


1	A	B	C	D	E	F	G	H	I
2	Turbine Hill			 Johannesburg Water					
3	65 Ntomi Pillao								
4	Newtown								
5	P O Box 61542								
6	Marshalltown 2107								
7	Tel : (011) 688-1400 Fax : (011) 688-1556								
8									
9		INITIATING DEPARTMENT	INITIATOR						
10									
11		QUOTATION REFERENCE	COLLECTIVE NO.						
12									
13		RFQJW064NS26-Supply and Delivery of Head of Works Panels for Screens and Compactors							
14		QUOTATION REQUESTED FROM							
15									
16									
17									
18									
19									
20									
21		Supply and Delivery of Head of Works Panels for Screens and Compactors		DESCRIPTION OF ITEM OFFERED	UOM	QTY REQUIRED	PRICE QUOTED EXCL. OF V.A.T.	DISCOUNT	PRICE QUOTED INCL. OF V.A.T.
22									
23	1.	Supply and Delivery of Head of Works Panels for Screens and Compactors			Sum	1			
24									
25									
26									
27									
28									
29									
30		Businesses located in a Region within COJ, COJ Municipality or Gauteng Province	20						
31									
32		CONTACT PERSON : Phakamani Dube @ 082 326 6066							
33		NB: All supplier responding to RFQ's should use their own company letterhead not JW RFQ							
34									
35		QUOTATION REF AS ABOVE: RFQ JW Supply & Deliver HOW Panels for Screens and Compactors							
36		NB: All suppliers responding to RFQs should use their own company letter head not JW RFQ Template AND MAKE SURE THEIR EMAIL ADDRESS IS VISIBLE ON THEIR QUOTATION.							
37		NB: A copy of valid lease agreement or municipal account(not older than 90 days) should be submitted with a quote							
38		NB: MBD forms attached should be completed and submitted with the quote							
39		NB: All Quotes should be on PDF (MS WORD, MS EXCEL, PICTURES ARE NOT ALLOWED)							
40		NB: Copy of valid BBBEE CERTIFICATE or SWORN AFFIDAVIT to be submitted with the quote							
41		PLEASE NOTE THAT SUBMISSIONS MUST BE MADE ON THE E-TENDER PORTAL (https://www.etenders.gov.za). NO EMAIL SUBMISSIONS WILL BE ACCEPTED.							
42		SUPPLIER DETAILS							
43	OFFICIAL STAMP								
44		AUTHORISED BY:							
45		SIGNATURE:.....							
46		DATE:							
47									



PAGE NO.	
CLOSING DATE AND TIME	
13-Mar-26	16:00
Date of Issue	
6-Mar-26	
QUOTATION DATE	VALIDITY
60 DAYS	7 DAYS

QUOTATIONS WILL BE EVALUATED ON THE 80/20 POINT SCORING SYSTEM. 80 POINTS WILL BE ALLOCATED TO PRICE AND THE REMAINING 20 POINTS WILL BE ALLOCATED FOR SPECIFIC GOALS AS PER PPPFA 2022

ALL SUPPLIERS RESPONDING TO QUOTATIONS SHOULD BE REGISTERED ON CENTRAL SUPPLIER DATABASE (CSD)

JW SCM Contact Person : Nompumedzo Sobhekwa

Telephone Number : 011 688 1656

DESCRIPTION OF ITEM OFFERED	UOM	QTY REQUIRED	PRICE QUOTED EXCL. OF V.A.T.	DISCOUNT	PRICE QUOTED INCL. OF V.A.T.
Sum		1			

1. QUOTATIONS RECEIVED AFTER CLOSE OF BUSINESS ON THE CLOSING DATE WILL NOT BE ACCEPTED.
2. QUOTATIONS WITHOUT BRAND NAMES WHERE REQUIRED WILL NOT BE ACCEPTED
3. PRICES QUOTED MUST BE AS PER THE UNIT INDICATED AND BE EXCLUDED OF VAT
4. ACCEPTANCE OF A QUOTATION WILL BE SUBJECT TO JOHANNESBURG WATER'S SUPPLY CHAIN POLICY
5. TOTAL QUOTATION VALUE TO INCLUDE VAT WHERE APPLICABLE

REFURBISHMENT OF UNIT 01, 03, 04 AND 05 REST ROOMS

No.	DESCRIPTION	UNIT	QTY	RATE
SECTION A : Material Supply and Delivery				
1	<p>Supply and deliver Screening Compactor with inner door (Forward & Reverse) refer to typical MCC drawing no.81MP33780 Sheet 74 of 78 and sheet 75 of 78</p> <p>(a) The enclosure shall be manufactured from 2mm thick from 3CR12 stainless steel (b) The enclosure shall be rated IP65 to SANS 60529 and shall be fitted with a canopy. (c) The enclosure shall be painted electric orange (B26) (d) Outer doors shall be provided with a high-density neoprene gasket to form a firm seal. The neoprene seal shall be a nominal 5mm thick compressed to 3mm on closing of the door (e) At least one of these latches shall be lockable with a padlock</p>	each	3	
2	<p>Supply and deliver Mechanical Screen with inner door (Forward & Reverse) refer to typical MCC drawing no.81MP33780 Sheet 18 of 78 and sheet 19 of 78</p> <p>(a) The enclosure shall be manufactured from 2mm thick from 3CR12 stainless steel. (b) The enclosure shall be rated IP65 to SANS 60529 and shall be fitted with a canopy. (c) The enclosure shall be painted electric orange (B26) (d) Outer doors shall be provided with a high-density neoprene gasket to form a firm seal. The neoprene seal shall be a nominal 5mm thick compressed to 3mm on closing of the door (e) At least one of these latches shall be lockable with a padlock</p>	each	3	
3	<p>Supply and deliver pedestal to mount the above starter panels at least 1100mm above floor level.</p> <p>(1) The pedestal material shall be Stainless steel (3CR12) and have minimum thickness of 6mm. (2)The pedestal shall be painted electric orange (B26).</p>	each	6	
Total Section A				
4	Quality Control Plan and FAT	sum	1	
Total Section B				
		SUB-TOTAL (A + B)		
		VAT		
		TOTAL		

RFQ Evaluation Criteria

NO.	MANDATORY CRITERIA	YES/NO
1.	BOQ completed in full by the bidder	
2.	Contractor submitted proof of at least one completed project whereby the scope of work was to supply and deliver MCC (completion certificate or reference letter signed by the client: with working contact details of the client, email and telephone numbers)	

EQUIPMENT LIST

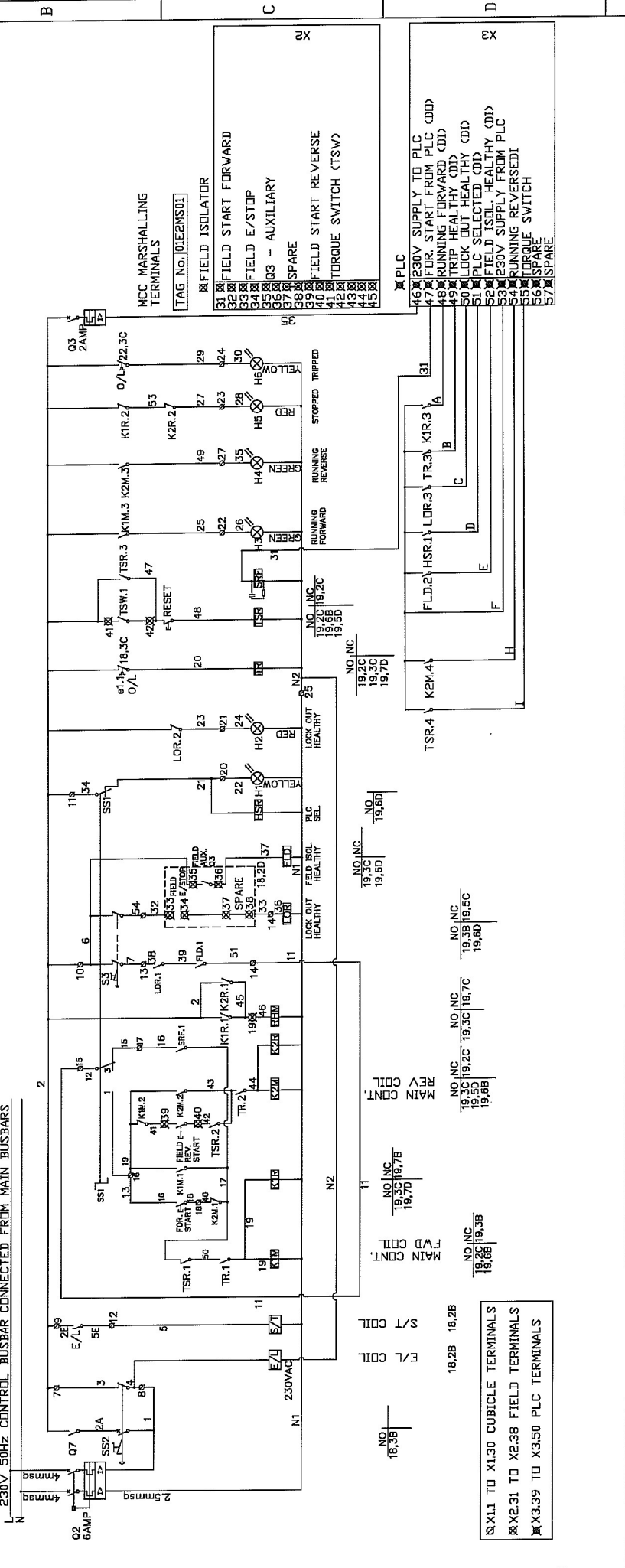
07	430096 FDI60 3P 12.5A (FIND) 50KA MCCB	GE
02	674633 2P 6A 6KA MCB (CONTROL)	GE
01	THERMAL OVERLOAD (2.5 - 4.1A)	GE
D/L	MANUAL/OFF/PLC SELECTOR SWITCH	ACDC
SS1	STOP TO RELEASE EMERGENCY/STOP	ACDC
SS2	START TO RELEASE EMERGENCY/STOP	ACDC
S2	START PUSHBUTTON (GREEN)	ACDC
S3	STOP TO RELEASE EMERGENCY/STOP	ACDC

EQUIPMENT LIST

KIM	104054 AC3 (FDR) CONTACTOR	GE
K2M	104054 AC3 (REV) CONTACTOR	GE
H1	YELLOW INDICATION LAMP (PLC SEL.)	ACDC
H2	RED INDICATION LAMP (LOCKED OUT)	ACDC
H3	GREEN INDICATION LAMP (TRIPPING)	ACDC
H4	YELLOW INDICATION LAMP (STOPPED)	ACDC
H5	YELLOW INDICATION LAMP (TRIPPED)	ACDC
KIR	AUXILIARY RELAY	ACDC
K2R	AUXILIARY RELAY	ACDC
TSW	TURBU SWITCH	ACDC
TSR	TURBU SWITCH RELAY	ACDC

EQUIPMENT LIST

LDR	LOCKED OUT RELAY	ACDC
TR	TRIP RELAY	ACDC
SRF	START RELAY FORWARD	ACDC
E/L	FIELD HEALTHY INDICATION	ACDC
E/L	EARTH LEAKAGE	PT
Q2&Q3	FIELD ISOLATOR-AUXILIARY	GE
RHM	RUNNING HOUR METER	ACDC
LSR	HAND SWITCH RELAY	ACDC
G3	674598 IP 2A 6KA MCB	GE

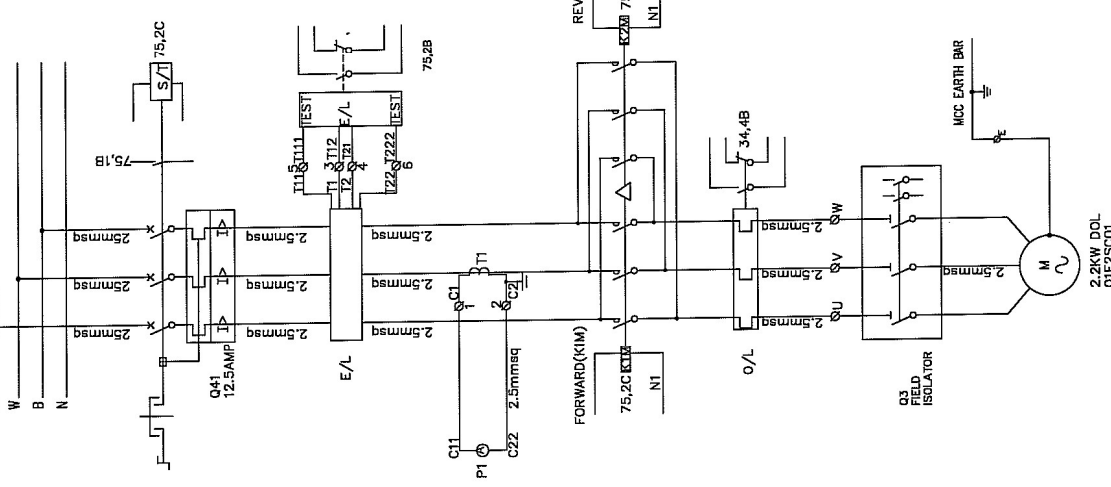


DATE	16/10/13
DRAWN	K.S
CHK'D S.K.	
APP'D.	
FOR APPROVAL	15/11/2013
AS PER TYPICAL DRW.	10/01/2014
ENG. COMMENTS	21/07/2014
REFERENCE	3
SEPARATED FIELD AND LOCK OUT	4
THIS DRAWING AND DESIGN IS THE PROPERTY OF ACTOM SOUTH AFRICA LTD. TRANSMISSION & DISTRIBUTION LOW VOLTAGE SWITCHGEAR AND ALL RIGHTS RESERVED. PASSED ON TO ANY THIRD PARTY WITHOUT AUTHORITY IN WRITING FROM ACTOM SOUTH AFRICA (Pty) Ltd	
ACTOM PROTECTION & CONTROL	
TITLE JW9042-EE-019 & 020 HEAD OF WORKS MCC001 MECHANICAL SCREEN NO.1 1.1KW FORWARD AND REVERSE CUBICLE No.C2	
DRAWING NUMBER	81MP33780
WORKS o/n:	81MP33780 CUST. o/n
DIV.	LVSWG
SCALE	DRAWN
SHEET	19 of 78
CAD	

0 1 2 3 4 5 6 7 8 9

A B C D E

R 400V 20KA 4WIRE 50Hz DROPPER BUSBAR



EQUIPMENT LIST

Q41	430096	FD160	3P 12.5A (FDN)	50KA	MCCB	GE
E/L			EARTH LEAKAGE			PT
P1			10/5A		AMMETER	ACORP
T1			10/5A		CT'S	ACDC
S/T			SHUNT TRIP			ACDC

A WIRE PREFIX *- TO BE A CUBICLE No.
 NB: TERMINAL No. TO BE MARKED THE SAME
 AS THE WIRE No.

DATE	17/07/14
DRAWN	K.S
CHK'D S.K.	
APP'D.	
FOR APPROVAL	15/11/2013
AS PER TYPICAL DRW.	10/01/2014
ENG. COMMENTS	21/07/2014
ADDED COMPONENTS	REFERENCE

(C) THIS DRAWING AND DESIGN IS THE PROPERTY OF ACTOM SOUTH AFRICA (PTY) LTD TRANSMISSION & DISTRIBUTION AND LOW VOLTAGE SWITCHGEAR AND MUST NOT BE COPIED OR PASSED ON TO ANY THIRD PARTY WITHOUT AUTHORITY IN WRITING FROM ACTOM SOUTH AFRICA (PTY) LTD

ACTOM

PROTECTION & CONTROL

TITLE	JW9042-EE-019 & 020 HEAD OF WORKS MCC001 SCREENINGS COMPACTOR NO.1 (FORWARD & REVERSE)
WORKS o/n:	81MP33780
DRAWING NUMBER	81MP33780
DIV.	LVSWG
CUST. o/n	

SHEET	74 of 78	CAD
SCALE		NTS
DRAWN		KS
CHECKED		SK
APPROVED		SK

EQUIPMENT LIST

LOR	LOCKED OUT RELAY	ACDC
TR	TRIP RELAY	ACDC
SRF	START RELAY FORWARD	ACDC
FLJ	FIELD HEALTHY INDICATION	ACDC
E/L	EARTH LEAKAGE	PI
G2R03	FIELD ISOLATOR-AUXILIARY	ACDC
RHM	RUNNING HOUR METER	ACDC
HSR	HAND SWITCH RELAY	ACDC
G3	674598 1P 2A 6KA MCB	GE

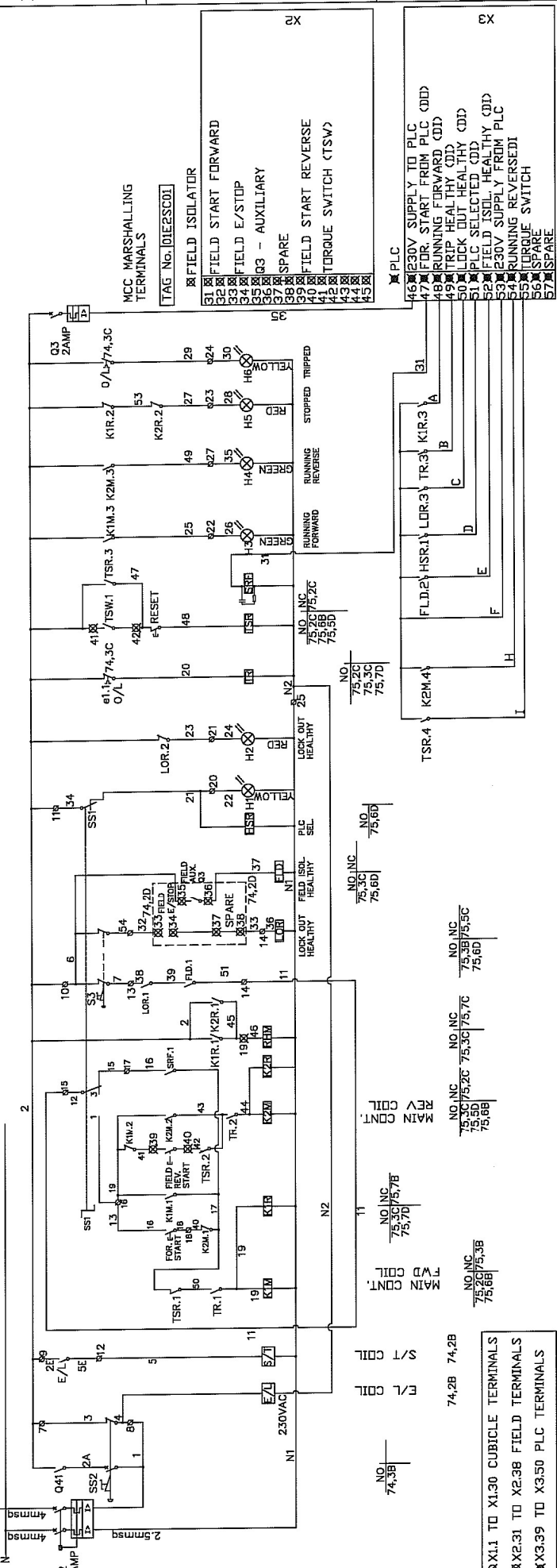
EQUIPMENT LIST

KIM	104054 AC3 (FORV) CONTACTOR	GE
K2M	104054 AC3 (REV) CONTACTOR	GE
H1	YELLOW INDICATION LAMP (PLC SEL.)	ACDC
H2	RED INDICATION LAMP (LOCKED OUT)	ACDC
H3	GREEN INDICATION LAMP (RUNNING)	ACDC
H4	RED INDICATION LAMP (STOPPED)	ACDC
H5	YELLOW INDICATION LAMP (TRIPPED)	ACDC
KIR	AUXILIARY RELAY	ACDC
K2R	AUXILIARY RELAY	ACDC
TSR	TORQUE SWITCH RELAY	ACDC
TSR	TORQUE SWITCH RELAY	ACDC

EQUIPMENT LIST

G41	430096 FDI60 3P 12.5A (FDND) 50KA MCB	GE
G2	674633 2P 6A 6KA MCB (CONTROL)	GE
D/L	THERMAL DIVERIDAD (4 - 6.3A)	GE
SS1	MANUAL/OFF/PLC SELECTOR SWITCH	ACDC
SS2	TSVIST TO RELEASE EMERGENCY/STOP	ACDC
S2	START TO RELEASE EMERGENCY/STOP	ACDC
S3	TSVIST TO RELEASE EMERGENCY/STOP	ACDC

1- 230V 50Hz CONTROL BUSBAR CONNECTED FROM MAIN BUSBARS



DATE	16/10/13	DRAWN	KS	CHK'D S.K.	APP'D.	FOR APPROVAL	15/11/2013	AS PER TYPICAL DRW.	10/01/2014	ENG. COMMENTS	21/07/2014	ENG. COMMENTS	REFERENCE	3	4	SEPARATED FIELD AND LOCK OUT	03/10/14
<p style="text-align: center;">ACTOM PROTECTION & CONTROL</p> <p style="text-align: center;">THIS DRAWING AND DESIGN ACTOM SOUTH AFRICA (PTY) LTD TRANSMISSION & DISTRIBUTION AND MUST NOT BE COPIED OR PASSED ON TO ANY THIRD PARTY WITHOUT THE WRITTEN PERMISSION FROM ACTOM SOUTH AFRICA (PTY) LTD</p>																	
<p style="text-align: center;">TITLE JW9042-EE-019 & 020 HEAD OF WORKS MCC001 SCREENINGS COMPACTOR No.1 (FORWARD & REVERSE) 2.2KW DOL CUBICLE No.N2 DRAWING 81MP33780 NUMBER WORKS o/n: 81MP33780 CUST. o/n</p>																	
<p style="text-align: center;">SHEET 75 of 78 SCALE DRAWN CHECKED APPROVED</p>																	
<p style="text-align: center;">CAD NTS KS SK</p>																	

Guide: How to submit a response on the E-tender Portal

- Submit on E tender portal, following the below:
 1. (<https://www.etenders.gov.za/>)
 2. Search/Click Browse Opportunities by organ of state (Johannesburg Water)/search by RFQ reference number .
 3. Click the **+ sign** to expand the tender/ RFQ information.
 4. start the e submission process.
 5. Supplier login
 6. Use your CSD Credentials to Login. Contact CSD on (csd@treasury.gov.za) in case you forgot your login credentials. “My profile should show if you have logged in successfully”.
 7. select supplier.
 8. check the submission checklist and attached the compulsory documents.
 9. confirm and proceed .

If the application is not going through on the E-tender portal Contact:

eTenders Contact Centre

+27(0)12 406 9222 / 012 406-9229 / 012 312-5000

etenders@treasury.gov.za

<https://etenders.treasury.gov.za>

POPIA PRIVACY STATEMENT

Johannesburg Water SOC Limited

In terms of the Protection of Personal Information Act, 213 (Act 4 of 2013), also called the POPI Act or POPIA, Johannesburg Water SOC Limited, undertakes all reasonable measures to protect personal information and to keep it private and confidential.

1. Privacy Notice applies to:

Suppliers, vendors, contractors, service providers, etc whether appointed or prospective.

2. Definitions of personal information

According to the Act “personal information” means information relating to an identifiable living, natural person, and where it is applicable, an identifiable, existing juristic person. All addresses including residential, postal and email addresses.

3. About the Public Entity

Johannesburg Water (SOC) Limited, registration number 2000/029271/30

3.1 The information we collect

We collect information directly from you where you provide us with your personal details. Where possible, we will inform you what information you are required to provide to us and what information is optional.

3.2 How Johannesburg Water use your information

We will use your personal information only for the purposes for which it was collected and agreed with you. For example: to gather contact information, to confirm and verify your identity, for the evaluation and adjudication of bids and quotations for tenders, request for quotations, and other personal information for the procurement of goods and services by the Entity.

3.3 Disclosure of information

We may disclose your personal information to our Shareholder, the City of Johannesburg, and other Government agencies such as National Treasury, and the Auditor-General of South Africa. We have agreements in place to ensure that they comply with the privacy requirements as required by the Protection of Personal Information Act.

We may also disclose your information:

- Where we have a duty or a right to disclose in terms of law;
- Where we believe it is necessary to protect our rights.

3.4 Information Security

We are legally obliged to provide adequate protection for the personal information we hold and to stop unauthorised access and use of personal information. We will, on an ongoing basis, continue to review our security

POPIA PRIVACY STATEMENT

Johannesburg Water SOC Limited

controls and related processes to ensure that your personal information remains secure.

When we contract with third parties, we impose appropriate security, privacy and confidentiality obligations on them to ensure that personal information that we remain responsible for, is kept secure. We will ensure that anyone whom we pass your personal information agrees to treat your information with the same level of protection as we are obliged to.

3.5 Your rights: Access to Information

You have the right to request a copy of the personal information we hold about you. To do this, simply contact us at informationofficer@jwater.co.za, and specify what information you require.

3.6 Correction of your personal information

You have the right to ask us to update, correct or delete your personal information. We will require a copy of your identification document to confirm your identity before making changes to personal information we may hold about you. We would appreciate it if you would keep your personal information accurate and up to date.

3.7 How to contact us

If you have any queries about this document; you need further information about our privacy practices; wish to withdraw consent; exercise preferences or access or correct your personal information, please contact us at the numbers listed on our website or send an email to informationofficer@jwater.co.za.



a world class African city



City of Johannesburg

Johannesburg Water SOC Ltd

Turbine Hall
65 Ntengi Piliso Street
Newtown
Johannesburg

Johannesburg Water
PO Box 61542
Marshalltown
2107

Tel +27(0) 11 688 1400
Fax +27(0) 11 688 1528

www.johannesburgwater.co.za

PLEASE SUPPLY THE FOLLOWING DOCUMENTS TO ENABLE US TO EVALUATE YOUR SUBMISSION :			
Returnable Documents	Description	Yes/No	
1	Original Valid Tax Clearance Certificate /valid SARS PIN		COMPULSORY
2	A, certified /original/valid, BBEE certificate /sworn affidavit (Please note that the Sworn Affidavit must be compliant as per B-BBEE Practice Guide 01 of 2018 , NON COMPLIANT AFFIDAVIT WILL BE SCORED ZERO)		COMPULSORY
3	Municipal rates and taxes (Must not be older than 90 days in arrears in line with regulation 38.		COMPULSORY
4	Signed Declaration of Interest form (MBD 4)		COMPULSORY
5	Declaration of Bidders past supply chain management practices (MBD 8)		COMPULSORY
6	Certificate of Independent Proposal Determination (MBD 9)		COMPULSORY
7	Proof of CSD registration /MAAA Supplier Number		COMPULSORY
8	Preference points claim form in terms of the preferential procurement regulations 2022 (MBD 6.1)		COMPULSORY
9	Company registration documents with ID copies of directors / shareholders.		COMPULSORY

Directors:

Ms Gugulethu Phakathi (Chairperson), Mr Ntshavheni Mukwevho (Managing Director and Executive Director),
Mr Johan Koekemoer (Financial Director and Executive Director), Mr Phetole Modika, Mr Siphamandla Mnyani, Mr Siyabonga Mthembu,
Mrs Zandile Meeleso, Mr Pholoso Matjele, Mr Kgaile Mogoye, Mr Sandiso Mgengwana, Mr Molate Mashifane, Ms Pamela Mabece,
Mr Lunga Bernard

Ms Kethabile Mabe (Company Secretary),
Johannesburg Water SOC Ltd
Registration Number: 2000/029271/30

MBD 4

DECLARATION OF INTEREST

1. No bid will be accepted from persons in the service of the state¹.
2. Any person, having a kinship with persons in the service of the state, including a blood relationship, may make an offer or offers in terms of this invitation to bid. In view of possible allegations of favouritism, should the resulting bid, or part thereof, be awarded to persons connected with or related to persons in service of the state, it is required that the bidder or their authorised representative declare their position in relation to the evaluating/adjudicating authority.

3 In order to give effect to the above, the following questionnaire must be completed and submitted with the bid.

3.1 Full Name of bidder or his or her representative:.....

3.2 Identity Number:

3.3 Position occupied in the Company (director, trustee, shareholder²):.....

3.4 Company Registration Number:

3.5 Tax Reference Number:.....

3.6 VAT Registration Number:

3.7 The names of all directors / trustees / shareholders members, their individual identity numbers and state employee numbers must be indicated in paragraph 4 below.

3.8 Are you presently in the service of the state? **YES / NO**

3.8.1 If yes, furnish particulars.

.....

¹MSCM Regulations: "in the service of the state" means to be –

- (a) a member of –
 - (i) any municipal council;
 - (ii) any provincial legislature; or
 - (iii) the national Assembly or the national Council of provinces;
- (b) a member of the board of directors of any municipal entity;
- (c) an official of any municipality or municipal entity;
- (d) an employee of any national or provincial department, national or provincial public entity or constitutional institution within the meaning of the Public Finance Management Act, 1999 (Act No.1 of 1999);
- (e) a member of the accounting authority of any national or provincial public entity; or
- (f) an employee of Parliament or a provincial legislature.

² Shareholder" means a person who owns shares in the company and is actively involved in the management of the company or business and exercises control over the company.

3.9 Have you been in the service of the state for the past twelve months? **YES / NO**

3.9.1 If yes, furnish particulars.....

.....

3.10 Do you have any relationship (family, friend, other) with persons in the service of the state and who may be involved with the evaluation and or adjudication of this bid?..... **YES / NO**

3.10.1 If yes, furnish particulars.

.....
.....

3.11 Are you, aware of any relationship (family, friend, other) between any other bidder and any persons in the service of the state who may be involved with the evaluation and or adjudication of this bid? **YES / NO**

3.11.1 If yes, furnish particulars

.....
.....

3.12 Are any of the company's directors, trustees, managers, principle shareholders or stakeholders in service of the state? **YES / NO**

3.12.1 If yes, furnish particulars.

.....
.....

3.13 Are any spouse, child or parent of the company's directors trustees, managers, principle shareholders or stakeholders in service of the state? **YES / NO**

3.13.1 If yes, furnish particulars.

.....
.....

3.14 Do you or any of the directors, trustees, managers, principle shareholders, or stakeholders of this company have any interest in any other related companies or business whether or not they are bidding for this contract. **YES / NO**

3.14.1 If yes, furnish particulars:

.....
.....

4. Full details of directors / trustees / members / shareholders.

Full Name	Identity Number	State Employee Number

.....
Signature

.....
Date

.....
Capacity

.....
Name of Bidder

**PREFERENCE POINTS CLAIM FORM IN TERMS OF THE PREFERENTIAL
PROCUREMENT REGULATIONS 2022**

This preference form must form part of all tenders invited. It contains general information and serves as a claim form for preference points for specific goals.

1. GENERAL CONDITIONS

- 1.1 The following preference point systems are applicable to invitations to tender:
- the 80/20 system for requirements with a Rand value of up to R50 000 000 (all applicable taxes included); and

1.2 To be completed by the organ of state

- a) The applicable preference point system for this tender is the 80/20 preference point system.

- 1.3 Points for this tender (even in the case of a tender for income-generating contracts) shall be awarded for:

- (a) Price; and
- (b) Specific Goals.

1.4 To be completed by the organ of state:

The maximum points for this tender are allocated as follows:

	POINTS
PRICE	80
SPECIFIC GOALS	20
Total points for Price and SPECIFIC GOALS	100

- 1.5 Failure on the part of a tenderer to submit proof or documentation required in terms of this tender to claim points for specific goals with the tender, will be interpreted to mean that preference points for specific goals are not claimed.

- 1.6 The organ of state reserves the right to require of a tenderer, either before a tender is adjudicated or at any time subsequently, to substantiate any claim in regard to preferences, in any manner required by the organ of state.

2. DEFINITIONS

- (a) “**tender**” means a written offer in the form determined by an organ of state in response to an invitation to provide goods or services through price quotations, competitive tendering process or any other method envisaged in legislation;

- (b) “**price**” means an amount of money tendered for goods or services, and includes all applicable taxes less all unconditional discounts;
- (c) “**rand value**” means the total estimated value of a contract in Rand, calculated at the time of bid invitation, and includes all applicable taxes;
- (d) “**tender for income-generating contracts**” means a written offer in the form determined by an organ of state in response to an invitation for the origination of income-generating contracts through any method envisaged in legislation that will result in a legal agreement between the organ of state and a third party that produces revenue for the organ of state, and includes, but is not limited to, leasing and disposal of assets and concession contracts, excluding direct sales and disposal of assets through public auctions; and
- (e) “**the Act**” means the Preferential Procurement Policy Framework Act, 2000 (Act No. 5 of 2000).

3. FORMULAE FOR PROCUREMENT OF GOODS AND SERVICES

3.1. POINTS AWARDED FOR PRICE

3.1.1 THE 80/20 PREFERENCE POINT SYSTEMS

A maximum of 80 points is allocated for price on the following basis:

80/20

$$Ps = 80 \left(1 - \frac{Pt - Pmin}{Pmin} \right)$$

Where

- Ps = Points scored for price of tender under consideration
- Pt = Price of tender under consideration
- Pmin = Price of lowest acceptable tender

3.1.1. POINTS AWARDED FOR PRICE

A maximum of 80 points is allocated for price on the following basis:

80/20

$$Ps = 80 \left(1 + \frac{Pt - Pmax}{Pmax} \right) \circ$$

Where

- Ps = Points scored for price of tender under consideration
- Pt = Price of tender under consideration
- Pmax = Price of highest acceptable tender

4. POINTS AWARDED FOR SPECIFIC GOALS

4.1. In terms of Regulation 4(2); 5(2); 6(2) and 7(2) of the Preferential Procurement Regulations, preference points must be awarded for specific goals stated in the tender. For the purposes of this tender the tenderer will be allocated points based on the goals stated in table 1 below as may be supported by proof/ documentation stated in the conditions of this tender:

Table 1: Specific goals for the tender and points claimed are indicated per the table below.

Note to tenderers: The tenderer must indicate how they claim points for each preference point system.)

The specific goals allocated points in terms of this tender	Number of points allocated (80/20 system)	Number of points claimed (80/20 system)	Proof of documents per specific goals
Businesses located in a Region within COJ, COJ Municipality or Gauteng Province	20		Proof of municipal account / valid lease agreement, letter from the Ward Council confirming the business address.

DECLARATION WITH REGARD TO COMPANY/FIRM

4.2. Name of company/firm.....

4.3. Company registration number:

4.4. TYPE OF COMPANY/ FIRM

- Partnership/Joint Venture / Consortium
- One-person business/sole propriety
- Close corporation
- Public Company
- Personal Liability Company
- (Pty) Limited
- Non-Profit Company
- State Owned Company

[TICK APPLICABLE BOX]

4.5. I, the undersigned, who is duly authorised to do so on behalf of the company/firm, certify that the points claimed, based on the specific goals as advised in the tender, qualifies the company/ firm for the preference(s) shown and I acknowledge that:

- i) The information furnished is true and correct;
- ii) The preference points claimed are in accordance with the General Conditions as indicated in paragraph 1 of this form;
- iii) In the event of a contract being awarded as a result of points claimed as shown in paragraphs 1.4 and 4.2, the contractor may be required to furnish documentary proof to the satisfaction of the organ of state that the claims are correct;
- iv) If the specific goals have been claimed or obtained on a fraudulent basis or any of the conditions of contract have not been fulfilled, the organ of state may, in addition to any other remedy it may have –

- (a) disqualify the person from the tendering process;
- (b) recover costs, losses or damages it has incurred or suffered as a result of that person's conduct;
- (c) cancel the contract and claim any damages which it has suffered as a result of having to make less favourable arrangements due to such cancellation;
- (d) recommend that the tenderer or contractor, its shareholders and directors, or only the shareholders and directors who acted on a fraudulent basis, be restricted from obtaining business from any organ of state for a period not exceeding 10 years, after the *audi alteram partem* (hear the other side) rule has been applied; and
- (e) forward the matter for criminal prosecution, if deemed necessary.

.....	
SIGNATURE(S) OF TENDERER(S)	
SURNAME AND NAME:
DATE:
ADDRESS:

DECLARATION OF BIDDER'S PAST SUPPLY CHAIN MANAGEMENT PRACTICES

- 1 This Municipal Bidding Document must form part of all bids invited.
- 2 It serves as a declaration to be used by municipalities and municipal entities in ensuring that when goods and services are being procured, all reasonable steps are taken to combat the abuse of the supply chain management system.
- 3 The bid of any bidder may be rejected if that bidder, or any of its directors have:
 - a. abused the municipality's / municipal entity's supply chain management system or committed any improper conduct in relation to such system;
 - b. been convicted for fraud or corruption during the past five years;
 - c. willfully neglected, reneged on or failed to comply with any government, municipal or other public sector contract during the past five years; or
 - d. been listed in the Register for Tender Defaulters in terms of section 29 of the Prevention and Combating of Corrupt Activities Act (No 12 of 2004).
- 4 **In order to give effect to the above, the following questionnaire must be completed and submitted with the bid.**

Item	Question	Yes	No
4.1	<p>Is the bidder or any of its directors listed on the National Treasury's Database of Restricted Suppliers as companies or persons prohibited from doing business with the public sector?</p> <p>(Companies or persons who are listed on this Database were informed in writing of this restriction by the Accounting Officer/Authority of the institution that imposed the restriction after the <i>audi alteram partem</i> rule was applied).</p> <p>The Database of Restricted Suppliers now resides on the National Treasury's website(www.treasury.gov.za) and can be accessed by clicking on its link at the bottom of the home page.</p>	Yes <input type="checkbox"/>	No <input type="checkbox"/>
4.1.1	If so, furnish particulars:		
4.2	<p>Is the bidder or any of its directors listed on the Register for Tender Defaulters in terms of section 29 of the Prevention and Combating of Corrupt Activities Act (No 12 of 2004)?</p> <p>The Register for Tender Defaulters can be accessed on the National Treasury's website (www.treasury.gov.za) by clicking on its link at the bottom of the home page.</p>	Yes <input type="checkbox"/>	No <input type="checkbox"/>
4.2.1	If so, furnish particulars:		
4.3	<p>Was the bidder or any of its directors convicted by a court of law (including a court of law outside the Republic of South Africa) for fraud or corruption during the past five years?</p>	Yes <input type="checkbox"/>	No <input type="checkbox"/>

4.3.1	If so, furnish particulars:		
Item	Question	Yes	No
4.4	Does the bidder or any of its directors owe any municipal rates and taxes or municipal charges to the municipality / municipal entity, or to any other municipality / municipal entity, that is in arrears for more than three months?	Yes <input type="checkbox"/>	No <input type="checkbox"/>
4.4.1	If so, furnish particulars:		
4.5	Was any contract between the bidder and the municipality / municipal entity or any other organ of state terminated during the past five years on account of failure to perform on or comply with the contract?	Yes <input type="checkbox"/>	No <input type="checkbox"/>
4.7.1	If so, furnish particulars:		

CERTIFICATION

**I, THE UNDERSIGNED (FULL NAME)
CERTIFY THAT THE INFORMATION FURNISHED ON THIS
DECLARATION FORM TRUE AND CORRECT.**

**I ACCEPT THAT, IN ADDITION TO CANCELLATION OF A CONTRACT,
ACTION MAY BE TAKEN AGAINST ME SHOULD THIS DECLARATION
PROVE TO BE FALSE.**

.....
Signature

.....
Date

.....
Position

.....
Name of Bidder

CERTIFICATE OF INDEPENDENT BID DETERMINATION

- 1 This Municipal Bidding Document (MBD) must form part of all bids¹ invited.

- 2 Section 4 (1) (b) (iii) of the Competition Act No. 89 of 1998, as amended, prohibits an agreement between, or concerted practice by, firms, or a decision by an association of firms, if it is between parties in a horizontal relationship and if it involves collusive bidding (or bid rigging).² Collusive bidding is a *pe se* prohibition meaning that it cannot be justified under any grounds.

- 3 Municipal Supply Regulation 38 (1) prescribes that a supply chain management policy must provide measures for the combating of abuse of the supply chain management system, and must enable the accounting officer, among others, to:
 - a. take all reasonable steps to prevent such abuse;
 - b. reject the bid of any bidder if that bidder or any of its directors has abused the supply chain management system of the municipality or municipal entity or has committed any improper conduct in relation to such system; and
 - c. cancel a contract awarded to a person if the person committed any corrupt or fraudulent act during the bidding process or the execution of the contract.

- 4 This MBD serves as a certificate of declaration that would be used by institutions to ensure that, when bids are considered, reasonable steps are taken to prevent any form of bid-rigging.

- 5 In order to give effect to the above, the attached Certificate of Bid Determination (MBD 9) must be completed and submitted with the bid:

¹ Includes price quotations, advertised competitive bids, limited bids and proposals.

² Bid rigging (or collusive bidding) occurs when businesses, that would otherwise be expected to compete, secretly conspire to raise prices or lower the quality of goods and / or services for purchasers who wish to acquire goods and / or services through a bidding process. Bid rigging is, therefore, an agreement between competitors not to compete.

CERTIFICATE OF INDEPENDENT BID DETERMINATION

I, the undersigned, in submitting the accompanying bid:

(Bid Number and Description)

in response to the invitation for the bid made by:

(Name of Municipality / Municipal Entity)

do hereby make the following statements that I certify to be true and complete in every respect:

I certify, on behalf of: _____ that:

(Name of Bidder)

1. I have read and I understand the contents of this Certificate;
2. I understand that the accompanying bid will be disqualified if this Certificate is found not to be true and complete in every respect;
3. I am authorized by the bidder to sign this Certificate, and to submit the accompanying bid, on behalf of the bidder;
4. Each person whose signature appears on the accompanying bid has been authorized by the bidder to determine the terms of, and to sign, the bid, on behalf of the bidder;
5. For the purposes of this Certificate and the accompanying bid, I understand that the word "competitor" shall include any individual or organization, other than the bidder, whether or not affiliated with the bidder, who:
 - (a) has been requested to submit a bid in response to this bid invitation;
 - (b) could potentially submit a bid in response to this bid invitation, based on their qualifications, abilities or experience; and
 - (c) provides the same goods and services as the bidder and/or is in the same line of business as the bidder

6. The bidder has arrived at the accompanying bid independently from, and without consultation, communication, agreement or arrangement with any competitor. However communication between partners in a joint venture or consortium³ will not be construed as collusive bidding.
7. In particular, without limiting the generality of paragraphs 6 above, there has been no consultation, communication, agreement or arrangement with any competitor regarding:
 - (a) prices;
 - (b) geographical area where product or service will be rendered (market allocation)
 - (c) methods, factors or formulas used to calculate prices;
 - (d) the intention or decision to submit or not to submit, a bid;
 - (e) the submission of a bid which does not meet the specifications and conditions of the bid; or
 - (f) bidding with the intention not to win the bid.
8. In addition, there have been no consultations, communications, agreements or arrangements with any competitor regarding the quality, quantity, specifications and conditions or delivery particulars of the products or services to which this bid invitation relates.
9. The terms of the accompanying bid have not been, and will not be, disclosed by the bidder, directly or indirectly, to any competitor, prior to the date and time of the official bid opening or of the awarding of the contract.

³ Joint venture or Consortium means an association of persons for the purpose of combining their expertise, property, capital, efforts, skill and knowledge in an activity for the execution of a contract.

10. I am aware that, in addition and without prejudice to any other remedy provided to combat any restrictive practices related to bids and contracts, bids that are suspicious will be reported to the Competition Commission for investigation and possible imposition of administrative penalties in terms of section 59 of the Competition Act No 89 of 1998 and or may be reported to the National Prosecuting Authority (NPA) for criminal investigation and or may be restricted from conducting business with the public sector for a period not exceeding ten (10) years in terms of the Prevention and Combating of Corrupt Activities Act No 12 of 2004 or any other applicable legislation.

.....
Signature

.....
Date

.....
Position

.....
Name of Bidder

Js9141w 4