



Water & Sanitation

Department: Construction East
Water & Sanitation
REPUBLIC OF SOUTH AFRICA

Request for Quotation

Item	Description	QTY
	Ref: RNS 16A SUPPLY AND DELIVERY OF EMBOSSED STAINLESS-STEEL MATERIAL MZIMVUBU WATER PROJECT IN THE EASTERN CAPE PROVINCE.	
Items description:		
1.	Paraplegic Stainless steel side bent grab rail 300x300x300mm	2
2.	Paraplegic Stainless-steel cistern grab rail 750mm	2
3.	Lockable Soap dispenser brushed s/steel 1.2L ASR-3	2
4.	Toilet roll holder lockable s/steel 2 roll round tp	6
5.	Straight female coupler 28mm	1
6.	Straight Male coupler 28mm	1
7.	Strainer fxt pn 16 20mm	1
8.	Stainless steel bin wall mounted/ 21L	2
9.	Stainless steel fold towel dispenser	2
10.	Expansion bolt M6X55	6
11.	Centrifugal booster pump with controller similar to Jetcom 82/ specification Attached	1
12.	Spring loaded non return valve cxc 22mm	1
13.	Reducer fitting ring set 28x22mm	2
14.	Booster Pump cover Grey	1
15.	Straight Male coupler 22mm	3
16.	Lever ball valve CxC DZR 22mm	1

Closing Date and Time:

10 JULY 2026 @ 11:00 AM

Contact Person: End-user:

Nicolus Mbambo – 060 475 8171

PART A
INVITATION TO BID

YOU ARE HEREBY INVITED TO BID FOR REQUIREMENTS OF THE (NAME OF DEPARTMENT/ PUBLIC ENTITY)					
BID NUMBER:	REF: RNS 16A	CLOSING DATE:	10 July 2026	CLOSING TIME:	11:00
DESCRIPTION	SUPPLY AND DELIVERY OF EMBOSSED STAINLESS-STEEL MATERIAL AT MZIMVUBU WATER PROJECT IN THE EASTERN CAPE PROVINCE.				
BID RESPONSE DOCUMENTS MAY BE DEPOSITED IN THE BID BOX SITUATED AT (STREET ADDRESS)					
Submit via email: MOLAPOJ@DWS.GOV.ZA					
Cc: Nkabindev@dws.gov.za;Gumedes2@dws.gov.za					
BIDDING PROCEDURE ENQUIRIES MAY BE DIRECTED TO			TECHNICAL ENQUIRIES MAY BE DIRECTED TO:		
CONTACT PERSON	JOYCE MOLAPO		CONTACT PERSON	Mr Nicolus Mbambo	
TELEPHONE NUMBER	047 879 0932		TELEPHONE NUMBER	060 475 8171	
FACSIMILE NUMBER	N/A		FACSIMILE NUMBER	N/A	
E-MAIL ADDRESS	MOLAPOJ@DWS.GOV.ZA		E-MAIL ADDRESS	MbamboN@dws.gov.za	
SUPPLIER INFORMATION					
NAME OF BIDDER					
POSTAL ADDRESS					
STREET ADDRESS					
TELEPHONE NUMBER	CODE		NUMBER		
CELLPHONE NUMBER					
FACSIMILE NUMBER	CODE		NUMBER		
E-MAIL ADDRESS					
VAT REGISTRATION NUMBER					
SUPPLIER COMPLIANCE STATUS	TAX COMPLIANCE SYSTEM PIN:		OR	CENTRAL SUPPLIER DATABASE No:	MAAA
<i>ARE YOU THE ACCREDITED REPRESENTATIVE IN SOUTH AFRICA FOR THE GOODS /SERVICES OFFERED?</i>	<input type="checkbox"/> Yes <input type="checkbox"/> No [IF YES ENCLOSE PROOF]		<i>ARE YOU A FOREIGN BASED SUPPLIER FOR THE GOODS /SERVICES OFFERED?</i>		<input type="checkbox"/> Yes <input type="checkbox"/> No [IF YES, ANSWER THE QUESTIONNAIRE BELOW]
QUESTIONNAIRE TO BIDDING FOREIGN SUPPLIERS					
IS THE ENTITY A RESIDENT OF THE REPUBLIC OF SOUTH AFRICA (RSA)?			<input type="checkbox"/> YES <input type="checkbox"/> NO		
DOES THE ENTITY HAVE A BRANCH IN THE RSA?			<input type="checkbox"/> YES <input type="checkbox"/> NO		
DOES THE ENTITY HAVE A PERMANENT ESTABLISHMENT IN THE RSA?			<input type="checkbox"/> YES <input type="checkbox"/> NO		
DOES THE ENTITY HAVE ANY SOURCE OF INCOME IN THE RSA?			<input type="checkbox"/> YES <input type="checkbox"/> NO		
IS THE ENTITY LIABLE IN THE RSA FOR ANY FORM OF TAXATION?			<input type="checkbox"/> YES <input type="checkbox"/> NO		
IF THE ANSWER IS "NO" TO ALL OF THE ABOVE, THEN IT IS NOT A REQUIREMENT TO REGISTER FOR A TAX COMPLIANCE STATUS SYSTEM PIN CODE FROM THE SOUTH AFRICAN REVENUE SERVICE (SARS) AND IF NOT REGISTER AS PER 2.3 BELOW.					

PART B

TERMS AND CONDITIONS FOR BIDDING

1. BID SUBMISSION:
1.1. BIDS MUST BE DELIVERED BY THE STIPULATED TIME TO THE CORRECT ADDRESS. LATE BIDS WILL NOT BE ACCEPTED FOR CONSIDERATION.
1.2. ALL BIDS MUST BE SUBMITTED ON THE OFFICIAL FORMS PROVIDED (NOT TO BE RE-TYPED) OR IN THE MANNER PRESCRIBED IN THE BID DOCUMENT.
1.3. THIS BID IS SUBJECT TO THE PREFERENTIAL PROCUREMENT POLICY FRAMEWORK ACT, 2000 AND THE PREFERENTIAL PROCUREMENT REGULATIONS 2022, THE GENERAL CONDITIONS OF CONTRACT (GCC) AND, IF APPLICABLE, ANY OTHER SPECIAL CONDITIONS OF CONTRACT.
1.4. THE SUCCESSFUL BIDDER WILL BE REQUIRED TO FILL IN AND SIGN A WRITTEN CONTRACT FORM (SBD7).
2. TAX COMPLIANCE REQUIREMENTS
2.1 BIDDERS MUST ENSURE COMPLIANCE WITH THEIR TAX OBLIGATIONS.
2.2 BIDDERS ARE REQUIRED TO SUBMIT THEIR UNIQUE PERSONAL IDENTIFICATION NUMBER (PIN) ISSUED BY SARS TO ENABLE THE ORGAN OF STATE TO VERIFY THE TAXPAYER'S PROFILE AND TAX STATUS.
2.3 APPLICATION FOR TAX COMPLIANCE STATUS (TCS) PIN MAY BE MADE VIA E-FILING THROUGH THE SARS WEBSITE WWW.SARS.GOV.ZA.
2.4 BIDDERS MAY ALSO SUBMIT A PRINTED TCS CERTIFICATE TOGETHER WITH THE BID.
2.5 IN BIDS WHERE CONSORTIA / JOINT VENTURES / SUB-CONTRACTORS ARE INVOLVED; EACH PARTY MUST SUBMIT A SEPARATE TCS CERTIFICATE / PIN / CSD NUMBER.
2.6 WHERE NO TCS PIN IS AVAILABLE BUT THE BIDDER IS REGISTERED ON THE CENTRAL SUPPLIER DATABASE (CSD), A CSD NUMBER MUST BE PROVIDED.
2.7 NO BIDS WILL BE CONSIDERED FROM PERSONS IN THE SERVICE OF THE STATE, COMPANIES WITH DIRECTORS WHO ARE PERSONS IN THE SERVICE OF THE STATE, OR CLOSE CORPORATIONS WITH MEMBERS PERSONS IN THE SERVICE OF THE STATE."

NB: FAILURE TO PROVIDE / OR COMPLY WITH ANY OF THE ABOVE PARTICULARS MAY RENDER THE BID INVALID.

SIGNATURE OF BIDDER:

.....

CAPACITY UNDER WHICH THIS BID IS SIGNED:

.....

(Proof of authority must be submitted e.g. company resolution)

DATE:

.....

BIDDER'S DISCLOSURE

1. PURPOSE OF THE FORM

Any person (natural or juristic) may make an offer or offers in terms of this invitation to bid. In line with the principles of transparency, accountability, impartiality, and ethics as enshrined in the Constitution of the Republic of South Africa and further expressed in various pieces of legislation, it is required for the bidder to make this declaration in respect of the details required hereunder.

Where a person/s are listed in the Register for Tender Defaulters and / or the List of Restricted Suppliers, that person will automatically be disqualified from the bid process.

2. Bidder's declaration

2.1 Is the bidder, or any of its directors / trustees / shareholders / members / partners or any person having a controlling interest¹ in the enterprise, employed by the state? **YES/NO**

2.1.1 If so, furnish particulars of the names, individual identity numbers, and, if applicable, state employee numbers of sole proprietor/ directors / trustees / shareholders / members/ partners or any person having a controlling interest in the enterprise, in table below.

Full Name	Identity Number	Name of State institution

2.2 Do you, or any person connected with the bidder, have a relationship with any person who is employed by the procuring institution? **YES/NO**

¹ the power, by one person or a group of persons holding the majority of the equity of an enterprise, alternatively, the person/s having the deciding vote or power to influence or to direct the course and decisions of the enterprise.

2.2.1 If so, furnish particulars:

.....
.....

2.3 Does the bidder or any of its directors / trustees / shareholders / members / partners or any person having a controlling interest in the enterprise have any interest in any other related enterprise whether or not they are bidding for this contract? **YES/NO**

2.3.1 If so, furnish particulars:

.....
.....

3 DECLARATION

I, (name)..... the undersigned, in submitting the accompanying bid, do hereby make the following statements that I certify to be true and complete in every respect:

- 3.1 I have read and I understand the contents of this disclosure;
- 3.2 I understand that the accompanying bid will be disqualified if this disclosure is found not to be true and complete in every respect;
- 3.3 The bidder has arrived at the accompanying bid independently from, and without consultation, communication, agreement or arrangement with any competitor. However, communication between partners in a joint venture or consortium² will not be construed as collusive bidding.
- 3.4 In addition, there have been no consultations, communications, agreements or arrangements with any competitor regarding the quality, quantity, specifications, prices, including methods, factors or formulas used to calculate prices, market allocation, the intention or decision to submit or not to submit the bid, bidding with the intention not to win the bid and conditions or delivery particulars of the products or services to which this bid invitation relates.
- 3.4 The terms of the accompanying bid have not been, and will not be, disclosed by the bidder, directly or indirectly, to any competitor, prior to the date and time of the official bid opening or of the awarding of the contract.
- 3.5 There have been no consultations, communications, agreements or arrangements made by the bidder with any official of the procuring institution in relation to this procurement process prior to and during the bidding process except to provide clarification on the bid submitted

² Joint venture or Consortium means an association of persons for the purpose of combining their expertise, property, capital, efforts, skill and knowledge in an activity for the execution of a contract.

where so required by the institution; and the bidder was not involved in the drafting of the specifications or terms of reference for this bid.

- 3.6 I am aware that, in addition and without prejudice to any other remedy provided to combat any restrictive practices related to bids and contracts, bids that are suspicious will be reported to the Competition Commission for investigation and possible imposition of administrative penalties in terms of section 59 of the Competition Act No 89 of 1998 and or may be reported to the National Prosecuting Authority (NPA) for criminal investigation and or may be restricted from conducting business with the public sector for a period not exceeding ten (10) years in terms of the Prevention and Combating of Corrupt Activities Act No 12 of 2004 or any other applicable legislation.

I CERTIFY THAT THE INFORMATION FURNISHED IN PARAGRAPHS 1, 2 and 3 ABOVE IS CORRECT.

I ACCEPT THAT THE STATE MAY REJECT THE BID OR ACT AGAINST ME IN TERMS OF PARAGRAPH 6 OF PFMA SCM INSTRUCTION 03 OF 2021/22 ON PREVENTING AND COMBATING ABUSE IN THE SUPPLY CHAIN MANAGEMENT SYSTEM SHOULD THIS DECLARATION PROVE TO BE FALSE.

.....
Signature	Date
.....
Position	Name of bidder

PREFERENCE POINTS CLAIM FORM IN TERMS OF THE PREFERENTIAL PROCUREMENT REGULATIONS 2022

This preference form must form part of all tenders invited. It contains general information and serves as a claim form for preference points for specific goals.

NB: BEFORE COMPLETING THIS FORM, TENDERERS MUST STUDY THE GENERAL CONDITIONS, DEFINITIONS AND DIRECTIVES APPLICABLE IN RESPECT OF THE TENDER AND PREFERENTIAL PROCUREMENT REGULATIONS, 2022

1. GENERAL CONDITIONS

1.1 The following preference point systems are applicable to invitations to tender:

- the 80/20 system for requirements with a Rand value of up to R50 000 000 (all applicable taxes included); and
- the 90/10 system for requirements with a Rand value above R50 000 000 (all applicable taxes included).

1.2 **To be completed by the organ of state**

a) The applicable preference point system for this tender is the **80/20** preference point system.

1.3 Points for this tender (even in the case of a tender for income-generating contracts) shall be awarded for:

- (a) Price; and
- (b) Specific Goals.

1.4 **To be completed by the organ of state:**

The maximum points for this tender are allocated as follows:

	POINTS
PRICE	80
SPECIFIC GOALS	20
Total points for Price and SPECIFIC GOALS	100

1.5 Failure on the part of a tenderer to submit proof or documentation required in terms of this tender to claim points for specific goals with the tender, will be interpreted to mean that preference points for specific goals are not claimed.

1.6 The organ of state reserves the right to require of a tenderer, either before a tender is adjudicated or at any time subsequently, to substantiate any claim in regard to preferences, in any manner required by the organ of state.

2. DEFINITIONS

- (a) **“tender”** means a written offer in the form determined by an organ of state in response to an invitation to provide goods or services through price quotations, competitive tendering process or any other method envisaged in legislation;
- (b) **“price”** means an amount of money tendered for goods or services, and includes all

applicable taxes less all unconditional discounts;

- (c) **“rand value”** means the total estimated value of a contract in Rand, calculated at the time of bid invitation, and includes all applicable taxes;
- (d) **“tender for income-generating contracts”** means a written offer in the form determined by an organ of state in response to an invitation for the origination of income-generating contracts through any method envisaged in legislation that will result in a legal agreement between the organ of state and a third party that produces revenue for the organ of state, and includes, but is not limited to, leasing and disposal of assets and concession contracts, excluding direct sales and disposal of assets through public auctions; and
- (e) **“the Act”** means the Preferential Procurement Policy Framework Act, 2000 (Act No. 5 of 2000).

3. FORMULAE FOR PROCUREMENT OF GOODS AND SERVICES

3.1. POINTS AWARDED FOR PRICE

3.1.1 THE 80/20 OR 90/10 PREFERENCE POINT SYSTEMS

A maximum of 80 or 90 points is allocated for price on the following basis:

$$\begin{array}{ccc} \mathbf{80/20} & \mathbf{or} & \mathbf{90/10} \\ \\ \mathbf{Ps = 80 \left(1 - \frac{Pt - P_{min}}{P_{min}} \right)} & \mathbf{or} & \mathbf{Ps = 90 \left(1 - \frac{Pt - P_{min}}{P_{min}} \right)} \end{array}$$

Where

Ps = Points scored for price of tender under consideration

Pt = Price of tender under consideration

Pmin = Price of lowest acceptable tender

3.2. FORMULAE FOR DISPOSAL OR LEASING OF STATE ASSETS AND INCOME GENERATING PROCUREMENT

3.2.1. POINTS AWARDED FOR PRICE

A maximum of 80 or 90 points is allocated for price on the following basis:

$$\begin{array}{ccc} \mathbf{80/20} & \mathbf{or} & \mathbf{90/10} \\ \\ \mathbf{Ps = 80 \left(1 + \frac{Pt - P_{max}}{P_{max}} \right)} & \mathbf{or} & \mathbf{Ps = 90 \left(1 + \frac{Pt - P_{max}}{P_{max}} \right)} \end{array}$$

Were

Ps = Points scored for price of tender under consideration

Pt = Price of tender under consideration

Pmax = Price of highest acceptable tender

4. POINTS AWARDED FOR SPECIFIC GOALS

- 4.1. In terms of Regulation 4(2); 5(2); 6(2) and 7(2) of the Preferential Procurement Regulations, preference points must be awarded for specific goals stated in the tender. For the purposes of this tender the tenderer will be allocated points based on the goals stated in table 1 below as may be supported by proof/ documentation stated in the conditions of this tender:
- 4.2. In cases where organs of state intend to use Regulation 3(2) of the Regulations, which states that, if it is unclear whether the 80/20 or 90/10 preference point system applies, an organ of state

must, in the tender documents, stipulate in the case of —

- (a) an invitation for tender for income-generating contracts, that either the 80/20 or 90/10 preference point system will apply and that the highest acceptable tender will be used to determine the applicable preference point system: or
- (b) any other invitation for tender, that either the 80/20 or 90/10 preference point system will apply and that the lowest acceptable tender will be used to determine the applicable preference point system,

then the organ of state must indicate the points allocated for specific goals for both the 90/10 and 80/20 preference point system.

Table 1: Specific goals for the tender and points claimed are indicated per the table below.

(Note to organs of state: Where either the 90/10 or 80/20 preference point system is applicable, corresponding points must also be indicated as such.

Note to tenderers: The tenderer must indicate how they claim points for each preference point system.)

The specific goals allocated points in terms of this tender	Number of points allocated (80/20 system) (To be completed by the organ of state)	Number of points claimed (80/20 system) (To be completed by the tenderer)
Women Ownership	5	
Disability Ownership	5	
Youth Ownership	5	
Location of enterprise (local equals province) Eastern Cape Province	2	
B-BBEE status level contribution from level 1 to 2 which are QSE or EME	3	
TOTAL SCORED POINTS	20	

DECLARATION WITH REGARD TO COMPANY/FIRM

4.3. Name of company/firm.....

4.4. Company registration number:

4.5. TYPE OF COMPANY/ FIRM

- Partnership/Joint Venture / Consortium
- One-person business/sole propriety
- Close corporation
- Public Company
- Personal Liability Company
- (Pty) Limited
- Non-Profit Company
- State Owned Company

[TICK APPLICABLE BOX]

4.6. I, the undersigned, who is duly authorised to do so on behalf of the company/firm, certify that the points claimed, based on the specific goals as advised in the tender, qualifies the company/ firm for the preference(s) shown and I acknowledge that:

- i) The information furnished is true and correct;
- ii) The preference points claimed are in accordance with the General Conditions as indicated in paragraph 1 of this form;
- iii) In the event of a contract being awarded as a result of points claimed as shown in paragraphs 1.4 and 4.2, the contractor may be required to furnish documentary proof to the satisfaction of the organ of state that the claims are correct;
- iv) If the specific goals have been claimed or obtained on a fraudulent basis or any of the conditions of contract have not been fulfilled, the organ of state may, in addition to any other remedy it may have –
 - (a) disqualify the person from the tendering process;
 - (b) recover costs, losses or damages it has incurred or suffered as a result of that person's conduct;
 - (c) cancel the contract and claim any damages which it has suffered as a result of having to make less favourable arrangements due to such cancellation;
 - (d) recommend that the tenderer or contractor, its shareholders and directors, or only the shareholders and directors who acted on a fraudulent basis, be restricted from obtaining business from any organ of state for a period not exceeding 10 years, after the *audi alteram partem* (hear the other side) rule has been applied; and
 - (e) forward the matter for criminal prosecution, if deemed necessary.

	SIGNATURE(S) OF TENDERER(S)
SURNAME AND NAME:
DATE:
ADDRESS:



water & sanitation

Department:
Water and Sanitation
REPUBLIC OF SOUTH AFRICA

This template must be completed by the all suppliers and returned together with all the quotation documents.

QUOTATION / BIDNUMBER		
DESCRIPTION OF GOODS /SERVICE		
NAME OF SUPPLIER		
QOUTATION / BID AMOUNT		
BBBEE LEVEL		
COMPANY'S COMPOSITION OF EXISTANCE		
	% OWNERSHIP	TOTAL NUMBER OF: OWNERS/SHAREHODER/DIRECTORS
% of Black ownership		
% of Black People who are youth		
% of Black People who are black women		
% of Black People with Disability		
% of Black People living in rural underdeveloped areas or township		
% Cooperative owned by black people		
% of Black people who are military veterans		
SMME STATUS (eg. EME, QSE or LARGE/GENERIC)		

Name:.....

Position:.....

Signature:..... Date:.....

Please note that this information is for reporting purposes only, and will not prejudice the company in anyway nor will it be considered as an evaluation tool.

Annex C

Local Content Declaration - Summary Schedule

(C1) **Tender No.**
 (C2) **Tender description:**
 (C3) **Designated product(s)**
 (C4) **Tender Authority:**
 (C5) **Tendering Entity name:**
 (C6) **Tender Exchange Rate:**
 (C7) **Specified local content %**

Note: VAT to be excluded from all calculations

Pula EU GBP

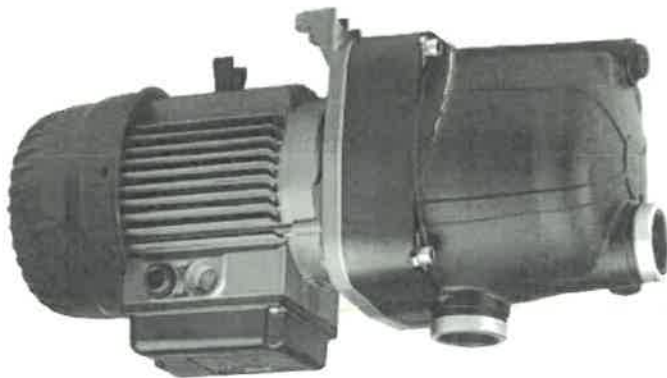
Calculation of local content							
Tender item no's	List of items	Tender price - each (excl VAT)	Exempted imported value	Tender value net of exempted imported content	Imported value	Local value	Local content % (per item)
(C8)	(C9)	(C10)	(C11)	(C12)	(C13)	(C14)	(C15)

Tender summary			
Tender Qty	Total tender value	Total exempted imported content	Total Imported content
(C16)	(C17)	(C18)	(C19)

Signature of tenderer from Annex B

Date: _____

(C20) Total tender value	R 0
(C21) Total Exempt imported content	R 0
(C22) Total Tender value net of exempt imported content	R 0
(C23) Total Imported content	R 0
(C24) Total local content	R 0
(C25) Average local content % of tender	



GENERAL DATA

Applications
 Self-priming centrifugal pump with excellent suction capacity even when there are air bubbles and small particles of sand in the water.
 Used especially for supplying water to domestic installations. Ideal for use in small-scale agriculture and gardening, limited industrial services and wherever self-priming operation is necessary.

Constructional features of the pump
 Technopolymer pump body and die-cast aluminium motor support.
 Technopolymer impeller, diffuser, Venturi tube and sand guard.
 Stainless steel pressure disc.
 Carbon/ceramic mechanical seal.

Constructional features of the motor
 Induction motor, closed and cooled with external ventilation.
 Rotor mounted on oversized greased sealed-for-life ball bearings to ensure silent running and long life.
 Built-in thermal and current overload protection and a capacitor permanently in circuit in the single-phase version.
 Three-phase motors should be protected with a suitable overload protection complying with the regulations in force.
 Manufactured according to CEI 2-3 and CEI 61-69 standards (EN 60335-2-41).

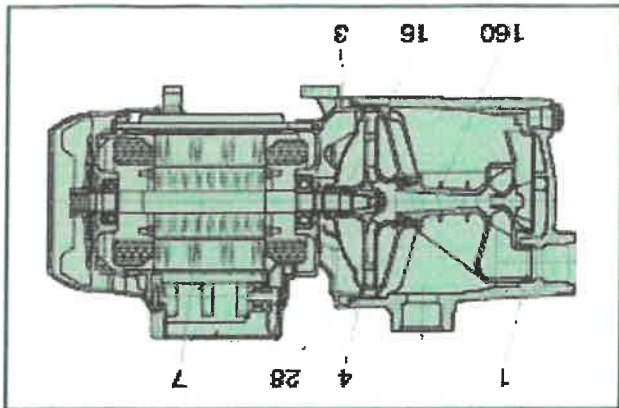
u

Standard voltage: single-phase 220-240 V/50 Hz
 three-phase 230-400 V/50 Hz

TECHNICAL DATA

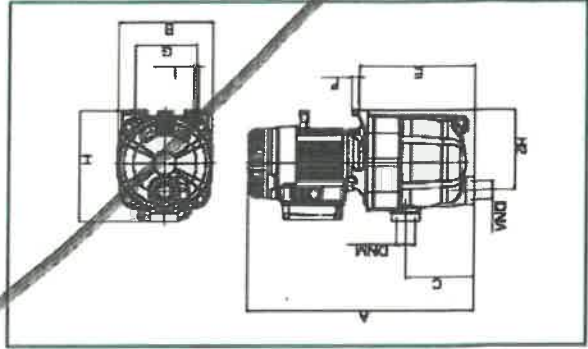
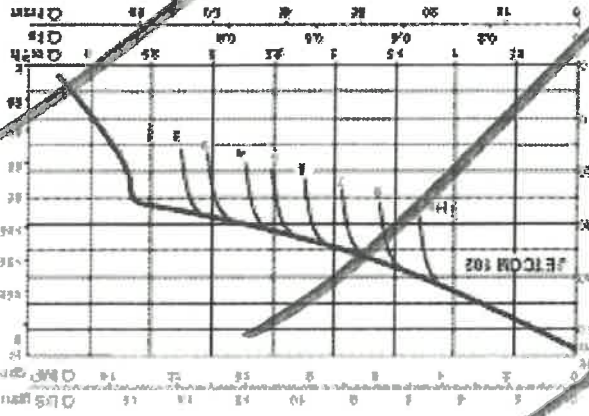
N.	PARTS*	MATERIALS
1	PUMP BODY	TECHNOPOLYMER A
4	IMPELLER	TECHNOPOLYMER A
7	SHAFT WITH ROTOR	STAINLESS STEEL AISI 416
16	MECHANICAL SEAL	CARBON/CERAMIC
28	OR GASKET	NBR RUBBER
36	SEAL COVER	STAINLESS STEEL AISI 304
160	NOZZLE-VENTURI DIFFUSER ASSEMBLY	TECHNOPOLYMER A

* In contact with the liquid.



MODEL	VOLTAGE 50 Hz	P1 MAX KW	P2 NOMINAL HP	In A	CAPACITOR µF	Vc V	Q m ³ /h	HYDRAULIC DATA (n = 2800 1/min)						
								H (m)	Q (m ³ /h)	Q (l/s)	Q (gpm)	Q (cfm)	Q (ft ³ /min)	Q (ft ³ /s)
JETCOM 102 T	3x230-400 V ~	1,04	0,75	1	3,3-1,9	-	53,8	47	41	36,3	32,4	28,8	25,8	
JETCOM 102 M	1x220-240 V ~	1,13	0,75	1	5,1	16	450	47	41	36,3	32,4	28,8	25,8	

MODEL	A	B	C	E	F	G	H	H1	H2	I	L	DNA	DNM	PACKING DIMENSIONS L/B/H	VOLUME m ³ /Kg	WEIGHT Kg		
JETCOM 102	425	170	122	208	14	111	203	-	14	9	-	1" G	1" G	470	240	240	0,027	9,5

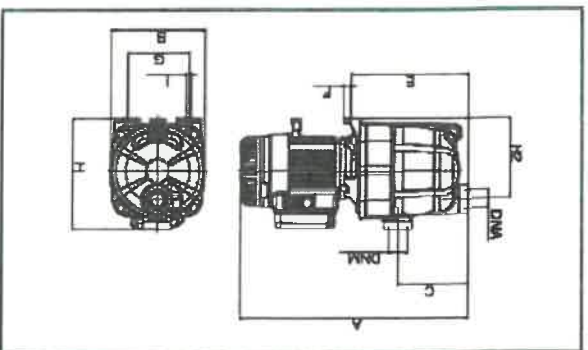
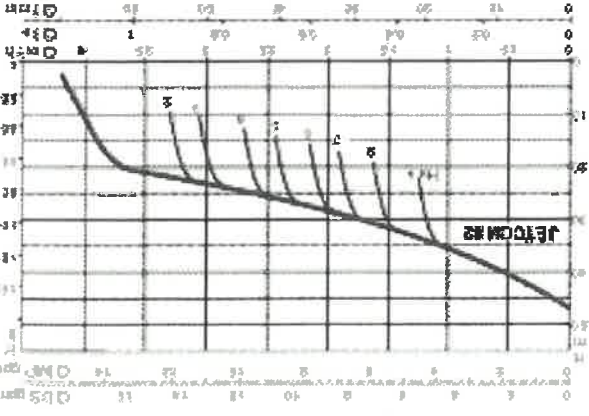


JETCOM 102

Liquid temperature range: from 0 °C to +35°C Maximum ambient temperature: +40°C

MODEL	VOLTAGE 50 Hz	P1 MAX KW	P2 NOMINAL HP	In A	CAPACITOR µF	Vc V	Q m ³ /h	HYDRAULIC DATA (n = 2800 1/min)						
								H (m)	Q (m ³ /h)	Q (l/s)	Q (gpm)	Q (cfm)	Q (ft ³ /min)	Q (ft ³ /s)
JETCOM 82 T	3x230-400 V ~	0,86	0,6	0,8	2,8-1,6	-	47	40	34	30	26,2	23,5	20,3	
JETCOM 82 M	1x220-240 V ~	0,85	0,6	0,8	3,8	12,5	450	40	34	30	26,2	23,5	20,3	

MODEL	A	B	C	E	F	G	H	H1	H2	I	L	DNA	DNM	PACKING DIMENSIONS L/A/H	VOLUME m ³ /Kg	WEIGHT Kg		
JETCOM 82	406	170	122	208	14	111	198	-	14	9	-	1" G	1" G	470	240	240	0,027	7,1



JETCOM 82

Liquid temperature range: from 0 °C to +35°C Maximum ambient temperature: +40°C

The performance curves are based on the kinematic viscosity values = 1 mm²/s and density equal to 1000 kg/m³; Curve tolerance according to ISO 9906.

