

BID NUMBER: HDA/EC/2024/005

**THE APPOINTMENT OF TWO (2) CONTRACTORS
FOR THE CONSTRUCTION OF 400 TOP
STRUCTURES WITHIN THE NELSON MANDELA
BAY METROPOLITAN AREA (EASTERN CAPE).**

CLOSING DATE	13 May 2024
CLOSING TIME	11:00
Compulsory briefing session	NO
BID DOCUMENTS DELIVERY ADDRESS	THE HOUSING DEVELOPMENT AGENCY 6-7 Donald Road, East London, Vincent Park, Eastern Cape, 5247
BIDDER NAME	
BID RETURN ADDRESS	THE HOUSING DEVELOPMENT AGENCY 6-7 Donald Road, East London, Vincent Park, Eastern Cape, 5247

Disclaimer

This document is provided solely for the purpose set out in this RFP and is not intended to form any part or basis of any investment decision by Bidders. The recipient should not consider the document as an investment recommendation by the HDA or any of its advisers.

Each person to whom this document (and other later documents) is made available must make his own independent assessment of the Project after making such investigation and taking such professional advice as he/she or it deems necessary. Neither the receipt of this document or any related document by any person, nor any information contained in the documents or distributed with them or previously or subsequently communicated to any Bidder or its advisers, is to be taken as constituting the giving of an investment advice by the Housing Development Agency or its advisers.

Whilst reasonable care has been taken in preparing this RFP and other documents, they do not purport to be comprehensive or true and correct. Neither the HDA nor any of its advisers accept any liability or responsibility for the adequacy, accuracy or completeness of any of the information or opinions stated in any document.

They acquaint themselves with this RFP and take note that no representation or warranty, express or implied, is or will be given by the HDA, or any of its officers, employees, servants, agents or advisers with respect to the information or opinions contained in any document or on which any document is based. Any liability in respect of such representations or warranties, howsoever arising is hereby expressly disclaimed.

If any recipient, or its employees, advisers or agents make or offers to make any gift to any of the employees of the HDA or consultant to the HDA on the RFP either directly or through an intermediary then such recipient, Bidder will be disqualified forthwith from participating in the RFP.

Each recipient of this RFP agrees to keep confidential any information of a confidential nature which may be contained in the information provided (the "Confidential Information Provided"). The Confidential Information provided may be made available to Bidder's subcontractors, employees and professional advisers who are directly involved in the appraisal of such information (who must be made aware of the obligation of confidentiality) but shall not, either in the whole or in part, be copied, reproduced, distributed or otherwise made available to any other party in any circumstances without the prior written consent of the HDA, nor may it be used for any other purpose than that for which it is intended.

These requirements do not apply to any information, which is or becomes publicly available or is shown to have been made available (otherwise than through a breach of a confidentiality obligation). Bidders, Key Contractors and their constituent members, agents and advisers, may be required to sign confidentiality contracts/undertakings (in such form as the HDA may require from time to time).

All Confidential Information Provided (including all copies thereof) remains the property of the HDA and must be delivered to the HDA on demand. Further, by receiving this RFP each Bidder and each of its members agrees to maintain its submission in Bid to this RFP confidential from third parties other than the HDA and its officials, officers and advisers who are required to review the same for the purpose of procurement of the RFP.

Any recipient residing outside the Republic of South Africa is urged to familiarise themselves with and to observe any regulatory requirements relevant to the proposed transaction (whether these derive from a regulatory authority within or outside the Republic of South Africa).

Any requirement set out in this RFP regarding the content of a response to the RFP is stipulated for the sole benefit of the HDA, and serves as expressly stated to the contrary, may be waived at its discretion at any stage in the procurement process.

The HDA is not committed to any course of action as a result of its issuance of this RFP and/or its receipt of a Proposal in response to it. Please note that the HDA reserves the right to:

- Modify the RFP's goods / service(s) / works and request Bidders to re-bid on any changes;
- Withdraw, amend the RFP at any time without prior notice and liability to compensate or reimburse any bidder;
- Reject any Proposal which does not conform to instructions and specifications which are detailed herein
- Disqualify Proposals submitted after the stated submission deadline;
- Call a bidder to provide additional documents which the HDA may require which have not been submitted to The HDA.
- Not necessarily accept the lowest priced Proposal or alternative bid;
- Not accept any response to the RFP or appoint a final bidder;
- Reject all proposals if so decides;
- Withdraw the RFP on good cause shown;

- Award a contract in connection with this Proposal at any time after the RFP's closing date;
- Award a contract for only a portion of the proposed goods/ service/s/ works which are reflected in the scope of this RFP;
- The HDA may split the award of the contract between more than one Service Provider should it be more advantageous in terms of, amongst others, cost or development considerations;
- Make no award at all;
- Validate any information submitted by Bidders in response to this bid. This would include, but is not limited to, requesting the Bidders to provide supporting evidence. By submitting a bid, Bidders hereby irrevocably grant the necessary consent to the HDA to do so;
- Request annual financial statements prepared and signed off by a professional accountant or other documentation for the purposes of a due diligence exercise; and/or
- Not accept any changes or purported changes by the Bidder to the bid rates after the closing date and/or after the award of the business, unless the contract specifically provided for it.

All costs and expenses incurred by Bidders in submitting responses to this RFP shall be borne by the Bidders and the HDA shall not be liable for any costs or expenses whatsoever or any claim for reimbursement of such costs or expenses.

Should a contract be awarded on the strength of information furnished by the Bidder, which after conclusion of the contract, is proved to have been incorrect, the HDA reserves the right to cancel the contract and/or place the Bidder on the HDA's list of Restricted Suppliers.

The HDA reserves the right to negotiate market-related price with the bidder scoring the highest points or cancel the bid; if the bidder does not agree to a market related price, negotiate a market related price with the bidder scoring the second highest points or cancel the bid; if the bidder scoring the second highest points does not agree to a market related price, negotiate a market related price with the bidder scoring the third highest points or cancel the bid. If the market related price is not agreed as envisaged in this paragraph, the HDA will cancel the bid.

The HDA reserves the right to negotiations Best and Final Offer (BAFO) with selected Bidders where none of the Proposals meet RFP requirement, are affordable and demonstrate value for money and there is no clear preferred response to the RFP

Should the preferred bidder fail to sign or commence with the contract within a reasonable period after being requested to do so, the HDA reserves the right to award the business to the next ranked bidder, provided that he/she is still prepared to provide the required goods at the quoted price. Under such circumstances, the validity of the bids of the next ranked bidder(s) will be deemed to remain valid, irrespective of whether the next ranked bidder(s) were issued with a Letter of Regret. Bidders may therefore be requested to advise whether they would still be prepared to provide the required goods at their quoted price, even after they have been issued with a Letter of Regret.

The HDA will not reimburse any Bidder for any preparatory costs or other work performed in connection with its Proposal, whether or not the Bidder is awarded a contract.

SCHEDULE OF BID DOCUMENTS

SECTION NO

PAGE

SECTION 1 : NOTICE TO BIDDERS.....	
1 <u>INVITATION TO BID</u>	13
2 <u>PROPOSAL SUBMISSION</u>	14
3 <u>DELIVERY INSTRUCTIONS FOR RFP</u>	14
4 <u>SPECIFIC GOALS</u>.....	14
5 <u>COMMUNICATION</u>.....	15
7 <u>CONFIDENTIALITY</u>.....	15
8 <u>INSTRUCTIONS FOR COMPLETING THE RFP</u>	16
9 <u>LEGAL COMPLIANCE</u>.....	18
10 <u>NATIONAL TREASURY’S CENTRAL SUPPLIER DATABASE</u>	18
11 <u>TAX COMPLIANCE</u>.....	19
12 <u>PROTECTION OF PERSONAL DATA</u>	19
<u>SECTION 2 : BACKGROUND, OVERVIEW AND SCOPE OF REQUIREMENTS</u>.....	20
1 <u>INTRODUCTION AND BACKGROUND</u>	20
2 <u>OVERVIEW</u>	22
3 <u>KEY OBJECTIVES OF THE RFP</u>	23
4 <u>SCOPE OF WORK</u>.....	23
5 <u>EVALUATION METHODOLOGY</u>	23
6 <u>VALIDITY PERIOD</u>.....	29
7 <u>THE NATIONAL INDUSTRIAL PARTICIPATION PROGRAMME</u>.....	29
8 <u>POST TENDER NEGOTIATION (IF APPLICABLE)</u>.....	29
9 <u>BEST AND FINAL OFFER</u>	29
10 <u>FINAL CONTRACT AWARD</u>.....	29
11 <u>FAIRNESS AND TRANSPARENCY</u>.....	30

<u>SECTION 3 : PRICING AND DELIVERY SCHEDULE</u>	31
<u>1 PRICING</u>	32
<u>2 DISCLOSURE OF PRICES QUOTED</u>	32
<u>3 OWNERSHIP OF DESIGN</u>	32
<u>4 SERVICE LEVELS</u>	32
<u>5 TOTAL COST OF OWNERSHIP</u>	32
<u>6 FINANCIAL STABILITY</u>	33
<u>7 VALIDITY OF RETURNABLE DOCUMENTS</u>	34
<u>8 CERTIFICATE OF ACQUAINTANCE WITH RFP TERMS AND CONDITIONS</u>	35
<u>9 GENERAL CONDITIONS</u>	36
<u>10 CONDITIONS OF TENDER</u>	42

LIST OF APPENDICES

INVITATION TO BID	SBD 1
DECLARATION OF INTERESTS	SBD 4
PREFERENCE POINTS CLAIM FORM	SBD 6.1
GCC	

1 LIST OF ANNEXURES

Detailed Scope of Work (Project Specification)	Annexure 1
Pricing Schedule	Annexure 2
6919A-02- M -Rev B-RDP House plan Type A	Annexure 3
6984A-02-A-Rev A-RDP House plan Type A	Annexure 4
10415000-501_remedial	Annexure 5
10415000-502_remedial	Annexure 6
10415000-503_new raft	Annexure 7
New Dwelling_Type2 Khayamnandi 479	Annexure 8

2 ACRONYMS

BBBEE	Broad Based-Black Economic Empowerment
CIDB	Construction Industry Development Board
DTiC	The Department of Trade and Industry and Competition
PPPFA amended from	Preferential Procurement Policy Framework Act 5 of 2000 (as time to time)
PFMA to time)	Public Finance Management Act No.1 of 1999 (as amended from time to time)
The HDA	The Housing Development Agency
RFP	Request for Proposal
SANAS	South African National Accreditation System

3 INTERPRETATION

In this RFP, unless inconsistent with or otherwise indicated by the context –

- 4.1 headings have been inserted for convenience only and should not be taken into account in interpreting the RFP;
- 4.2 any reference to one gender shall include the other gender;
- 4.3 words in the singular shall include the plural and vice versa;
- 4.4 any reference to natural persons shall include legal persons and vice versa;
- 4.5 words defined in a specific clause have the same meaning in all other clauses of the RFP, unless the contrary is specifically indicated;
- 4.6 any reference to the RFP, schedule or appendix, shall be construed as including a reference to any RFP, schedule or appendix amending or substituting that RFP, schedule or appendix;
- 4.7 the schedules, appendices and Briefing Notes issued pursuant to this RFP, form an indivisible part of the RFP and together with further clarifying and amending information provided by the HDA, constitute the body of RFP documentation which must be complied with by Bidders;
- 4.8 in the event of any inconsistency between this RFP or other earlier information published with regard to the Project, the information in this RFP shall prevail; and
- 4.9 this RFP shall be governed by and applied in accordance with South African law.

4 DEFINITIONS

In this RFP and in any other project documents (as defined below) which so provides, the following words and expressions shall have the meaning assigned to them below and cognate expressions shall have a corresponding meaning, unless inconsistent with the context:

- 5.1 “Accounting Authority” means the Board of the HDA;
- 5.2 “Contract” means the Contract to be entered between the HDA and the successful Bidder for the provision of the *services* procured in this RFP.
- 5.3 “Bid” means the Bid to the RFP submitted by Bidders;
- 5.4 “Bidders Briefing Session” means the compulsory or non-compulsory briefing session to be held at the offices of the HDA or at a venue that will be arranged by the HDA, in order to brief the Bidders about this tender;
- 5.5 “Black Enterprise” means an enterprise that is at least 51% beneficially owned by Black People and in which Black People have substantial Management Control. Such beneficial ownership may be held directly or through other Black Enterprises;
- 5.6 “Black Equity” means the voting equity held by Black People from time to time;
- 5.7 “Black People” means African, Coloured, and Indian South African citizens, and “Black Person” means any such citizen ;
- 5.8 “Black Woman” means African, Coloured, and Indian South Africa Female citizen;
- 5.9 “Briefing Note” means any correspondence to Bidders issued by the HDA;
- 5.10 “Business Day” means any day except a Saturday, Sunday or public holiday in South Africa;
- 5.11 “Bidders” means individuals, organisations or consortia that have been submitted responses to the RFP in respect of the tender;
- 5.12 “Consortium” means any group of persons or firms jointly submitting a Bid as Bid to this RFP and “Consortia” means more than one Consortium;
- 5.13 “Contractor” the successful Bidders who has signed a Contract with the HDA in terms of this RFP.
- 5.14 “Closing Date” means the closing date for submission of bids
- 5.15 “Project” means this project for the **appointment of two (2) Contractors for the Construction of 400 Top Structures within the Nelson Mandela Bay Metropolitan area (Eastern Cape).**
- 5.16 “RFP” means the Request for Proposals issued by the HDA for this tender; and

5.17 “Scope of Work” means the scope of work for this project as detailed out in the RFP technical specifications.

SECTION 1

NOTICE TO BIDDERS

1 INVITATION TO BID

You are hereby invited to submit a bid to meet the requirements of the Housing Development Agency. Responses to this RFP [hereinafter referred to as a **Bid** or a **Proposal**] are requested from persons, companies, close corporations, or enterprises [hereinafter referred to as an **entity, Bidder**].

BID DESCRIPTION	The appointment of two (2) Contractors for the Construction of 400 Top Structures within the Nelson Mandela Bay Metropolitan area (Eastern Cape).
BID ADVERT	This RFP may be downloaded directly from National Treasury’s e-Tender Publication Portal at www.etenders.gov.za or the HDA website at www.thehda.co.za/procurement/currenttenders free of charge. With effect from 26 April 2024
ISSUE DATE	26 April 2024
COMPULSORY BRIEFING SESSION	No
CLOSING DATE	11H00am on 13 May 2024 Bidders must ensure that bids are delivered timeously to the correct address. As a general rule, if a bid is late or delivered to the incorrect address, it will not be accepted for consideration.
VALIDITY PERIOD	120 Business Days from Closing Date Bidders are to note that they may be requested to extend the validity period of their bid, at the same terms and conditions, if the internal evaluation

	process has not been finalised within the validity period.
CLOSING DATE FOR QUESTIONS	03 May 2024
CLOSING DATE FOR RESPONSES	06 May 2024
CONTACT PERSON	Mxolisi Zondo

Any additional information or clarification will be emailed to all Bidders, if necessary.

2. PROPOSAL SUBMISSION OF RFP RESPONSE

Proposal Responses must be submitted to the HDA in a sealed envelope/package addressed as follows:

Attention: SCM Office

RFP No:	HDA/EC/2024/005
Description of Bid	The appointment of two (2) Contractors for the Construction of 400 Top Structures within the Nelson Mandela Bay Metropolitan area (Eastern Cape).
Closing date and time:	13 May 2024 at 11h00
Closing address	Housing Development Agency 6-7 Donald Road, East London, Vincent Park, Eastern Cape, 5247

3. DELIVERY INSTRUCTION FOR RFP

Delivery of Bid

The Bid envelopes/packages must be deposited in the HDA tender box which is located at the HDA and must be addressed as follows:

The Housing Development Agency
6-7 Donald Road, East London, Vincent Park,
Eastern Cape, 5247

4. SPECIFIC GOALS

As explained in more detail in the attached SBD 6.1 (Specific Goals Preference Points Claim Form) and as prescribed in terms of the Preferential Procurement Policy

Framework Act (PPPFA), Act 5 of 2000 and its Regulations, Bidders are to note that the HDA will award “Specific Goals points” to companies who provide valid proof of their status as requested in the bid document.

4.2. SPECIFIC GOALS FOR JOINT VENTURES OR CONSORTIUMS

Bidders who would wish to respond to this RFP as a Joint Venture [JV] or consortium, must state their intention to do so in their RFP submission. Such Bidders must also submit a signed JV or consortium agreement between the parties clearly stating the percentage [%] split of business and the associated responsibilities of each party.

Bidders are to note the requirements for specific goals compliance of JVs or consortiums as required by SBD 6.1 [the specific goals Preference Point Claim Form] and submit it together with proof of their consolidated specific goals as stipulated in the Claim Form in order to obtain preference points.

5. COMMUNICATION

For specific queries relating to this RFP during the RFP process, bidders are required to adhere strictly to the communication structure requirements. Queries should be submitted to Mxolisi.Zondo@thehda.co.za on or before **16h30pm on 03 May 2024**

- 5.2. In the interest of fairness and transparency the HDA’s response to such a query will be made available to the Bidders on the National Treasury E-Tender portal and the HDA’s Website.
- 5.3. After the closing date of the RFP, a Bidder may only communicate in writing with the SCM Official, at Mxolisi.Zondo@thehda.co.za on any matter relating to its RFP Proposal.
- 5.4. Bidders are to note that changes to its submission will not be considered after the closing date.
- 5.5. Bidders are warned that a response will be liable for disqualification should any attempt be made by a Bidder either directly or indirectly to canvass any officer(s) or employee of the HDA in respect of this RFP between the closing date and the date of the award of the business. Furthermore, Bidders found to be in collusion with one another will automatically be disqualified and restricted from doing business with the HDA in future.

6. CONFIDENTIALITY

6.2. The HDA shall ensure all information related to this RFP is to be treated with strict confidence. In this regard Bidder / Bidders are required to certify that they have acquainted themselves with the Non-Disclosure Agreement. All information related to a subsequent contract, both during and after completion thereof, will be treated with strict confidence. Should the need however arise to divulge any information gleaned from provision of the Services , which is either directly or indirectly related to the HDA's business, written approval to divulge such information must be obtained from the HDA.

6.3. Bidders must clearly indicate whether any information submitted or requested from the HDA is confidential or should be treated confidentially by the HDA. In the absence of any such clear indication in writing, the HDA shall deem the response to the RFP to have waived any right to confidentiality and treat such information as public in nature.

7. INSTRUCTIONS FOR COMPLETING THE RFP

7.2. All responses to the RFP must be submitted in two sealed envelopes/boxes; the first envelop/box shall have the technical, compliance and specific goals response and the second envelop/box shall only have the financial response. Bidders must ensure that they do not indicate any financial information in the first envelop/box. the HDA may disqualify Bidders who fail to adhere to this requirement.

7.3. Bidders are required to package their response/Bid as follows to avoid disqualification:

Volume 1 (Envelop 1/Package 1)

- **Part A:** Compliance Response
- **Part B:** Technical or Functional Response (response to scope of work)

Volume 2 (Envelop 2/ Package 2)

- **Part C:** Financial Proposal and specific goals (SBD6.1)

Volume 2 Has to be submitted in a separate sealed envelope. Bidders must make their pricing offer in envelop 2/package 2, **NO PRICING AND PRICING RELATED INFORMATION SHOULD BE INCLUDED IN THE VOLUME 1 ENVELOP 1.**

7.4. Bidders must submit 1 original response, and electronic version which must be contained in USB clearly marked in the Bidders name.

- 7.5. Bidders must ensure that their response to the RFP is in accordance with the structure of this document.
- 7.6. Where Bidders are required to sign forms they are required to do so using a black ink pen.
- 7.7. Any documents forming part of the original responses to RFP but which are not original in nature, must be certified as a true copy by a Commissioner of Oaths.
- 7.8. Each response to RFP must be in English and submitted in A4 format, except other graphic illustrations, which may not exceed A3 format, unless the contrary is specifically allowed for in this RFP. Responses to RFP must be neatly and functionally bound, preferably according to their different sections.
- 7.9. The original responses to RFP must be signed by a person duly authorized by each consortium member and Subcontractor to sign on their behalf, which authorization must form part of the responses to RFP as proof of authorization. By signing the responses to RFP the signatory warrants that all information supplied by it in its responses to RFP is true and correct and that the responses to RFP and each party whom the responses to RFP signatory represents, considers themselves subject to and bound by the terms and conditions of this RFP.
- 7.10. The responses to RFP formulation must be clear and concise and follow a clear methodology which responses to RFP must explain upfront in a concise Executive Summary and follow throughout the responses to RFP.
- 7.11. Responses to RFP must provide sufficient information and detail in order to enable the HDA to evaluate the responses to RFP, but should not provide unnecessary detail which does not add value and detracts from the ability of the HDA to effectively evaluate and understand the responses to RFP. The use of numbered headings, bullet points, sections, appendices and schedules are encouraged.
- 7.12. Information submitted as part of a responses to RFP must as far as possible, be ordered according to the order of the required information requested by the HDA. All pages must be consecutively numbered.
- 7.13. Responses to RFP must ensure that each requirement contained in the RFP is succinctly addressed. Responses to RFP should as far as possible use the terms and definitions applied in this RFP and should clearly indicate its interpretation of any differing terminology applied.
- 7.14. Response to RFP documents are to be submitted to the address specified in paragraph 3 above, and Bidders must ensure that the original and copies (where applicable) are identical in all respects as the HDA will not accept any liability for

having disqualified a bidder for failing to provide a mandatory returnable document.

- 7.15. Unless otherwise expressly stated, all Proposals furnished pursuant to this RFP shall be deemed to be offers. Any exceptions to this statement must be clearly and specifically indicated.

8. LEGAL COMPLIANCE

Bidders must ensure that they comply with all the requirements of the RFP and if Bidders fail to submit any of the required documents, such Bids shall, at the sole discretion of the HDA, be disqualified the Bidder. The HDA reserves the right to call a Bidder to provide additional documents which the HDA may require from a Bidder which have not been submitted to the HDA.

Bidders must ensure that they comply with all the requirements of the RFP and if Bidders fail to submit any of the required documents, such Bids shall, at the sole discretion of the HDA, be disqualified.

The successful Bidder [hereinafter referred to as the **Service Provider**] shall be in full and complete compliance with any and all applicable laws and regulations.

9. NATIONAL TREASURY'S CENTRAL SUPPLIER DATABASE

Bidders are required to self-register on National Treasury's Central Supplier Database (CSD) which has been established to centrally administer supplier information for all organs of state and facilitate the verification of certain key supplier information. Only foreign suppliers with no local registered entity need not register on the CSD. The CSD can be accessed at <https://secure.csd.gov.za>. Bidders are required to provide the following to the HDA in order to enable it to verify information on the CSD:

Supplier Number: _____ **Unique registration reference number:**

10. TAX COMPLIANCE

Bidders must be compliant when submitting a proposal to the HDA and remain compliant for the entire contract term with all applicable tax legislation, including but not

limited to the Income Tax Act, 1962 (Act No. 58 of 1962) and Value Added Tax Act, 1991 (Act No. 89 of 1991).

It is a condition of this RFP that the tax matters of the successful bidder be in order

The Tax Compliance status requirements are also applicable to foreign Bidders/ individuals who wish to submit bids.

Bidders are required to be registered on the CSD as indicated in paragraph 9 and the National Treasury shall verify the Bidder's tax compliance status through the CSD.

Where Consortia / Joint Ventures / Sub-contractors are involved, each party must be registered on the CSD and their tax compliance status will be verified through the CSD.

For this purpose, the attached SBD 1 must be completed and submitted as an essential returnable document by the closing date and time of the bid.

New Tax Compliance Status (TCS) System

SARS has implemented a new Tax Compliance Status (TCS) system in terms of which a taxpayer is now able to authorise any 3rd party to verify its compliance status in one of two ways: either through the use of an electronic access PIN, or through the use of a Tax Clearance Certificate obtained from the new TCS system.

Bidders are required to provide the following to the HDA in order to enable it to verify their tax compliance status:

Tax Compliance Status (TCS) Pin: _____

11. PROTECTION OF PERSONAL DATA

In responding to this bid, the HDA acknowledges that it may obtain and have access to personal data of the Bidders. the HDA agrees that it shall only process the information disclosed by Bidders in their response to this bid for the purpose of evaluating and subsequent award of business and in accordance with any applicable law. Furthermore, the HDA will not otherwise modify, amend or alter any personal data submitted by Bidders or disclose or permit the disclosure of any personal data to any Third Party without the prior written consent from the Bidders. Similarly, the HDA requires Bidders to process any personal information disclosed by the HDA in the bidding process in the same manner.

SECTION 2

BACKGROUND OVERVIEW AND SCOPE REQUIREMENTS

1 INTRODUCTION AND BACKGROUND

The Housing Development Agency (HDA) is a national public development agency established by an Act of Parliament (Act 23 of 2008). The HDA promotes sustainable integrated communities by making well-located land and buildings available for the development of housing and human settlements. The HDA also provides project delivery services in the form of planning, capacity support and capability, and project management and works on projects in specific areas at the request of Provinces and Municipalities. As an organ of state, the HDA is accountable through its Board to the Minister of Human Settlements.

The main objectives of this project are the following:

3.1. To verify, develop the top structure as the table below respectively.

Project Name	No. Units
Project 1	
Khayamnandi 479	41
Mandelaville 110	40
Bethelsdorp 693	100
Total (1)	181
Project 2	
NU12 Motherwell	27
Joe Slovo West Phase 2	192
Total (2)	219
Grand Total	400

Bethelsdorp Rectification Project

1. 100 no. houses to be demolished and construct new dwellings.
2. Rubble to be cart away
3. Temporary shelters to be provided
4. New housing units to be built as per Engineers design for raft foundations and house plan specifications.

Khayamnandi 479

1. Demolish 16 no. existing slabs and construct top structures as per Engineers drawings
2. Rectify 15 no. existing slabs and construct 15 no. top structures from rectified slab level as per Engineer's design
3. Construct 10 no. top structures on approved foundations from slab level as per house design and specifications

Mandelaville

1. Construct 40 no. top structures as per Engineers designs for raft foundations and house plan specifications.

Motherwell NU12

1. 27 no. semi-detached top structures as per Engineers designs for foundations and house plan specifications.

Joe Slovo West Phase 2

1. 192 no. free standing 40m² housing units to be build. PSP has been appointed and are currently busy with foundation designs and house plans . Service Providers still to be appointed for the construction of houses.

REPORTING

The service providers will be expected to attend bi- weekly site (technical) meetings, monthly strategic (progress) meetings with all the Principal Agents / developer and Agency project manager responsible for the projects.

The successful Service Providers must produce and submit weekly and monthly reports covering:

Weekly and Monthly project progress reports (milestone reporting, financial/budgetary, quality control/ assurance reporting), risk and social facilitation reports or any specific reporting that may be required.

Scope of work and areas of focus

Structural Engineering requirements in accordance with SANSX400 and Competent Person's approval

The major elements that will fall within the responsibility of the Structural Engineer are:

- a) Appropriate house (40sqm) foundations(raft).
 - b) Load bearing vertical block work support system.
 - c) The horizontal U-block ring beam support; and
 - d) Approval of timber nail plated roof trusses and structure prepared by the fabricator's 'Competent person'
 - e) Completion certificate for each milestone by competent person for satisfactory completion of structural work.
- Quality Assurance report.
 - House plans, foundation and retaining walls designs.

The Structural Engineer are responsible of the said House Specifications and plans of the Top Structures. Part of the structural integrity specifications amongst others, are the:

- Design and Reinforced concrete strength, grade, etc. for the raft foundation and apron
- Cement types and grades to be used.
- Sand quality and specification to be used for mortar and plaster.
- Tolerances - degree of accuracy to be applied to all work
- Reinforced U beam specification
- Block work reinforcement type to be specified for use in mortar course requirements.
- Mortar class and quality control requirements.

- Timber roof trusses “shop drawings” from the contractor’s appointed designer and manufacturer shall be submitted to the Project Structural Engineer for approval and confirmation that the Fabricator holds a prevailing Certificate of Competence.
- Quality control standards and communication procedures in respect to the structural components of individual house.

Electrical Engineering installations requirements

The major design elements will fall within the responsibility of the Electrical Engineer and the Contractor are responsible for installations in accordance with the approved designs by the Electrical Engineer.


- Electrical sub-contractor’s work must be in line with the Local Authority by- laws.
- Electrical installations must be certified and signed off by the Electrical Engineer for inclusion in the contractor’s payment certificates.

PICTORIALS

Khayamnandi 479 project is located in Khayamnandi Area A and B development area and located on Uitenhage road (MR448).

KHAYAMNANDI 479 PROJECT		
	Locality	Khayamnandi Development
	Owner	Housing Development Agency and ECDoHS
	Proposed Zoning	BNG subsidy
	Potential Yield	130 Units
	Professional Service Provider	V3 Consulting Engineers

This is an in-situ project, situated in Uitenhage, 4 km away from the CDB. It consists of 110 units.

MANDELAVILLE 110 PROJECT		
	Locality	Khaba Langa Development
	Owner	Housing Development Agency and ECDoS
	Proposed Zoning	BNG subsidy
	Potential Yield	80 Units
	Professional Services Provider	Kantey & Templer Consulting Engineer

Bethelsdorp Rectification Project is an in-situ project situated next to Joe Slovo West in Port Elizabeth. The project is 15km away from the CBD area of Port Elizabeth.

BETHELSDORP RECTIFICATION		
	Locality	Bethelsdorp Rectification
	Owner	Housing Development Agency and ECDoS
	Proposed Zoning	BNG subsidy
	Potential Yield	140 Units

Motherwell NU12 is a Top Structure Project situated in the Motherwell area which is 35 km away from the CBD.

MOTHERWELL NU12 / JOE SLOVO WEST PHASE 2 PROJECT

DEVELOPMENT LAYOUT



Locality	Motherwell Development
Owner	Housing Development Agency and ECDHS
Proposed Zoning	BNG subsidy
Potential Yield	102 Units

2 EVALUATION METHODOLOGY

The evaluation of Bids will be based on the information contained in Bids received in RFP and, which may be further supplemented by presentations and clarification information provided, if required. All Bids shall be equally evaluated and adjudicated by various committees involved in the evaluation process in accordance with stated Evaluation Criteria. Procurement integrity and fairness, transparency, competitiveness and full accountability will at all times be paramount.

2.1 EVALUATION AND SCORING METHODOLOGY

The evaluation of the Bids by the evaluation committee will be conducted at various stages. The following stages will be applied in the evaluation:

STAGE	DESCRIPTION
Admin compliance (Stage 1)	The Bid is checked for completeness and whether all required documentation, certificates; verify completeness warranties and other Bid requirements and formalities have been complied with. The Bids are checked to verify that the essential RFP requirements have been met. Incomplete and Non-compliant Bids may be disqualified.
Technical Evaluation (Stage 2)	Detailed analysis of Bids to determine whether the Bidder is capable of delivering the Project in terms of business and technical requirements. The minimum threshold for technical evaluation is [70%], any bidder who fails to meet the minimum requirement will be disqualified and not proceed with the evaluation of Price and Specific goals.
Price and Specific goals (Stage 3)	Evaluate price and Specific Goals on an 80/20 point system
Bidder Verification (Stage 4)	Verification of information supplied by bidders when completing SBD 4
Recommendation	Report formulation and recommendation of Preferred Bidders
Best and Final Offer	The HDA may go into the Best and Final Offer process in the instance where no bid meets the requirements of the RFP and/or the Bids are to close in terms of points awarded.
Approval	Approval and notification of the final Bidder.

5.2. STAGE 1: COMPLIANCE REQUIREMENTS

Bidders must comply with the following requirements and failure to comply will lead to immediate disqualification.

Mandatory Requirements

Stage 1A- Mandatory Requirements

If you do not submit the following documents your tender will be automatically disqualified:

If you do not submit the following documents your Proposal will be disqualified automatically:

No.	DESCRIPTION OF REQUIREMENT	
a)	Proof of Valid CIDB grading of 6 GB or higher	
b)	Proof of Valid NHBRC certificate	

Stage 1B Basic Compliance

If you do not submit the following basic compliance documents and should an award be made, these basic compliance documents must be made available within seven (7) days, failing which the award will be recalled.

No.	Description of requirement	
a)	Letter of Good Standing: COID	
b)	CSD Report	
C)	Completion of ALL RFP documentation (includes ALL declarations required)	
d)	Signed Joint Venture, Consortium Agreement or Partnering Agreement (whichever is applicable – if applicable)	

5.3. STAGE 2: TECHNICAL / FUNCTIONALITY REQUIREMENTS

Interested bidders shall then be evaluated on functionality after meeting all compliance requirements outlined above. The minimum threshold for technical/functionality requirements is 70% as per the standard Evaluation Criteria presented as per the table above. Bidders who score below this minimum requirement shall not be considered for further evaluation in stage 3.

TECHNICAL/FUNCTIONAL EVALUATION CRITERIA

Details of the scoring methodology presented above are outlined below:

CRITERIA	SUB-CRITERIA	WEIGHTING/ POINTS
Lead Company Profile (Attach Organogram)	<p>Company profile (s) to be submitted should be companies that have worked in the Human settlements' environment. In case of a joint venture, all companies must submit separate profiles, indicating the lead company</p> <ul style="list-style-type: none"> • 10 years and above of experience (20 points) • 9 - 5 years of experience (10 points) • 5 - 1 years of experience (5 points) 	20
Work experience	<p>Experience in Government subsidized low-cost housing projects to be assessed as follows.</p> <p>Attach appointment letters and completion certificates of completed projects within the Human settlements sector, with a construction value of more than R50m. or a scope for 200 units or more. Points will be allocated as follows:</p> <p>0 projects = 0 points 1 project = 5 points 2 projects = 15 points 3 projects = 20 points 4 projects = 30 points 5 or more projects = 40 points</p>	40
CVs of team members proposed to do the work	<p>Demonstrable skills and capacity, level of relevant knowledge and experience. Adequacy and completeness of skills of team presented and fit for task.</p>	30

CRITERIA	SUB-CRITERIA	WEIGHTING/ POINTS
	<p>Project Manager (15) Points A Construction Project Manager or Project Manager _ Registered as Professional Project Manager with SACPCMP</p> <ul style="list-style-type: none"> • 10 years' experience and above = 15 points • 7 - 9 years' experience = 10 points • 5- 6 years' experience = 5 points <p>OHS Officer (10) Points Safety Officer _ Registered with SACPCMP as Health and Safety Officer</p> <ul style="list-style-type: none"> • 5 years relevant experience = 10 points • 3-4 years relevant experience = 5 points 1 – 2 relevant experience = 3 points <p>Site Foremen (5) Points</p> <ul style="list-style-type: none"> • 5 years' experience and above = 5 points • 4-year experience = 3 points • 1 - 3year experience = 2 point 	
<p>Approach, Methodology, Work Plan and Process for construction housing units</p>	<p>Clear work programme (6 points)</p> <p>Implementation plan (2 points)</p> <p>Allocation of resources and tasks (2 points)</p>	<p>10</p>
<p>TOTAL</p>		<p>100</p>

5.4. STAGE 3: PRICING AND SPECIFIC GOALS

The following criteria will be used for points allocation for price and Specific Goals compliance on a 80/20 point system:

Price and Specific Goals

CRITERIA	WEIGHTING/ POINTS
Price	80
Specific goal	20
Total	100

Price

$$P_s = 80 \left(1 - \frac{P_t - P_{min}}{P_{min}} \right)$$

Where

P_S = Points scored for price of tender under consideration

P_t = Rand value of offer tender consideration

P_{min} = Rand value of lowest acceptable tender

Specific Goals Evaluation:

A bidder must submit proof or documentation to claim points for specific goals. A bidder failing to submit proof or documentation to claim points for specific goals will be interpreted to mean that preference points for specific goals are not claimed. The bidder may not be disqualified but will score 0 points out of 20 for specific goals.

Specific goals for the tender and points claimed are indicated per the table below.

(Note to organs of state: 80/20 preference point system is applicable, corresponding points must also be indicated as such.)

The Specific Goals allocated points in terms of this tender	Number of Points	Proof / Documentation required to Claim Points for Specific Goals
Size of Company (Maximum points = 6 points)		
• EME	6	CSD and Sworn Affidavit
• QSE	4	CSD and Sworn Affidavit

The Specific Goals allocated points in terms of this tender	Number of Points	Proof / Documentation required to Claim Points for Specific Goals
<ul style="list-style-type: none"> • GE or others 	2	Letter from Auditors or Authorised person confirming annual turn over
<i>Black Women Owned (Maximum points = 3 points)</i>		
75% - 100%	3	CSD and Sworn Affidavit
51% - 74.99 -	2	CSD and Sworn Affidavit
Below 51%	1	CSD and Sworn Affidavit
<i>Historically Disadvantaged South Africans* (maximum Points = 7)</i>		
<i>Youth (Maximum points 3)</i>	3	CSD
<i>HDSA</i>	2	CSD and Sworn Affidavit
<i>Disabled People</i>	2	CSD and Sworn Affidavit
<i>Locality (maximum Points = 4)</i>		
Proof of office presence in the Eastern Cape	4	Utility bill / lease agreement/ Proof of Building ownership / Letter form Tribal Authority

***Historically disadvantaged South Africans refers to any person, category of persons, or communities disadvantaged by unfair discrimination before the constitution of the Republic of SA, 1993 (ACT No. 2000 of 1993 come into operations.**

3 VALIDITY PERIOD

This RFP shall be valid for *[120 Business days]* calculated from Bid closing date.

4 THE NATIONAL INDUSTRIAL PARTICIPATION PROGRAMME

4.1 National Industrial Participation Programme (NIPP) requirements:

The National Industrial Participation (NIP) Programme, which is applicable to all government procurement contracts that have an imported content, became effective on the 1 September 1996. The NIP policy and guidelines were fully endorsed by Cabinet on 30 April 1997. In terms of the Cabinet decision, all state and parastatal purchases / lease contracts (for goods, works and services) entered into after this date, are subject to the NIP requirements. NIP is obligatory and therefore must be complied with. The Industrial Participation Secretariat (IPS) of the Department of Trade and Industry (DTI) is charged with the responsibility of administering the programme.

Bidders are therefore required to complete SBD 5 to give effect to the above.

5 POST TENDER NEGOTIATION (IF APPLICABLE)

The- HDA reserves the right to conduct post tender negotiations with a shortlist of Bidder(s). The shortlist could comprise of one or more Bidders. Should the HDA conduct post tender negotiations, Bidders will be requested to provide their best and final offers to the HDA based on such negotiations. A final evaluation will be conducted in terms of 80/20.

6 BEST AND FINAL OFFER

The HDA reserves the right to embark on the Best and Final Offer (BAFO) Process where:

- a) None of the proposals meet the RFP requirements;
- b) None of the responses to RFP are affordable and demonstrate value for money; and

Upon the decision by the HDA to embark on a BAFO process it shall notify the response to RFP.

7 FINAL CONTRACT AWARD

The HDA may negotiate the final terms and conditions of the contract with the successful Bidder(s). Bidder

8 FAIRNESS AND TRANSPARENCY

The HDA views fairness and transparency during the RFP Process as an absolute on which the HDA will not compromise. The HDA will ensure that all members of evaluation committees declare any conflicting or undue interest in the process and provide confidentiality undertakings to the HDA.

The evaluation process will be tightly monitored and controlled by the HDA to assure integrity and transparency throughout, with all processes and decisions taken being approved and auditable.

SECTION 3

PRICING AND DELIVERY SCHEDULE

Bidders are required to complete the Pricing Schedule as per **Annexure: 2(Volume 2 /Envelop 2)**

1 PRICING

- 1.1. Prices must be quoted in South African Rand, inclusive of VAT.
- 1.2. Price offer is firm and clearly indicate the basis thereof.
- 1.3. Pricing Bill of Quantity is completed in line with schedule if applicable.
- 1.4. Cost breakdown must be indicated.
- 1.5. Price escalation basis and formula must be indicated.
- 1.6. To facilitate like-for like comparison bidders must submit pricing strictly in accordance with this price schedule and not utilise a different format. Deviation from this pricing schedule could result in a bid being declared non-responsive.
- 1.7. Please note that should you have offered a discounted price(s), the HDA will only consider such price discount(s) in the final evaluation stage on an unconditional basis.
- 1.8. Bidders are to note that if price offered by the highest scoring bidder is not market related, the HDA may not award the contract to the Bidder. The HDA may:
 - 1.8.1. negotiate a market-related price with the Bidder scoring the highest points or cancel the RFP;
 - 1.8.2. if that Bidder does not agree to a market-related price, negotiate a market-related price with the Bidder scoring the second highest points or cancel the RFP; and
 - 1.8.3. if the Bidder scoring the second highest points does not agree to a market-related price, negotiate a market-related price with the Bidder scoring the third highest points or cancel the RFP.
 - 1.8.4. If a market-related price is not agreed with the Bidder scoring the third highest points, the HDA must cancel the RFP.

2 DISCLOSURE OF PRICES QUOTED

Bidders are to note that, on award of business, the HDA is required to publish the tendered prices and preferences claimed of the successful and unsuccessful Bidders inter alia on the National Treasury e-Tender Publication Portal, (www.etenders.gov.za), as required per National Treasury.

3 OWNERSHIP OF DESIGN

1.1. The plans and design developed and to be provided by the HDA shall at all times remain the property of the HDA.]

4 SERVICE LEVELS

4.1. An experienced national account representative(s) is required to work with the HDA’s procurement department. [No sales representatives are needed for individual department or locations]. Additionally, there shall be a minimal number of people, fully informed and accountable for this agreement.

4.2. The HDA will have quarterly reviews with the Service provider’s account representative on an on-going basis.

4.3. The HDA reserves the right to request that any member of the Service provider’s team involved on the HDA account be replaced if deemed not to be adding value for the HDA.

4.4. The Service provider guarantees that it will achieve a 100% [hundred per cent] service level on the following measures:

- 4.4.1. Random checks on compliance with quality/quantity/specifications
- 4.4.2. On time delivery.

4.5. The Service provider must provide a telephone number for customer service calls.

4.6. Failure of the Service provider to comply with stated service level requirements will give the HDA the right to cancel the contract in whole, without penalty to the HDA, giving 30 [thirty] calendar days’ notice to the Service provider of its intention to do so.

Acceptance of Service Levels:

YES	
-----	--

5 TOTAL COST OF OWNERSHIP (TCO)

5.1. The HDA will strive to procure goods, services and works which contribute to its mission. In order to achieve this, the HDA must be committed to working with suppliers who share its goals of continuous improvement in service, quality and reduction of Total Cost of Ownership (TCO).

5.2. Bidders shall indicate whether they would be committed, for the duration of any contract which may be awarded through this RFP process, to participate with the HDA

in its continuous improvement initiatives to reduce the total cost of ownership [TCO], which will reduce the overall cost of services provided by the HDA.

6. FINANCIAL STABILITY

Bidders are required to submit their latest financial statements prepared and signed off by a professional accountant for the past three (3) years with their Proposal in order to enable the HDA to establish financial stability.

SIGNED at _____ on this _____ day of _____
2023

SIGNATURE OF WITNESSES

ADDRESS OF WITNESSES

1 _____

Name _____

2 _____

Name _____

SIGNATURE OF BIDDER'S AUTHORISED REPRESENTATIVE: _____

NAME: _____

DESIGNATION: _____

7. VALIDITY OF RETURNABLE DOCUMENTS

The successful Bidder will be required to ensure the validity of all returnable documents, including but not limited to its Tax compliance on CSD, for the duration of any contract emanating from this RFP. Should the Bidder be awarded the contract [the Agreement] and fail to present the HDA with such renewals as and when they become due, the HDA shall be entitled, in addition to any other rights and remedies that it may have in terms of the eventual Agreement, to terminate such Agreement forthwith without any liability and without prejudice to any claims which the HDA may have for damages against the Bidder.

SIGNED at _____ on this _____ day of _____ 2024

SIGNATURE OF WITNESSES

ADDRESS OF WITNESSES

1 _____

Name _____

2 _____

Name _____

SIGNATURE OF BIDDER'S AUTHORISED REPRESENTATIVE: _____

NAME: _____

DESIGNATION: _____



8. CERTIFICATE OF ACQUAINTANCE WITH RFP TERMS & CONDITIONS & APPLICABLE DOCUMENTS

By signing this certificate the Bidder is deemed to acknowledge that he/she has made himself/herself thoroughly familiar with, and agrees with all the conditions governing this RFP, including those contained in any printed form stated to form part hereof, including but not limited to the documents stated below and the HDA will recognise no claim for relief based on an allegation that the Bidder overlooked any such condition or failed properly to take it into account for the purpose of calculating tendered prices or any other purpose:

1. The HDA’s General Bid Conditions*
2. Standard RFP Terms and Conditions for the supply of Goods or Services or Works to The HDA

Should the Bidder find any terms or conditions stipulated in any of the relevant documents quoted in the RFP unacceptable, it should indicate which conditions are unacceptable and offer alternatives by written submission on its company letterhead, attached to its submitted Bid. Any such submission shall be subject to review by the HDA’s Legal department who shall determine whether the proposed alternative(s) are acceptable or otherwise, as the case may be. A material deviation from the Standard terms or conditions could result in disqualification.

Bidders accept that an obligation rests on them to clarify any uncertainties regarding any bid to which they intend to respond, before submitting the bid. The Bidder agrees that he/she will have no claim based on an allegation that any aspect of this RFP was unclear but in respect of which he/she failed to obtain clarity.

The bidder understands that his/her Bid will be disqualified if this Certificate of Acquaintance with RFP documents included in the RFP as a returnable document, is found not to be true and complete in every respect.

SIGNED at _____ on this _____ day of _____ 2024

SIGNATURE OF WITNESSES

ADDRESS OF WITNESSES

1 _____

Name _____

SIGNATURE OF BIDDER'S AUTHORISED REPRESENTATIVE: _____

NAME: _____

DESIGNATION: _____

9. GENERAL CONDITIONS

9.1. THE HDA'S TENDER FORMS

Bidders must sign and complete the HDA's Bid Forms and attach all the required documents. Failure by Bidders to adhere to this requirement may lead to their disqualification.

9.2. PRECEDENT

In case of any conflict with this RFP and Bidders response, this RFP and its briefing notes shall take precedence.

9.3. RESPONSE TO RFP-CONFIDENTIALITY

Response to RFPs must clearly indicate whether any information conveyed to or requested from the HDA is confidential or should be treated confidentially by the HDA. In the absence of any such clear indication in writing from a response to RFP, the HDA shall deem the response to RFP to have waived any right to confidentiality and treat such information as public in nature.

Where a Bidder at any stage during the RFP Process indicates to the HDA that information or any response to RFP requested from the HDA is or should be treated confidentially, the HDA shall treat such information or response to RFP confidentially, unless the HDA believes that to ensure the transparency and competitiveness of the RFP Process the content of the information or response to RFP should be conveyed to all Bidders, in which event it shall apply the following process:

- The HDA shall confirm with the Bidder whether the raising of confidentiality applies to the entire response to the RFP or only specific elements or sections of the response;
- Where confidentiality is maintained by the Bidder and the HDA is of the opinion that the information or response to RFP if made publicly available would affect the commercial interests of the Bidder or is commercially sensitive information, the HDA shall not release such information to other Bidders if providing such information or response to the RFP would prejudice the competitiveness and transparency of the RFP Process;
- Where the HDA is of the opinion that information provided is not commercially sensitive or would have no impact on the commercial interests of the relevant Bidder if released and fairness and transparency requires that such information be released to all Bidders, the HDA may:
 - i. inform the relevant Bidder of the necessity to release such information and/or response to RFP and request the Bidder to consent to the release thereof by the HDA; or
 - ii. obtain legal advice regarding the confidentiality of the relevant information and/or response to RFP and the legal ability of the HDA to release such information; or
 - iii. refrain from releasing the information and/or response to RFP, in which event the HDA shall not take account of the contents of such information in the evaluation of the relevant response to RFP.

The above procedures regarding confidentiality shall not apply to any information which is already public knowledge or available in the public domain or in the hands of the HDA or is required to be disclosed by any legal or regulatory requirements or order of any competent court, tribunal or forum.

9.4. RESPONSE TO THE RFP – RFP DISQUALIFICATION

Responses to RFP which do not comply with the RFP requirements, formalities, terms and conditions may be disqualified by the HDA from further participation in the RFP Process.

In particular (but without prejudice to the generality of the foregoing) the HDA may disqualify, at its sole discretion and without prejudice to any other remedy it may have, a Bidder where the Bidder, or any of its consortium/Joint venture members, subcontractors or advisors have committed any act of misrepresentation, bad faith or dishonest conduct in any of its dealings with or information provided to the HDA.

9.5. CORRUPTION, GIFTS AND PAYMENTS

Neither the Bidders to RFPs, its equity members, the sub-contractors, consortium members nor any of their agents, lenders or advisors shall directly or indirectly offer or give to any person in the employment of the HDA or any other Government official or any of the Advisory Team any gift or consideration of any kind as an inducement or reward for appointing a particular Bidder, or for showing or omitting to show favour or disfavour to any of the Bidders, its equity members or the sub-contractors in relation to the Project.

In the event that any of the prohibited practices contemplated under the above paragraph is committed, the HDA shall be entitled to terminate any Response to RFP's status and to prohibit such Bids to RFP, its equity members, its Sub Contractors and their agents, lenders and advisors from participating in any further part of the procurement of the Project.

9.6. INSURANCE

Unless specifically provided for in this RFP or draft contracts, Bidders will be required to submit with their Bid for services professional indemnity insurance and works insurance to an extent (if any) if insurance provided by the HDA may not be for the full cover required in terms of the relevant category listed in this RFP. The Bidder is advised to seek qualified advice regarding insurance.

9.7. NO CONTACT POLICY

Bidders may only contact the supply chain official of the HDA as per the terms of the Communication Structure established by this RFP, except in the case of pre-existing commercial relationships, in which case contact may be maintained only with respect thereto and, in making such contact, no party may make reference to the Project or this RFP.

9.8. CONFLICT OF INTEREST

No Bidder member, subcontractor or advisor of the response to RFP may be a member of or in any other way participate or be involved, either directly or indirectly in more than one response to RFP or response to RFP during any stage of the Project procurement process, but excluding specialist suppliers of systems and equipment, non-core service providers or financial or commercial institutions whose role is limited purely to lending money or advancing credit to the response to RFP. Bidders are to sign the declaration of interest form. In order to prevent the conflict or potential conflict of interest between Lenders and Bidders to RFP, no advisors or the Contractor/s or Consortium/s to any response to RFP, consortium member or subcontractor may fulfil the role of arranger, underwriter and/or lead bank to the response to RFP. The HDA may disqualify the response to RFP from further participation in the event of a failure to comply with this provision. The HDA views the potential conflict of interest so great as to warrant the reduction of competition for advisory services.

9.9. COLLUSION AND CORRUPTION

Any Bidder shall, without prejudice to any other remedy available to the HDA, be disqualified, where the response to RFP –

- communicates to a person other than persons nominated by the HDA a material part of its response to RFP; or
- Enters into any Contract or arrangement with any other person or entity that it shall refrain from submitting a response to RFP to this RFP or as to any material part of its Response to RFP to this RFP (refer the prohibition contained in Section 4(1)(b)(iii) of the Competition Act 89 of 1998). . The Bidders represents that the Bidder has not, directly or indirectly, entered into any agreement, arrangement or understanding or any such like for the purpose of, with the intention to, enter into collusive Biding or with reasonable appreciation that, collusive any agreement, arrangement or understanding or any such

like may result in or have the effect of collusive Biding. The Bidder undertakes that in the process of the Bid but prior to the HDA awarding the Bid to a preferred bidder become involved in or be aware of or do or caused to be done any agreement, arrangement or understanding or any such like for the purpose of or which may result in or have the effect of a collusive Bid, the Bidder will notify the HDA of such any agreement, arrangement or understanding or any such like.; or

- offers or agrees to pay or give any sum of money, inducement or valuable consideration directly or indirectly to any person for doing or having done, or causing, or having caused to be done any act or omission in relation to the RFP Process or any proposed response to RFP (provided nothing contained in this paragraph shall prevent a response to RFP from paying any market-related commission or bonus to its employees or contractors within the agreed terms of their employment or contract).

9.10. CONSORTIUM CHANGES

If exceptional circumstances should arise in which after the submission of the bid and after closing date of submission of bids, there is change in the composition of the members of the consortium, either through substitution or omission of any member of the consortium for the purpose of this RFP:

- The Bidder to RFP must notify the HDA in writing of the proposed changes supported by complete details of the material reasons for the changes, the parties impacted by the changes and the impact on the response to RFP.
- The HDA shall evaluate the reasons advanced by the Bidder for the requested changes to the Bidder structure and where the HDA is not satisfied that the reasons advanced are reasonable or material, refuse to accept the change and disqualify the response to RFP, or notify the Bidder in writing of its non-acceptance of the changes and require the Bidder to propose a suitable alternative to the HDA within 10 (TEN) days of its receipt of the decision of the HDA, upon receipt of which the HDA shall -
 - i. Evaluate the alternative proposed for suitability to the HDA, and where the alternative is accepted by the HDA, inform the Bidder in writing of such acceptance and the HDA shall reassess the response to RFP against the RFP requirements and criteria; or
 - ii. Where the alternative is not accepted by the HDA, inform the Bidder in writing of such non-acceptance as well as its disqualification from the RFP Process.
 - iii. Where the HDA is satisfied that the changes requested under (i) above are reasonable and material, the response to RFP, shall be allowed to effect the required changes and the HDA shall reassess the response to RFP against the RFP requirements and criteria.

9.11. COSTS OF RESPONSE TO THE RFP SUBMISSION

All costs and expenses associated with or incurred by the Bidder in relation to any stage of the Project, shall be borne by the Bidder. The HDA shall not be liable for any such costs or expenses or any claim for reimbursement of such costs or expenses.

To avoid doubt, the HDA shall not be liable for any samples submitted by the Bidder in support of their Responses to RFP and reserves the right not to return to them such samples and to dispose of them at its discretion.

9.12. RESPONSE TO THE RFP WARRANTY

Bidders must provide a warranty as part of their Responses to RFP that their Responses to RFP are true and correct in all respects, that it does not contain a misrepresentation of any kind and that the taxes of all members of the Bidder company, consortium members and or subcontractors are in order and none of the members are undergoing corruption or any criminal-related investigations or have any past convictions for fraud or corruption.

10. CONDITIONS OF TENDER

General

- | | | |
|---|---|--|
| Actions | 1 | The HDA's <i>Representative</i> and each <i>tenderer</i> submitting a tender shall act as stated in these Conditions of Tender and in a manner which is fair, equitable, transparent, competitive and cost-effective. |
| Interpretation | 2 | Terms shown in <i>italics</i> vary for each tender. The details of each term for this tender are identified in the Request for Tender / Scope of work/ specification. Terms shown in capital initials are defined terms in the appropriate conditions of contract. |
| | 3 | Any additional or amended requirements in the Scope of work/ specification, and additional requirements given in the Schedules in the <i>tender returnables</i> are deemed to be part of these Conditions of Tender. |
| | 4 | The Conditions of Tender and the Scope of work/ specification shall form part of any contract arising from this invitation to tender. |
| Communication | 5 | Each communication between the HDA and a <i>tenderer</i> shall be to or from the HDA's <i>Representative</i> only, and in a form that can be read, copied and recorded. Communication shall be in the English language. The HDA takes no responsibility for non-receipt of communications from or by a <i>tenderer</i> . |
| THE HDA's rights to accept or reject any tender | 6 | The HDA may accept or reject any variation, deviation, tender, or alternative tender, and may cancel the tender process and reject all tenders at any time prior to the formation of a contract. The HDA or the HDA's <i>Representative</i> will not accept or incur any liability to a <i>tenderer</i> for such cancellation and rejection, but will give reasons for the action. The HDA reserves the right to accept the whole or any part of any tender. |
| | 7 | After the cancellation of the tender process or the rejection of all tenders the HDA may abandon the proposed work and services, have it performed in any other manner, or re-issue a similar invitation to tender at any time. |

Tenderer's obligations

The *tenderer* shall comply with the following obligations when submitting a tender and shall:

- | | | |
|---|----|--|
| Eligibility | 1 | Submit a tender only if the <i>tenderer</i> complies with the criteria stated in the Scope of work/ specification. |
| Cost of tendering | 2 | Accept that the HDA will not compensate the <i>tenderer</i> for any costs incurred in the preparation and submission of a tender. |
| Check documents | 3 | Check the <i>tender documents</i> on receipt, including pages within them, and notify the HDA's <i>Representative</i> of any discrepancy or omissions in writing. |
| Copyright of documents | 4 | Use and copy the documents provided by the HDA only for the purpose of preparing and submitting a tender in response to this invitation. |
| Standardised specifications and other publications | 5 | Obtain, as necessary for submitting a tender, copies of the latest revision of standardised specifications and other publications, which are not attached but which are incorporated into the <i>tender documents</i> by reference. |
| | 6 | Acknowledge receipt of Addenda / Tender Briefing Notes to the <i>tender documents</i> , which the HDA's <i>Representative</i> may issue, and if necessary apply for an extension to the <i>deadline for tender submission</i> , in order to take the Addenda into account. |
| Site visit and / or clarification meeting | 7 | Attend a site visit and/or clarification meeting at which <i>tenderers</i> may familiarise themselves with the proposed work, services or supply, location, etc. and raise questions, if provided for in the Scope of work/ specification. Details of the meeting are stated in the RFP document, e-tender website and CIDB website. |
| Seek clarification | 8 | Request clarification of the <i>tender documents</i> , if necessary, by notifying the HDA's <i>Representative</i> earlier than the <i>closing time for clarification of queries</i> . |
| Insurance | 9 | Be informed of the risk that needs to be covered by insurance policy. The <i>tenderer</i> is advised to seek qualified advice regarding insurance. |
| Pricing the tender | 10 | Include in the rates, prices, and the tendered total of the prices (if any) all duties, taxes (except VAT), and other levies payable by the |

successful *tenderer*. Such duties, taxes and levies are those applicable 14 days prior to the *deadline for tender submission*.

- | | |
|---------------------------------|--|
| 11 | Show Value Added Tax (VAT) payable by The HDA separately as an addition to the tendered total of the prices. |
| 12 | Provide rates and prices that are fixed for the duration of the contract and not subject to adjustment except as provided for in the <i>conditions of contract</i> . |
| 13 | State the rates and Prices in South African Rand unless instructed otherwise as an additional condition in the Scope of work/ specification. The selected <i>conditions of contract</i> may provide for part payment in other currencies. |
| Alterations to documents | 14 Not make any alterations or an addition to the tender documents, except to comply with instructions issued by the HDA's <i>Representative</i> or if necessary to correct errors made by the <i>tenderer</i> . All such alterations shall be initialled by all signatories to the tender. Corrections may not be made using correction fluid, correction tape or the like. |
| Submitting a tender | 15 Submit a tender for providing the whole of the works, services or supply identified in the Contract Data unless stated otherwise as an additional condition in the Scope of work/ specification. |
| NOTE: | 16 Return the completed and signed <i>Tender document and SBD forms provided with the tender</i>. |
| | 17 Submit the <u>tender as an original</u> and an electronic version which must be contained in USB clearly marked in the Bidders name as stated. Tenders may not be written in pencil but must be completed in ink. |
| | 18 Sign and initial the original tender where indicated. The HDA will hold the signatory duly authorised and liable on behalf of the <i>tenderer</i> . |
| | 19 Seal the bid document in an envelope/package, the HDA's address and invitation to tender number stated in the Scope of work/ specification, as well as the <i>tenderer's</i> name and contact address should be written on the envelope /package . Where the tender is based on a two envelop system tenderers must further indicate in the package whether the document is envelope / package 1 or 2 . The envelope/package must be marked "CONFIDENTIAL" . |

- 20 Accept that the HDA will not assume any responsibility for the misplacement or premature opening of the tender if the outer package is not sealed and marked as stated.

Note:

The HDA does not to receive BIDS by post, and takes no responsibility for delays in the postal system or in transit within or between the HDA offices.

The HDA does not to receive tenders by fax, the HDA takes no responsibility for difficulties in transmission caused by line or equipment faults.

Where tenders are sent via courier, the HDA takes no responsibility for tenders delivered to any other site than the tender office.

The HDA employees are not permitted to deposit a tender into the HDA tender box on behalf of a tenderer.

- | | | |
|---|----|--|
| Closing time | 25 | Ensure that the HDA has received the tender at the stated address no later than the <i>deadline for tender submission</i> . Proof of posting will not be taken by the HDA as proof of delivery. The HDA will not accept a tender submitted telephonically, by Fax or E-mail unless stated otherwise in the tender document. |
| | 26 | Accept that, if the HDA extends the <i>deadline for tender submission</i> for any reason, the requirements of these Conditions of Tender apply equally to the extended deadline. |
| Tender validity | 27 | Hold the tender(s) valid for acceptance by the HDA at any time within the <i>validity period</i> after the <i>deadline for tender submission</i> . |
| | 28 | Extend the <i>validity period</i> for a specified additional period if the HDA requests the <i>tenderer</i> to extend it. A <i>tenderer</i> agreeing to the request will not be required or permitted to modify a tender, except to the extent the HDA may allow for the effects of inflation over the additional period. |
| Clarification of tender after submission | 29 | Provide clarification of a tender in response to a request to do so from the HDA's <i>Representative</i> during the evaluation of tenders. This may include providing a breakdown of rates or Prices. No change in the total of the Prices or substance of the tender is sought, offered, or permitted except as required by the HDA's <i>Representative</i> to confirm the correction of arithmetical errors discovered in the evaluation of tenders. The total of the Prices stated by the <i>tenderer</i> as corrected by |

the HDA's *Representative* with the concurrence of the *tenderer*, shall be binding upon the *tenderer*

- | | | |
|------------------------------------|----|---|
| Submit bonds, policies etc. | 30 | If instructed by the HDA's <i>Representative</i> (before the formation of a contract), submit for the HDA's acceptance, the bonds, guarantees, policies and certificates of insurance required to be provided by the successful <i>tenderer</i> in terms of the <i>conditions of contract</i> . |
| | 31 | Undertake to check the final draft of the contract provided by the HDA's <i>Representative</i> , and sign the Form of Agreement all within the time required. |
| | 32 | Where an agent on behalf of a principal submits a tender, an authenticated copy of the authority to act as an agent must be submitted with the tender. |

THE HDA'S UNDERTAKINGS

The HDA, and the HDA's *Representative*, shall:

- | | | |
|---------------------------------|---|--|
| Respond to clarification | 1 | Respond to a request for clarification received earlier than the <i>closing time for clarification of queries</i> . The response is notified to all <i>tenderers</i> . |
| Issue Addenda | 2 | If necessary, issue to each <i>tenderer</i> from time to time during the period from the date of the Letter of Invitation until the <i>closing time for clarification of queries</i> , Addenda that may amend, amplify, or add to the <i>tender documents</i> . If a <i>tenderer</i> applies for an extension to the <i>deadline for tender submission</i> , in order to take Addenda into account in preparing a tender, the HDA may grant such an extension and the HDA's <i>Representative</i> shall notify the extension to all <i>tenderers</i> . |
| Return late tenders | 3 | Reject tenders received after the <i>deadline</i> . Tenders will be deemed late if they are not in the designated tender box at the date and time stipulated as the deadline for tender submission. |
| Non-disclosure | 4 | Not disclose to <i>tenderers</i> , or to any other person not officially concerned with such processes, information relating to the evaluation and comparison of tenders and recommendations for the award of a contract. |
| Grounds for rejection | 5 | Consider rejecting a tender if there is any effort by a <i>tenderer</i> to influence the processing of tenders or contract award. |

Disqualification	6	Instantly disqualify a <i>tenderer</i> (and his tender) if it is established that the <i>tenderer</i> offered an inducement to any person with a view to influencing the placing of a contract arising from this invitation to tender.
Test for responsiveness	7	Determine before detailed evaluation, whether each tender properly received <ul style="list-style-type: none"> • meets the requirements of these Conditions of Tender, • has been properly signed, and • is responsive to the requirements of the <i>tender documents</i>.
	8	Judge a responsive tender as one which conforms to all the terms, conditions, and specifications of the <i>tender documents</i> without material deviation or qualification. A material deviation or qualification is one which, in the HDA 's opinion would <ul style="list-style-type: none"> • detrimentally affect the scope, quality, or performance of the works, services or supply identified in the Contract Data, • change the HDA's or the <i>tenderer's</i> risks and responsibilities under the contract, or • affect the competitive position of other <i>tenderers</i> presenting responsive tenders, if it were to be rectified.
Non-responsive tenders	10	Reject a non-responsive tender, and not allow it to be subsequently made responsive by correction or withdrawal of the non-conforming deviation or reservation.
Arithmetical errors	11	Check responsive tenders for arithmetical errors, correcting them as follows: <ul style="list-style-type: none"> • Where there is a discrepancy between the amounts in figures and in words, the amount in words shall govern. • If a bill of quantities applies and there is a discrepancy between the rate and the line item total, resulting from multiplying the rate by the quantity, the rate as quoted shall govern. Where there is an obviously gross misplacement of the decimal point in the rate, the line item total as quoted shall govern, and the rate will be corrected. • Where there is an error in the total of the Prices, either as a result of other corrections required by this checking process or in the <i>tenderer's</i> addition of prices, the total of the Prices, if any, will be corrected.
	12	Reject a tender if the <i>tenderer</i> does not accept the corrected total of the Prices (if any).
Evaluating the tender	13	Evaluate responsive tenders in accordance with the procedure stated in the RFP / Scope of work/ specification.

- | | | |
|---|----|---|
| Clarification of a tender | 14 | Obtain from a <i>tenderer</i> clarification of any matter in the tender which may not be clear or could give rise to ambiguity in a contract arising from this tender if the matter were not to be clarified. |
| Acceptance of tender | 15 | Notify the HDA's acceptance to the successful <i>tenderer</i> before the expiry of the <i>validity period</i> , or agreed additional period. Providing the notice of acceptance does not contain any qualifying statements, it will constitute the formation of a contract between the HDA and the successful <i>tenderer</i> . |
| Notice to unsuccessful tenderers | 16 | After the successful <i>tenderer</i> has acknowledged the HDA's notice of acceptance, notify other <i>tenderers</i> that their tenders have not been accepted, following the HDA's current procedures. |
| Prepare contract documents | 17 | Revise the contract documents issued by the HDA as part of the <i>tender documents</i> to take account of <ul style="list-style-type: none"> • Addenda issued during the tender period, • inclusion of some of the <i>tender returnables</i>, and • other revisions agreed between THE HDA and the successful <i>tenderer</i>, before the issue of THE HDA's notice of acceptance (of the tender). |
| Issue final contract | 18 | Issue the final contract documents to the successful <i>tenderer</i> for acceptance within one week of the date of the HDA's notice of acceptance. |
| Sign Form of Agreement | 19 | Arrange for authorised signatories of both parties to complete and sign the original Form of Agreement within two weeks of the date of the HDA's notice of acceptance of the tender. If either party requires the signatories to initial every page of the contract documents, the signatories for the other party shall comply with the request. |

Annexure: 1

SCOPE OF WORK

The HDA requires the services of two (2) Contractors for the Construction of 400 Top Structures within the Nelson Mandela Bay Metropolitan area (Eastern Cape).

Bidders are required to indicate (by a tick) in the space provided in the third column of the below table which of the two projects they wish to bid for. Bidders may **ONLY BID FOR ONE PROJECT**. Failure to follow instruction or indicate the preferred project will result in disqualification from the process.

Project Name	No. Units	Tick
PROJECT 1		
Khayamnandi 479	41	
Mandelaville 110	40	
Bethelsdorp 693	100	
Total	181	
PROJECT 2		
NU12 Motherwell	27	
Joe Slovo West Phase 2	192	
Total	219	

Bethelsdorp Rectification Project

5. 100 no. houses to be demolished and construct new dwellings.
6. Rubble to be cart away
7. Temporary shelters to be provided
8. New housing units to be built as per Engineers design for raft foundations and house plan specifications.

Khayamnandi 479

4. Demolish 16 no. existing slabs and construct top structures as per Engineers drawings
5. Rectify 15 no. existing slabs and construct 15 no. top structures from rectified slab level as per Engineer's design
6. Construct 10 no. top structures on approved foundations from slab level as per house design and specifications

Mandelaville

2. Construct 40 no. top structures as per Engineers designs for raft foundations and house plan specifications.

Motherwell NU12

2. 27 no. semi-detached top structures as per Engineers designs for foundations and house plan specifications.

Joe Slovo West Phase 2

1. 192 no. free standing 40m² housing units to be build. PSP has been appointed and are currently busy with foundation designs and house plans . Service Providers still to be appointed for the construction of houses.

REPORTING

The service providers will be expected to attend bi- weekly site (technical) meetings, monthly strategic (progress) meetings with all the Principal Agents / developer and Agency project manager responsible for the projects.

The successful Service Providers must produce and submit weekly and monthly reports covering:

Weekly and Monthly project progress reports (milestone reporting, financial/budgetary, quality control/ assurance reporting), risk and social facilitation reports or any specific reporting that may be required.

Scope of work and areas of focus

Structural Engineering requirements in accordance with SANSX400 and Competent Person's approval

The major elements that will fall within the responsibility of the Structural Engineer are:

- a) Appropriate house (40sqm) foundations(raft).
- b) Load bearing vertical block work support system.
- c) The horizontal U-block ring beam support; and
- d) Approval of timber nail plated roof trusses and structure prepared by the fabricator's 'Competent person'
- e) Completion certificate for each milestone by competent person for satisfactory completion of structural work.

- Quality Assurance report.
- House plans, foundation and retaining walls designs.

The Structural Engineer are responsible of the said House Specifications and plans of the Top Structures. Part of the structural integrity specifications amongst others, are the:

- Design and Reinforced concrete strength, grade, etc. for the raft foundation and apron
- Cement types and grades to be used.
- Sand quality and specification to be used for mortar and plaster.
- Tolerances - degree of accuracy to be applied to all work
- Reinforced U beam specification
- Block work reinforcement type to be specified for use in mortar course requirements.
- Mortar class and quality control requirements.
- Timber roof trusses "shop drawings" from the contractor's appointed designer and manufacturer shall be submitted to the Project Structural Engineer for approval and confirmation that the Fabricator holds a prevailing Certificate of Competence.
- Quality control standards and communication procedures in respect to the structural components of individual house.


Electrical Engineering installations requirements

The major design elements will fall within the responsibility of the Electrical Engineer and the Contractor are responsible for installations in accordance with the approved designs by the Electrical Engineer.


- Electrical sub-contractor’s work must be in line with the Local Authority by- laws.
- Electrical installations must be certified and signed off by the Electrical Engineer for inclusion in the contractor’s payment certificates.

PICTORIALS

Khayamnandi 479 project is located in Khayamnandi Area A and B development area and located on Uitenhage road (MR448).

KHAYAMNANDI 479 PROJECT		
	Locality	Khayamnandi Development
	Owner	Housing Development Agency and ECDoS
	Proposed Zoning	BNG subsidy
	Potential Yield	130 Units
	Professional Service Provider	V3 Consulting Engineers

This is an in-situ project, situated in Uitenhage, 4 km away from the CDB. It consists of 110 units.

MANDELAVILLE 110 PROJECT		
DEVELOPMENT LAYOUT	Locality	Khaba Langa Development
	Owner	Housing Development Agency and ECDoS
	Proposed Zoning	BNG subsidy
	Potential Yield	80 Units
	Professional Services Provider	Kantey & Templer Consulting Engineer

Bethelsdorp Rectification Project is an in-situ project situated next to Joe Slovo West in Port Elizabeth. The project is 15km away from the CBD area of Port Elizabeth.

BETHELSDORP RECTIFICATION		
DEVELOPMENT LAYOUT	Locality	Bethelsdorp Rectification
	Owner	Housing Development Agency and ECDoS
	Proposed Zoning	BNG subsidy
	Potential Yield	140 Units

Motherwell NU12 is a Top Structure Project situated in the Motherwell area which is 35 km away from the CBD.

MOTHERWELL NU12 / JOE SLOVO WEST PHASE 2 PROJECT

DEVELOPMENT LAYOUT



Locality	Motherwell Development
Owner	Housing Development Agency and ECDHS
Proposed Zoning	BNG subsidy
Potential Yield	102 Units

FORM C: TENDER FORM- Volume 2 (Envelop 2/ Package 2)

CURRENT TENDER DETAILS	
Request number:	HDA/EC/2024/005
Request for Tender:	APPOINTMENT OF TWO (2) CONTRACTORS FOR THE CONSTRUCTION OF 400 TOP STRUCTURES WITHIN THE NELSON MANDELA BAY METROPOLITAN AREA (EASTERN CAPE).

I / We

(Insert Name of Tendering Entity)

Of

(Full address)

Conducting business under the style or title of:

Represented by:

in my capacity as:

being duly authorised thereto by a Resolution of the Board of Directors / Certificate of Partners, Members or Participants, as the case may be, dated _____, a certified copy of which is annexed hereto, hereby offer to undertake and complete the above-mentioned work (hereinafter called “the WORKS”) at the prices quoted in the bills of quantities / schedule of quantities or, where these do not form part of the contract, at a lump sum, in accordance with the terms set forth in the accompanying letter(s) reference _____ and dated _____ (if any) and the documents listed in the accompanying schedule of tender documents for the sum of R _____

_____ (amount in words), (All applicable taxes included)

- N.B.** (i) In the event of any discrepancy, the amount in words will take precedence over the amount in figures.
- (ii) Where items in the priced bills of quantities submitted with the tender for the WORKS other than architectural building work are incorrectly extended arithmetically, the unit rate will be treated as decisive.
- (iii) In tenders for architectural building work the total amount will be treated as decisive. If amounts for individual items cannot be reconciled with the total amount, the amounts for individual items shall be adjusted to the satisfaction of the HDA to conform to the total amount.

The following list of persons are hereby authorised to negotiate on behalf of the abovementioned entity, should THE HDA decide to enter into Post Tender Negotiations with shortlisted bidder(s).

FULL NAME (S)	CAPACITY:	SIGNATURE:

I/We hereby offer to supply the abovementioned Services at the prices quoted in the schedule of prices in accordance with the terms set forth in the documents listed in the accompanying schedule of RFP documents.

I / We accept that should the HDA accept my / our tender and issue me / us with the notice of acceptance, this tender and, if any, its covering letter and any subsequent exchange of correspondence together with the HDA acceptance thereof, such acceptance shall be subject to a written contract to be concluded between the HDA and me / us.

I / We undertake to produce acceptable documentary proof of the necessary coverage for Workmen's Compensation, Securities and Insurance within **30 (thirty)** working days of notification of awarding of the contract, and to sign a formal contract if called upon by the HDA to do so within **7 (seven)** working days of notification by the HDA that the contract documents are ready for signature.

I / We undertake to complete the whole of the WORKS within _____
(in words) from the date of notification to me / us of acceptance of the tender, subject to completion in stages if and as laid down in the project specification and to such extensions of time as may be granted. Failing completion of the WORKS or any stage of the WORKS within the period(s) stipulated or by such extended date(s) as may be allowed by the HDA I / we shall pay to the HDA in terms of the Conventional Penalties Act 15 of 1962, the penalty for which provision is made in the project specification. The ordering of any alterations, extras, additions or omissions shall not in any way prejudice the HDA claim for such penalty.

Application for relief from the obligation to pay a penalty will be considered by the HDA, but shall be granted only if I / we can prove to the reasonable satisfaction of the HDA that the penalty is out of proportion to the prejudice suffered by the HDA by reason of the act or omission in respect of which the penalty was stipulated.

I / We declare that this tender holds good until _____ **(a minimum period of 120 days from closing date is required).**

I / We further agree that if, after I / we have been notified of the acceptance of my / our tender, I / we fail to enter into a formal contract if called upon to do so, or fail to furnish satisfactory security for the due and proper completion of the WORKS, the HDA may, without prejudice to any other legal remedy which it may have, recover from me / us any expense to which it may have been put in calling for tenders afresh and / or having to accept any less favourable tender.

I / We declare that, being a company / partnership / close corporation / joint venture, I / we have duly completed the annexe hereto and certified it as correct.

The several documents involved are to be taken as complementary to each other. In the event of any conflict between the content of any of the documents listed in the schedule of tender documents (other than the project specification) and the project specification, the latter shall prevail. In the event of any conflict between the letter that accompanies the tender or other

relevant correspondence and the contents of the documents listed in the schedule of tender documents (including the project specification) such letter or correspondence shall prevail.

I/we agree that non-compliance with any of the material terms of this RFP, including those mentioned above, will constitute a material breach of contract and provide the HDA with cause for cancellation.

THUS DONE and SIGNED at _____
on this _____ day of _____

DULY AUTHORISED SIGNATORY(IES) WITNESSES

- | | | | |
|----|-------|----|-------|
| 1. | _____ | 1. | _____ |
| 2. | _____ | 2. | _____ |
| 3. | _____ | 3. | _____ |

Annexure: 2

PRICING SCHEDULE – PROJECT 1

Project Name	No. Units	Subsidy Quantum Amount (per unit)	TOTAL
Project 1			
Khayamnandi 479			
Rectification of Slabs	15	R 145 277,31	R 2 179 159.60
Demolish Slab & Rebuild House	16	R 182 071,78	R 2 913 148.40
Slab level to completion	10	R 119 956,00	R 1 199 560.00
Total	41		
Mandelaville 110	40	R 146 226,12	R 5 849 044.80
Bethelsdorp 693	100	R 177 766,51	R 17 776 651.00
Total VAT Zero rated	181		R 29 917 563.00

In terms of a ruling by the former Commissioner of Inland Revenue, housing subsidies fall within the definition of “transfer payments” as contemplated in the Value Added Tax Act, 1991 (Act No. 22 of 1991) and are subject to VAT at a rate of zero percent (0%)”.

.....
 Signature Date

 Position Name of bidder

PRICING SCHEDULE – PROJECT 2

Project Name	No. Units	Subsidy Quantum Amount (per unit)	TOTAL
Project 2			
NU12 Motherwell	27	R 206 484,00	R 5 575 068.00
Joe Slovo West Phase 2	192	R 206 484,00	R 39 644 928.00
Total VAT Zero rated	219		R 45 219 996.00

In terms of a ruling by the former Commissioner of Inland Revenue, housing subsidies fall within the definition of “transfer payments” as contemplated in the Value Added Tax Act, 1991 (Act No. 22 of 1991) and are subject to VAT at a rate of zero percent (0%)”.

..... Signature Date
..... Position Name of bidder

**PART A
INVITATION TO BID**

YOU ARE HEREBY INVITED TO BID FOR REQUIREMENTS OF THE (NAME OF DEPARTMENT/ PUBLIC ENTITY)					
BID NUMBER:	HDA/EC/2024/005	CLOSING DATE:	13 May 2024	CLOSING TIME:	11:00
DESCRIPTION	APPOINTMENT OF TWO (2) CONTRACTORS FOR THE CONSTRUCTION OF 400 TOP STRUCTURES WITHIN THE NELSON MANDELA BAY METROPOLITAN AREA (EASTERN CAPE)				
BID RESPONSE DOCUMENTS MAY BE DEPOSITED IN THE BID BOX SITUATED AT (STREET ADDRESS)					
THE HOUSING DEVELOPMENT AGENCY					
6-7 Donald Road,					
East London, Vincent Park,					
Eastern Cape, 5247					
BIDDING PROCEDURE ENQUIRIES MAY BE DIRECTED TO			TECHNICAL ENQUIRIES MAY BE DIRECTED TO:		
CONTACT PERSON	MXOLISI ZONDO		CONTACT PERSON	MXOLISI ZONDO	
TELEPHONE NUMBER	0115441000		TELEPHONE NUMBER	0115441000	
FACSIMILE NUMBER			FACSIMILE NUMBER		
E-MAIL ADDRESS	Mxolisi.Zondo@thehda.co.za		E-MAIL ADDRESS	Mxolisi.Zondo@thehda.co.za	
SUPPLIER INFORMATION					
NAME OF BIDDER					
POSTAL ADDRESS					
STREET ADDRESS					
TELEPHONE NUMBER	CODE		NUMBER		
CELLPHONE NUMBER					
FACSIMILE NUMBER	CODE		NUMBER		
E-MAIL ADDRESS					
VAT REGISTRATION NUMBER					
SUPPLIER COMPLIANCE STATUS	TAX COMPLIANCE SYSTEM PIN:		OR	CENTRAL SUPPLIER DATABASE No:	MAAA
7 ARE YOU THE ACCREDITED REPRESENTATIVE IN SOUTH AFRICA FOR THE GOODS /SERVICES OFFERED?	<input type="checkbox"/> Yes <input type="checkbox"/> No [[IF YES ENCLOSE PROOF]		8 ARE YOU A FOREIGN BASED SUPPLIER FOR THE GOODS /SERVICES OFFERED?	<input type="checkbox"/> Yes <input type="checkbox"/> No [[IF YES, ANSWER THE QUESTIONNAIRE BELOW]	
QUESTIONNAIRE TO BIDDING FOREIGN SUPPLIERS					
IS THE ENTITY A RESIDENT OF THE REPUBLIC OF SOUTH AFRICA (RSA)?			<input type="checkbox"/> YES <input type="checkbox"/> NO		
DOES THE ENTITY HAVE A BRANCH IN THE RSA?			<input type="checkbox"/> YES <input type="checkbox"/> NO		
DOES THE ENTITY HAVE A PERMANENT ESTABLISHMENT IN THE RSA?			<input type="checkbox"/> YES <input type="checkbox"/> NO		
DOES THE ENTITY HAVE ANY SOURCE OF INCOME IN THE RSA?			<input type="checkbox"/> YES <input type="checkbox"/> NO		
IS THE ENTITY LIABLE IN THE RSA FOR ANY FORM OF TAXATION?			<input type="checkbox"/> YES <input type="checkbox"/> NO		
IF THE ANSWER IS "NO" TO ALL OF THE ABOVE, THEN IT IS NOT A REQUIREMENT TO REGISTER FOR A TAX COMPLIANCE STATUS SYSTEM PIN CODE FROM THE SOUTH AFRICAN REVENUE SERVICE (SARS) AND IF NOT REGISTER AS PER 2.3 BELOW.					

PART B TERMS AND CONDITIONS FOR BIDDING

1. BID SUBMISSION:
<p>1.1. BIDS MUST BE DELIVERED BY THE STIPULATED TIME TO THE CORRECT ADDRESS. LATE BIDS WILL NOT BE ACCEPTED FOR CONSIDERATION.</p> <p>1.2. ALL BIDS MUST BE SUBMITTED ON THE OFFICIAL FORMS PROVIDED (NOT TO BE RE-TYPED) OR IN THE MANNER PRESCRIBED IN THE BID DOCUMENT.</p> <p>1.3. THIS BID IS SUBJECT TO THE PREFERENTIAL PROCUREMENT POLICY FRAMEWORK ACT, 2000 AND THE PREFERENTIAL PROCUREMENT REGULATIONS, THE GENERAL CONDITIONS OF CONTRACT (GCC) AND, IF APPLICABLE, ANY OTHER SPECIAL CONDITIONS OF CONTRACT.</p> <p>1.4. THE SUCCESSFUL BIDDER WILL BE REQUIRED TO FILL IN AND SIGN A WRITTEN CONTRACT FORM (SBD7).</p>
2. TAX COMPLIANCE REQUIREMENTS
<p>2.1 BIDDERS MUST ENSURE COMPLIANCE WITH THEIR TAX OBLIGATIONS.</p> <p>2.2 BIDDERS ARE REQUIRED TO SUBMIT THEIR UNIQUE PERSONAL IDENTIFICATION NUMBER (PIN) ISSUED BY SARS TO ENABLE THE ORGAN OF STATE TO VERIFY THE TAXPAYER'S PROFILE AND TAX STATUS.</p> <p>2.3 APPLICATION FOR TAX COMPLIANCE STATUS (TCS) PIN MAY BE MADE VIA E-FILING THROUGH THE SARS WEBSITE WWW.SARS.GOV.ZA.</p> <p>2.4 BIDDERS MAY ALSO SUBMIT A PRINTED TCS CERTIFICATE TOGETHER WITH THE BID.</p> <p>2.5 IN BIDS WHERE CONSORTIA / JOINT VENTURES / SUB-CONTRACTORS ARE INVOLVED; EACH PARTY MUST SUBMIT A SEPARATE TCS CERTIFICATE / PIN / CSD NUMBER.</p> <p>2.6 WHERE NO TCS PIN IS AVAILABLE BUT THE BIDDER IS REGISTERED ON THE CENTRAL SUPPLIER DATABASE (CSD), A CSD NUMBER MUST BE PROVIDED.</p> <p>2.7 NO BIDS WILL BE CONSIDERED FROM PERSONS IN THE SERVICE OF THE STATE, COMPANIES WITH DIRECTORS WHO ARE PERSONS IN THE SERVICE OF THE STATE, OR CLOSE CORPORATIONS WITH MEMBERS PERSONS IN THE SERVICE OF THE STATE."</p>

NB: FAILURE TO PROVIDE / OR COMPLY WITH ANY OF THE ABOVE PARTICULARS MAY RENDER THE BID INVALID.

SIGNATURE OF BIDDER:

CAPACITY UNDER WHICH THIS BID IS SIGNED:
(Proof of authority must be submitted e.g. company resolution)

DATE:

BIDDER'S DISCLOSURE

1. PURPOSE OF THE FORM

Any person (natural or juristic) may make an offer or offers in terms of this invitation to bid. In line with the principles of transparency, accountability, impartiality, and ethics as enshrined in the Constitution of the Republic of South Africa and further expressed in various pieces of legislation, it is required for the bidder to make this declaration in respect of the details required hereunder.

Where a person/s are listed in the Register for Tender Defaulters and / or the List of Restricted Suppliers, that person will automatically be disqualified from the bid process.

2. Bidder's declaration

2.1 Is the bidder, or any of its directors / trustees / shareholders / members / partners or any person having a controlling interest¹ in the enterprise, employed by the state? **YES/NO**

2.1.1 If so, furnish particulars of the names, individual identity numbers, and, if applicable, state employee numbers of sole proprietor/ directors / trustees / shareholders / members/ partners or any person having a controlling interest in the enterprise, in table below.

Full Name	Identity Number	Name of State institution

2.2 Do you, or any person connected with the bidder, have a relationship with any person who is employed by the procuring institution? **YES/NO**

¹ the power, by one person or a group of persons holding the majority of the equity of an enterprise, alternatively, the person/s having the deciding vote or power to influence or to direct the course and decisions of the enterprise.

2.2.1 If so, furnish particulars:

.....
.....

2.3 Does the bidder or any of its directors / trustees / shareholders / members / partners or any person having a controlling interest in the enterprise have any interest in any other related enterprise whether or not they are bidding for this contract?
YES/NO

2.3.1 If so, furnish particulars:

.....
.....

3 DECLARATION

I, _____ the _____ undersigned, (name)..... in submitting the accompanying bid, do hereby make the following statements that I certify to be true and complete in every respect:

- 3.1 I have read and I understand the contents of this disclosure;
- 3.2 I understand that the accompanying bid will be disqualified if this disclosure is found not to be true and complete in every respect;
- 3.3 The bidder has arrived at the accompanying bid independently from, and without consultation, communication, agreement or arrangement with any competitor. However, communication between partners in a joint venture or consortium² will not be construed as collusive bidding.
- 3.4 In addition, there have been no consultations, communications, agreements or arrangements with any competitor regarding the quality, quantity, specifications, prices, including methods, factors or formulas used to calculate prices, market allocation, the intention or decision to submit or not to submit the bid, bidding with the intention not to win the bid and conditions or delivery particulars of the products or services to which this bid invitation relates.
- 3.4 The terms of the accompanying bid have not been, and will not be, disclosed by the bidder, directly or indirectly, to any competitor, prior to the date and time of the official bid opening or of the awarding of the contract.
- 3.5 There have been no consultations, communications, agreements or arrangements made by the bidder with any official of the procuring institution in relation to this procurement process prior to and during the bidding process except to provide clarification on the bid submitted where so required by the institution; and the bidder was not involved in the drafting of the specifications or terms of reference for this bid.

¹ Joint venture or Consortium means an association of persons for the purpose of combining their expertise, property, capital, efforts, skill and knowledge in an activity for the execution of a contract.

3.6 I am aware that, in addition and without prejudice to any other remedy provided to combat any restrictive practices related to bids and contracts, bids that are suspicious will be reported to the Competition Commission for investigation and possible imposition of administrative penalties in terms of section 59 of the Competition Act No 89 of 1998 and or may be reported to the National Prosecuting Authority (NPA) for criminal investigation and or may be restricted from conducting business with the public sector for a period not exceeding ten (10) years in terms of the Prevention and Combating of Corrupt Activities Act No 12 of 2004 or any other applicable legislation.

I CERTIFY THAT THE INFORMATION FURNISHED IN PARAGRAPHS 1, 2 and 3 ABOVE IS CORRECT.

I ACCEPT THAT THE STATE MAY REJECT THE BID OR ACT AGAINST ME IN TERMS OF PARAGRAPH 6 OF PFMA SCM INSTRUCTION 03 OF 2021/22 ON PREVENTING AND COMBATING ABUSE IN THE SUPPLY CHAIN MANAGEMENT SYSTEM SHOULD THIS DECLARATION PROVE TO BE FALSE.

.....
Signature	Date
.....
Position	Name of bidder

PREFERENCE POINTS CLAIM FORM IN TERMS OF THE PREFERENTIAL PROCUREMENT REGULATIONS 2022

This preference form must form part of all tenders invited. It contains general information and serves as a claim form for preference points for specific goals.

NB: BEFORE COMPLETING THIS FORM, TENDERERS MUST STUDY THE GENERAL CONDITIONS, DEFINITIONS AND DIRECTIVES APPLICABLE IN RESPECT OF THE TENDER AND PREFERENTIAL PROCUREMENT REGULATIONS, 2022

1. GENERAL CONDITIONS

1.1 The following preference point systems are applicable to invitations to tender:

- the 80/20 system for requirements with a Rand value of up to R50 000 000 (all applicable taxes included); and
- the 90/10 system for requirements with a Rand value above R50 000 000 (all applicable taxes included).

1.2 To be completed by the organ of state

- a) The applicable preference point system for this tender is the **80/20** preference point system.
- b) The **80/20 preference point system** will be applicable in this tender. The lowest/highest acceptable tender will be used to determine the accurate system once tenders are received.

1.3 Points for this tender (even in the case of a tender for income-generating contracts) shall be awarded for:

- (a) Price; and
- (b) Specific Goals.

1.4 To be completed by the organ of state:

The maximum points for this tender are allocated as follows:

	POINTS
PRICE	80
SPECIFIC GOALS	20
Total points for Price and SPECIFIC GOALS	100

1.5 Failure on the part of a tenderer to submit proof or documentation required in terms of this tender to claim points for specific goals with the tender, will be interpreted to mean

that preference points for specific goals are not claimed.

- 1.6 The organ of state reserves the right to require of a tenderer, either before a tender is adjudicated or at any time subsequently, to substantiate any claim in regard to preferences, in any manner required by the organ of state.

2. DEFINITIONS

- (a) “**tender**” means a written offer in the form determined by an organ of state in response to an invitation to provide goods or services through price quotations, competitive tendering process or any other method envisaged in legislation;
- (b) “**price**” means an amount of money tendered for goods or services, and includes all applicable taxes less all unconditional discounts;
- (c) “**rand value**” means the total estimated value of a contract in Rand, calculated at the time of bid invitation, and includes all applicable taxes;
- (d) “**tender for income-generating contracts**” means a written offer in the form determined by an organ of state in response to an invitation for the origination of income-generating contracts through any method envisaged in legislation that will result in a legal agreement between the organ of state and a third party that produces revenue for the organ of state, and includes, but is not limited to, leasing and disposal of assets and concession contracts, excluding direct sales and disposal of assets through public auctions; and
- (e) “**the Act**” means the Preferential Procurement Policy Framework Act, 2000 (Act No. 5 of 2000).

3. FORMULAE FOR PROCUREMENT OF GOODS AND SERVICES

3.1. POINTS AWARDED FOR PRICE

3.1.1 THE 80/20 PREFERENCE POINT SYSTEMS

A maximum of 80 points is allocated for price on the following basis:

80/20

$$Ps = 80 \left(1 - \frac{Pt - Pmin}{Pmin} \right)$$

Where

Ps = Points scored for price of tender under consideration

Pt = Price of tender under consideration

Pmin = Price of lowest acceptable tender

3.2. FORMULAE FOR DISPOSAL OR LEASING OF STATE ASSETS AND INCOME GENERATING PROCUREMENT

3.2.1. POINTS AWARDED FOR PRICE

A maximum of 80 points is allocated for price on the following basis:

80/20

$$P_s = 80 \left(1 + \frac{P_t - P_{max}}{P_{max}} \right)$$

Where

- Ps = Points scored for price of tender under consideration
- Pt = Price of tender under consideration
- Pmax = Price of highest acceptable tender

4. POINTS AWARDED FOR SPECIFIC GOALS

- 4.1. In terms of Regulation 4(2); 5(2); 6(2) and 7(2) of the Preferential Procurement Regulations, preference points must be awarded for specific goals stated in the tender. For the purposes of this tender the tenderer will be allocated points based on the goals stated in table 1 below as may be supported by proof/ documentation stated in the conditions of this tender:
- 4.2. In cases where organs of state intend to use Regulation 3(2) of the Regulations, which states that, if it is unclear whether the 80/20 or 90/10 preference point system applies, an organ of state must, in the tender documents, stipulate in the case of—
 - (a) an invitation for tender for income-generating contracts, that either the 80/20 or 90/10 preference point system will apply and that the highest acceptable tender will be used to determine the applicable preference point system; or
 - (b) any other invitation for tender, that either the 80/20 or 90/10 preference point system will apply and that the lowest acceptable tender will be used to determine the applicable preference point system,then the organ of state must indicate the points allocated for specific goals for both the 90/10 and 80/20 preference point system.

Table 1: Specific goals for the tender and points claimed are indicated per the table below.

(Note to organs of state: Where either the 80/20 preference point system is applicable, corresponding points must also be indicated as such.

Note to tenderers: The tenderer must indicate how they claim points for each preference point system.)

The specific goals allocated points in terms of this tender	Number of points allocated (80/20 system) (To be completed by the organ of state)	Number of points claimed (80/20 system) (Tenderer to indicate by a cross or a tick against the selected specific goals)
Size of Company (6)		
• EME	6	
• QSE	4	
• GE	2	
Black women (3)		
75% - 100%	3	
51% - 74.99%	2	
Below 51%	1	
Historically Disadvantaged South Africans* (maximum Points = 7)		
Youth	3	
HDSA	2	
Disabled	2	
Locality (maximum Points = 4)		
Office presence in the Eastern Cape	4	

DECLARATION WITH REGARD TO COMPANY/FIRM

4.3. Name of company/firm.....

4.4. Company registration number:

4.5. TYPE OF COMPANY/ FIRM

- Partnership/Joint Venture / Consortium
- One-person business/sole propriety
- Close corporation
- Public Company
- Personal Liability Company
- (Pty) Limited
- Non-Profit Company
- State Owned Company

[TICK APPLICABLE BOX]

- 4.6. I, the undersigned, who is duly authorised to do so on behalf of the company/firm, certify that the points claimed, based on the specific goals as advised in the tender, qualifies the company/ firm for the preference(s) shown and I acknowledge that:
- i) The information furnished is true and correct;
 - ii) The preference points claimed are in accordance with the General Conditions as indicated in paragraph 1 of this form;
 - iii) In the event of a contract being awarded as a result of points claimed as shown in paragraphs 1.4 and 4.2, the contractor may be required to furnish documentary proof to the satisfaction of the organ of state that the claims are correct;
 - iv) If the specific goals have been claimed or obtained on a fraudulent basis or any of the conditions of contract have not been fulfilled, the organ of state may, in addition to any other remedy it may have –
 - (a) disqualify the person from the tendering process;
 - (b) recover costs, losses or damages it has incurred or suffered as a result of that person’s conduct;
 - (c) cancel the contract and claim any damages which it has suffered as a result of having to make less favourable arrangements due to such cancellation;
 - (d) recommend that the tenderer or contractor, its shareholders and directors, or only the shareholders and directors who acted on a fraudulent basis, be restricted from obtaining business from any organ of state for a period not exceeding 10 years, after the *audi alteram partem* (hear the other side) rule has been applied; and
 - (e) forward the matter for criminal prosecution, if deemed necessary.

 SIGNATURE(S) OF TENDERER(S)
SURNAME AND NAME:
DATE:
ADDRESS:

THE NATIONAL TREASURY

Republic of South Africa



GOVERNMENT PROCUREMENT: GENERAL CONDITIONS OF CONTRACT

July 2010

GOVERNMENT PROCUREMENT
GENERAL CONDITIONS OF CONTRACT
July 2010

NOTES

The purpose of this document is to:

- (i) Draw special attention to certain general conditions applicable to government bids, contracts and orders; and
- (ii) To ensure that clients be familiar with regard to the rights and obligations of all parties involved in doing business with government.

In this document words in the singular also mean in the plural and vice versa and words in the masculine also mean in the feminine and neuter.

- The General Conditions of Contract will form part of all bid documents and may not be amended.
- Special Conditions of Contract (SCC) relevant to a specific bid, should be compiled separately for every bid (if applicable) and will supplement the General Conditions of Contract. Whenever there is a conflict, the provisions in the SCC shall prevail.

TABLE OF CLAUSES

1. Definitions
2. Application
3. General
4. Standards
5. Use of contract documents and information; inspection
6. Patent rights
7. Performance security
8. Inspections, tests and analysis
9. Packing
10. Delivery and documents
11. Insurance
12. Transportation
13. Incidental services
14. Spare parts
15. Warranty
16. Payment
17. Prices
18. Contract amendments
19. Assignment
20. Subcontracts
21. Delays in the supplier's performance
22. Penalties
23. Termination for default
24. Dumping and countervailing duties
25. Force Majeure
26. Termination for insolvency
27. Settlement of disputes
28. Limitation of liability
29. Governing language
30. Applicable law
31. Notices
32. Taxes and duties
33. National Industrial Participation Programme (NIPP)
34. Prohibition of restrictive practices

General Conditions of Contract

1. Definitions

1. The following terms shall be interpreted as indicated:
 - 1.1 “Closing time” means the date and hour specified in the bidding documents for the receipt of bids.
 - 1.2 “Contract” means the written agreement entered into between the purchaser and the supplier, as recorded in the contract form signed by the parties, including all attachments and appendices thereto and all documents incorporated by reference therein.
 - 1.3 “Contract price” means the price payable to the supplier under the contract for the full and proper performance of his contractual obligations.
 - 1.4 “Corrupt practice” means the offering, giving, receiving, or soliciting of any thing of value to influence the action of a public official in the procurement process or in contract execution.
 - 1.5 "Countervailing duties" are imposed in cases where an enterprise abroad is subsidized by its government and encouraged to market its products internationally.
 - 1.6 “Country of origin” means the place where the goods were mined, grown or produced or from which the services are supplied. Goods are produced when, through manufacturing, processing or substantial and major assembly of components, a commercially recognized new product results that is substantially different in basic characteristics or in purpose or utility from its components.
 - 1.7 “Day” means calendar day.
 - 1.8 “Delivery” means delivery in compliance of the conditions of the contract or order.
 - 1.9 “Delivery ex stock” means immediate delivery directly from stock actually on hand.
 - 1.10 “Delivery into consignees store or to his site” means delivered and unloaded in the specified store or depot or on the specified site in compliance with the conditions of the contract or order, the supplier bearing all risks and charges involved until the supplies are so delivered and a valid receipt is obtained.
 - 1.11 "Dumping" occurs when a private enterprise abroad market its goods on own initiative in the RSA at lower prices than that of the country of origin and which have the potential to harm the local industries in the

RSA.

- 1.12 "Force majeure" means an event beyond the control of the supplier and not involving the supplier's fault or negligence and not foreseeable. Such events may include, but is not restricted to, acts of the purchaser in its sovereign capacity, wars or revolutions, fires, floods, epidemics, quarantine restrictions and freight embargoes.
- 1.13 "Fraudulent practice" means a misrepresentation of facts in order to influence a procurement process or the execution of a contract to the detriment of any bidder, and includes collusive practice among bidders (prior to or after bid submission) designed to establish bid prices at artificial non-competitive levels and to deprive the bidder of the benefits of free and open competition.
- 1.14 "GCC" means the General Conditions of Contract.
- 1.15 "Goods" means all of the equipment, machinery, and/or other materials that the supplier is required to supply to the purchaser under the contract.
- 1.16 "Imported content" means that portion of the bidding price represented by the cost of components, parts or materials which have been or are still to be imported (whether by the supplier or his subcontractors) and which costs are inclusive of the costs abroad, plus freight and other direct importation costs such as landing costs, dock dues, import duty, sales duty or other similar tax or duty at the South African place of entry as well as transportation and handling charges to the factory in the Republic where the supplies covered by the bid will be manufactured.
- 1.17 "Local content" means that portion of the bidding price which is not included in the imported content provided that local manufacture does take place.
- 1.18 "Manufacture" means the production of products in a factory using labour, materials, components and machinery and includes other related value-adding activities.
- 1.19 "Order" means an official written order issued for the supply of goods or works or the rendering of a service.
- 1.20 "Project site," where applicable, means the place indicated in bidding documents.
- 1.21 "Purchaser" means the organization purchasing the goods.
- 1.22 "Republic" means the Republic of South Africa.
- 1.23 "SCC" means the Special Conditions of Contract.
- 1.24 "Services" means those functional services ancillary to the supply of the goods, such as transportation and any other incidental services, such as installation, commissioning, provision of technical assistance, training, catering, gardening, security, maintenance and other such

obligations of the supplier covered under the contract.

1.25 “Written” or “in writing” means handwritten in ink or any form of electronic or mechanical writing.

2. Application

2.1 These general conditions are applicable to all bids, contracts and orders including bids for functional and professional services, sales, hiring, letting and the granting or acquiring of rights, but excluding immovable property, unless otherwise indicated in the bidding documents.

2.2 Where applicable, special conditions of contract are also laid down to cover specific supplies, services or works.

2.3 Where such special conditions of contract are in conflict with these general conditions, the special conditions shall apply.

3. General

3.1 Unless otherwise indicated in the bidding documents, the purchaser shall not be liable for any expense incurred in the preparation and submission of a bid. Where applicable a non-refundable fee for documents may be charged.

3.2 With certain exceptions, invitations to bid are only published in the Government Tender Bulletin. The Government Tender Bulletin may be obtained directly from the Government Printer, Private Bag X85, Pretoria 0001, or accessed electronically from www.treasury.gov.za

4. Standards

4.1 The goods supplied shall conform to the standards mentioned in the bidding documents and specifications.

5. Use of contract documents and information; inspection.

5.1 The supplier shall not, without the purchaser’s prior written consent, disclose the contract, or any provision thereof, or any specification, plan, drawing, pattern, sample, or information furnished by or on behalf of the purchaser in connection therewith, to any person other than a person employed by the supplier in the performance of the contract. Disclosure to any such employed person shall be made in confidence and shall extend only so far as may be necessary for purposes of such performance.

5.2 The supplier shall not, without the purchaser’s prior written consent, make use of any document or information mentioned in GCC clause 5.1 except for purposes of performing the contract.

5.3 Any document, other than the contract itself mentioned in GCC clause 5.1 shall remain the property of the purchaser and shall be returned (all copies) to the purchaser on completion of the supplier’s performance under the contract if so required by the purchaser.

5.4 The supplier shall permit the purchaser to inspect the supplier’s records relating to the performance of the supplier and to have them audited by auditors appointed by the purchaser, if so required by the purchaser.

6. Patent rights

6.1 The supplier shall indemnify the purchaser against all third-party claims of infringement of patent, trademark, or industrial design rights arising from use of the goods or any part thereof by the purchaser.

7. Performance security

- 7.1 Within thirty (30) days of receipt of the notification of contract award, the successful bidder shall furnish to the purchaser the performance security of the amount specified in SCC.
- 7.2 The proceeds of the performance security shall be payable to the purchaser as compensation for any loss resulting from the supplier's failure to complete his obligations under the contract.
- 7.3 The performance security shall be denominated in the currency of the contract, or in a freely convertible currency acceptable to the purchaser and shall be in one of the following forms:
 - (a) a bank guarantee or an irrevocable letter of credit issued by a reputable bank located in the purchaser's country or abroad, acceptable to the purchaser, in the form provided in the bidding documents or another form acceptable to the purchaser; or
 - (b) a cashier's or certified cheque
- 7.4 The performance security will be discharged by the purchaser and returned to the supplier not later than thirty (30) days following the date of completion of the supplier's performance obligations under the contract, including any warranty obligations, unless otherwise specified in SCC.

8. Inspections, tests and analyses

- 8.1 All pre-bidding testing will be for the account of the bidder.
- 8.2 If it is a bid condition that supplies to be produced or services to be rendered should at any stage during production or execution or on completion be subject to inspection, the premises of the bidder or contractor shall be open, at all reasonable hours, for inspection by a representative of the Department or an organization acting on behalf of the Department.
- 8.3 If there are no inspection requirements indicated in the bidding documents and no mention is made in the contract, but during the contract period it is decided that inspections shall be carried out, the purchaser shall itself make the necessary arrangements, including payment arrangements with the testing authority concerned.
- 8.4 If the inspections, tests and analyses referred to in clauses 8.2 and 8.3 show the supplies to be in accordance with the contract requirements, the cost of the inspections, tests and analyses shall be defrayed by the purchaser.
- 8.5 Where the supplies or services referred to in clauses 8.2 and 8.3 do not comply with the contract requirements, irrespective of whether such supplies or services are accepted or not, the cost in connection with these inspections, tests or analyses shall be defrayed by the supplier.
- 8.6 Supplies and services which are referred to in clauses 8.2 and 8.3 and which do not comply with the contract requirements may be rejected.
- 8.7 Any contract supplies may on or after delivery be inspected, tested or

analyzed and may be rejected if found not to comply with the requirements of the contract. Such rejected supplies shall be held at the cost and risk of the supplier who shall, when called upon, remove them immediately at his own cost and forthwith substitute them with supplies which do comply with the requirements of the contract. Failing such removal the rejected supplies shall be returned at the suppliers cost and risk. Should the supplier fail to provide the substitute supplies forthwith, the purchaser may, without giving the supplier further opportunity to substitute the rejected supplies, purchase such supplies as may be necessary at the expense of the supplier.

8.8 The provisions of clauses 8.4 to 8.7 shall not prejudice the right of the purchaser to cancel the contract on account of a breach of the conditions thereof, or to act in terms of Clause 23 of GCC.

9. Packing

9.1 The supplier shall provide such packing of the goods as is required to prevent their damage or deterioration during transit to their final destination, as indicated in the contract. The packing shall be sufficient to withstand, without limitation, rough handling during transit and exposure to extreme temperatures, salt and precipitation during transit, and open storage. Packing, case size and weights shall take into consideration, where appropriate, the remoteness of the goods' final destination and the absence of heavy handling facilities at all points in transit.

9.2 The packing, marking, and documentation within and outside the packages shall comply strictly with such special requirements as shall be expressly provided for in the contract, including additional requirements, if any, specified in SCC, and in any subsequent instructions ordered by the purchaser.

10. Delivery and documents

10.1 Delivery of the goods shall be made by the supplier in accordance with the terms specified in the contract. The details of shipping and/or other documents to be furnished by the supplier are specified in SCC.

10.2 Documents to be submitted by the supplier are specified in SCC.

11. Insurance

11.1 The goods supplied under the contract shall be fully insured in a freely convertible currency against loss or damage incidental to manufacture or acquisition, transportation, storage and delivery in the manner specified in the SCC.

12. Transportation

12.1 Should a price other than an all-inclusive delivered price be required, this shall be specified in the SCC.

13. Incidental services

13.1 The supplier may be required to provide any or all of the following services, including additional services, if any, specified in SCC:

- (a) performance or supervision of on-site assembly and/or commissioning of the supplied goods;
- (b) furnishing of tools required for assembly and/or maintenance of the supplied goods;
- (c) furnishing of a detailed operations and maintenance manual for each appropriate unit of the supplied goods;

- (d) performance or supervision or maintenance and/or repair of the supplied goods, for a period of time agreed by the parties, provided that this service shall not relieve the supplier of any warranty obligations under this contract; and
- (e) training of the purchaser's personnel, at the supplier's plant and/or on-site, in assembly, start-up, operation, maintenance, and/or repair of the supplied goods.

13.2 Prices charged by the supplier for incidental services, if not included in the contract price for the goods, shall be agreed upon in advance by the parties and shall not exceed the prevailing rates charged to other parties by the supplier for similar services.

14. Spare parts

14.1 As specified in SCC, the supplier may be required to provide any or all of the following materials, notifications, and information pertaining to spare parts manufactured or distributed by the supplier:

- (a) such spare parts as the purchaser may elect to purchase from the supplier, provided that this election shall not relieve the supplier of any warranty obligations under the contract; and
- (b) in the event of termination of production of the spare parts:
 - (i) Advance notification to the purchaser of the pending termination, in sufficient time to permit the purchaser to procure needed requirements; and
 - (ii) following such termination, furnishing at no cost to the purchaser, the blueprints, drawings, and specifications of the spare parts, if requested.

15. Warranty

15.1 The supplier warrants that the goods supplied under the contract are new, unused, of the most recent or current models, and that they incorporate all recent improvements in design and materials unless provided otherwise in the contract. The supplier further warrants that all goods supplied under this contract shall have no defect, arising from design, materials, or workmanship (except when the design and/or material is required by the purchaser's specifications) or from any act or omission of the supplier, that may develop under normal use of the supplied goods in the conditions prevailing in the country of final destination.

15.2 This warranty shall remain valid for twelve (12) months after the goods, or any portion thereof as the case may be, have been delivered to and accepted at the final destination indicated in the contract, or for eighteen (18) months after the date of shipment from the port or place of loading in the source country, whichever period concludes earlier, unless specified otherwise in SCC.

15.3 The purchaser shall promptly notify the supplier in writing of any claims arising under this warranty.

15.4 Upon receipt of such notice, the supplier shall, within the period specified in SCC and with all reasonable speed, repair or replace the defective goods or parts thereof, without costs to the purchaser.

15.5 If the supplier, having been notified, fails to remedy the defect(s) within the period specified in SCC, the purchaser may proceed to take

such remedial action as may be necessary, at the supplier's risk and expense and without prejudice to any other rights which the purchaser may have against the supplier under the contract.

- 16. Payment**
- 16.1 The method and conditions of payment to be made to the supplier under this contract shall be specified in SCC.
- 16.2 The supplier shall furnish the purchaser with an invoice accompanied by a copy of the delivery note and upon fulfillment of other obligations stipulated in the contract.
- 16.3 Payments shall be made promptly by the purchaser, but in no case later than thirty (30) days after submission of an invoice or claim by the supplier.
- 16.4 Payment will be made in Rand unless otherwise stipulated in SCC.
- 17. Prices**
- 17.1 Prices charged by the supplier for goods delivered and services performed under the contract shall not vary from the prices quoted by the supplier in his bid, with the exception of any price adjustments authorized in SCC or in the purchaser's request for bid validity extension, as the case may be.
- 18. Contract amendments**
- 18.1 No variation in or modification of the terms of the contract shall be made except by written amendment signed by the parties concerned.
- 19. Assignment**
- 19.1 The supplier shall not assign, in whole or in part, its obligations to perform under the contract, except with the purchaser's prior written consent.
- 20. Subcontracts**
- 20.1 The supplier shall notify the purchaser in writing of all subcontracts awarded under this contracts if not already specified in the bid. Such notification, in the original bid or later, shall not relieve the supplier from any liability or obligation under the contract.
- 21. Delays in the supplier's performance**
- 21.1 Delivery of the goods and performance of services shall be made by the supplier in accordance with the time schedule prescribed by the purchaser in the contract.
- 21.2 If at any time during performance of the contract, the supplier or its subcontractor(s) should encounter conditions impeding timely delivery of the goods and performance of services, the supplier shall promptly notify the purchaser in writing of the fact of the delay, its likely duration and its cause(s). As soon as practicable after receipt of the supplier's notice, the purchaser shall evaluate the situation and may at his discretion extend the supplier's time for performance, with or without the imposition of penalties, in which case the extension shall be ratified by the parties by amendment of contract.
- 21.3 No provision in a contract shall be deemed to prohibit the obtaining of supplies or services from a national department, provincial department, or a local authority.
- 21.4 The right is reserved to procure outside of the contract small quantities or to have minor essential services executed if an emergency arises, the

supplier's point of supply is not situated at or near the place where the supplies are required, or the supplier's services are not readily available.

21.5 Except as provided under GCC Clause 25, a delay by the supplier in the performance of its delivery obligations shall render the supplier liable to the imposition of penalties, pursuant to GCC Clause 22, unless an extension of time is agreed upon pursuant to GCC Clause 21.2 without the application of penalties.

21.6 Upon any delay beyond the delivery period in the case of a supplies contract, the purchaser shall, without canceling the contract, be entitled to purchase supplies of a similar quality and up to the same quantity in substitution of the goods not supplied in conformity with the contract and to return any goods delivered later at the supplier's expense and risk, or to cancel the contract and buy such goods as may be required to complete the contract and without prejudice to his other rights, be entitled to claim damages from the supplier.

22. Penalties

22.1 Subject to GCC Clause 25, if the supplier fails to deliver any or all of the goods or to perform the services within the period(s) specified in the contract, the purchaser shall, without prejudice to its other remedies under the contract, deduct from the contract price, as a penalty, a sum calculated on the delivered price of the delayed goods or unperformed services using the current prime interest rate calculated for each day of the delay until actual delivery or performance. The purchaser may also consider termination of the contract pursuant to GCC Clause 23.

23. Termination for default

23.1 The purchaser, without prejudice to any other remedy for breach of contract, by written notice of default sent to the supplier, may terminate this contract in whole or in part:

- (a) if the supplier fails to deliver any or all of the goods within the period(s) specified in the contract, or within any extension thereof granted by the purchaser pursuant to GCC Clause 21.2;
- (b) if the Supplier fails to perform any other obligation(s) under the contract; or
- (c) if the supplier, in the judgment of the purchaser, has engaged in corrupt or fraudulent practices in competing for or in executing the contract.

23.2 In the event the purchaser terminates the contract in whole or in part, the purchaser may procure, upon such terms and in such manner as it deems appropriate, goods, works or services similar to those undelivered, and the supplier shall be liable to the purchaser for any excess costs for such similar goods, works or services. However, the supplier shall continue performance of the contract to the extent not terminated.

23.3 Where the purchaser terminates the contract in whole or in part, the purchaser may decide to impose a restriction penalty on the supplier by prohibiting such supplier from doing business with the public sector for a period not exceeding 10 years.

23.4 If a purchaser intends imposing a restriction on a supplier or any

person associated with the supplier, the supplier will be allowed a time period of not more than fourteen (14) days to provide reasons why the envisaged restriction should not be imposed. Should the supplier fail to respond within the stipulated fourteen (14) days the purchaser may regard the intended penalty as not objected against and may impose it on the supplier.

23.5 Any restriction imposed on any person by the Accounting Officer / Authority will, at the discretion of the Accounting Officer / Authority, also be applicable to any other enterprise or any partner, manager, director or other person who wholly or partly exercises or exercised or may exercise control over the enterprise of the first-mentioned person, and with which enterprise or person the first-mentioned person, is or was in the opinion of the Accounting Officer / Authority actively associated.

23.6 If a restriction is imposed, the purchaser must, within five (5) working days of such imposition, furnish the National Treasury, with the following information:

- (i) the name and address of the supplier and / or person restricted by the purchaser;
- (ii) the date of commencement of the restriction
- (iii) the period of restriction; and
- (iv) the reasons for the restriction.

These details will be loaded in the National Treasury's central database of suppliers or persons prohibited from doing business with the public sector.

23.7 If a court of law convicts a person of an offence as contemplated in sections 12 or 13 of the Prevention and Combating of Corrupt Activities Act, No. 12 of 2004, the court may also rule that such person's name be endorsed on the Register for Tender Defaulters. When a person's name has been endorsed on the Register, the person will be prohibited from doing business with the public sector for a period not less than five years and not more than 10 years. The National Treasury is empowered to determine the period of restriction and each case will be dealt with on its own merits. According to section 32 of the Act the Register must be open to the public. The Register can be perused on the National Treasury website.

24. Anti-dumping and countervailing duties and rights

24.1 When, after the date of bid, provisional payments are required, or anti-dumping or countervailing duties are imposed, or the amount of a provisional payment or anti-dumping or countervailing right is increased in respect of any dumped or subsidized import, the State is not liable for any amount so required or imposed, or for the amount of any such increase. When, after the said date, such a provisional payment is no longer required or any such anti-dumping or countervailing right is abolished, or where the amount of such provisional payment or any such right is reduced, any such favourable difference shall on demand be paid forthwith by the contractor to the State or the State may deduct such amounts from moneys (if any) which may otherwise be due to the contractor in regard to supplies or services which he delivered or rendered, or is to deliver or render in terms of the contract or any other contract or any other amount which

may be due to him

25. Force Majeure

- 25.1 Notwithstanding the provisions of GCC Clauses 22 and 23, the supplier shall not be liable for forfeiture of its performance security, damages, or termination for default if and to the extent that his delay in performance or other failure to perform his obligations under the contract is the result of an event of force majeure.
- 25.2 If a force majeure situation arises, the supplier shall promptly notify the purchaser in writing of such condition and the cause thereof. Unless otherwise directed by the purchaser in writing, the supplier shall continue to perform its obligations under the contract as far as is reasonably practical, and shall seek all reasonable alternative means for performance not prevented by the force majeure event.

26. Termination for insolvency

- 26.1 The purchaser may at any time terminate the contract by giving written notice to the supplier if the supplier becomes bankrupt or otherwise insolvent. In this event, termination will be without compensation to the supplier, provided that such termination will not prejudice or affect any right of action or remedy which has accrued or will accrue thereafter to the purchaser.

27. Settlement of Disputes

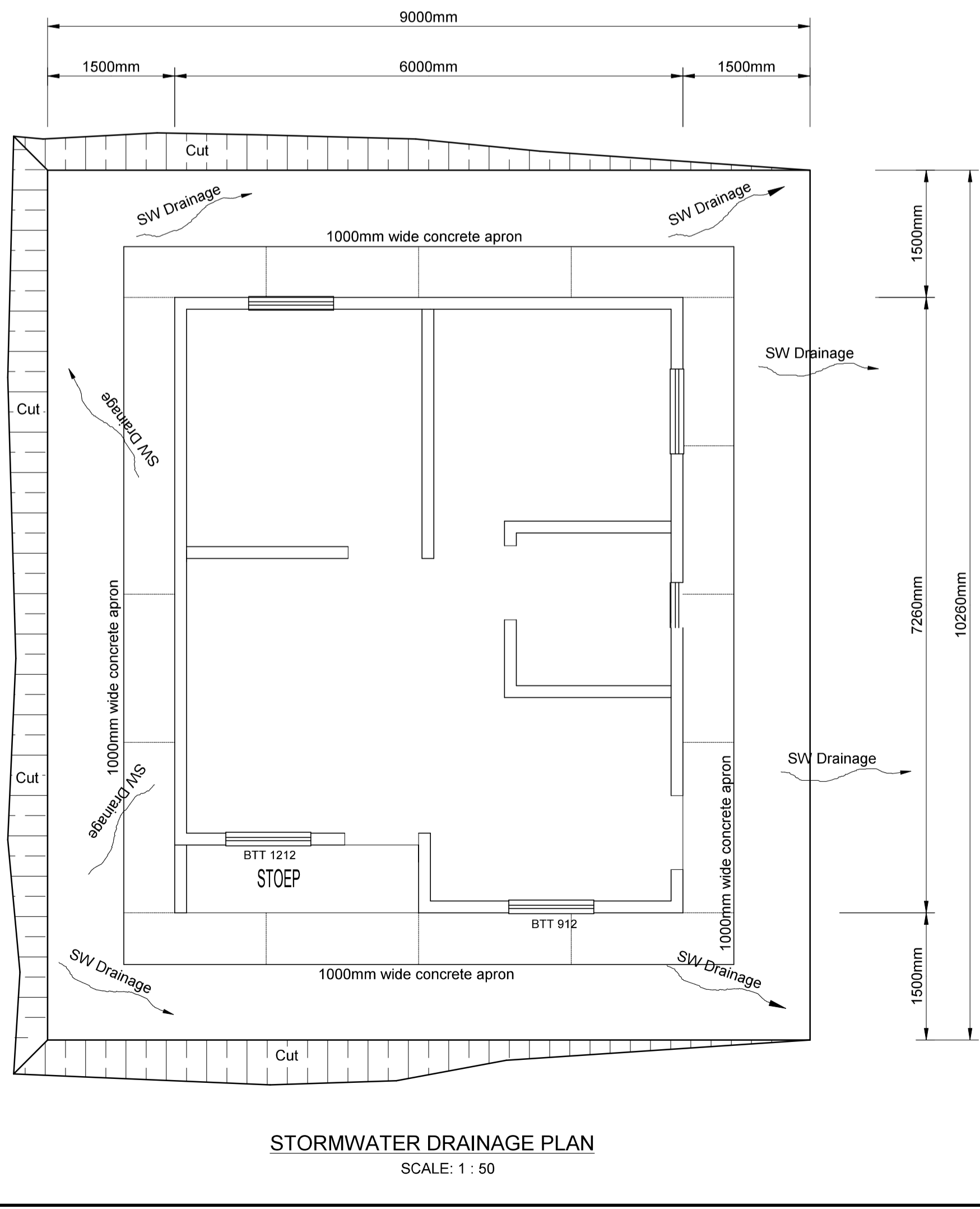
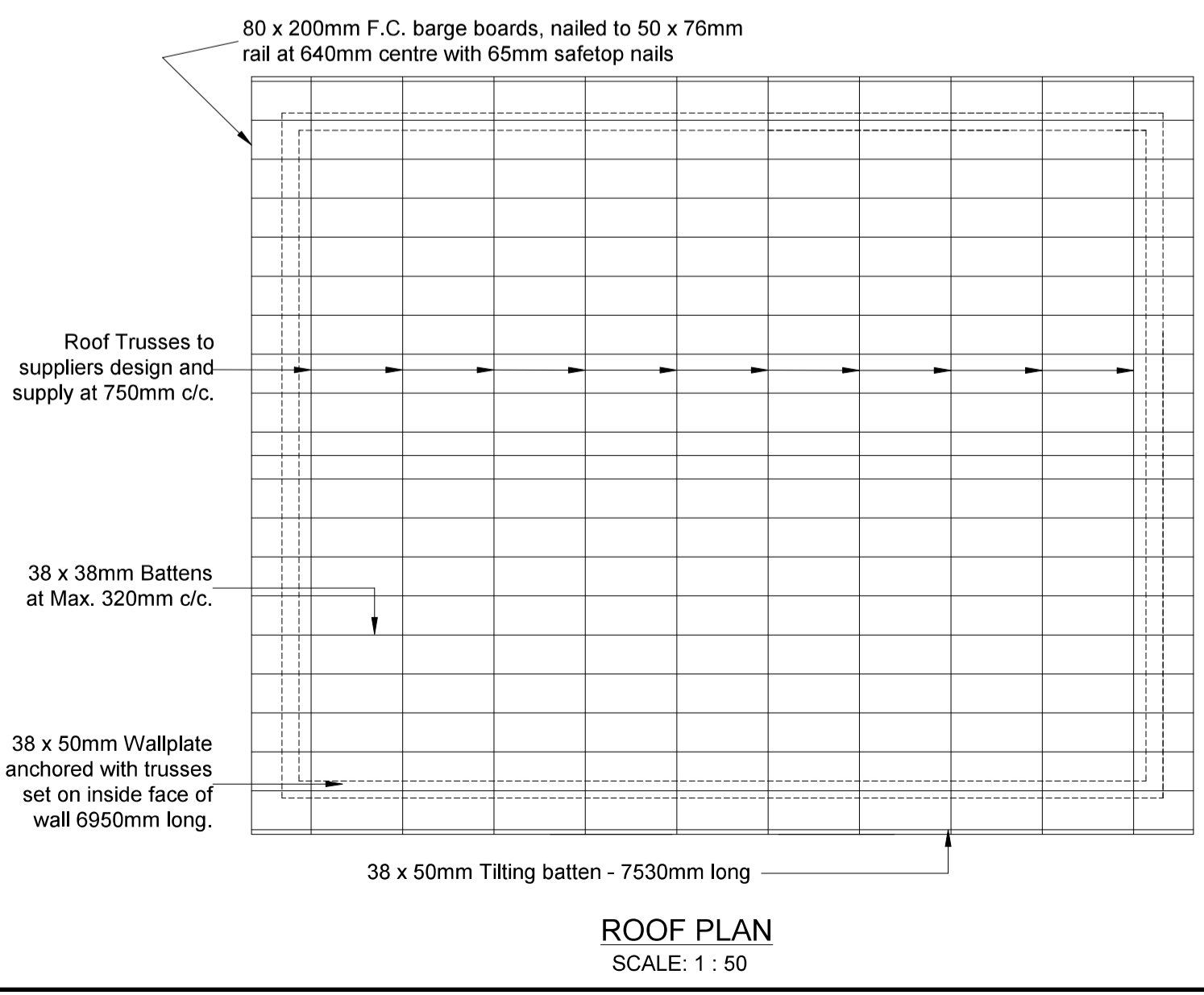
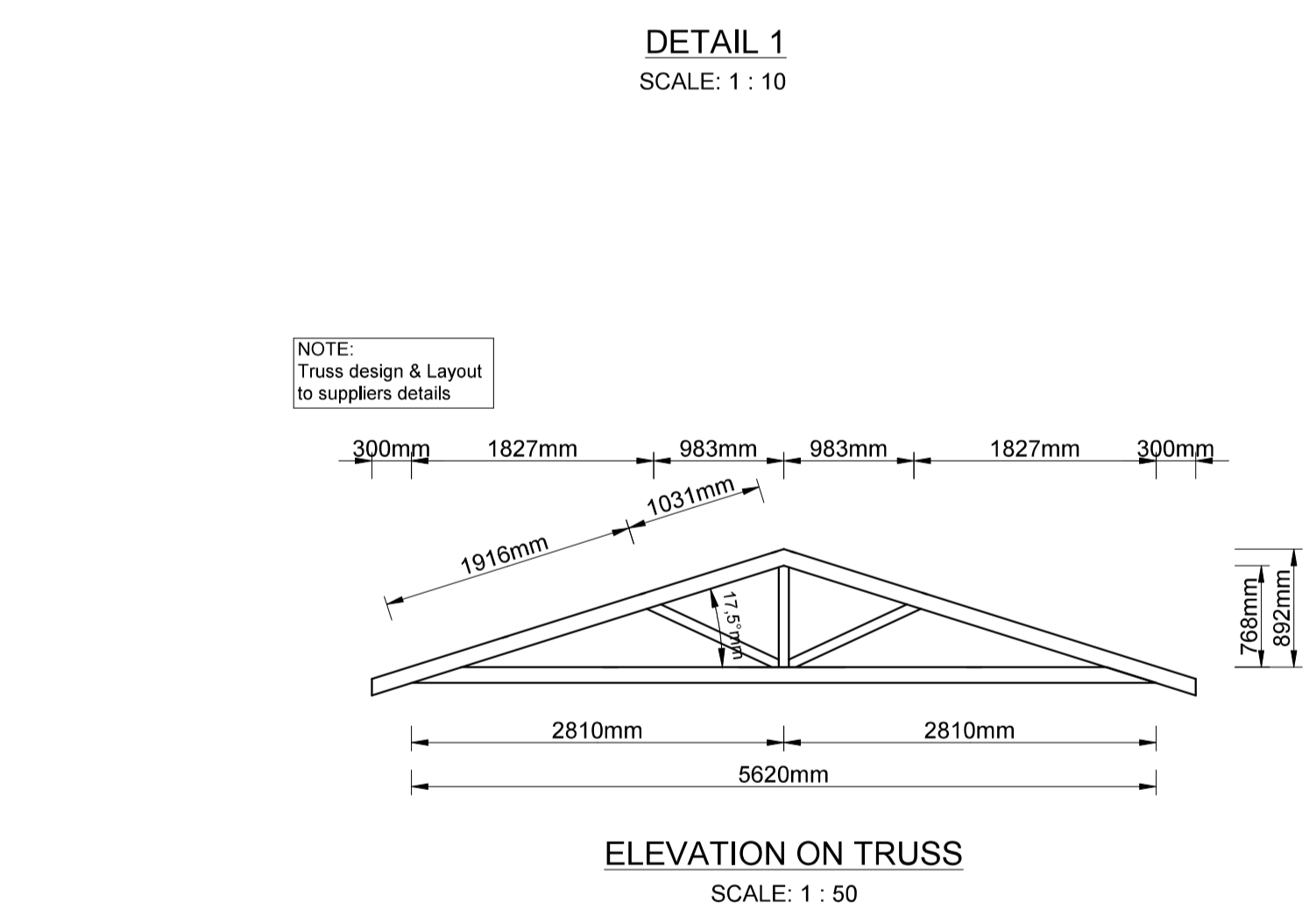
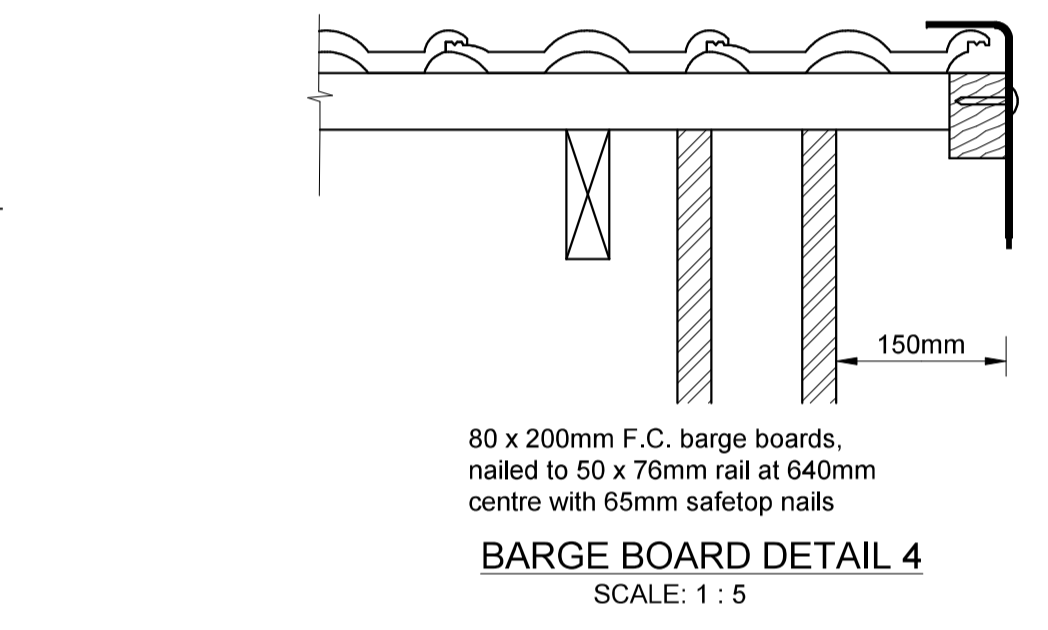
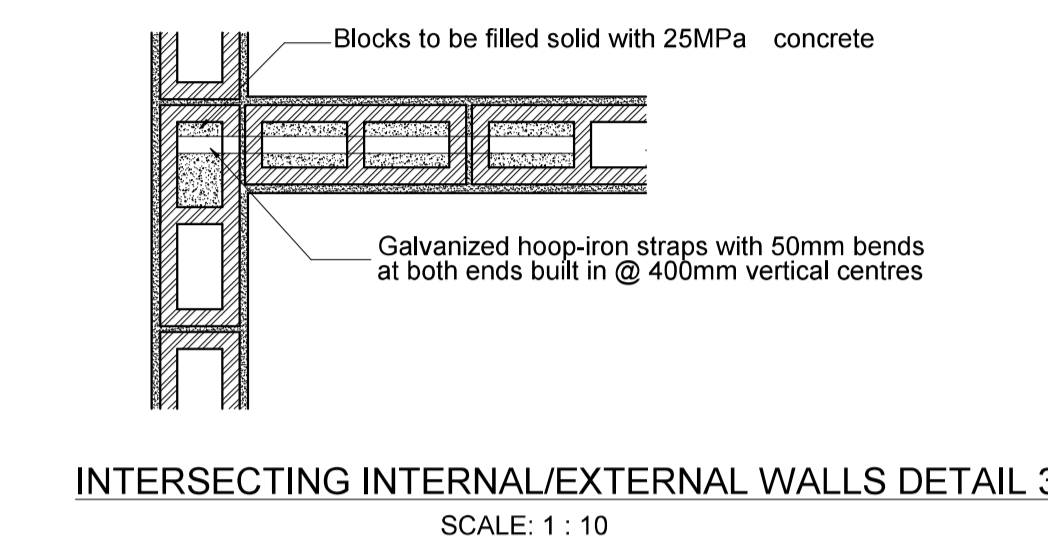
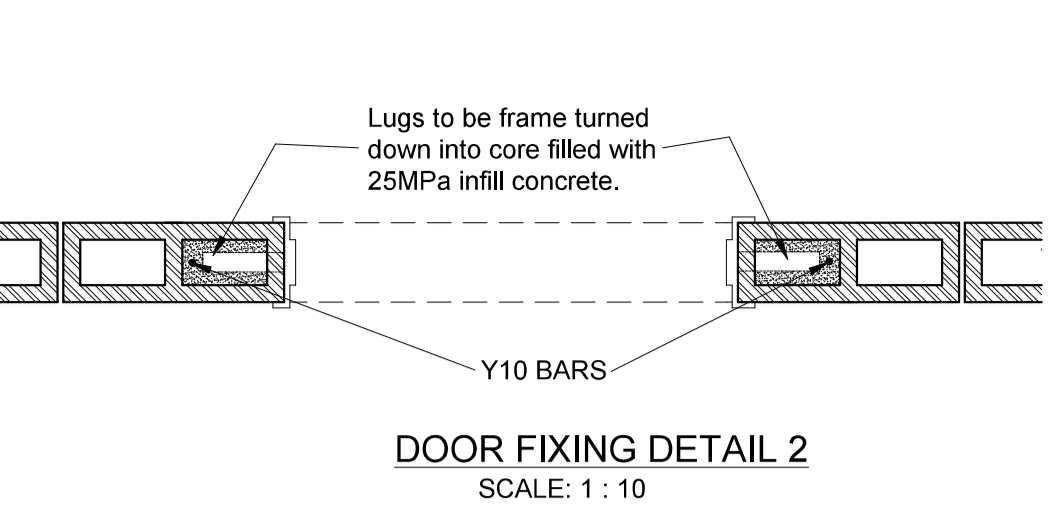
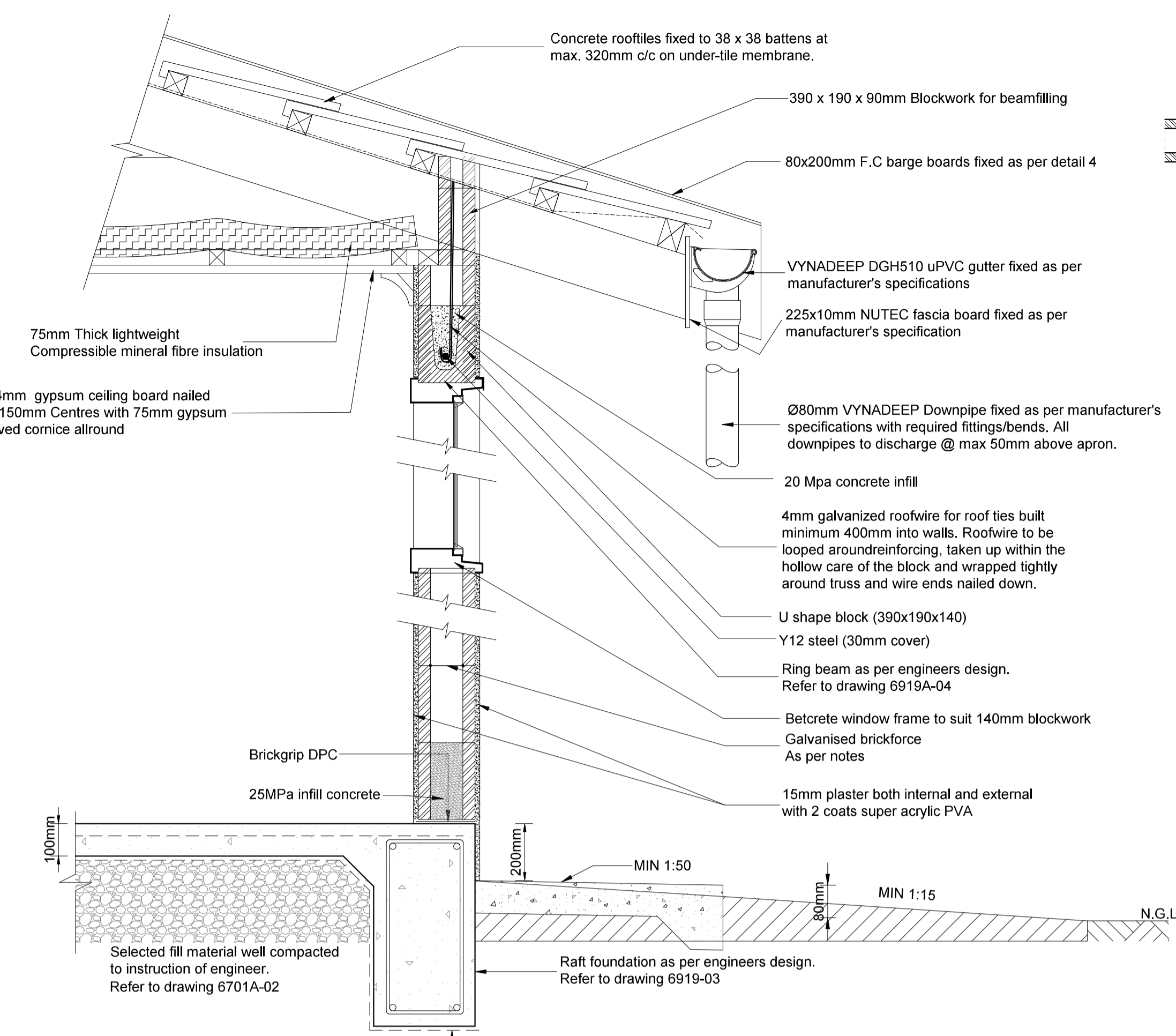
- 27.1 If any dispute or difference of any kind whatsoever arises between the purchaser and the supplier in connection with or arising out of the contract, the parties shall make every effort to resolve amicably such dispute or difference by mutual consultation.
- 27.2 If, after thirty (30) days, the parties have failed to resolve their dispute or difference by such mutual consultation, then either the purchaser or the supplier may give notice to the other party of his intention to commence with mediation. No mediation in respect of this matter may be commenced unless such notice is given to the other party.
- 27.3 Should it not be possible to settle a dispute by means of mediation, it may be settled in a South African court of law.
- 27.4 Mediation proceedings shall be conducted in accordance with the rules of procedure specified in the SCC.
- 27.5 Notwithstanding any reference to mediation and/or court proceedings herein,
- (a) the parties shall continue to perform their respective obligations under the contract unless they otherwise agree; and
 - (b) the purchaser shall pay the supplier any monies due the supplier.

28. Limitation of liability

- 28.1 Except in cases of criminal negligence or willful misconduct, and in the case of infringement pursuant to Clause 6;
- (a) the supplier shall not be liable to the purchaser, whether in contract, tort, or otherwise, for any indirect or consequential loss or damage, loss of use, loss of production, or loss of profits or interest costs, provided that this exclusion shall not apply to any obligation of the supplier to pay penalties and/or damages to the purchaser; and

- (b) the aggregate liability of the supplier to the purchaser, whether under the contract, in tort or otherwise, shall not exceed the total contract price, provided that this limitation shall not apply to the cost of repairing or replacing defective equipment.
- 29. Governing language** 29.1 The contract shall be written in English. All correspondence and other documents pertaining to the contract that is exchanged by the parties shall also be written in English.
- 30. Applicable law** 30.1 The contract shall be interpreted in accordance with South African laws, unless otherwise specified in SCC.
- 31. Notices** 31.1 Every written acceptance of a bid shall be posted to the supplier concerned by registered or certified mail and any other notice to him shall be posted by ordinary mail to the address furnished in his bid or to the address notified later by him in writing and such posting shall be deemed to be proper service of such notice
- 31.2 The time mentioned in the contract documents for performing any act after such aforesaid notice has been given, shall be reckoned from the date of posting of such notice.
- 32. Taxes and duties** 32.1 A foreign supplier shall be entirely responsible for all taxes, stamp duties, license fees, and other such levies imposed outside the purchaser's country.
- 32.2 A local supplier shall be entirely responsible for all taxes, duties, license fees, etc., incurred until delivery of the contracted goods to the purchaser.
- 32.3 No contract shall be concluded with any bidder whose tax matters are not in order. Prior to the award of a bid the Department must be in possession of a tax clearance certificate, submitted by the bidder. This certificate must be an original issued by the South African Revenue Services.
- 33. National Industrial Participation Programme (NIP)** 33.1 The NIP Programme administered by the Department of Trade and Industry shall be applicable to all contracts that are subject to the NIP obligation.
- 34 Prohibition of Restrictive practices** 34.1 In terms of section 4 (1) (b) (iii) of the Competition Act No. 89 of 1998, as amended, an agreement between, or concerted practice by, firms, or a decision by an association of firms, is prohibited if it is between parties in a horizontal relationship and if a bidder (s) is / are or a contractor(s) was / were involved in collusive bidding (or bid rigging).
- 34.2 If a bidder(s) or contractor(s), based on reasonable grounds or evidence obtained by the purchaser, has / have engaged in the restrictive practice referred to above, the purchaser may refer the matter to the Competition Commission for investigation and possible imposition of administrative penalties as contemplated in the Competition Act No. 89 of 1998.

- 34.3 If a bidder(s) or contractor(s), has / have been found guilty by the Competition Commission of the restrictive practice referred to above, the purchaser may, in addition and without prejudice to any other remedy provided for, invalidate the bid(s) for such item(s) offered, and / or terminate the contract in whole or part, and / or restrict the bidder(s) or contractor(s) from conducting business with the public sector for a period not exceeding ten (10) years and / or claim damages from the bidder(s) or contractor(s) concerned.



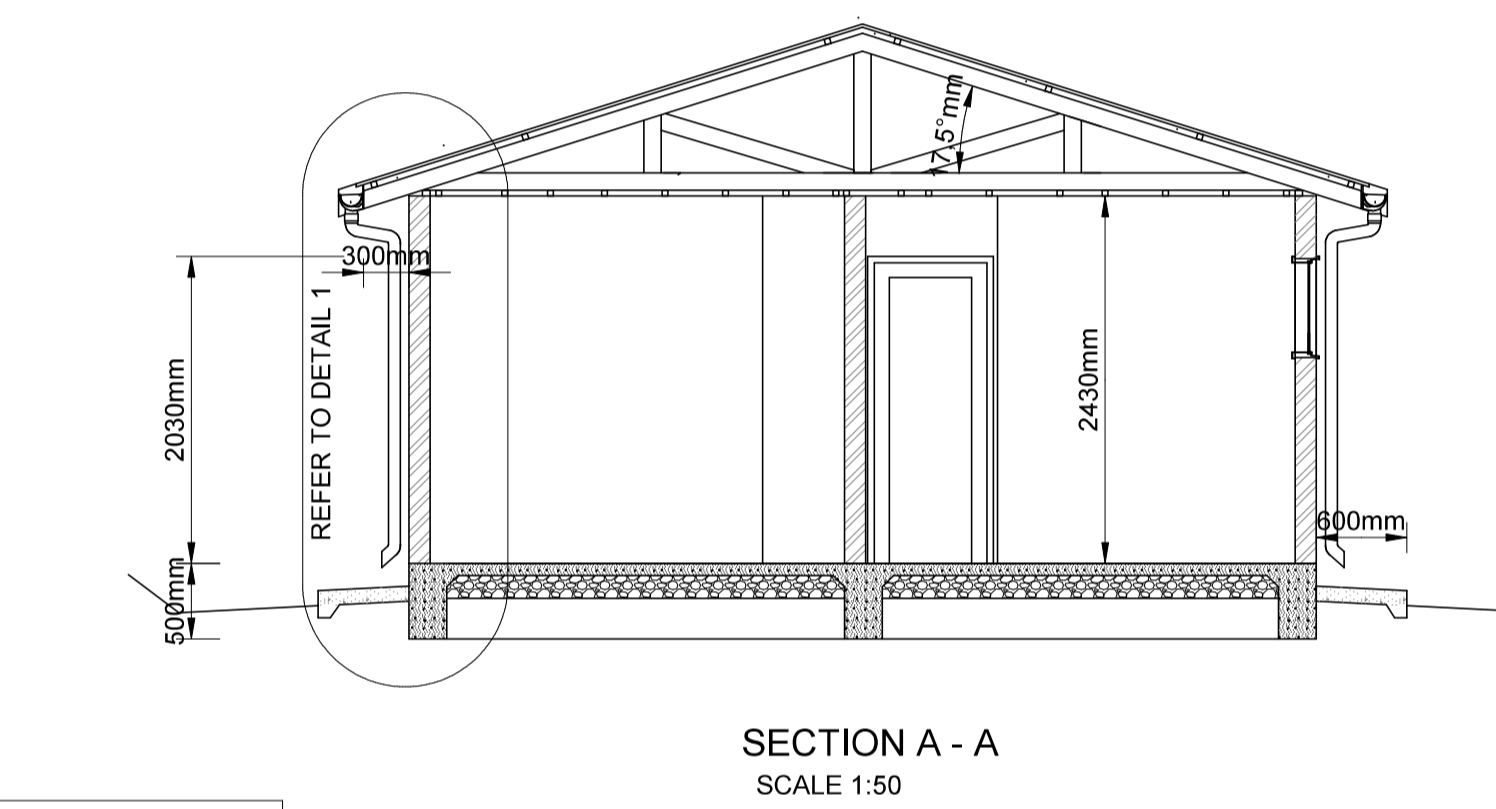
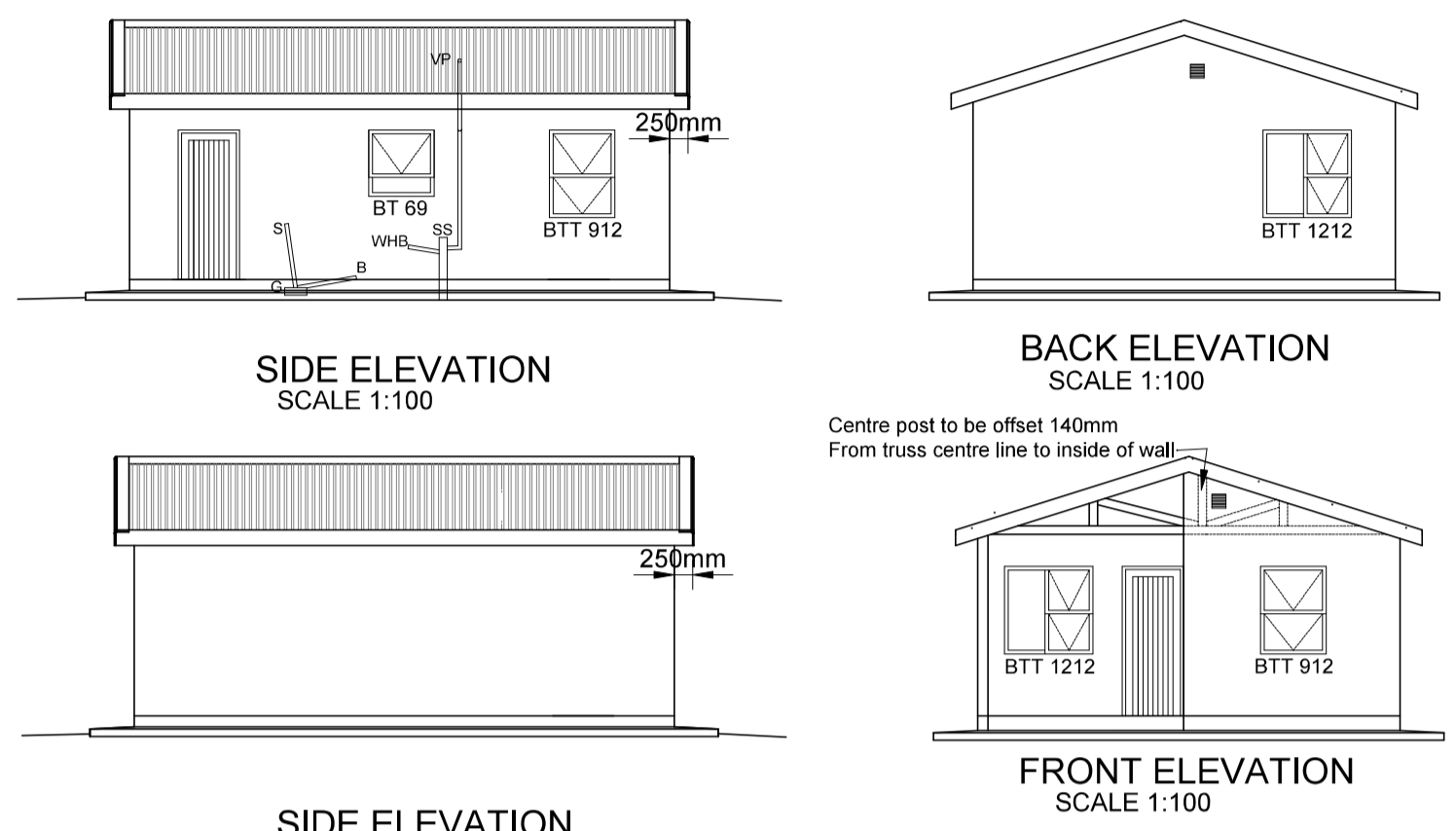
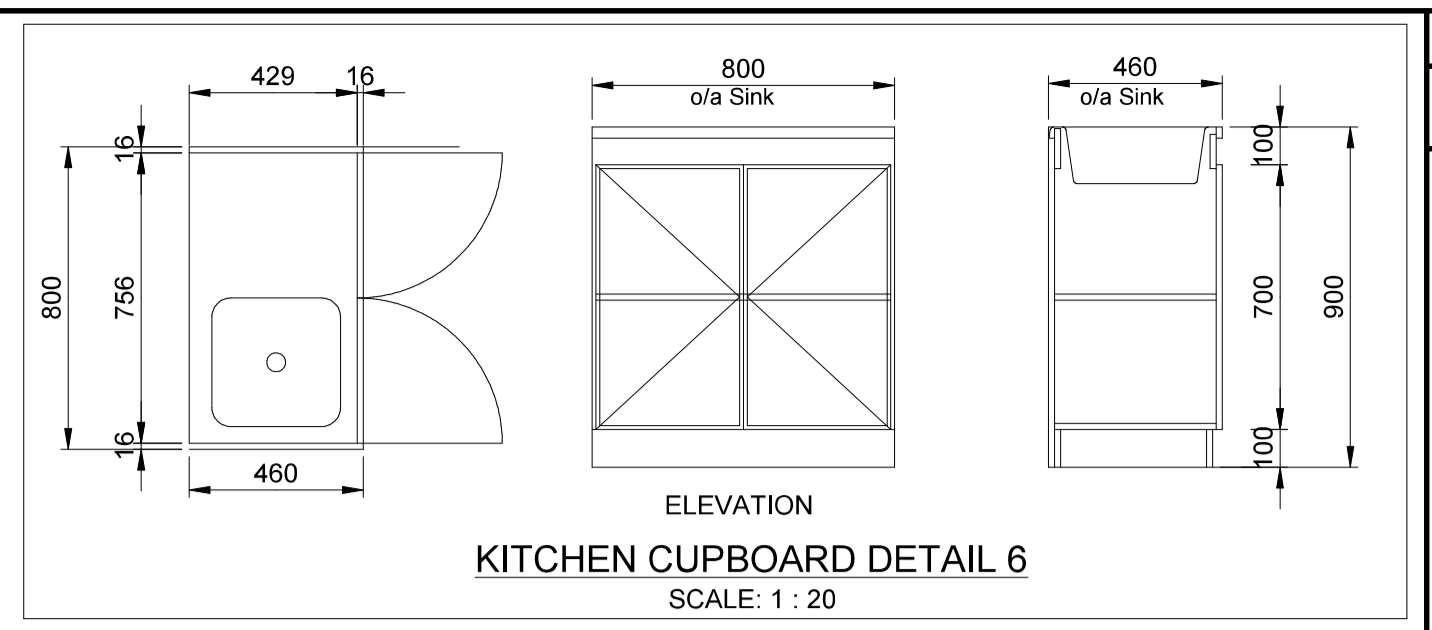
KITCHEN CUPBOARD SPECIFICATION:

All dimensions to be checked and verified on site before commencing the manufacture of joinery fittings. Fix joinery to masonry and/or concrete with suitable plugs and screws or expanding bolts. Provide all necessary blocking pieces and sub-frames. Cupboard unit to suit 800x460mm single bowl drop on stainless steel sink.

CARCASS, SHELVING & DOORS:

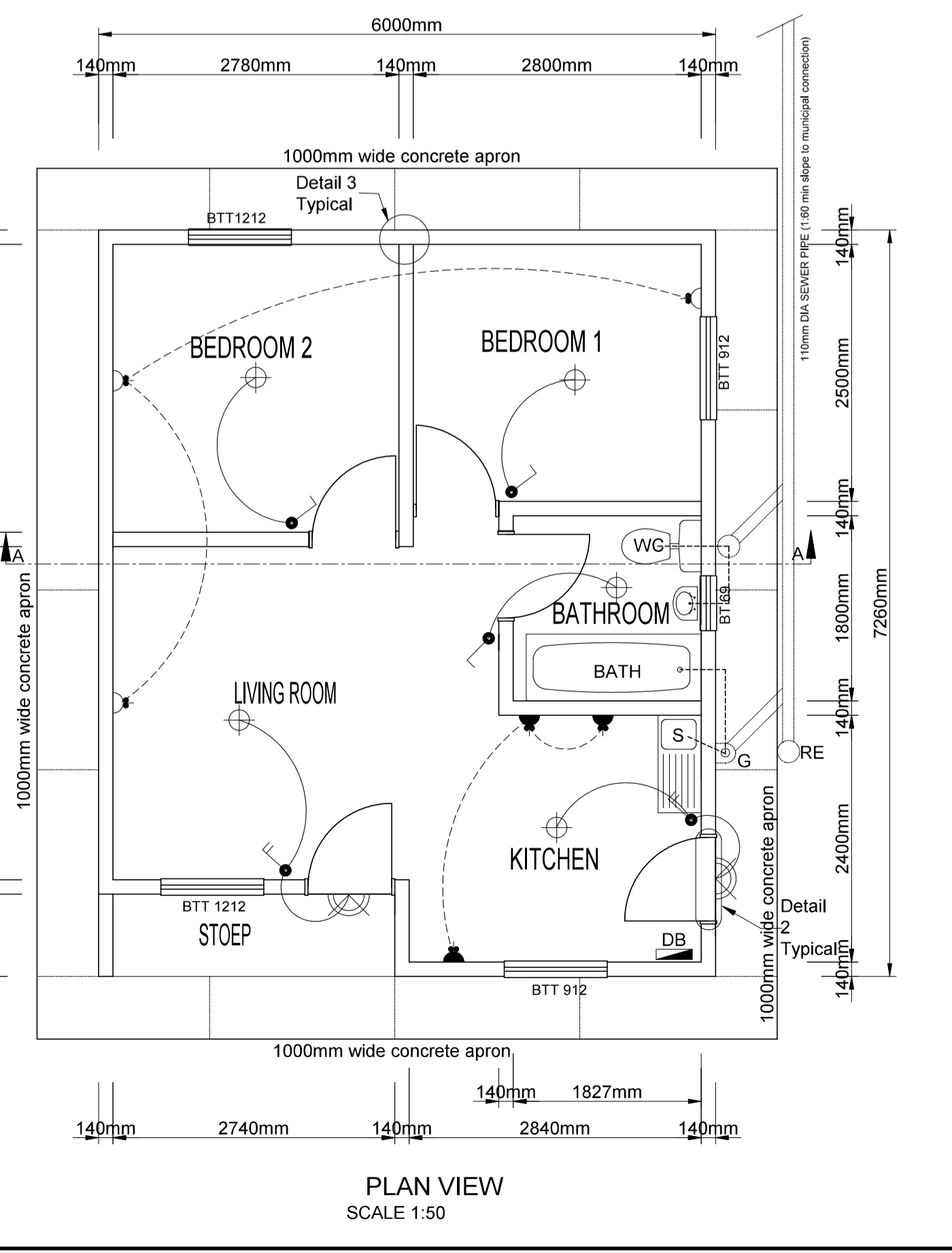
16mm thick high density class 3 particle board (SABS 1300) with 0.55mm thick high pressure light duty quality decorative laminate (SABS 1405) in standard colour and finish. All exposed edges to have matching 0.35mm thick laminate.

Doors to each be fitted with 1 pair quality self-closing metal hinges and 1 nylon handle. Shelf to be height adjustable.



ELECTRICAL LEGEND

⊕	CEILING MOUNTED LIGHT FITTING
⊙	WALL/SURFACE MOUNTED LIGHT FITTING 230mm ABOVE FFL
⊖	DISTRIBUTION BOARD 1500mm ABOVE FFL
⊕	SINGLE 15 AMP PLUGPOINT 1100mm ABOVE FFL
⊖	SINGLE 15 AMP PLUGPOINT 300mm ABOVE FFL
⊕	LIGHT SWITCH 1350 mm ABOVE FFL
⊖	TWO-WAY LIGHT SWITCH 1350 mm ABOVE FFL



LEGEND

© COPYRIGHT
This drawing and design are confidential and the property of Kantey & Templer and may not be disclosed to a third party, copied or reproduced in whole or in part without the written permission of Kantey & Templer.

GENERAL BUILDING SPECIFICATION

Note:
THIS SPECIFICATION IS FOR EXPANSIVE SOIL. (SITE CLASS "H3", "C2", "NHBC MANUAL Part 1, Section 2, Table 1 AND SLOPING GROUNDS SUCH THAT THE HEIGHT OF FILL RETAINED BY FOUNDATION WALLS DOES NOT EXCEED 400mm. NHBC MANUAL Part 2, Section 3, Table 8). FOR NON-EXPANSIVE, COMPRESSIBLE & POTENTIALLY COLLAPSIBLE, COMPRESSIBLE AND VARIABLE SOIL TYPES (SITE CLASS "H1", "H2", "C1", "C2", "C3" AND "F") NHBC MANUAL Part 1, Section 2, Table 1. THE COMPLETE STRUCTURE IS TO BE DESIGNED, INSPECTED AND APPROVED BY A REGISTERED PROFESSIONAL STRUCTURAL ENGINEER.

GENERAL:
All materials and workmanship to comply with NHBC - Home Building Manual, SANS 1040 and DHS Norms and Standards.

SETTING OUT:
The longer axis of the house should be oriented to run as near east-west as possible to assist thermal efficiency.

SITE PREPARATION:
An area extending 1.5m beyond the perimeter of the house is to be cleared of all refuse and vegetation. The site shall be sloped so that no water pond within 1.5m of the house and the ground immediately around the house shall be kept at least 100mm over 1.5m beyond the perimeter of the unit. Topsoil containing grass and vegetation roots shall be removed from the area where the floor slab and apron will form.

FOUNDATIONS:
As per Engineers Design.

WALLS:
External walls of 300 x 190 x 140mm, internal walls and beam filling of 390 x 190 x 140mm concrete blocks (SABS 1315) laid, with 10mm thick horizontal and vertical mortar joints, in class 2 mortar (1:1 cement sand mortar). External 140mm walls to be reinforced with galvanized brickwork in the course above floor slab and every 2nd course thereafter. Above window and door openings, 20mm reinforcement to be every 100mm course up to wall plate level, 375 micron "terragrip" (dimpled-top course SABS 845) to be built into external and internal walls at floor level with minimum 150mm overlaps. Intersecting external and internal walls to be tied together with 20mm long x 1.2mm galvanized steel wire built minimum 400mm into both ends, built into the intersecting wall at 400mm vertical centres (2 block courses). Block course at hoop-iron strap fixed with 15mm thick smooth concrete. Walls finished both internally and externally with 15mm thick smooth plaster. External walls to be painted with 1 coat of approved exterior primer undercoat and 2 coats super acrylic paint lined PVA complying with SABS 1586 Grade 2. In accordance with manufacturer's instructions. Internal walls, kitchen and kitchen to be painted with 1 coat of primer and 2 coats white gloss enamel paint. All other internal walls to be painted with 1 coat of primer and 2 coats white acrylic emulsion. Beaming to be plastered flush with external face of walls, 150 x 150mm minimum profile concrete arches blocks to be built into the external face of each gable wall in position clear of bus members.

LINTELS:
All lintels to be precast concrete (SABS 1504) built in with a minimum bearing length of 150mm each side of door opening. No lintel required over window openings and external doorframes. Lintels are required over internal doorframes only. All lintels to be bedded in mortar as for wall blocks.

WINDOW & DOOR FRAMES:
All window and external door frames to be Betcrete polykrome frames. Lugs have to be built into walls with ends turned down into block cores. Affected blocks to be filled with mortar or 10MPa concrete.
Windows to be Betcrete Aluminium to fit exactly into the polykrome window outframe. fitted to manufacturer's specifications. Glass to be 4mm monolithic annealed clear glass. Internal door frames to be 15mm pressed metal to receive 813mm x 2032mm doors.

DOORS:
External doors to be 813 x 2032mm solid meranti with frames, ledges, cross brace and battened doors with SABS 3 level locks. External doors to be sanded down all round and treated with 50/50 mixture of polyurethane and mineral kieselguhr and finished with two generous coats of a clear Hi-Eat polyurethane varnish. Internal doors to be 813 x 2032mm hollow core Masonite clad with SABS 2 level locks.

ROOF:
Double Roman roof tiles and V ridge tile (SABS 842). Bottom 2 rows of tiles are to be nailed/screwed to resist wind uplift with 2.0mm gauge aluminium alloy oriented chord nails of the correct length to suit the profile of approved non-combustible "bonded" tiles to be fixed in accordance with 38 x 50mm softwood battens and 38 x 50mm rafter battens at max. 200mm centres. 0.25mm under-roofing membrane with min. 150mm overlaps on prefabricated roof trusses as per engineer's specifications. Trusses fixed on 38 x 50mm wallplates designed, manufactured and erected in accordance with SABS 1243 (TC certificate to be provided by contractor for design & construction of complete roof structure. Trusses at max. 700mm c/c laid down to walls with steel galvanised wire built minimum 400mm into walls. Roofwire to be looped around reinforcing, taken up within the hollow care of the block and wrapped tightly around truss and wire ends nailed down. Trusses braced with 38 x 14mm continuous bracing members nailed to underside of rafters at approximately 45 degrees, so that it does not interfere with the truss walls, with 3 no. x 75mm nails per connections.

BARGE BOARDS:
80 x 200mm F.C. barge boards, screwed etc to ends of 44 x 70mm rail and pre-bed 38 x 38mm softwood bracing (SABS 653) fixed to underside of ledgers at maximum 400mm c/c in span direction only. Fix 44 x 70mm softwood cover strips over all joint joints. Fix 38 x 38mm softwood bracing around ceiling edges for 75mm gypsum covered cornice all round, galvanised steel nailed at 300mm c/c. Prime nail heads with galvanised iron primer and paint ceiling with 2 coats matt acrylic white SABS 1586 Grade 2. Provide a 600 x 600mm trap door or 32 x 44mm wrought softwood related framing with one 38 x 38mm sawn softwood bracing covered with ceiling board and fixed flush in opening.

FASCIA BOARDS:
225 x 10mm EVERETTE Nutec Fascia boards, medium density plan, including jacking strip for butt-jointing. fixed to truss ends with 15mm brass screws with washers. Use PVC spacers and No. 685-021 H-profile jacking through.

GUTTERS & DOWNPIPES:
VYNADEEP gutters with eipoints (DEBT) both sides and outlet (DO50) as indicated. Gutter fixed with fascia brackets (DK501) and brass screws @ 750mm c/c to a minimum fall of 1:60. 80mm VYNADEEP downpipes including all bends as required fixed to walls with pins (DK200). Gutters & downpipes installation as per VYNADEEP specifications.

CEILING:
6.4mm thick fibre gypsum ceiling boards galvanised steel nailed at 150mm c/c to 38 x 38mm softwood bracing (SABS 653) fixed to underside of ledgers at maximum 400mm c/c in span direction only. Fix 44 x 70mm softwood cover strips over all joint joints. Fix 38 x 38mm softwood bracing around ceiling edges for 75mm gypsum covered cornice all round, galvanised steel nailed at 300mm c/c. Prime nail heads with galvanised iron primer and paint ceiling with 2 coats matt acrylic white SABS 1586 Grade 2. Provide a 600 x 600mm trap door or 32 x 44mm wrought softwood related framing with one 38 x 38mm sawn softwood bracing covered with ceiling board and fixed flush in opening.

CEILING INSULATION:
75mm thick x 750mm wide lightweight compressible mineral fibre insulation (SABS 135-1) laid on top of the ceiling between trusses.

APRON & STEPS:
1000mm wide x 80mm thick 20MPa concrete apron with a 1 in 50 fall away from the house. Apron to be cast in parallel of maximum length of 1.5m, on selected heavy material, well compacted to required levels. For sloping sites - cast minimum 200Pa concrete steps 1.2m wide with maximum 270mm tread width and maximum 200mm riser height. Brush the surface after concrete has stiffened sufficiently to leave a coarse non-slip surface.

ELECTRICAL:
Electrical cables to be reticulated in PVC electrical conduits within the roof trusses and returned down in the blockwork cavities to all plug points, light switches and wall lights. COC required for each unit constructed. See Electrical drawing 00001 rev.1.

NOTE:
Any alternative material / building system or deviation from the above specification is to be shown on plans and submitted for approval by the chief building inspector prior to commencement of construction.

SITE CLASS: H

CONSTRUCTION TYPE: STIFFENED RAFT

CATEGORY OF EXPECTED DAMAGE:

COMPETENT PERSON:

REGISTRATION NUMBER: _____

SIGNATURE: _____

Scale as shown

REVISIONS

No	Description	Date
8	FOR APPROVAL	12/05/2018

Drawn: PB (Designed)

Checked: BN (Engineer)

Pr Eng No: _____ Date: 23/02/2018

KANTEY & TEMPLER
CONSULTING ENGINEERS
Engineering African Development

P.O. BOX 21719 GREENACRES SOUTH AFRICA 0227 TEL: +27 41 373 0735

HDA

Client: _____

Contract Name: _____

CONSTRUCTION OF HOUSING UNITS IN MANDELAVILLE

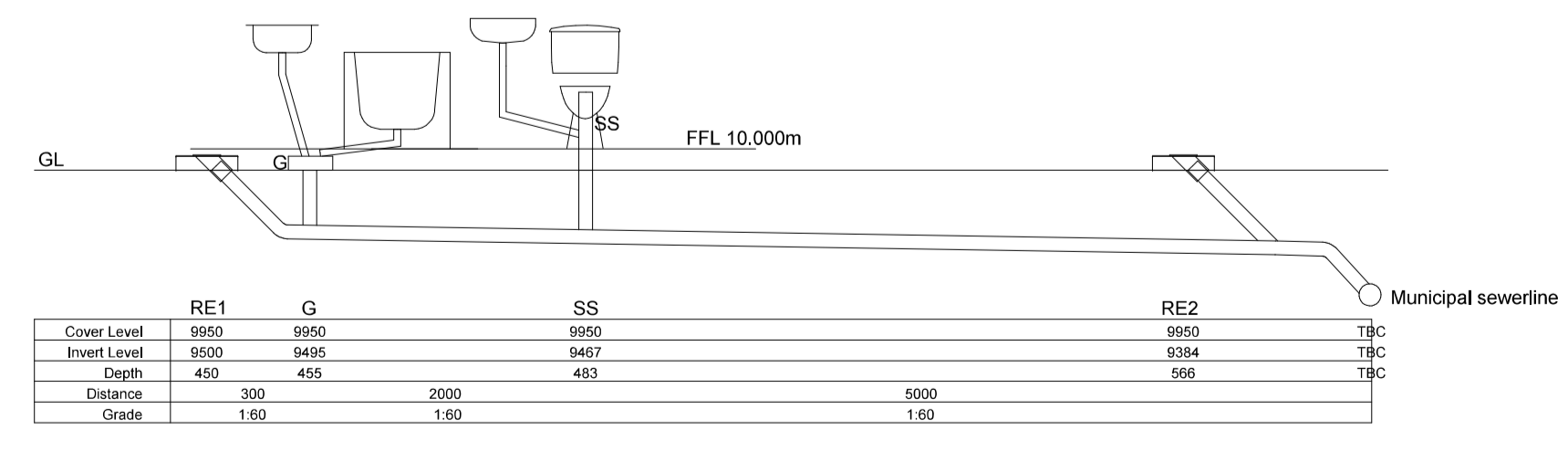
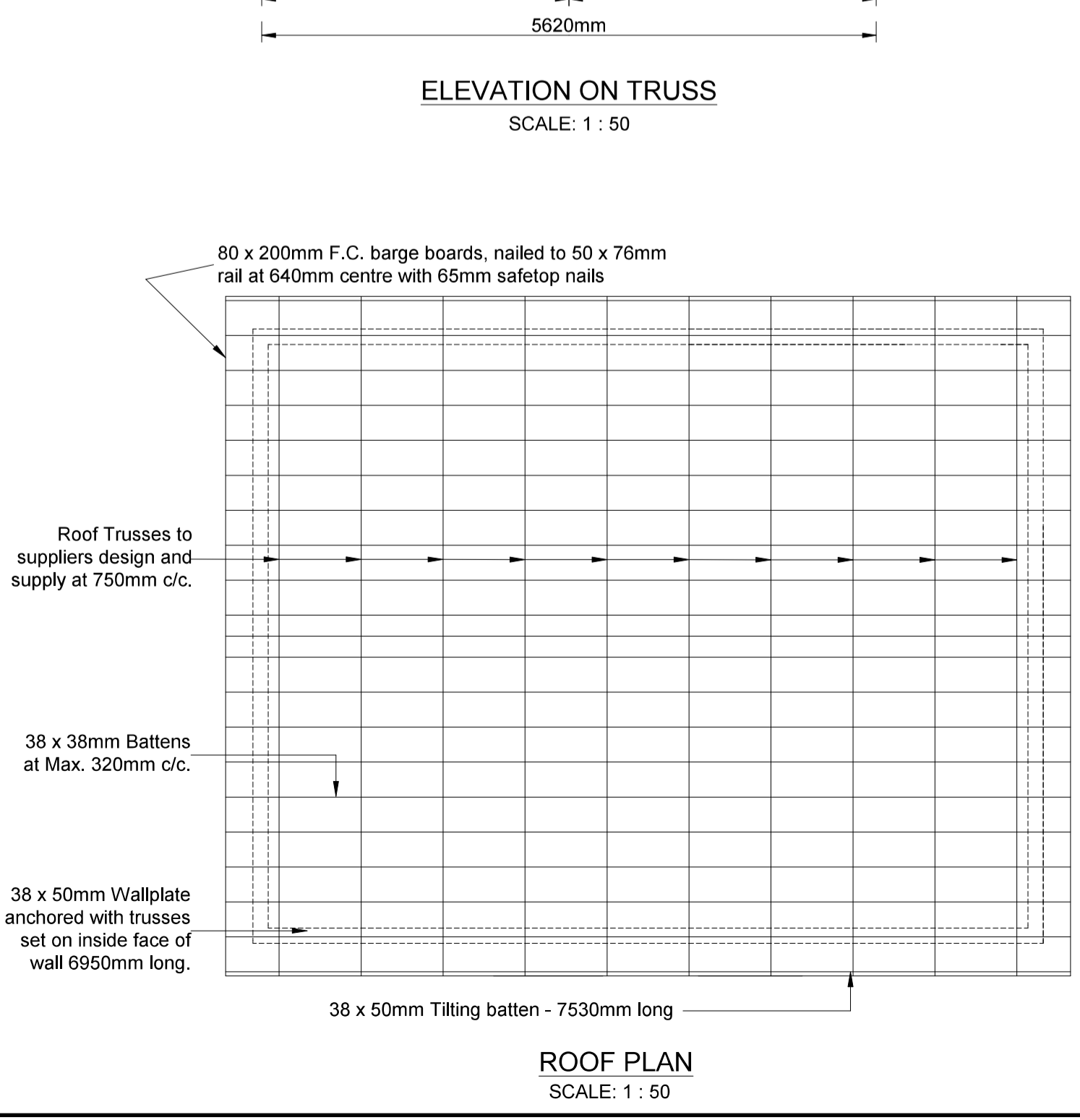
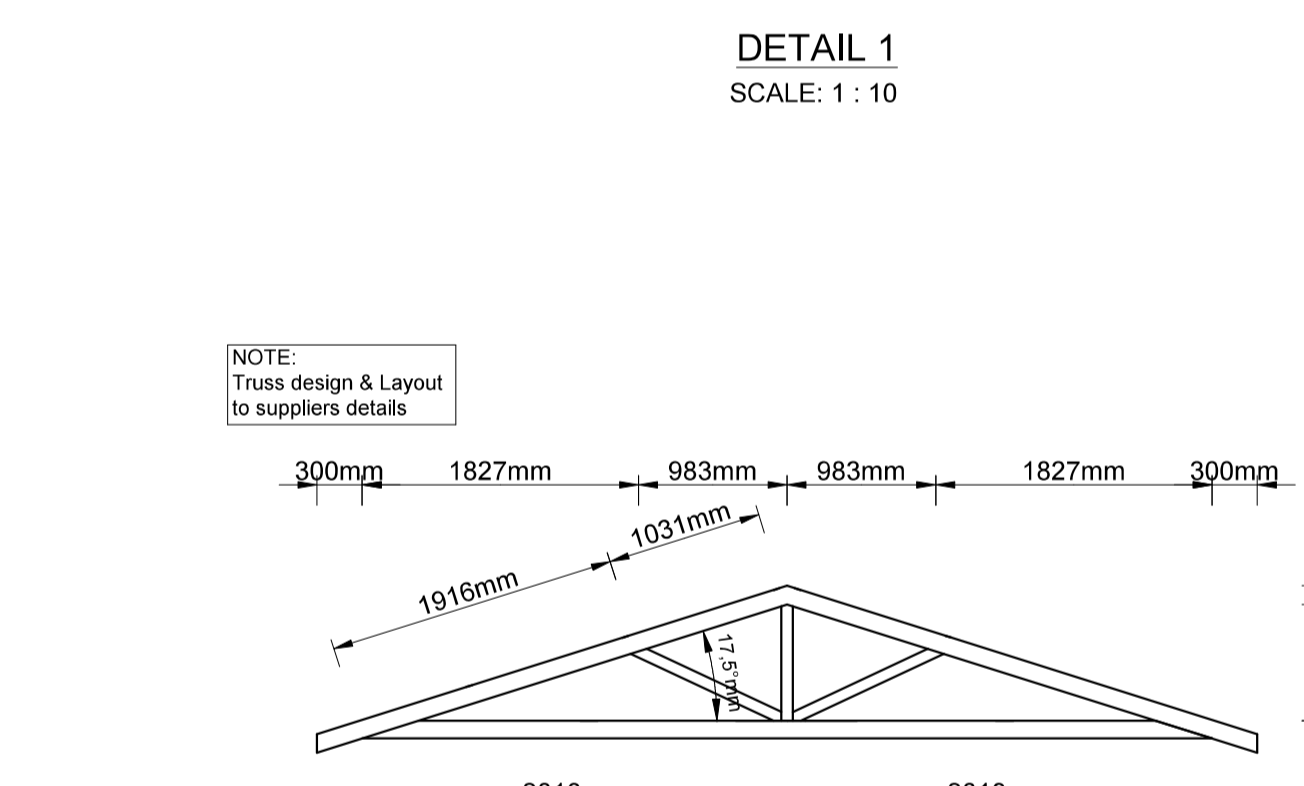
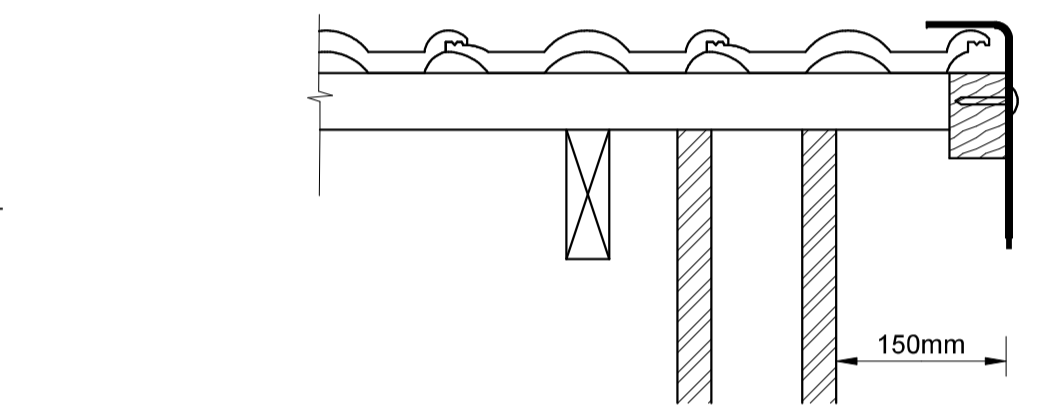
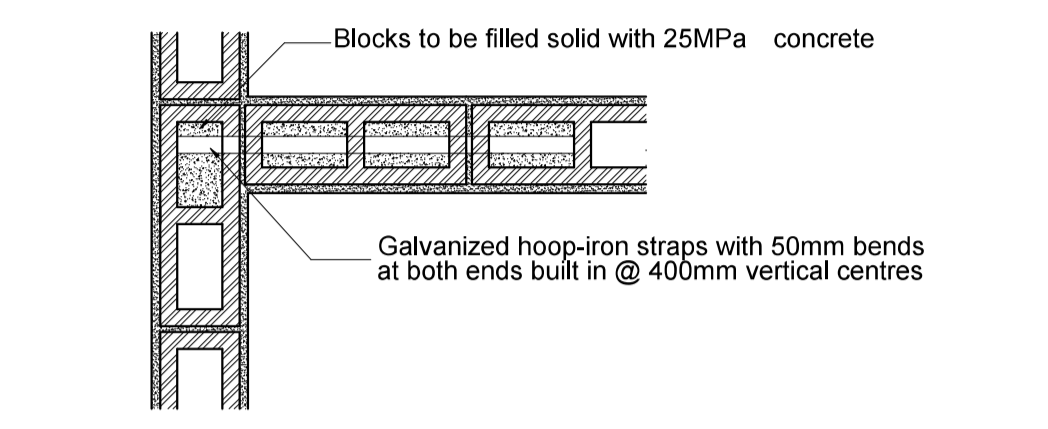
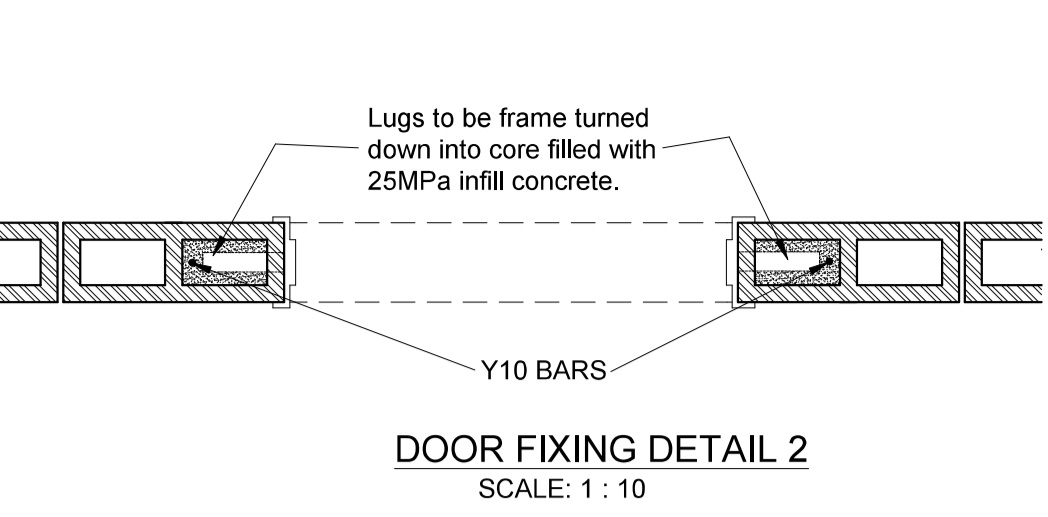
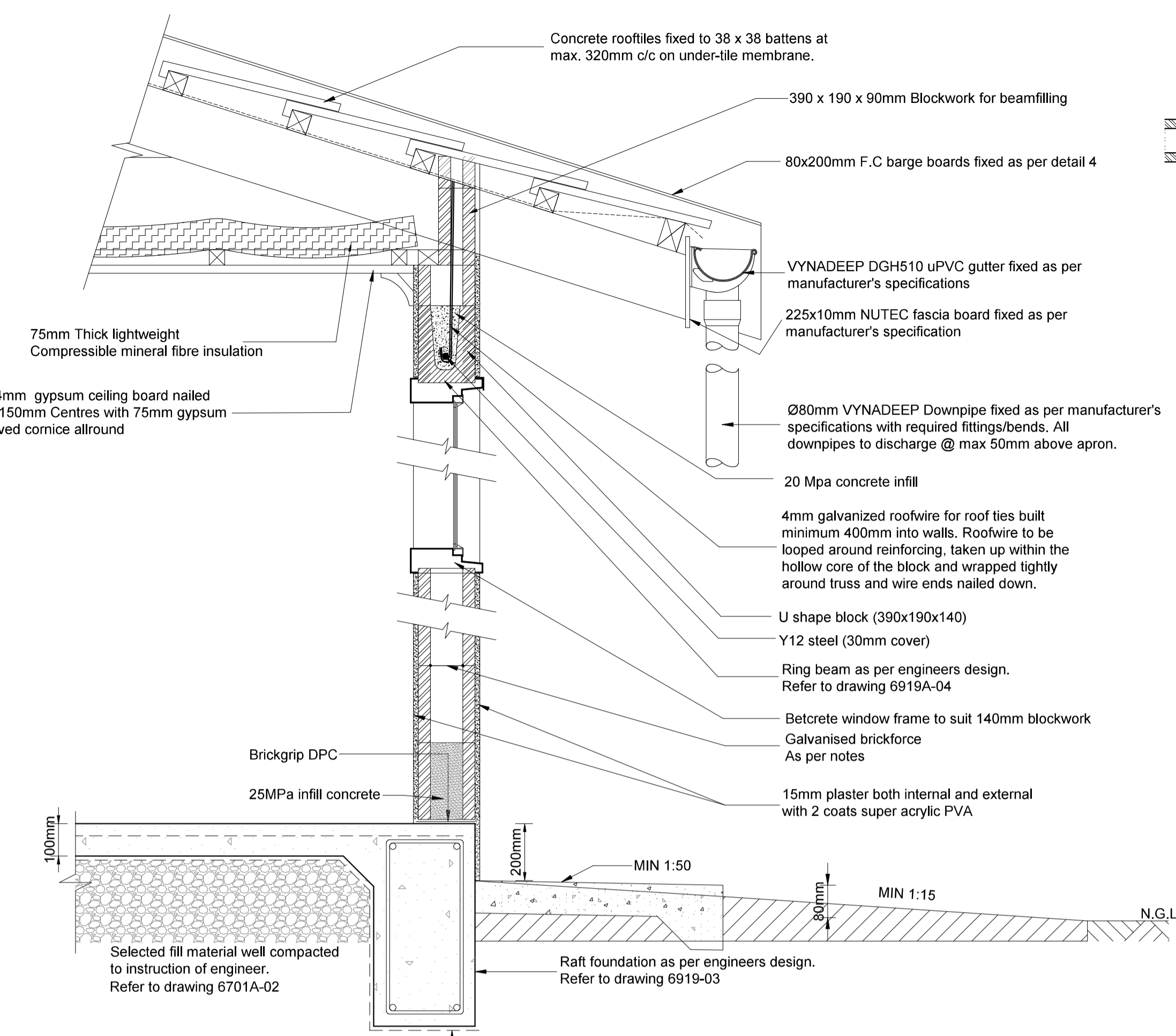
Title: _____

Project: _____

HOUSE PLAN LAYOUT, SECTIONS & DETAILS

6919A - 02 - M

Drawing No: _____ Rev No: _____



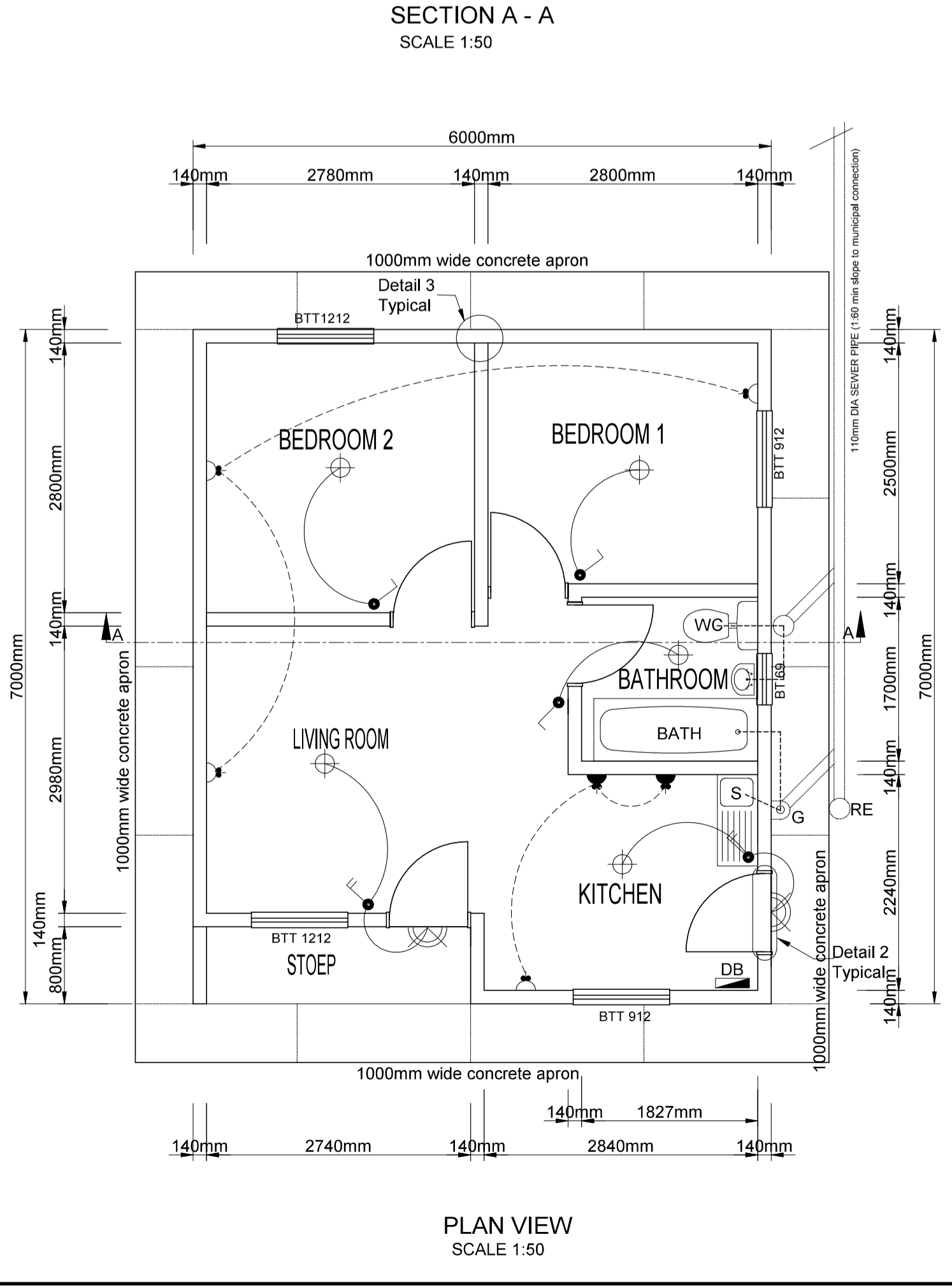
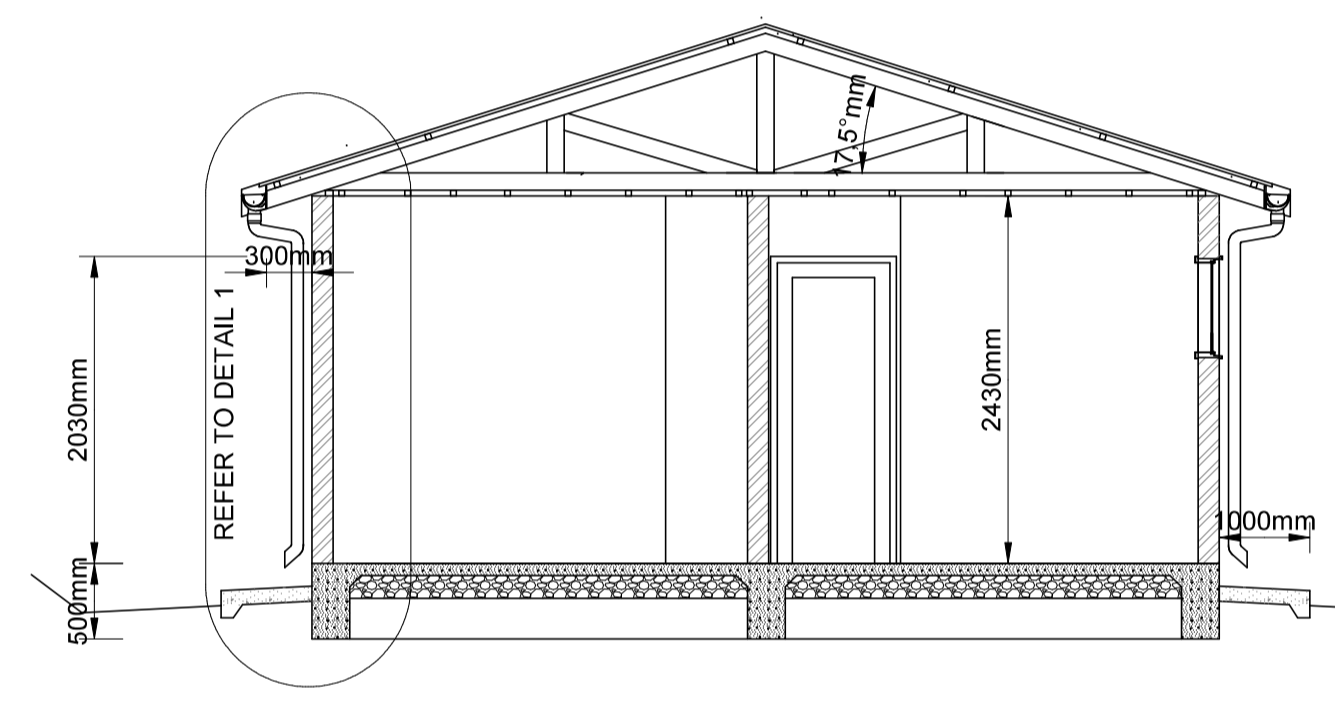
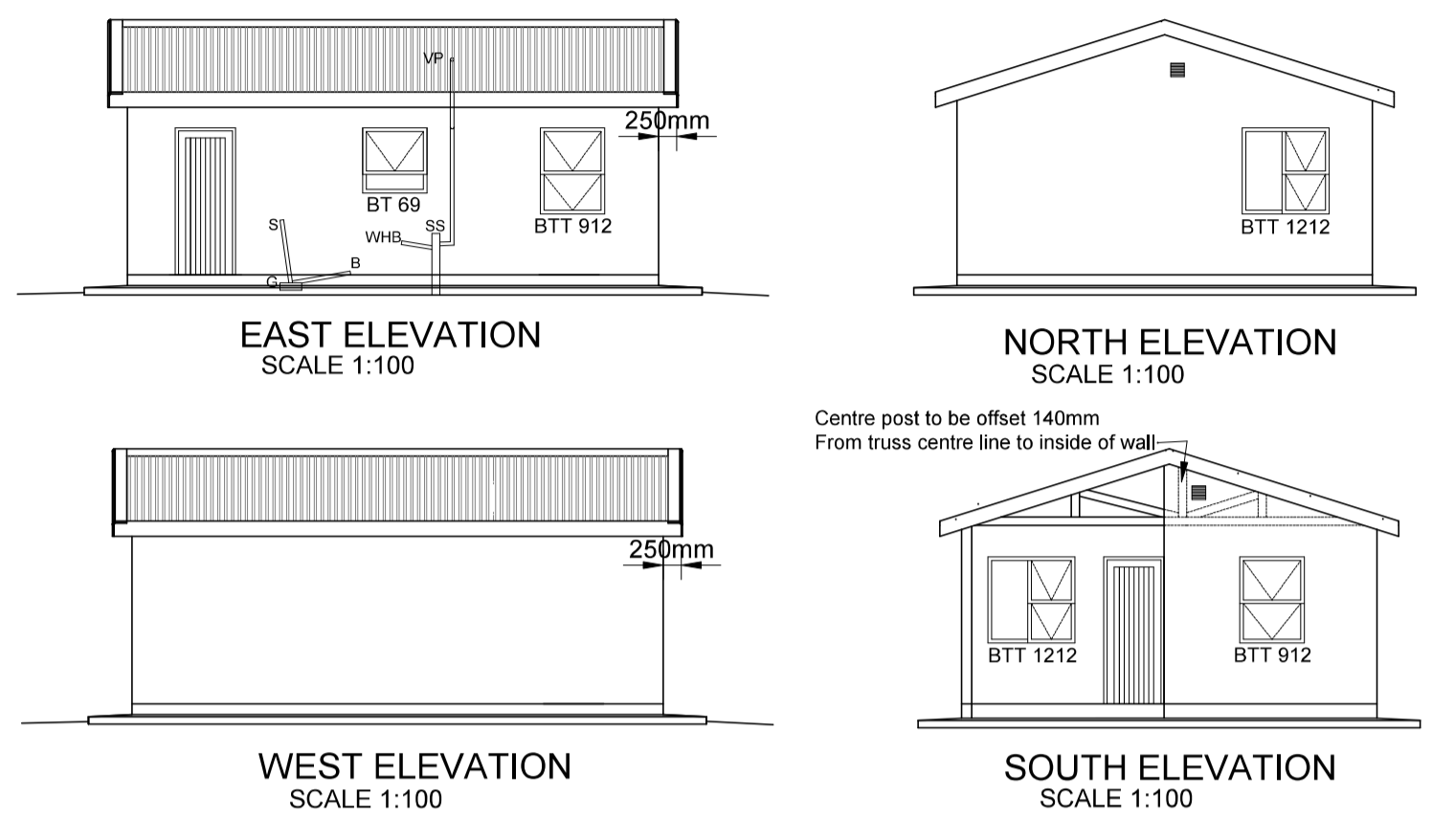
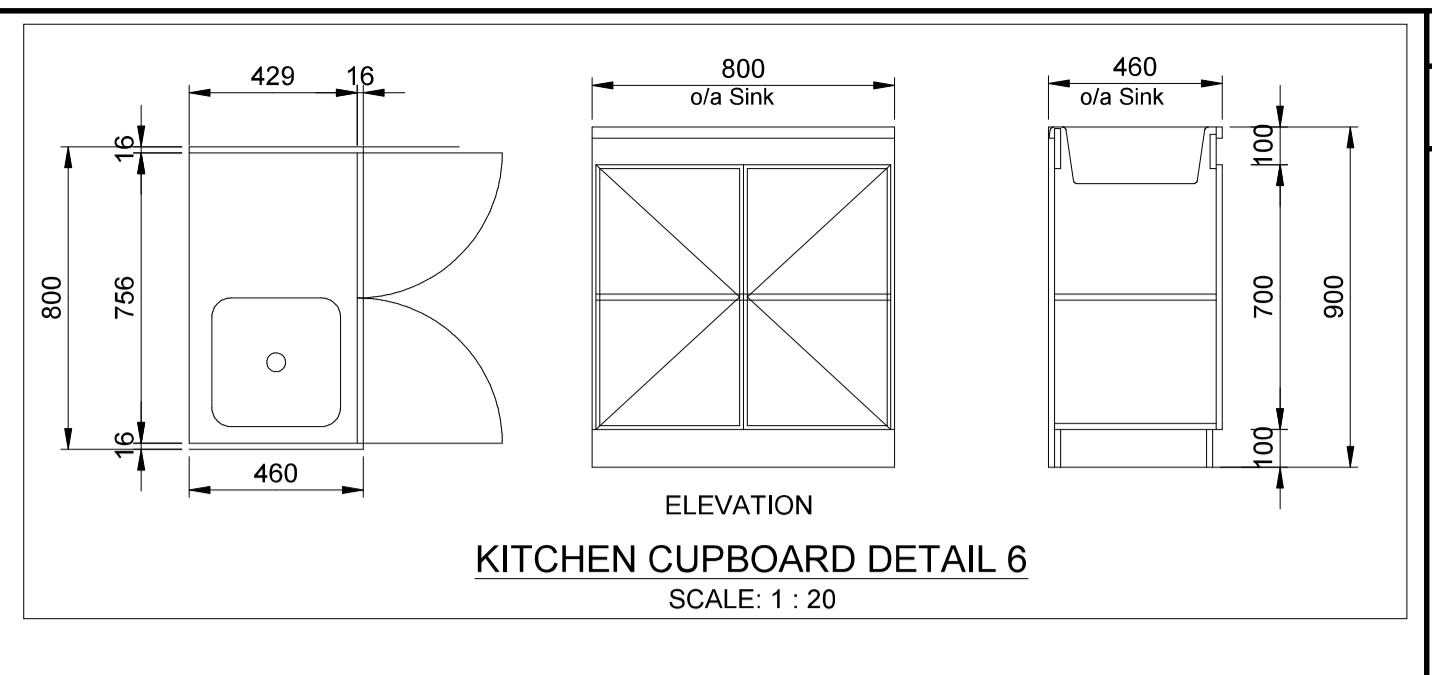
KITCHEN CUPBOARD SPECIFICATION:

All dimensions to be checked and verified on site before commencing the manufacture of joinery fittings. Fix joinery to masonry and/or concrete with suitable plugs and screws or expanding bolts. Provide all necessary blocking pieces and sub-frames. Cupboard unit to suit 800x460mm single bowl drop on stainless steel sink.

CARCASS, SHELVING & DOORS:

16mm thick high density class 3 particle board (SABS 1300) with 0.55mm thick high pressure light duty quality decorative laminate (SABS 1405) in standard colour and finish. All exposed edges to have matching 0.35mm thick laminate.

Doors to each be fitted with 1 pair quality self-closing metal hinges and 1 nylon handle. Shelf to be height adjustable.



ELECTRICAL LEGEND	
	CEILING MOUNTED LIGHT FITTING
	WALL/SURFACE MOUNTED LIGHT FITTING 2300mm ABOVE FFL
	DISTRIBUTION BOARD 1500mm ABOVE FFL
	SINGLE 15 AMP PLUGPOINT 1100mm ABOVE FFL
	SINGLE 15 AMP PLUGPOINT 300mm ABOVE FFL
	LIGHT SWITCH 1350 mm ABOVE FFL
	TWO-WAY LIGHT SWITCH 1350 mm ABOVE FFL

LEGEND

© COPYRIGHT
This drawing and design are confidential and the property of Kantey & Templer and may not be disclosed to a third party, copied or reproduced in whole or in part without the written permission of Kantey & Templer.

GENERAL BUILDING SPECIFICATION

Note:
THIS SPECIFICATION IS FOR EXPANSIVE SOIL. (SITE CLASS "H2", "C2", "NHRC MANUAL Part 1, Section 2, Table 1 AND SLOPING GROUND SUCH THAT THE HEIGHT OF FILL RETAINED BY FOUNDATION WALLS DOES NOT EXCEED 400mm. NHRC MANUAL Part 2, Section 3, Table 8). FOR COMPRESSIBLE & POTENTIALLY COLLAPSEABLE, COMPRESSIBLE AND VARIABLE SOIL TYPES (SITE CLASS "H1", "C1", "C2", "C3", "S2" and "P"). NHRC MANUAL Part 1, Section 2, Table 1. THE COMPLETE STRUCTURE IS TO BE DESIGNED, INSPECTED AND APPROVED BY A REGISTERED PROFESSIONAL STRUCTURAL ENGINEER.

GENERAL:
All materials and workmanship to comply with NHBC - Home Building Manual, SANS 1040 and DHS Norms and Standards.

SETTING OUT:
The longer axis of the house should be oriented to run as near east-west as possible to assist thermal efficiency.

SITE PREPARATION:
An area extending 1.5m beyond the perimeter of the house is to be cleared of all refuse and vegetation. The site shall be sloped so that no water pond within 1.5m of the house, and the ground immediately around the house shall be sloped to fall at least 100mm over 1.5m beyond the perimeter of the unit. Topsoil containing grass and vegetation roots shall be removed from the area where the floor slab and apron will be.

FOUNDATIONS:
As per Engineers Design.

WALLS:
External walls of 300 x 190 x 140mm, internal walls and beam filling of 390 x 190 x 140mm concrete blocks (SABS 1215) laid, with 15mm thick horizontal and vertical mortar joints, in class 2 mortar (1:1 cement sand mortar). External 140mm walls to be reinforced with galvanized brickforce in the course above floor slab and every 2nd course thereafter. Internal walls to be reinforced with galvanized brickforce in every brick course up to wall plate level, 375 micron "brickgrip" (slimp-roof course SABS 654) to be built into external and internal walls at floor level, with minimum 150mm overlaps. Intersecting external and internal walls to be tied together with 20mm long x 30 x 1.2mm galvanized hoops with 50mm bends at both ends, built into the intersecting walls at 400mm vertical centres (2 block courses). Block courses at hoop iron straps to be finished with 15mm thick smooth plaster. External walls to be painted with 1 coat of approved exterior primer undercoat and 2 coats super acrylic paint (SABS 1564) complying with SABS 1566 Grade 2. In accordance with manufacturer's specifications. Internal walls, kitchen and kitchen to be painted with 1 coat plaster primer and 2 coats white gloss enamel paint. All other internal walls to be painted with 1 coat plaster primer and 2 coats white acrylic emulsion. Beaming to be plastered flush with external face of walls, 150 x 150mm vermin-proof precast concrete blocks to be built into the external face of each gable wall in position clear of truss members.

LINTELS:
All lintels to be precast concrete (SABS 1504) built in with a minimum lowering length of 150mm each side of door opening. No lintel required over window openings. Lintels to be bedded in mortar as for wall blocks.

WINDOW & DOOR FRAMES:
All window and external door frames to be Betcrete polydrene frames. Lugs have to be built into walls with studs turned down into block cores. affected blocks are to be filled with mortar or 100% concrete.
Windows to be Betcrete-Aluminium to fit exactly into the polydrene window courseties. Refer to manufacturer's specifications. Glass to be 4mm monolithic annealed clear glass. Internal door frames to be 1mm pressed metal to receive 813mm x 2030mm doors.

DOORS:
External doors to be 813 x 2030mm solid meranti with frames, ledges, cross-brace and bedded doors with SABS 318 floor finish. External doors to be sanded clear all round and treated with a 50/50 mixture of pure linseed oil and mineral turpentine and finished with two general coats of clear 1st class polyurethane varnish. Internal doors to be 813 x 2030mm hollow core Masonite clad with SABS 2 lever lock.

ROOF:
Double Roman roofline and V-edge tiles (SABS 542). Bottom 2 rows of tiles are to be rafterbedded to rest with gable with 2.0mm gauge aluminium alloy embedded about nails of the correct length to suit the profile of approved non-corrosive aluminium tiles to be fixed in accordance with 3.0mm softwood battens and 38 x 20mm softwood batten at max. 200mm centres. 0.20mm underlayment membrane with min 150mm overlaps on prefinished roof trusses as per engineer's specifications. Trusses fixed on 3 x 4.0mm wallbrackets designed, manufactured and erected in accordance with SABS 0245. IRC certificate to be provided by contractor for design & construction of complete roof structure. Trusses at max. 700mm centres tied down to walls with 4mm galvanized wire built minimum 40mm into walls. Roofline to be looped around reinforcing. Lateral up within the hollow core of the block and wrapped tightly around truss and wire ends nailed down. Trusses braced with 38 x 14mm continuous bracing members nailed to underside of rafters at approximately 45 degrees, so that it does not interfere with the truss webs, with 3 no. x 15mm nails per connection.

BARGE BOARDS:
80 x 200mm F.C. barge boards, screwed etc to ends of 44 x 76mm rail and pre-bedded 38 x 20mm bracing at 400mm centres with 15mm brass screws with washers. Use PVC apex and No. 665-231 H profile jammers throughout.

FASCIA BOARDS:
225 x 10mm EVERITE Nutec Fascia boards, medium density fibre, including joining strip for butt-jointing, fixed to truss ends with 10mm brass screws with washers.

GUTTERS & DOWNPIPES:
VYNADEEP gutters with stopends (DEE1) both sides and outlet (DOE0) as indicated. Coffer fixed with brass brackets (DEE5) and brass straps @ 750mm c/c to a minimum fall of 1:50. Ø80mm VYNADEEP downpipes including all bends as required fixed to walls with pine clips (DC302). Gutters & downpipes installation as per VYNADEEP specifications.

CEILING:
6.4mm thick fibre gypsum ceiling boards galvanized about nailed at 150mm c/c into 38 x 20mm softwood bracing. SABS 653 fixed to underside of rafters at maximum 400mm c/c in span direction only. Fix 44 x 13mm softwood cover strips over all exposed joints. Fix 38 x 20mm softwood battens around ceiling edges for 75mm gypsum covered cornice all round, galvanized about nailed at 300mm c/c. Prime all heads with galvanized non primer and paint ceiling with 2 coats matt acrylic white SABS 1566 Grade 2. Provide a 600 x 600mm trap door or 32 x 144mm wrought softwood raised framing with one 38 x 20mm sawn softwood batten covered with ceiling board and fitted flush in opening.

CEILING INSULATION:
75mm thick x 175mm wide lightweight compressible mineral fibre insulation (SABS 1381-1) laid on top of the ceiling between trusses.

APRON & STEPS:
1000mm wide x 80mm thick 20MPa concrete apron with a 1:50 fall away from the house. Apron to be cast in panels of maximum length of 1.5m, on selected 15mm wallplate, well compacted to required level. For sloping sites, cast minimum 20MPa concrete steps 1.0m wide with minimum 270mm tread width and maximum 200mm rise height. Both the surface after concrete has hardened sufficiently to leave a course non-slip surface.

ELECTRICAL:
Electrical cables to be reticulated in PVC electrical conduits within the roof trusses and returned down in the blockwork cavities to all plug points, light switches and wall lights. COC required for each unit constructed. See Electrical drawing 000-001 etc.

NOTE:
Any alternative material/building system or deviation from the above specification is to be shown on plans and submitted for approval by the chief building inspector prior to commencement of construction.

SITE CLASS: H2

CONSTRUCTION TYPE: STIFFED RAFT

CATEGORY OF EXPECTED DAMAGE: F. BAIN

COMPETENT PERSON: F. BAIN

REGISTRATION NUMBER: 980344

SIGNATURE:

Scale as shown

REVISIONS

No	Description	Date
A	FOR APPROVAL	11/09/2019

Drawn: PB (Designed) FB (Engineer)
Checked: BN (Engineer) FB (Engineer)
Fr Eng No: 980344 Date: 11/09/2019

KANTEY & TEMPLER
CONSULTING ENGINEERS
Engineering African Development

P.O. BOX 2119 GREENACRES SOUTH AFRICA 0227 TEL: +27 41 372 0738

HDA

Contract: CONSTRUCTION OF 100 HOUSING UNITS IN BETHELSDORP PHASE 2

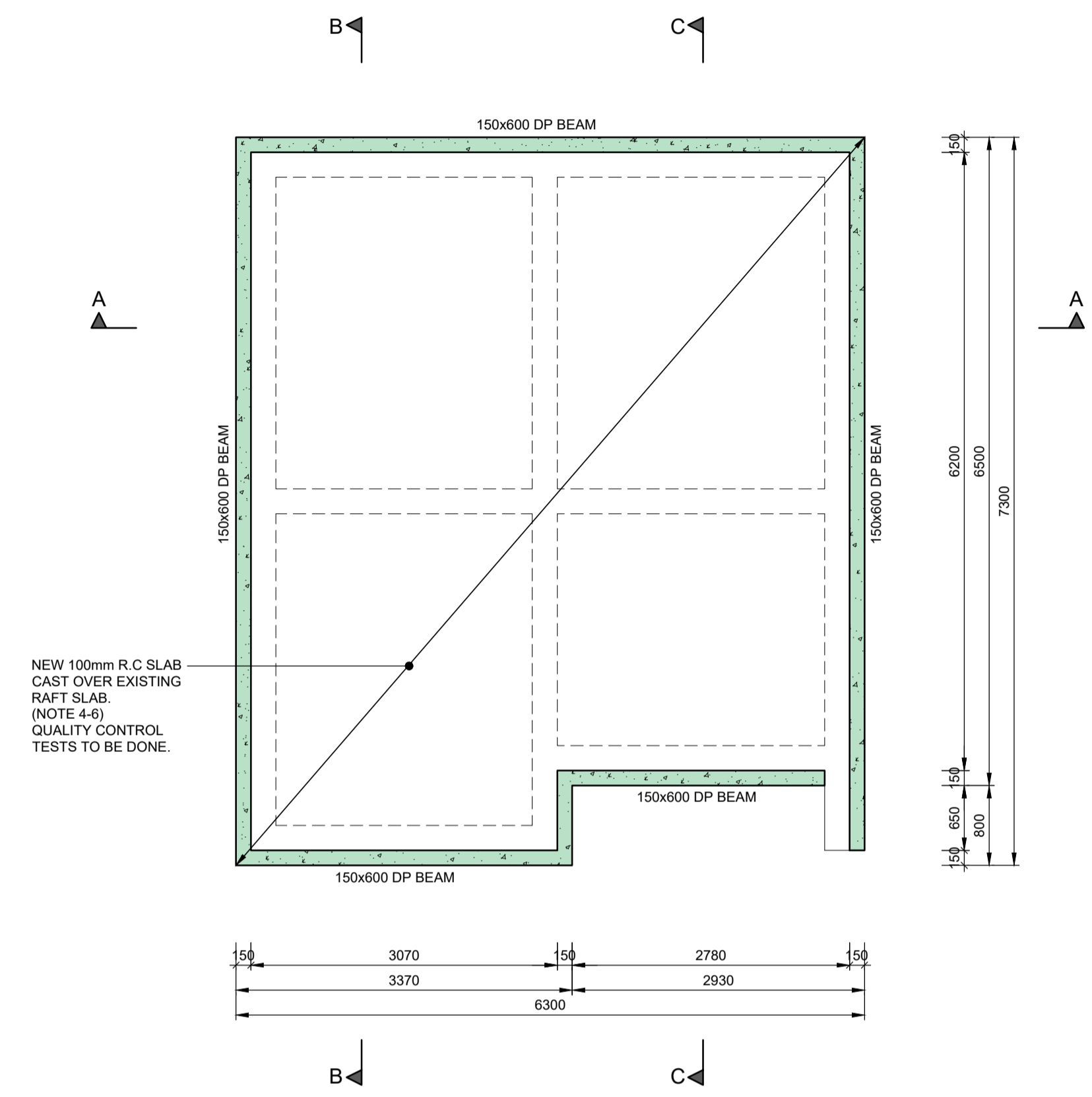
Title: 40m2 - HOUSE PLAN TYPE C LAYOUT, SECTIONS & DETAILS

6984A - 02 - UNIT A

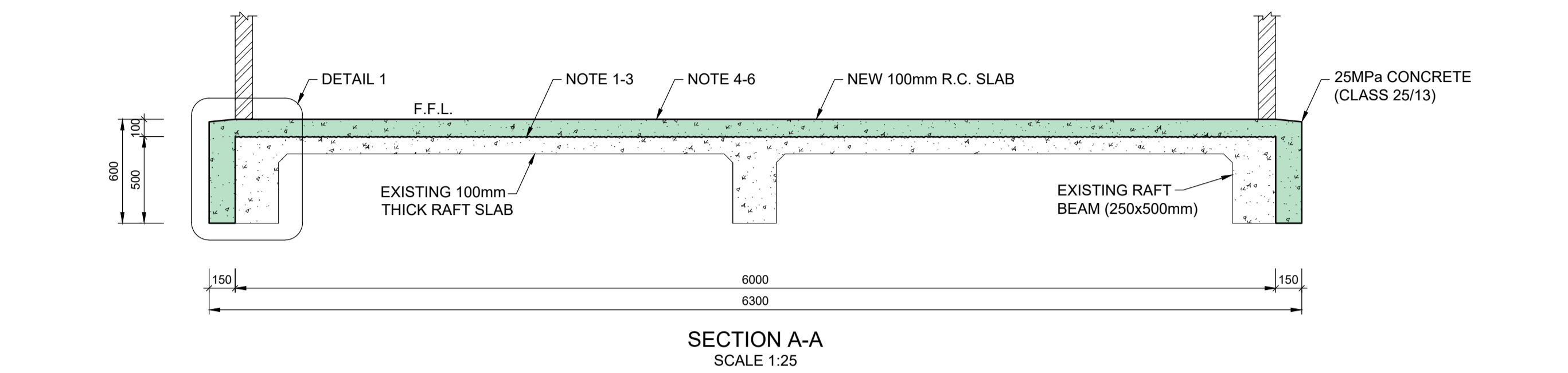
Drawing No: A Rev No:

NHBRC:
SOIL CLASSIFICATION : H2
COMPETENT PERSON : DW TERBLANCHE
NHBRC NR : 3000241492
ECSA : 201630290

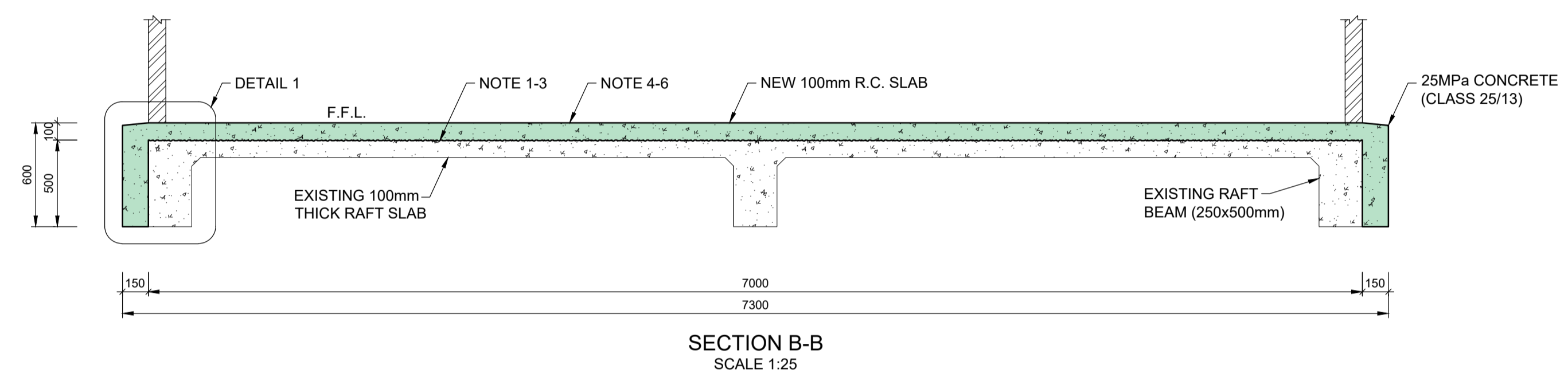
RAFT DESIGN:
COMPETENT PERSON : DW TERBLANCHE
NHBRC NR : 3000241492
ECSA : 201630290



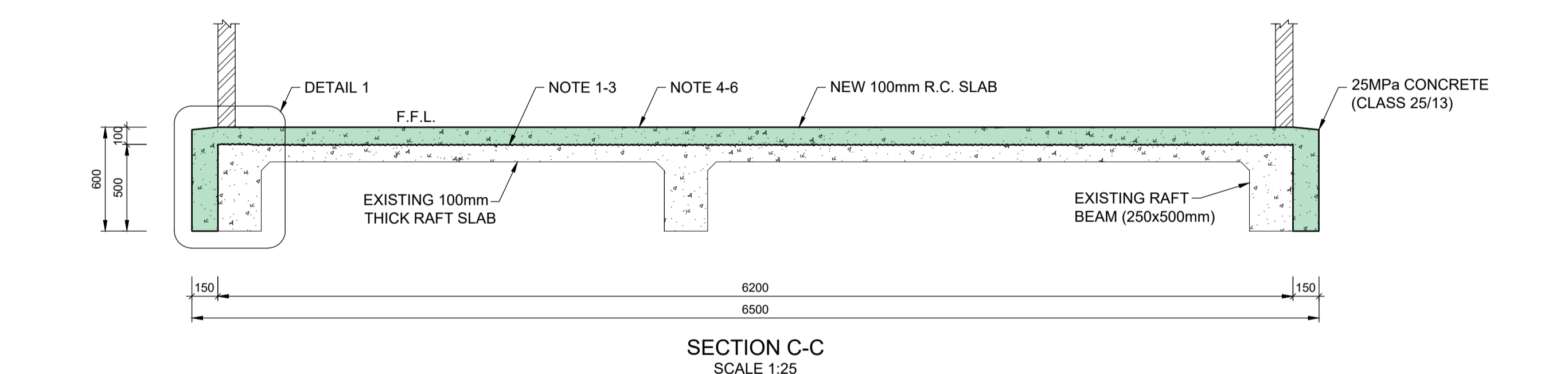
PLAN
SCALE 1:50



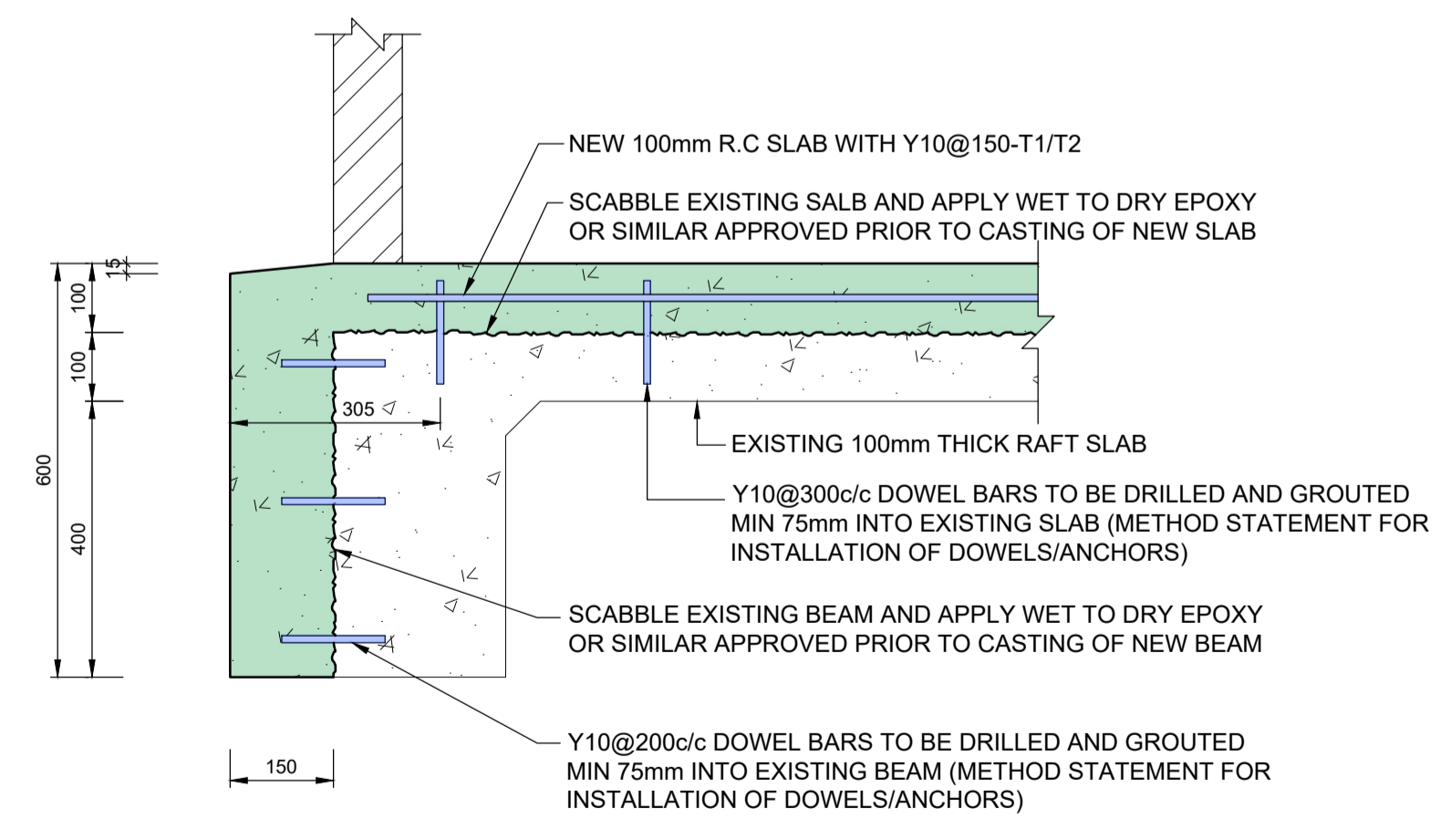
SECTION A-A
SCALE 1:25



SECTION B-B
SCALE 1:25



SECTION C-C
SCALE 1:25



DETAIL 1
SCALE 1:10

- NOTES:**
- SCABBLE SURFACE OF EXISTING SLAB TO EXPOSE AGGREGATES. REMOVE ALL LAITANCE AND DUST PARTICLES.
 - 150mm DOWELED CHEMICAL ANCHORS (Y10 @ 300mm c/c) IN BOTH DIRECTIONS TO BE EPOXYED INTO EXISTING SLAB TO A DEPTH OF 75mm MIN.
 - SIKADUR 32N WET TO DRY EPOXY OR SIMILAR APPROVED TO BE APPLIED ON EXISTING SLAB WHICH MUST BE DRY AND CLEAN OF ALL DUST AND LAITANCE. THIS PRODUCT MUST BE APPLIED ON EXISTING SLAB WITH A BRUSH. NEW SLAB TO BE CAST WHEN SIKADUR 32N LAYER IS STILL TACKY.
 - NEW SLAB TO BE CONTINUOUSLY CURED FOR A PERIOD OF 3 DAYS.
 - CUBE RESULTS TO BE SUBMITTED TO ENGINEER FOR 7 DAYS AND 28 DAYS FOR EVERY BATCH OF CONCRETE CAST.
 - NEW RAFT SLAB AND BEAMS TO HAVE A MINIMUM CHARACTERISTIC COMPRESSIVE STRENGTH OF 25MPa AT 28 DAYS. CONCRETE CLASS 25/13.

- METHOD STATEMENT FOR INSTALLATION OF DOWELS/ANCHORS**
- DRILL HOLES TO A DEPTH OF 75mm INTO EXISTING RAFT SLAB DIAMETER OF HOLE TO BE IN ACCORDANCE WITH DOWEL SIZE.
 - REMOVE ALL DUST PARTICLE AND LAITANCE FROM HOLE BY MEANS OF A BLOW PUMP OR COMPRESSED AIR.
 - DRILLED HOLE TO BE CLEANED USING STEEL BRUSH.
 - INJECT SIKA ANCHOR FIX OR SIMILAR APPROVED PRODUCT STARTING FROM THE BOTTOM OF THE HOLES. CARE MUST BE TAKEN WHEN INJECTING THE PRODUCT TO AVOID AIR ENTRAPMENT.
 - INSERT DOWEL ANCHOR IN A ROTARY MOTION WHICH MAY RESULT IN SOME OF THE PRODUCT BEING EXPELLED FROM THE HOLE.
 - DOWELS/ANCHORS MUST NOT BE MOVED DURING THE CURING PERIOD OF THE INJECTED PRODUCT.
 - INJECTED PRODUCT TO BE USED TO FIX DOWELS/ANCHORS IN ACCORDANCE WITH THE MANUFACTURERS SPECIFICATIONS AND INSTRUCTION.
 - PRODUCT TO BE APPROVED IN PRINCIPLE BY THE DESIGNER PRIOR TO BEING USED ON SITE.

- QUALITY CONTROL TESTS TO BE DONE**
- A. CONCRETE CUBE TESTS:**
- 1 SET OF CUBES (3) REQUIRED FOR EVERY 30m³ (5 TRUCKS) OF CONCRETE PLACED.
 - SAMPLES TO BE TAKEN FROM DIFFERENT BATCHES AND RANDOMLY CHOSEN.
 - AT LEAST ONE SAMPLE SHALL BE TAKEN FROM EACH DAY'S PLACING OF DIFFERENT GRADES OF CONCRETE.
 - TESTS TO BE PERFORMED BY A SANAS APPROVED LABORATORY.
 - ALL CONCRETE TEST CUBES MUST BE SUPPLIED TO THE ENGINEER WITHIN 7 DAYS OF REACHING AGE (7 AND 28 DAYS) FOR APPROVAL.

FOR CONSTRUCTION

0 100
100 MILLIMETRES ON ORIGINAL DRAWING

(A) BEFORE CONTRACT COMMENCES
(A) AFTER CONTRACT HAS COMMENCED

Nr.	DATE	AMENDMENTS
(A)	2021-08-10	DESIGN REVIEW CHANGE TO ACCOMMODATE LOW COMPRESSION STRENGTH

COPYRIGHT IS VESTED IN V3 CONSULTING ENGINEERS IN TERMS OF THE COPYRIGHT ACT (ACT 98 OF 1978)



V3 CONSULTING ENGINEERS

T: +27 (0) 44 691 2305
email: mosselbaa@v3consulting.co.za

4 Mascador Street, Voor Bay, Mossel Bay, 6506
PO Box 730, Mossel Bay, 6500, South Africa

PROJECT
KHAYAMNANDI 479 HOUSING PROJECT, DESPATCH

DRAWING DESCRIPTION
RAFT CONCRETE LAYOUT FOR NEW DWELLING ON ERF 1309

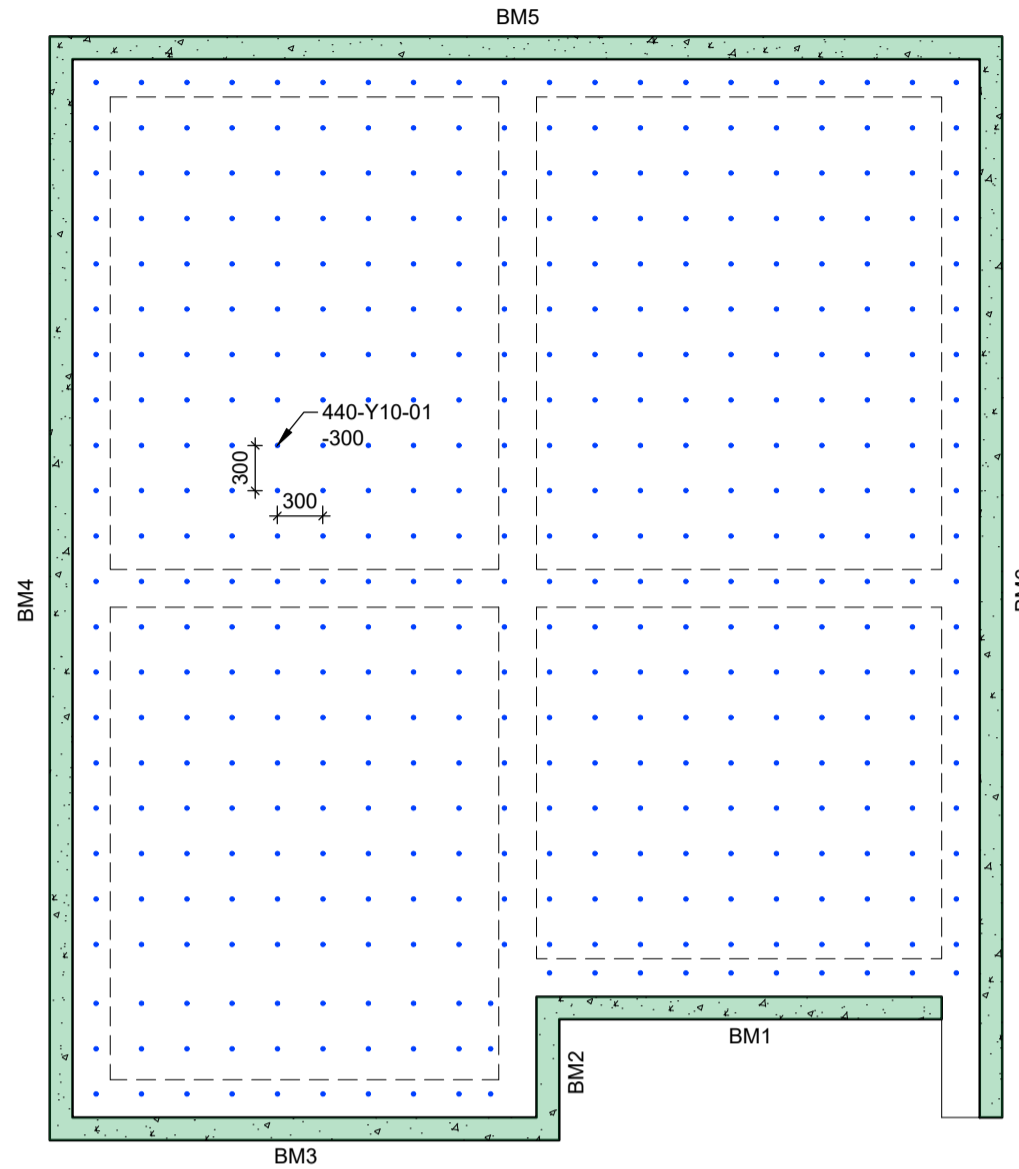
DRAWING NO.
10415000-501

DESIGNED: DT	CHECKED: DT
DRAWN: KS	SCALE: AS SHOWN A1
APPROVED:	DATE: 2021-08-10
FILE PATH: Sharepoint \Port Elizabeth\100415000 - Khayamandi 479 Housing Project, Despatch	

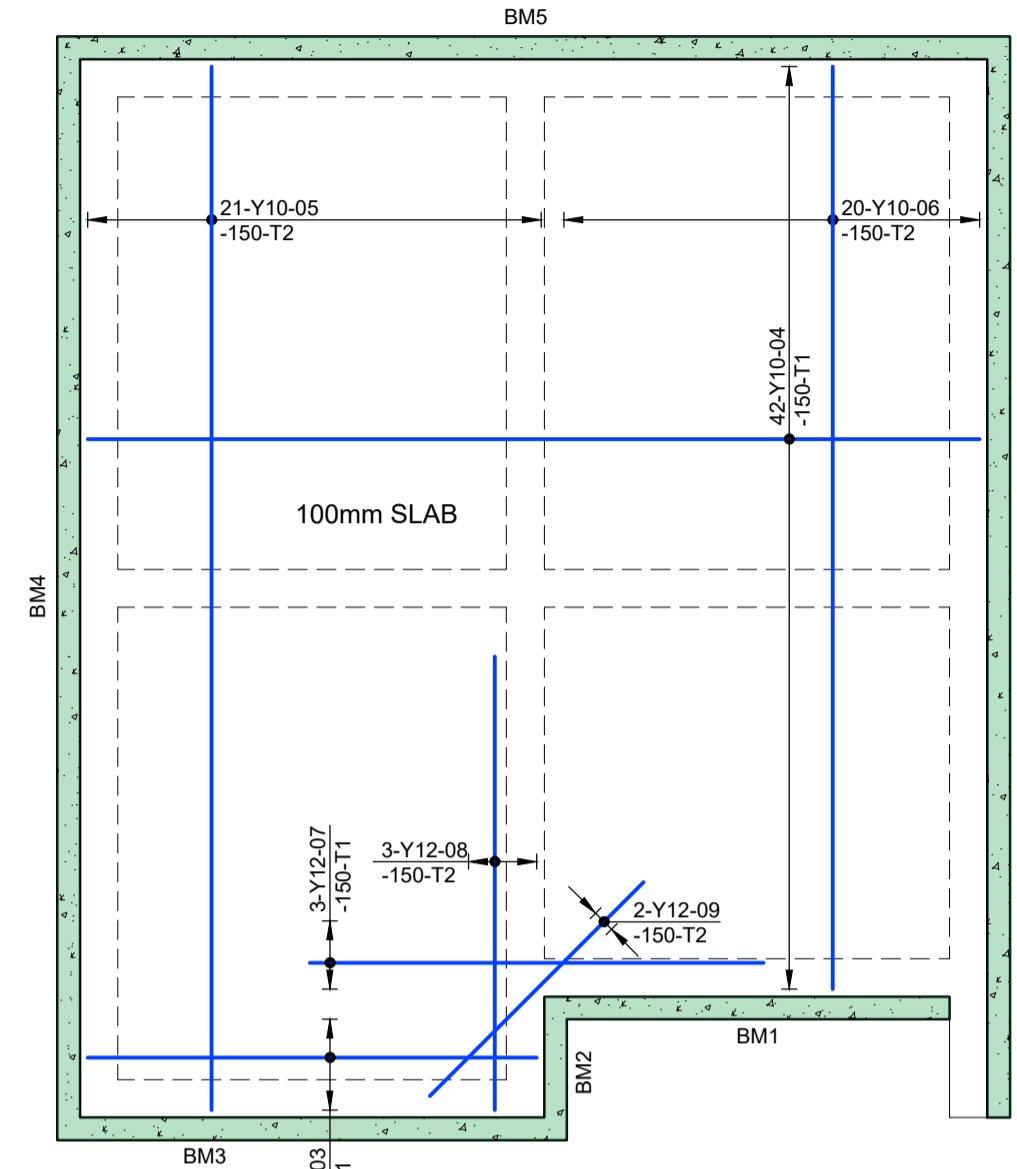
NHBRC:
SOIL CLASSIFICATION : H2
COMPETENT PERSON : DW TERBLANCHE
NHBRC NR : 300241492
ECSA : 201630290

RAFT DESIGN:
COMPETENT PERSON : DW TERBLANCHE
NHBRC NR : 300241492
ECSA : 201630290

- NOTES:**
- SCABBLE SURFACE OF EXISTING SLAB TO EXPOSE AGGREGATES. REMOVE ALL LAITANCE AND DUST PARTICLES.
 - 150mm DOWELED CHEMICAL ANCHORS (Y10 @ 300mm c/c) IN BOTH DIRECTIONS TO BE EPOXIED INTO EXISTING SLAB TO A DEPTH OF 75mm MIN.
 - SIKADUR 32N WET 1 TO DRY EPOXY OR SIMILAR APPROVED TO BE APPLIED ON EXISTING SLAB WHICH MUST BE DRY AND CLEAN OF ALL DUST AND LAITANCE. THIS PRODUCT MUST BE APPLIED ON EXISTING SLAB WITH A BRUSH. NEW SLAB TO BE CAST WHEN SIKADUR 32N LAYER IS STILL TACKY.
 - NEW SLAB TO BE CONTINUOUSLY CURED FOR A PERIOD OF 3 DAYS.
 - CUBE RESULTS TO BE SUBMITTED TO ENGINEER FOR 7 DAYS AND 28 DAYS FOR EVERY BATCH OF CONCRETE CAST.
 - NEW RAFT SLAB AND BEAMS TO HAVE A MINIMUM CHARACTERISTIC COMPRESSIVE STRENGTH OF 25MPa AT 28 DAYS. CONCRETE CLASS 25/13.
- METHOD STATEMENT FOR INSTALLATION OF DOWELS/ANCHORS**
- DRILL HOLES TO A DEPTH OF 75mm INTO EXISTING RAFT SLAB. DIAMETER OF HOLE TO BE IN ACCORDANCE WITH DOWEL SIZE.
 - REMOVE ALL DUST PARTICLE AND LAITANCE FROM HOLE BY MEANS OF A BLOW PUMP OR COMPRESSED AIR.
 - DRILLED HOLE TO BE CLEANED USING STEEL BRUSH.
 - INJECT SIKA ANCHOR FIX OR SIMILAR APPROVED PRODUCT STARTING FROM THE BOTTOM OF THE HOLES. CARE MUST BE TAKEN WHEN INJECTING THE PRODUCT TO AVOID AIR ENTRAPMENT.
 - INSERT DOWEL ANCHOR IN A ROTARY MOTION WHICH MAY RESULT IN SOME OF THE PRODUCT BEING EXPELLED FROM THE HOLE.
 - DOWEL/ANCHORS MUST NOT BE MOVED DURING THE CURING PERIOD OF THE INJECTED PRODUCT.
 - INJECTED PRODUCT TO BE USED TO FIX DOWELS/ANCHORS IN ACCORDANCE WITH THE MANUFACTURERS SPECIFICATIONS AND INSTRUCTION.
 - PRODUCT TO BE APPROVED IN PRINCIPLE BY THE DESIGNER PRIOR TO BEING USED ON SITE.
- QUALITY CONTROL TESTS TO BE DONE**
- A. CONCRETE CUBE TESTS:**
- 1 SET OF CUBES (3) REQUIRED FOR EVERY 30m³ (5 TRUCKS) OF CONCRETE PLACED.
 - SAMPLES TO BE TAKEN FROM DIFFERENT BATCHES AND RANDOMLY CHOSEN.
 - AT LEAST ONE SAMPLE SHALL BE TAKEN FROM EACH DAY'S PLACING OF DIFFERENT GRADES OF CONCRETE.
 - TESTS TO BE PERFORMED BY A SANAS APPROVED LABORATORY.
 - ALL CONCRETE TEST CUBES MUST BE SUPPLIED TO THE ENGINEER WITHIN 7 DAYS OF REACHING AGE (7 AND 28 DAYS) FOR APPROVAL.



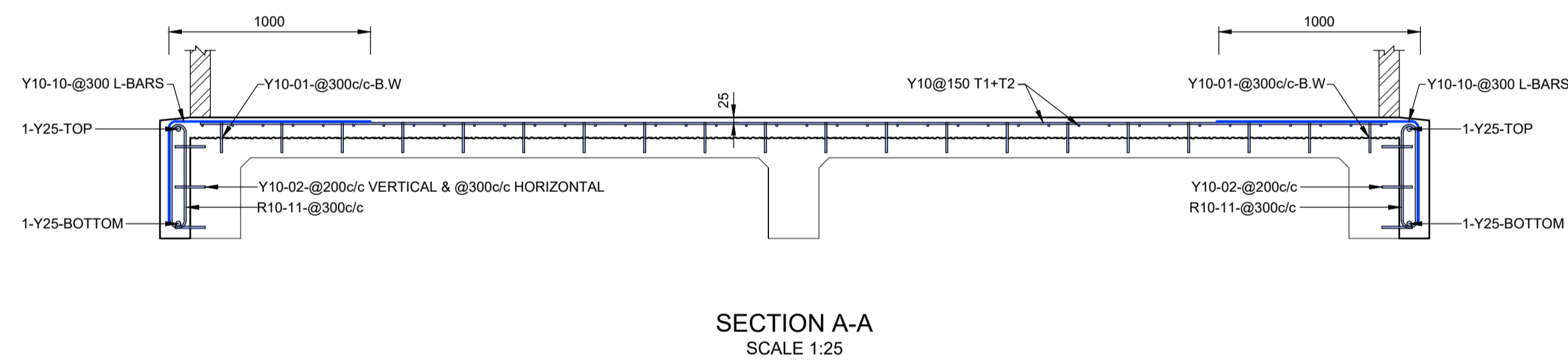
PLAN - BEAM & DOWEL BAR LAYOUT
SCALE 1:50



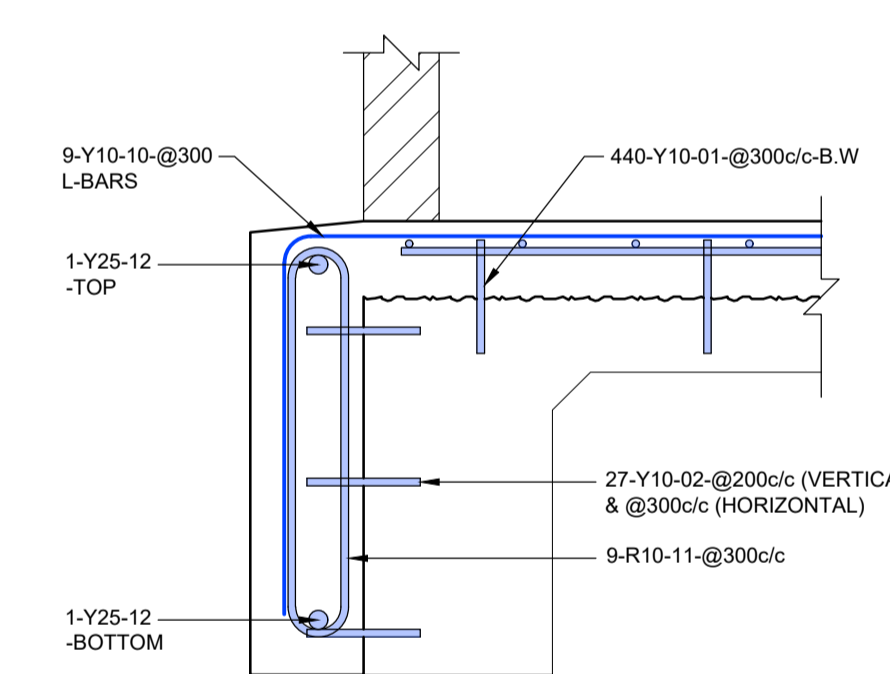
PLAN - SLAB REINFORCING LAYOUT
SCALE 1:50

MEMBER No. & SIZE	WAPENING / REINFORCEMENT					STANDAARD-BUIGINGS / STANDARD BENDINGS					GEMW. MASS
	MEERK MARK	TYPE	No. PER UNIT	TOTAAL LENGTE	LENGTE CODE	A	B	C	D	E	
SLAB REINFORCING:											
01	Y10	440	36520	150	20	150					3379.90
02	Y10	264	21912	150	20	150					2027.96
03	Y10	5	415	2950	20	2950					755.36
04	Y10	42	3486	5900	20	5900					12890.10
05	Y10	21	1743	8900	20	8900					7420.47
06	Y10	20	1660	8100	20	8100					6247.74
07	Y12	3	249	3000	20	3000					460.89
08	Y12	3	249	3000	20	3000					460.89
09	Y12	2	166	2000	20	2000					204.85
BEAM REINFORCING:											
BM1 - 150x600mm											
12	Y25	2	166	3350	37	800					2140.10
10	Y10	9	747	1500	37	500					891.35
11	R10	9	747	1250	81	500	70				576.12
BM2 - 150x600mm											
13	Y25	2	166	2050	37	1250					1310.55
10	Y10	3	249	1500	37	500					230.45
11	R10	3	249	1250	81	500	70				192.04
BM3 - 150x600mm											
14	Y25	2	166	4470	37	1250					2856.77
10	Y10	10	830	1500	37	500					768.16
11	R10	10	830	1250	81	500	70				640.13
BM4 - 150x600mm											
15	Y25	2	166	8400	37	1250					5398.44
10	Y10	23	1909	1500	37	500					1766.77
11	R10	23	1909	1250	81	500	70				1472.31
BM5 - 150x600mm											
16	Y25	2	166	7400	37	1250					4729.34
10	Y10	20	1660	1500	37	500					1536.33
11	R10	20	1660	1250	81	500	70				1280.27
BM6 - 150x600mm											
17	Y25	2	166	7000	20	7000					4473.70
10	Y10	21	1743	1500	37	500					1613.14
11	R10	24	1992	1250	81	500	70				1536.33
											66830.46

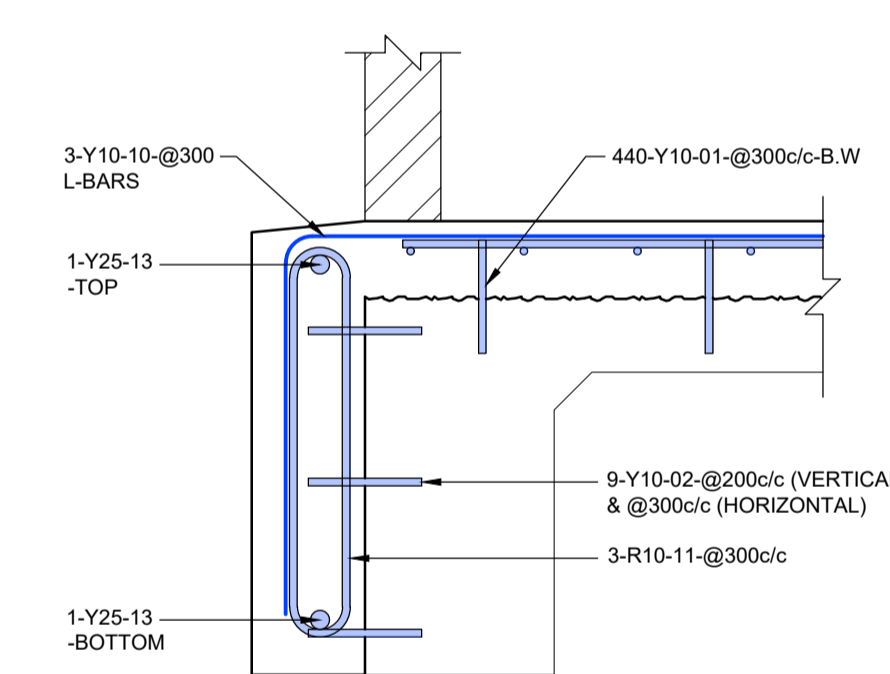
REINFORCING SCHEDULE



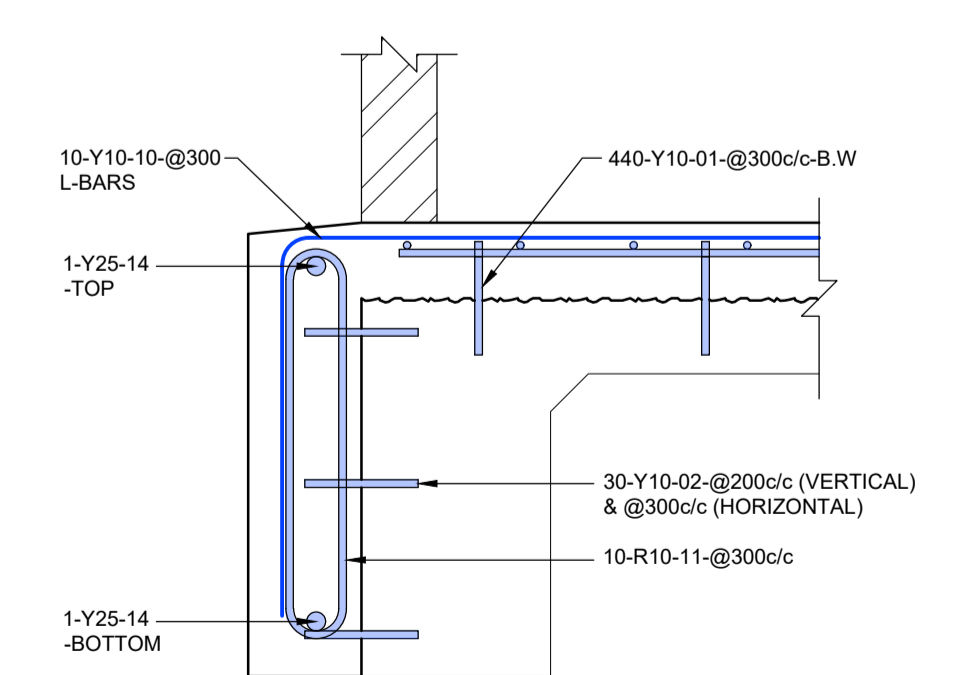
SECTION A-A
SCALE 1:25



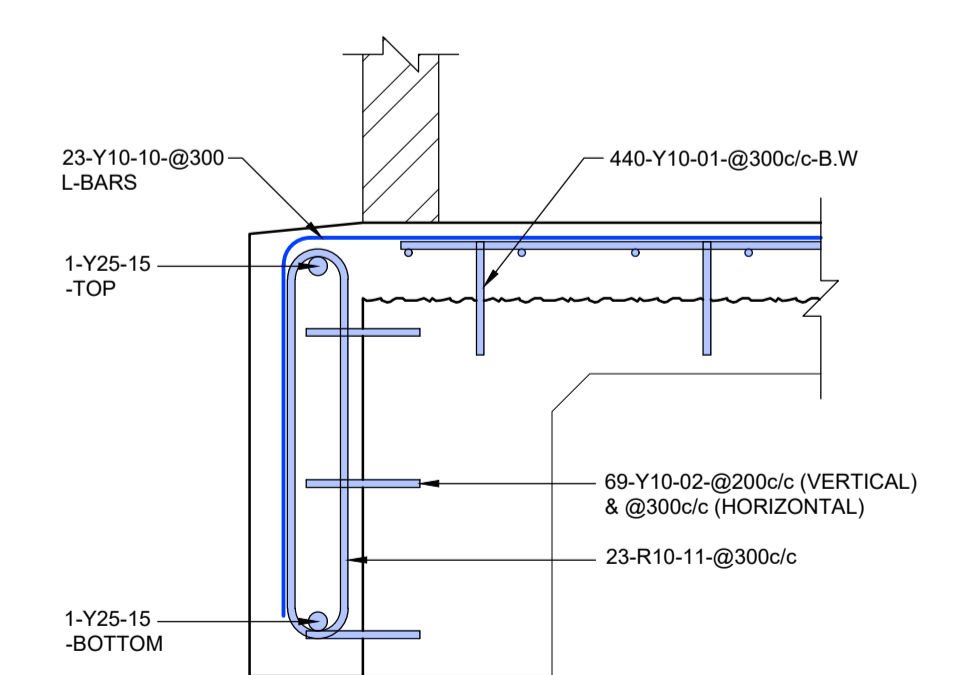
BM1
SCALE 1:10



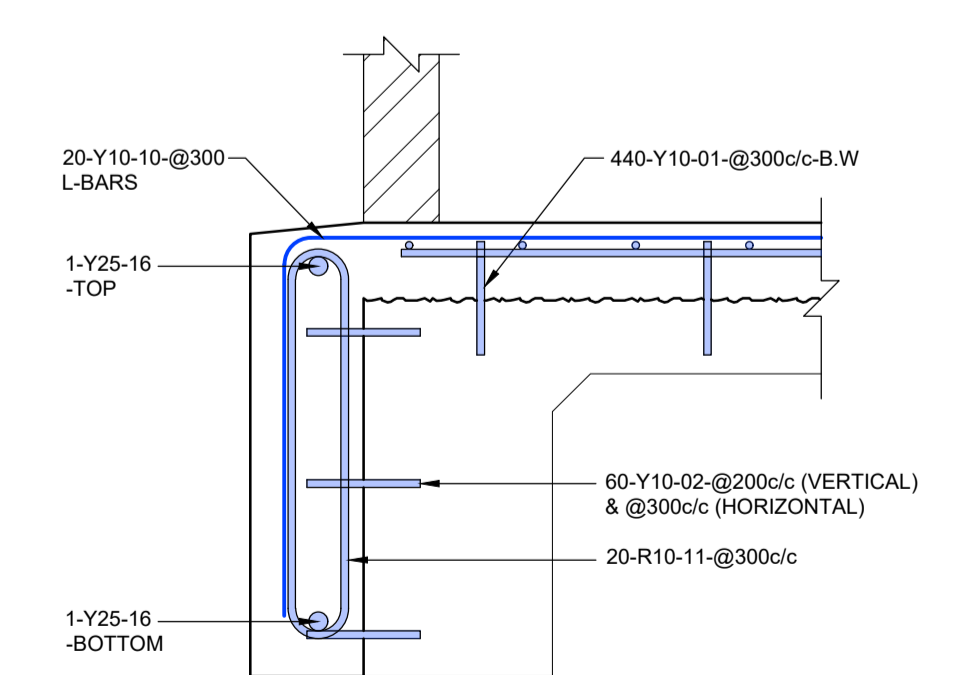
BM2
SCALE 1:10



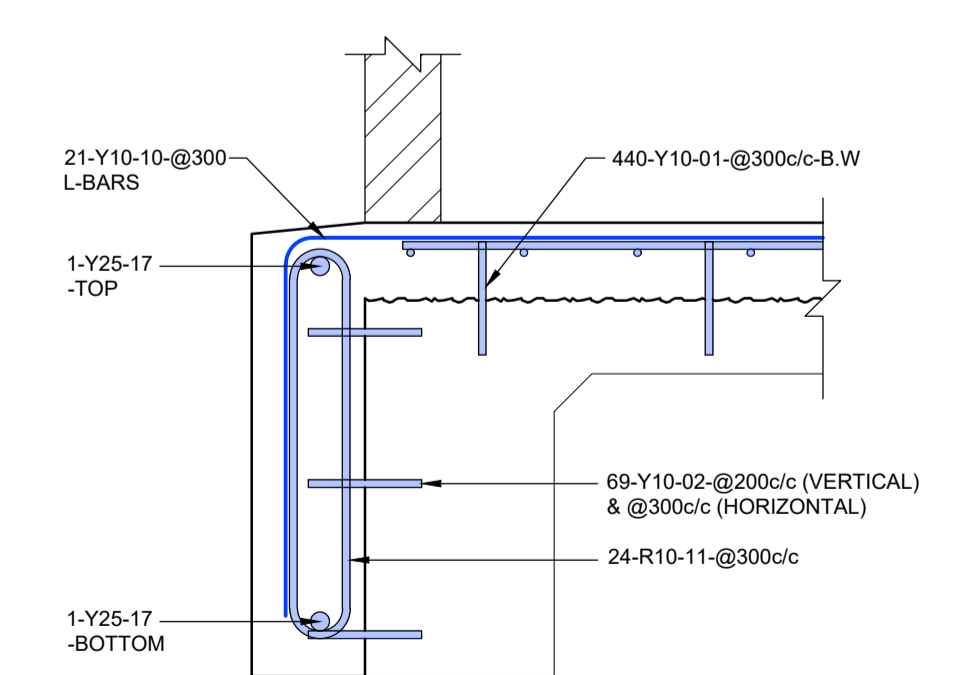
BM3
SCALE 1:10



BM4
SCALE 1:10



BM5
SCALE 1:10



BM6
SCALE 1:10

FOR CONSTRUCTION

100 MILLIMETRES ON ORIGINAL DRAWING		
(A)	BEFORE CONTRACT COMMENCES	
(A)	AFTER CONTRACT HAS COMMENCED	
Nr.	DATE	AMENDMENTS
(A)	2021-08-10	DESIGN REVIEW CHANGE TO ACCOMMODATE LOW COMPRESSION STRENGTH



V3 CONSULTING ENGINEERS

T: +27 (0) 44 691 2305
 email: mosselbaa@v3consulting.co.za

4 Mascador Street, Voor Bay, Mossel Bay, 6506
 PO Box 730, Mossel Bay, 6500, South Africa

CESA

PROJECT
 KHAYAMNANDI 479 HOUSING PROJECT,
 DESPATCH

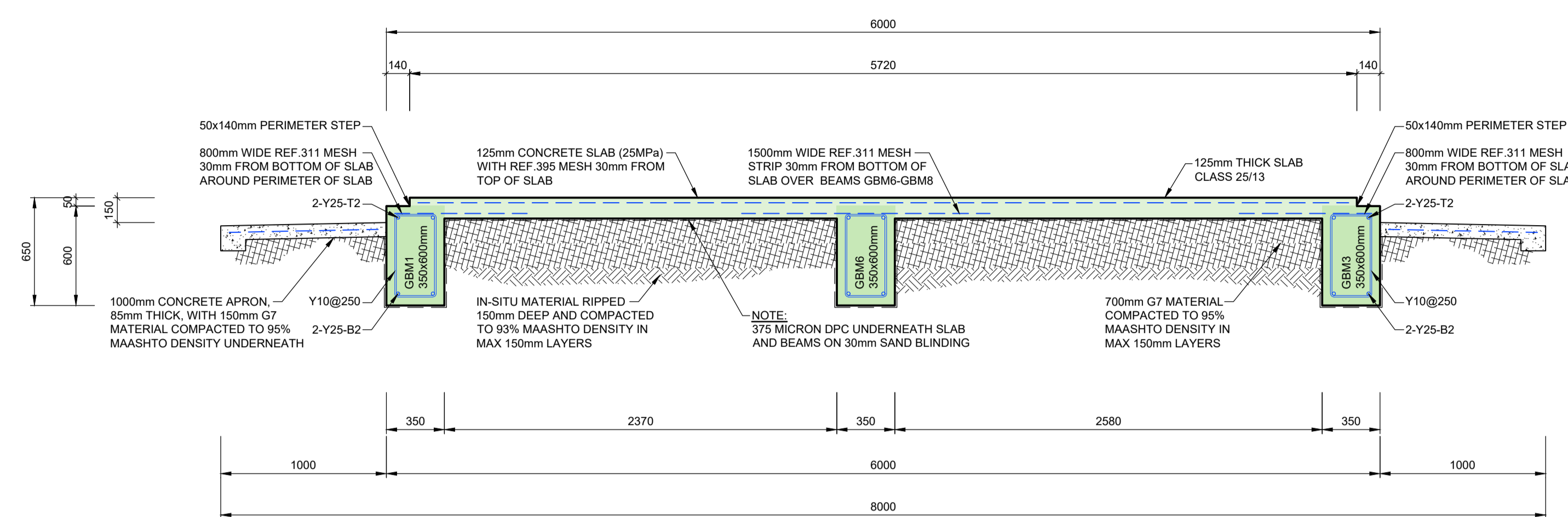
DRAWING DESCRIPTION
 RAFT REINFORCEMENT LAYOUT FOR
 NEW DWELLING ON ERF 1309

DRAWING NO.
 10415000-502

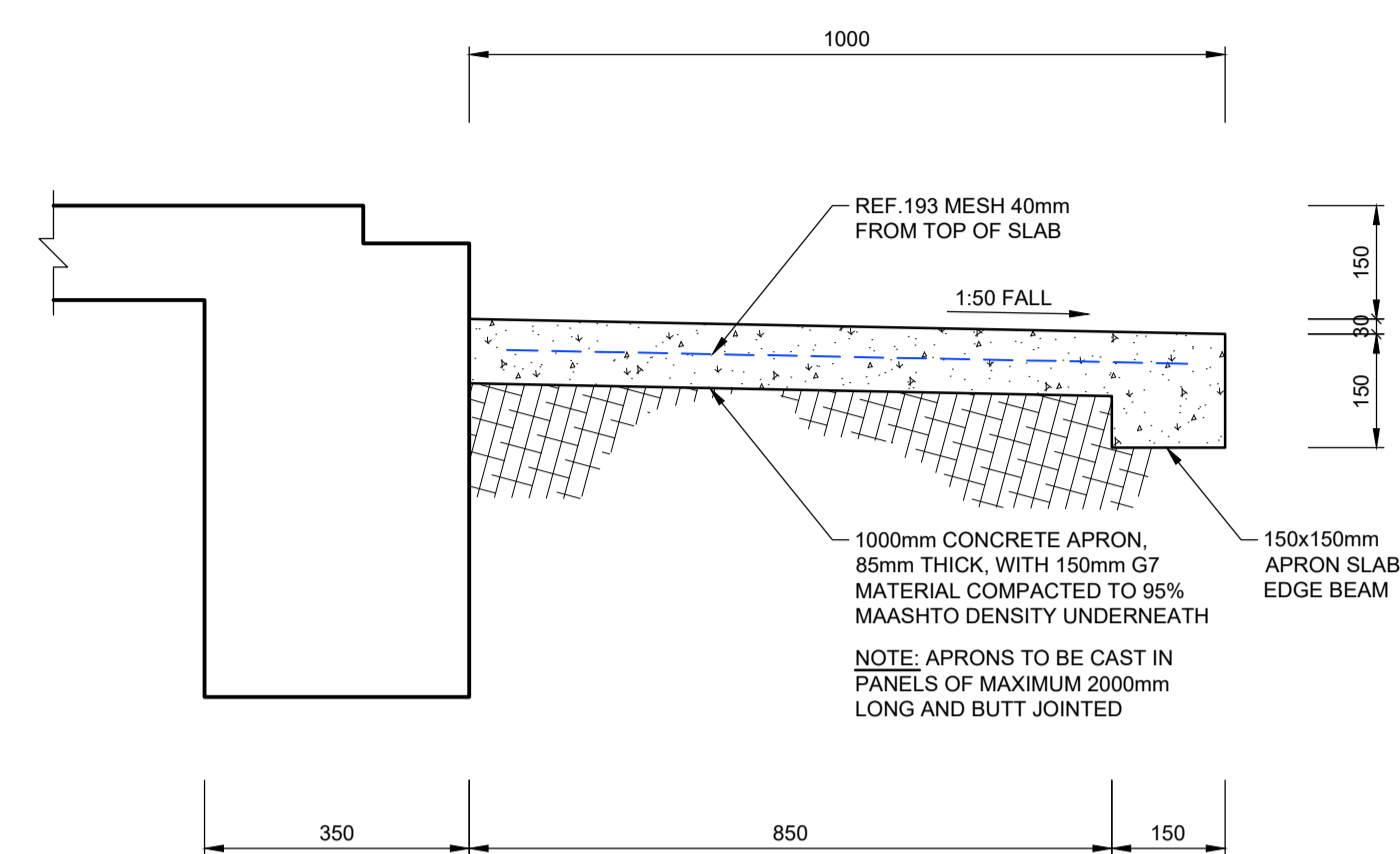
DESIGNED: DT	CHECKED: DT
DRAWN: KS	SCALE: AS SHOWN A1
APPROVED:	DATE: 2021-08-10
FILE PATH: Sharepoint \Port Elizabeth\100415000 - Khayamandi 479 Housing Project, Despatch	

NHBCR:
SOIL CLASSIFICATION : H2
COMPETENT PERSON : DW TERBLANCHE
NHBCR NR : 3000241492
ECSA : 201630290

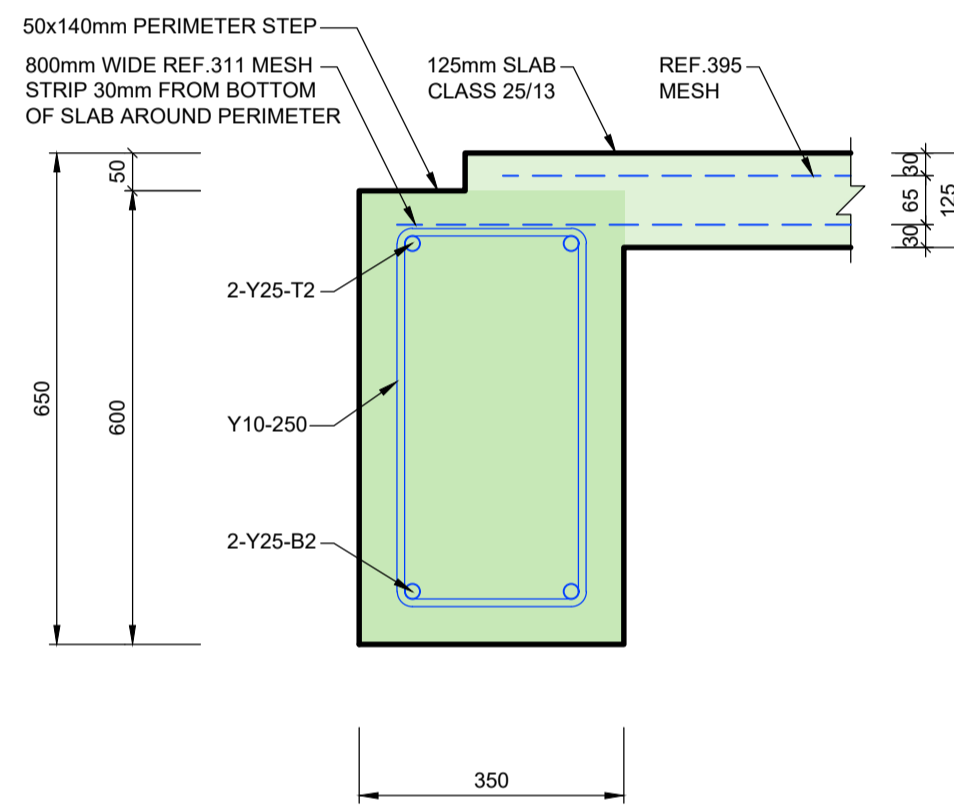
RAFT DESIGN:
COMPETENT PERSON : DW TERBLANCHE
NHBCR NR : 3000241492
ECSA : 201630290



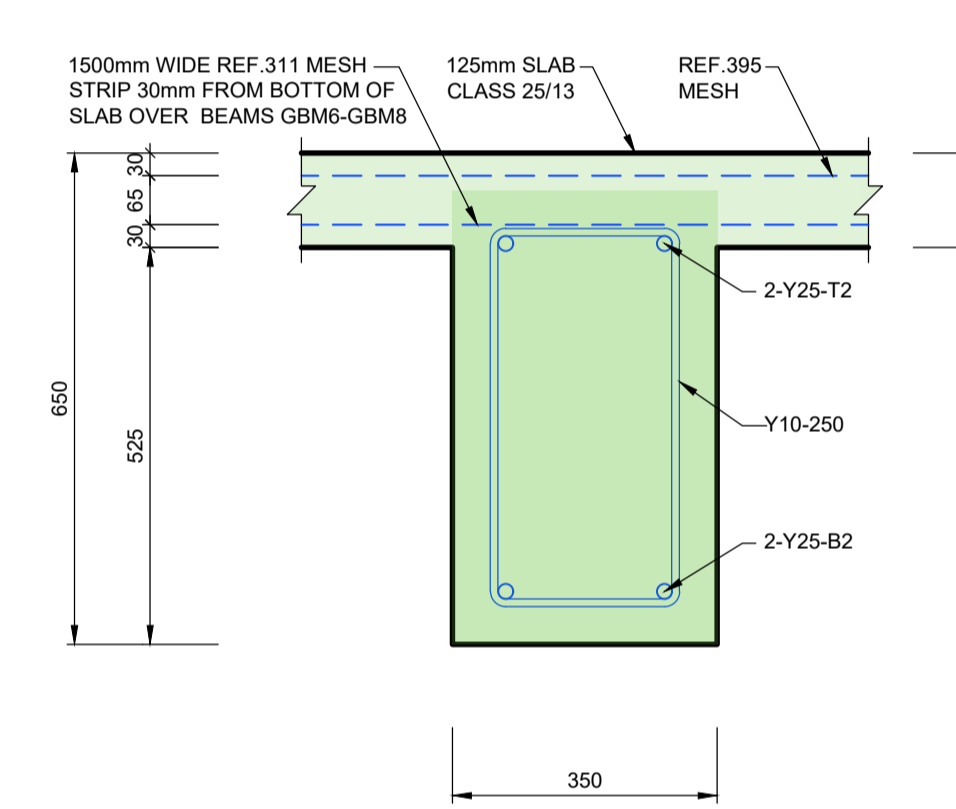
SECTION A-A
RAFT FOUNDATION
SCALE 1:25



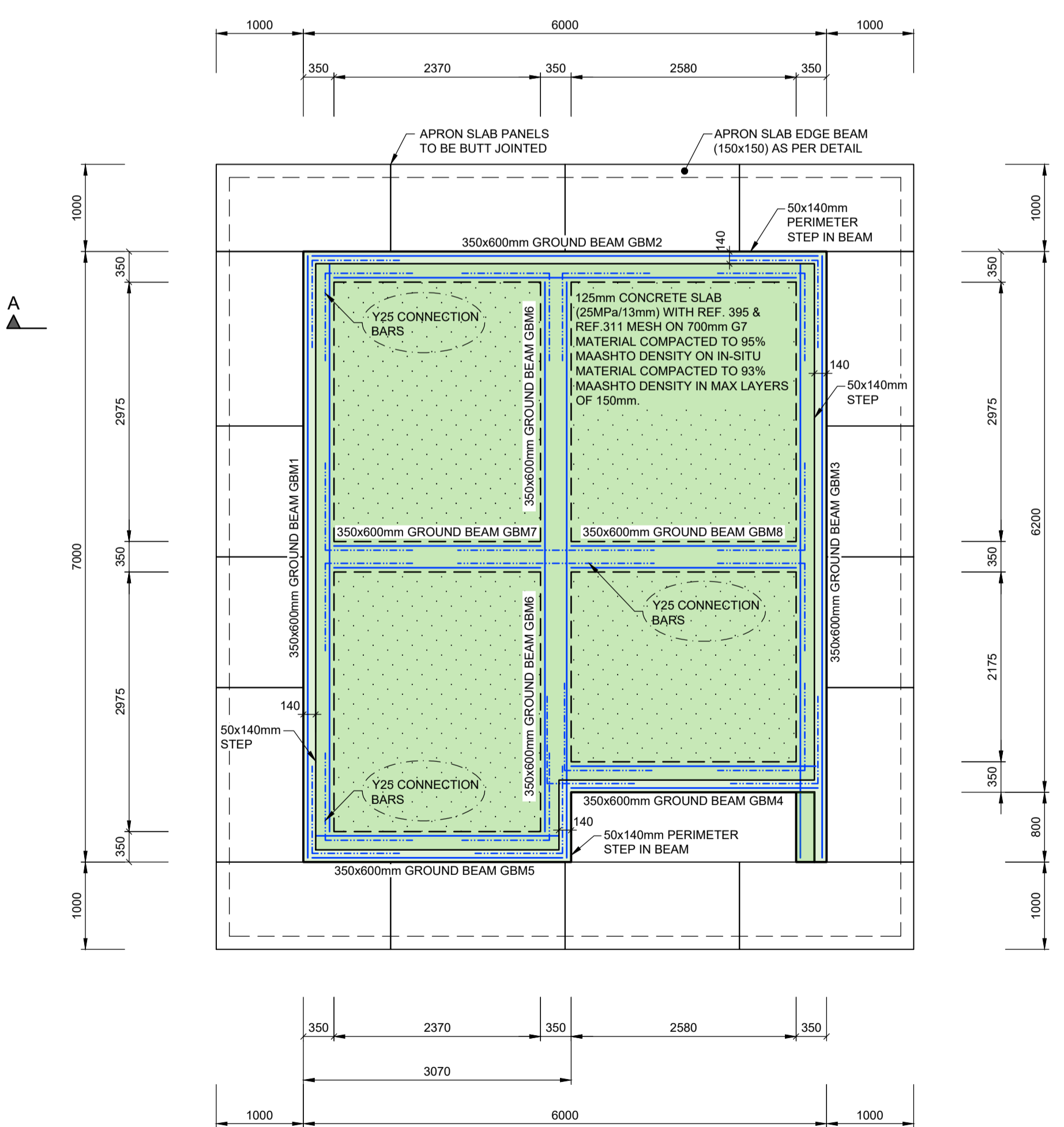
SECTION :
CONCRETE APRON
SCALE 1:10



DETAIL: 350x600mm
GROUND BEAMS GBM1-GBM5
SCALE 1:10



DETAIL: 350x600mm
GROUND BEAMS GBM6-GBM8
SCALE 1:10



RC RAFT SLAB FOUNDATION LAYOUT
SCALE 1:25

MEMBER & SIZE	MEMBER No. OFF	WAPENING / REINFORCEMENT				STANDAARD-BUIGINGS / STANDARD BENDINGS										
		MERK TYPE	No. PER UNIT	TOTAAL LENGTE	CODE	A	B	C	D	E	GEWIG MASS					
RAFT SLAB & BEAMS	GROUND BEAM REINFORCING															
	GROUND BEAM GBM1 (350x600mm)															
	01	Y25	4	132	6900	20	6900								3 506.58	2 BOTTOM / 2 TOP LINKS @ 250 c/c
	02	Y10	26	858	1600	60	500	250							847.02	
	GROUND BEAM GBM2 (350x600mm)															
	03	Y25	4	132	5900	20	5900								2 998.38	2 BOTTOM / 2 TOP LINKS @ 250 c/c
	02	Y10	22	726	1600	60	500	250							716.71	
	GROUND BEAM GBM3 (350x600mm)															
	04	Y25	4	132	6900	20	6900								3 506.58	2 BOTTOM / 2 TOP LINKS @ 250 c/c
	02	Y10	26	858	1600	60	500	250							847.02	
	GROUND BEAM GBM4 (350x600mm)															
05	Y25	4	132	3150	20	3150								1 600.83	2 BOTTOM / 2 TOP LINKS @ 250 c/c	
02	Y10	11	363	1600	60	500	250							358.35		
GROUND BEAM GBM5 (350x600mm)																
06	Y25	4	132	2950	20	2950								1 499.19	2 BOTTOM / 2 TOP LINKS @ 250 c/c	
02	Y10	10	330	1600	60	500	250							325.78		
GROUND BEAM GBM6 (350x600mm)																
07	Y25	4	132	6900	20	6900								3 506.58	2 BOTTOM / 2 TOP LINKS @ 250 c/c	
02	Y10	26	858	1600	60	500	250							847.02		
GROUND BEAM GBM7 (350x600mm)																
08	Y25	4	132	2700	20	2700								1 372.14	2 BOTTOM / 2 TOP LINKS @ 250 c/c	
02	Y10	10	330	1600	60	500	250							325.78		
GROUND BEAM GBM8 (350x600mm)																
09	Y25	4	132	2900	20	2900								1 473.78	2 BOTTOM / 2 TOP LINKS @ 250 c/c	
02	Y10	11	363	1600	60	500	250							358.35		
GROUND BEAM CONNECTION BARS																
10	Y25	36	1188	2500	37	1250								11434.50	CORNER BAR	
11	Y25	4	132	2750	20	2750								1 397.55	CONNECTION BAR	
														36 922.14	TOTAL	
RAFT SLAB REINFORCING																
12	REF. 395	48m²		1584m²										6 259.00	MESH	
13	REF. 311	35m²		1155m²										3 593.33	MESH	
CONCRETE APRON REINFORCING																
14	REF. 193	39m²		1287m²										2 484.63	MESH	
														12 336.96	TOTAL	

REINFORCING SCHEDULE

- NOTES:**
- SITE STORM WATER:**
- NO FLOODING OF WATER IS PERMITTED WITHIN 1.5m OF THE BUILDING CONCRETE APRON.
 - TRIM AND SHAPE FOUNDATION EARTHWORKS TO ACCOMMODATE SITE DRAINAGE.
- GENERAL:**
- ALL MATERIALS AND WORKMANSHIP ARE TO BE IN ACCORDANCE OF THE STANDARD SPECIFICATIONS, SABS 1200, AND THE STANDARDS REFERRED TO THEREIN.
 - CONCRETE STRENGTH:
RAFT SLAB & BEAMS = 25MPa/13mm AT 28 DAYS
CONCRETE APRON = 25MPa/13mm AT 28 DAYS
PROPER CONCRETE SPACERS TO BE USED.
 - NO CONCRETE SHALL BE CAST WITHOUT THE APPROVAL OF THE ENGINEER. (EXCAVATIONS & REINFORCING.)
- RAFT FOUNDATION:**
- REMOVE TOPSOIL CONTAINING ROOTS AND ORGANIC MATERIAL UP TO 75mm DEEP. TO BE CONFIRMED BY ENGINEER ON SITE. REMOVE 700mm OF EXISTING IN-SITU MATERIAL. THEN RIP AND RE-COMPACT IN-SITU MATERIAL TO A DEPTH OF 150mm TO 93% MAASHTO DENSITY.
 - IMPORT APPROVED G7 FILL MATERIAL AND COMPACT TO 95% MAASHTO DENSITY. COMPACTION RESULTS TO BE SUPPLIED TO THE ENGINEER PRIOR TO EXCAVATION OF GROUND BEAMS. ONCE APPROVED, EXCAVATION OF THE GROUND BEAMS CAN COMMENCE.
 - THE SIDES AND BOTTOMS OF RAFT BEAMS AND THE ENTIRE AREA UNDER THE RAFT SLAB MUST BE LINED WITH 375 MICRON DPC. ALL JOINTS TO BE OVERLAPPED A MINIMUM OF 150mm AND TAPED TOGETHER.
 - THE TOP 250mm OF THE RAFT SLAB OR ANY VISIBLE HORIZONTAL/VERTICAL SURFACE MUST HAVE A SMOOTH OFF-SHUTTER (STEEL) FINISH.
 - REINFORCING IN BEAMS SHALL BE PLACED CENTRALLY AND WITH 50mm COVER TOP, BOTTOM, AND SIDES.
 - MESH TO BE PLACED 30mm FROM TOP OF SLAB.
 - MINIMUM LAP LENGTH OF MESH = 400mm.
 - MINIMUM LAP LENGTH OF REINFORCING STEEL = 50xØ
 - CONCRETE APRONS SHALL BE 1000mm WIDE x 85mm THICK (25MPa/13mm) WITH A 150mm THICKENED TOE AND SLOPED A MINIMUM OF 30mm AWAY FROM THE RAFT FOUNDATIONS.
 - APRONS TO BE CAST IN PANELS OF MAXIMUM 2000mm LONG AND BUTT JOINTED. MESH REF. 193 REINFORCING WITH 40mm COVER FROM TOP OF APRON SLAB.
- QUALITY CONTROL TESTS TO BE DONE**
- A. CONCRETE CUBE TESTS:**
- 1 SET OF CUBES (3) REQUIRED FOR EVERY 30m³ (5 TRUCKS) OF CONCRETE PLACED.
 - SAMPLES TO BE TAKEN FROM DIFFERENT BATCHES AND RANDOMLY CHOSEN.
 - AT LEAST ONE SAMPLE SHALL BE TAKEN FROM EACH DAY'S PLACING OF DIFFERENT GRADES OF CONCRETE.
 - TESTS TO BE PERFORMED BY A SANAS APPROVED LABORATORY.
 - ALL CONCRETE TEST CUBES MUST BE SUPPLIED TO THE ENGINEER WITHIN 7 DAYS OF REACHING AGE (7 AND 28 DAYS) FOR APPROVAL.

FOR CONSTRUCTION

0 100
100 MILLIMETRES ON ORIGINAL DRAWING

(A) BEFORE CONTRACT COMMENCES
(B) AFTER CONTRACT HAS COMMENCED

Nr.	DATE	AMENDMENTS
1	20/08/2021	AMENDMENTS TO BENDING SCHEDULE

COPYRIGHT IS VESTED IN V3 CONSULTING ENGINEERS IN TERMS OF THE COPYRIGHT ACT, (ACT 98 OF 1978)



V3 CONSULTING ENGINEERS

T: +27 (0) 44 691 2305
email: mosselbaa@v3consulting.co.za

4 Mascador Street, Voor Bay, Mossel Bay, 6500
PO Box 730, Mossel Bay, 6500, South Africa

CESA

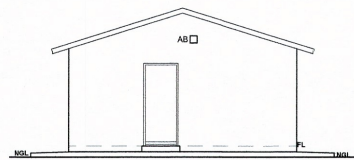
PROJECT
KHAYAMNANDI 479 HOUSING PROJECT,
DESPATCH

DRAWING DESCRIPTION
RAFT REINFORCEMENT LAYOUT FOR
NEW DWELLING ON ERF 1309

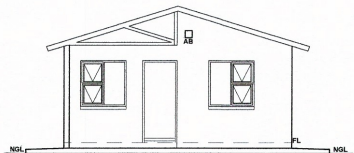
DRAWING NO.
10415000-503

A

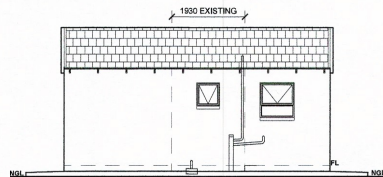
DESIGNED: DT	CHECKED: DT
DRAWN: KS	SCALE: AS SHOWN A1
APPROVED:	DATE: 2021-08-18
FILE PATH: Sharepoint \Port Elizabeth 1 100415000 - Khayamandi 479 Housing Project, Despatch	



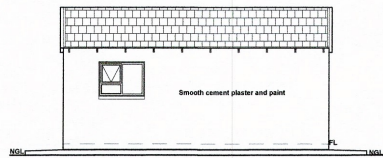
REAR ELEVATION
SCALE 1:100



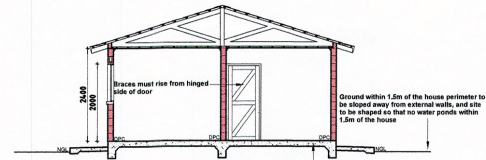
FRONT ELEVATION
SCALE 1:100



SIDE ELEVATION
SCALE 1:100



SIDE ELEVATION
SCALE 1:100



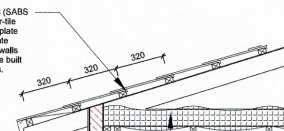
SECTION A-A
SCALE 1:100

80x200 moulded f.c. bargeboard in NOT LESS THAN 1m LENGTHS fixed at max 640mm ccs to 50x76 SAP trimmer screwed through predrilled 38x38mm bracing. Predrill F.C barge and fix with 19mm Ø washered brass screw. Use PVC apex and H profile barge joiners code Nutec 685-231

50x76 SAP trimmer painted on all surfaces prior to fixing

BARGE DETAIL
SCALE 1:10

Concrete roof tiles fixed to 38x38mm battens (SABS 653) fixed at 320mm ccs maximum, on under-tilt membrane, to prefabricated engineered wall-plate trusses at 1900 max ccs on 38x38mm wall plate bedded on mortar, tied down with trusses to walls with double strands of 4mmØ galvanised wire built minimum 400mm (2 block courses) into walls.



Standard U-block lintel having 2x10 galv. ms bars and core filled with in-fill concrete

35MPa concrete cills smooth on all visible surfaces in block lengths with blocks cut below to suit courses

Smooth cement plaster and paint

Galvanised brickwork every 3rd course

1000mm wide 75mm thick concrete apron cast to fall away from wall, cast in panels max 4.5m long

Smooth cement plaster and paint

Existing concrete floor finished in-situ

DPC

FFL

RC raft foundation plinth off-shutter finish

Concrete apron

Neat v-joint in cem plaster over junction

Vertical Y10 rebar in block cavity, filled with 10 MPa concrete

Lift existing hoop-iron straps to horizontal position, bend end 50mm up or down to provide anchor in new blockwork cavity filled with 10MPa concrete

RC raft foundation plinth off-shutter finish

Concrete apron

Hardwood door frame anchored into blockwork and core filled with 10MPa concrete

Neat v-joint in cem plaster over junction

Vertical Y10 rebar in block cavity, filled with 10 MPa concrete

Lift existing hoop-iron straps to horizontal position, bend end 50mm up or down to provide anchor in new blockwork cavity filled with 10MPa concrete

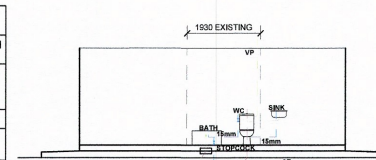
RC raft foundation plinth off-shutter finish

Concrete apron

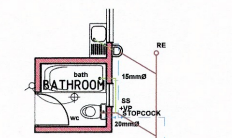
DETAIL: EXTERNAL DOOR JAMB
SCALE 1:10

ELECTRICAL LEGEND

1	Semi-recessed PVC, meter-board
4	15amp plug-socket outlet, 450mm above floor level except Kitchen 1200mm above FL
5	Ceiling light point
2	Weather-proof bulkhead fitting 2200mm above FL
3	Switch, 1400mm above FL
2	Double-pole switch

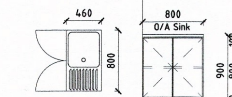


DIAGRAMMATIC DRAINAGE ELEVATION
SCALE 1:100

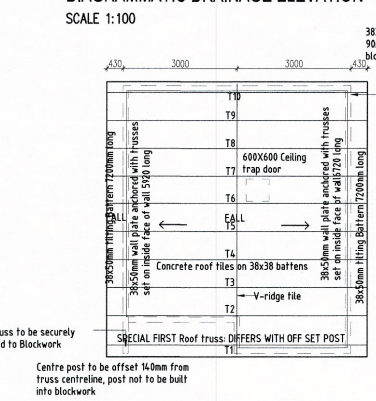


ALTERNATIVE BATHROOM
SCALE 1:100

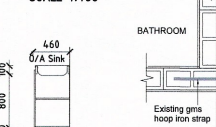
KITCHEN CUPBOARD SPECIFICATION:
GENERAL:
All dimensions to be checked and verified on site before commencing the manufacture of joinery fittings. Fix joiner fitting to masonry and/or concrete with suitable plugs and screws or expanding bolts. Provide all necessary blocking pieces and sub-frames.
Cupboard unit to suit 800x460mm single bowl drop on stainless steel sink. CARCASS, SHELVING & DOORS:
18mm thick high density class 3 particle board (SABS 1300) with 0.55mm thick high pressure light duty quality decorative laminate (SABS 1405) in standard colour and finish. All exposed edges to have matching 0.55mm thick laminate. 4mm thick hardboard back to cupboard, oil painted. Doors to each fitted with 1 pair quality self-closing metal hinges and 1 nylon handle. Shelf to be height adjustable



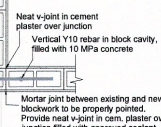
KITCHEN DETAILS
SCALE 1:50



ROOF PLAN
SCALE 1:100



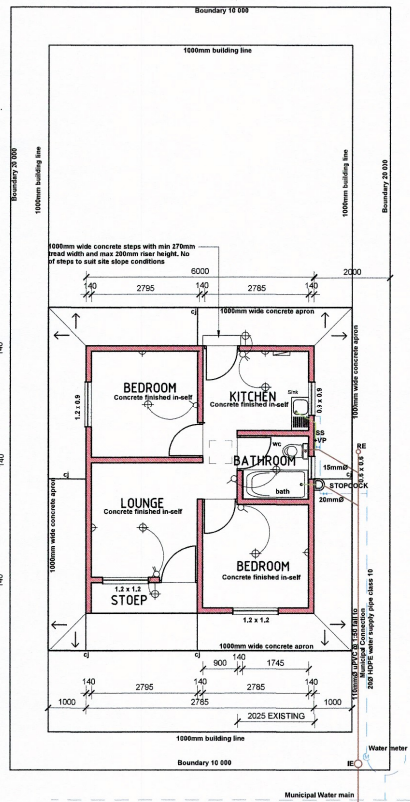
PLAN
SCALE 1:25
JUNCTION BETWEEN EXISTING AND NEW BLOCK WALLS



ELEVATION
SCALE 1:25
JUNCTION BETWEEN EXISTING AND NEW BLOCK WALLS



DETAIL: EXTERNAL DOOR JAMB
SCALE 1:10



FLOOR PLAN
SCALE 1:100

NB: Site boundaries and angles can vary according to allocated site form as illustrated on locality plan (as prepared by NMBM)

NOTES

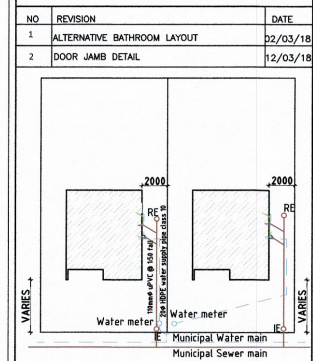
COPYRIGHT AND RIGHT OF REPRODUCTION OF THIS DRAWING IS RESERVED BY THE ARCHITECT.

FLOOR AREA SCHEDULE:
AREA OF SITE = 200 sqm
PROPOSED DWELLING = 39.7 sqm
FLOOR AREA = 39.7 sqm
PERCENT OF SITE = 19.85%

SANS COMPLIANCE CODES:
WATER PIPES - ALL WATER PIPES TO COMPLY WITH SANS 10253-1 AND SANS 10254
ROOF TILES - TO BE SABS APPROVED PLASTIC UNDERLAY TO JOINTS WITH SABS 1163-20
CEILING - TO COMPLY WITH SANS 10850-2A
GLASS - ALL GLASS TO COMPLY WITH PART N OF SANS 10400

IMPORTANT NOTE:
DRAWING TO BE READ IN CONJUNCTION WITH LATEST STANDARD BUILDING SPECIFICATION

NO	REVISION	DATE
1	ALTERNATIVE BATHROOM LAYOUT	02/03/18
2	DOOR JAMB DETAIL	12/03/18



Typical Sewer and water connection, representation only
Drain layout to be in accordance with Civil Engineers design

Architect
GEOFF COOMBE · DAVIS · SACAP G476
2003700679
Consulting Engineer

66 Newton Street, Newton Park, Port Elizabeth, 6045
P O Box 34237, Newton Park, 6056, South Africa
v3consulting.co.za

ARCHITECTURE | DESIGN | INNOVATION
THE CREATIVE AXIS
ARCHITECTS
126 Cape Road, Mill Park, Port Elizabeth
Tel: (041) 373 7225 Fax: (041) 373 8024

PROJECT
Khayamandi 446
Housing Development
Port Elizabeth

DRAWING
New Dwelling
Type 2
Construction Drawing

SCALE AS SHOWN	DATE 05-01-2018	DRAWN MOORE	CHECKED GCD
PROJECT NUMBER	EC-18		
DRAWING NUMBER	018-202		
REVISION	2		