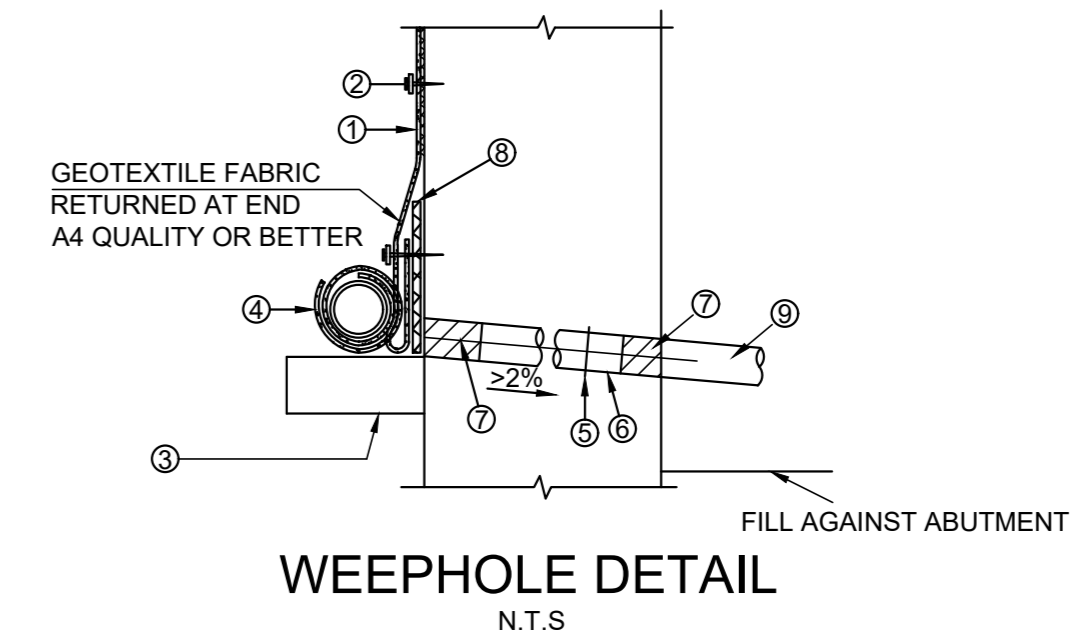
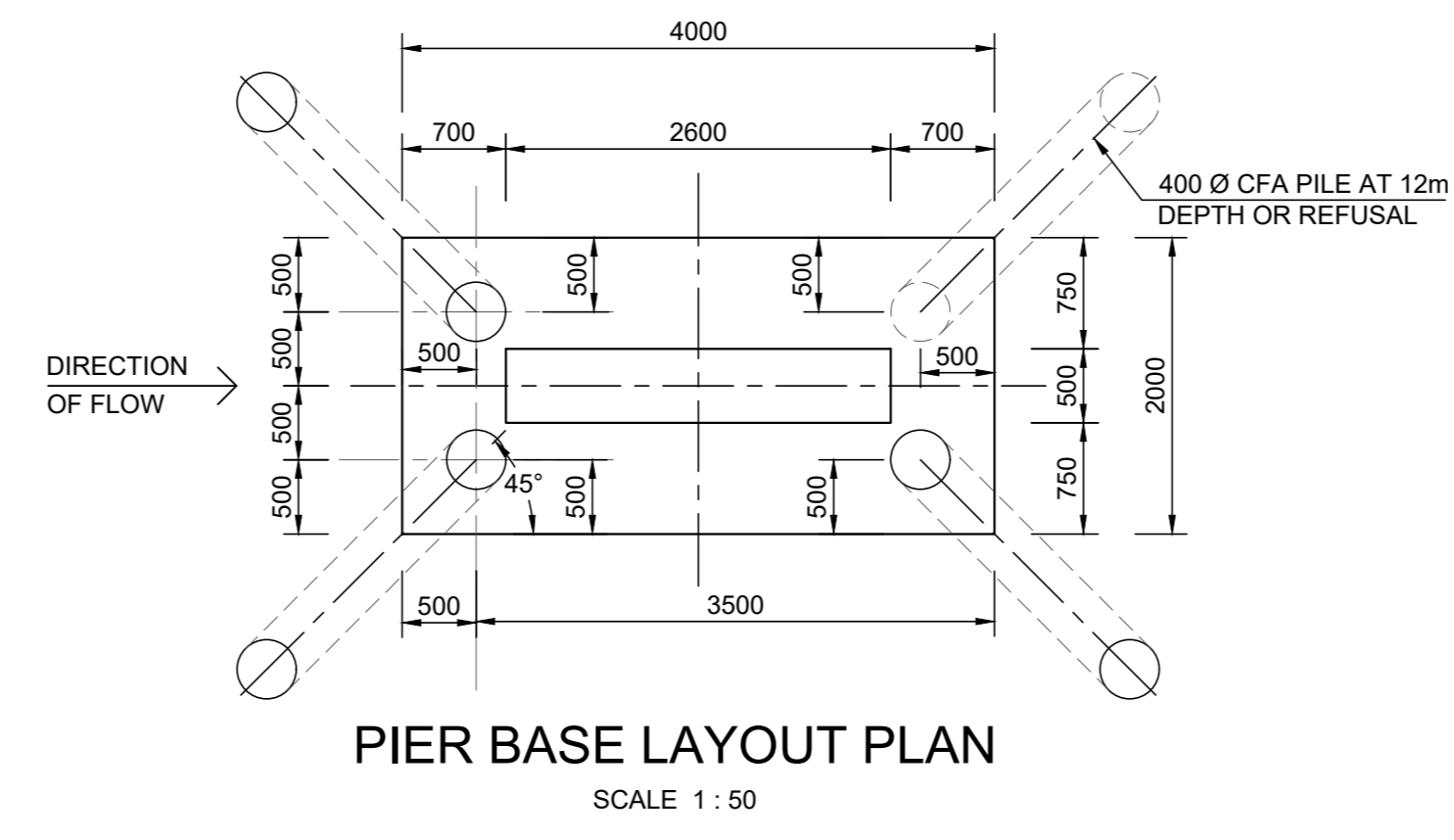
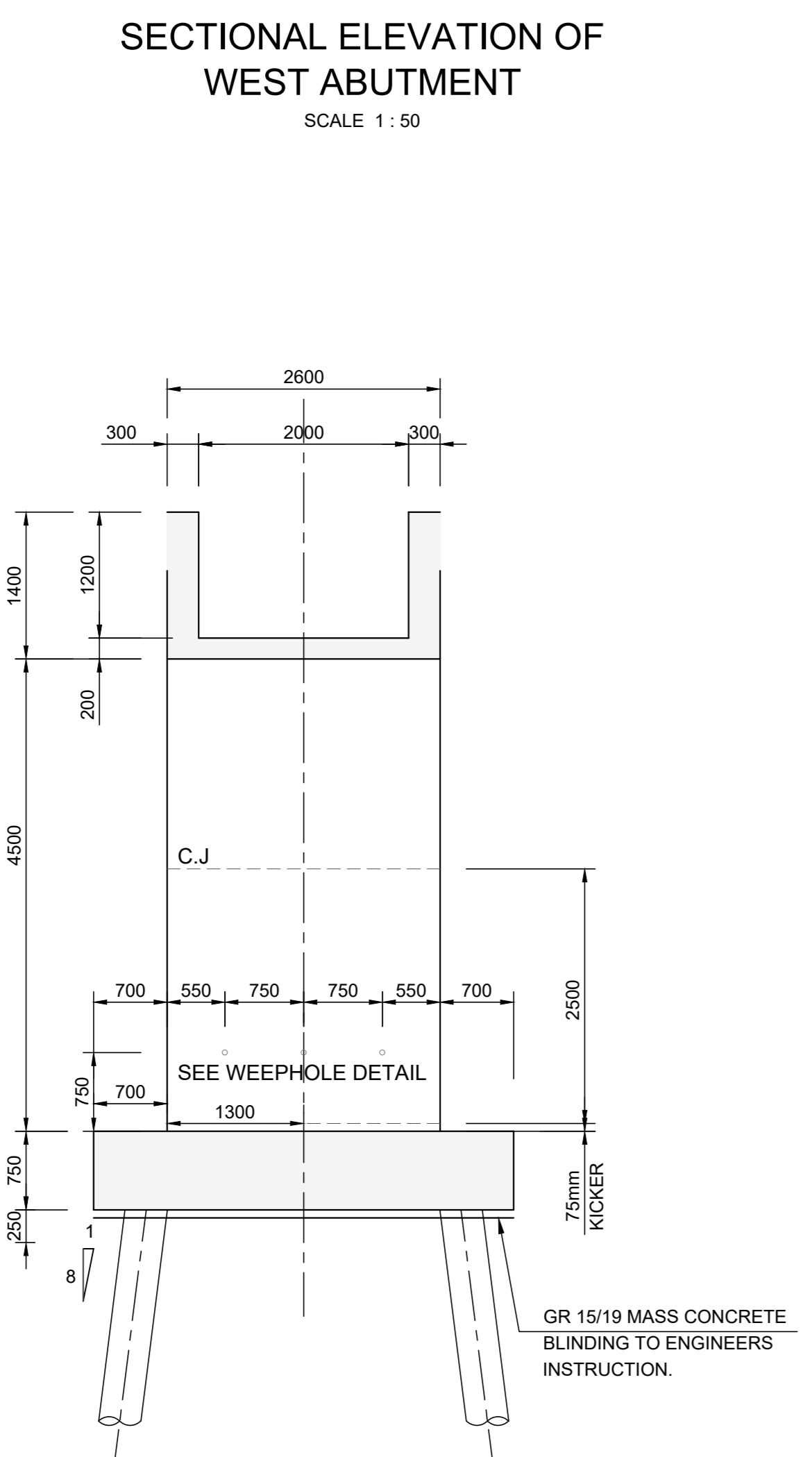
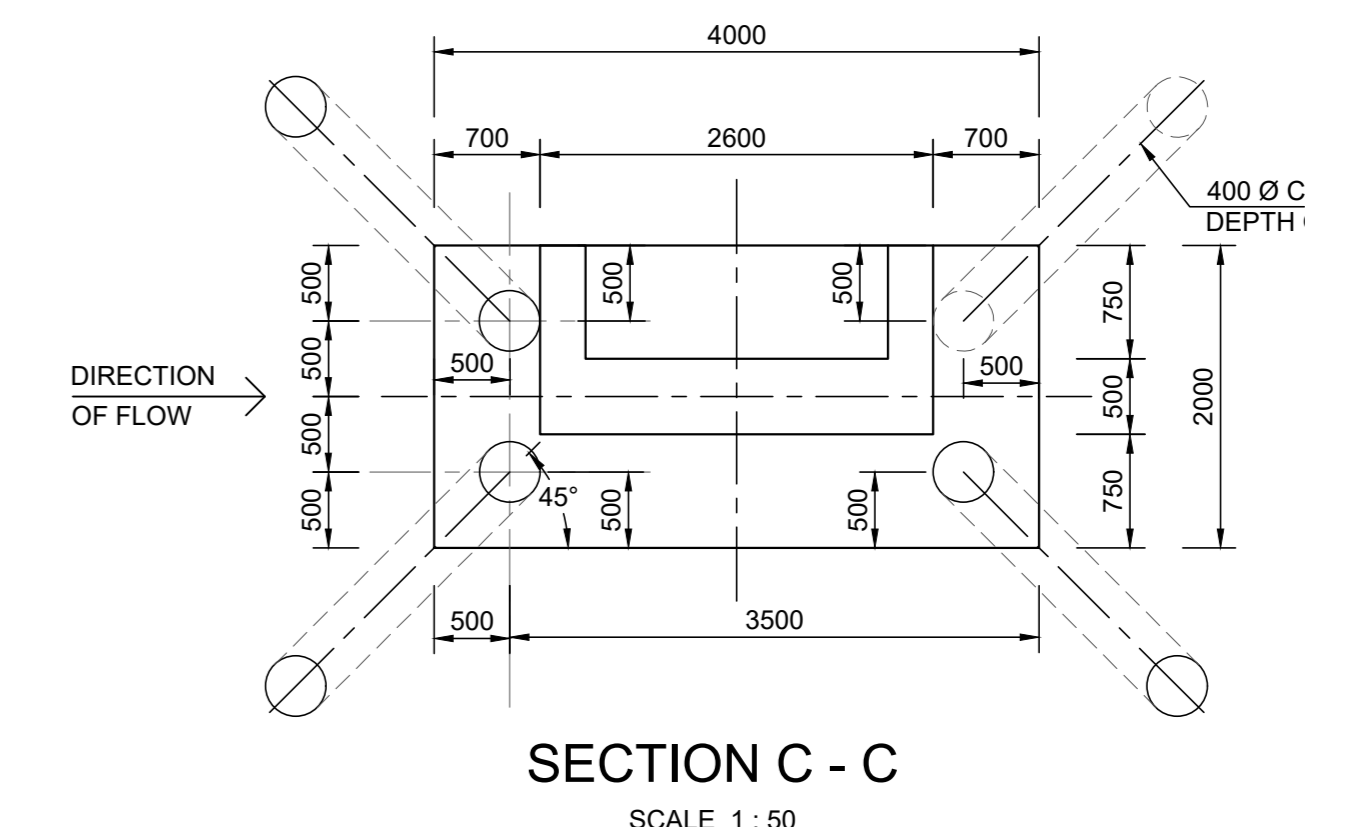
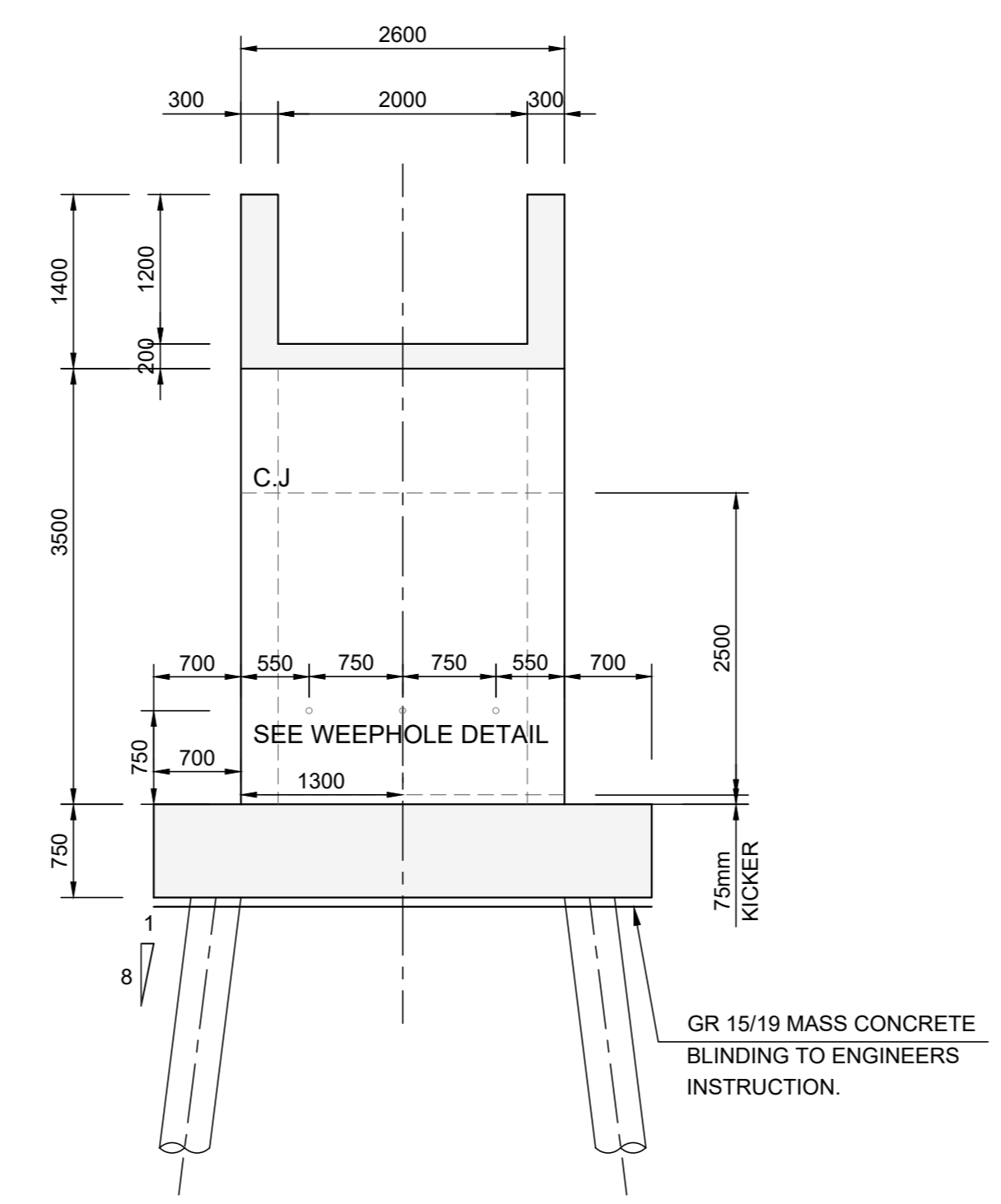
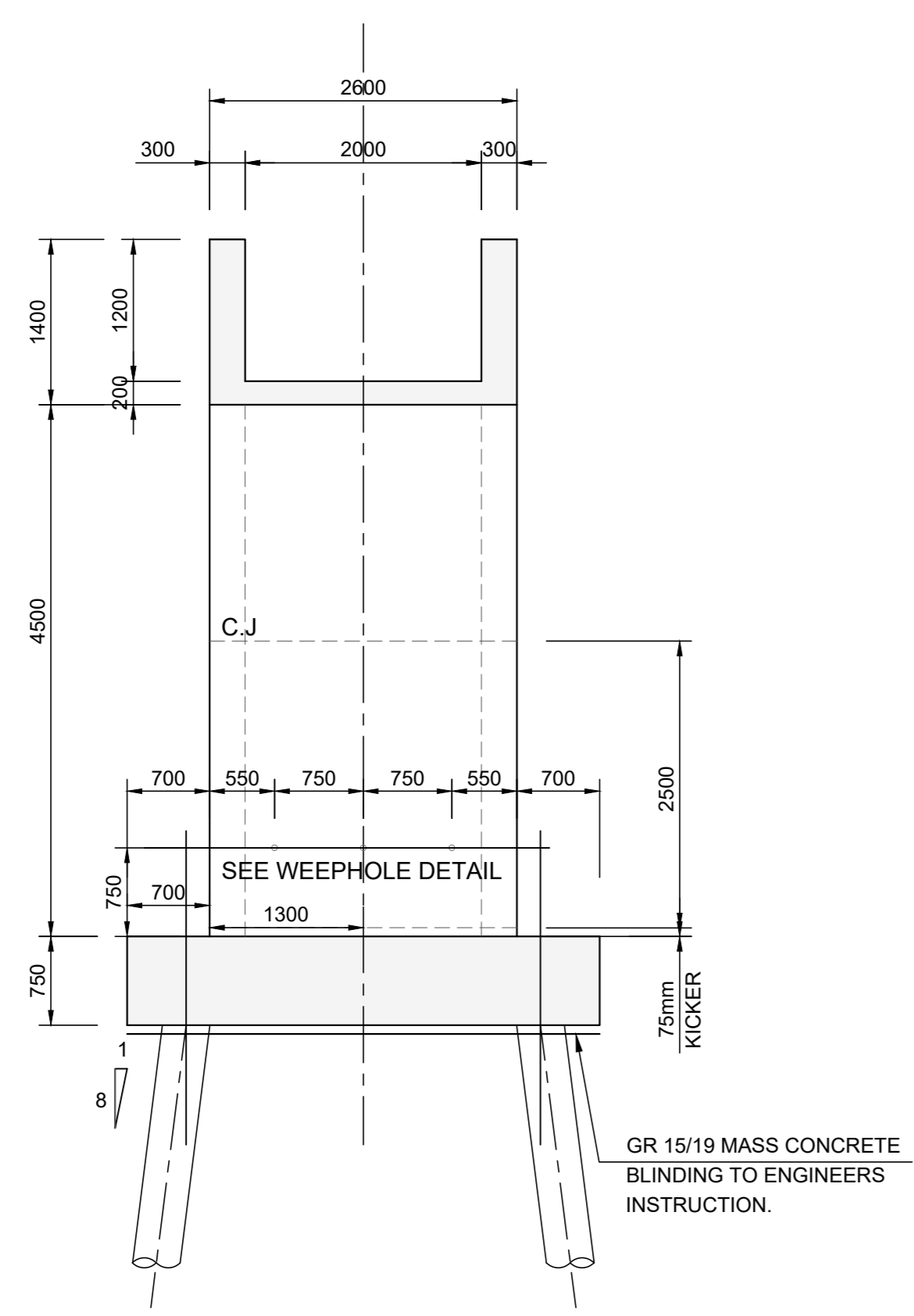
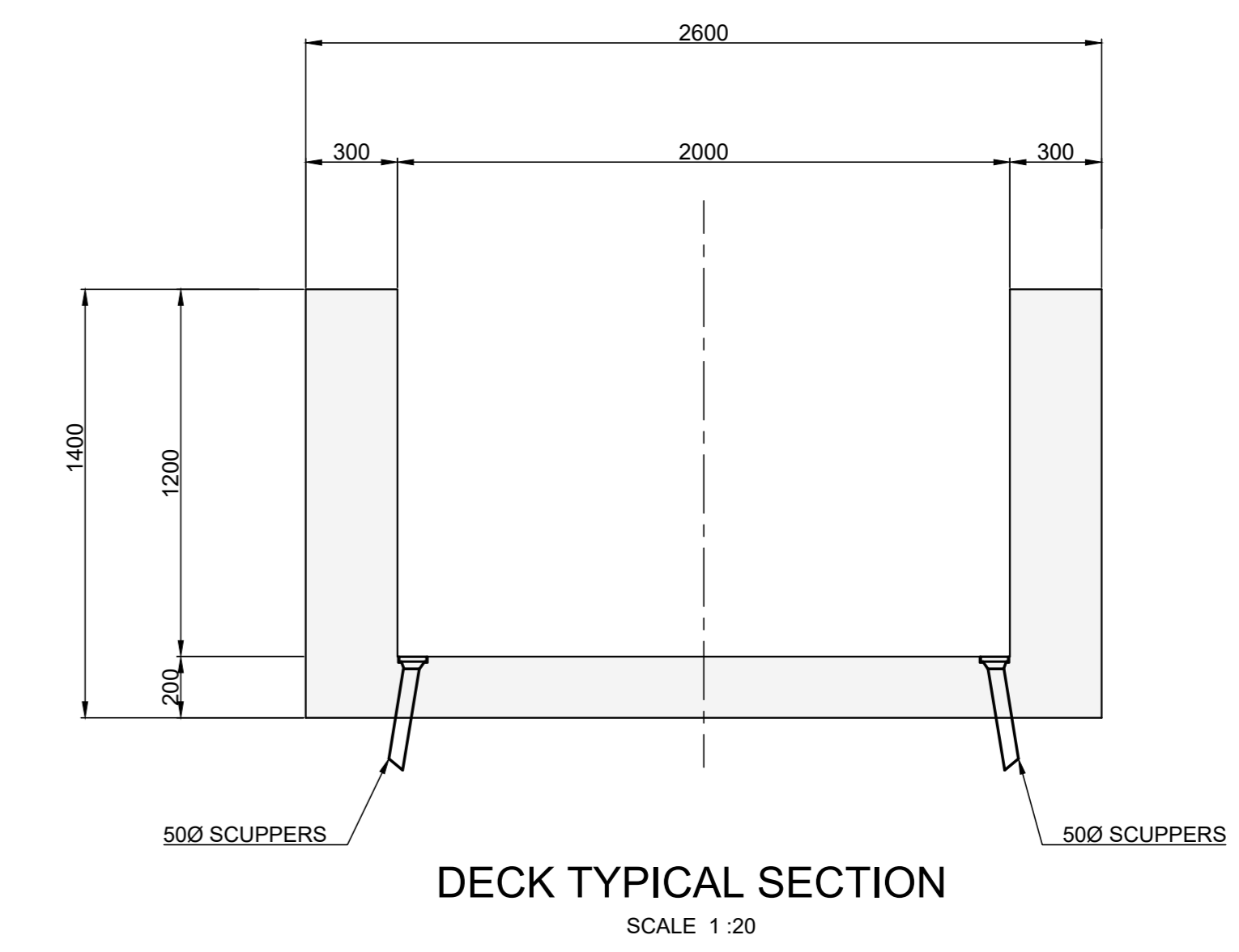
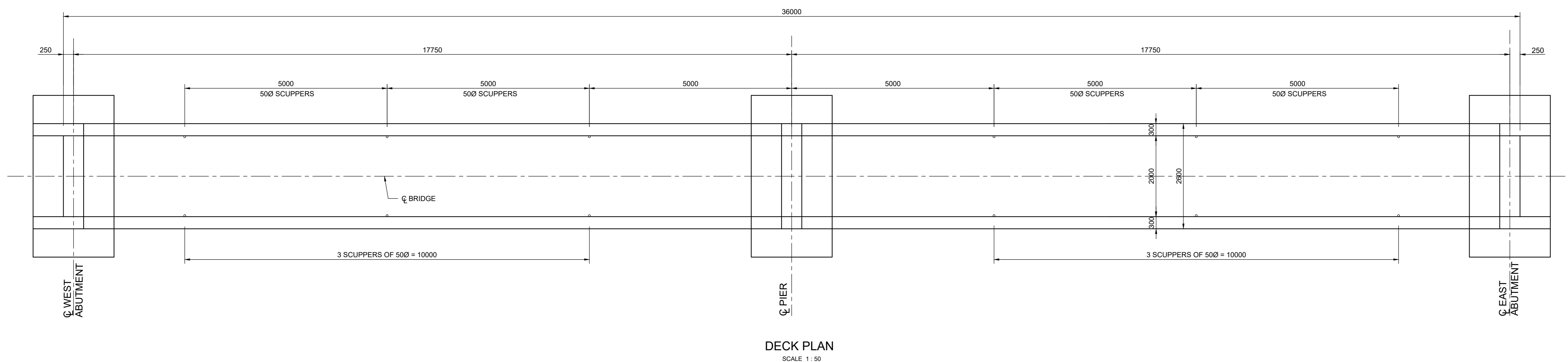
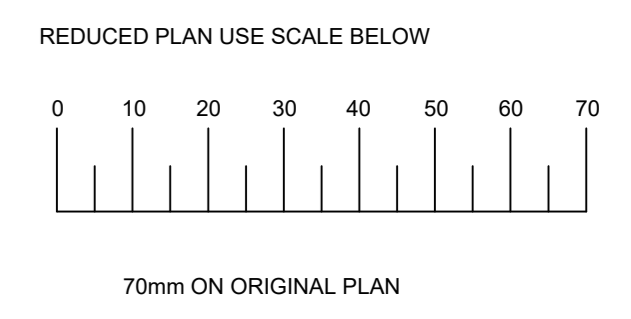


NOTE:  
ALL DIMENSIONS TO BE CHECKED ON SITE BEFORE ANY WORK IS  
PUT IN HAND. REFER ANY DISCREPANCIES TO THE ENGINEER.



- LEGEND**
- 200mm WIDE FILTER ELEMENTS SECURED TO BACK FACE OF STRUCTURE AT 45° SLOPE.
  - CONCRETE NAILS WITH 25 x 25mm HOOP IRON WASHERS TO SECURE FILTER ELEMENTS TO STRUCTURE AT ± 1 000mm CENTRES.
  - CONCRETE SCREED TO GRADE AND LEVEL OF DRAINAGE PIPES PRIOR TO PLACING OF DRAINAGE PIPES.
  - 65mm dia PERFORATED DRAINAGE PIPES WRAPPED IN GEOTEXTILE. THE GEOTEXTILE SHALL HAVE AN OVERLAP OF NOT LESS THAN 150mm AND BE TIED AT CENTRES NOT GREATER THAN 200mm.
  - 3.15mm dia STAINLESS STEEL WIRE BARRIER.
  - 50mm dia uPVC WEEPHOLES AT CENTRES SHOWN. THE CONTRACTOR SHALL ENSURE THAT THE WEEPHOLES ARE CLEAR AND APPROVED BY THE ENGINEER BEFORE THE FILTER ELEMENTS ARE INSTALLED.
  - TEMPORARY POLYSTYRENE PLUG TO PREVENT INGRESS OF GROUT DURING PLACING OF THE CONCRETE.
  - 200mm WIDE FILTER ELEMENT SECURED TO BACK FACE OF STRUCTURE AT SAME GRADE AS WEEPHOLES.
  - EXTENSION OF WEEPHOLES TO EMBANKMENT

Revision	Date	Description
VIA	08/04/2026	FOR TENDER PURPOSES
		NOTE: No construction work to commence until land and servitude acquisitions have been completed.
		Acquisitions completed
Date	Engineer	
	UNDERGROUND SERVICES CHECKED	
SERVICE	DATE	SIGNATURE
S.W DRAINS		
SEWERS		
WATER MAINS		
G.P.O CABLES		
ELECTRIC CABLES		
S.A.R. CABLES		
E.S.C. CABLES		
ON PIPE LINE		

Contract No. **1R - 35384**

Project Title  
**NAZARETH RC PEDESTRIAN BRIDGE, WARD 16**

Drawing Title  
**CONCRETE DETAILS**

SCALES	AS SHOWN	Date:	08/04/2026
Designed:	X. MKATI	Checked:	P. G. FEMTON J. HARRISPERHAD
Drawn:	N. MNGELA	Surveyed:	-
Manager:	Structures		
	P. G. FEMTON		
	Deputy Director : Roads Provision		
	S. MASONDO		

T. ZULU	ACTING DIRECTOR: R.I.M
Drawing No.	Sheet 02 Rev. V1

**FOR TENDER**