

UNIT DESIGN INFORMATION

RATINGS

OUTPUT : 485 KVAR
 VOLTAGE : 9850 V
 FREQUENCY : 50 HZ
 CAPACITANCE : 15.91 uF
 BIL : 125 kV

PHYSICAL CHARACTERISTICS

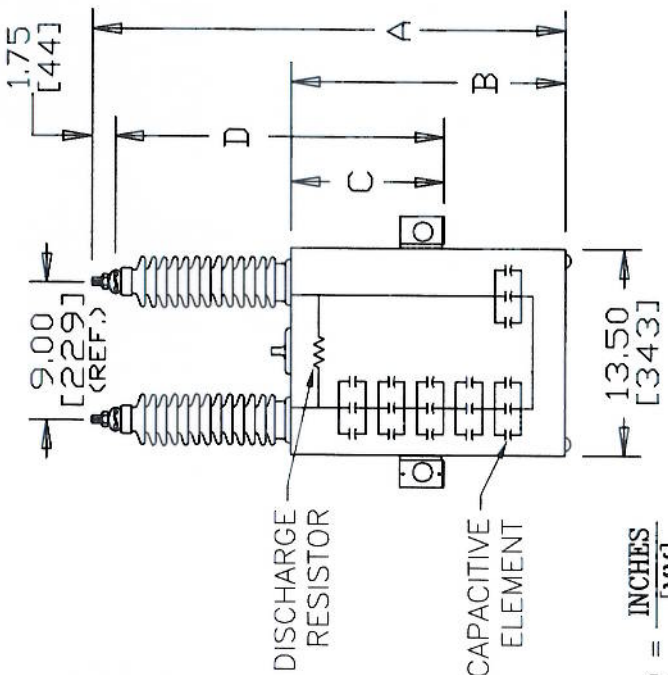
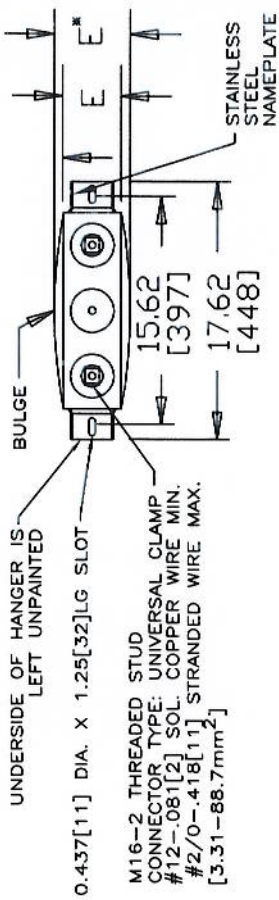
BUSHING 1 CREEPAGE : 32.00" [813 mm]
 BUSHING 2 CREEPAGE : 32.00" [813 mm]
 TANK/BUSHING COLOR : ANSI 70 SKY GRAY
 BUSHING TYPE : PORCELAIN
 WEIGHT : 128 LBS [58.11 KG]
 DIELECTRIC FLUID : 3.04 GAL [11.5 L] EDISOL VI

DIMENSIONS

A : 43.75" [1111 mm]
 B : 27.50" [698 mm]
 C : 10.50" [267 mm]
 D : 25" [635 mm]
 E : 6.25" [159 mm]
 E* : 7.13" [181 mm]

INTERNAL DESIGN

SERIES SECTIONS : 6
 PARALLEL ELEMENTS : 3
 DESIGN STRESS : 1642 V/mil (64.6 um)
 DISCHARGE RESISTOR : 2.85 MegOhm
 CONTAINS INTERNAL DISCHARGE RESISTORS
 DOES NOT CONTAIN INTERNAL FUSES



Accepted

S.H. van Steeden
 Name

H. Steeden
 Signature

Senior Consultant
 Designation

5/9/14
 Date

LEGEND = $\frac{\text{INCHES}}{[MM]}$

FINISHED PART TOLERANCES (UNLESS OTHERWISE SPECIFIED) .XX = ±.125 INCHES

CONFIDENTIAL
 MUST NOT BE USED IN
 ANY WAY DETRIMENTAL TO
 COOPER POWER SYSTEMS



TYPE HD SINGLE PHASE CAPACITOR UNIT

DR.	DATE	SH	OF
	8/6/2014		
AP.			

CEP14049A1

REV	DATE	BY	ECN