

1

2

3

4

A

A

B

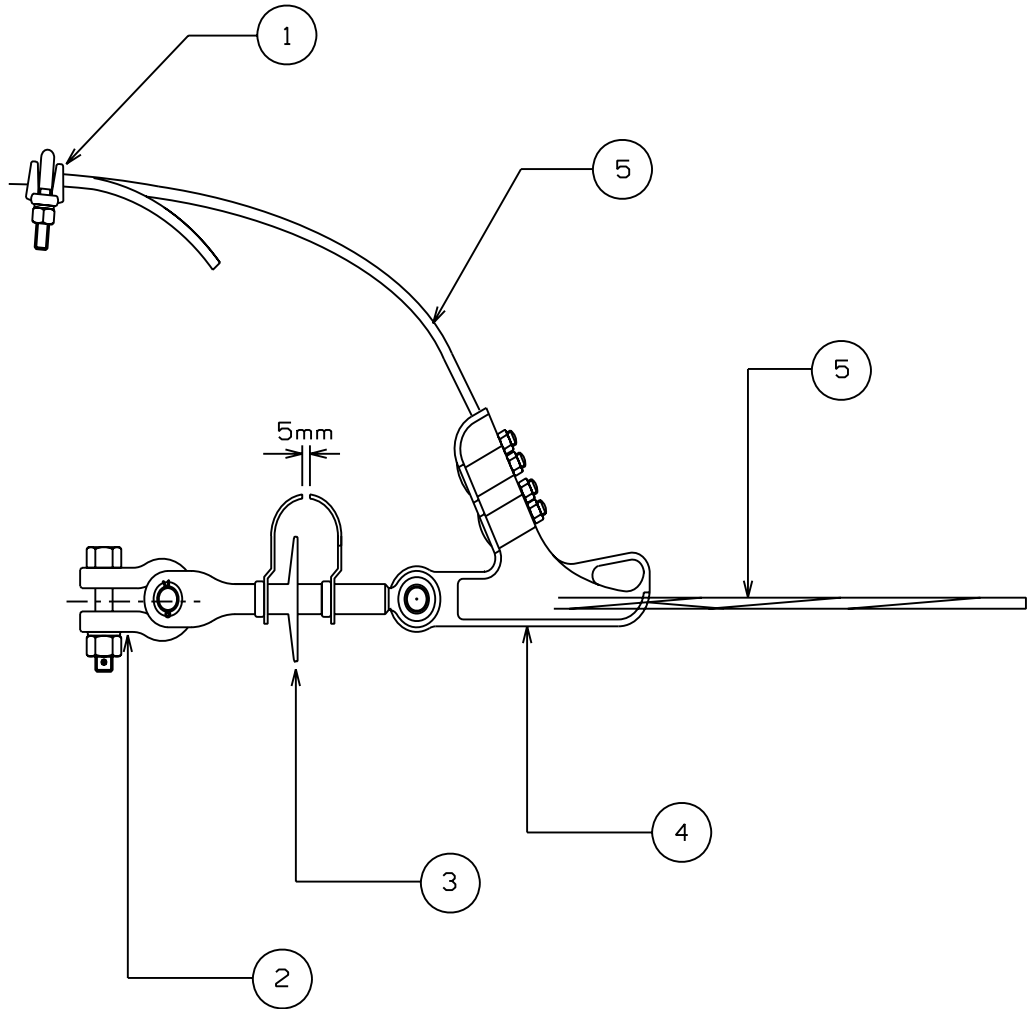
B

C

C

D

D



REF	DESCRIPTION	DRAWING NO.
1	CLAMP CROSBY	D-DT-7032
2	SHACKLE STRAIGHT	D-DT-7017
3	SHIELD WIRE INSULATOR	D-DT-7012
4	CLAMP PISTOL	D-DT-7022
5	CONDUCTOR	D-DT-3136

4	RETICULATION REMOVED FROM TITLE BLOCK	P.A.T.	S. MASHABA	02.03.'09		
03	DRG SHT UPDATED, BOLT ORIENT. REV'D, ITEM 3 DESCR REV'D	SLR	RAB AB	MAY 2004		
REV	REVISION DESCRIPTION	BY	CHKD	AUTH	DATE	PROJECT NO.



AUTH: A BEKKER

DATE: JAN 2004

CHKD: RAB

DATE: JAN 2004

DRAWN: LMP

DATE: APRIL 2000

DISTRIBUTION TECHNOLOGY
SUB-TRANSMISSION LINES
ASSEMBLY AND INFORMATION DRAWINGS
STRAIN SHIELD WIRE INSULATED ASSEMBLY

D-DT-7324

SET SHEET REVISION

1

1

4

1

2

3

4 A4L