

UNIT DESIGN INFORMATION

RATINGS

OUTPUT : 443 KVAR
 VOLTAGE : 8956 V
 FREQUENCY : 50 HZ
 CAPACITANCE : 17.58 uF
 BIL : 170 kV

PHYSICAL CHARACTERISTICS

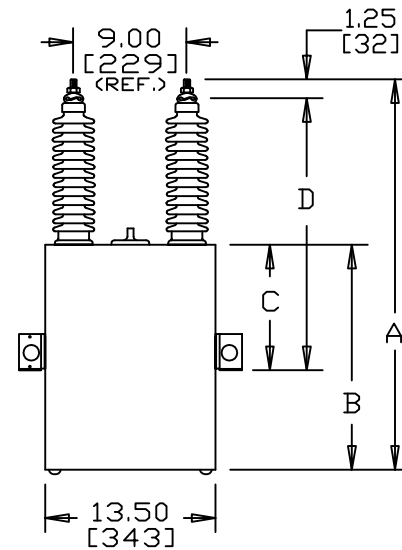
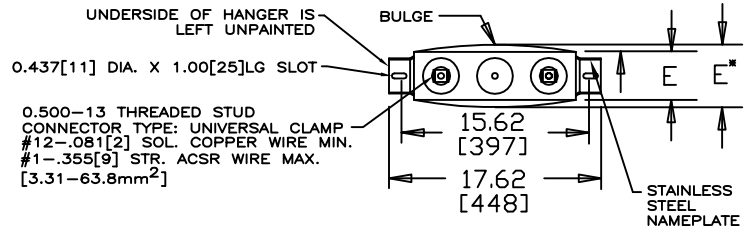
BUSHING 1 CREEPAGE : 32.00" [813 mm]
 BUSHING 2 CREEPAGE : 32.00 [813 mm]
 TANK/BUSHING COLOR : ANSI 70 SKY GRAY
 WEIGHT : 118 LBS [53.52 KG]
 DIELECTRIC FLUID : 2.99 GALS [11.3 L] EDISOL VI

DIMENSIONS

A : 38.25" [972 mm]
 B : 22.50" [572 mm]
 C : 9.88" [251 mm]
 D : 24.38" [619 mm]
 E : 7.00" [178 mm]
 E* : 7.88" [200 mm]

INTERNAL DESIGN

SERIES SECTIONS : 5
 PARALLEL ELEMENTS : 3
 CONTAINS INTERNAL DISCHARGE RESISTORS
 DOES NOT CONTAIN INTERNAL FUSES



LEGEND = $\frac{\text{INCHES}}{[\text{MM}]}$

FINISHED PART TOLERANCES (UNLESS OTHERWISE SPECIFIED) .XX = ±.125 INCHES



CONFIDENTIAL
 MUST NOT BE USED IN
 ANY WAY DETRIMENTAL TO
 COOPER POWER SYSTEMS

TYPE EX-7L SINGLE PHASE CAPACITOR UNIT

REV	DATE	BY	ECN

DR.	DATE
AP.	6/25/2009
	SH ___ OF ___

CEP09048A1