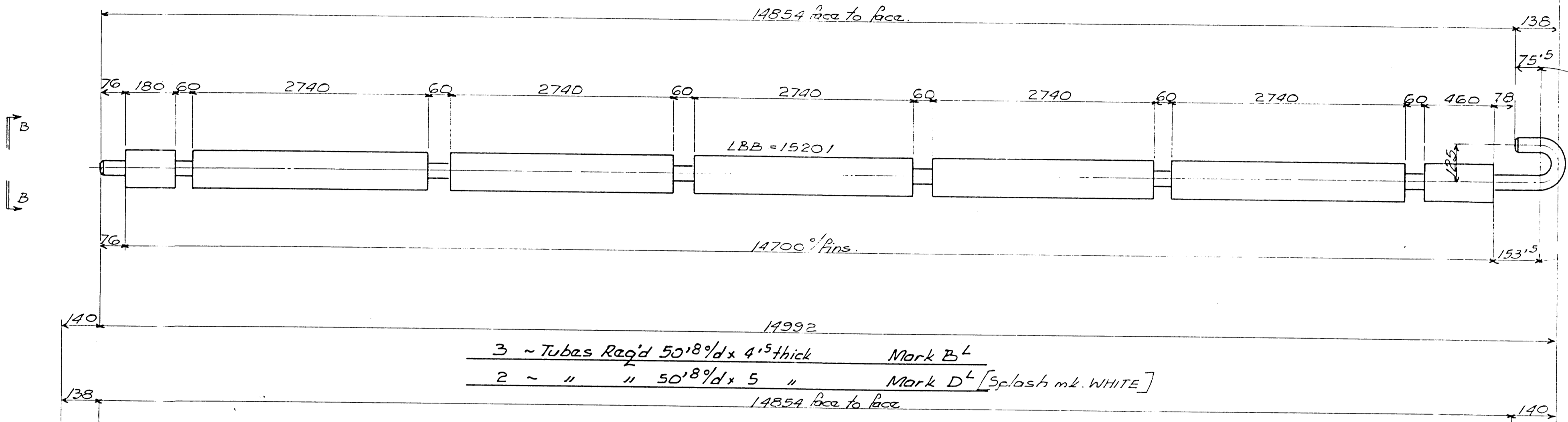
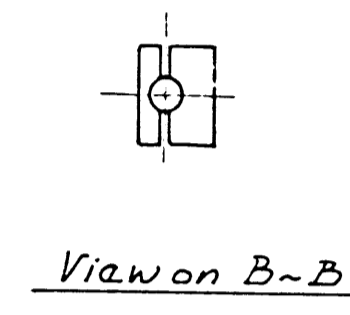
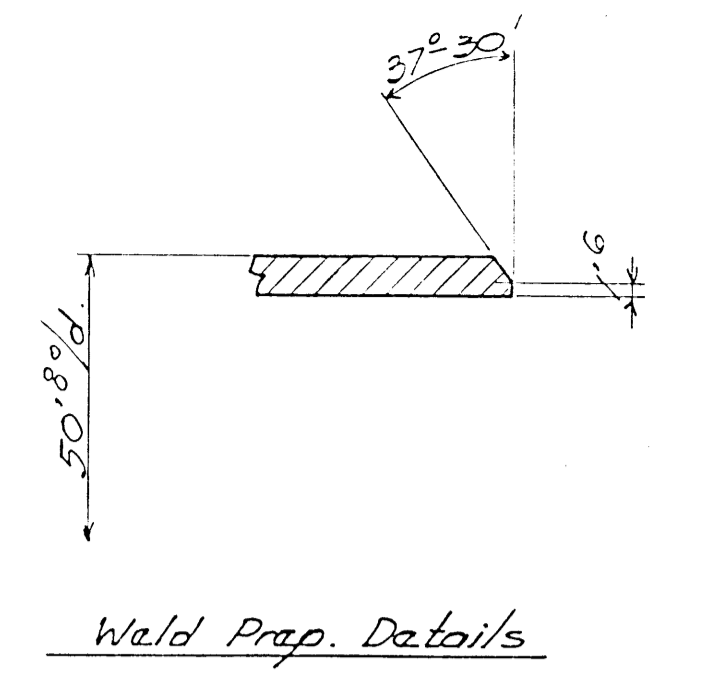
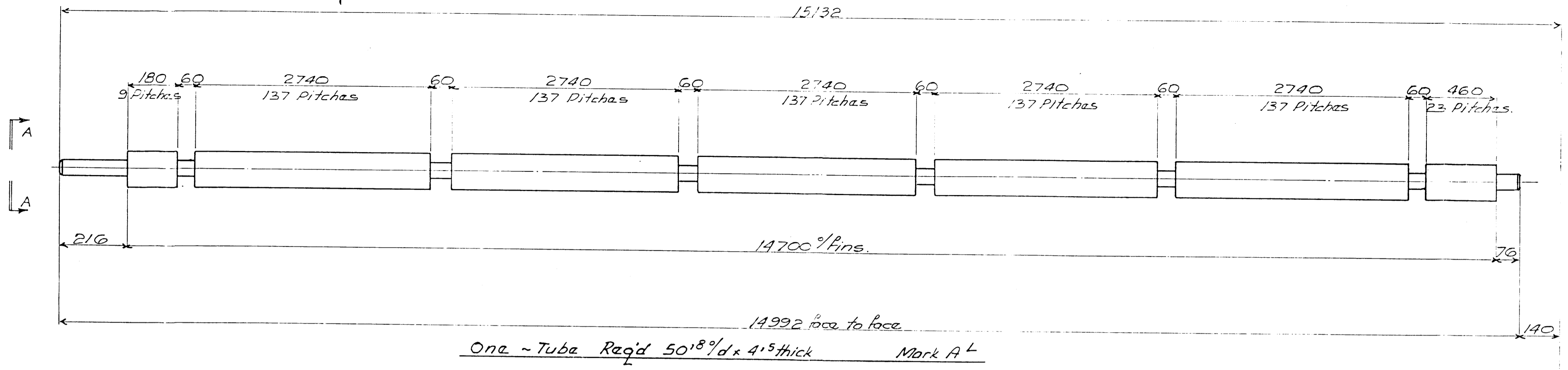
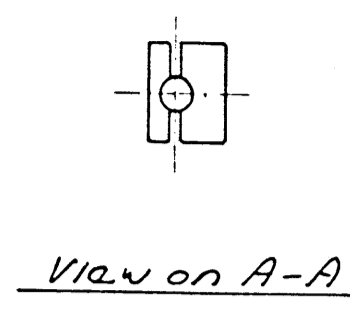
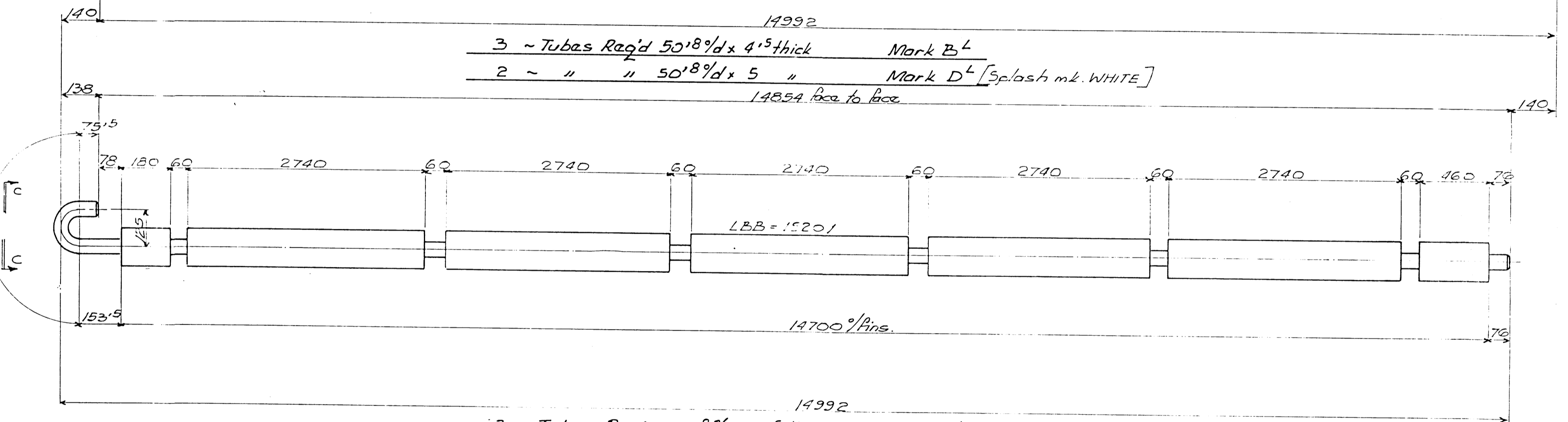
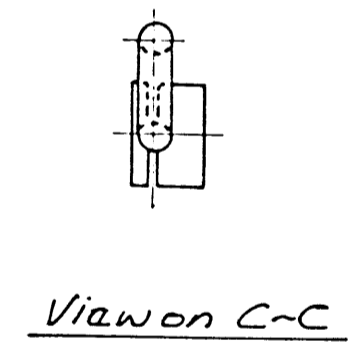


NOTE - Half Fins far side.



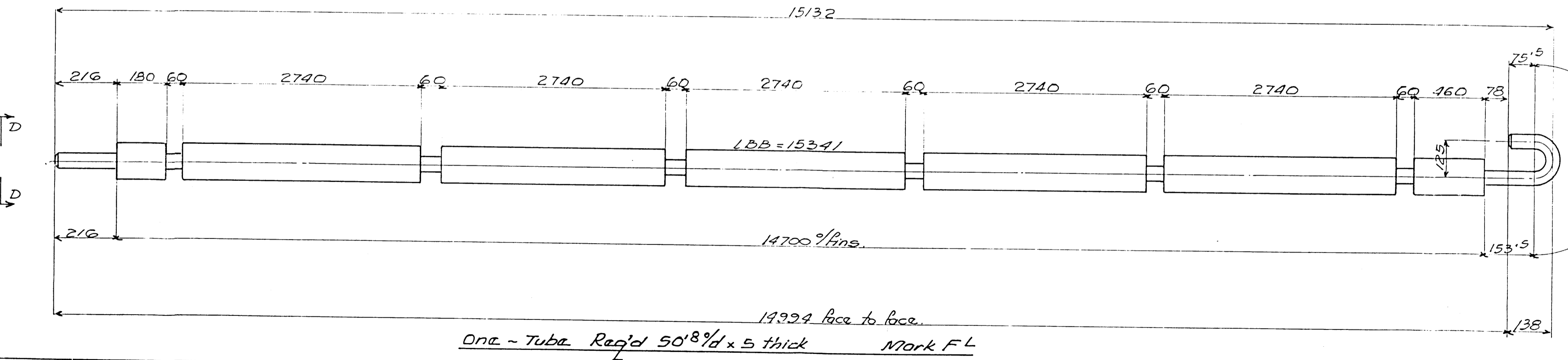
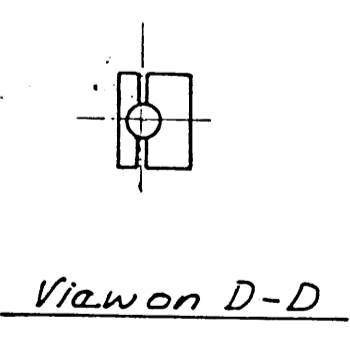
180° arc @ 62.5 rad = 196



180° arc @ 62.5 rad = 196

MASTER COPY

PLEASE RETURN TO DOCUMENT CENTRE



180° arc @ 62.5 rad = 196

DESIGN & SPECIFICATIONS RECEIVED  
1995-10-02  
ONTYANG  
ONTWERP & SPESIFIKASIES

APPROVED FOR CONSTRUCTION  
DATE: 13.1.83

0.6/56006 R10

DESIGN DATA	
Design Code	TRD 102 of DIN 17175 15 No.3
Pressure	24.20 MPa
Temperature	Inlet Pipes 301°C, Outlet Pipes 331°C
Site Test Pressure	30.5 MPa
Shop "	30.25 MPa
Tube size	Inlet 50.8 x 4.5 thk, Outlet 50.8 x 5 thk.
Tube material	DIN 17175 15 No.3
All Finning	to be 20mm pitch.

REVISION	INT.	DATE	REVISION	INT.	DATE

THIS DRAWING AND ALL THE INFORMATION THEREON IS THE PROPERTY OF E. GREEN & SON (S.A.) (PTY.) LTD. IT IS CONFIDENTIAL AND MUST NOT BE COPIED OR MADE PUBLIC.

SCALE	1/1
DRAWN	APW
DATE	Jan 83
CHECKED	APW
APPROVED	SKW
ISSUED	13.1.83

ESCOM - CONT. NO. OPT 11503/09  
Steinmüller REF. NO. 50.3061/01.9  
Tuba banding & Finning details Mk AL to FL  
Economiser ~ Boilers 1 to 6  
Tutuka Power Station.  
E. GREEN & SON (S.A.) (PTY.) LTD.  
P.O. BOX 878 VEREENIGING TRANSVAAL S.A.

0.6/56006	DRAWING NO
1143-6	REVISION

06.00/03.04.00.00