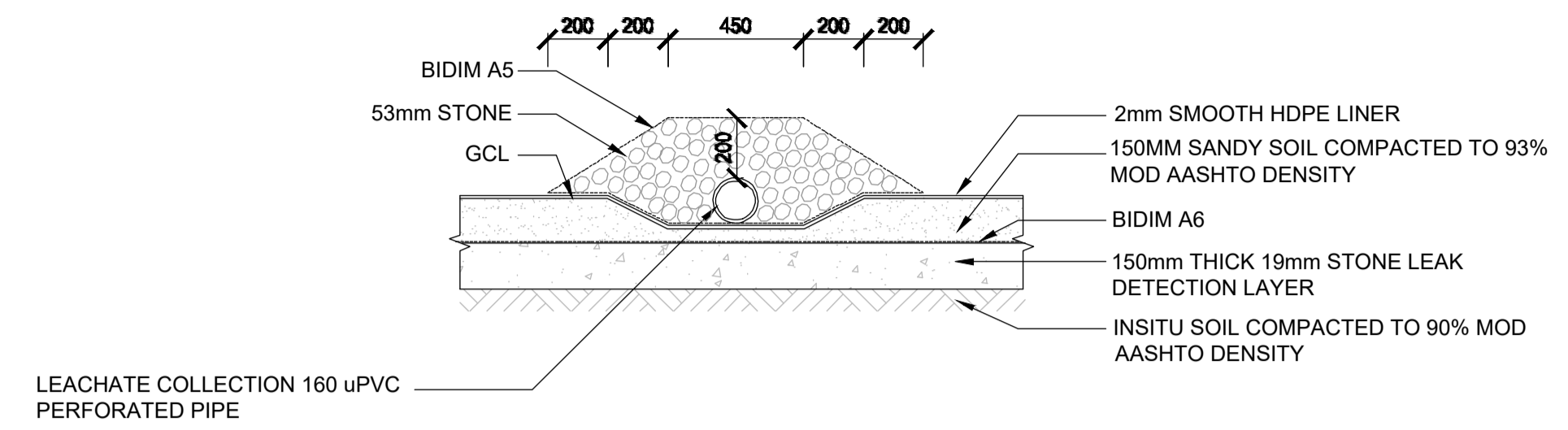
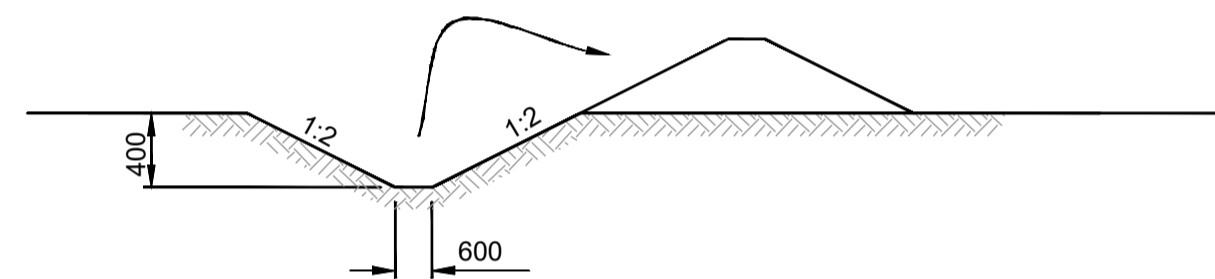


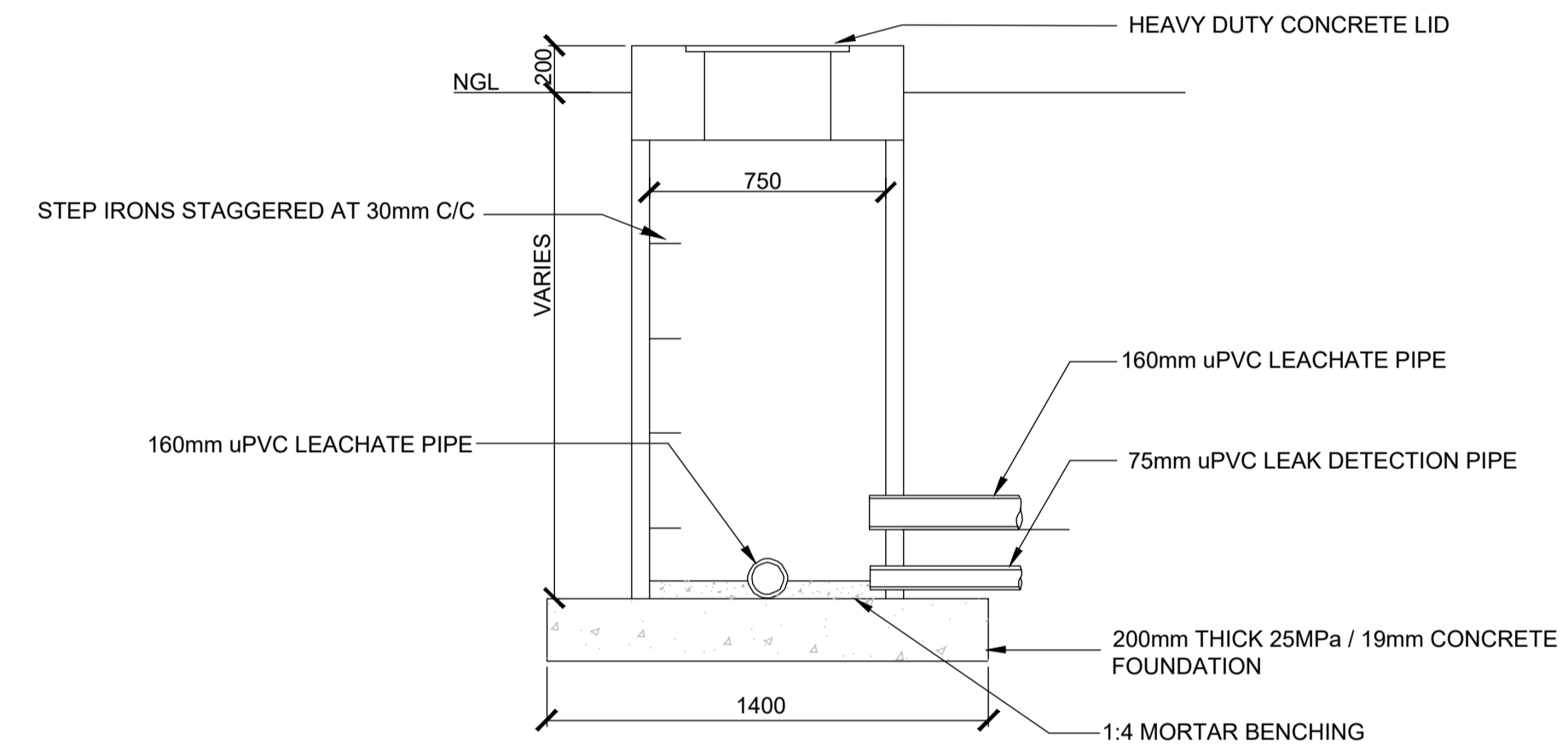
**PROPOSED CELL ANCHOR TRENCH DETAILS**  
SCALE 1:25



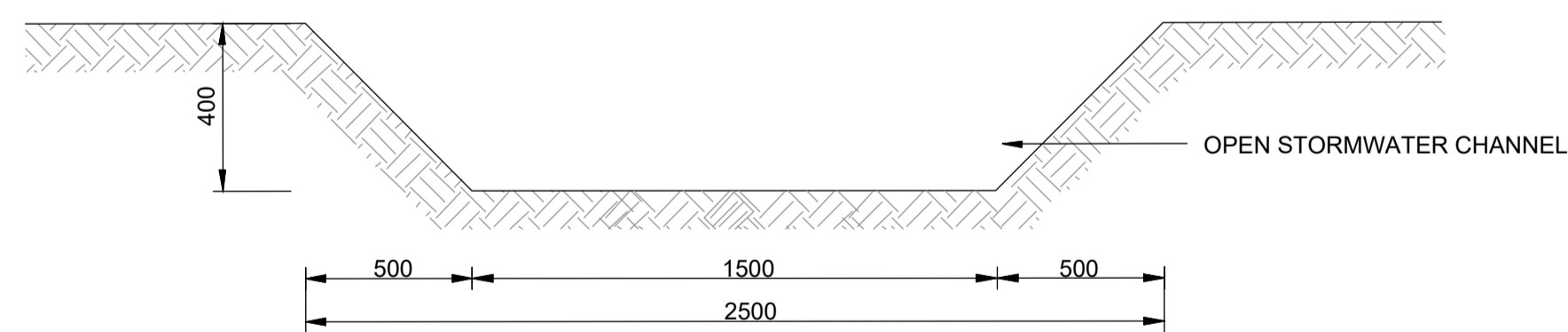
**PROPOSED CELL LINER DETAILS**  
SCALE 1:20



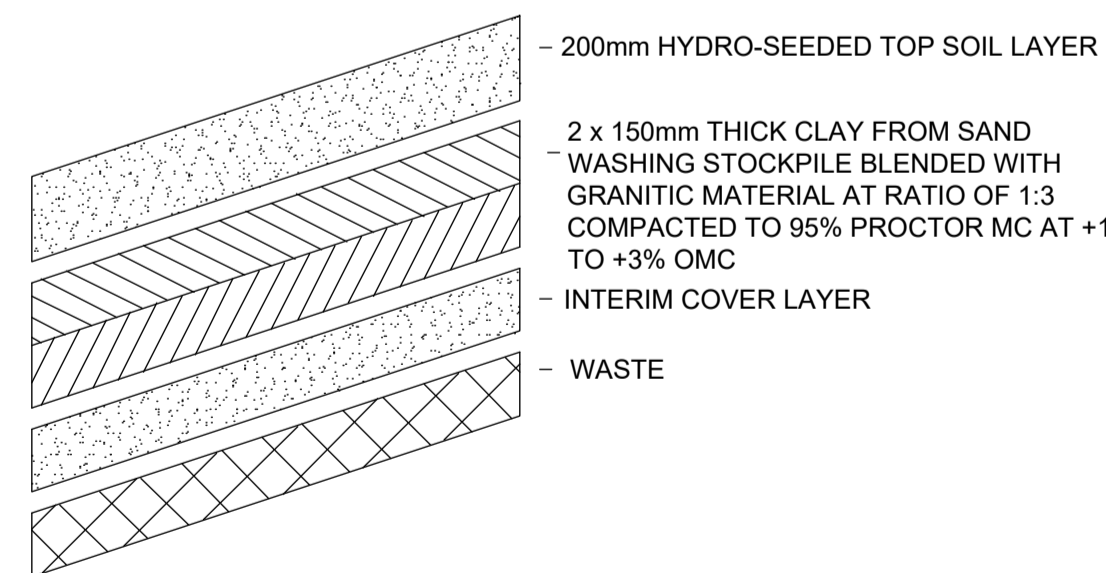
**TYPICAL STORMWATER DIVERSION TRENCH & BERM**  
SCALE 1:25



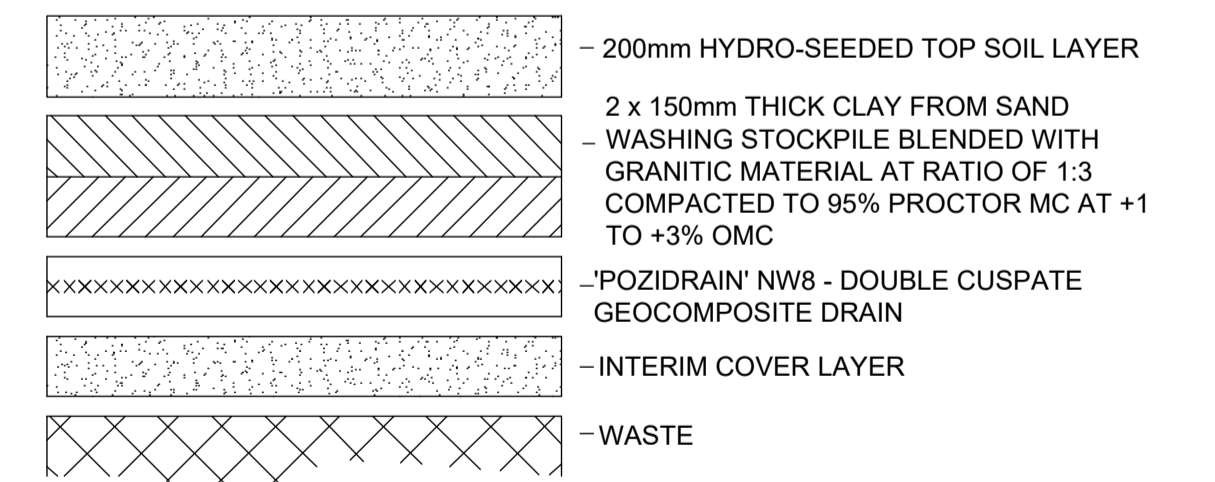
**LEACHATE MANHOLES TYPICAL DETAILS**  
SCALE 1:20



**TYPICAL STORMWATER OPEN CHANNEL**  
SCALE: NTS



**FINAL CAPPING DETAIL ON SIDE SLOPE**



**FINAL CAPPING DETAIL ON PLATEAU**

DESIGNED BY:	M.M.S	<b>INFORMATION</b> Full Signatures  For Client  For Consulting Engineer  Consultant's Drawing No.:	APPROVED	NO.	REVISION DETAILS	REV. NO.	DATE	REVISED BY	APPRVD BY	<b>CITY OF MBOMBELA</b> P. O Box 45 Mbombela 1200 Tel: +27 (0) 13 759 2041 Fax: +27 (0) 13 759 2274  <b>CITY OF MBOMBELA</b> THE ULTIMATE DESTINATION	<b>CONSULTING ENGINEERS</b>  <b>Jamela Consulting Engineering and Project Management</b> 1999/015744/23 16A Allee van Bergen Street P.O. Box 419 WHITE RIVER, 1240 Tel: (013) 750 0180 Fax: (013) 751 1980 Email: <a href="mailto:info@jamela.co.za">info@jamela.co.za</a>	BID NUMBER: COM44/2023  UPGRADING OF UMJINDI SOLID WASTE DISPOSAL SITE & ANCILLARY SERVICES IN UMJINDI, BARBERTON  CELL LINER, STORMWATER CHANNEL, LEACHATE MANHOLE & FINAL CAPPING DETAILS	SHEET 1 OF 1
DRAWN BY:	TM		For Client	0	ISSUED FOR TENDER PURPOSES	0	APR. 2023						SCALE: AS SHOWN
CHECKED BY:	M.M.S		For Consulting Engineer										DRAWING NO:
ISSUED BY:	M.M.S		Consultant's Drawing No.: 20 / /	For Consulting Engineer									COM44/2023/SW002
											REVISION 00		