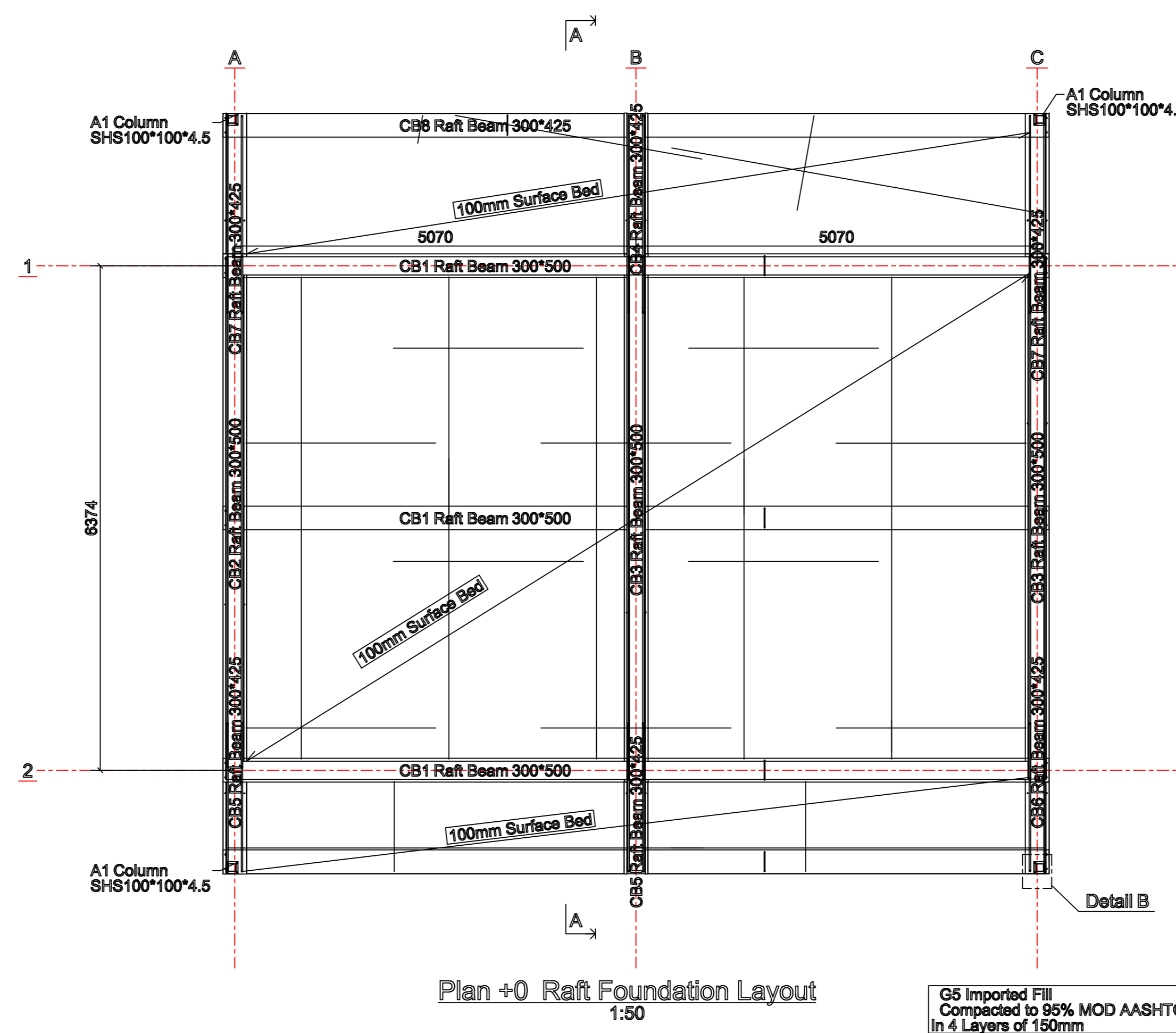
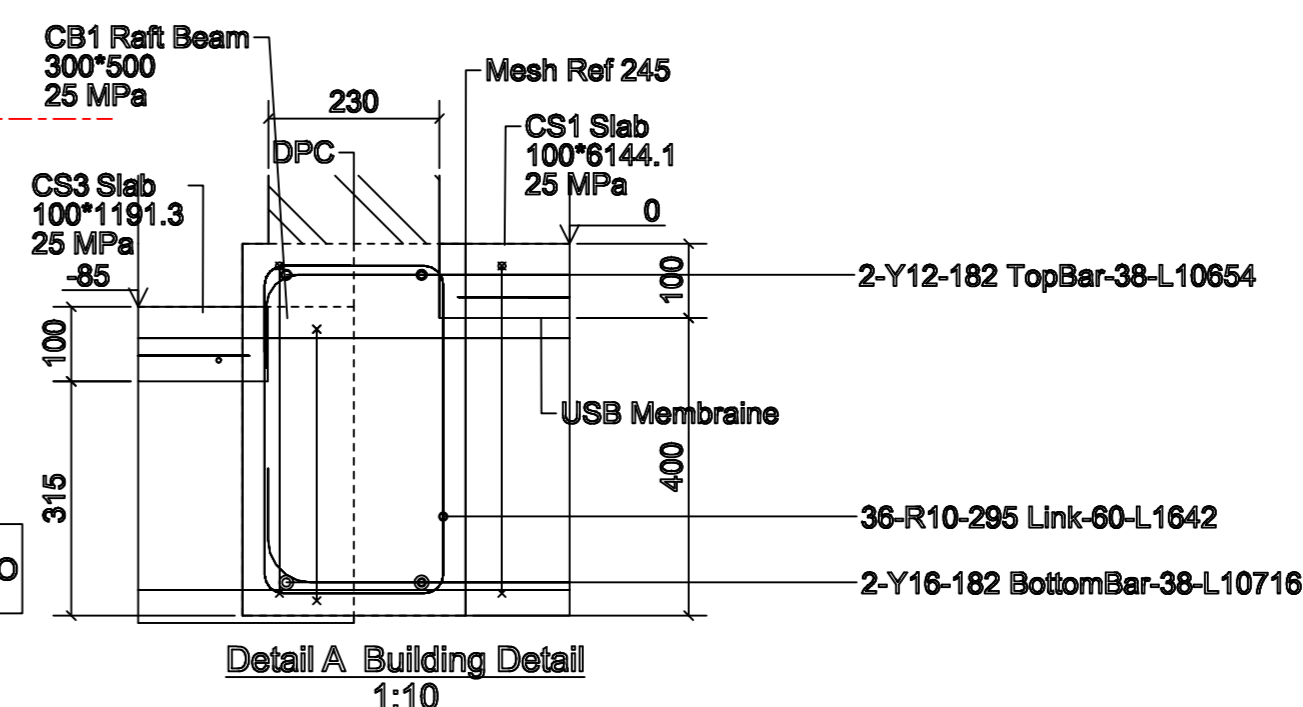


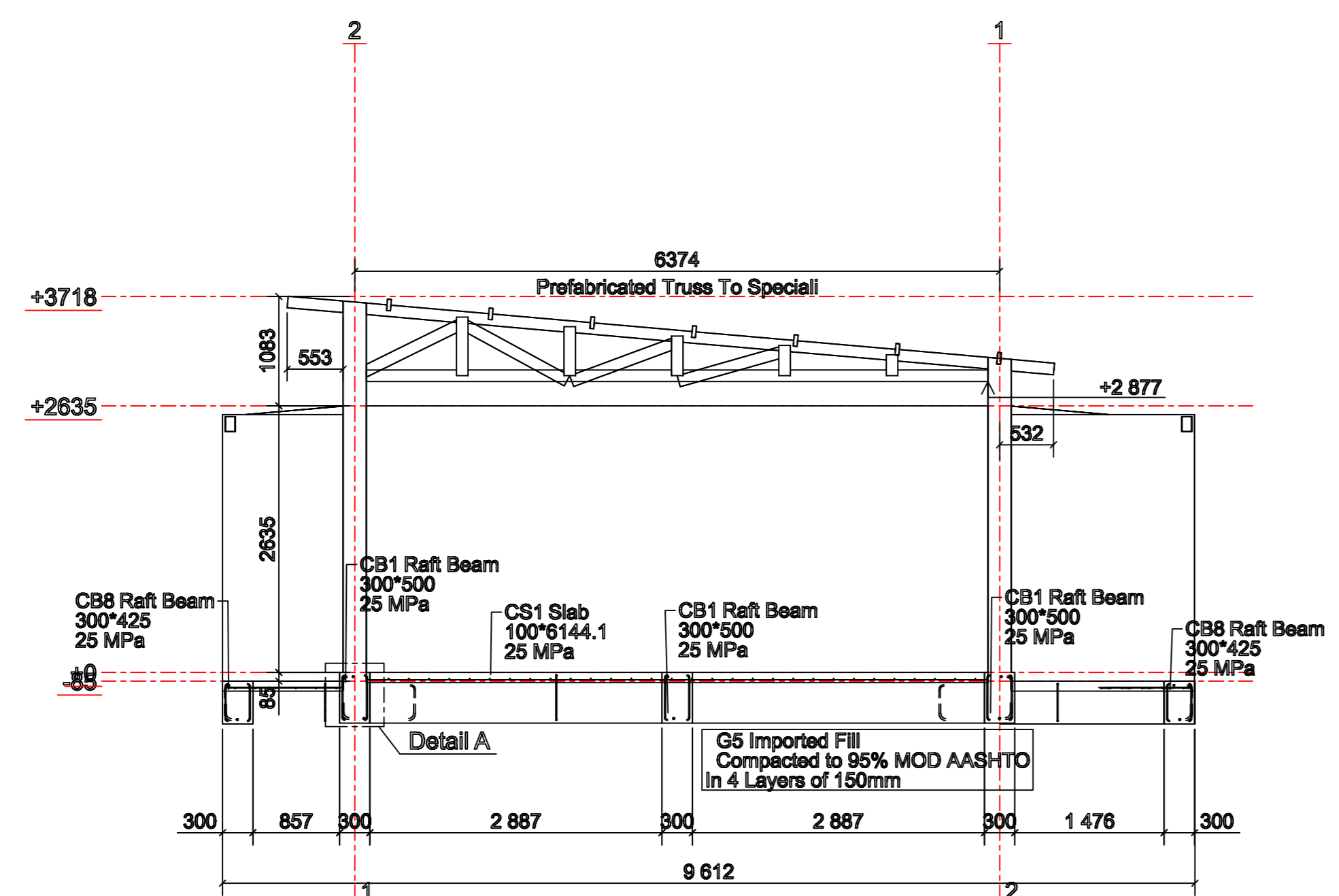
3D View  
1:50



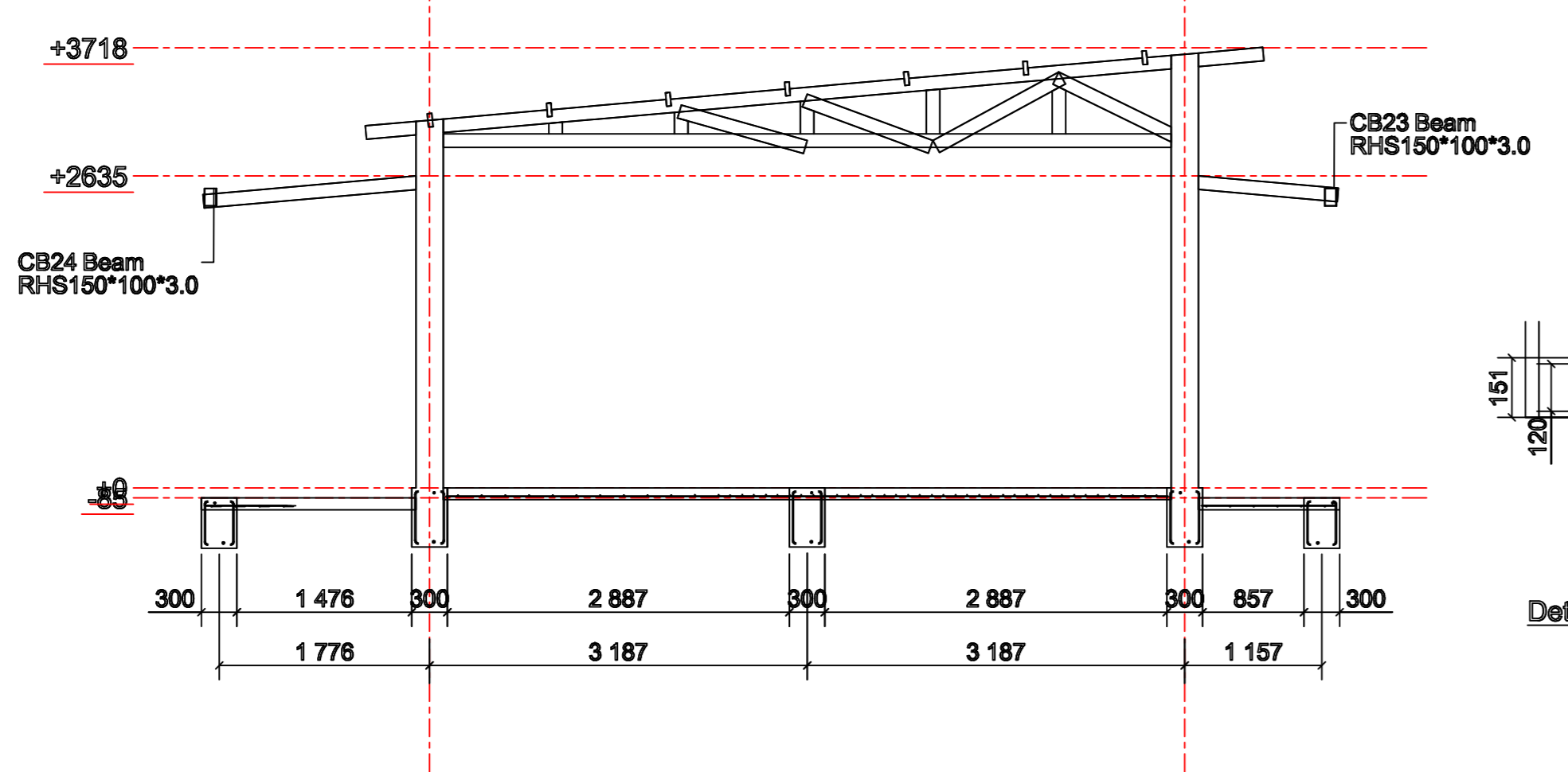
Plan +0 Raft Foundation Layout  
1:50



Detail A Building Detail  
1:10

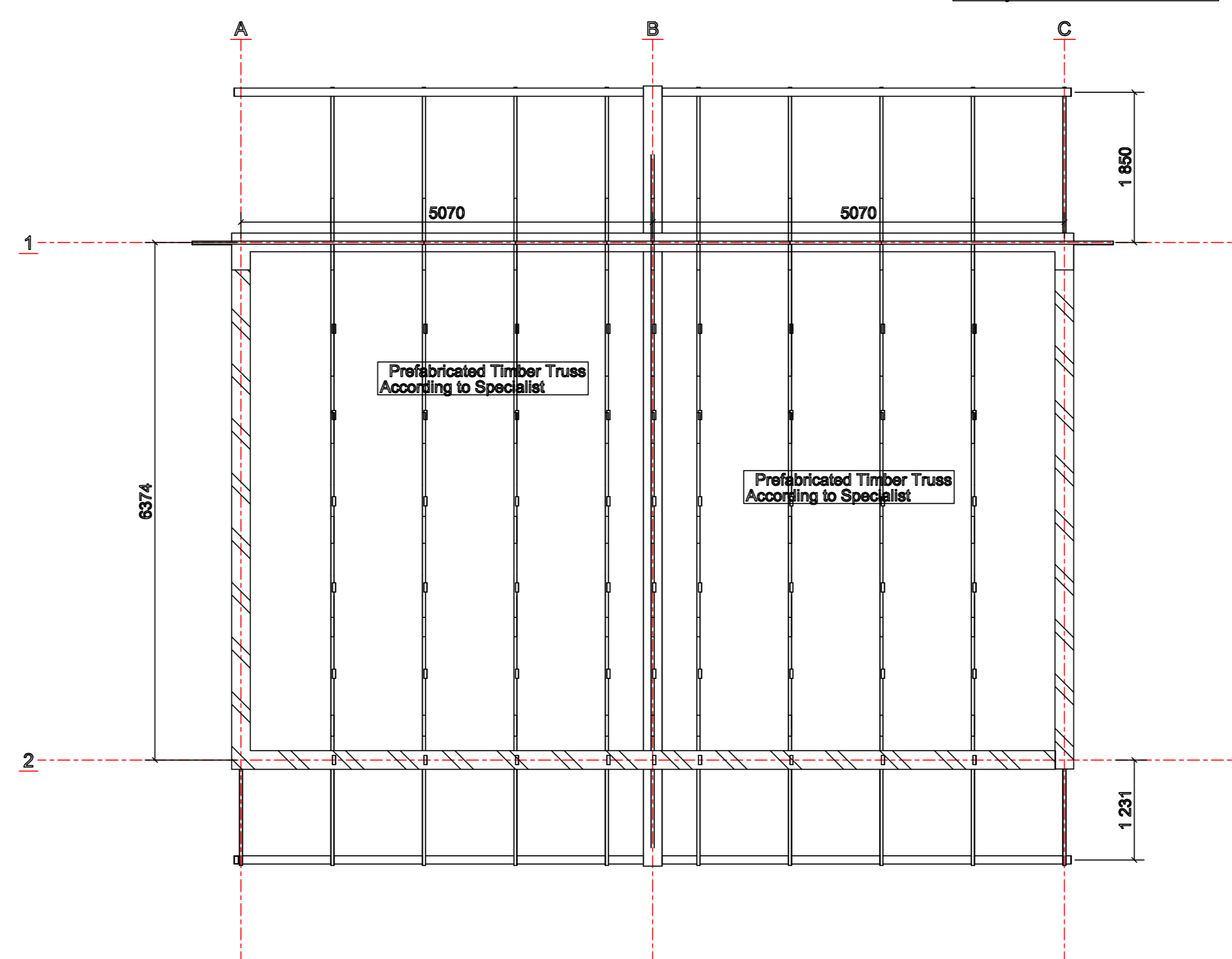


Grid B Building Section  
1:50



Detail B Base Plate  
1:15

A-A  
1:50



Plan +2635 Roof Layout  
1:50

No	Mat	Grade	Reference	Shape	Length	Width	Area each	Area total
1	M8	W485	Ref_245	Polygon	4710	1141	5.36	13.8
1	M7	W485	Ref_245	Polygon	6000	1141	6.85	17.3
2	M8	W485	Ref_245	Polygon	3797	2400	9.11	22.9
1	M5	W485	Ref_245	Polygon	3000	2400	7.20	17.8
1	M5	W485	Ref_245	Polygon	3000	2400	7.20	17.8
1	M4	W485	Ref_245	Polygon	494	2400	1.19	2.8
2	M4	W485	Ref_245	Polygon	494	2400	1.19	2.8
1	M3	W485	Ref_245	Polygon	5999	2400	14.40	35.3
1	M3	W485	Ref_245	Polygon	6000	2400	14.40	35.3
1	M3	W485	Ref_245	Polygon	6000	2400	14.40	35.3
1	M2	W485	Ref_245	Polygon	4966	1724	8.59	21.4
1	M1	W485	Ref_245	Polygon	6071	1009	6.12	15.4

Total of 14 mesh panels, area of 100.6 m<sup>2</sup> and mass of 247.1 kg.

Type	Mat	No	Length	Shape	A	B	C	D	E	r	Mass each	Mass total
Y12	8	4	2100	38	130	1885					1.8	7.4
Y12	15	2	2100	38	130	1880					1.8	3.7
Y12	10	4	2700	38	130	2500					2.4	9.6
Y12	7	2	2700	38	130	2505					2.4	4.8
Y12	14	2	6700	38	130	6475					8.0	11.0
Y12	3	4	6650	38	130	6625					6.1	24.2
Y12	12	10	10300	38	130	10390					9.4	94.0
Y16	5	4	2100	38	165	1885					3.4	13.4
Y16	16	2	2150	38	165	1890					3.4	6.7
Y16	8	2	2750	38	165	2505					4.3	8.7
Y16	9	4	2700	38	165	2500					4.3	17.3
Y18	13	2	6750	38	165	6475					10.7	21.2
Y16	2	4	6900	38	165	6925					10.9	43.5
Y16	11	10	10300	38	165	10390					18.9	187.8
R10	4	114	1400	60	250	375					0.9	97.5
R10	1	177	1550	60	250	450					1.0	167.7

Total of 347 bars with a mass of 660.3 kg per cast unit.

REV	WORKS DESCRIPTION	DATE
A	STAGE 4.2 ISSUED FOR INFORMATION	2023.03.07

FOR TENDER