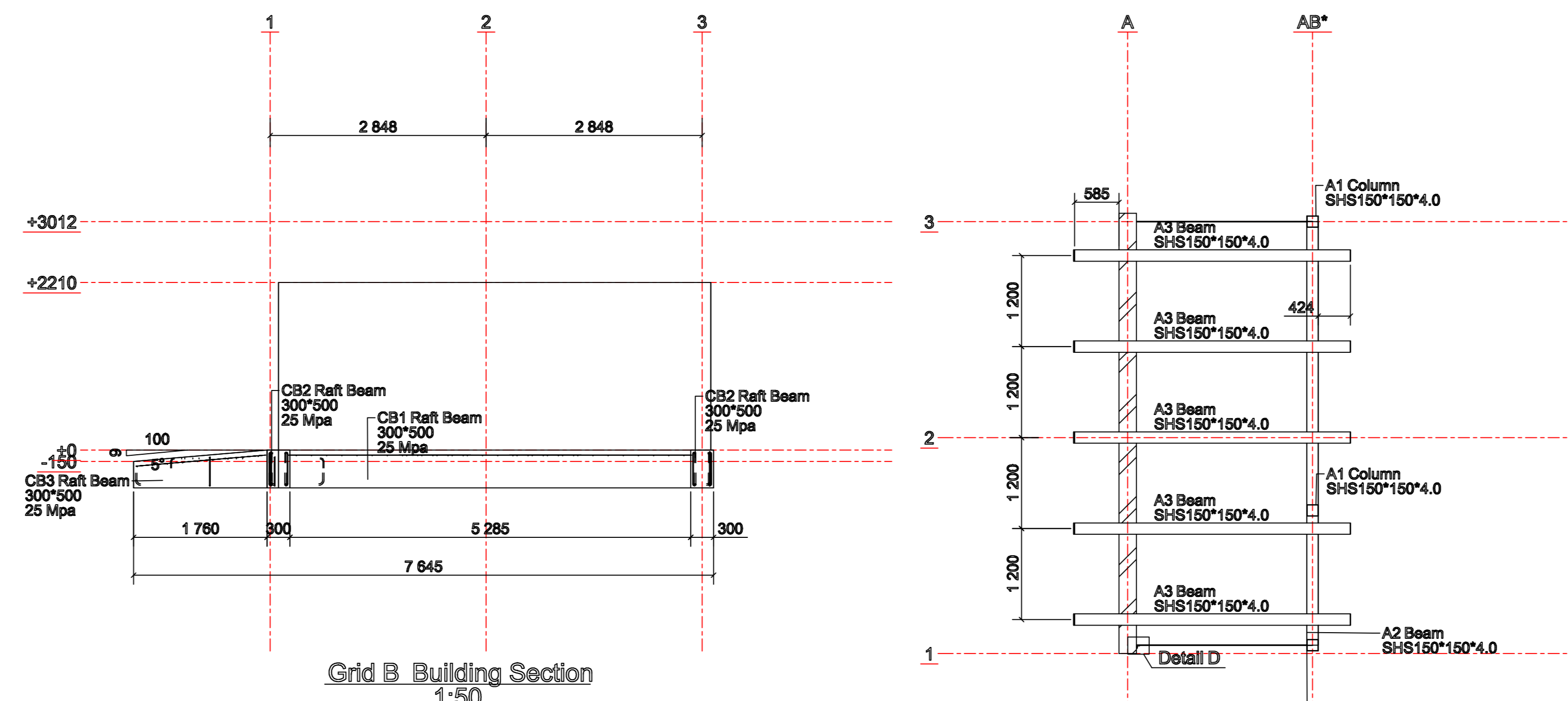


3D View



Grid B Building Section 1:50

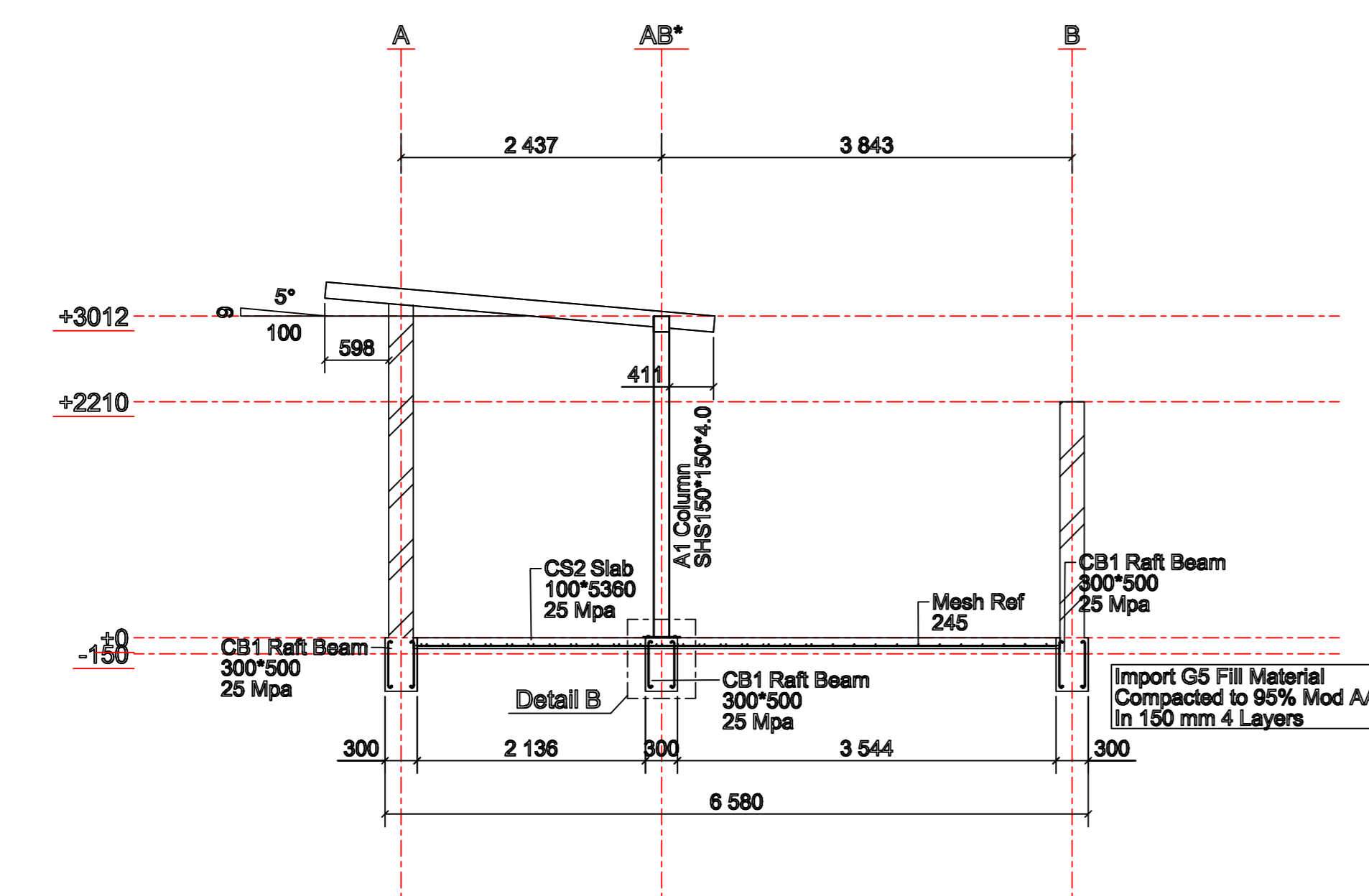
| No | Mark | Grade | Reinforce | Shape   | Length | Units | Area each | Mass each |
|----|------|-------|-----------|---------|--------|-------|-----------|-----------|
| 1  | M3   | W485  | Ref_245   | Polygon | 600    | 1716  | 1.40      | 3.8       |
| 1  | M4   | W485  | Ref_245   | Polygon | 6000   | 1716  | 10.30     | 26.8      |
| 1  | M3   | W485  | Ref_245   | Polygon | 3750   | 2400  | 9.00      | 22.2      |
| 1  | M2   | W485  | Ref_245   | Polygon | 3000   | 2400  | 7.20      | 17.8      |
| 2  | M1   | W485  | Ref_245   | Polygon | 2400   | 2400  | 14.40     | 35.3      |

Total of 6 mesh panels, area of 56.8 m<sup>2</sup> and mass of 139.8 kg.

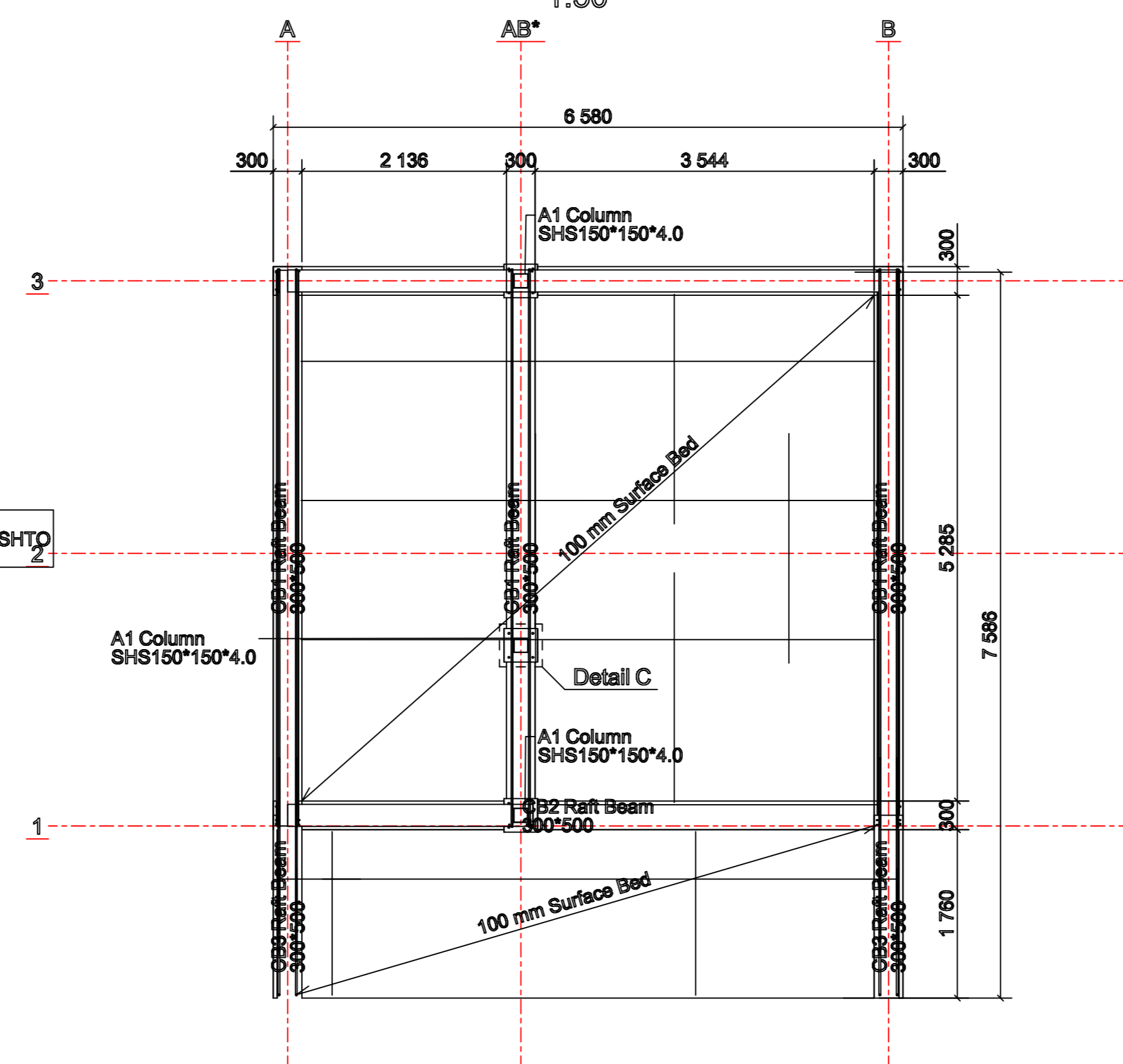
| Type | Ident | No  | Length | Shape | A   | B    | C | D | E | r | r | Mass each | AJ   |
|------|-------|-----|--------|-------|-----|------|---|---|---|---|---|-----------|------|
| Y12  | 12    | 2   | 750    | 20    | 720 |      |   |   |   |   |   | 0.7       | 1.3  |
| Y12  | 9     | 2   | 800    | 20    | 765 |      |   |   |   |   |   | 0.7       | 1.4  |
| Y12  | 13    | 2   | 800    | 37    | 130 | 720  |   |   |   |   |   | 0.8       | 1.5  |
| Y12  | 10    | 2   | 900    | 37    | 130 | 765  |   |   |   |   |   | 0.8       | 1.5  |
| Y12  | 8     | 2   | 1750   | 37    | 130 | 1945 |   |   |   |   |   | 1.6       | 3.1  |
| Y12  | 111   | 2   | 1850   | 37    | 130 | 1730 |   |   |   |   |   | 1.6       | 3.3  |
| Y12  | 3     | 6   | 8000   | 38    | 130 | 6535 |   |   |   |   |   | 5.4       | 12.2 |
| Y12  | 5     | 4   | 8700   | 38    | 130 | 6530 |   |   |   |   |   | 6.0       | 13.9 |
| Y18  | 7     | 4   | 2750   | 38    | 165 | 2465 |   |   |   |   |   | 4.3       | 11.2 |
| Y18  | 2     | 8   | 6100   | 38    | 165 | 6535 |   |   |   |   |   | 9.6       | 21.5 |
| Y18  | 4     | 4   | 8800   | 38    | 165 | 6530 |   |   |   |   |   | 10.7      | 24.7 |
| R10  | 6     | 8   | 1450   | 60    | 250 | 390  |   |   |   |   |   | 0.8       | 6.9  |
| R10  | 11    | 109 | 1500   | 60    | 250 | 450  |   |   |   |   |   | 1.0       | 10.3 |

Total of 153 bars with a mass of 295.7 kg per cast unit.

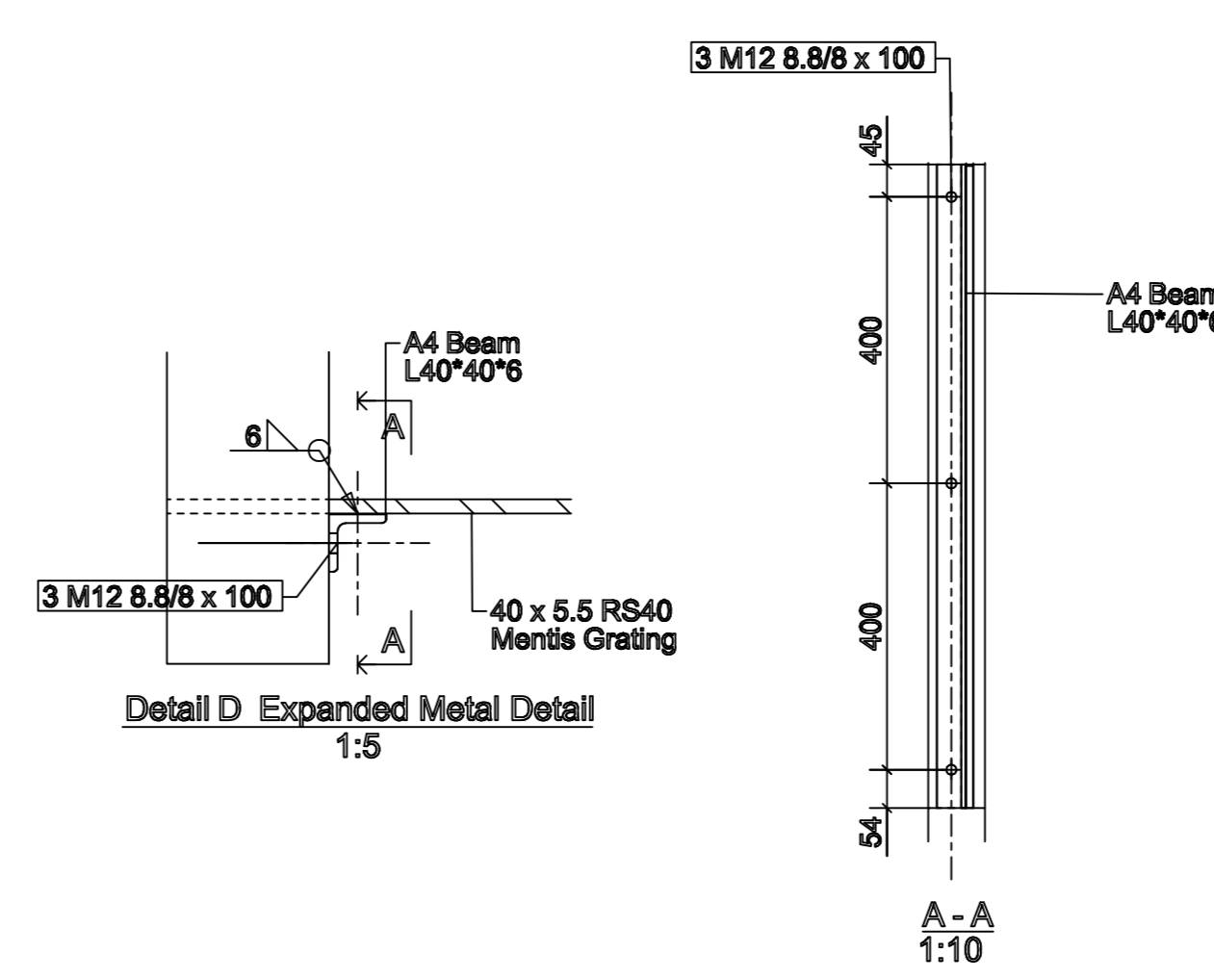
| Mat. No.  | Grade | Shape          | Length   | Units  | Area each                    | Mass each |
|---|-------|----------------|--|--|------------------------------|-----------|
| PA1   | 1     | PL12*360       | SSQR   | 2437   | 4.0                          | 173.9     |
| Sub-tot for 1 assembly  |       |                |  |  |                              |           |
| Total for these 2 assemblies  |       |                |  |  |                              |           |
| Material list for 1 Column assembly marked A1 - a total of 3 required |       |                |  |  |                              |           |
| Mat. No.  | Grade | Shape          | Length <td>Units <td>Area each <td>Mass each</td> </td></td> | Units <td>Area each <td>Mass each</td> </td> | Area each <td>Mass each</td> | Mass each |
| M1  | 1     | SHS150*150*4.0 | SSQR   | 300  | 1.8                          | 54.9      |
| P1  | 1     | PL12*360       | SSQR   | 350  | 0.3                          | 11.5      |
| Sub-tot for 1 assembly  |       |                |  |  |                              |           |
| Total for these 3 assemblies  |       |                |  |  |                              |           |
| Material list for 1 Beam assembly marked A4 - only 1 required         |       |                |  |  |                              |           |
| Mat. No.  | Grade | Shape          | Length <td>Units <td>Area each <td>Mass each</td> </td></td> | Units <td>Area each <td>Mass each</td> </td> | Area each <td>Mass each</td> | Mass each |
| A4  | 1     | L40*40*6       | SSQR   | 88   | 0.1                          | 3.2       |
| Sub-tot for 1 assembly  |       |                |  |  |                              |           |
| Total for this 1 assembly   |       |                |  |  |                              |           |
| Material list for 1 Beam assembly marked A3 - a total of 5 required   |       |                |  |  |                              |           |
| Mat. No.  | Grade | Shape          | Length <td>Units <td>Area each <td>Mass each</td> </td></td> | Units <td>Area each <td>Mass each</td> </td> | Area each <td>Mass each</td> | Mass each |
| A3  | 1     | SHS150*150*4.0 | SSQR   | 260  | 2.1                          | 69.3      |
| Sub-tot for 1 assembly  |       |                |  |  |                              |           |
| Total for these 5 assemblies  |       |                |  |  |                              |           |
| Material list for 1 Beam assembly marked A2 - only 1 required         |       |                |  |  |                              |           |
| Mat. No.  | Grade | Shape          | Length <td>Units <td>Area each <td>Mass each</td> </td></td> | Units <td>Area each <td>Mass each</td> </td> | Area each <td>Mass each</td> | Mass each |
| A2  | 1     | SHS150*150*4.0 | SSQR   | 355  | 3.3                          | 102.2     |
| Sub-tot for 1 assembly  |       |                |  |  |                              |           |
| Total for this 1 assembly   |       |                |  |  |                              |           |



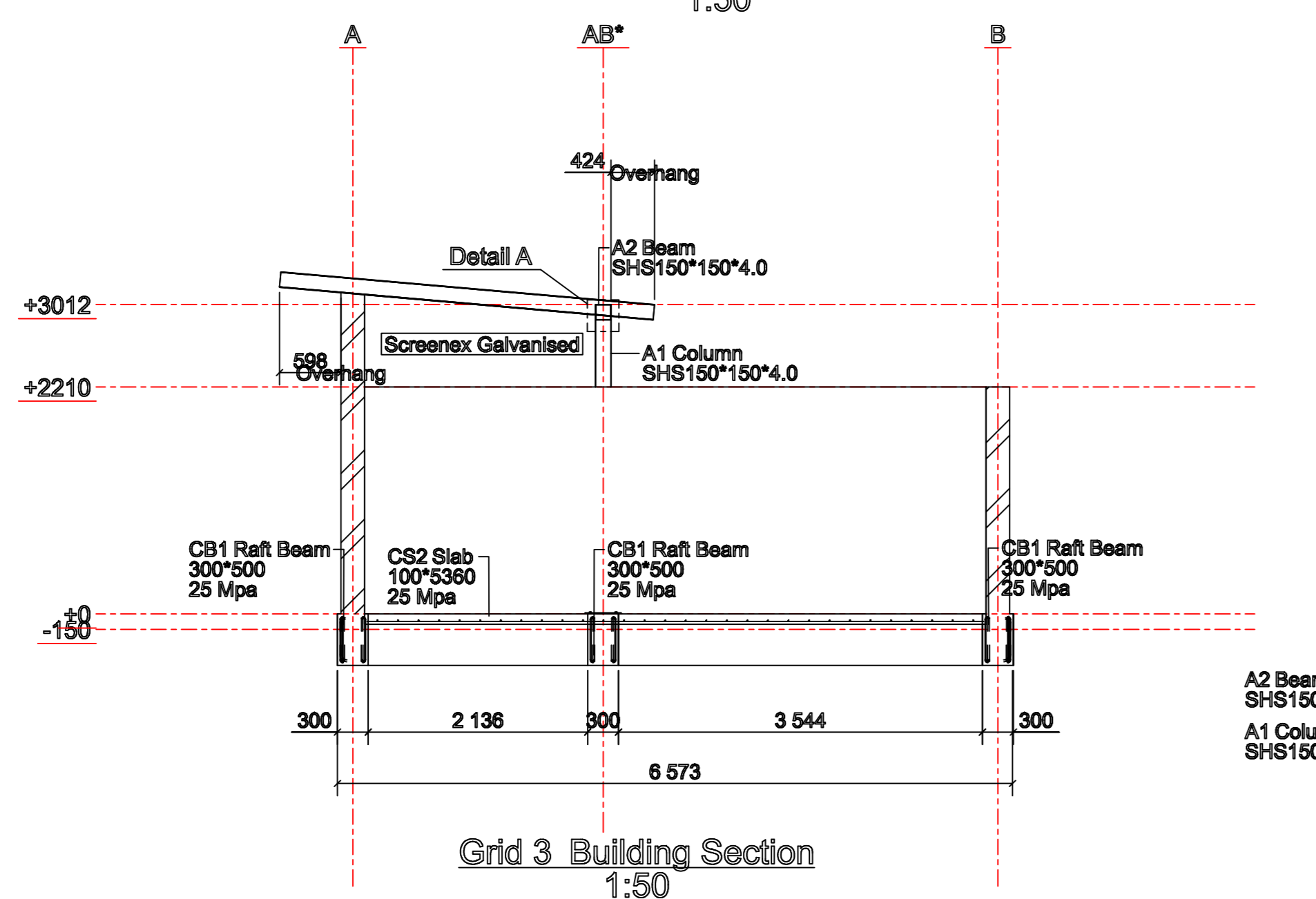
Grid 2 Building Section 1:50



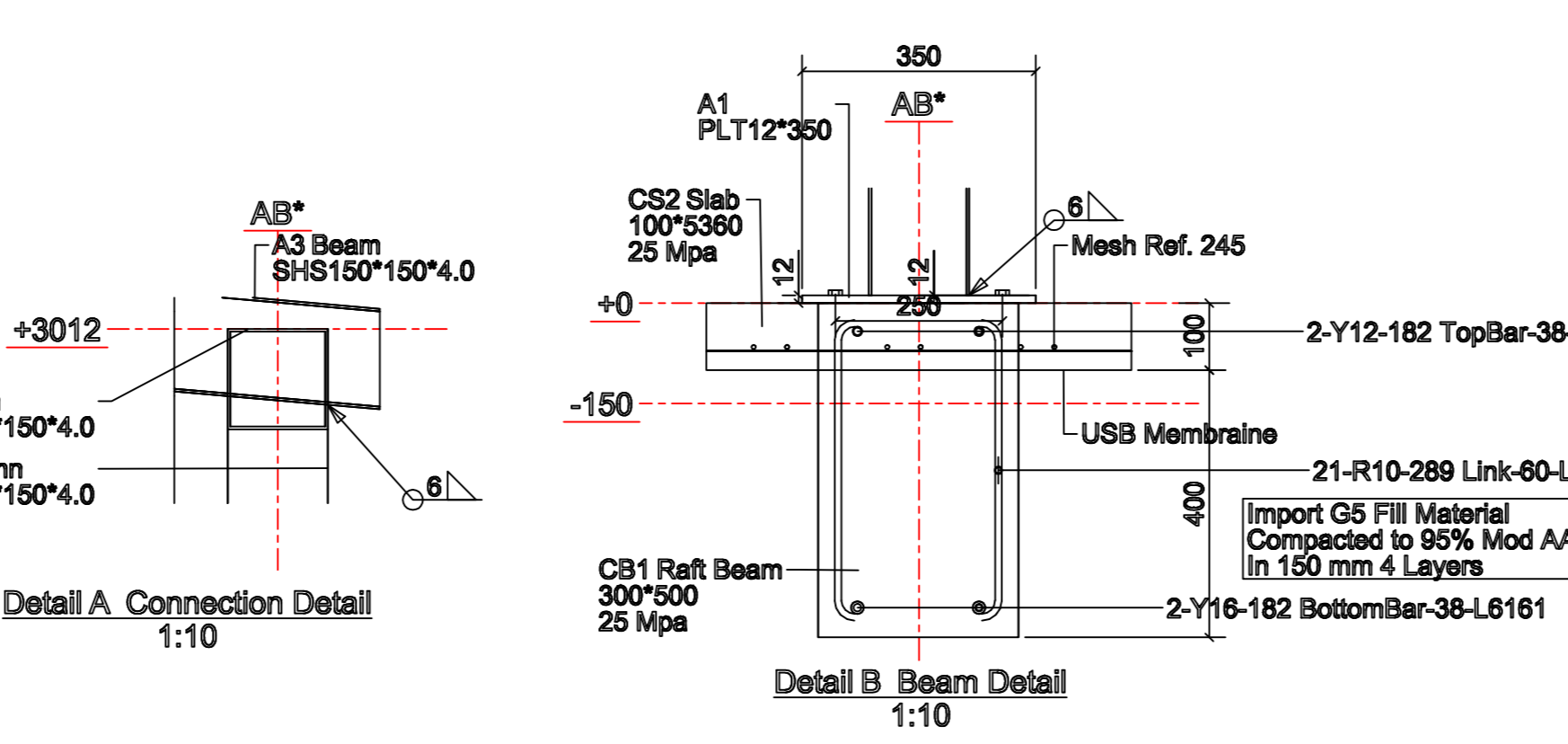
Plan +0 Raft Foundation Layout 1:50



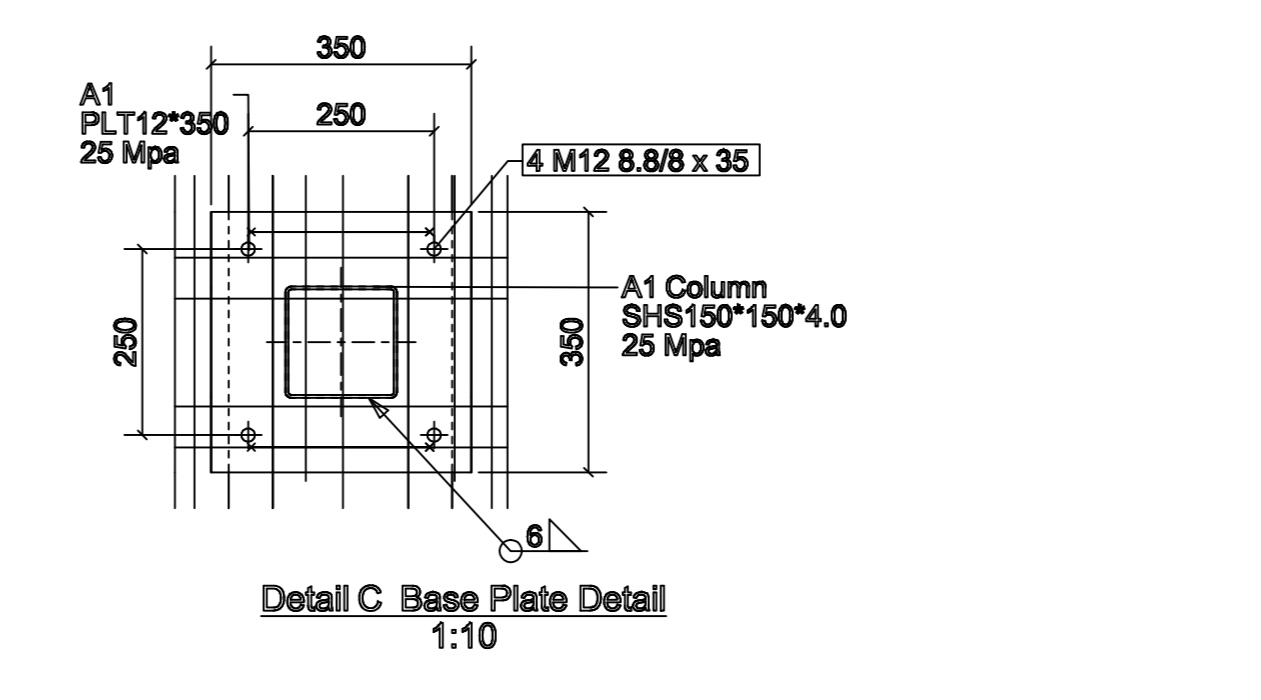
Detail D Expanded Metal Detail 1:5



Grid 3 Building Section 1:50



Detail B Beam Detail 1:10



Detail C Base Plate Detail 1:10

| REV | DESCRIPTION                      | DATE       |
|-----|----------------------------------|------------|
| A   | STAGE 4.2 ISSUED FOR INFORMATION | 2025.02.07 |

FOR TENDER