

1

2

3

4

A

A

B

B

C

C

D

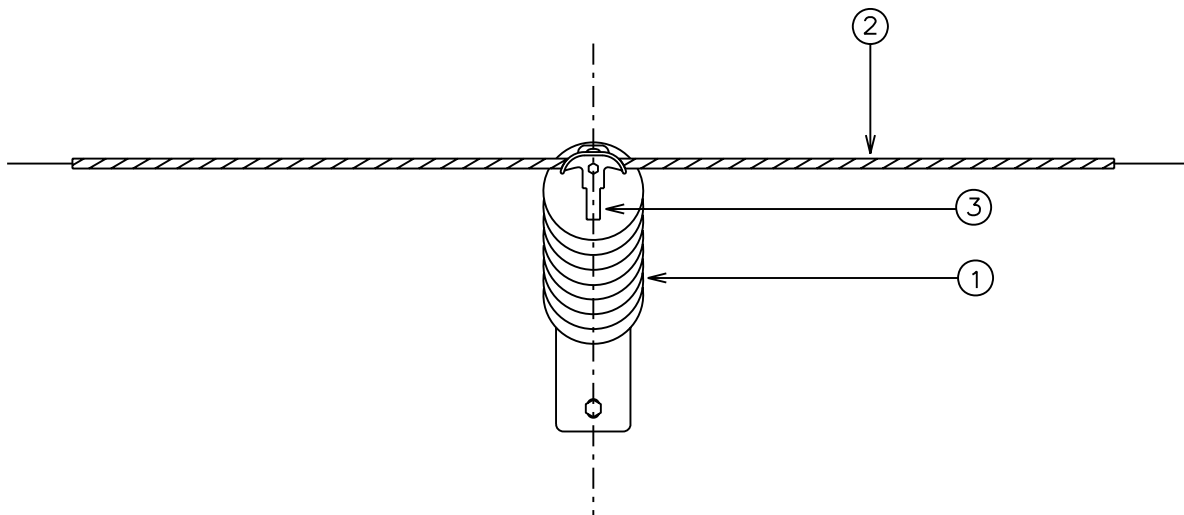
D

E

E

F

F



LINE POST INSULATOR INTERMEDIATE ASSEMBLY  
(TRUNION 0 DEGREE DEVIATION)

REF	DESCRIPTION	DRAWING NO.				
1	LINE POST INSULATOR	D-DT-7013				
2	ARMOR ROD	D-DT-7034				
3	TRUNION CLAMP	D-DT-7010				
3	RETICULATION REMOVED AND DISTRIBUTION TECHNOLOGY REMOVED FROM TITLE BLOCK	P.A.T.	S. MASHABA	02.03.'09		
2	DRAWING SHEET UPDATED	SLR	RAB	AB	JAN 2004	
REV	REVISION DESCRIPTION	BY	CHKD	AUTH	DATE	PROJECT NO.



AUTH: A BEKKER

DATE: JAN 2004

CHKD: RAB

DATE: JAN 2004

DRAWN: LMP

DATE: APRIL 2000

DISTRIBUTION TECHNOLOGY  
SUB-TRANSMISSION LINES  
ASSEMBLY AND INTERMEDIATE DRAWINGS  
INTERMEDIATE SUSPENSION ASSEMBLY

D-DT-7321

SET

SHEET

REVISION

1

1

3

1

2

3

4 A4L