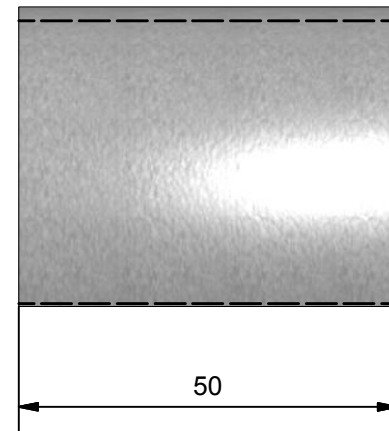
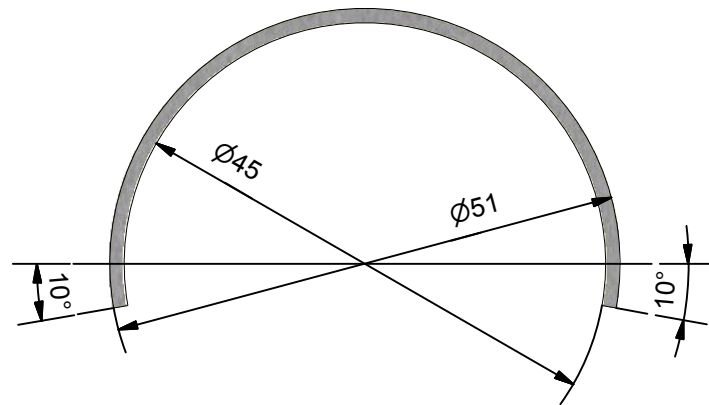
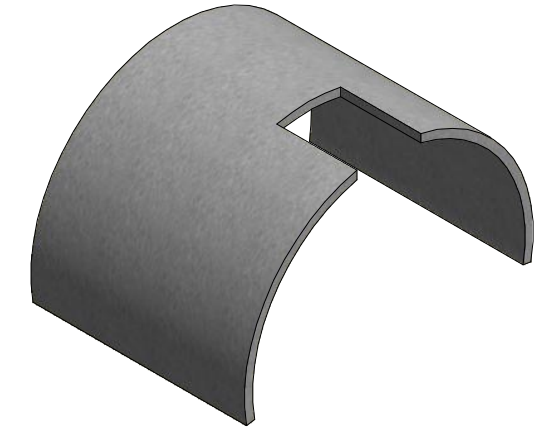
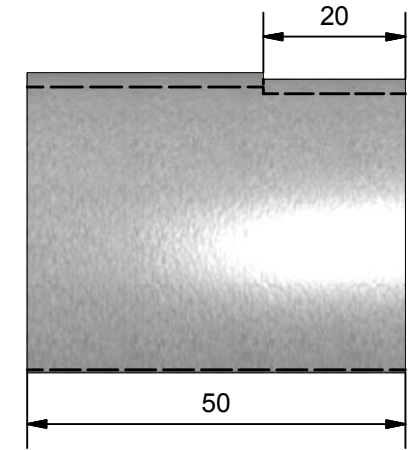
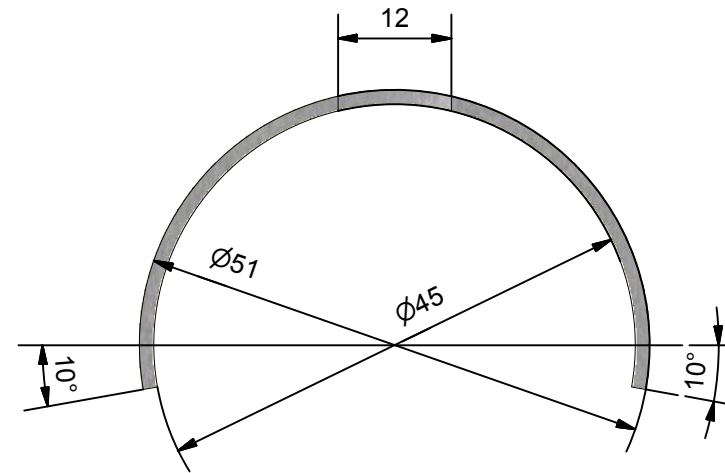



PLAIN BANGLE 44.5mm ID



SLOTTED BANGLE 44.5mm ID



MAT FLOW	STOCK NO	MATERIAL	O/D	WT	MIN'T	DESCRIPTION
N/A	N/A	310 STAINLESS STEEL	50.5	3	N/A	SHIELD BANGLE

THIS DRAWING IS NOT TO BE USED FOR MANUFACTURING				ELEMENT#	TUBE#	LATEST REV:	ESKOM DWG REF: N/A
				N/A	N/A	A	
THIS DRAWING IS THE PROPERTY OF ESKOM. IT MAY ONLY BE ALTERED BY THE CARAB TEKNIVA GROUP. CONTROLLED REVISIONS ARE ADMINISTERED BY CARAB TEKNIVA GROUP.							A3
DRAWN BY:	MB PRETORIUS	28/08/2013	TITLE: 44.5mm SHIELD BANGLE		 CARAB TEKNIVA GROUP		
CHECKED BY:	CPJ ROOS	28/07/2014	Tutuka Power Station				
APPROVED BY:	J.O MEKGWE		SCALE: NTS	CARAB DWG NO: TUT-PP-GEN-109			