



**EASTERN CAPE PROVINCE
DEPARTMENT OF EDUCATION**

REQUEST FOR BID

FOR

8GB or Higher

EMIS NO: 200300134

DISTRICT: CHRIS HANI EAST

SCMU6-24/25-0007

Consisting of: Three Volumes

BIDDER:

CRS NO:

Compiled for:

SUPPLY CHAIN MANAGEMENT
Eastern Cape Department of Education
Steve Tshwete Complex, Zone 6
ZWELITSHA
5608
Website: www.edu.ecprov.gov.za

Compiled by:

**EASTERN CAPE DEPARTMENT OF
EDUCATION INFRASTRUCTURE DELIVERY**
Eastern Cape Department of Education
Steve Tshwete Complex, Zone 6
ZWELITSHA
5608
Website: www.edu.ecprov.gov.za

**APRIL 2024
PNO: P901364**

VOLUME 3 OF 3



VOLUME 3 OF 3

THE CONTRACT

**NEC 3 Engineering and Construction Contract Option A:
Priced Contract with Activity Schedule of April 2013
(including amendments).**

TENDER NO. SCMU6-24/25-0007

**THE APPOINTMENT OF A CONTRACTOR(TURNKEY) TO PROVIDE ADDITIONAL
CLASSROOM AT MTHINGWEVU SSS, EASTERN CAPE**

TABLE OF CONTENTS

Notes:

The Tender Document must be submitted as a whole. All forms must be properly completed as required and the document shall not be taken apart or altered in any way whatsoever.

All forms must be duly completed in **black ink** as required.

The list of returnable documents, which consists of forms and schedules to be completed and company specific certificates and information pages to be attached, comprise the following:

Document Reference	Title	Page
C1:	AGREEMENT AND CONTRACT DATA	4
C1.1	FORM OF OFFER AND ACCEPTANCE	5
C1.2	CONTRACT DATA	9
	PART ONE – DATA PROVIDED BY THE EMPLOYER	10
	PART TWO – DATA PROVIDED BY CONTRACTOR	33
C1.3 :	PERFORMANCE GUARANTEE	35
C2 :	PRICING DATA	40
C2.1 :	PRICING ASSUMPTIONS – OPTION A	41
C2.2 :	PRICING INSTRUCTIONS	43
C2.3 :	ACTIVITY SCHEDULE	44
C2.4 :	AMENDMENTS, QUALIFICATIONS & ALTERNATIVES	45
C3 :	SCOPE OF WORK	46
C3.1 :	EMPLOYERS WORKS INFORMATION	47
C3.2 :	CONTRACTORS WORKS INFORMATION	48
C3.3 :	PARTICULAR SPECIFICIATIONS	51
C3.4 :	DRAWINGS	52
C4 :	SITE INFORMATION	53
C4.1 :	LOCALITY PLAN	54



THE CONTRACT

- C1 : AGREEMENT AND CONTRACT DATA**
- C2 : PRICING DATA**
- C3 : SCOPE OF WORK**
- C4 : SITE INFORMATION**



PART 1: AGREEMENT AND CONTRACT DATA

1. Contract 1 – THE APPOINTMENT OF A CONTRACTOR(TURNKEY) TO PROVIDE ADDITIONAL CLASSROOM AT MTHINGWEVU SSS, EASTERN CAPE

2. NEC 3 Engineering and Construction Contract Option A: Priced Contract with Activity Schedule of April 2013 (including amendments).

Document reference	Title	No of pages
C1.1	Form of Offer and Acceptance	4
C1.2	Contract Data	1
	Part One – Data provided by the <i>Employer</i>	22
	Part Two – Data provided by the <i>Contractor</i>	2
C1.3	Performance Guarantee	4
	Total number of pages	33



C1.1 FORM OF OFFER AND ACCEPTANCE

C1.1.1 Offer

The Employer, identified in the acceptance signature block, has solicited offers to enter a contract for the procurement of: **TENDER No: SCMU6-24/25-0007 – THE APPOINTMENT OF A CONTRACTOR(TURNKEY) TO PROVIDE ADDITIONAL CLASSROOM AT MTHINGWEVU SSS, EASTERN CAPE**

The tenderer, identified in the offer signature block, has examined the documents listed in the tender data and addenda thereto as listed in the returnable schedules, and by submitting this offer has accepted the conditions of tender.

By the representative of the tenderer, deemed to be duly authorized, signing this part of this form of offer and acceptance, the tenderer offers to perform all of the obligations and liabilities of the service provider under the contract including compliance with all its terms and conditions according to their true intent and meaning for an amount to be determined in accordance with the conditions of contract identified in the contract data.

The offered total of the Prices exclusive of VAT is	R
Sub total	R
Value Added Tax @ 15% is	R
The offered total of the amount due inclusive of VAT is ¹	R
(in words)	

This Offer may be accepted by the Employer by signing the Acceptance part of this Form of Offer and Acceptance and returning one copy of this document to the tenderer before the end of the period of validity stated in the Tender Data or issue a conditional Letter of Acceptance subject to certain conditions which must be fulfilled prior to final acceptance and signing of the acceptance part of this form, whereupon the tenderer becomes or may become the party named as the *Contractor* in the *Conditions of Contract* identified in the Contract Data.

Signature(s)

Name(s)

Capacity

For the tenderer:

Name of Tenderer

Address of Tenderer

Name of witness

Signature of witness Date

C1.1 FORM OF OFFER AND ACCEPTANCE (Continued)

C1.1.2 Acceptance

By signing this part of this form of offer and acceptance, the Employer identified below accepts the tenderer's offer. In consideration thereof, the Employer shall pay the service provider the amount due in accordance with the conditions of contract identified in the contract data. Acceptance of the tenderer's offer shall form an agreement between the Employer and the tenderer upon the terms and conditions contained in this agreement and in the contract that is the subject of this agreement.

The terms of the contract, are contained in:

- Part C1: Agreements and Contract Data, (which includes this Form of Offer and Acceptance)
- Part C2: Pricing data
- Part C3: Scope of work.
- Part C4: Site information

and the schedules, forms, drawing and documents or parts thereof, which may be incorporated by reference into Parts 1 to 4 above.

Deviations from and amendments to the documents listed in the Tender Data and any addenda thereto listed in the Tender Schedules as well as any changes to the terms of the Offer agreed by the Tenderer and the Employer during this process of offer and acceptance, are contained in the Schedule of Deviations attached to and forming part of this Agreement. No amendments to or deviations from said documents are valid unless contained in this Schedule, which must be duly signed by the authorized representatives of both parties.

The tenderer shall within two weeks after receiving a completed copy of this agreement, including the schedule of deviations (if any), or the date specified in the conditional Letter of Acceptance, whichever date is the earliest, contact the Employer's representative (whose details are given in the contract data or Letter of Acceptance) to arrange the delivery of any securities, bonds, guarantees, proof of insurance and any other documentation to be provided in terms of the conditions of contract identified in the contract data or Letter of Acceptance. Failure to fulfil any of these obligations in accordance with those terms shall constitute a repudiation of this agreement and the Employer may in its sole discretion accept such repudiation and either appoint one of the other tenderers or cancel the tender and re-issue it.

Notwithstanding anything contained herein, this Agreement comes into effect on the date when the Tenderer receives one fully completed original copy of this document, including the Schedule of Deviations (if any). Unless the Tenderer (now Contractor) within five days of the date of such receipt or the conditional Letter of Acceptance notified the Employer in writing of any reason why he cannot accept the contents of this Agreement, this Agreement shall constitute a binding contract between the parties.

Signature(s)

Name(s)

Capacity

.....

.....

.....

.....

**for the
Employer**

Department of Education Infrastructure Delivery
Eastern Cape Department of Education
Steve Tshwete Complex, Zone 6
ZWELITSHA
5608

Name of witness

Signature of witness Date

Schedule of Deviations

The extent of deviations from the Tender documents issued by the Employer prior to the Tender closing date is limited to those permitted in terms of the Tender Data and the Conditions of Tender.

A Tenderer’s covering letter will not necessarily be included in the final contract document. Should any matter in such letter, which constitutes a deviation as aforesaid becomes the subject of agreements reached during the process of offer and acceptance, the outcome of such agreement shall be recorded here.

(Any cover letter must be referenced here if applicable, or it will not be valid as part of this submission).

Any other matter arising from the process of offer and acceptance either as a confirmation, clarification or change to the Tender documents and which it is agreed by the Parties becomes and obligation of the contract shall also be recorded here.

Any change or addition to the Tender documents arising from the above agreements and recorded here shall also be incorporated in to the final Contract.

- 1 Subject
- Details
-
-
- 2 Subject
- Details
-
-
- 3 Subject
- Details
-
-
- 4 Subject
- Details
-
-
- 5 Subject
- Details
-
-

By the duly authorized representatives signing this Schedule of Deviations, the Employer and the Tenderer agree to and accept the foregoing Schedule of Deviations as the only deviations from the amendments to the documents listed in the Tender Data and addend thereto as listed in the Tender Schedules, as well as any confirmation, clarification or change to the terms of the offer agreed by the Tenderer and the Employer during this process of offer and acceptance.

It is expressly agreed that no other matter whether in writing, oral communication or implied during the period between the issue of the Tender documents and the receipt by the Tenderer of a completed signed copy of this Agreement shall have any meaning or effect in the contract between the parties arising from this Agreement.

For the Tenderer:

Signature(s)

Name(s)

Capacity

Name of Tenderer

Address of Tenderer

.....

Name of witness

Signature of witness Date

For the Employer:

Signature(s)

Name(s)

Capacity

Name of Employer: Eastern Cape Department of Education

Address of Employer Steve Tshwete Complex, Zone 6

Name of witness

Signature of witness Date

C1.2 CONTRACT DATA

Document reference	Title	No of pages
C1.2	Contract Data	
	Part One – Data provided by the <i>Employer</i>	22
	Part Two – Data provided by the <i>Contractor</i>	2
C1.3	Performance Guarantee	4
	Total number of pages	28

Part One - Data provided by the Employer

[Instructions to the contract compiler: (delete these two notes in the final draft of a contract)]

1. Please read the relevant clauses in the conditions of contract before you enter data. The number of the clause which requires the data is shown in the left hand column for each statement however other clauses may also use the same data.
2. Whenever a cell is shaded in the left hand column it denotes this data is optional and would be required in relation to the option selected. In the event that the option is not required select and delete the whole row. Where the following symbol is used “[●]” - data is required to be inserted relevant to the specific option selected.

Completion of the data in full, according to the Options chosen, is essential to create a complete contract.

Clause	Statement	Data
1	General	
	The <i>conditions of contract</i> are the core clauses and the clauses for main Option	
		A: Priced contract with activity schedule
	dispute resolution Option	
		W1: Dispute resolution procedure
	and secondary Options	
		X2: Changes in the law
		X7: Delay damages
		X13: Performance Bond
		X15: Limitation of the Contractor's liability for his design to reasonable skill and Care.

		X16: Retention
		X17: Low Performance Damages
		X18: Limitation of liability
		Z: Additional conditions of contract
	of the NEC3 Engineering and Construction Contract, April 2013 (ECC3)	
10.1	The Employer is:	Department of Education (Doe) Infrastructure Delivery Eastern Cape Department of Education
	Address:	Steve Tshwete Complex Zone 6, ZWELITSHA
	Represented by:	To be indicated at contracting
	Tel No.	To be indicated at contracting
	Fax No.	To be indicated at contracting
10.1	The Procurement Contact Official:	Pakamile Nxozana
	Address:	Steve Tshwete Complex Zone 6, ZWELITSHA
	Tel No.	To be indicated at contracting
	e-mail:	To be indicated at contracting
10.1	The Supervisor is:	To be indicated at contracting
	Address:	Steve Tshwete Complex Zone 6, ZWELITSHA

	Tel No.	To be indicated at contracting					
	Fax No.	To be indicated at contracting					
	e-mail:	To be indicated at contracting					
11.2(13)	The <i>activity</i> is	the planning, designing, construction and commissioning of Mthingwevu SSS, Eastern Cape					
11.2(14)	The following matters will be included in the Risk Register	<ul style="list-style-type: none"> - Compliance with tender requirements - Access to Site 					
11.2(15)	The <i>boundaries of the site</i> are	As per the locations indicated.					
11.2(16)	The Site Information is in	Part 4: Site Information					
11.2(19)	The Works Information is in	Part 3: Scope of Work.					
12.2	The <i>law of the contract</i> is the law of	the Republic of South Africa					
13.1	The <i>language of this contract</i> is	English					
13.3	The <i>period for reply</i> is	5 days					
2	The Contractor's main responsibilities	Turn-key as per the scope of work					
3	Time						
11.2(3)	The <i>completion date</i> for the whole of the <i>works</i> is	The planning, design, construction and commissioning of Mthingwevu SSS, Eastern Cape to be completed in 24 months from starting date.					
30.1	The <i>access dates</i> are	<table border="0" style="width: 100%;"> <tr> <td style="width: 50%;">Part of the site</td> <td style="width: 50%;">Date</td> </tr> <tr> <td colspan="2">Upon Letter of Award</td> </tr> </table>		Part of the site	Date	Upon Letter of Award	
Part of the site	Date						
Upon Letter of Award							
30.3	The <i>key dates</i> and <i>conditions</i> to be met are	<i>condition</i> to be met	<i>key date</i>				

		Site establishment	November 2024
		Completion	November 2026
31.1	The <i>Contractor</i> is to submit a first programme for acceptance within	2 weeks of the Contract Date.	
31.2	The <i>starting date</i> is	Receipt of Letter of Award	
32.2	The <i>Contractor</i> submits revised programmes at intervals no longer than	2 weeks	
4	Testing and Defects		
42.2	The <i>defects date</i> is	3 months after [Completion of the whole of the <i>works</i>]	
43.2	The <i>defect correction period</i> is	2 days	
5	Payment		
50.1	The <i>assessment interval</i> is	20th of each month	
51.1	The <i>currency of this contract</i> is the	South African Rand	
51.4	The <i>interest rate</i> is	Interest rate legislation: (a) in respect of interest owed by the employer , the interest rate as determined by the Minister of Justice and Constitutional Development from time to time, in terms of section 1(2) of the Prescribed Rate of Interest Act, 1975 (Act No. 55 of 1975), will apply; and (b) in respect of interest owed to the employer , the interest rate as determined by the Minister of Finance, from time to time, in terms of section 80(1)(b) of the Public Finance Management Act, 1999 (Act No. 1 of 1999), will apply	
6	Compensation events		
60.1(13)	The place where weather is to be recorded is	On the site as part 4	



The *weather measurements* to be recorded for each calendar month are:

- the cumulative rainfall (mm);
- the number of days with rainfall of more than 10mm;
- the number of days with minimum air temperature less than 0 degrees Celsius;
- the number of days with snow lying at **+2** hours GMT;
- and these measurements:

	The <i>weather measurements</i> are supplied by	Contractor and verified with closest weather station to site.
	The weather data are the records of the past <i>weather measurements</i> for each calendar month which were recorded at	On the site as per Part 4 below
60.1(13)	Where no recorded data are available:- assumed values for the ten year return <i>weather data</i> for each <i>weather measurement</i> for each calendar month are:	<ul style="list-style-type: none"> • the cumulative rainfall (mm); • the number of days with rainfall of more than 10mm; • the number of days with minimum air temperature less than 0 degrees Celsius; • the number of days with snow lying at +2 hours GMT; • and these measurements:
8	Risks and insurance	
80.1	These are additional <i>Employer's</i> risks	N/A
84.1	The <i>Contractor</i> provides these additional insurances: guide: lateral support if applicable, professional indemnity if contractor does design, SASRIA or any other insurance identified but not in table at cl 84.2.	<ol style="list-style-type: none"> 1. The supplementary insurance is required. Such insurance shall comprise a Coupon Policy for Special Risks issued by the South African Special Risk Insurance Association. (SASRIA). 2. Public liability insurance to be effected by the contractor for the sum of R5 000 000.00 (Five Million Rand) per event with a deductible in an amount that the contractor deems appropriate. 3. Professional Indemnity for the sum of R 5 000 000.00 (Five million rand) per discipline claim in respect of Contractors/Professional Team design liability.
84.1	The <i>Employer</i> provides these insurances from the Insurance Table:	None
84.1	The <i>Employer</i> provides these additional insurances:	Nil
84.2	If the Employer is to provide Plant and Materials:- the insurance against loss of or damage to the <i>works</i> , Plant and Materials is to include cover for Plant and Materials provided by the Employer for an amount of	Zero

84.2	Insurance against loss of or damage to the <i>works</i> , Plant and Materials, without limitation on the number of claims	Insured sum is the total of the Prices plus 20%
84.2	The minimum limit of indemnity for insurance in respect of loss of or damage to property (except the <i>works</i> , Plant, Materials and Equipment) and liability for bodily injury to or death of a person (not an employee of the <i>Contractor</i>) caused by activity in connection with this contract for any one event is, without limiting the number of claims.	Public liability insurance to be effected by the contractor for the sum of R5 000 000.00 (Five Million Rand) per event with a deductible not exceeding 5% of each and every claim
84.2	The minimum limit of indemnity for insurance in respect of death of or bodily injury to employees of the <i>Contractor</i> arising out of and in the course of their employment in connection with this contract for any one event is	as prescribed by the Compensation for Occupational Injuries and Diseases Act No. 130 of 1993 and the <i>Contractor's</i> common law liability for people falling outside the scope of the Act with a limit of Indemnity of not less than ZAR500 000 (Five hundred thousand Rands).
DATA FOR MAIN OPTION CLAUSES		
Option A	Option A: Priced Contract with <i>activity schedule</i>	There is no reference to Contract Data in this Option A and terms in italics are identified elsewhere in this Contract Data.
W1	Data for Option W1	
W1.1	The <i>Adjudicator</i> is (Name)	to be appointed as needed, see W1.2(3) below
W1.2(3)	The <i>Adjudicator nominating body</i> is:	The Party, which raises the dispute, shall select three adjudicators from the panel of adjudicators published by the South African Institution of Civil Engineering and/or Association of Arbitrators Southern Africa depending upon the technical or legal issues and nature of the dispute, determine their hourly fees and confirm that these adjudicators are available to adjudicate the dispute in question. The other Party shall then select, within seven (7) days, one of the three (3) nominated adjudicators to act as the adjudicator; failing which the chairperson for the time being of the Association of Arbitrators Southern Africa shall nominate an adjudicator on request from either party.
W1.4(2)	The <i>tribunal</i> is:	Arbitration, arbitrator to be appointed as required.

W1.4(5)	The <i>arbitration procedure</i> is	the latest edition of Rules for the Conduct of Arbitrations published by The Association of Arbitrators Southern Africa or its successor body.
	The place where arbitration is to be held is	South Africa, East London Eastern Cape
	The person or organisation who will choose an arbitrator - if the Parties cannot agree a choice or - if the arbitration procedure does not state who selects an arbitrator, is	the Chairman for the time being or his nominee of the Association of Arbitrators Southern Africa or its successor body on application of either party.
DATA FOR SECONDARY OPTION CLAUSES		
X7	Delay damages	
	Delay damages for Completion of the whole of the <i>works</i> are	<p>The penalty per calendar day shall be calculated as per the current formula of penalty calculation by the Department of Public works up to a maximum of 10% of the contract value. Thereafter, the employer shall have a right during the identified delay period to intervene and accelerate the work or appoint a third party to assist or complete the works to reach practical completion at the planned period. The cost of the appointed third party work shall be borne by the contractor.</p> <p>EXAMPLE</p> <p>Estimated contract value = R2 500 000 (excluding VAT)</p> <p>Contract period = 6 months</p> <p style="padding-left: 40px;">=R2 500 000 X0.0575/100</p> <p style="padding-left: 40px;">= R1437-50/day</p> <p>Therefore rounded off to the nearest R10-00 = R1440-00/day.</p> <p>To a maximum of 10% of the total of prices.</p>
X13	Performance Bond	
	The amount of the performance bond is	being a Guarantee issued by a registered entity approved by the <i>Employer</i> – fixed at ten percent (10%) of the contract Price at Contract Date, reducing to five percent (5%) of the contract Price when the <i>Contractor</i> achieves Completion and expires 1 month after the <i>defects date</i> .

X16	Retention									
	The <i>retention free</i> amount is	0%								
	The <i>retention percentage</i> is	5%								
X17	Low performance damages									
	The amounts for low performance damages are	<table border="1"> <thead> <tr> <th>amount</th> <th>performance level for</th> </tr> </thead> <tbody> <tr> <td></td> <td></td> </tr> <tr> <td></td> <td></td> </tr> <tr> <td></td> <td></td> </tr> </tbody> </table>	amount	performance level for						
amount	performance level for									
X18	Limitation of liability									
	The <i>Contractor's</i> liability to the <i>Employer</i> for indirect or consequential loss is limited to:	R0.00 (zero Rand)								
	For any one event, the <i>Contractor's</i> liability to the <i>Employer</i> for loss of or damage to the <i>Employer's</i> property is limited to:	cost for loss or damaged incurred by the <i>Employer</i>								
	The <i>Contractor's</i> liability for Defects due to his design which are not listed on the Defects Certificate is limited to	cost of the repair or reinstatement of property to original standard.								
	The <i>Contractor's</i> total liability to the <i>Employer</i> for all matters arising under or in connection with this contract, other than excluded matters, is limited to:	total of the Prices as at the start date as adjusted in terms of X1 if X1 applies to the contract								
	The <i>end of liability date</i> is	For latent defects 60 months after the Completion of the whole of the <i>works</i> .								
X20	Key Performance Indicators	Not Applicable								
	The <i>incentive schedule</i> for Key Performance Indicators is in	NA								
	A report of performance against each Key Performance Indicator is provided at intervals of	Every 2 weeks								

PART A – Additional Definitions

Clause	Amendment
---------------	------------------

<p>11.2 Identified defined terms</p> <p style="text-align: center;">and</p>	<p>Add the following new definition as clause 11.2(34):</p> <p>“Baseline Risk Assessment means the baseline risk assessment contemplated in regulation 5(1)(a) of the Construction Regulations.”</p> <p>Add the following new definition as clause 11.2(35):</p> <p>"Construction Agent means an “agent” as per the Construction Regulations which means a competent person who acts as a representative for a client (“client” in this regard being the Employer); the agent contemplated herein: (i) manages the health and safety on a construction project for the client; (ii) is registered with a statutory body (being the South African Council for Project and Construction Management Professions or any other statutory body approved by the chief inspector); and (iii) is qualified to perform the functions required by the Construction Regulations 2014”;</p> <p>Add the following new definition as clause 11.2(36):</p> <p>“Construction Safety Officer means the construction safety officer as defined in the Construction Regulations.”</p> <p>Add the following new definition as clause 11.2(37):</p> <p>“Construction Regulations means the Construction Regulations as defined in clause 27.4.2 below”</p> <p>Add the following new definition as clause 11.2(38):</p> <p>“A Contractor Insolvency Event means and is considered to occur if:</p> <ul style="list-style-type: none"> • the Contractor commits an act which, if committed by an individual, would constitute an act of insolvency within the meaning of Sections 8 or 9(3)(a)(v) of the Insolvency Act 24 of 1936, as amended, or any equivalent legislation in any jurisdiction to which it is subject; • the Contractor begins negotiations or takes any other step with a view to generally deferring, re-scheduling or otherwise re-adjusting all or a material part of its indebtedness or proposes or makes a general scheme, arrangement, assignment,
---	---

or composition with or for the benefit of its creditors or a moratorium is proposed or agreed in respect of or affecting all or a material part of its indebtedness;

- the Contractor makes an application to court for business rescue supervision or for its winding-up (whether provisionally or finally);
- a court of competent jurisdiction grants an order winding-up the Contractor (whether provisionally or finally) or makes an order placing the Contractor under business rescue supervision;
- an application or other legal process (including the filing of any document commencing judicial process) is issued seeking an order for the winding-up of the Contractor (whether provisionally or finally) or placing the Contractor under business rescue supervision, except for so long as such application or other legal process is being contested in good faith and by appropriate means or except for the bona fide purpose of reconstruction, amalgamation, reorganisation, merger or consolidation; or
- a resolution is passed by:
 - the shareholders of the Contractor for the winding-up of the Contractor, whether by way of a members' or creditors' voluntary winding-up; or
 - the board of the Contractor for the Contractor to voluntarily begin business rescue proceedings and place himself under business rescue supervision."

Add the following new definition as clause 11.2(39):

"Temporary Works is all temporary works of every kind required on site for the execution and Completion of the *works* and the remedying of any defects."

Add the following new definition as clause 11.2(40):

"Intellectual Property" means (a) any copyright, design rights, patents, inventions, logos, business names, service marks and trademarks, internet domain names, moral rights, rights in databases, data, source codes, reports, drawings, specifications, know-how, business methods, trade secrets and confidential business information, semi-conductor rights, topography rights, whether registered or unregistered, rights in the nature of unfair competition and the right to sue for passing off; (b) applications for registration and the right to apply for registration for any of these rights; (c) all other intellectual property rights and similar forms of protection; existing anywhere in the world; and (d) all inventions (whether patentable or unpatentable and whether or not reduced to practice), all improvements thereto, and all patents, patent applications, and patent disclosures, together with all reissues, continuations, continuations-in-part, revisions, extensions, and re-examinations thereof

PART B - Amendments and additions to Existing Core and Optional Clauses

Clause	Amendment
12 Interpretation and the law	
12.5	<p>Added the following clauses after clause 12.4:</p> <p>“Any extension, concession, waiver or relaxation of any action stated in this contract by the Parties, the <i>Project Manager</i>, the <i>Supervisor</i>, or the <i>Adjudicator</i> does not constitute a waiver of rights, and does not give rise to an estoppel unless the Parties agree otherwise and confirm such agreement in writing.”</p>
	<p>Words denoting persons or parties shall include individuals and any organisation having legal capacity.</p>
	<p>In this contract, except where the context requires otherwise:</p> <ul style="list-style-type: none"> provisions including the word "agree", "agreed" or "agreement" require the agreement to be recorded in writing, and; <p>"written" or "in writing" means hand-written, type-written, printed or electronically made, and resulting in a permanent record.</p>
	<ul style="list-style-type: none"> The headings to the sections, clauses and sub-clauses of the conditions of this contract are for convenience only and do not affect the construction or interpretation of the conditions of contract. <p>Any word or expression defined in any clause in the Z clauses, unless the application of the word or expression is specifically limited to the clause in question, bears the meaning prescribed to the word or expression throughout the Z clauses.</p>
	<p>Week means a continuous period of 7 days.</p> <p>If the day for payment of any amount due by the Employer or Contractor in terms of this contract should fall on a Saturday, Sunday or official public holiday in the Republic of South Africa, the relevant day of payment is/are the next ordinary business day in the Republic of South Africa.</p>
	<p>Where figures are referred to in numerals and in words, if there is any conflict between the two, the words shall prevail.</p>
	<p>If any provision of this contract, which is not material to its efficacy as a whole, is rendered void, illegal or unenforceable in any respect under any law, the validity, legality and enforceability of the remaining provision is not in any way affected or impaired thereby and the parties shall endeavour in good faith to agree an alternative provision to the void, illegal or unenforceable provision.</p>

	Unless otherwise specifically recorded in this contract, termination of this contract for any cause does not release a party from any liability which at the time of termination has already accrued to such party or which thereafter may accrue in respect of any act or omission prior to such termination. Similarly, the termination of this contract does not release a party from any obligation which, by its nature, is intended to survive such termination.
Using the Contractor's design	
22.1	Delete core clause 22.1 in its entirety and replace it with the following clauses: Subject to each Party retaining title to its own Intellectual Property prior to the contract date , title to, copyright in and other Intellectual Property rights in any documents or other property created by the Contractor for or in connection with the Works vests in the Employer on creation and the Contractor hereby cedes and assigns all such rights to the Employer with effect from the date of creation vesting such Intellectual Property in the Employer.
22.2	The Employer grants the Contractor a revocable license to use the Intellectual Property for the purposes of Providing the Works for the contract period.
22.3	Unless otherwise agreed by the Parties, the Contractor grants to the Employer a non-exclusive, perpetual, irrevocable, royalty free license to use any of the Contractor's Intellectual Rights, obtained prior to this contact, in connection with the Works and this contract.
22.4	All Intellectual Property created, enhanced or improvement arising from Providing the Works or from or in connection to the contract exclusively vests in the Employer.
22.5	If the Employer is prevented from receiving the Works or any part thereof as a result of any actual or alleged infringement of Intellectual Property rights, the Contractor must, at its cost, take all reasonable steps necessary to procure for the Employer the right to receive the Works or the relevant part thereof for its intended purpose.
22.6	Modification or replacement of the Works If the Contractor fails to procure the necessary rights in accordance with this clause within a reasonable time, the Employer may direct the Contractor, at the Contractor's cost, to promptly (i) amend the Works or the relevant part thereof to avoid the infringement of Intellectual Property rights; or (ii) replace the Works or the relevant part thereof with Works that do not infringe Intellectual Property rights.
26 Subcontracting	
26.1	Core clause 26.1 to be amended as follows: The Contractor does not subcontract the whole or any part of the works without the written consent of the Employer, which consent shall be the sole discretion of the Employer. If the Contractor subcontracts work, he is responsible for Providing the Works as if he had not subcontracted. This contract applies as if a Subcontractor's employees and equipment were the Contractor's. For the avoidance of doubt, the Contractor shall be responsible for the

	acts or defaults of any of its subcontractors, its agents or employees, as if they were the acts or defaults of the Contractor.
26.3	Core clause 26.3 to be amended as follows: The Contractor submits the conditions of contract for each subcontract to the Project Manager and may redact all commercially sensitive information.
26.4	Add a new core clause 26.4 as follows: The Contractor shall procure from the Subcontractor all consents required in order to ensure that all the rights and obligations the Contractor may have under the subcontracts can be ceded and delegated to the Employer.
26.5	Add a new core clause 26.5 as follows: <ul style="list-style-type: none"> If the Contractor does not make payment of any amount due and payable by him to a Subcontractor (“the Subcontractor debt”) and the Project Manager considers that the Subcontractor debt adversely impacts on the progress of the Works or the obligations of the Contractor under the contract, Project Manager requests evidence of payment to the Subcontractor. In the absence of such evidence, the Employer may (at its own discretion) pay the Subcontractor debt directly to the Subcontractor concerned in which event such payment is, for all purposes under the Contract, regarded as a payment made on behalf of the Contractor and at the request of and with the approval and consent of the Contractor, as a payment towards the Prices. Payment to the Subcontractor is conducted in terms of core clause 50.2 of the contract.
26.6	Add a new core clause 26.6 as follows: All adverse effects as a result of or arising from the Subcontractor debt does not result in a compensation event.
27 Health, safety and the environment	
27.4	Clause 27.4 is deleted in its entirety and replaced with the following: Health and Safety specification
27.4.1	The <i>Contractor</i> takes all reasonable steps and precautions to assess the Site, consider and receive all relevant information on the Site and health and safety related to the <i>works</i> , maintain the health and safety of persons in and about the execution of the <i>works</i> .
27.4.2	The <i>Contractor</i> acknowledges that the Occupational Health and Safety Act No. 85 of 1993 Edition 23(latest edition) and the regulations promulgated therein (“the Act”); and the Construction Regulations 2014 promulgated under the Act (“the Construction Regulations”), including Code of Practice: Managing exposure to SARS-CoV-2 in the workplace will in all respects be applicable to this contract and the <i>works</i> .

27.4.3	The <i>Employer</i> appoints the Turnkey Contractor as the “Principal Contractor” (as defined and provided for under the Construction Regulations 2014) for the Site.
27.4.4	Accordingly, the <i>Contractor</i> is responsible for all duties of the “Principal Contractor” as defined and provided for under the Act and the Construction Regulations 2014 including but not limited to those obligations defined and provided for in Annexures A, B and C and all required Regulations and Standards applicable to the work of this contract.
27.4.5	The <i>Contractor</i> shall appoint a registered full-time Construction Health and Safety Officer (Pr.CHSO SACPCMP)for the Works and all other site-specific appointments as per Legislation requirements.
27.4.5.1	The <i>Contractor</i> shall appoint a <i>Registered Competent Person as per Legislation requirements</i> .
27.4.6	<p>The <i>Contractor</i> confirms that it has received sufficient information about the Site and the works in order to:</p> <ul style="list-style-type: none"> • comply with the provisions of the Act and the Construction Regulations 2014, • comply with the provisions of this clause; • adhere to the <i>Employer’s</i> health and safety baseline specification and SHEQ Policy as set out in Annexures A, B and C; • be properly appointed in accordance with Section 37(2) of the Act as contemplated in clause27.4.3; • and to prepare a site-specific Baseline Risk Assessment.
27.4.7	The <i>Contractor</i> acknowledges that the Project Manager acts as the <i>Employer’s</i> “Implementing Agent” in respect of all obligations which the <i>Employer</i> has as “Client” in the Construction Regulations 2014 and the Act.
27.4.8	Without limitation, the <i>Contractor</i> :
27.4.8.1	notwithstanding any actions which the <i>Employer</i> may take, accepts sole liability for due compliance with the relevant duties, obligations, prohibitions, arrangements and procedures imposed by the Act, all its regulations (including the Construction Regulations), Code of Practice: Managing exposure to SARS-CoV-2 in the workplace and Annexures A, B and C. By concluding this contract it shall be deemed that the parties have agreed in writing to the above provisions in terms of Section 37 (2) of the Act;
27.4.8.2	acknowledges and confirms that the Prices includes a sufficient amount for proper compliance with the Construction Regulations 2014, Code of Practice: Managing exposure to SARS-CoV-2 in the workplace, all applicable health and safety laws, regulations, rules, guidelines, procedures and all obligations imposed by this contract and Annexures A, B and C and generally for the proper maintenance of health and safety in and about the execution of works;

27.4.8.3	undertakes, in and about the execution of the <i>works</i> , to comply with all applicable health and safety laws, regulations, rules, guidelines and procedures otherwise provided for under this contract and shall ensure that all sub-contractors, employees and Others under the <i>Contractor's</i> direction and control, likewise observe and comply with the foregoing; and
27.4.8.4	indemnifies the <i>Employer</i> against any loss, damage or claim suffered by the <i>Employer</i> due to a failure to comply with any provision of this clause 27.4 by the <i>Contractor</i> .
27.4.8.5	acknowledges and confirms that a Health and Safety Consultant (Pr.CHSM SACPCMP) will be appointed by the <i>Contractor</i> for the Project and that the Prices includes enough for the appointment of such
27.4.9	The <i>Contractor</i> and his designer shall accept full responsibility and liability to comply with the Act, the Construction Regulations and Annexures A, B and C for the design of the Temporary <i>Works</i> and those parts of the Permanent <i>Works</i> which the <i>Contractor</i> is responsible to design in terms of this contract;
27.4.10	The <i>Employer</i> retains a right to inspect, review, obtain copies of all documents regarding, attend and participate in all meetings regarding; all inquiries, audits and reports conducted under this contract including but not limited to those that are conducted in accordance with:
27.4.10.1	Annexures A, B and C of this contract; and
27.4.10.2	Section 31 and/or 32 of the Act, its regulations and the Construction Regulations following any incident involving the Turnkey <i>Contractor</i> and/or sub-contractor and/or their employees.
27.4.11	The <i>Contractor</i> shall notify the Project Manager and copy in the <i>Employer</i> in writing of all inquiries, audits, reports, investigations, complaints or criminal charges which may arise pursuant to <i>works</i> performed under this contract.
27.4.12	The <i>Employer</i> and the Project Manager shall, at all times during construction and for a period of 5 (five) years after Completion, have the right to access and inspect any part of the Site/ <i>works</i> and all documents, reports, designs, specifications whatsoever that are prepared pursuant to any clause of this contract.
27.4.13	The <i>Contractor</i> liaises with the <i>Employer</i> and the Project Manager regarding all issues related to this clause 27, and in particular, complies with all reasonable requests from the Project Manager to (i) attend any meetings and/or (ii) provides any documents, audits and reports; required by the <i>Employer</i> or Project Manager.
27.4.14	The <i>Contractor</i> complies with the Baseline Risk Assessment provided by the <i>Employer</i> , <i>Project Manager</i> or <i>Construction Health and Safety Consultant</i> . Notwithstanding the foregoing, the <i>Contractor</i> prepares its own Baseline Risk Assessment and complies with it where such Baseline Risk Assessment provides additional risks to those noted by the <i>Employer</i> or the <i>Project Manager</i> .
3 Time	

<p>37.1</p> <p>The Contractor's recovery plan</p>	<p>Amend this clause by the addition of the following new clause:</p> <p>“Where actual progress on Site is not in accordance with the most current programme or where the <i>Employer</i> or <i>Project Manager</i> is of the opinion, at any time during the execution of the <i>works</i>, that the <i>Contractor</i> will not achieve Completion on the date stated in the most current programme, the <i>Contractor</i> shall prepare a recovery plan within 14 days of receipt of an instruction from the <i>Employer</i> or <i>Project Manager</i> requesting such recovery plan detailing:</p> <ul style="list-style-type: none"> • the Contractor's plan to ensure that the works will achieve Completion on the date stated in the most current programme; • all additional resources which will be employed by the Contractor in order to ensure that the Contractor achieves Completion on the date stated in the most current programme; • any other information which may be required by the Employer or Project Manager to ascertain that the Contractor will achieve Completion on the date stated in the most current programme.”
<p>5 Payment</p>	
<p>51.2</p>	<p>Amend this clause by deleting the second and the third sentences of the clauses and replace them with the following:</p> <p>If a certified payment is late by more than 8 weeks, interest is paid on the late payment. Interest is assessed from 4 weeks after the date by which the late payment should have been made until the date when the late payment is made, and is included in the first assessment after the late payment is made.</p>
<p>51 Payment</p>	<p>Add the following new clauses after clause 51.4..</p>
<p>51.5</p>	<p>Within one week of receiving a payment certificate from the <i>Project Manager</i> in terms of core clause 51.1, the <i>Contractor</i> provides the <i>Employer</i> with a tax invoice in accordance with the <i>Employer's</i> procedures stated in the Works Information, showing the amount due for payment equal to that stated in the payment certificate.</p>
<p>51.6</p>	<p>If the <i>Contractor</i> does not provide a tax invoice in the form and by the time required by this contract, the time by which the <i>Employer</i> is to make a payment is extended by a period equal in time to the delayed submission of the correct tax invoice.</p>
<p>51.7</p>	<p>The <i>Contractor</i> (if registered in South Africa in terms of the companies Act) is required to comply with the requirements of the Value Added Tax Act, no 89 of 1991 (as amended) and to include the <i>Employer's</i> VAT number on each invoice the Contractor submits for payment.</p>

6 Compensation Events	
61 Notifying compensation events	
61.3	The last paragraph is deleted and substituted with the following: <i>“In clarification, notwithstanding the Project Manager notifying the Contractor of a compensation event, if the Contractor does not notify a compensation event within the eight weeks of becoming aware of the event or ought reasonably to become aware of the event, he is not entitled to a change in the Prices, the Completion Date or a Key Date.”</i>
9 Termination	
91.1	Amend this clause by the addition of the following at the end of the second main bullet point, fourth sub-bullet point, after the words "against it": <i>“or the Contractor commits a Contractor Insolvency Event (R5),”</i>
91.3	Amend this clause by adding the following at the end of the clause: <ul style="list-style-type: none"> • <i>“failed to effect any of the required insurances(R22);</i> • <i>failed to provide a satisfactory recovery plan pursuant to Clause 37 (The Contractor’s recovery plan) (R23); or</i> • <i>failed to comply with the provision of Clause Z3 (Broad Based Black Economic Empowerment) (R24).</i> and for terminating for R22 to R24 the same procedures and payment on termination as those applied for reasons R1 to R15 or R18 stated in the Termination Table in clause 90.2 apply.”
9.0	Insert the following new clause 9.4
9.4 Termination for convenience	The <i>Employer</i> is entitled to terminate the Contract, at any time for the <i>Employer’s</i> convenience, by giving notice of such termination to the <i>Contractor</i> . The termination shall take effect 28 days after the later of the dates on which the <i>Contractor</i> receives this notice or the <i>Employer</i> returns the performance bond and all monies held in retention, unless there are outstanding calls/claims thereon in which event, and if applicable, the <i>Employer</i> returns the performance bond and all monies held in retention promptly after the last of the outstanding calls/claims have been met. The <i>Employer</i> does not terminate the Contract under this sub-clause in order to execute the <i>works</i> himself or to arrange for the <i>works</i> to be executed by another contractor. The same procedures on termination as those applied for reasons R1 to R15 or R18 stated in the Termination Table in clause 90.2 apply. The Contractor shall only be entitled to costs incurred at the date of termination

Option X2: Changes in the Law	
X2.2	<p>Amend this clause by the addition of the following new clause:</p> <p>Notwithstanding anything contained in this clause or this agreement, a “change in law” does not include any law or piece of legislation that is enacted or made but not yet in force as at the date when the tender is submitted, or any proposed or draft law that is promulgated or issued for comment at any time before the tender is submitted if and to the extent that such law when enacted or made and brought into effect is materially unchanged</p>
Option X7: Delay Damages	
X7.4	<p>Amend this clause by adding of the following new clause: (if applicable in this contract)</p> <p>“If the amount due for the Contractor’s payment of delay damages reaches the limits stated in this Contract Data for Option X7, the Employer may terminate the Contractor’s obligation to Provide the Works using the same procedures and payment on termination as those applied for reasons R1 to R15 or R18 stated in the Termination Table in clause 90.2.”</p>
Option X13: Performance Bond	<p>Amend this clause by adding the following new clause at the end of this clause: (if applicable in this contract)</p>
X13.2	<p>The <i>Contractor</i> ensures that the performance bond is valid and enforceable until the <i>Contractor</i> has Provided the Works and remedied any and all <i>defects</i> therein. If the terms of the performance bond specifies its expiry date, then the Contractor extends the validity of the performance bond 28 days prior to such an expiry date, such that the performance bond lapses at the later of:</p> <ul style="list-style-type: none"> • the date of issue of the Defects Certificate; or • the date when the last <i>defect</i> notified has been remedied or accepted in accordance with this contract.
X13.3	<p>The <i>Employer</i> may make a claim under the performance bond, for amounts to which the <i>Employer</i> is entitled under the contract in the event of:</p> <ul style="list-style-type: none"> • failure by the <i>Contractor</i> to extend the validity of the performance bond as described in the preceding paragraph, in which event the <i>Employer</i> may claim the full amount of the performance bond, • failure by the <i>Contractor</i> to pay the <i>Employer</i> an amount due, as either agreed with the <i>Contractor</i> or assessed by the Project Manager (or otherwise determined) in

	<p>accordance with the provisions of this contract, within 28 days after this agreement, assessment or determination,</p> <ul style="list-style-type: none"> failure by the <i>Contractor</i> to remedy a default within 28 days after receiving the <i>Employer's</i> notice requiring the default to be remedied, or the occurrence of any one of the following termination reasons: R1 to R15, R18 and R22 to R24.
X13.4	The <i>Employer</i> indemnifies and hold the <i>Contractor</i> harmless against and from all damages, losses and expenses (including legal fees and expenses) resulting from a claim under the performance bond to the extent to which the <i>Employer</i> is not entitled to make the claim.
X13.5	<p>Step Down</p> <p>The performance bond reduces by half its value on the date of issue of the Certificate of Completion.</p> <p>The performance bond expires/lapses on the later of:</p> <ul style="list-style-type: none"> the date of issue of the Defects Certificate; or the date when the last <i>defect</i> notified has been remedied or accepted in accordance with this contract.
PART C – Additional Clauses (entitled Z-Clauses)	
Z1	Cession delegation and assignment
Z1.1	The <i>Contractor</i> does not cede, delegate or assign any of its rights or obligations to any person without the written consent of the <i>Employer</i> .
Z1.2	<p>Notwithstanding the above, the <i>Employer</i> may, on written notice to the <i>Contractor</i>, cede and delegate its rights and obligations under this contract to a Related Party or a Client of the <i>Employer</i>.</p> <p>For the purpose hereof</p>
Z1.2.1	an “Client” means the employer and includes its successors in title and permitted assignees under this agreement;
Z1.2.2	a “related party” means any entity that directly or indirectly, through one or more intermediaries, controls or is controlled by, or is under common control with the employer and includes any other “Organ of State” as defined in section 239 of the Constitution of the Republic of South Africa, 1996 and any entity or Organ of State for whom the employer carries out the works or acts as an implementing agent; and
Z1.2.3	“Control” means the beneficial ownership of the majority in number of the issued equity of any entity (or the whole or majority of the entity’s assets), and/or the right or ability to direct or otherwise control the entity or the votes attaching to the majority of the

	entity's equity and "controlled" or "under common control" shall have a similar meaning.
Z2	Joint ventures
Z2.1	If the <i>Contractor</i> constitutes a joint venture, consortium or other unincorporated grouping of two or more persons or organisations then these persons or organisations are deemed to be jointly and severally liable to the <i>Employer</i> for the performance of this contract.
Z2.2	Unless already notified to the <i>Employer</i> , the persons or organisations notify the <i>Project Manager</i> within two weeks of the Contract Date of the key person who has the authority to bind the <i>Contractor</i> on their behalf.
Z2.3	The <i>Contractor</i> does not substantially alter the composition of the joint venture, consortium or other unincorporated grouping of two or more persons without the consent of the <i>Employer</i> having been given to the <i>Contractor</i> in writing.
Z3	PREFERENCE POINTS CLAIM FORM IN TERMS OF THE PREFERENTIAL PROCUREMENT REGULATIONS 2022, Construction Industry Development Board grading and the valid and active Tax Compliance Status Pin issued by SARS.
Z3.1	The <i>Contractor</i> warrants that it will:
Z3.1.1	comply with all laws including the <i>Broad Based Black Economic Empowerment Act 53 of 2003</i> , its regulations and Codes of Good Practice; and the <i>Preferential Procurement Act 5 of 2000</i> and all its regulations; (In terms of Regulation 4(2); 5(2); 6(2) and 7(2) of the Preferential Procurement Regulations, preference points must be awarded for specific goals stated in the tender. For the purposes of this tender the tenderer will be allocated points based on the goals stated in table 1 below as may be supported by proof/ documentation stated in the conditions of this tender:)
Z3.1.2	maintain or improve (i) the contractor's Construction Industry Development Board grading, and (ii) its valid and active Tax Compliance Status Pin issued by SARS submitted at tender stage; and
Z3.1.3	not conduct any Fronting practices as defined in the Codes of Good Practice.
Z4	Change of PREFERENCE POINTS CLAIM FORM IN TERMS OF THE PREFERENTIAL PROCUREMENT REGULATIONS 2022
Z4.1	Where a change in the <i>Contractor's</i> legal status, ownership or any other change to his business composition or business dealings results in a change to the <i>Contractor's</i> Specific Goals status, the <i>Contractor</i> notifies the <i>Employer</i> within seven days of the change.
Z4.2	The <i>Contractor</i> is required to submit an updated verification certificate and necessary supporting documentation confirming the change in his B-BBEE status to the <i>Project Manager</i> within thirty days of the notification or as otherwise instructed by the <i>Project Manager</i>.

Z4.3	Where, as a result, the Contractor's B-BBEE status has decreased since the Contract Date the Employer may either re-negotiate this contract or alternatively, terminate the Contractor's obligation to Provide the Works.
Z4.4	Failure by the <i>Contractor</i> to notify the <i>Employer</i> of a change in its Specific Goals status may constitute a reason for termination. If the <i>Employer</i> terminates in terms of this clause, the procedures on termination are P1, P2 and P3 as stated in clause 92, and the amount due is A1 and A3 as stated in clause 93.
Z5	Ethics
Z5.1	Any offer, payment, consideration, or benefit of any kind made by the <i>Contractor</i> , which constitutes or could be construed either directly or indirectly as an illegal or corrupt practice, as an inducement or reward for the award or in execution of this contract, including Fronting as referenced in Sub-Clause Z3.1.3, constitutes grounds for terminating the <i>Contractor's</i> obligation to Provide the Works or taking any other action as appropriate against the <i>Contractor</i> (including civil or criminal action).
Z5.2	<p>The <i>Employer</i> may terminate the <i>Contractor's</i> obligation to Provide the Works if the <i>Contractor</i> (or any member of the <i>Contractor</i> where the <i>Contractor</i> constitutes a joint venture, consortium or other unincorporated grouping of two or more persons or organisations) is found guilty by a competent court, administrative or regulatory body of participating in illegal or corrupt practices.</p> <p>Such practices include making of offers, payments, considerations, or benefits of any kind or otherwise, whether in connection with any procurement process or contract with the <i>Employer</i> or other people or organisations and including in circumstances where the <i>Contractor</i> or any such member is removed from the an approved vendor data base of the <i>Employer</i> as a consequence of such practice.</p>
Z5.3	Notwithstanding the provisions of core clause 90.2, the procedures on termination in terms of this clause are P1, P2 and P3 as stated in the core clause 92 and the amount due is A1 and A3 as stated in core clause 93.
Z6	Confidentiality
Z6.1	The <i>Contractor</i> does not disclose or make any information arising from or in connection with this contract available to Others. This undertaking does not, however, apply to information which at the time of disclosure or thereafter, without default on the part of the <i>Contractor</i> , enters the public domain or to information which was already in the possession of the <i>Contractor</i> at the time of disclosure (evidenced by written records in existence at that time). Should the <i>Contractor</i> disclose information to Others in terms of clause 25.1, the <i>Contractor</i> ensures that the provisions of this clause are complied with by the recipient.
Z6.2	If the <i>Contractor</i> is uncertain about whether any such information is confidential, it is to be regarded as such until notified otherwise by the <i>Project Manager</i> .

Z6.3	In the event that the <i>Contractor</i> is, at any time, required by law to disclose any such information which is required to be kept confidential, the <i>Contractor</i> , to the extent permitted by law prior to disclosure, notifies the <i>Employer</i> so that an appropriate protection order and/or any other action can be taken if possible, prior to any disclosure. In the event that such protective order is not, or cannot, be obtained, then the <i>Contractor</i> may disclose that portion of the information which it is required to be disclosed by law and uses reasonable efforts to obtain assurances that confidential treatment will be afforded to the information so disclosed.
Z6.4	The taking of images (whether photographs, video footage or otherwise) of the <i>works</i> or any portion thereof, in the course of Providing the Works and after Completion, requires the prior written consent of the <i>Project Manager</i> . All rights in and to all such images vests exclusively in the <i>Employer</i> .
Z6.5	The <i>Contractor</i> ensures that all its subcontractors abide by the undertakings in this clause.
Z9	<i>Employer's limitation of liability</i>
Z9.1	The <i>Employer's</i> liability to the <i>Contractor</i> for the <i>Contractor's</i> indirect or consequential loss is limited to R0.00 (zero Rand)
Z9.2	The <i>Contractor's</i> entitlement under the indemnity in 83.1 is provided for in 60.1(14) and the <i>Employer's</i> liability under the indemnity is limited to compensation as provided for under the compensation events stated in this contract.
Z10	<i>Employer's Step-in Rights and Additional Remedies</i>
Z10.1	In the event the <i>Contractor</i> and/or his subcontractor:
Z10.1.1	fails to carry out any obligation under the contract and the Works Information and fails to make good such failure and remedy it despite being requested to do so by the <i>Project Manager</i> in accordance with notices under Sub-Clause 16.1 (Early Warning) and/or Sub-Clause 13.1 (Communications), or
Z10.1.2	commits a breach of the Contract which reasonably places the project at risk of non-completion by the Completion Date, or non-Completion; or
Z10.1.3	commits a material breach of contract,
	the <i>Employer</i> may, without prejudice to its other rights in clause 9 (Termination), powers and remedies under the contract or in law, be entitled to step-in and take over the <i>works</i> , and on the account of the <i>Contractor</i> and at the <i>Contractor's</i> risk, to (i) make good the failure and remedy it, or complete the <i>works</i> himself, or (ii) call upon other contractors to make good the failure and remedy it or complete the <i>works</i> , or (iii) to call upon other contractors to partner with the <i>Contractor</i> to make good the failure and remedy it, or complete the <i>works</i> . Further, notwithstanding anything contained in this contract, where the <i>Employer</i> has

	“stepped-in” the <i>Contractor</i> shall remain responsible as if the <i>works</i> were executed by the <i>Contractor</i> for the <i>works</i> up to the Completion Date.
Z10.2	The <i>Contractor</i> shall co-operate with the <i>Employer</i> and facilitate and permit the use of all required <i>Contractor’s</i> Equipment, Goods, information, materials and other matter (including <i>Contractor’s</i> Documents and all other drawings, CAD files, technical data, models, plans, designs, diagrams, evaluations, details, specifications, schedules, reports, calculation results, manuals or other documents or recorded information (electronic or otherwise) which have been or are at any time prepared by or on behalf of the <i>Contractor</i> under the Contract or otherwise for and/or in connection with the <i>works</i>) and shall generally do all reasonable things required by the <i>Project Manager</i> to achieve this end; provided that where the foregoing constitute proprietary information, the <i>Contractor’s</i> obligation hereunder shall be limited to furnishing <i>works</i> specific information in a form capable of being disclosed to third parties or providing assistance to third parties without requiring the <i>Contractor</i> to disclose non <i>works</i> -specific source codes or other proprietary information.
Z10.3	Any information, materials and other matter made available by the <i>Contractor</i> under this Sub-Clause Z.10 shall be used solely and exclusively for the purpose of making good and remedying the <i>Contractor’s</i> failure and shall thereafter be returned to the <i>Contractor</i> . Any such information, materials and other matter which is made available by the <i>Employer</i> to other persons as contemplated in this Sub-Clause Z.13 shall be made available strictly in accordance with the foregoing and subject to a confidentiality undertaking.
Z11	Employer Procured Materials and Goods
Z11.1	The <i>Employer</i> is entitled but not obliged to procure materials and goods on behalf of the <i>Contractor</i> . The <i>Contractor</i> may request that the <i>Employer</i> procures materials and goods on behalf of the <i>Contractor</i> .
Z11.2	Should the <i>Employer</i> exercise this right, or should the <i>Employer</i> accept the <i>Contractor’s</i> request, the <i>Contractor</i> shall:
Z11.2.1	issue to the <i>Project Manager</i> a list of all materials and goods the <i>Contractor</i> requires;
Z11.2.2	state in the list considered above, the time within which such materials and goods must be provided;
Z11.2.3	take delivery of such materials and goods provided by the <i>Employer</i> ;
Z11.3	The <i>Contractor</i> shall be responsible for and takes the risk on all materials and goods after taking delivery of such materials and goods at Site and indemnifies the <i>Employer</i> against all losses or costs arising from any damage, loss or theft of such materials and goods.
Z11.4	The <i>Contractor</i> shall not be entitled to any extension of time and costs for the late delivery of any materials and goods to be procured by the <i>Employer</i> under the provision of this clause.

Z11.5	The direct cost of all materials and goods procured by the <i>Employer</i> on behalf of the <i>Contractor</i> in accordance with the provisions of this clause shall be deducted from each payment due to the <i>Contractor</i>
Z11.6	The <i>Contractor</i> acknowledges that all <i>Employer</i> supplied materials and goods remain the property of the <i>Employer</i> .
Z12	Contractor Undertaking re CIDB and Tax Certificates
Z12.1	The <i>Contractor</i> shall ensure that all certificates, clearances and the like, including specifically any certificates required to be obtained by the <i>Contractor</i> for purposes of the contract in terms of the Construction Industry Development Board and the Value Added Tax Act, no 89 of 1991, remain in full force and effect up until the Completion Date.
Z12.2	Failure by the <i>Contractor</i> to notify the <i>Employer</i> of the expiry of any requisite certificate may constitute a reason for termination. If the <i>Employer</i> terminates in terms of this clause, the procedures on termination are P1, P2 and P3 as stated in clause 92, and the amount due is A1 and A3 as stated in clause 93. In addition to the <i>Employer's</i> right to terminate, should any requisite certificate that the <i>Contractor</i> is required to obtain expire or be null and void for any reason whatsoever, the <i>Employer</i> may withhold any payments due to the <i>Contractor</i> until such time as the <i>Contractor</i> provides the <i>Employer</i> and / or <i>Project Manager</i> with a valid and / or updated certificate, as the case may be.
Z13	RIGHT TO AUDIT
Z13.1	The Employer shall be entitled to, within 2 (two) Business Days of the giving of notice to the Contractor to such effect, conduct an audit of all relevant books, records, systems, processes, procedures and documents of the Contractor in order to verify compliance by the Contractor with its obligations in terms of this Contract and/or to assess any entitlement or claimed entitlement of the Contractor under this Contract or to investigate any allegations with regard to possible criminal activities or breach of DoE policies or procedures.
Z13.2	The Contractor shall co-operate and render all assistance requested by the Employer relating to such audit. In addition, the Contractor shall provide the Employer with access to all such books, records, systems, data and documents of the Contractor that are relevant to this Contract, the Contractor's obligations under this Contract and/or any entitlement or claimed entitlement of the Contractor under this Contract and to any premises, shareholders, partners, members, subcontractors and Personnel of the Contractor for the purposes of conducting such audit. The Employer shall have the right to take copies of any records and information the Employer reasonably require to assist in connection with any such audit.
Z13.3	The Contractor shall maintain all data, records and documentation relating to this Contract and keep full and proper records in connection with providing the Works and all matters related thereto (whether contained in documents or in electronic format) for the period of this Contract, and for a period of at least 5 (five) years after termination or completion of all of the Works (as the case may be).

Z13.4	The Contractor shall ensure that the rights in this clause 18 also apply to any subcontractors and that the Employer be afforded the same auditing rights by the subcontractors.
Z13.5	The Employer shall keep all information obtained in terms of this clause 18 confidential and not disclose it to any third party. In the event that the Employer is, at any time, required by law to disclose any such information which is required to be kept confidential, the Employer, to the extent permitted by law prior to disclosure, notifies the Contractor so that an appropriate protection order and/or any other action can be taken if possible, prior to any disclosure. In the event that such protective order is not, or cannot, be obtained, then the Employer may disclose that portion of the information which it is required to be disclosed by law and uses reasonable efforts to obtain assurances that confidential treatment will be afforded to the information so disclosed.

C1.2 CONTRACT DATA (Continued)

Part two – Data provided by the Contractor

[Instructions to the contract compiler: (delete this notes before issue to tenderers with an enquiry)

Whenever a cell is shaded in the left hand column it denotes this data is optional and would be required in relation to the option selected. In the event that the option is not required select and delete the whole row.]

Notes to a tendering contractor:

1. Please read both the NEC3 Engineering and Construction Contract (April 2013) and the relevant parts of its Guidance Notes (ECC3-GN)² in order to understand the implications of this Data which the tenderer is required to complete. An example of the completed Data is provided on pages 152 to 154 of the ECC3 Guidance Notes.
2. The number of the clause which requires the data is shown in the left hand column for each statement however other clauses may also use the same data
3. Where a form field like this [] appears, data is required to be inserted relevant to the option selected. Click on the form field **once** and type in the data. Otherwise complete by hand and in ink.

Completion of the data in full, according to Options chosen, is essential to create a complete contract.

Statements given in all contracts

- The *Contractor* is
Name
Address
.....
- The *direct fee percentage* is%.
- The *subcontracted fee percentage* is%.
- The *working areas* are the Site and
- The key people are
(1) Name
Job
Responsibilities
.....
Qualifications
Experience
.....
(2) Name
Job
Responsibilities
.....
Qualifications
Experience
.....

- The following matters will be included in the Risk Register (note as above with data by Employer this is risks identified at tender stage)

.....
.....
.....
.....

Optional statements

If the Contractor is to provide Works Information for his design

- The Works Information for the Contractor's design is in

.....
.....
.....
.....
.....

If a programme is to be identified in the Contract Data

- The programme identified in the Contract Data is.....

If the Contractor is to decide the completion date for the whole of the works

- The completion date for the whole of the works is.....

Data for the Shorter Schedule of Cost Components

- The activity schedule is

- The tendered total of the Prices is.....

- The percentage for people overheads is.....%.

- The published list of Equipment is the last edition of the list published by

- The percentage for adjustment for Equipment in the published list is

- The rates for other Equipment are

Equipment	size or capacity	rate
.....
.....
.....
.....

- The hourly rates for Defined Cost of design outside the Working Areas are

category of employee	hourly rate
.....
.....
.....
.....

- The percentage for design overheads is.....%.

- The categories of design employees whose travelling expenses to and from the Working Areas are included in Defined Cost are

.....
.....

.....
.....

C1.3 PERFORMANCE BOND

Pro-Forma NEC3 ECC Variable Performance Bond for Works and Maintenance – Demand Guarantee

To: *Employer*

Dear Sirs

Reference No. [●] *[Drafting Note: Guarantor/Bank reference number to be inserted]*

Performance Bond: *[Drafting Note: Name of Contractor to be inserted]*

Employer: Contract Reference - [●] [Drafting Note: Contract reference number to be inserted]

1. In this Guarantee:

1.1 the following words and expressions have the following meanings:

1.1.1 “Guarantor” - means [●], [●] Branch, (Registration No. [●]); *[Drafting Note: Name of Guarantor to be inserted]* [●] **Financial Services Board Registration number [●]**
NB: Guarantees submitted must be issued by either an insurance company duly registered in terms of the Short-Term Insurance Act, 1998 (Act 53 of 1998) or by a bank duly registered in terms of the Banks Act, 1990 (Act 94 of 1990) No alterations or amendments of the wording of the pro-forma will be accepted unless approved prior to it been issued by the Employer.

1.1.1 “Guarantor’s Address” - means [●]; *[Drafting Note: Guarantor’s physical address to be inserted]*

1.1.2 “Contract” - means the written agreement entered into between *Employer* and the *Contractor* on or about [●] [●] 200[●] (Contract Reference No. [●]), as amended, varied, restated, novated or substituted from time to time; *[Drafting Note: signature date and Contract reference number to be inserted]*

1.1.3 “Contractor” - means [●] a [●] registered in accordance with the laws of [●] with registration number [●]; *[Drafting Note: Name and details of Contractor to be inserted]*

1.1.4 “Employer” - means Eastern Cape Department of Education

1.1.5 “Expiry Date” – means the date of issue of the Defects Certificate or such later date as may be determined by the application of clause 3.3;

1.1.6 “this Guarantee” - means this Performance Bond;

1.1.7 “Guaranteed Sum” - means the sum of [● - figure] ([● - words]) as reduced from time to time as provided for in paragraph 3 below; *[Drafting Note: Maximum aggregate*

Guarantee amount to be inserted not exceeding 10% of the contract sum]

- 1.1.8 “Project Manager” - means [●] a [●] registered in accordance with the laws of [●] with registration number [●]; and
- 1.1.9 a “recovery statement”, an “interim payment certificate”, a “Payment Certificate”, a “Certificate(s) of Completion” or “Defect Certificate” shall mean any such certificate as issued by the Project Manager;
- 1.2 words and expressions defined in the Contract shall, unless otherwise defined in this Guarantee or otherwise required by the context of this Guarantee, have the same meanings in this Guarantee as those ascribed to them in the Contract, albeit that the Contract itself, and any terms as defined therein, are merely referenced for convenience and not to create an accessory obligation.
2. At the instance of the *Contractor*, the Guarantor hereby confirms that we hold the Guaranteed Sum at the disposal of *Employer*, as security for the proper performance by the *Contractor* of all of his obligations in terms of and arising from the Contract, and hereby irrevocably and unconditionally both agree and undertake to pay to *Employer*, on written demand from *Employer* envisaged in paragraph 3 below and received prior to the Expiry Date, any amount or amounts as may be so demanded from time to time, subject to a maximum of the Guaranteed Sum in the aggregate.
3. The Guarantor’s liability shall be limited to the diminishing amounts of the Guaranteed Sum as follows:
- 3.1 Maximum Guaranteed Sum (not exceeding 10% of the contract sum) in the amount of:
- [● – amount in figures] ([● – amount in words]),**
- from and including the date of issue of this Guarantee and up to and including the Completion Date.
- 3.2 Reducing the Guaranteed Sum (not exceeding 5.0% of the contract sum) in the amount of:
- [● – amount in figures] ([● – amount in words]),**
- from and including the day after the Completion Date up to and including the date of the issue of the Defects Certificate.
- 3.3 Reducing the Guaranteed Sum (not exceeding 0% of the contract sum) in the amount of:
- R nil**
- from and including the day after the date of the issue of the Defect Certificate, where after this Guarantee for Construction shall expire. Where the final payment certificate reflects payment due to the *Employer* this Guarantee shall expire upon payment of the full amount certified. The Guarantor’s liability limits set out in paragraphs 3.1 to 3.3 shall apply in respect of any claim received by the Guarantor during the Security validity.
4. A demand for payment under this Guarantee shall be made in writing at the Guarantor’s address and shall:

- 4.1 confirm the “Guaranteed Sum” at the time of the demand;
- 4.2 state the amount claimed (“the Demand Amount”); and
- 4.3 state that the Demand Amount is payable to *Employer* in the circumstances contemplated in the Contract:
- 4.3.1 in regard to sums certified, shall state the Demand Amount to be the amount so certified and shall:
- 4.3.1.1 state that such first written demand notice issued by *Employer* to the Guarantor at the Guarantor's Address, with a copy to the *Contractor*, records that a period of seven (7) calendar days has elapsed since the issue of the first written demand notice in terms of paragraph 4.3.1.2 and that the sum certified has not been paid to date. *Employer* herewith calls up this Guarantee and demands payment of the sum certified from the Guarantor;
- 4.3.1.2 be accompanied by a copy of a preceding first written demand notice issued by *Employer* to the *Contractor* stating that payment of a sum certified by the Project Manager in an interim or final payment certificate has not been made in terms of the Contract and failing such payment within seven (7) calendar days, *Employer* intends to call upon the Guarantor to make payment in terms of paragraph 4.3.1.1;
- 4.3.1.3 and
- 4.3.1.4 shall be accompanied by a copy of the applicable payment certificate which entitles *Employer* to receive payment in terms of the Contract of the sum certified;
- 4.3.2 where the Demand Amount is for the Guaranteed Sum or the full outstanding balance thereof, *Employer* shall deliver a first written demand notice to the Guarantor at the Guarantor's Address calling up this Guarantee stating that:
- 4.3.2.1 the Contract has been terminated due to the *Contractor's* default and that the Guarantee is called up in terms of this sub-paragraph. This demand shall enclose a copy of the notice of termination; or
- 4.3.2.2 a provisional sequestration or liquidation court order has been granted against the *Contractor* and that the Guarantee is called up in terms of this sub-paragraph. The demand notice shall enclose a copy of the court order.
5. Notwithstanding the reference herein to the Contract the Guarantor acknowledges that:
- 5.1 the liability of the Guarantor in terms hereof is as principal and not as surety and the Guarantor's obligation/s to make payment:
- 5.1.1 is and shall be absolute and unconditional in all circumstances; and
- 5.1.2 is not, and shall not be construed to be, accessory or collateral on any basis

whatsoever;

6. *Employer* shall be entitled to arrange its affairs with the *Contractor* in any manner which it sees fit, without advising us and without affecting the Guarantor's liability under this Guarantee. This includes, without limitation, any extensions, indulgences, release or compromise granted to the *Contractor* or any variation under or to the Contract.
7. Should *Employer* cede its rights against the *Contractor* to a third party where such cession is permitted under the Contract, then *Employer* shall be entitled to cede to such third party the rights of *Employer* under this Guarantee on written notification to the Guarantor of such cession.
8. The Guarantor's obligations in terms of this Guarantee:
 - 8.1 shall be restricted to the payment of money only and shall be limited to the maximum of the Guaranteed Sum; and
 - 8.2 shall not be discharged and compliance with any demand for payment received by the Guarantor in terms hereof shall not be delayed, by the fact that a dispute may exist between *Employer* and the *Contractor*.
9. This Guarantee:
 - 9.1 shall expire on the Expiry Date until which time it is irrevocable;
 - 9.2 is, save as provided for in 7 above, personal to *Employer* and is neither negotiable nor transferable;
 - 9.3 shall be returned to the Guarantor upon the earlier of payment of the full Guaranteed Sum or expiry hereof;
 - 9.4 shall be regarded as a liquid document for, firstly, the purpose of demonstrating and/or determining the amount due by the Guarantor to *Employer* and, secondly, obtaining any court order; and
 - 9.5 shall be governed by and construed in accordance with the law of the Republic of South Africa and shall be subject to the jurisdiction of the Courts of the Republic of South Africa.
10. The Guarantor chooses the *domicilium citandi et executandi* for all purposes in connection with this Guarantee at the Guarantor's Address.

Signed at _____

Date _____

For and behalf of the Guarantor

Guarantor Signatory 1: _____

Guarantor Signatory 2: _____

Capacity of Guarantor

Capacity of Guarantor

Signatory 1: _____

Signatory 2: _____

Witness: _____
(Printed Name
of Witness)_____

Witness: _____
(Printed Name
of Witness)_____

Guarantor's seal or stamp



PART 2: PRICING DATA

NEC 3 Engineering and Construction Contract Option A: Priced Contract with *Activity Schedule* of April 2013 (including amendments).

Document reference	Title	No of pages
C2.1	Pricing Assumptions: Option A	2
C2.2	Pricing Instructions	1
C2.3	<i>The Schedule of Activities</i>	2
C2.4	Amendments, Qualifications And Alternatives By Tenderer	1
	Total number of pages	6



C2.1 PRICING ASSUMPTIONS: OPTION A

1 How work is priced and assessed for payment

Clause 11 in NEC3 Engineering and Construction Contract (ECC3) Option A states:

Identified and defined terms	11 11.2	(20) The Activity Schedule is the <i>activity schedule</i> unless later changed in accordance with this contract. (22) Defined Cost is the cost of the components in the Shorter Schedule of Cost Components whether work is subcontracted or not excluding the cost of preparing quotations for compensation events. (27) The Price for Work Done to Date is the total of the Prices for <ul style="list-style-type: none"> • each group of completed activities and • each completed activity which is not in a group. <p>A completed activity is one which is without Defects which would either delay or be covered by immediately following work.</p> (30) The Prices are the lump sum prices for each of the activities on the Activity Schedule unless later changed in accordance with this contract.
-------------------------------------	------------	--

This confirms that Option A is a lump sum form of contract where the work is broken down into activities, each of which is priced by the tendering contractor as a lump sum. Only completed activities are assessed for payment at each assessment date; no part payment is made if the activity is not completed by the assessment date.

1. Function of the Activity Schedule

Clause 54.1 in Option A states: "Information in the Activity Schedule is not Works Information or Site Information". This confirms that specifications and descriptions of the work or any constraints on how it is to be done are not included in the Activity Schedule but in the Works Information. This is further confirmed by Clause 20.1 which states, "The *Contractor* Provides the Works in accordance with the Works Information". Hence the *Contractor* does **not** Provide the Works in accordance with the Activity Schedule. **The Activity Schedule is only a pricing document.**

2. Link to the programme

Clause 31.4 states that "The *Contractor* provides information which shows how each activity on the Activity Schedule relates to the operations on each programme which he submits for acceptance". **Ideally the tendering contractor will develop a high level programme first then resource each activity and thus arrive at the lump sum price for that activity both of which can be entered into the *activity schedule*.**

3. Preparing the activity schedule

Generally it is the tendering contractor who prepares the *activity schedule* by breaking down the work described within the Works Information into suitable activities which can be well defined, shown on a programme and priced as a lump sum.

The *Employer*, in his Instructions to Tenderers or in a Tender Schedule, may have listed some items that

he requires the *Contractor* to include in his *activity schedule* and be priced accordingly.

It is assumed that in preparing his *activity schedule* the *Contractor*:

- i. **Has taken account of the guidance given in the ECC3 Guidance Notes pages 19 and 20;**
- ii. **Understands the function of the Activity Schedule and how work is priced and paid for;**
- iii. **Is aware of the need to link the Activity Schedule to activities shown on his programme;**
- iv. **Has listed and priced activities in the *activity schedule* which are inclusive of everything necessary and incidental to Providing the Works in accordance with the Works Information, as it was at the time of tender, as well as correct any Defects not caused by an *Employer's* risk;**
- v. **Has priced work he decides not to show as a separate activity within the Prices of other listed activities in order to fulfil the obligation to complete the *works* for the tendered total of the Prices.**
- vi. **Understands there is no adjustment to the lump sum Activity Schedule price if the amount, or quantity, of work within that activity later turns out to be different to that which the *Contractor* estimated at time of tender. The only basis for a change to the Prices is as a result of a compensation event.**
- vii. **The access to the site is through the SGB or school Principal and Bidders should note the following;**

C2.2 PRICING INSTRUCTIONS

- 1 The Activity Schedule to be priced is to be drawn up by the Contractor.
- 2 The agreement is based on the NEC3 suite of documents, Option A. The additions, deletions and alterations to the NEC3 document as well as the contract specific variables are as stated in the Contract Data.
- 3 Preliminaries requirements are based on the various parts of SANS 1921, Construction and management requirements for works contracts. The additions, deletions and alterations to the various parts of SANS 1921 as well as the contract specific variables are as stated in the Specification Data in the Scope of Work.
- 4 It will be assumed that prices included in the Schedule of Activities (if any), are based on Acts, Ordinances, Regulations, By-laws, International Standards and National Standards that were published 28 days before the closing date for tenders. (Refer to www.stanza.org.za or www.iso.org for information on standards).
- 5 The Contractor is required to make designs for the works. The Contractor will assume responsibility for design for suitability for purpose for the portion of the works which he has designed.
- 6 Reference to any particular trademark, name, patent, design, type, specific origin or producer is purely to establish a standard for requirements. Products or articles of an equivalent standard may be substituted.
- 7 The Schedule of Activities is not intended for the ordering of materials. Any ordering of materials, based on the Schedule of Activities, is at the Contractor's risk.
- 8 Activity Schedule and pricing to be submitted should be at a detailed level.
- 9 No variations will be considered for any omissions by the tenderer.
- 10 The contract price shall remain fixed for the duration of the contract and will not change with any fluctuations in foreign exchange and CPAP.



The activity schedule needs to be provided by the tenderer. The Tenderer may expand on this activity schedule, to include any additional activities as deemed necessary.

Example of inclusions

Designs

Foundation

Floor Slab

Brickwork Etc

The priced Schedule of Activities (to be compiled by Contractor), following hereafter will form an integral part of the "Contract" between the successful appointed Contractor and the Employer.

I, _____ of _____,
(Authorised Signatory) (Company Name)

Hereby acknowledge having read, understood and agree to requirements as set out in C2.3 and warrant that the documents submitted are true and accurate.

(Signature)

(Date)

No	Description	Unit	Qty	Rate	Amount
1.	Preliminary and General Costs				
	Preliminary & General Costs (with associated site establishment) including an allowance for the employment of a CLO for the duration of the Contract (R8000 pm plus R500 pm cellphone allowance).	Sum	1		
2	IDMS Stage 3: Design Development				
	Review and Design Development of the Works (incorporating the existing concept design SDP provided in Annexure. The design development should include, but is not limited to, water and sanitation , stormwater, geotechnical investigations, structural design and any other investigations required for the successful completion of the project. Note: this includes the satisfactory completion of the information required for the Employer's information system (EFMS).	Sum	1		
3	IDMS Stage Gate 4: Detailed Design				
	Development of the detailed design documentation, management of all statutory approvals (Environmental, Municipality, Department of Labour etc.) and a detailed Pricing Schedule for all parts of the Works. Note: this includes the satisfactory completion of the information required for the Employer's information system (EFMS).	Sum	1		
4	IDMS Stage Gate 5: Works				
	Supply, delivery and Construction of all of the Works as approved by the Client in Stage Gate 4 Preliminary & General Costs (with associated site establishment) including an allowance for the employment of a CLO for the duration of the Contract (R8000 pm).and all resources required to meet the requirements of the OHS Act 85 of 1993, as amended. Note: this includes the satisfactory completion of the information required for the Employer's information system (EFMS).	Sum	1		
5	IDMS Stage Gate 6: Handover				
	Production, documentation and delivery of all the requirements for meeting the	Sum	1		

No	Description	Unit	Qty	Rate	Amount
	terms of practical completion. Note: this includes the satisfactory completion of the information required for the Employer's information system (EFMS).				
6	IDMS Stage Gate 7: Close-Out				
	Production, documentation and delivery of all the requirements for meeting the terms of final completion (Final Accounts, Close-Out Report, As-built drawings etc.). Note: this includes the satisfactory completion of the information required for the Employer's information system (EFMS).	Sum	1		
7	Additional Services		-		-
7.1	Professional Architect	Hourly Rate Only	-		-
7.2	Professional Engineer	Hourly Rate Only	-		-
7.3	Professional Quantity Surveyor	Hourly Rate Only	-		-
7.4	Professional Town Planner	Hourly Rate Only	-		-
	SUB-TOTAL				
	CIDB ALLOWANCE AS PER REGULATION @ 0.02%				
	SUB-TOTAL				
	15% VAT				
	TOTAL (To be carried to form of Tender)				

C2.4 AMENDMENTS, QUALIFICATIONS AND ALTERNATIVES BY TENDERER

- Use this page as a cover page to the *Amendments, Qualifications and Alternatives by Tenderer*.
- Unless otherwise stated in the tender data, amendments, qualifications and alternatives shall be recorded here



PAGE	CLAUSE OR ITEM	PROPOSAL
		<hr/>

I, _____ of _____,
 _____ (Authorised Signatory) _____ (Company Name)

Hereby acknowledge having read, understood and agree to requirements as set out in C2.4 and warrant that the documents submitted are true and accurate.

 _____ (Signature) _____ (Date)

PART 3: SCOPE OF WORK

NEC 3 Engineering and Construction Contract Option A: Priced Contract with *Activity Schedule* of April 2013 (including amendments).

Document reference	Title	No of pages
	This cover page	1
C3.1	Employers Works Information	3
C3.2	Contractors Works Information	6
C3.3	Particular Specifications	1
C3.4	Drawings	1
	Total number of pages	35

C3.1 EMPLOYERS WORKS INFORMATION

The following standards and any other relevant documentation pertaining thereto must be studied and all principles in this regard must be applied to all procurement documentation, practices and procedures.

Area	Reference
Lightning Protection	SANS 10200:1985.
Lightning Protection	SANS 61024 – Protection of structures against lightning.
Lightning Protection	SANS 62305 – Earthing and Lightning Protection.
Lightning Protection	SANS 10313:2008 Protection against lightning – Physical damage to structures and life Hazard.
Earthing and Grounding	SANS 10292:2001
Control and Monitoring System	R842: Government Gazette, 8 August 2008
Quality	SANS 9001/150 9001 – Quality Management Standard
Quality	Standard for Quality Management Systems (ISO) 9001:2015
Safety	Pressure Equipment Regulations, 2009
Safety	Major Hazard Installation Regulations, 2001
SANS 347:2012	Categorization and conformity assessment criteria for all pressure equipment.
Health	National Norms and Standards relating to Environmental Health in terms of National Health Act, 2003 (Act Nr 61 of 2003)
General	Preferential Procurement Policy Framework Act, 2000: Preferential Procurement Regulations, 2022.

The following design standards are applicable for the project:

- SANS 10160 Parts 1, 2, 3 & 4 - Basis of Structural Design and Actions for Buildings and Industrial Structures to determine the loads sustained by the structural elements.
- SANS 10161& 10400-H Foundations for the design of foundations.
- SANS 10100 Parts 1 & 2 - The Structural Use of Concrete for reinforced concrete designs and construction.
- SABS 0144 - Detailing of Steel Reinforcement for Concrete for reinforcing steel detailing.
- SANS 10162 Parts 1 & 2 The structural use of steel
- SANS 10163 Parts 1 & 2 The structural use of timber
- SANS 2001-CCI - Construction Works: Concrete Works (Structural) SANS 2001-CSI - Construction Works: Structural Steelwork
- SANS 13822 Bases for Design of Structures - Assessment of Existing Structures

- The South African National Standard: Code of Practice for “The Application of the National Building Regulations” i.e. those included in the “National Building Regulations and Building Standards Act, 1977 (Act 103 of 1977)”, as published in the Government Gazette, number 31084, dated 30 May 2008, which became effective as of 01 October 2008, and known as “SANS 10400 - 2010”
- SANS 204-1: 2008 - Energy Efficiency in Buildings: Part 1 - General Requirements,
- SANS 204-2: 2008 - Energy Efficiency in Buildings: Part 2 - The Application of the Energy Efficiency Requirements for Buildings with Natural Environmental Control,
- SANS 204-3: 2008 - Energy Efficiency in Buildings: Part 3 - The Application of the Energy Efficiency Requirements for Buildings with Artificial Ventilation or Air-conditioning,
- SANS 507-1: (NRS 034-1: 2007) Electricity Distribution - Guidelines for the Provision of Electricity Distribution Networks in Residential Areas (Part 1: Planning and Design of Distribution Networks)
- SANS 10114-1: 2005: Interior Lighting
- South African National Standard: SANS 10142-1: 2003 - The Wiring of Premises: Part 1 - Low-voltage Installations, as amended
- SANS 164: Plug and socket outlets systems for household and similar purposes for use in South Africa
- “SANS 0313 - 1999: The Code of Practice for “The Protection of Structures against Lightning”
- any other relevant by-laws of the Local Authorities.
- The Occupational Health and safety act, 1993 (Act 85 of 1993)
- STS1 -Standard Specification for Air Conditioning and Ventilation Issue No. XI of 1998
- STS 5- Standard Specification for the Electrical equipment and Installation Mechanical Services Issue IXa, of December 1999
- PW 371 -Specification of Materials and Methods to be used. Fourth revision, October 1993
- SANS 69- Framework for setting and implementing national ambient air quality standards
- Fire Security: Standard Technical Specification for an Inert Gas Agent Extinguishing System : FPO 4E (PW 335): January 1999
- Fire Security: Standard Technical Specification for an Automatic Fire Alarm Installation : FPO 5E (PW 336) : June 1994
- Standard Technical Specification for the Preventive Maintenance, Servicing and Repair of Fire Security Installations (PW 341) : November 2000
- SANS 6211 Domestic solar water heaters: thermal performance
- SANS 10106 The installation, maintenance, repair and replacement of domestic solar water heating systems.

C3.2 CONTRACTORS WORKS INFORMATION

1 DESCRIPTION OF THE WORKS

1.1 Employer’s objectives

The primary objective of the project is to procure a turnkey contractor for the planning, designing, construction and commissioning of Mthingwevu SSS, Eastern Cape.

Employer’s objectives

The Client wishes to procure an effective and efficient Turnkey contractor from suitably qualified and experienced grade 8 GB or higher contractor to planning, designing, construction and commissioning of Mthingwevu SSS, Eastern Cape.

Overview of the works

- a) Build 20 new Classrooms. Admin Block, Nutrition Centre, Computer Room, Multipurpose Classroom, Science Laboratory, Library and 17 toilets, including all associated siteworks, including Elevated tank and security fencing
- b) Electrical Works
- c) Mechanical Works

New Classrooms: 60 square meter classrooms
Administration Block: Large Admin (up to 1000 learners)

- Principal Office x 1
- Deputy Principal Offices x 2
- Admin Office
- Reception Area
- Storage
- Strong Room
- Staff Room
- Counseling Room
- 2x Sick Rooms
- 1x Staff Kitchenette
- 4x HOD Offices
- 1x Printing Room

4x HODs (Attached to classroom blocks)

Dining and Nutrition Center

Large DNC with Eating Area, Scullery, refuse yard, kitchen, day store, dry store
 Veg store, verandah, goods arrival and gas storage

- Computer Room – 1 required
- Multipurpose Classroom – 1 required
- Science Laboratory – 1 required
- Library – 1 required

ABLUTIONS	Toilets	Basin
Girls	14	8
Boys	6	4
Diabbled	2	2
Female Staff	3	2
Male Staff	1	2

	VOLUME 3 OF 3 NEC3 ECC OPTION A THE CONTRACT	TENDER NO. SCMU6-24/25-0007 THE APPOINTMENT OF A CONTRACTOR(TURNKEY) TO PROVIDE ADDITIONAL CLASSROOM AT MTHINGWEVU SSS, EASTERN CAPE
--	---	---

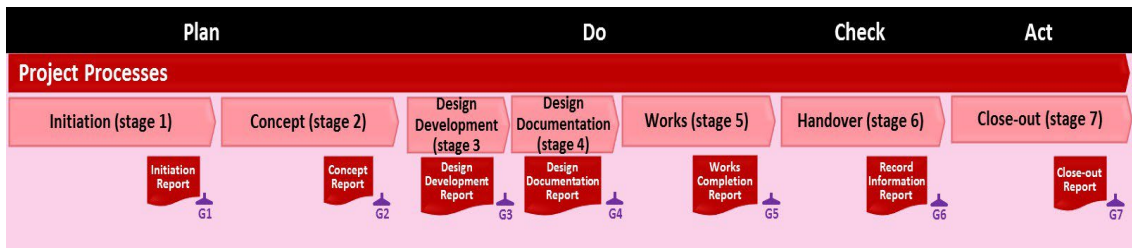
Total Toilets Required	26	18
------------------------	----	----

- Parking
- Elevated Water Tanks
- Borehole Fixing
- Electricity
- Fencing

In this section C3.2 the term client shall have the meaning ascribed to the term Employer in terms of this NEC3 ECC Option A Agreement,

The DOE as an Implementing Agent will do the following for the remaining period of the contract:

- Procure, appoint Contractor
- Facilitate briefing session
- Evaluate bids and make recommendations,
- Manage and supervise the works by the Contractor during implementation
- Conduct regular meetings with the Contractor
- IDMS Stage gate Monitoring



- Report at regular meetings held by DOE
- Conduct site inspections during construction
- Continuous engagement with the relevant stakeholders
- Close the programme

Definition of pricing

- The Bidder / Supplier / Contractor must quote in full for the design and construction of a Mthingwevu SSS on a turnkey basis.
- The supplier must investigate and calculate the required electricity supply for the functionality of the facility.
- The supplier must price for connection of all services from the point at which the employer such indicates the connection point during construction. Such prices must include electrical cabling, water pipes, and sewerage pipe.
- The contractor must price for all regulatory cost requirements including registration of project with Department of Labour, Municipalities, Eskom, and others.
- Bidder must investigate and calculate the Mechanical requirements including Fire compliance for the functionality of the facility.
- The supplier must cater for site investigation (including scop report).
- Decanting Facilities during construction: Making use of Existing Classrooms and new prefabricated classrooms including the removal of the decanting site to a school not further than 200Km radius after construction

Contract management

The bidder must price for all contract management responsibilities, construction health and safety requirements.

All costs must be in line with the applicable guidelines of respective Professional Councils at the time of RFP closing, and all personnel appointed must be in possession of active professional registration.

For commencement of works all designs must be signed off by the respective professionals in line with SANS regulations.

Compliance to municipal bylaws – issuing of occupation certificate

Supplier shall liaise with local municipalities to seek all permits for intended use within 1 weeks after appointment.

The supplier shall develop and submit safety management plans to respective regulatory bodies within 1 weeks after appointment.

CONDITIONS OF BIDDING AND FORMS OF CONTRACT

- The bidder is responsible for all designs and associated costs
- The bidder shall not have any claims for costs reimbursements should their bid not be

Successful

- Stage 2 – 7 Approvals are required in this project from the bidder.
- All bids received shall be deemed in whole that they have considered all permutation for delivering the project / product is requested by the employer
- The bidder must support bid offer price with detailed activity schedule and condition assessment for ease of evaluation, and work management.
- The bidder's works and specifications shall comply to all Legislations and Regulations associated to the construction industry
- The employer reserves the rights to renegotiate the prices and conditions offered by the bidder
- All bids shall be received as the stipulated date and time of bid submission
- The employer shall provide access to the site earmarked for development
- The employer shall not pay for any deposit prior to commencement of works by successful bidder
- All payments for the contractor shall be payable as per the conditions of contract or where sectional completion is applicable, the supplier shall submit their claims after approval of works deemed complete by the employer
- The successful bidder is expected to conclude and sign the service level agreement prior to commencement of the contract
- Should both the bidder and employer not reach agreement with respect to content, context, and legal framework of Service Level Agreement, the employer reserves the right to withdraw the appointment
- The Contract to be used for the construction of the works shall be NEC3 option A with an activity schedule.

1.2. Occupational Health and Safety

The Turnkey Contractor needs to comply with the following legal requirements:

- Occupational Health and Safety Act, 85 of 1993, Edition 23 (latest edition) and Construction Regulation 2014
- Code of Practice: Managing exposure to SARS-CoV-2 in the workplace
- Annexure A – DOE Occupational Health and Safety Baseline specification
- Annexure B – DOE Baseline Risk Assessment
- Annexure C - Safety, Health, Environment and Quality Policy.



C3.3 PARTICULAR SPECIFICATIONS

In addition to the Standardized and Project Specifications the following Particular Specifications shall apply to this contract and are separately bound in hereafter.

PARTICULAR SPECIFICATION

PAGE NO.

C3.4 DRAWINGS

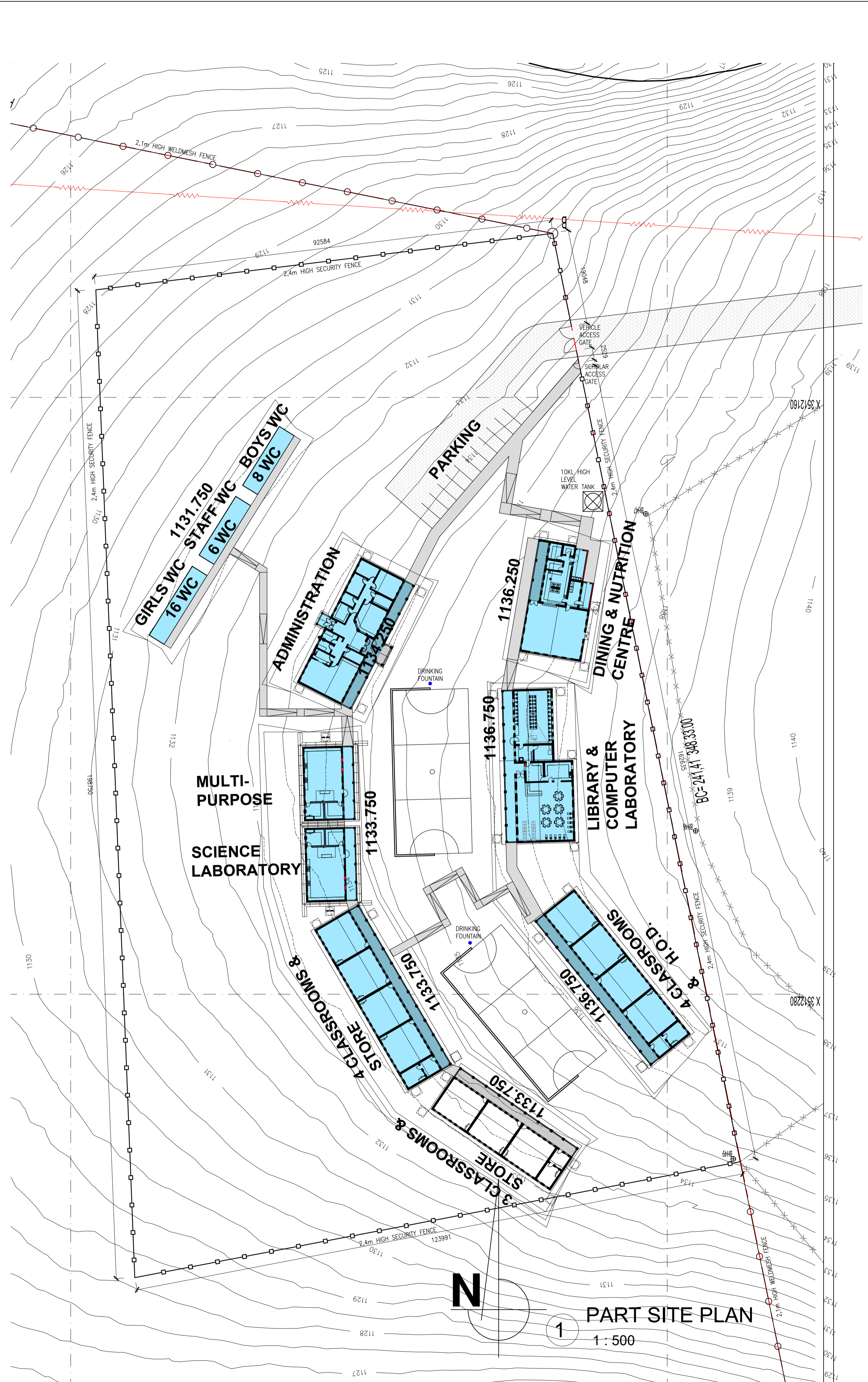
3.4.1 TENDER DRAWINGS

Note: Drawings are attached in the form DOE standard drawing norms

Document reference	Title	No of pages
	This cover page	1
	SDP Rev 4	1
1920-AR-TEN-3CL-1100	Class_HOD	1
1920-AR-DES-172	4 Class_HOD Ceiling	1
1920-AR-DES-171	4 Class_HOD Elevations	1
1920-AR-DES-170	4 Class_HOD Plan	1
1920-AR-DES-166	Computer Joinery Elevations	1
1920-AR-DES-164	Computer Joinery Plan	1
1920-AR-DES-154	DNC Joinery Elevations	1
1920-AR-DES-153	DNC Joinery Plan	1
1920-AR-TEN-DNC-1100	DNC Plan and Elevation	1
1920-AR-DES-602	Flag Pole_Fencing Details	1
1920-AR-DES-165	Library Joinery Elevations	1
1920-AR-DES-163	Library Joinery Plan	1
1920-AR-DES-162	Library_Computer Ceiling	1
1920-AR-DES-161	Library_Computer Elevations	1
1920-AR-DES-160	Library_Computer Plans	1
1920-AR-DES-132	Multi Purpose Ceiling	1
1920-AR-DES-133	Multi Purpose Elevations	1
1920-AR-DES-135	Multi Purpose Joinery Elevations	1
1920-AR-DES-134	Multi Purpose Joinery Plan	1
1920-AR-DES-130	Multi Purpose Plan	1
1920-AR-DES-131	Multi Purpose Roof	1
	200300134 - SDP	1
	Site Contour	1
	Site Image	1
1920-AR-DES-184	Science Lab Joinery Elevation	1



1920-AR-DES-185	Science Lab Joinery Elevations 2	1
1920-AR-DES-183	Science Lab Joinery Plan	1
	Typical H.O.D Layout	1
	Typical H.O.D Section[13]	
	Total number of drawings	30



AERIAL VIEW

NOTE:
 ALLOW FOR GEO-HYDROLOGICAL INVESTIGATION AND BOREHOLE WITH WIND DRIVEN PUMP FENCED WITH CLASS A FENCING AROUND WIND DRIVEN PUMP AND BOREHOLE. RETICULATION FROM BOREHOLE TO HIGH LEVEL WATER TANK, WATER PUMP, WATER FILTERS AND RETICULATION TO DRINKING FOUNTAINS

MTHINGWEVU SSS(E=446)MEDIUM
 Enrolment 446

Build 10 new classrooms, Admin Block and two HOD offices, Nutrition Centre, Computer room, Multipurpose classroom, Science Laboratory and 15 toilets, including associated siteworks, including

Renovate Existing Structures
 Demolish Dilapidated Structures
 New Classrooms 60 square meter classrooms.
 Administration Block **Medium Admin (upto 680 learners)**
 Principal Office x 1
 Deputy Principal Offices x 1
 Admin Office
 Reception Area
 Strong Room
 Staff Room
 1 x Sick Rooms
 1 x Staff Kitchentte
 2 x HOD Offices
 1 x Printing Room

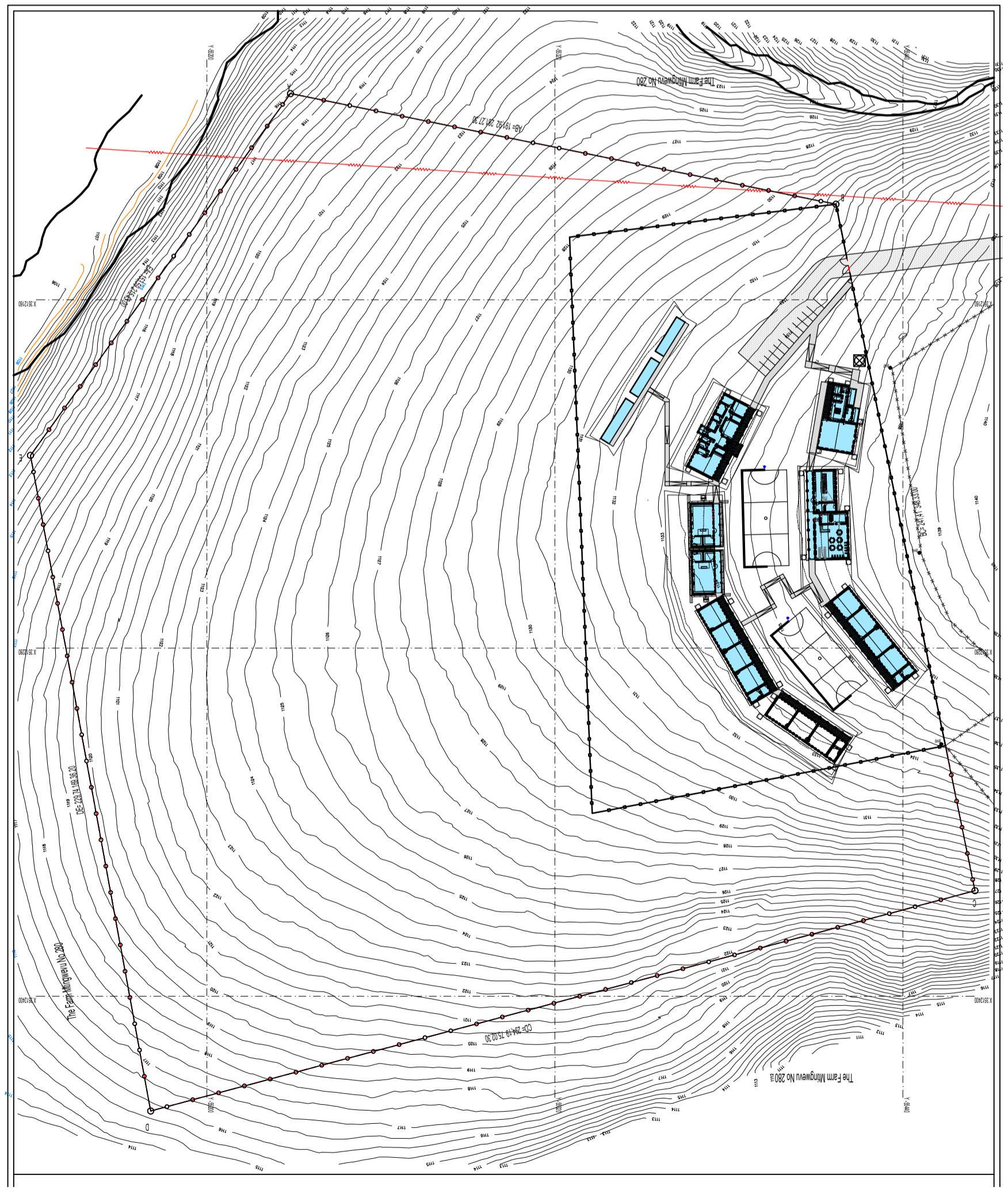
Dining and Nutrition Center 2 x HODs attached to classroom blocks
 Medium DNC With Eating Area, scullery, refuse yard,kitchen, day store,dry store, veg store, veranda, goods arrival and gas storage

Computer Room 1 required
 Multipurpose Classroom 1 required
 Science Laboratory 1 required
 Library 1 required

	Toilets	Basins	Urinals
Girls	8	6	
Boys	4	3	4
Disabled	1	1	
Female Staff	2	1	
Male Staff	1	1	1
Total Toilets Required	16	12	5

Parking
 Elevated Water Tank
 Borehole Fixing
 Electricity
 Fencing

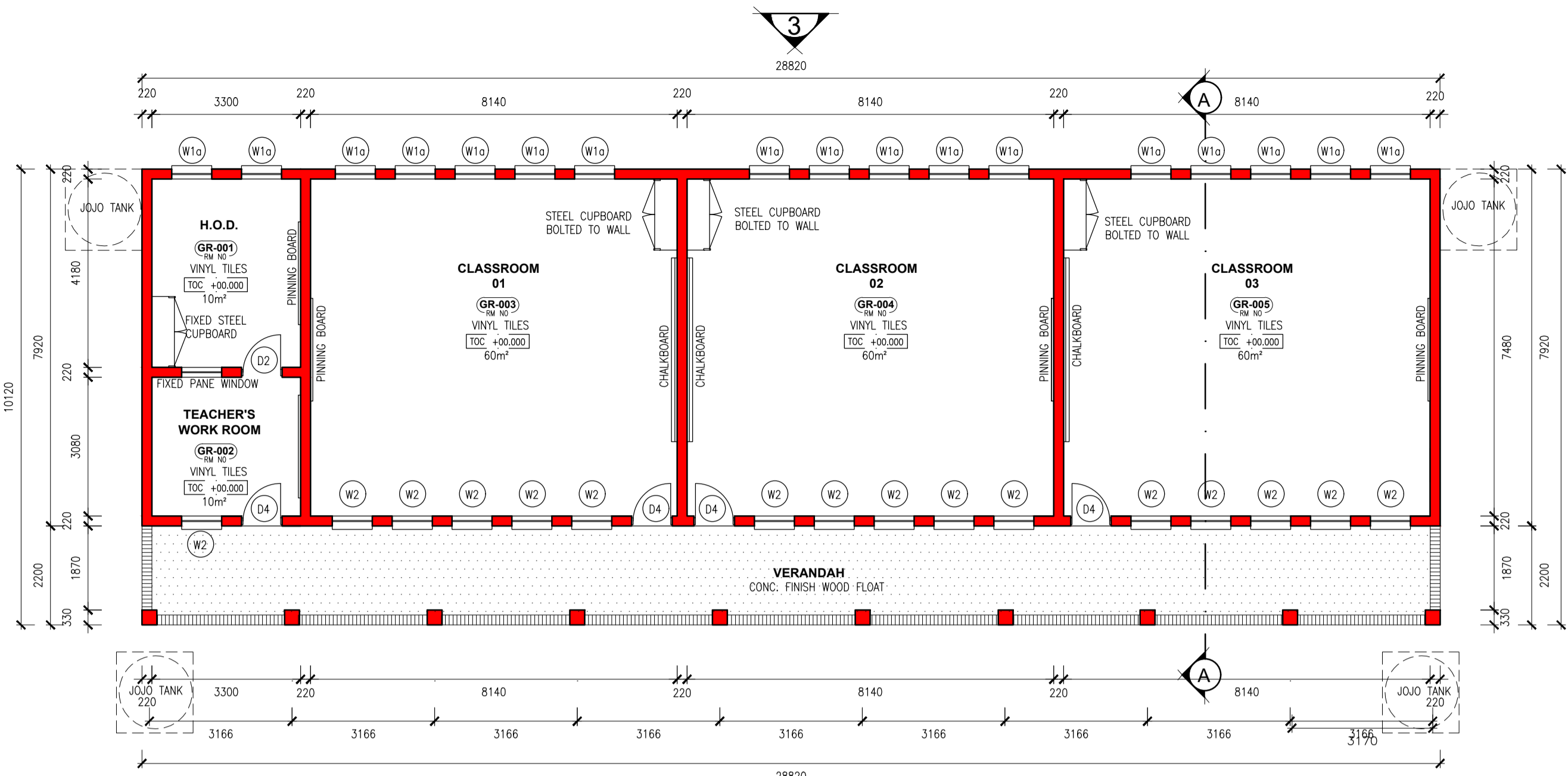
High Security
 Medium Security
 Low Security



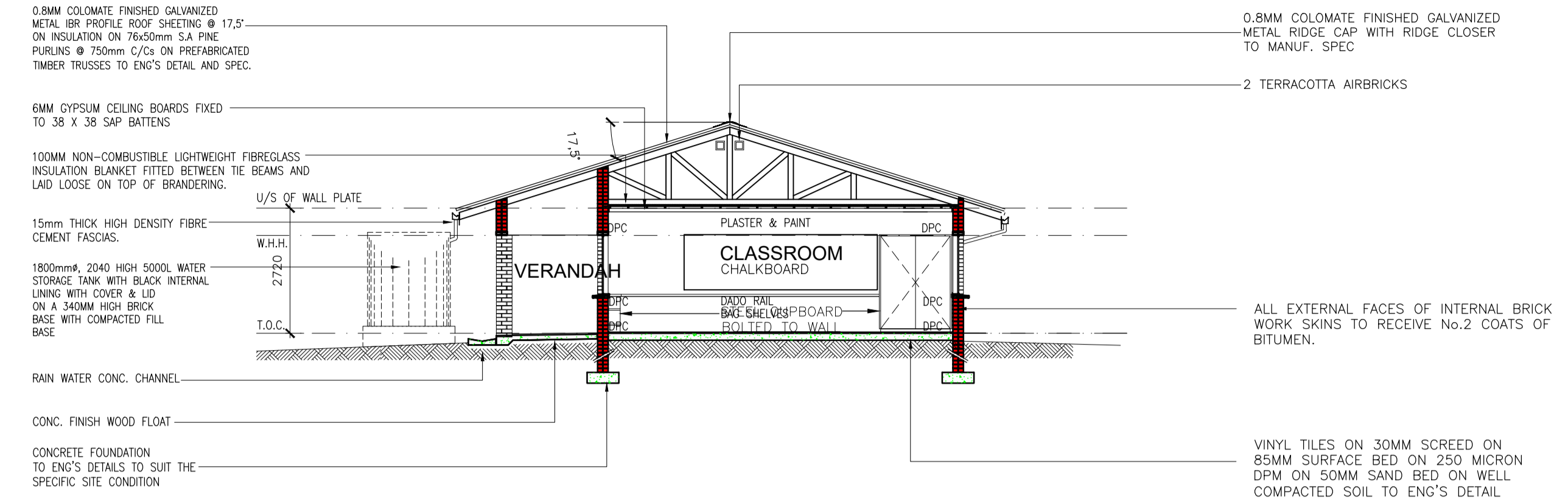
2 SITE PLAN
 1 : 1500

REV	DATE	DESCRIPTION
01		

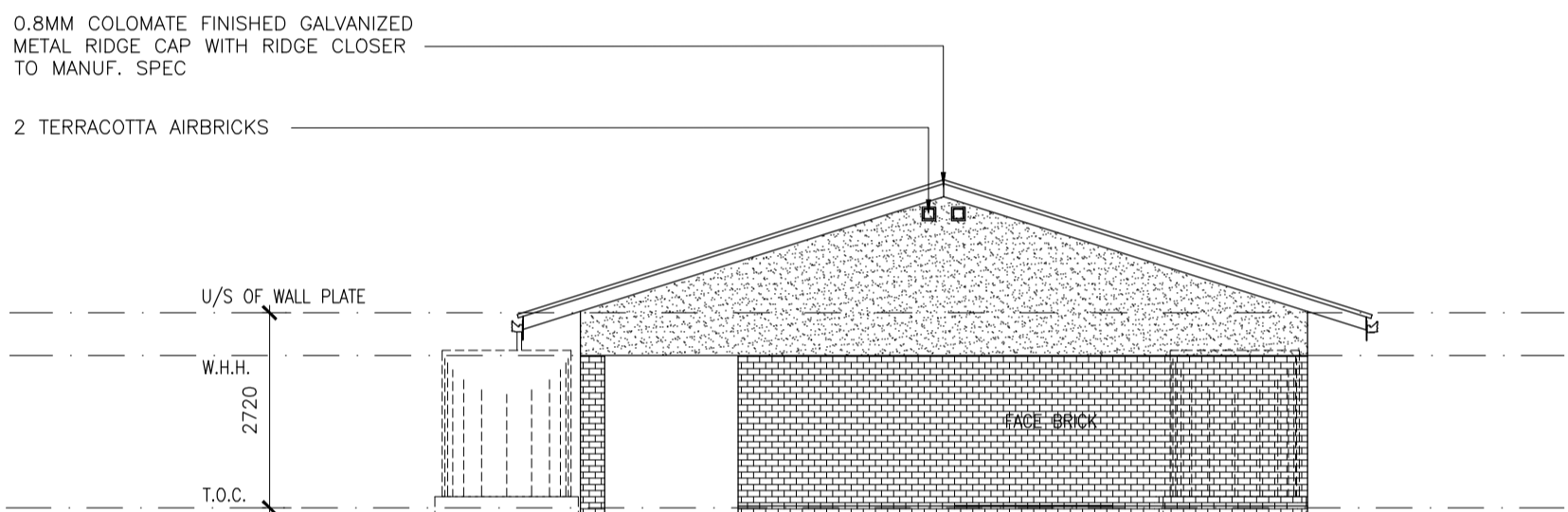
SCHOOL: MTHINGWEVU SSS
 REF: PSU - 1920
 DESCRIPTION: SITE DEVELOPMENT PLAN
 CLIENT: Province of the EASTERN CAPE EDUCATION
 IMPLEMENTING AGENT: BTKM
 PROJECT NO: PSU - 1920
 DATE: OCT 2022
 SCALE: 1:500



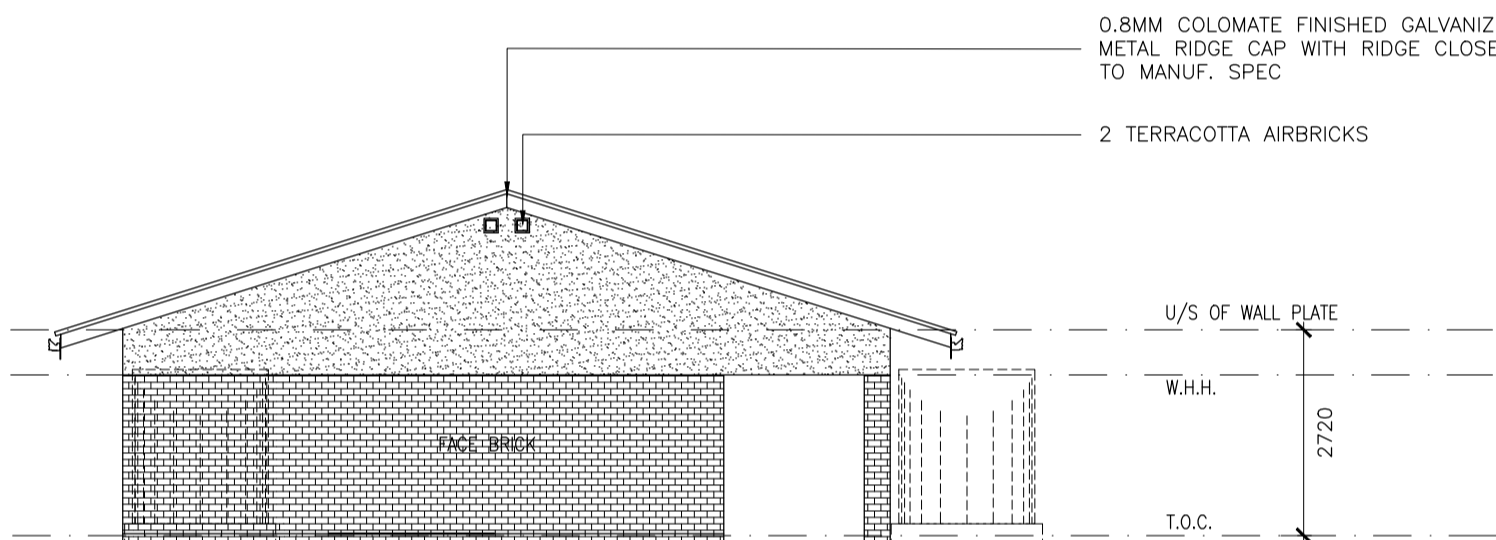
CL-3+HOD_D PLAN - EDUCATION SPACES - 3 CLASSROOM WITH HOD
scale 1:100



TYPICAL SECTION A-A
scale 1:100



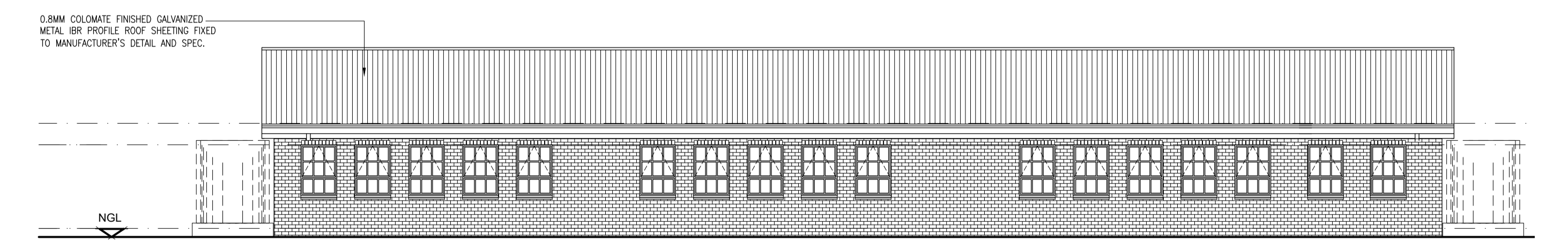
ELEVATION - 2
scale 1:100



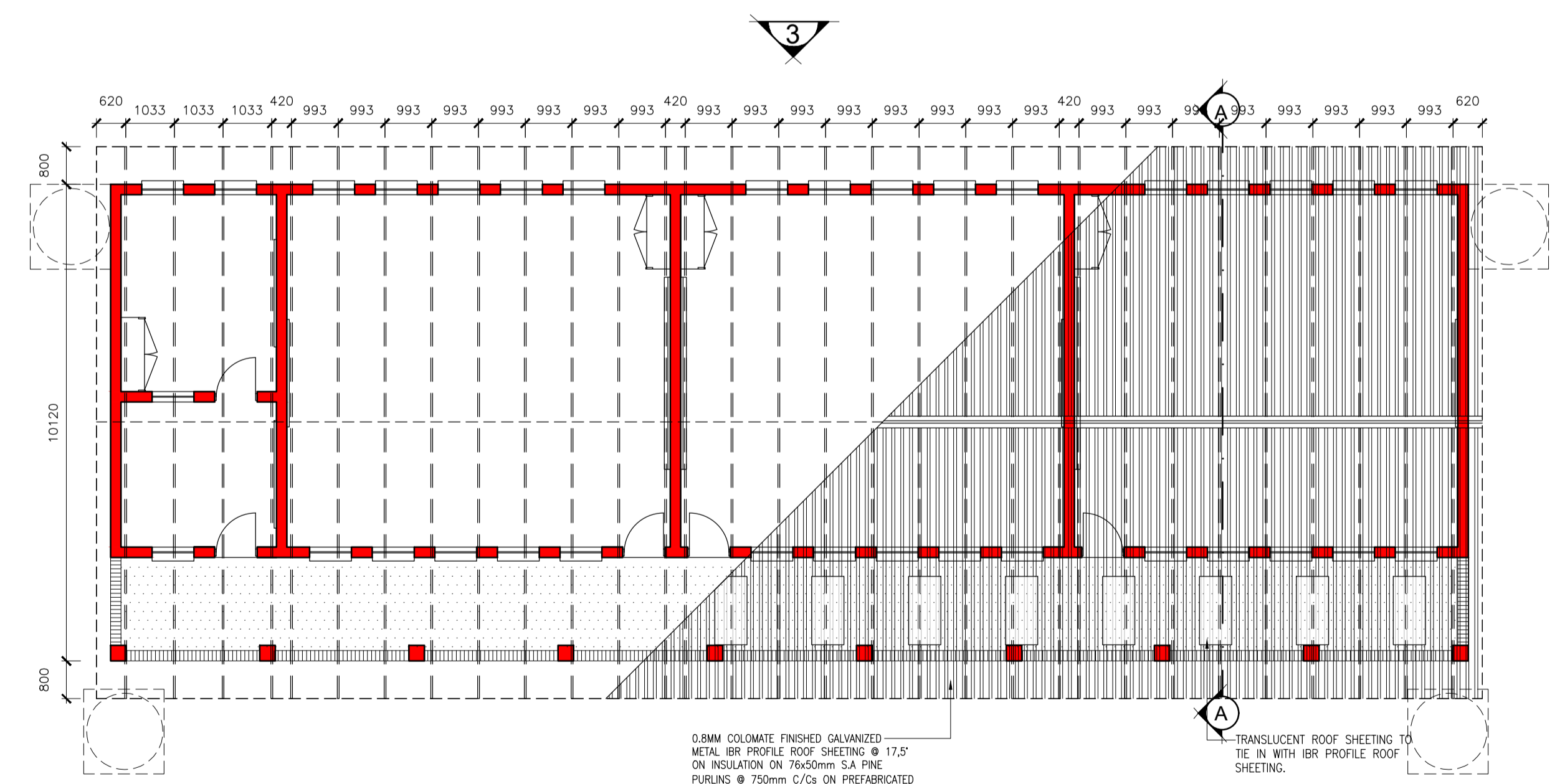
ELEVATION - 4
scale 1:100



ELEVATION - 1
scale 1:100



ELEVATION - 3
scale 1:100



CL-3+HOD_D PLAN - EDUCATION SPACES - 3 CLASSROOM WITH HOD
scale 1:100

MUNICIPAL STAMP
COPYRIGHT NOTE
GENERAL NOTES

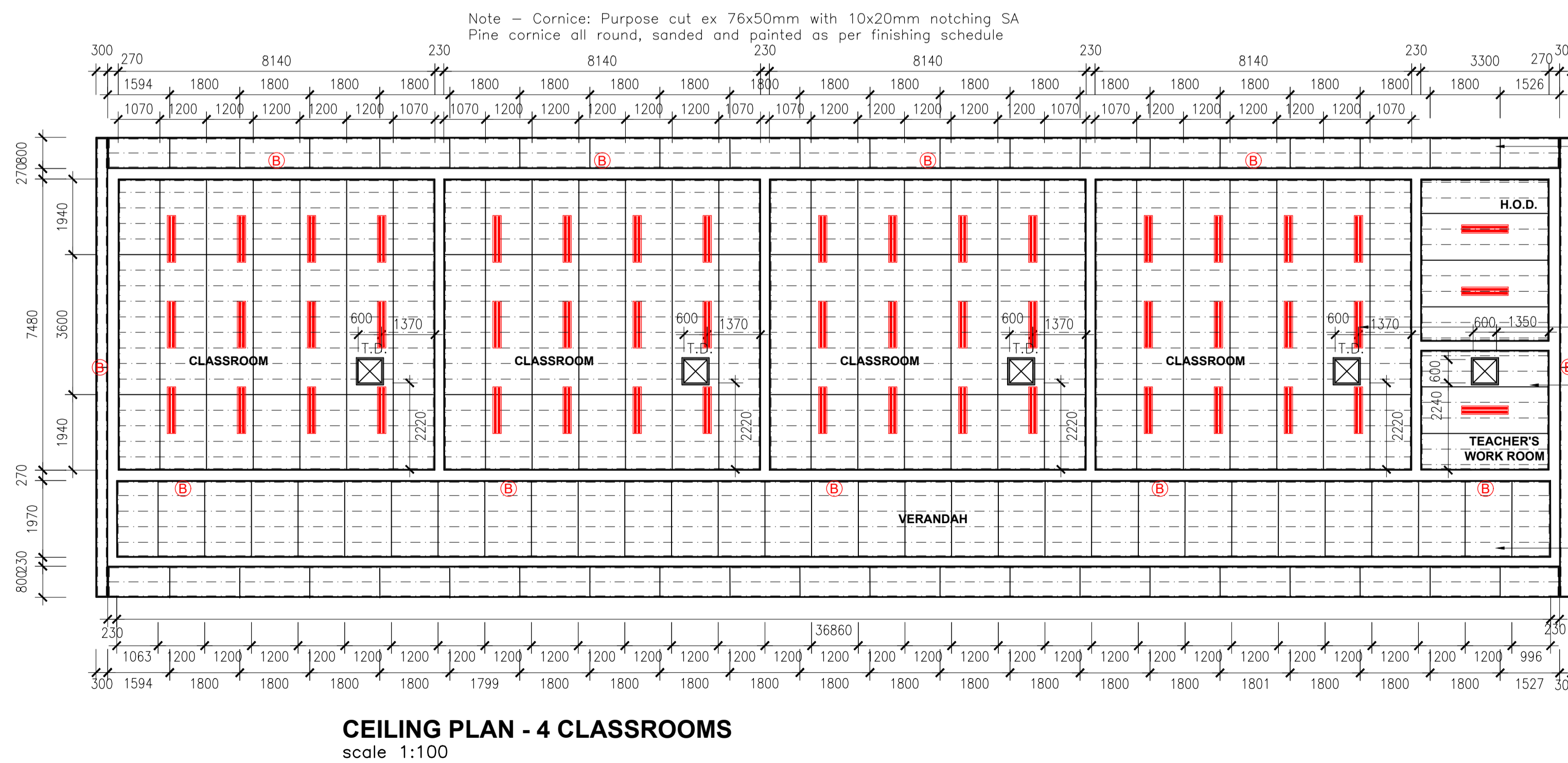
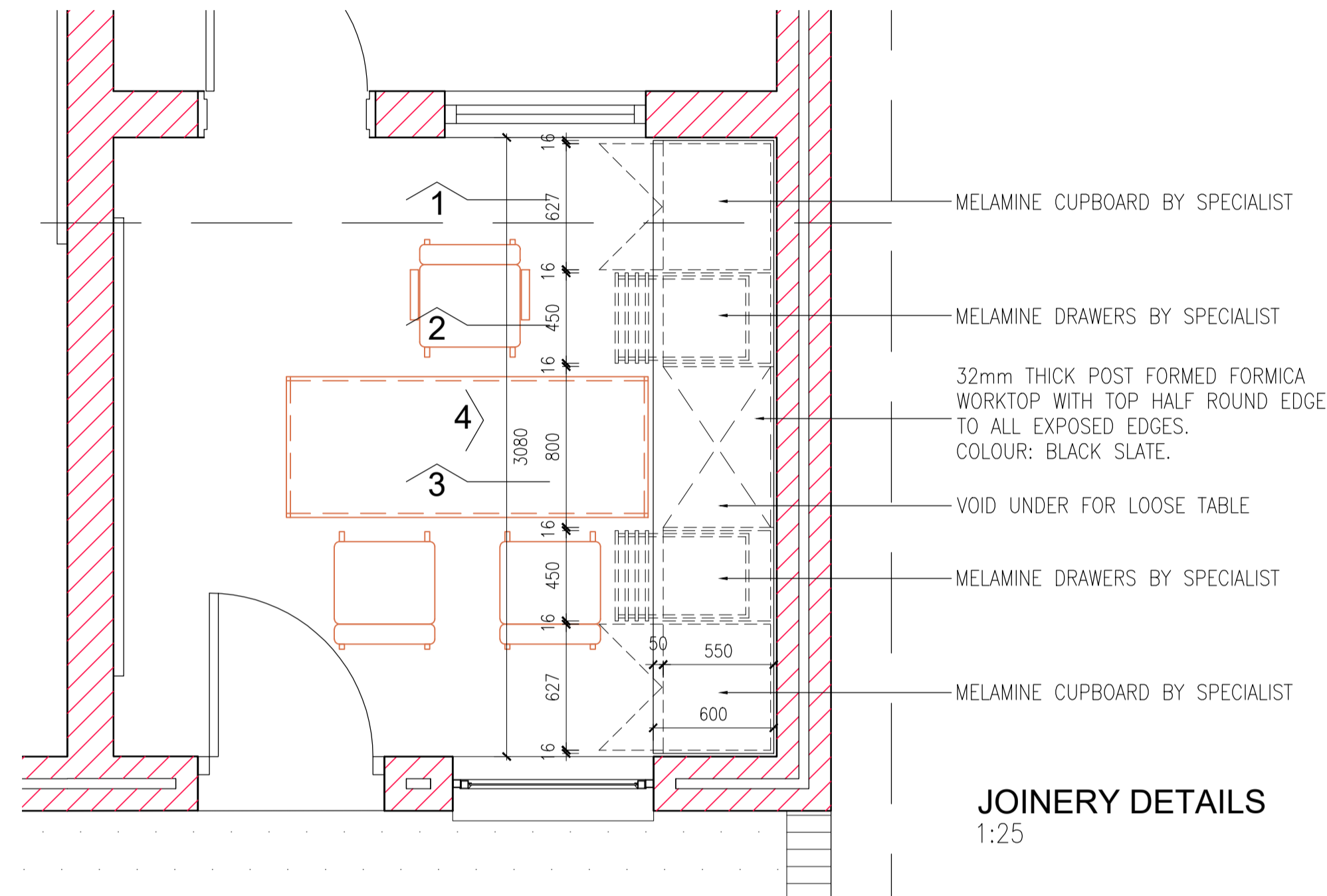
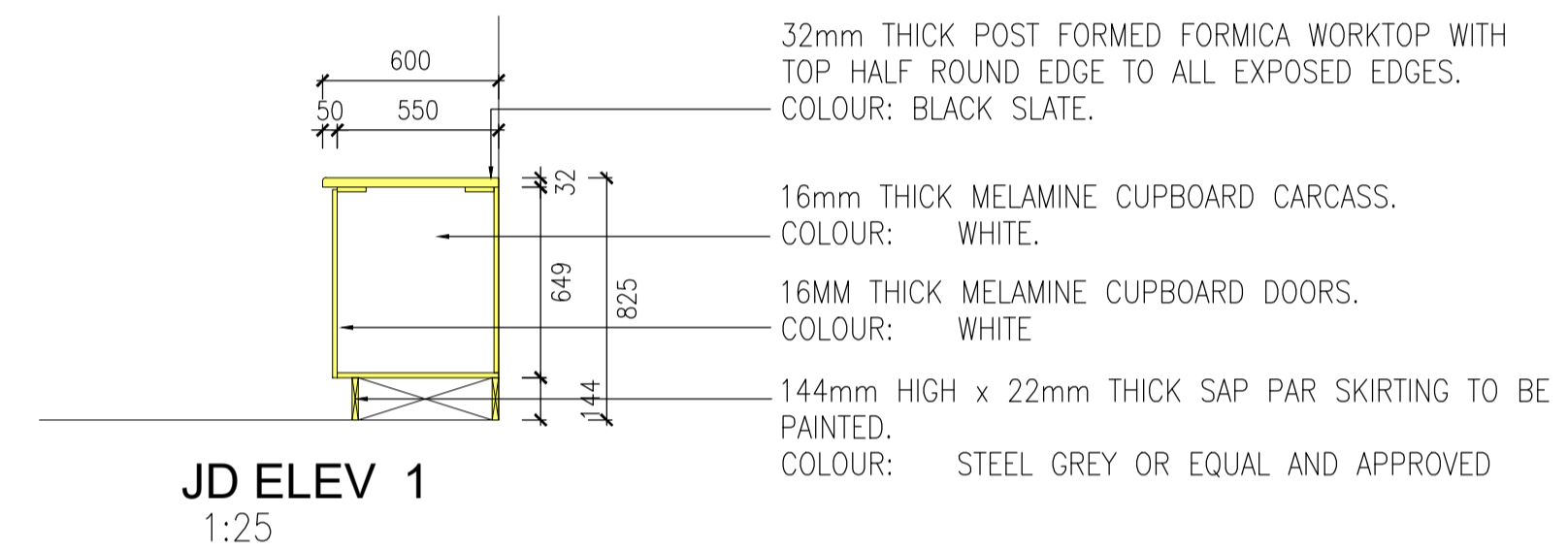
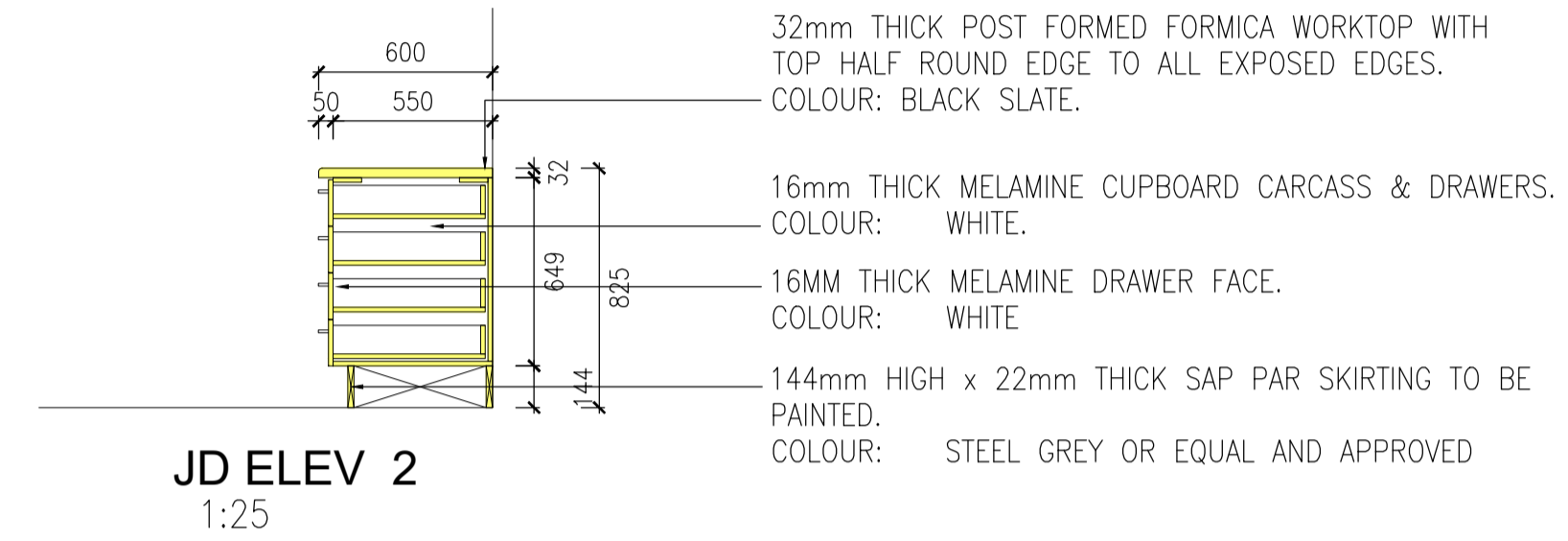
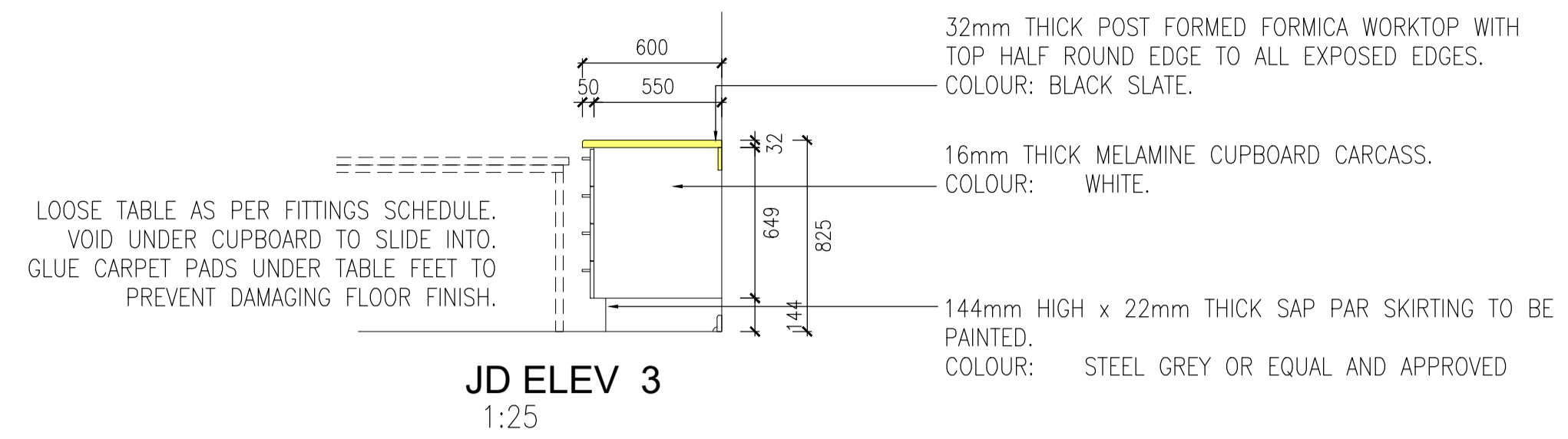
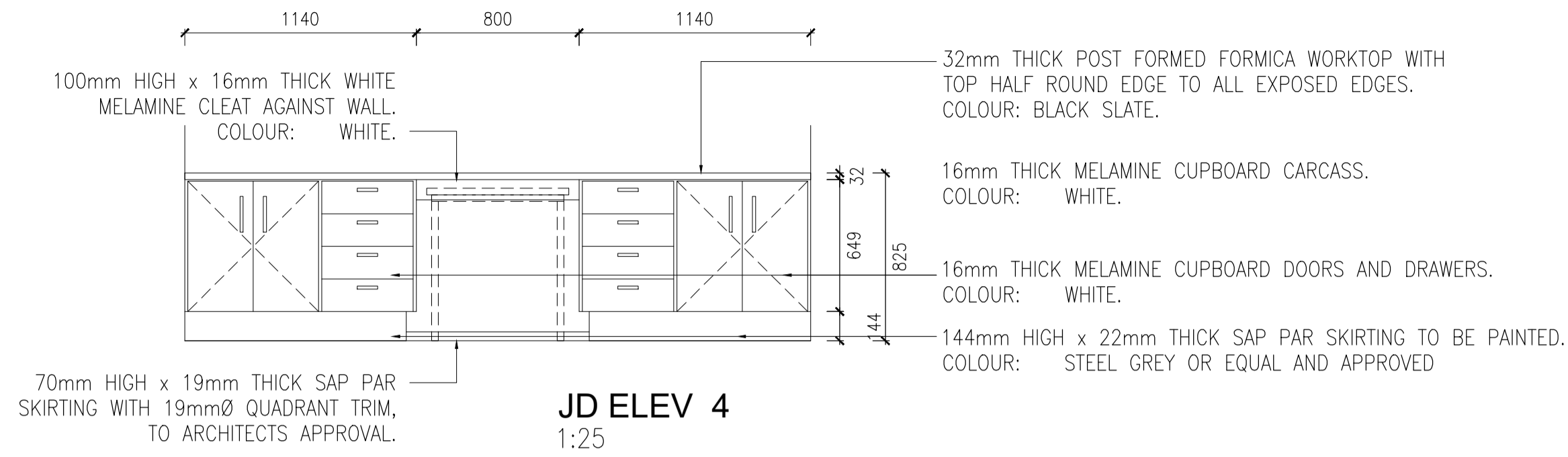
THIS DRAWING IS SUBJECT TO COPYRIGHT AND MAY NOT BE REPRODUCED, IN WHOLE OR PART, OR IN ANY MANNER WHATSOEVER WITHOUT WRITTEN PERMISSION FROM THE ARCHITECT. ALL WORK TO BE CARRIED OUT STRICTLY IN ACCORDANCE WITH MUNICIPAL AND/OR LOCAL AUTHORITY REGULATIONS. DO NOT SCALE THIS DRAWING. FIGURED DIMENSIONS TO BE TAKEN IN PREFERENCE TO SCALING DRAWINGS. ALL RELEVANT DETAILS, LEVELS, AND DIMENSIONS TO BE CHECKED ON SITE PRIOR TO COMMENCEMENT OF WORK. ANY DISCREPANCIES TO BE BROUGHT TO THE ATTENTION OF THE ARCHITECT.

REV	DATE	DESCRIPTION
0	22-08-2023	ISSUED FOR CLIENT APPROVAL

PROJECT TITLE	MTHINGWEVU SS SCHOOL
PROJECT DESCRIPTION	ACCELERATED SCHOOLS INFRASTRUCTURE DEVELOPMENT INITIATIVE
DRAWING DESCRIPTION	3 CLASSROOM BLOCK & H.O.D.



PROJECT NUMBER	1920
DRAWING NUMBER	1920-AR-TEN-3CL-1100
DATE	AUG '23
SCALE	1:100



MUNICIPAL STAMP

CONSTRUCTION NOTES

ALL WORK TO BE CARRIED OUT STRICTLY IN ACCORDANCE WITH MUNICIPAL AND/OR LOCAL AUTHORITY REGULATIONS. DO NOT SCALE THIS DRAWING. FIGURED DIMENSIONS TO BE TAKEN IN PREFERENCE TO SCALING DRAWING. ALL RELEVANT DETAIL LEVELS AND DIMENSIONS TO BE CHECKED ON SITE PRIOR TO COMMENCEMENT OF WORK. ANY DISCREPANCIES TO BE BROUGHT TO THE ATTENTION OF THE ARCHITECT.

GENERAL NOTES

TRADE NAMES WHERE TRADE NAMES ARE SPECIFIED ON DRAWINGS, THE CONTRACTOR IS RESPONSIBLE TO SOURCE MATERIALS THAT ARE EQUAL OR OTHERWISE APPROVED BY THE DEPARTMENT OF ROADS AND PUBLIC WORKS.

HENDRIK KANISSE COMBINED SCHOOL
200100300

REV	DATE	DESCRIPTION
1	05.06.2016	FOR CLIENT APPROVAL
2	22.07.2016	UPDATE AS PER DOE COMMENTS
3	22.08.2023	FOR CLIENT APPROVAL
4	20.09.2016	UPDATE AS PER DOE COMMENTS

PROJECT TITLE
EASTERN CAPE SCHOOL BUILDING PROGRAMME

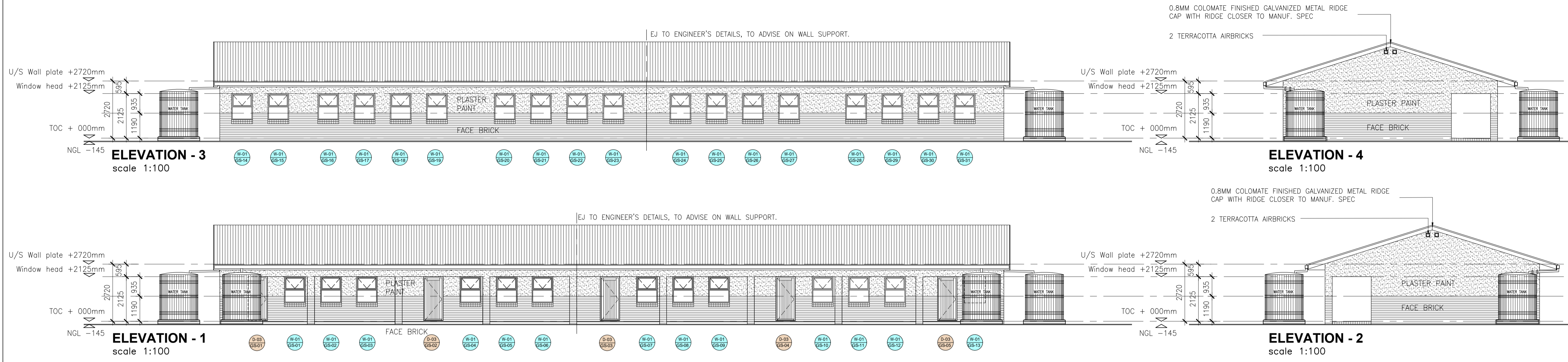
PROJECT LOCATION
MTHINGWEVU SS SCHOOL

DRAWING DESCRIPTION
CEILING PLAN, JOINERY DETAIL 4 CLASSROOM & HOD

CLIENT
Province of the EASTERN CAPE EDUCATION



PROJECT NO	1920
DRAWING NO	1920 - AR - DES - 172
DATE	AUG '23
SCALE	1:100 / 1:25
REVISION	REV 1



MUNICIPAL STAMP

CONSTRUCTION NOTES

ALL WORK TO BE CARRIED OUT STRICTLY IN ACCORDANCE WITH MUNICIPAL AND/OR LOCAL AUTHORITY REGULATIONS. DO NOT SCALE THIS DRAWING. FIGURED DIMENSIONS TO BE TAKEN IN PREFERENCE TO SCALING DRAWING. ALL RELEVANT DETAIL LEVELS AND DIMENSIONS TO BE CHECKED ON SITE PRIOR TO COMMENCEMENT OF WORK. ANY DISCREPANCIES TO BE BROUGHT TO THE ATTENTION OF THE ARCHITECT.

GENERAL NOTES

TRADE NAMES WHERE TRADE NAMES ARE SPECIFIED ON DRAWINGS, THE CONTRACTOR IS RESPONSIBLE TO SOURCE MATERIALS THAT ARE EQUAL OR OTHERWISE APPROVED BY THE DEPARTMENT OF ROADS AND PUBLIC WORKS.

0.8MM COLOMATE FINISHED GALVANIZED METAL IFR PROFILE ROOF SHEETING @ 17,5' ON INSULATION ON 76x50mm S.A PINE PURLINS @ 1050mm C/Cs ON PREFABRICATED TIMBER TRUSSES TO ENG'S DETAIL AND SPEC.

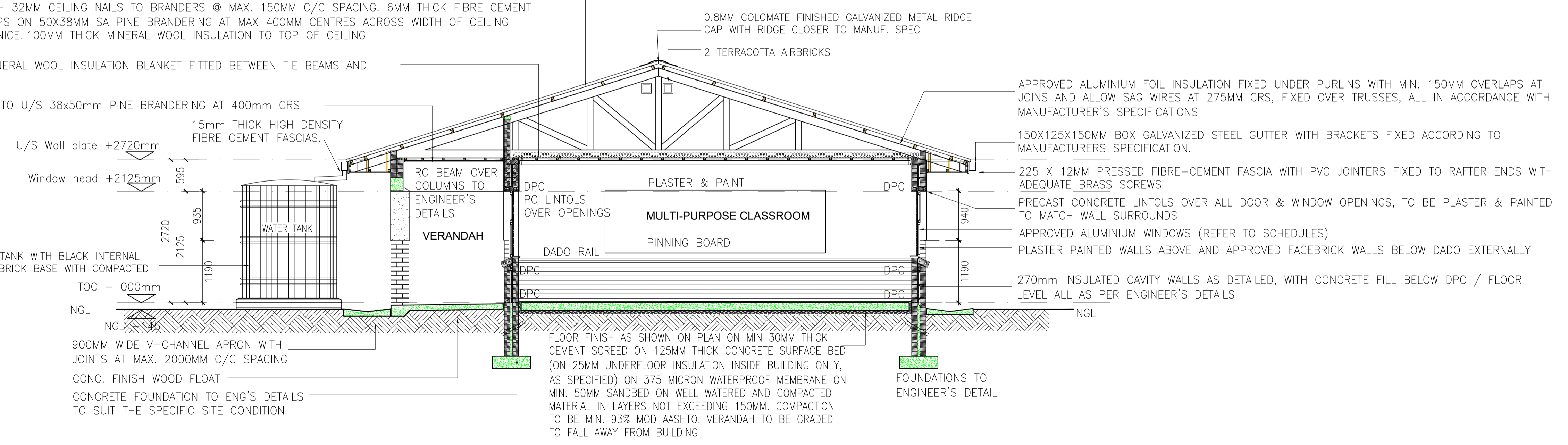
38 X 50MM S.A. PINE BRANDING NAILED & SKEW NAILED AT MAX. 400MM C/C SPACING ONE WAY TO UNDERSIDE OF TIE-BEAM. 6MM FIBRE CEMENT CEILING BOARDS NAILED WITH 32MM CEILING NAILS TO BRANDERS @ MAX. 150MM C/C SPACING. 6MM THICK FIBRE CEMENT CEILING BOARDS & PVC "H" JOINTING STRIPS ON 50X38MM SA PINE BRANDING AT MAX 400MM CENTRES ACROSS WIDTH OF CEILING BOARDS WITH PURPOSE MADE TIMBER CORNICE. 100MM THICK MINERAL WOOL INSULATION TO TOP OF CEILING

100MM NON-COMBUSTIBLE LIGHTWEIGHT MINERAL WOOL INSULATION BLANKET FITTED BETWEEN TIE BEAMS AND LAID LOOSE ON TOP OF BRANDING.

6mm CLADIT CEILING TO VERANDAH, FIXED TO U/S 38x50mm PINE BRANDING AT 400mm CRS

15mm THICK HIGH DENSITY FIBRE CEMENT FASCIAS.

1800mmø, 2040 HIGH 5000L WATER STORAGE TANK WITH BLACK INTERNAL LINING WITH COVER & LID ON A 340MM HIGH BRICK BASE WITH COMPACTED FILL BASE



TYPICAL SECTION A-A
scale 1:50

REV	DATE	DESCRIPTION
1	22.08.2023	FOR CLIENT APPROVAL

PROJECT TITLE: EASTERN CAPE SCHOOL BUILDING PROGRAMME

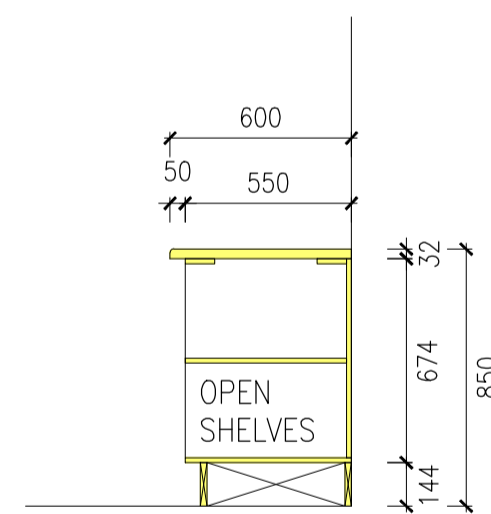
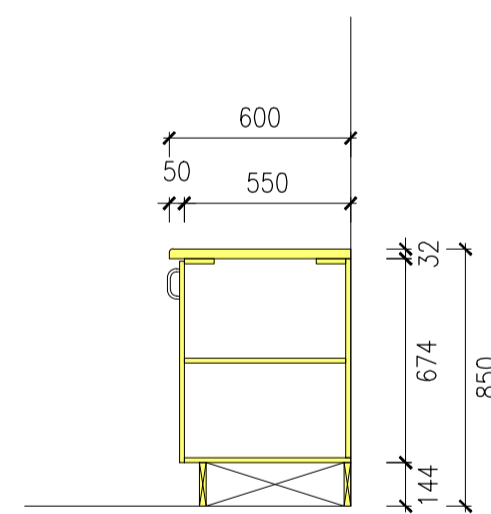
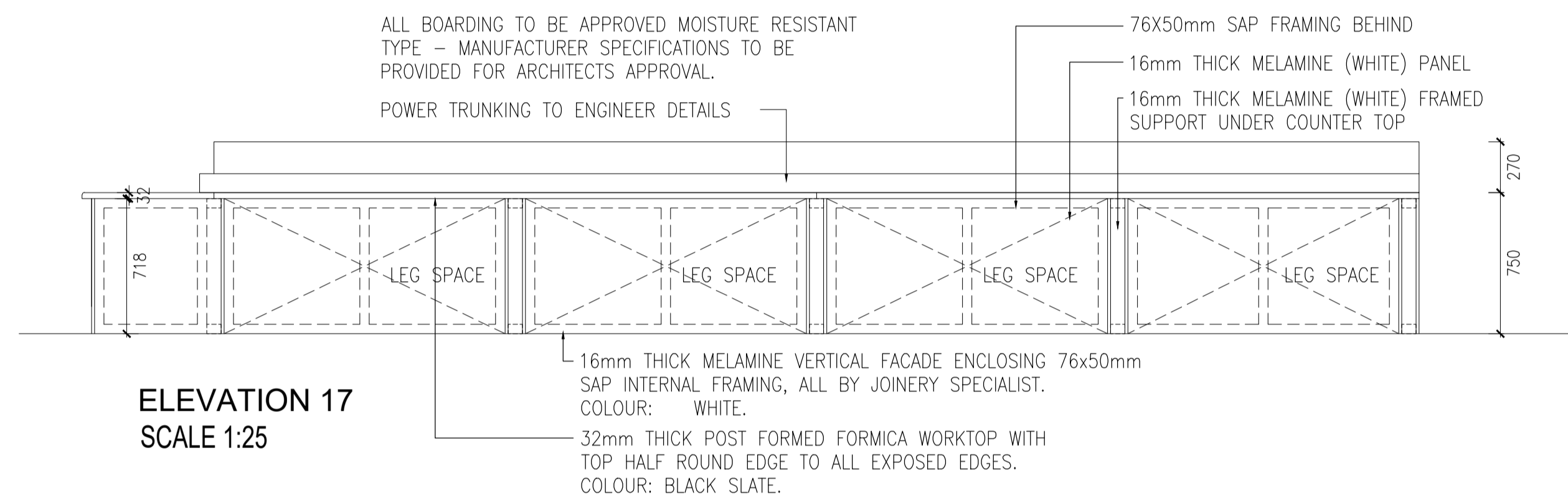
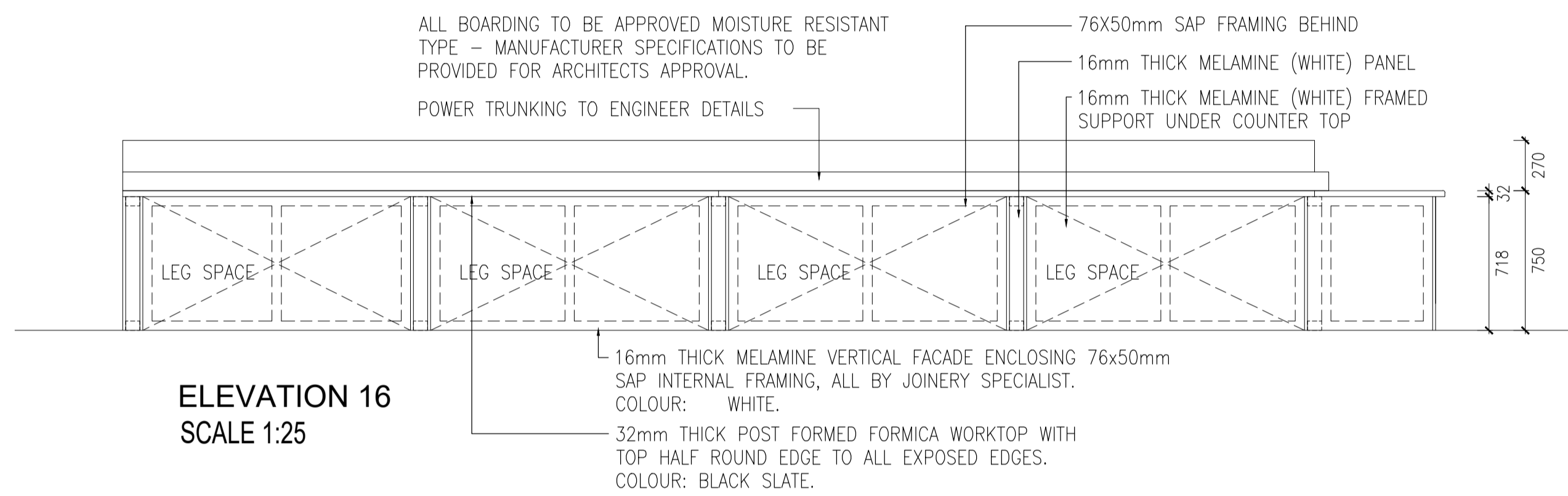
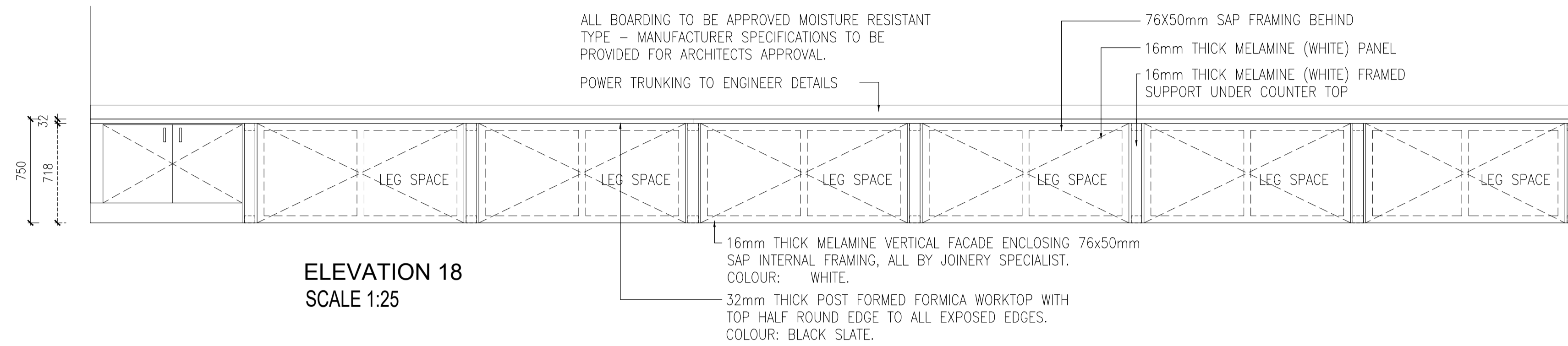
PROJECT LOCATION: MTHINGWEVU SS SCHOOL

SECTION, ELEVATIONS
4 CLASSROOM & HOD

CLIENT: Province of the EASTERN CAPE EDUCATION

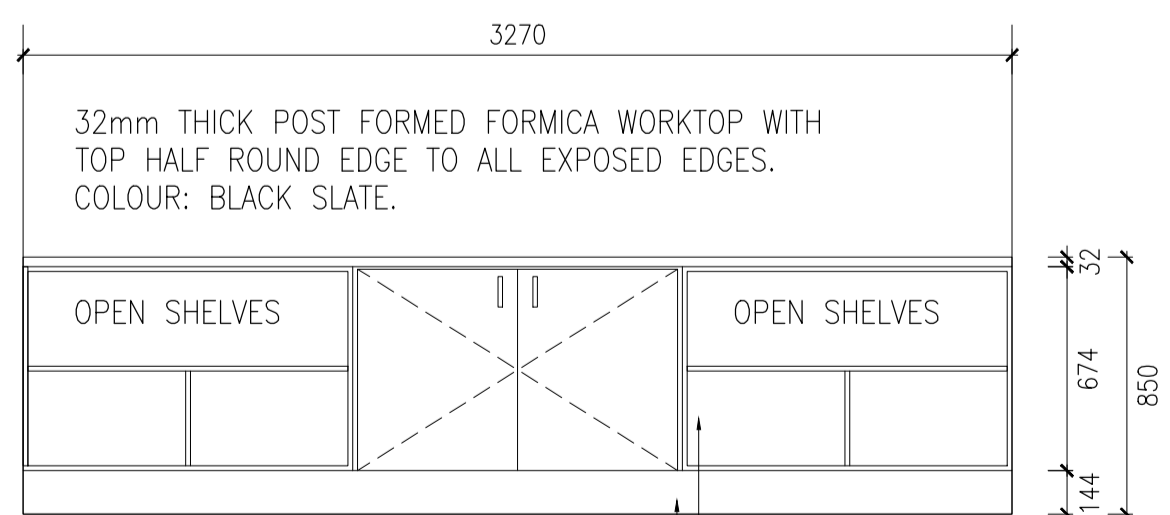


PROJECT NO:	1920
DRAWING NO:	1920 - AR - DES - 171
DATE:	AUG '23
SCALE:	1:100 / 1:50
REVISION:	REV 1



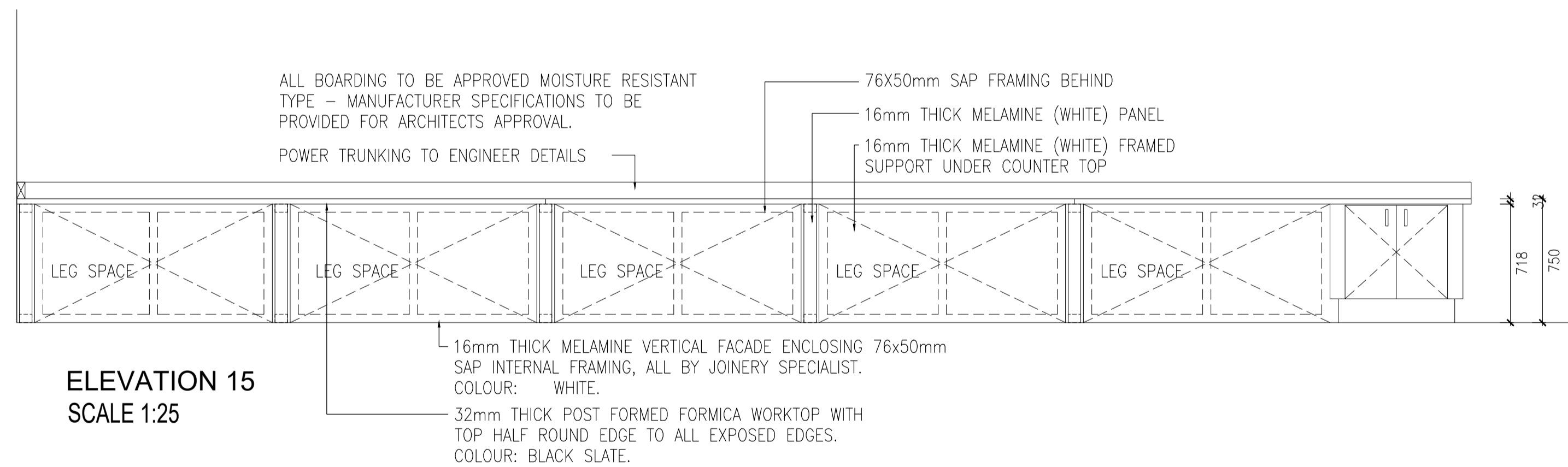
ELEVATION 12
SCALE 1:25

ELEVATION 13
SCALE 1:25

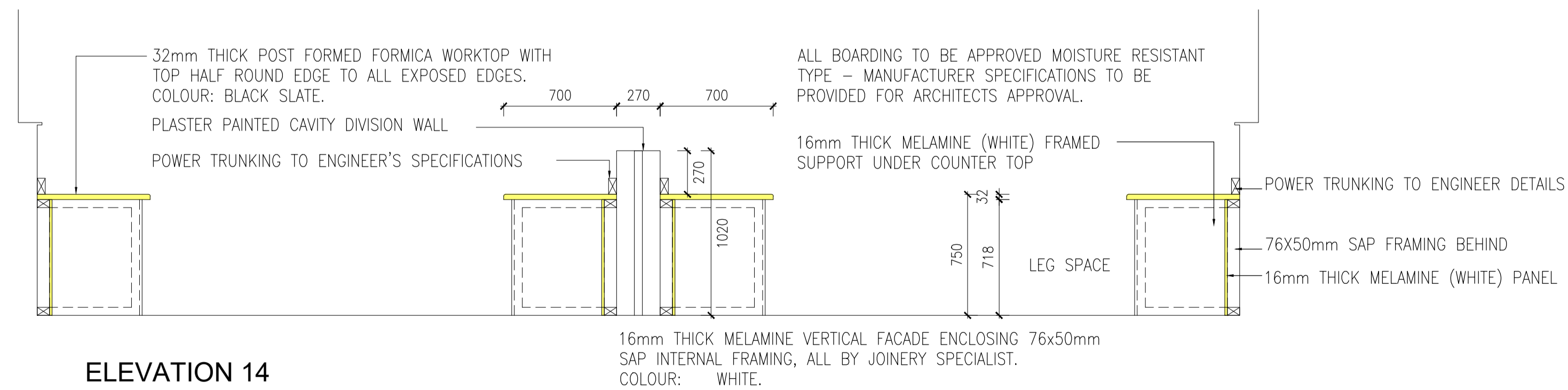


ELEVATION 11
SCALE 1:25

16MM THICK MELAMINE CARCASS. COLOUR: TO APPROVAL
144mm HIGH x 22mm THICK SAP PAR SKIRTING TO BE PAINTED. COLOUR: STEEL GREY OR EQUAL AND APPROVED



ELEVATION 15
SCALE 1:25



ELEVATION 14
SCALE 1:25

LIBRARY & COMPUTER LABORATORY
JOINERY DETAILS

Scale 1:25

MUNICIPAL STAMP

CONSTRUCTION NOTES

ALL WORK TO BE CARRIED OUT STRICTLY IN ACCORDANCE WITH MUNICIPAL AND/OR LOCAL AUTHORITY REGULATIONS.
DO NOT SCALE THIS DRAWING.
FIGURED DIMENSIONS TO BE TAKEN IN PREFERENCE TO SCALING DRAWING.
ALL RELEVANT DETAIL LEVELS AND DIMENSIONS TO BE CHECKED ON SITE PRIOR TO COMMENCEMENT OF WORK.
ANY DISCREPANCIES TO BE BROUGHT TO THE ATTENTION OF THE ARCHITECT.

GENERAL NOTES

TRADE NAMES
WHERE TRADE NAMES ARE SPECIFIED ON DRAWINGS, THE CONTRACTOR IS RESPONSIBLE TO SOURCE MATERIALS THAT ARE EQUAL OR OTHERWISE APPROVED BY THE DEPARTMENT OF ROADS AND PUBLIC WORKS.

REV DATE DESCRIPTION

REV	DATE	DESCRIPTION
1	22.08.2023	ADD JOINERY DETAILS

PROJECT TITLE

EASTERN CAPE SCHOOL BUILDING PROGRAMME

PROJECT LOCATION

MTHINGWEVU SS SCHOOL

DRAWING CLASSIFICATION

JOINERY DETAILS

LIBRARY & COMPUTER LAB.

CLIENT



IMPLEMENTING AGENTS



PROJECT NUMBER

1920

DRAWING NUMBER

1920 - AR - DES - 166

DATE

AUG '23

SCALE

1:25

MUNICIPAL STAMP

CONSTRUCTION NOTES

ALL WORK TO BE CARRIED OUT STRICTLY IN ACCORDANCE WITH MUNICIPAL AND/OR LOCAL AUTHORITY REGULATIONS. DO NOT SCALE THIS DRAWING. FIGURED DIMENSIONS TO BE TAKEN IN PREFERENCE TO SCALING DRAWING. ALL RELEVANT DETAIL LEVELS AND DIMENSIONS TO BE CHECKED ON SITE PRIOR TO COMMENCEMENT OF WORK. ANY DISCREPANCIES TO BE BROUGHT TO THE ATTENTION OF THE ARCHITECT.

GENERAL NOTES

TRADE NAMES WHERE TRADE NAMES ARE SPECIFIED ON DRAWINGS, THE CONTRACTOR IS RESPONSIBLE TO SOURCE MATERIALS THAT ARE EQUAL OR OTHERWISE APPROVED BY THE DEPARTMENT OF ROADS AND PUBLIC WORKS.

REV DATE DESCRIPTION

REV	DATE	DESCRIPTION
1	22.08.2023	ADD JOINERY DETAILS

PROJECT TITLE

EASTERN CAPE SCHOOL BUILDING PROGRAMME

PROJECT LOCATION

MTHINGWEVU SS SCHOOL

DRAWING DESCRIPTION

JOINERY DETAILS LIBRARY & COMPUTER LAB.

CLIENT



IMPLEMENTING AGENTS



PROJECT NUMBER

1920

DRAWING NUMBER

1920 - AR - DES - 164

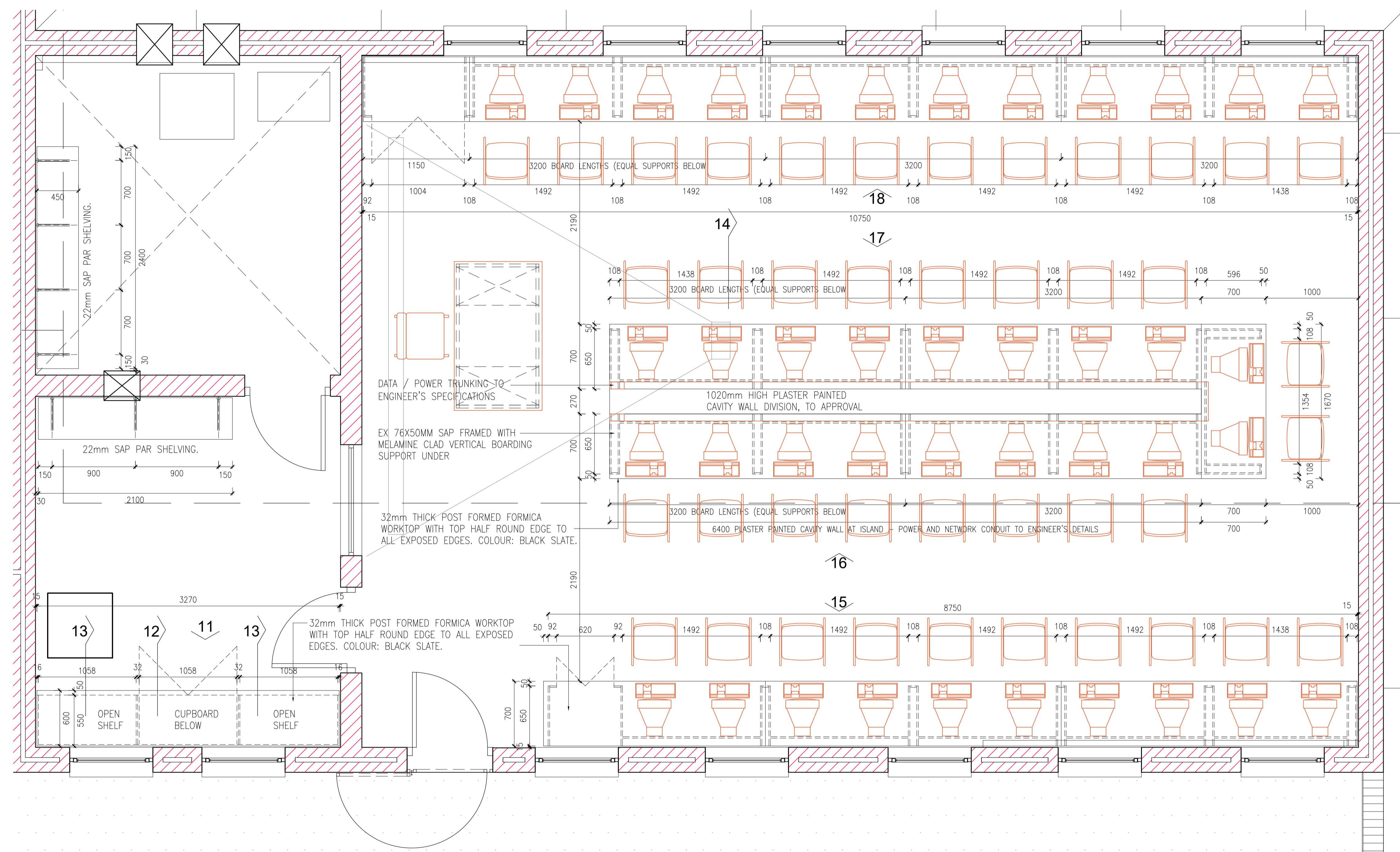
REV 1

DATE

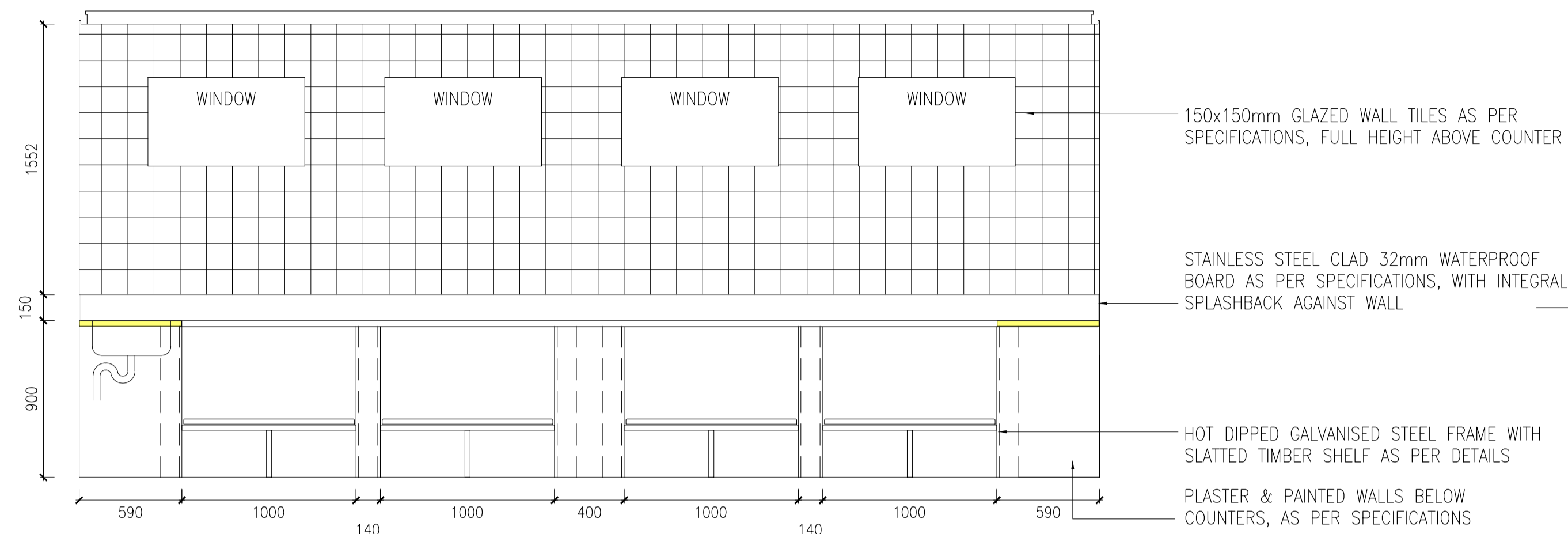
AUG '23

SCALE

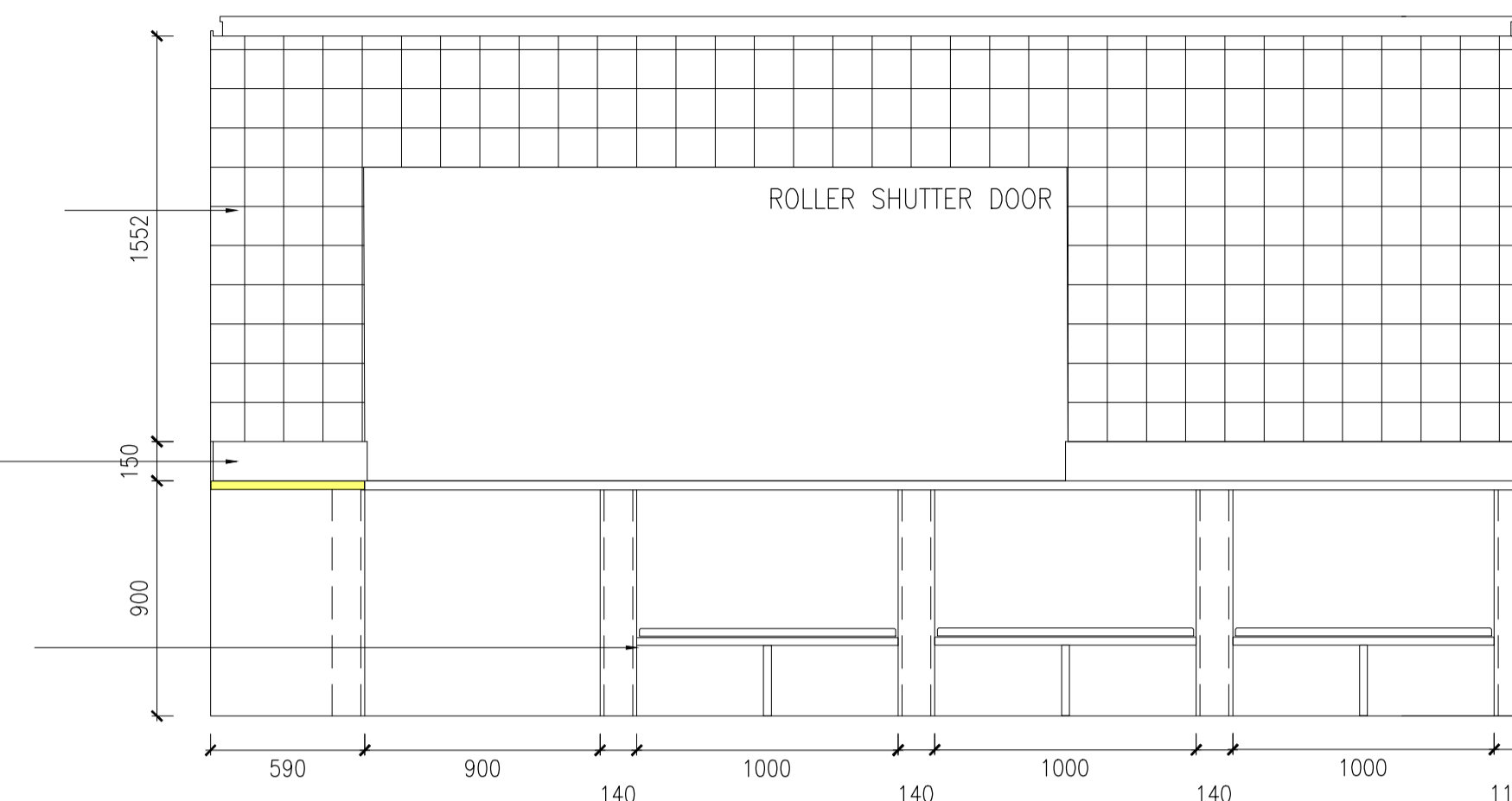
1:25



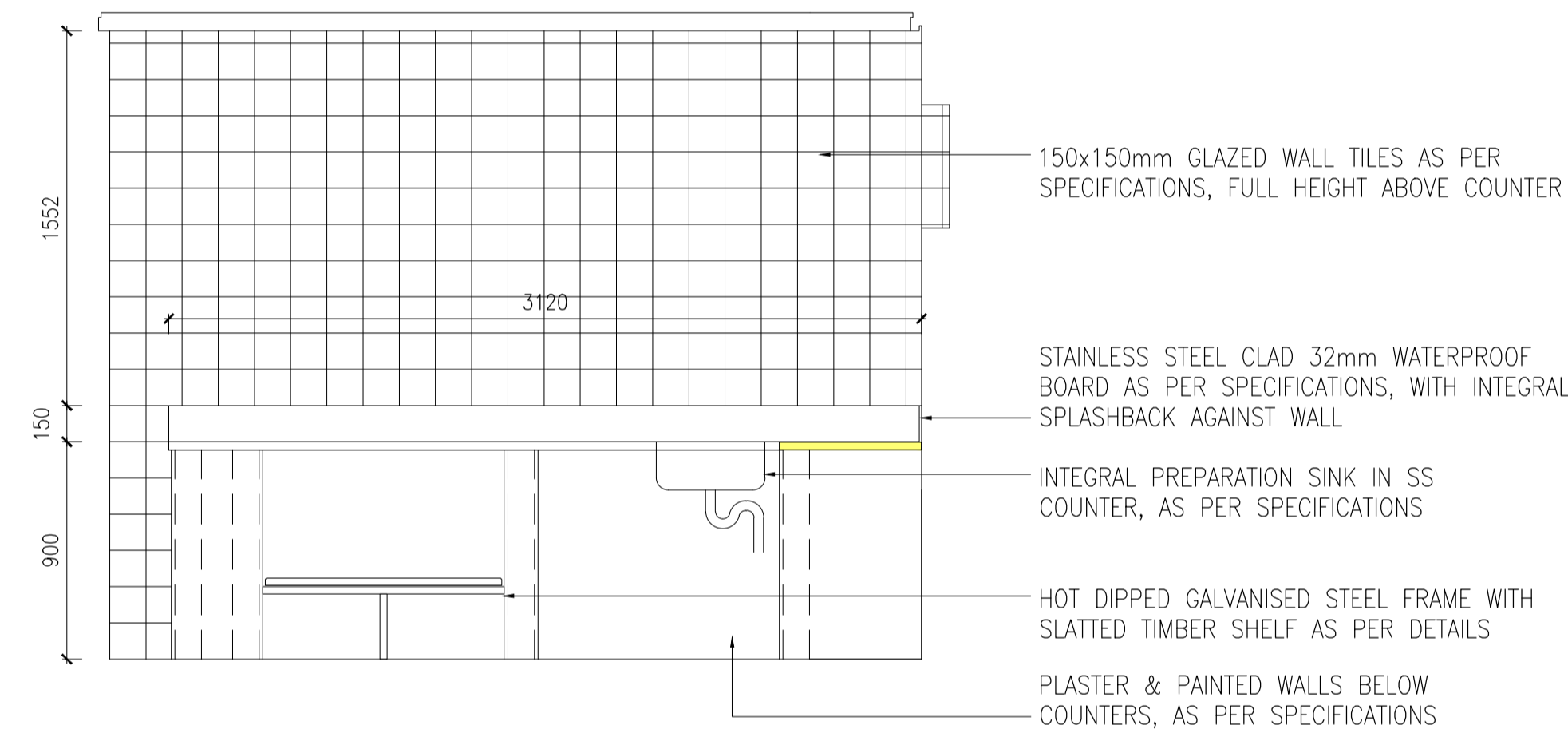
LIBRARY & COMPUTER LABORATORY
JOINERY DETAILS
Scale 1:25



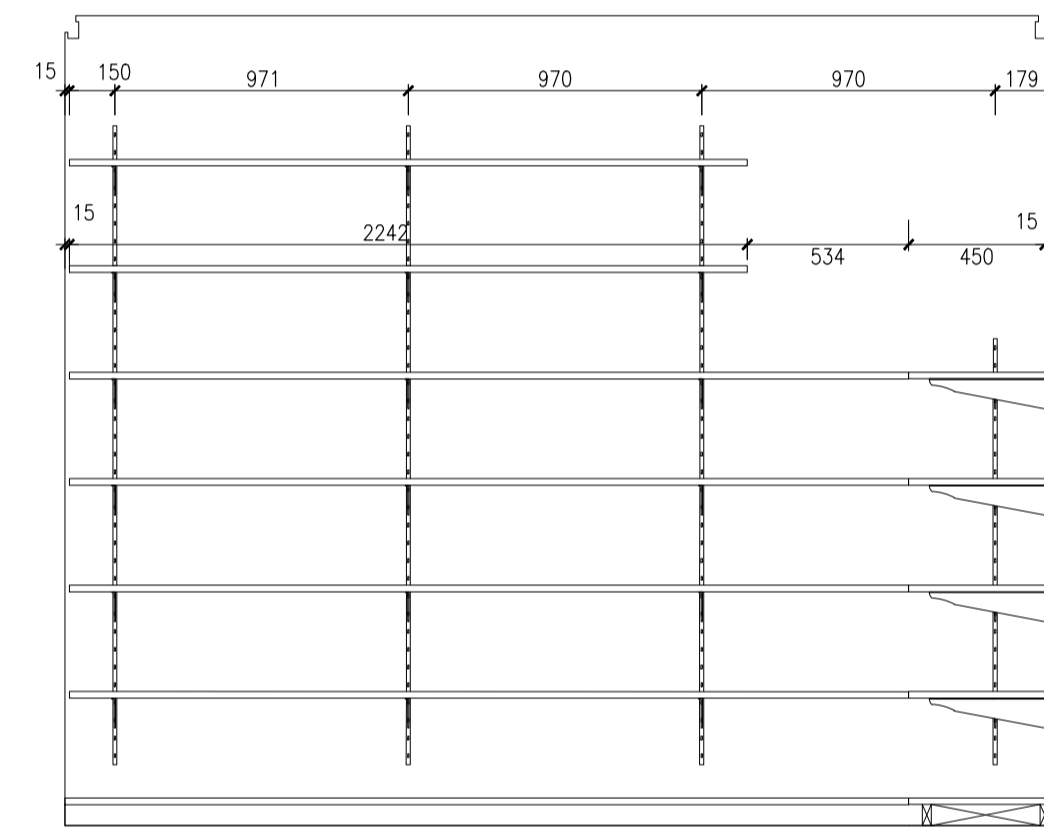
ELEVATION 8
SCALE 1:25



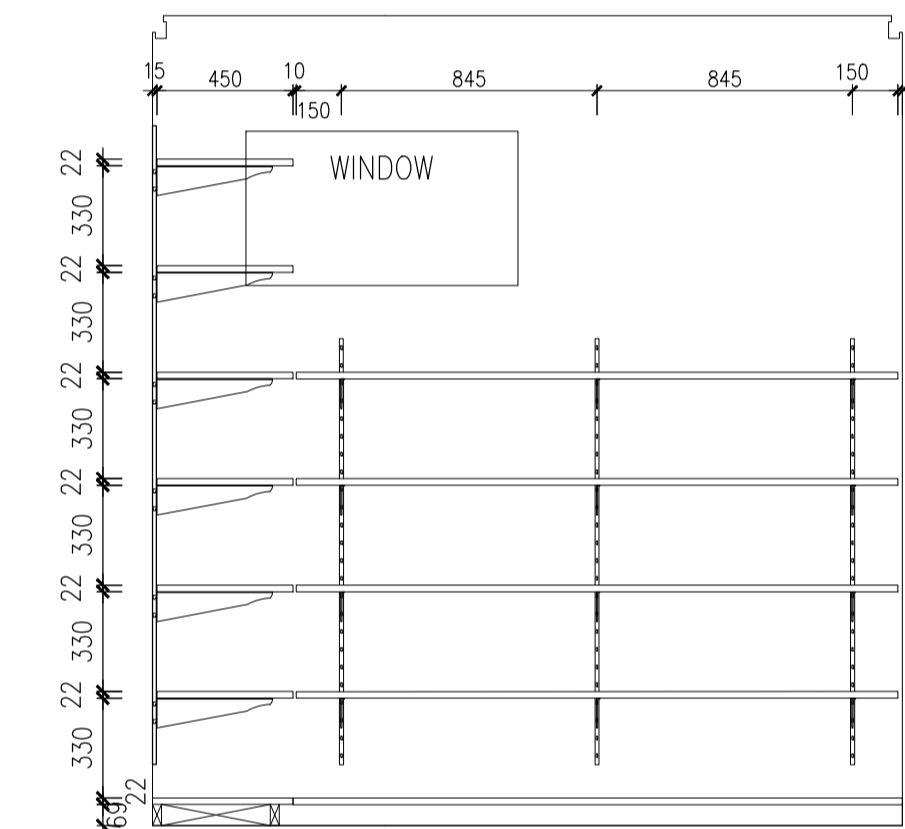
ELEVATION 8
SCALE 1:25



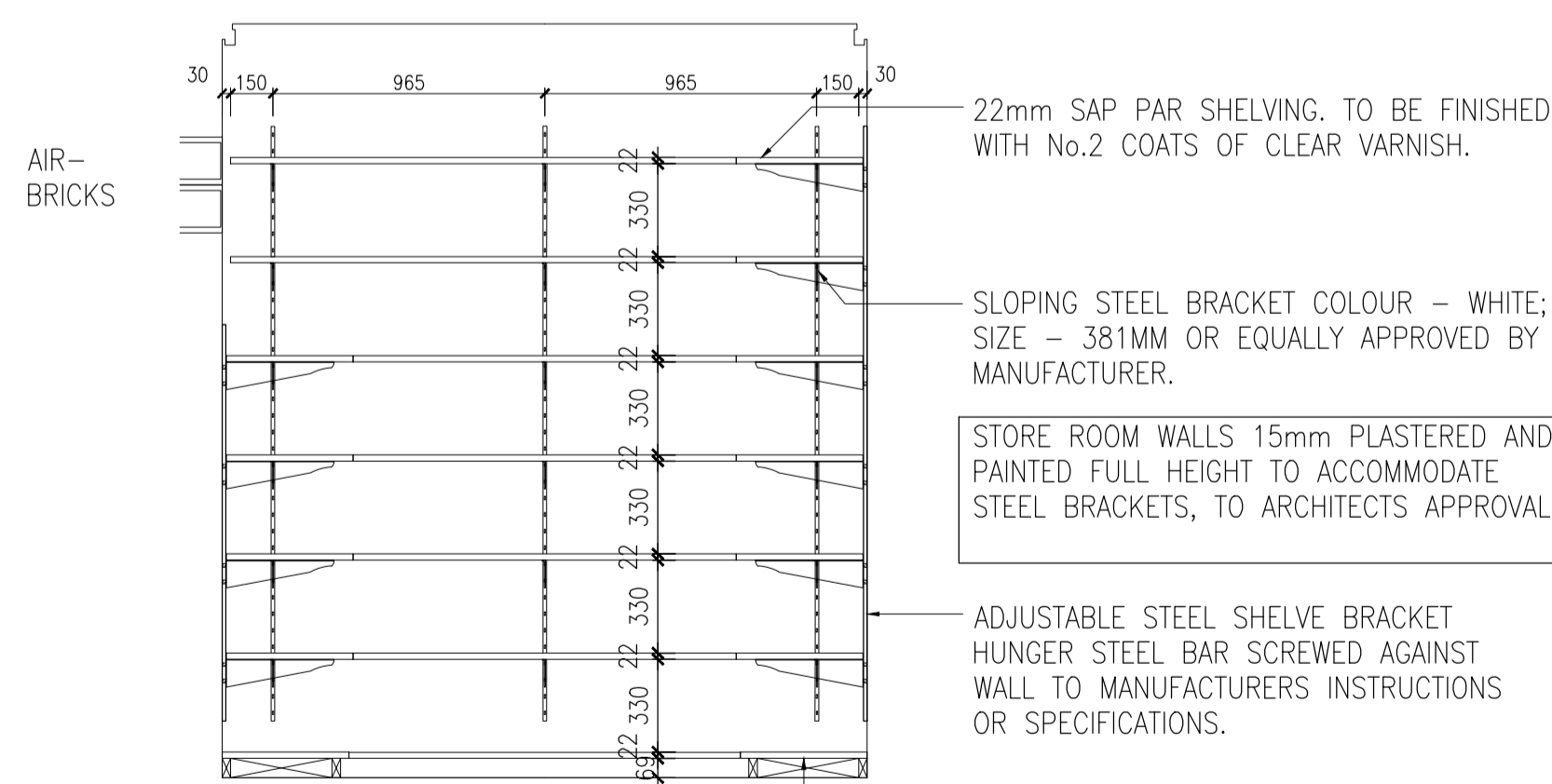
ELEVATION 7
SCALE 1:25



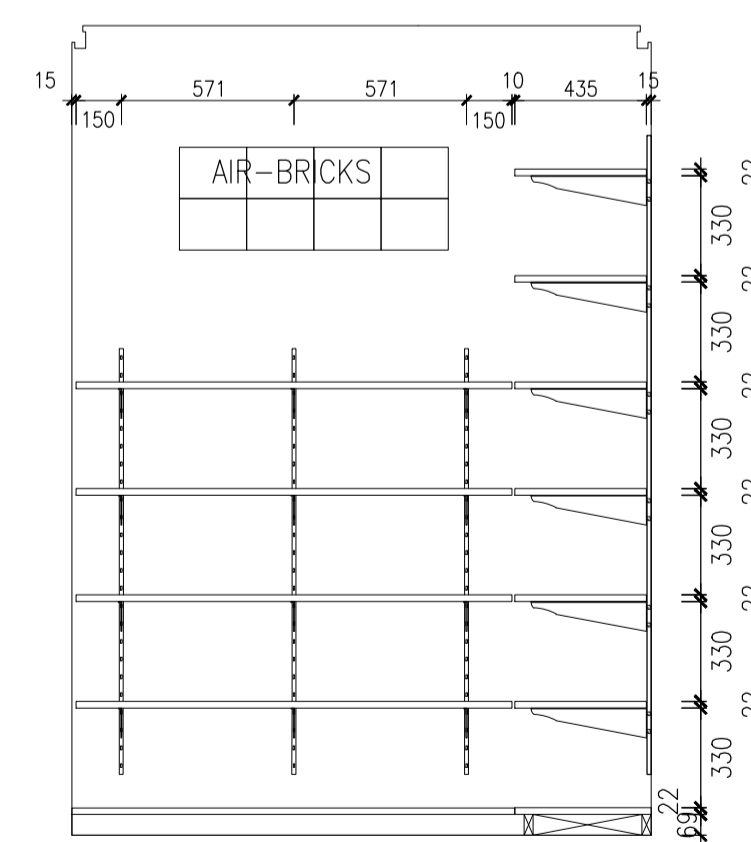
ELEVATION 5
SCALE 1:25



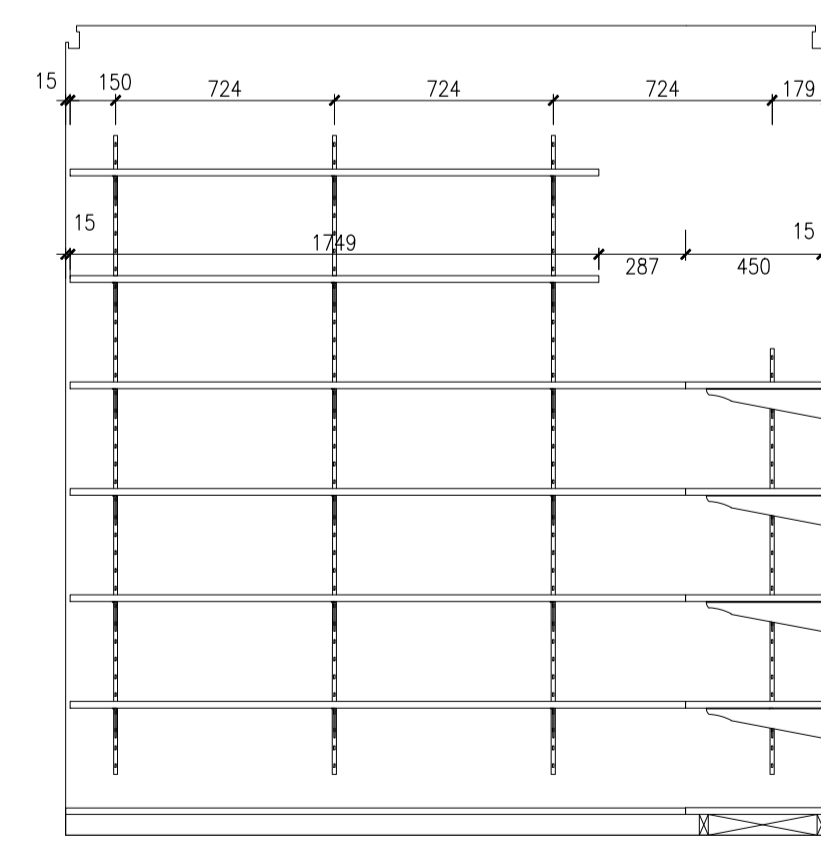
ELEVATION 6
SCALE 1:25



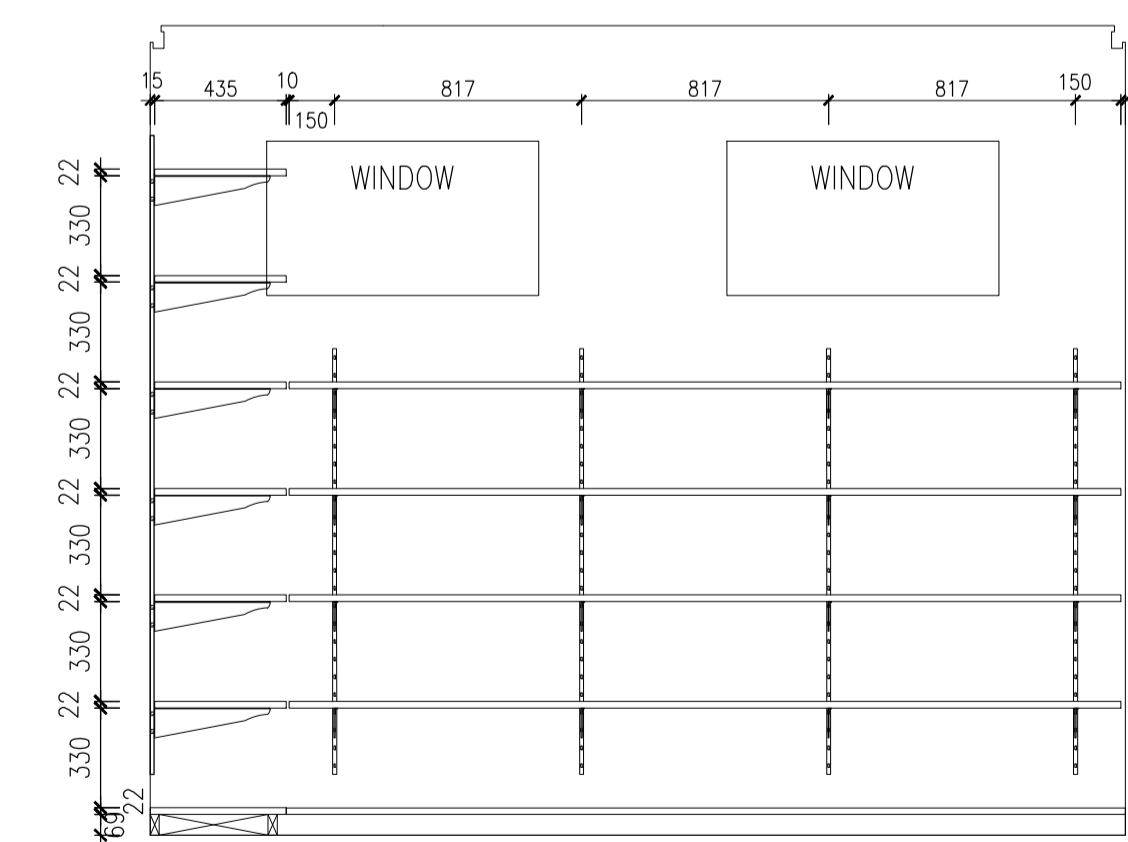
ELEVATION 1
SCALE 1:25



ELEVATION 2
SCALE 1:25



ELEVATION 3
SCALE 1:25



ELEVATION 4
SCALE 1:25

DINING AND NUTRITION CENTRE
JOINERY DETAILS

Scale 1:25

MUNICIPAL STAMP

CONSTRUCTION NOTES
ALL WORK TO BE CARRIED OUT STRICTLY IN ACCORDANCE WITH MUNICIPAL AND/OR LOCAL AUTHORITY REGULATIONS. DO NOT SCALE THIS DRAWING. FIGURED DIMENSIONS TO BE TAKEN IN PREFERENCE TO SCALING DRAWING. ALL RELEVANT DETAIL LEVELS AND DIMENSIONS TO BE CHECKED ON SITE PRIOR TO COMMENCEMENT OF WORK. ANY DISCREPANCIES TO BE BROUGHT TO THE ATTENTION OF THE ARCHITECT.

GENERAL NOTES
TRADE NAMES
WHERE TRADE NAMES ARE SPECIFIED ON DRAWINGS, THE CONTRACTOR IS RESPONSIBLE TO SOURCE MATERIALS THAT ARE EQUAL OR OTHERWISE APPROVED BY THE DEPARTMENT OF ROADS AND PUBLIC WORKS.

REV	DATE	DESCRIPTION
1	22.08.2023	ADD JOINERY DETAILS

PROJECT TITLE
EASTERN CAPE SCHOOL BUILDING PROGRAMME

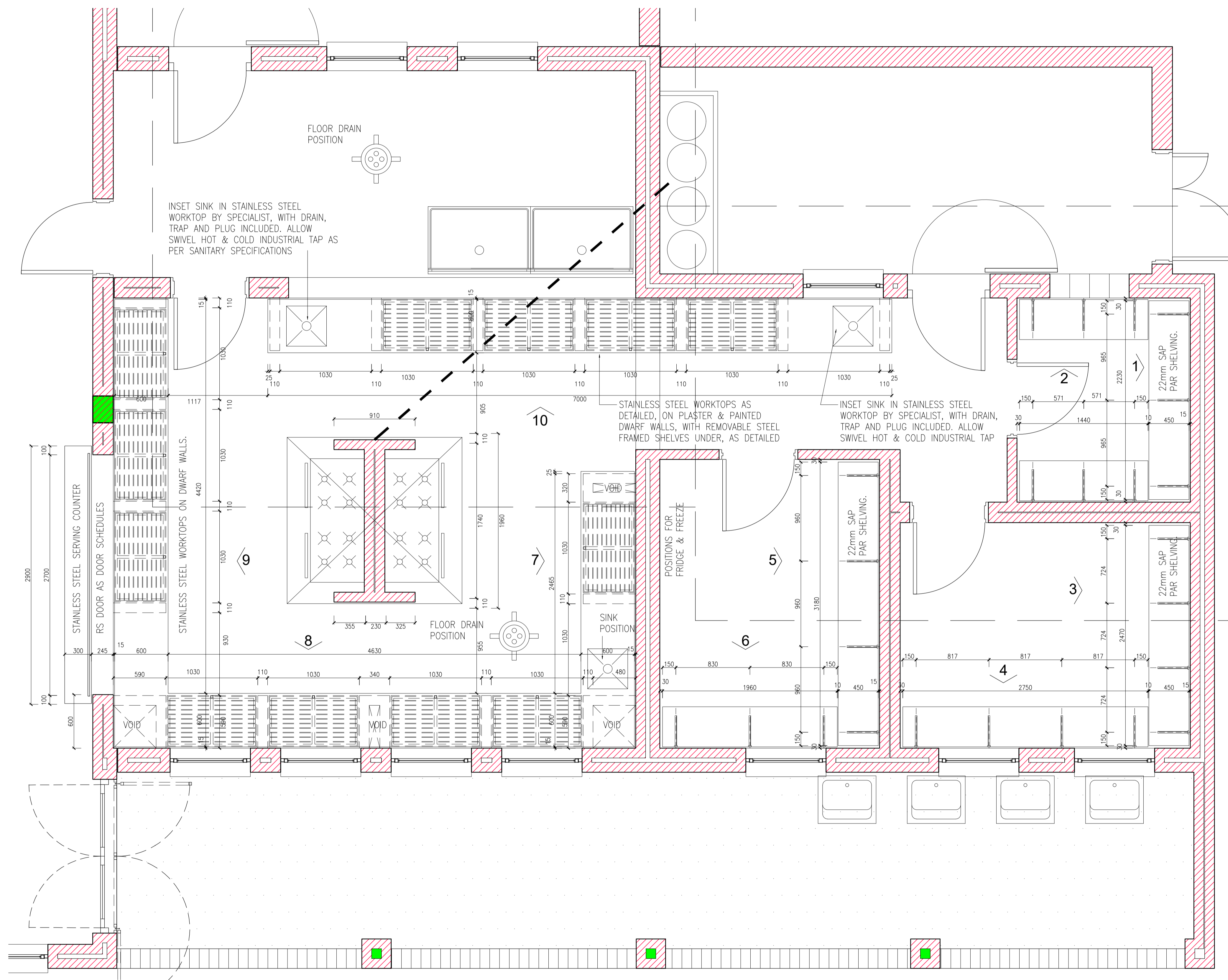
PROJECT LOCATION
MTHINGWEVU SS SCHOOL

DISCIPLINE
JOINERY DETAILS
DINING & NUTRITION

CLIENT
Province of the EASTERN CAPE EDUCATION

IMPLEMENTING AGENTS
BTKM

PROJECT NO	1920
DISCIPLINE	1920 - AR - DES - 154
DATE	AUG '23
SCALE	1:25
REVISION	REV 1



DINING AND NUTRITION CENTRE
 JOINERY DETAILS
 Scale 1:25

MUNICIPAL STAMP

CONSTRUCTION NOTES

ALL WORK TO BE CARRIED OUT STRICTLY IN ACCORDANCE WITH MUNICIPAL AND/OR LOCAL AUTHORITY REGULATIONS. DO NOT SCALE THIS DRAWING. FIGURED DIMENSIONS TO BE TAKEN IN PREFERENCE TO SCALING DRAWING. ALL RELEVANT DETAIL LEVELS AND DIMENSIONS TO BE CHECKED ON SITE PRIOR TO COMMENCEMENT OF WORK. ANY DISCREPANCIES TO BE BROUGHT TO THE ATTENTION OF THE ARCHITECT.

GENERAL NOTES

TRADE NAMES WHERE TRADE NAMES ARE SPECIFIED ON DRAWINGS, THE CONTRACTOR IS RESPONSIBLE TO SOURCE MATERIALS THAT ARE EQUAL OR OTHERWISE APPROVED BY THE DEPARTMENT OF ROADS AND PUBLIC WORKS.

REV	DATE	DESCRIPTION
1	22.08.2023	ADD JOINERY DETAILS

PROJECT TITLE: EASTERN CAPE SCHOOL BUILDING PROGRAMME

PROJECT DESCRIPTION: MTHINGWEVU SS SCHOOL

DRAWING DESCRIPTION: JOINERY DETAILS DINING & NUTRITION

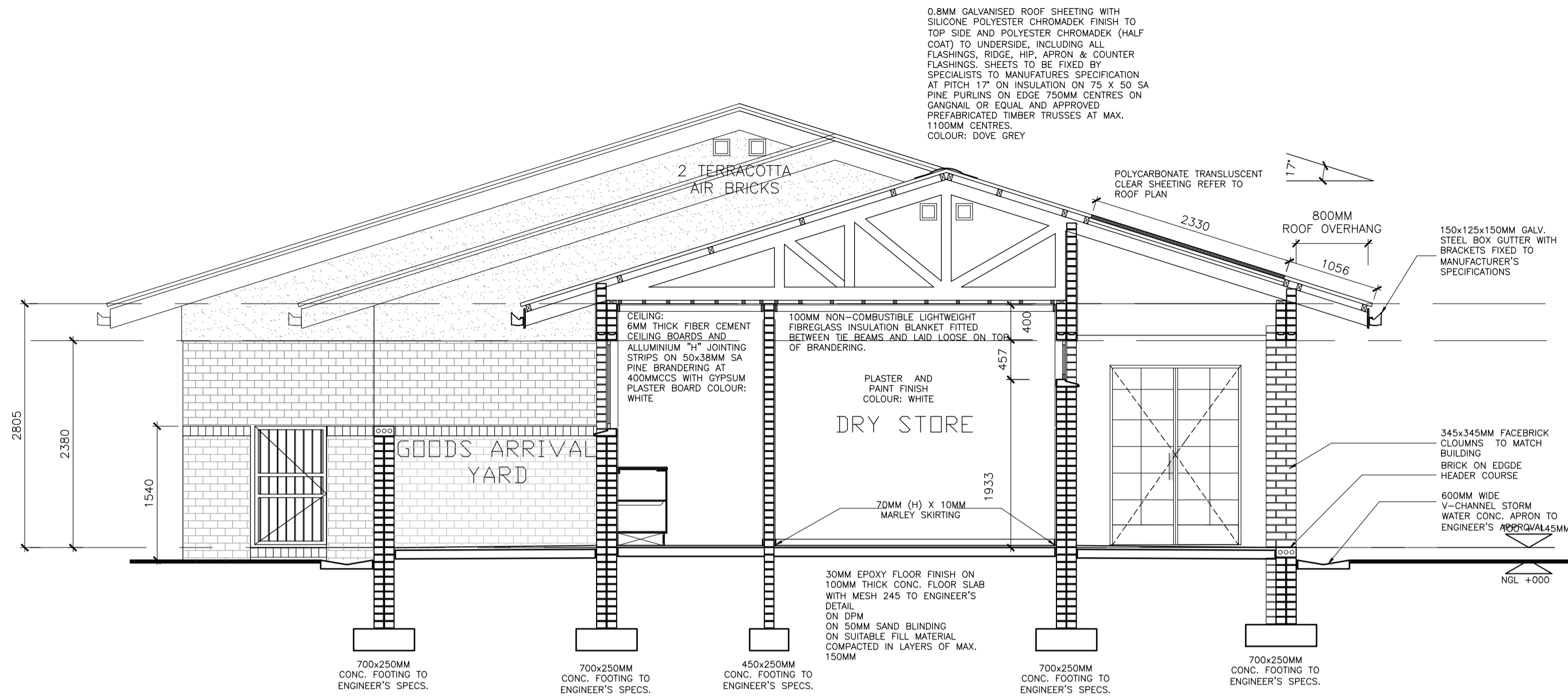
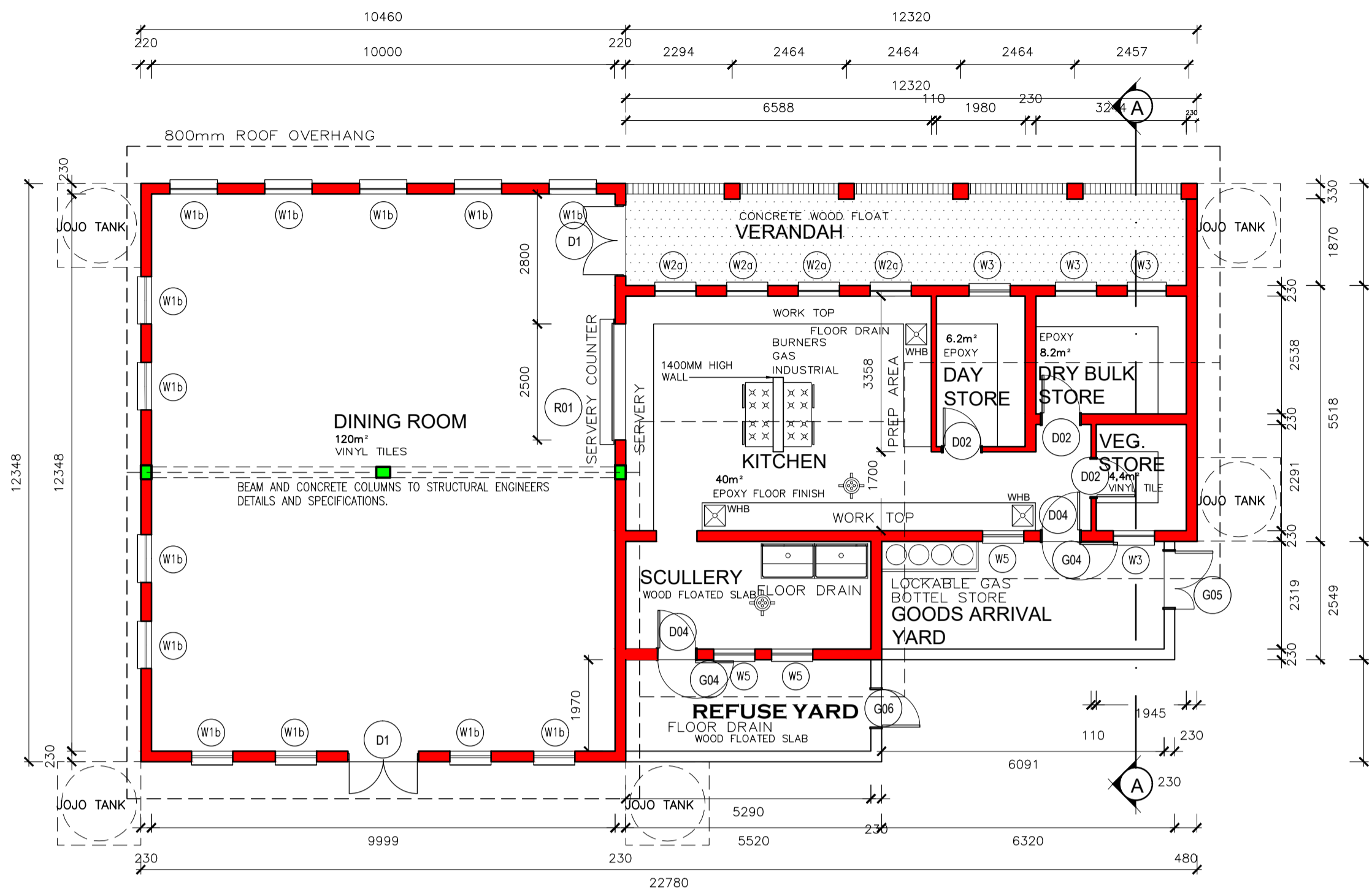
CLIENT



IMPLEMENTING AGENTS

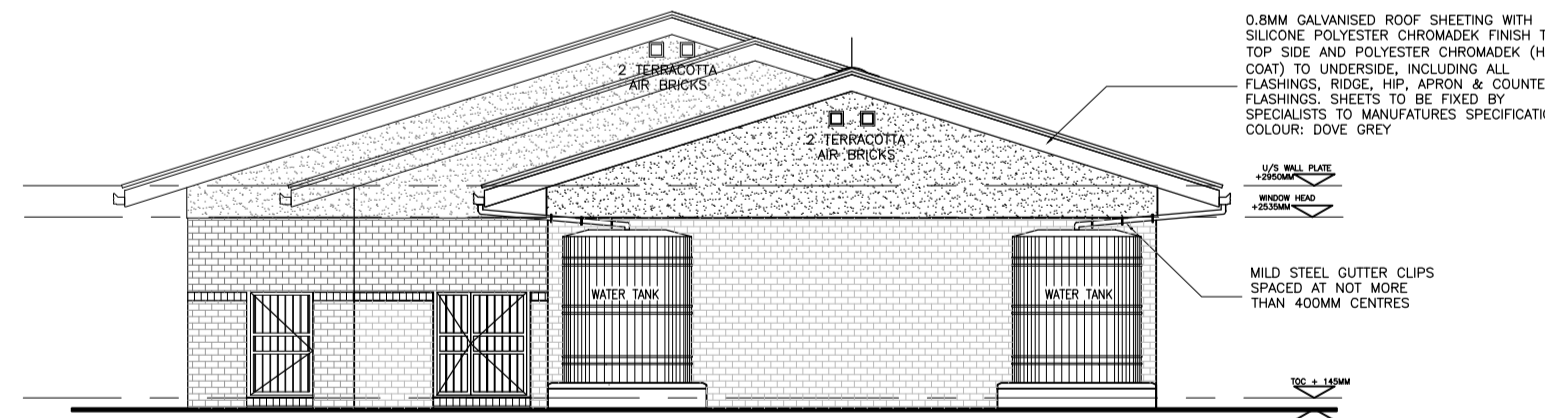
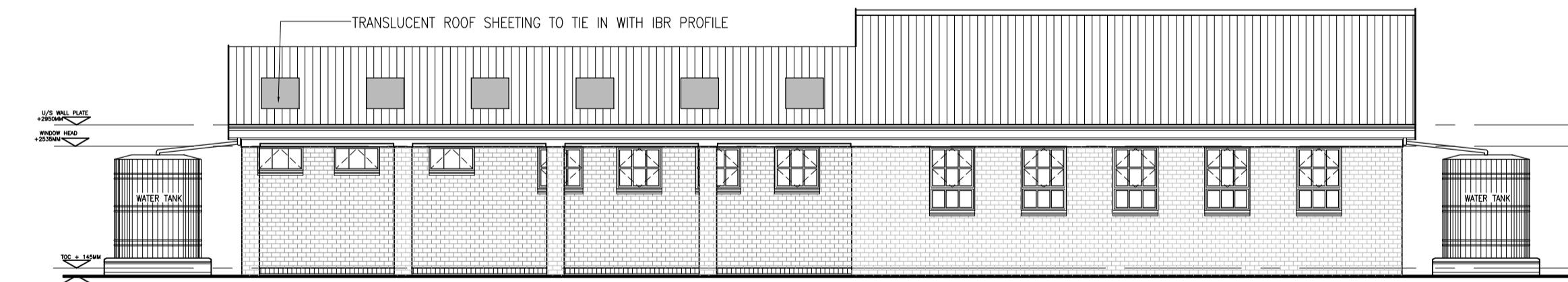
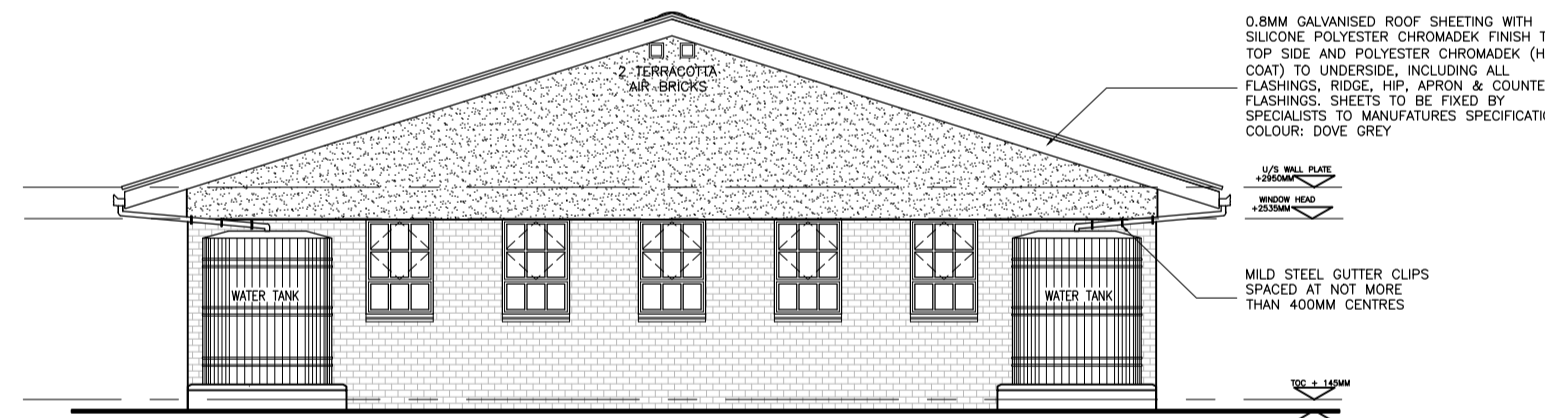
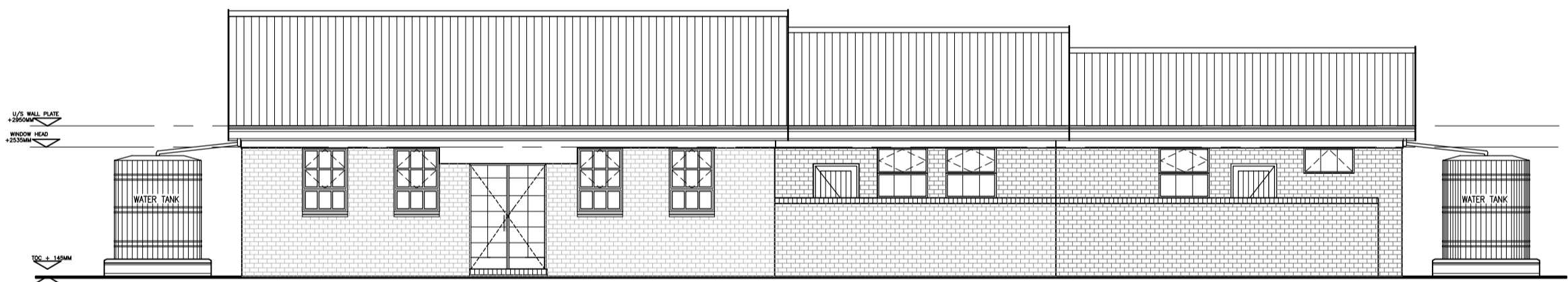


PROJECT NUMBER: 1920	REVISION: REV 1
DRAWING NUMBER: 1920 - AR - DES - 153	DATE: AUG '23
DRAWN: [Signature]	CHECK: [Signature]
SCALE: 1:25	



DNC-D

PLAN - EDUCATIONAL SUPPORT SPACES - DINING ROOM & NUTRITION CENTRE
scale 1:100



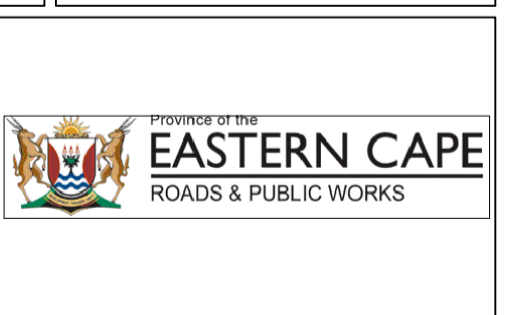
MUNICIPAL STAMP	

- COPYRIGHT NOTE**
- THIS DRAWING IS SUBJECT TO COPYRIGHT AND MAY NOT BE REPRODUCED, IN WHOLE OR PART, OR IN ANY MANNER WHATSOEVER WITHOUT WRITTEN PERMISSION FROM THE ARCHITECT.
 - ALL WORK TO BE CARRIED OUT STRICTLY IN ACCORDANCE WITH MUNICIPAL AND/OR LOCAL AUTHORITY REGULATIONS.
 - DO NOT SCALE THIS DRAWING.
 - FIGURED DIMENSIONS TO BE TAKEN IN PREFERENCE TO SCALING DRAWING.
 - ALL RELEVANT DETAILS, LEVELS, AND DIMENSIONS TO BE CHECKED ON SITE PRIOR TO COMMENCEMENT OF WORK.
 - ANY DISCREPANCIES TO BE BROUGHT TO THE ATTENTION OF THE ARCHITECT.

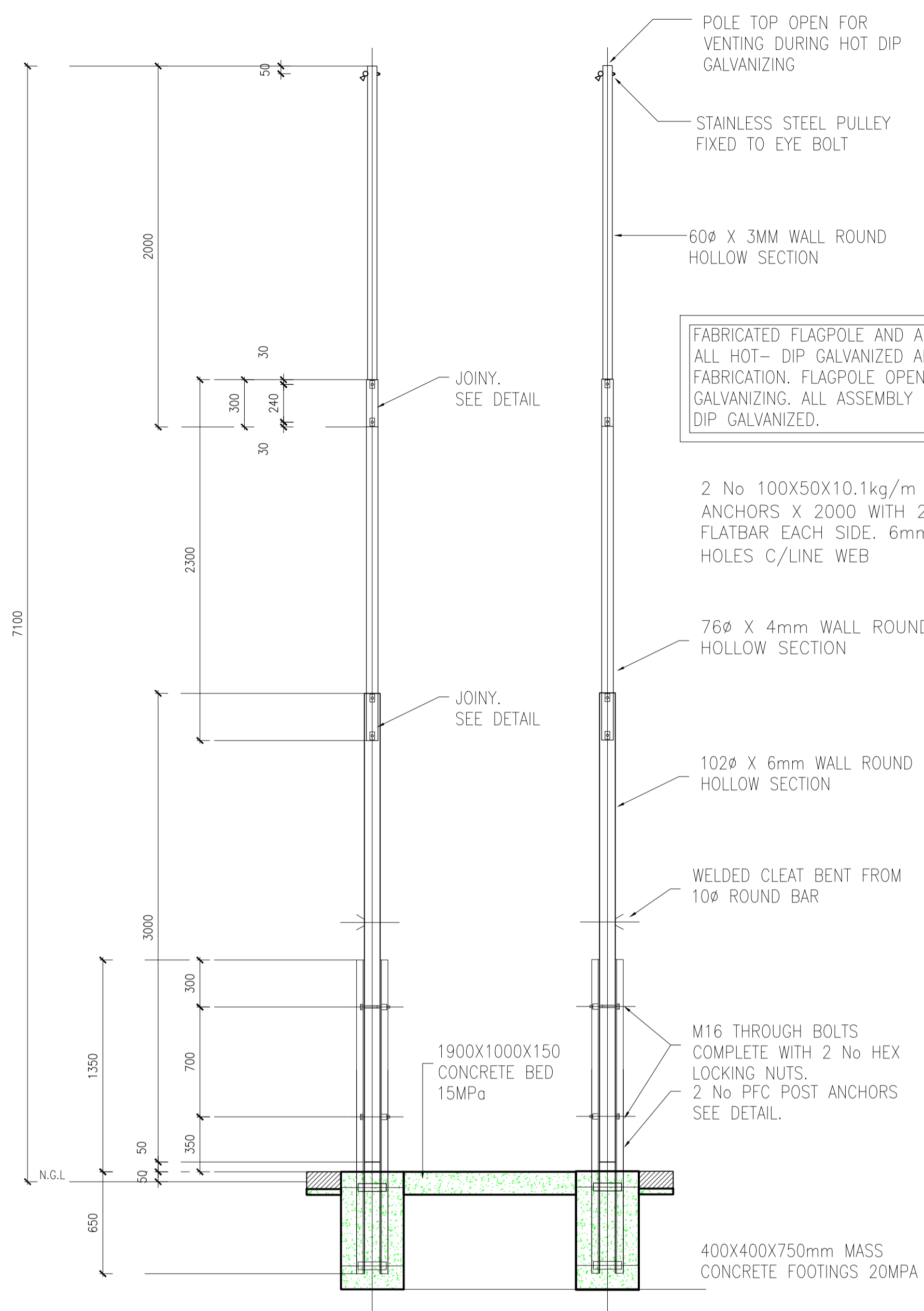
GENERAL NOTES	

REV	DATE	DESCRIPTION
0	2018-03-08	AS-BUILT DRAWING

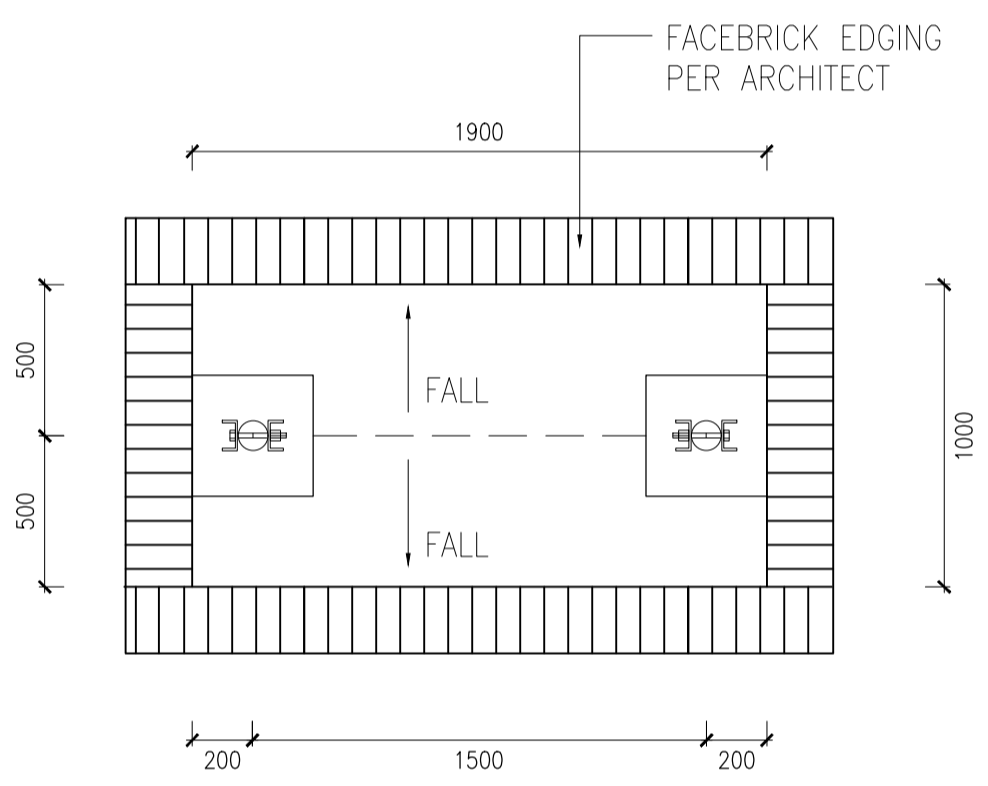
PROJECT FILE	MTHINGWEVU SS SCHOOL
PROJECT DESCRIPTION	ACCELERATED SCHOOLS INFRASTRUCTURE DEVELOPMENT INITIATIVE
DRAWING DESCRIPTION	DINING HALL AND NUTRITION CENTRE



PROJECT NUMBER	1920
DRAWING NUMBER	1920-AR-TEN-DNC-1100
DATE	AUG '23
SCALE	1:100
REVISIONS	0

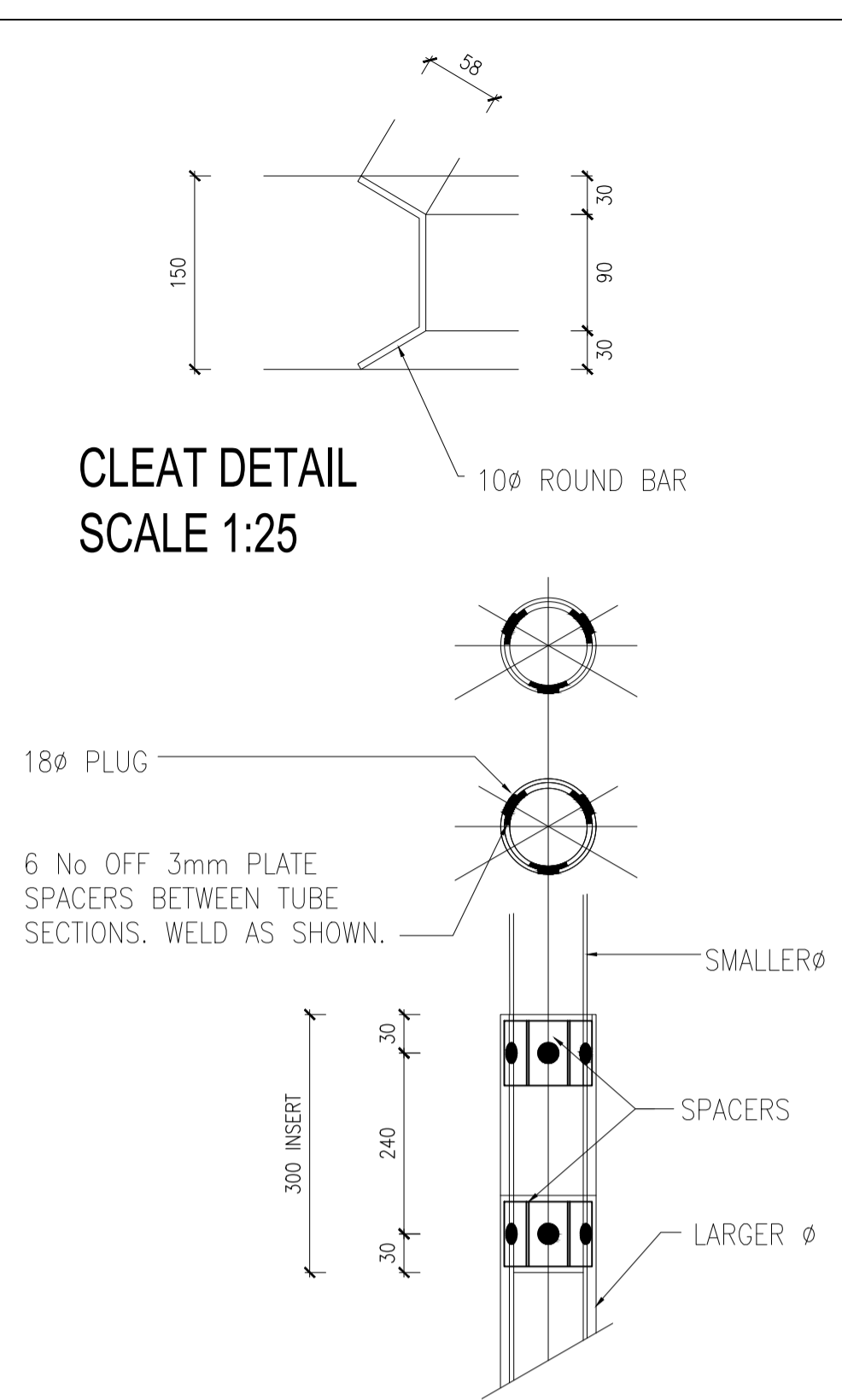


ANCHOR DETAIL
SCALE 1:25



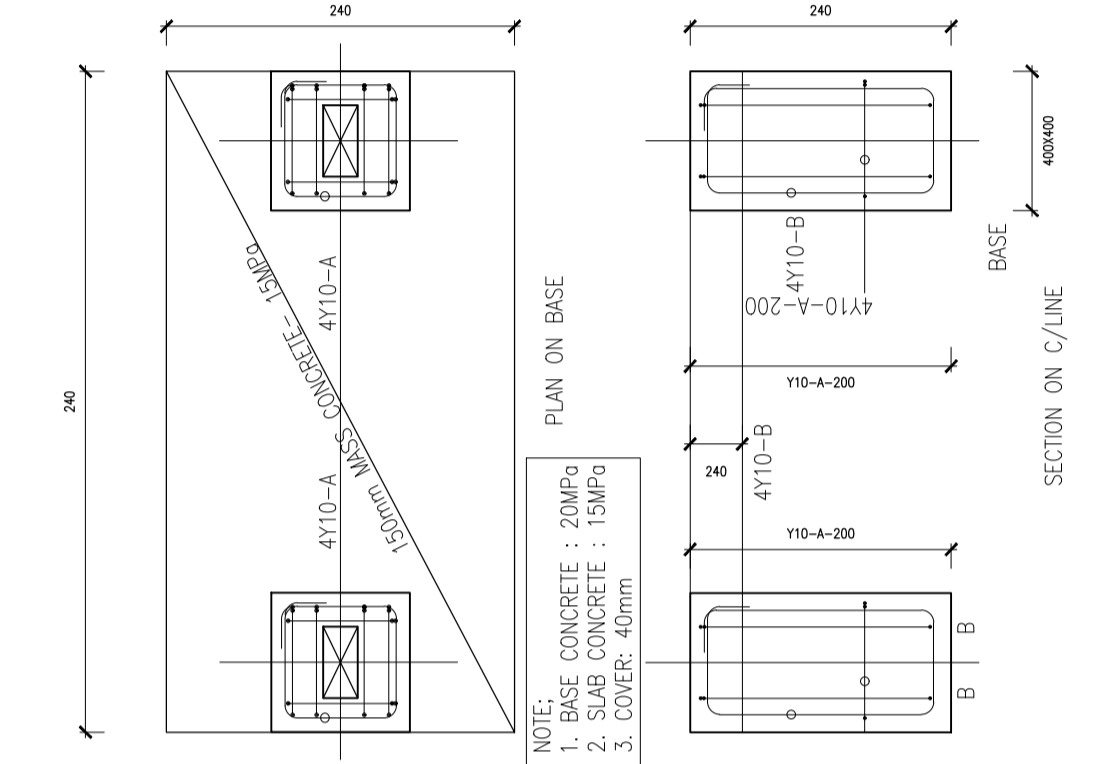
PLAN ON BASE
SCALE 1:25

CLEAT DETAIL
SCALE 1:25



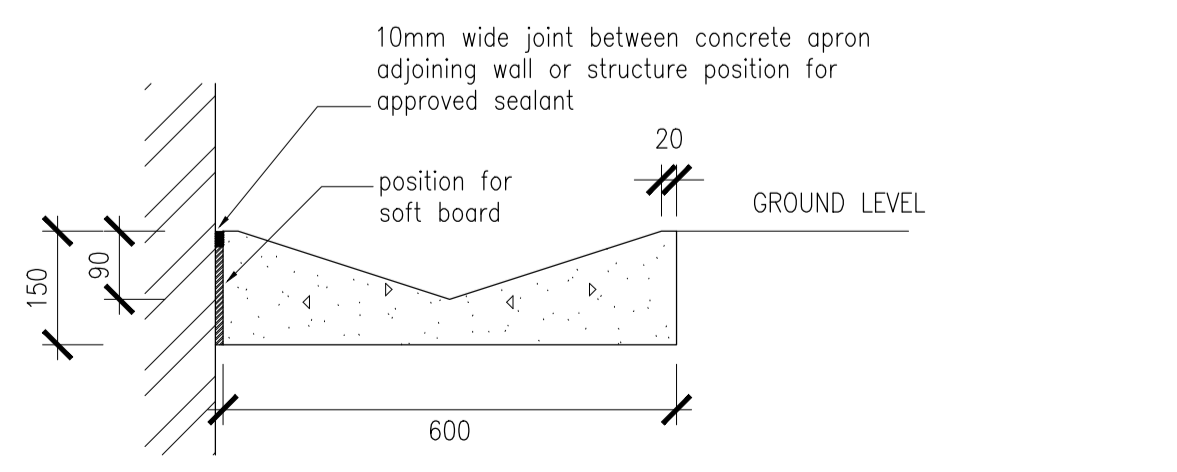
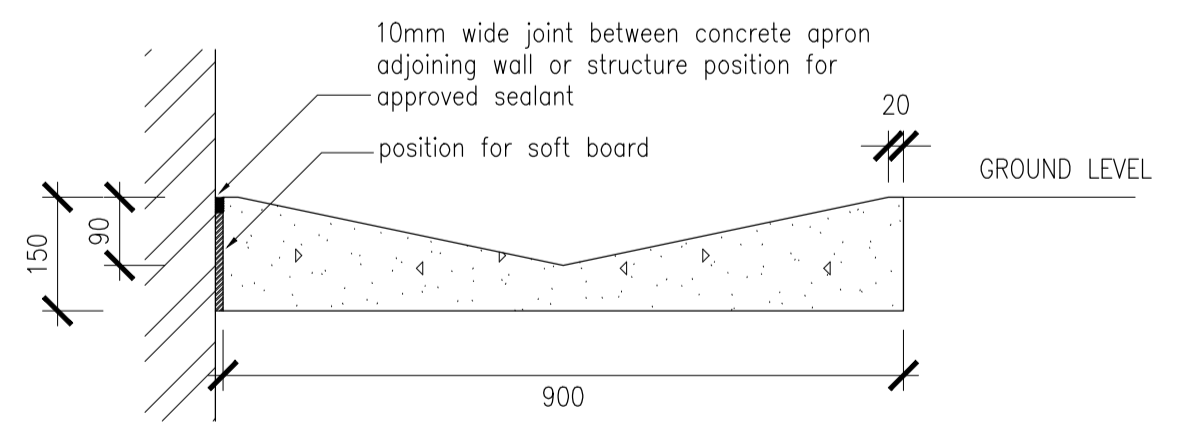
JOINT DETAIL
SCALE 1:25

MEMBER	No OF	BARS PER MEMB	DIA	LENGTH	TOTAL NUM-BER	MARK	SC	BENDING						
								A	B	C	D	E/r		
400X400 750 DEEP POST BASE	2	4	Y10	1400	8	A	60	320	320					
1 No SET		6	Y10	2050	12	B	60	650	300					

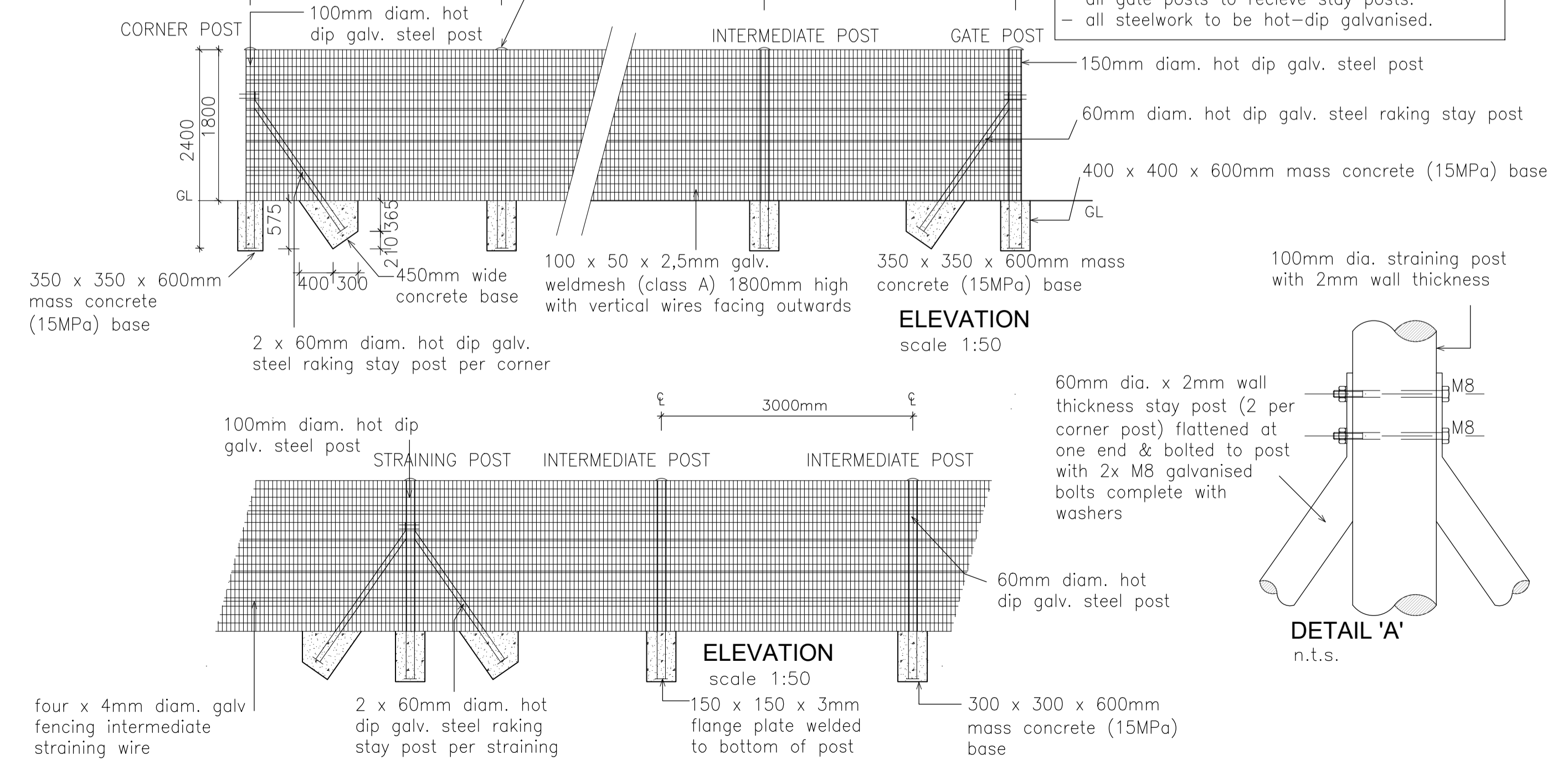


R	B	10	12	16	20	25	32	40	TOT
Y		22							22
TOT		22							22

DETAIL CONCRETE APRON



DETAIL PERIMETER FENCE



MUNICIPAL STAMP

CONSTRUCTION NOTES

ALL WORK TO BE CARRIED OUT STRICTLY IN ACCORDANCE WITH MUNICIPAL AND/OR LOCAL AUTHORITY REGULATIONS. DO NOT SCALE THIS DRAWING. FIGURED DIMENSIONS TO BE TAKEN IN PREFERENCE TO SCALING DRAWING. ALL RELEVANT DETAIL LEVELS AND DIMENSIONS TO BE CHECKED ON SITE PRIOR TO COMMENCEMENT OF WORK. ANY DISCREPANCIES TO BE BROUGHT TO THE ATTENTION OF THE ARCHITECT.

GENERAL NOTES

TRADE NAMES WHERE TRADE NAMES ARE SPECIFIED ON DRAWINGS, THE CONTRACTOR IS RESPONSIBLE TO SOURCE MATERIALS THAT ARE EQUAL OR OTHERWISE APPROVED BY THE DEPARTMENT OF ROADS AND PUBLIC WORKS.

REV	DATE	DESCRIPTION
1	22.08.2023	FOR CLIENT APPROVAL

PROJECT TITLE
EASTERN CAPE SCHOOL BUILDING PROGRAMME

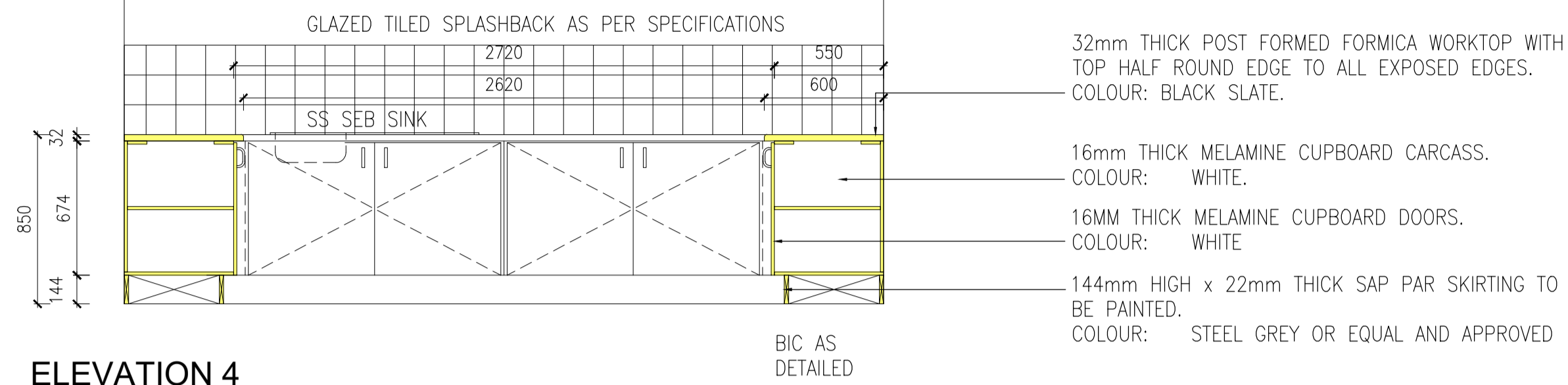
PROJECT LOCATION
MTHINGWEVU SS SCHOOL

DETAILS

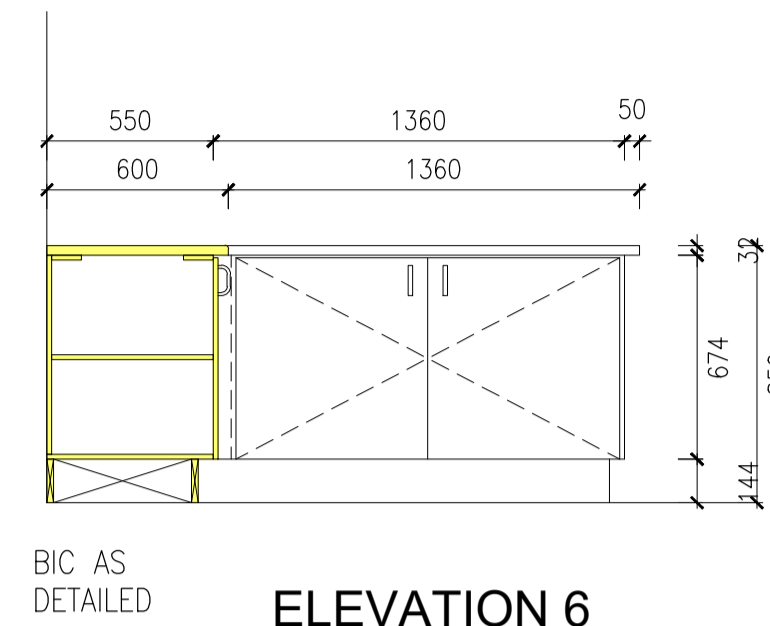
CLIENT
Province of the EASTERN CAPE EDUCATION

IMPLEMENTING AGENTS
BTKM

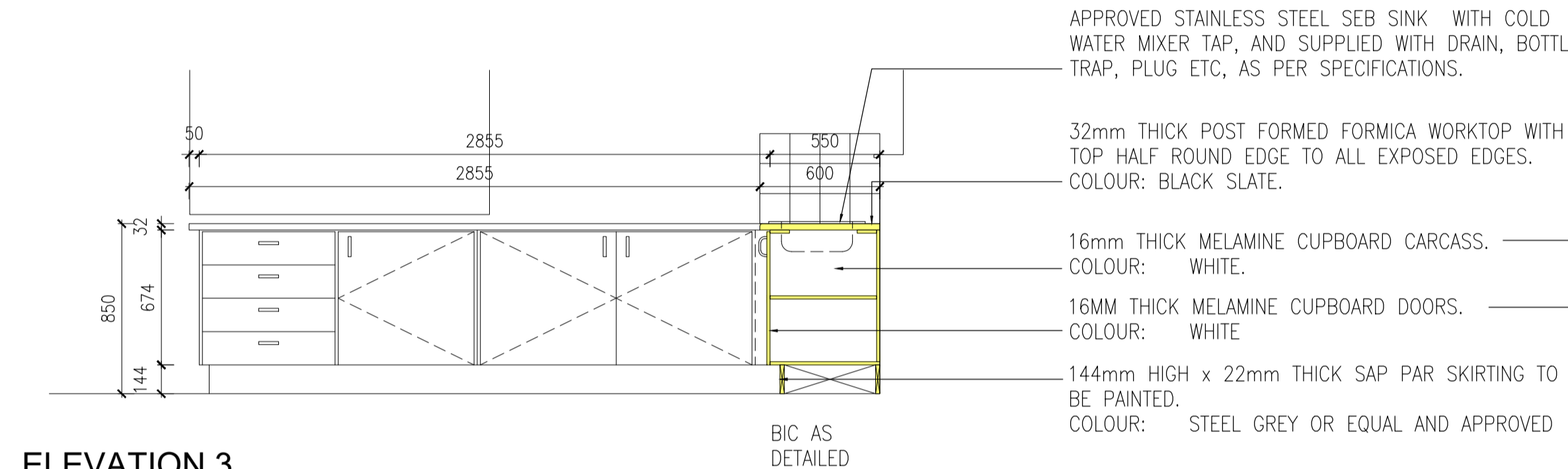
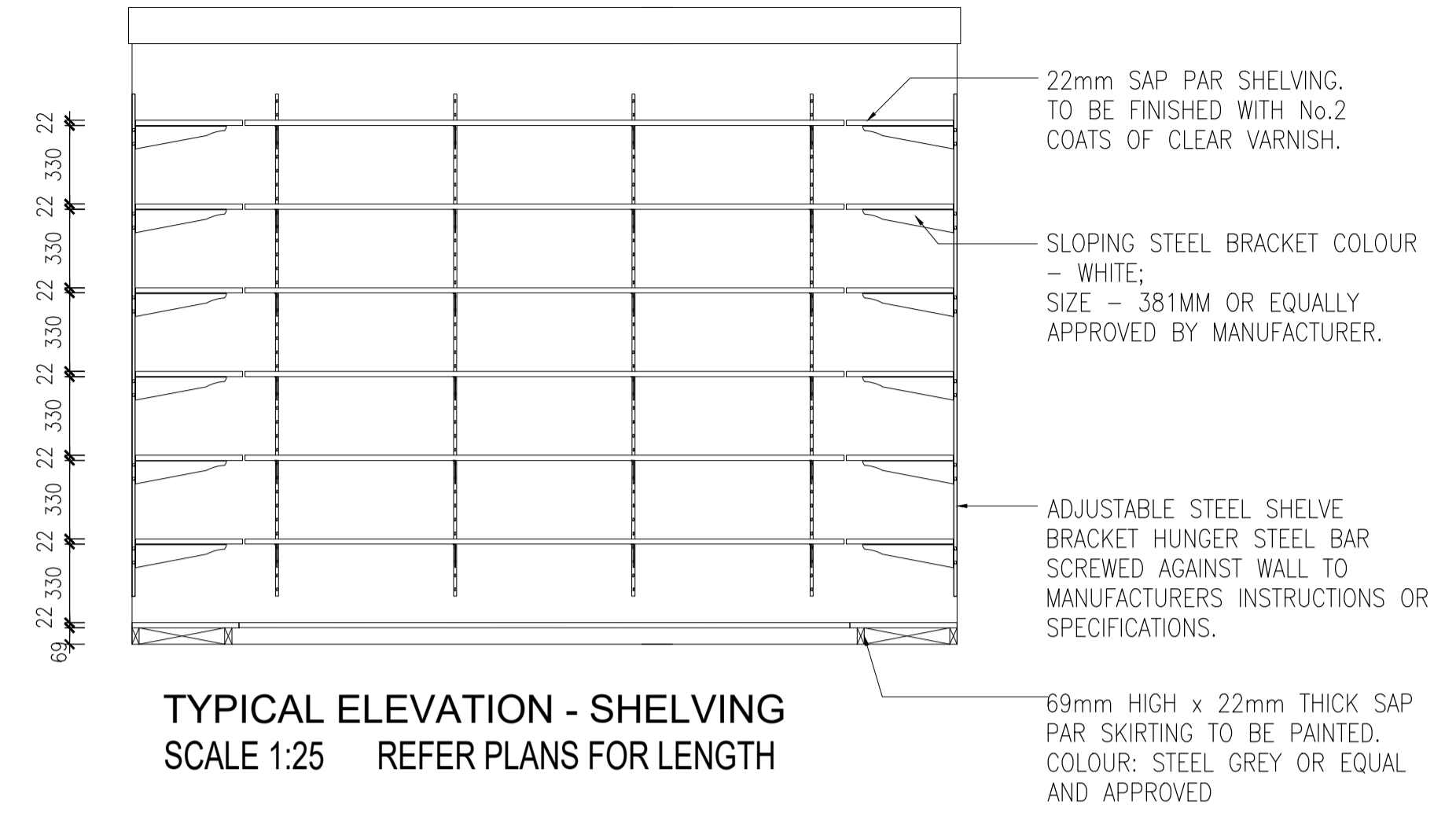
PROJECT NO	1920
DRAWING NO	1920 - AR - DES - 602
DATE	AUG '23
SCALE	NTS
REVISION	REV 1



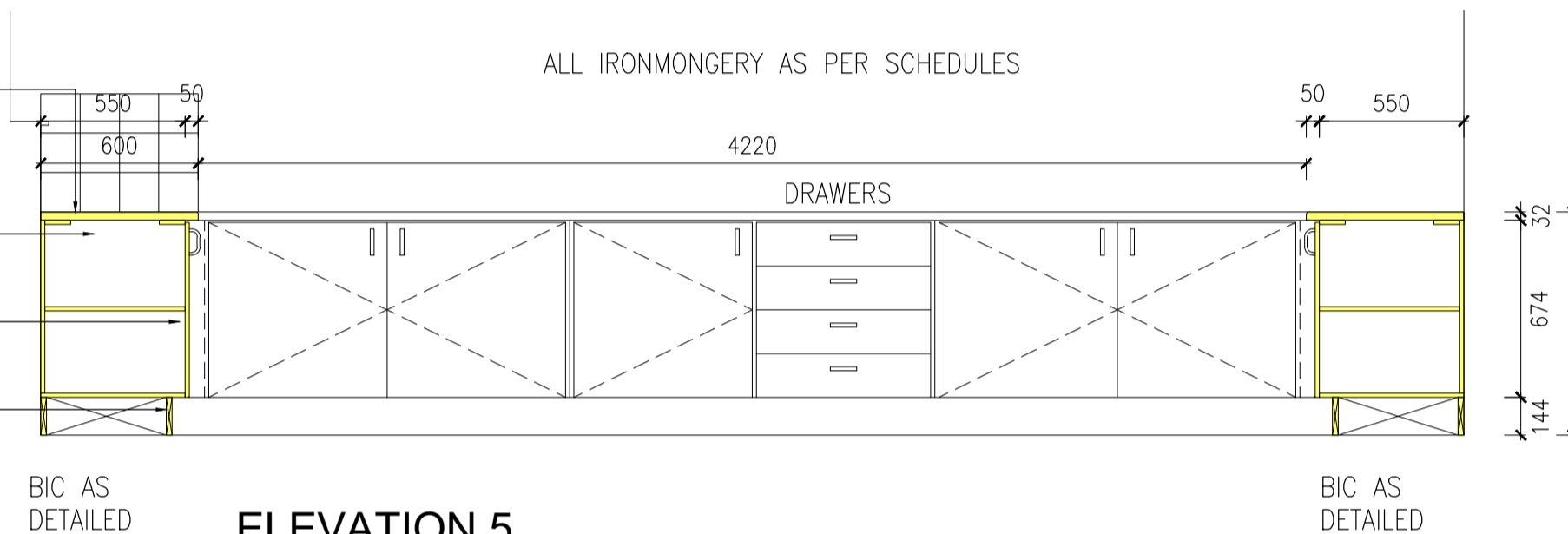
ELEVATION 4
SCALE 1:25



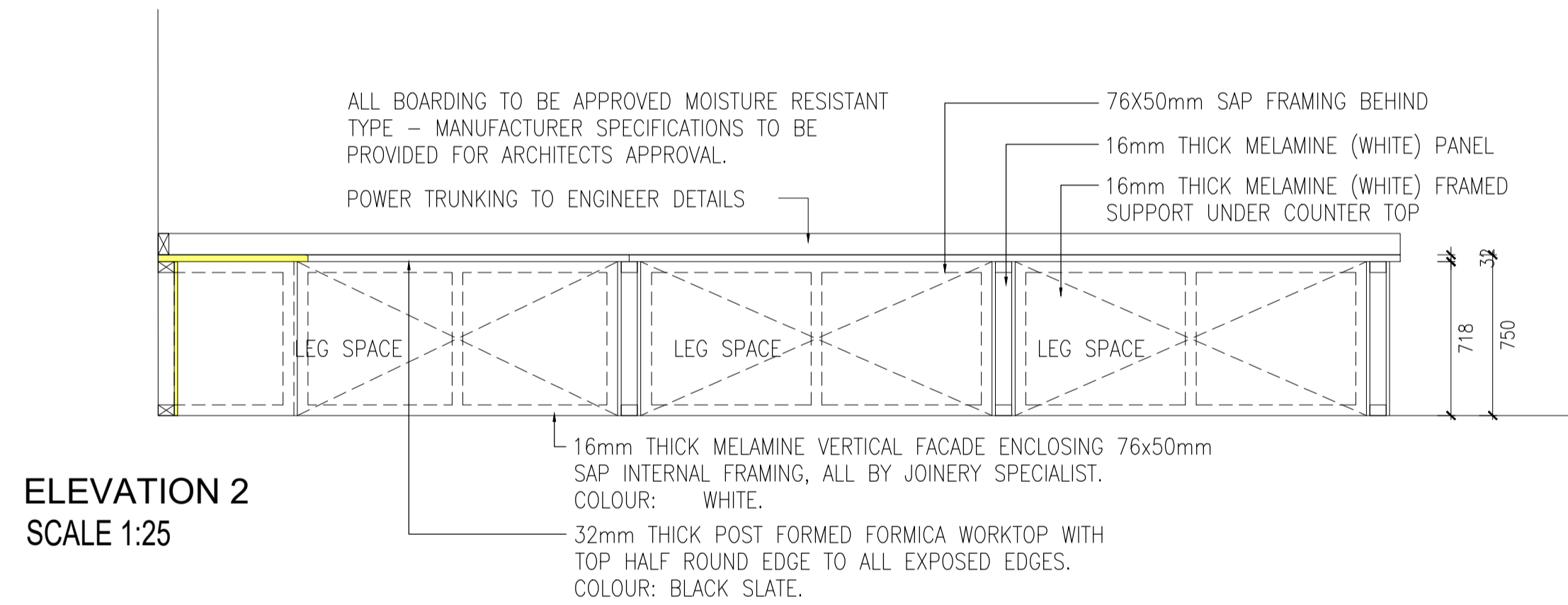
ELEVATION 6
SCALE 1:25



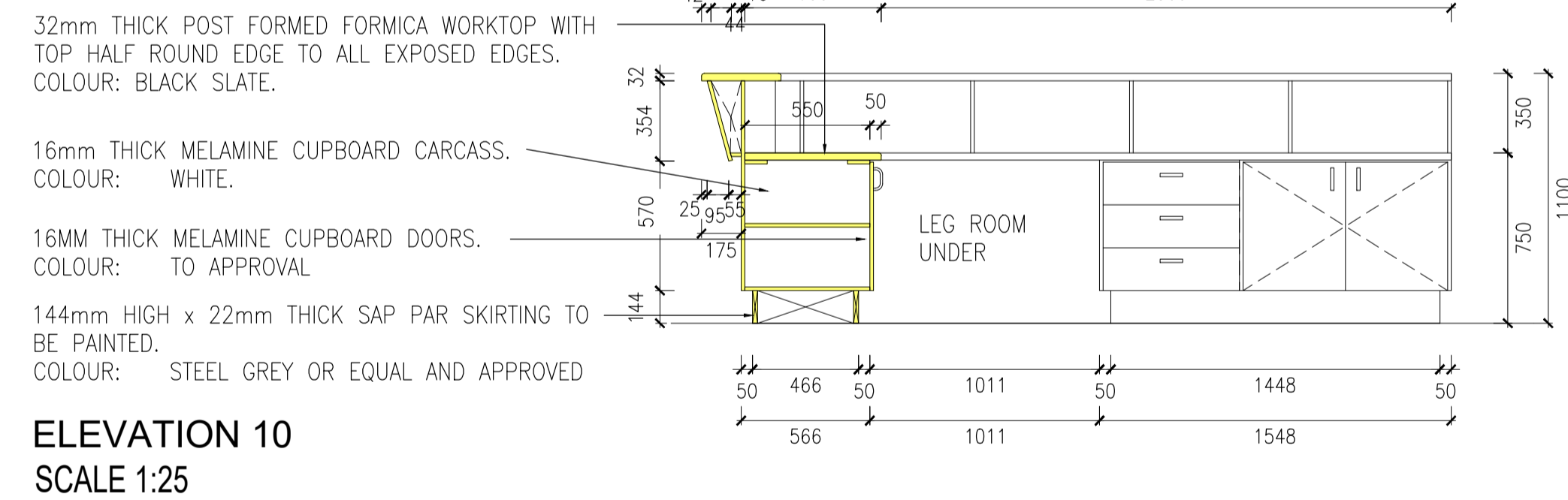
ELEVATION 3
SCALE 1:25



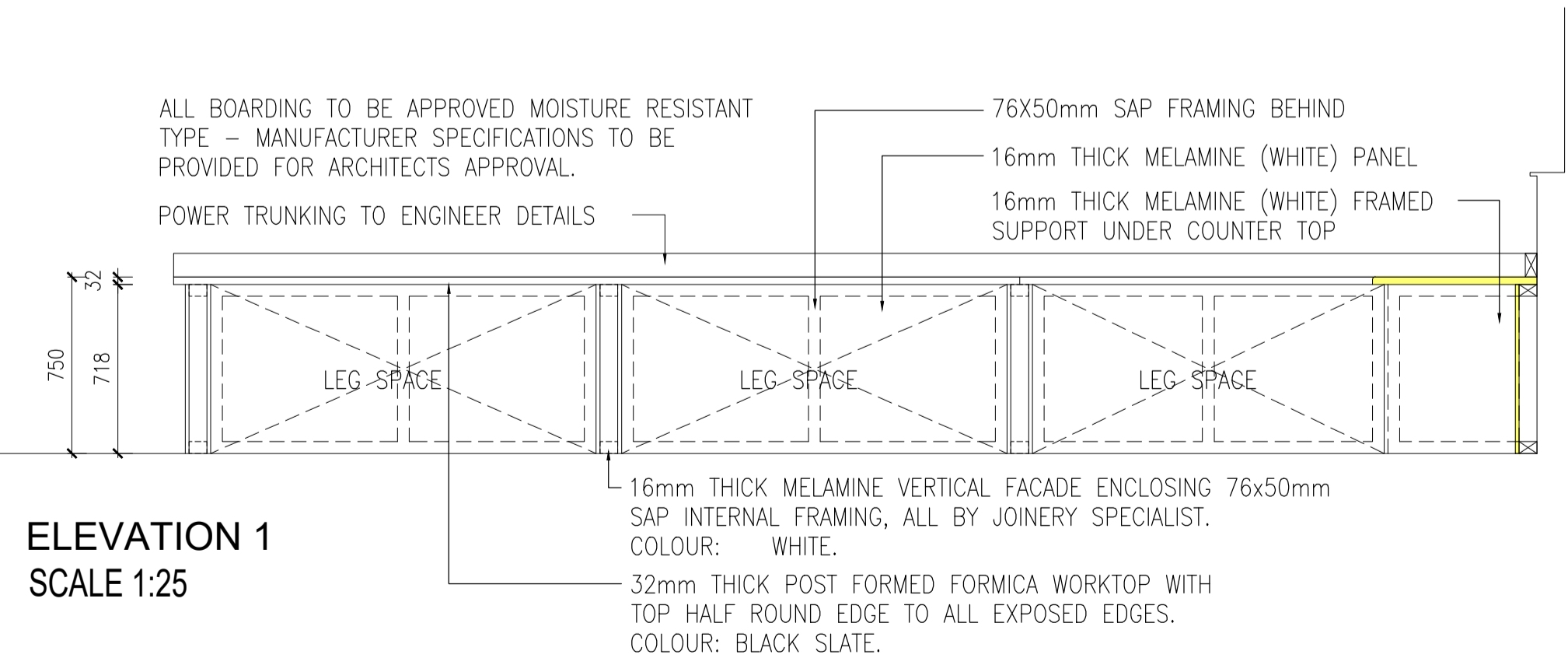
ELEVATION 5
SCALE 1:25



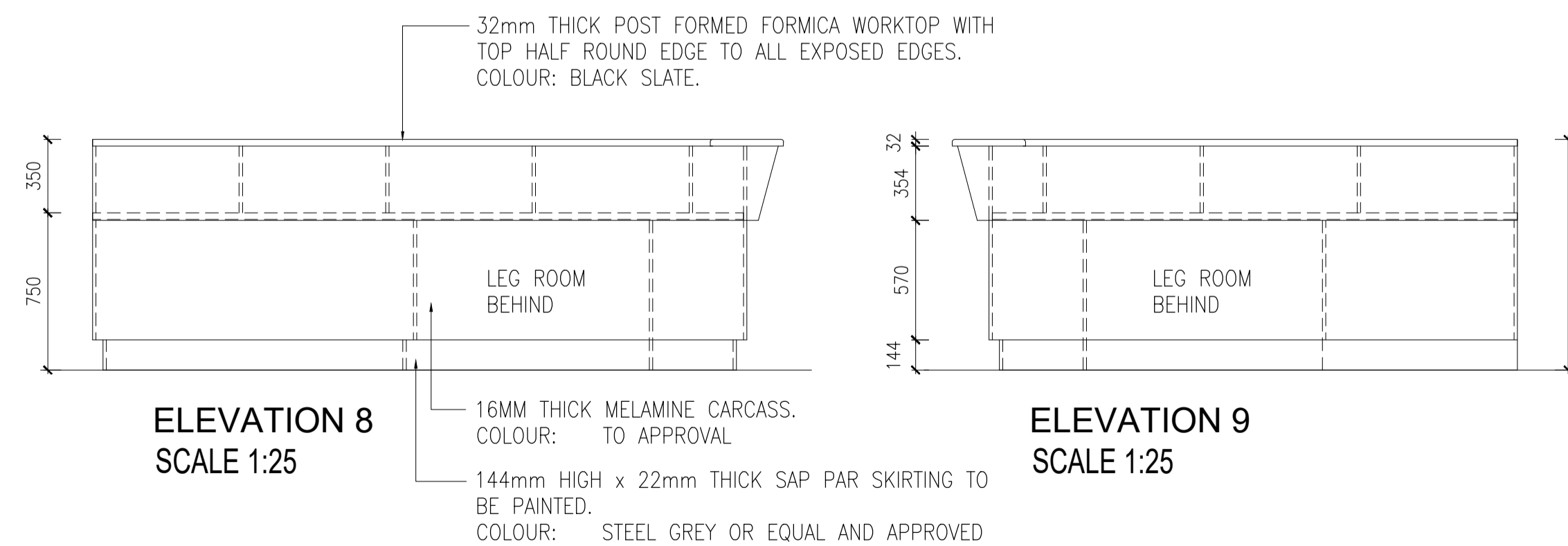
ELEVATION 2
SCALE 1:25



ELEVATION 10
SCALE 1:25



ELEVATION 1
SCALE 1:25



ELEVATION 8
SCALE 1:25

ELEVATION 9
SCALE 1:25

LIBRARY & COMPUTER LABORATORY
JOINERY DETAILS
Scale 1:25

MUNICIPAL STAMP

CONSTRUCTION NOTES

ALL WORK TO BE CARRIED OUT STRICTLY IN ACCORDANCE WITH MUNICIPAL AND/OR LOCAL AUTHORITY REGULATIONS. DO NOT SCALE THIS DRAWING. FIGURED DIMENSIONS TO BE TAKEN IN PREFERENCE TO SCALING DRAWING. ALL RELEVANT DETAIL LEVELS AND DIMENSIONS TO BE CHECKED ON SITE PRIOR TO COMMENCEMENT OF WORK. ANY DISCREPANCIES TO BE BROUGHT TO THE ATTENTION OF THE ARCHITECT.

GENERAL NOTES

TRADE NAMES
WHERE TRADE NAMES ARE SPECIFIED ON DRAWINGS, THE CONTRACTOR IS RESPONSIBLE TO SOURCE MATERIALS THAT ARE EQUAL OR OTHERWISE APPROVED BY THE DEPARTMENT OF ROADS AND PUBLIC WORKS.

REV	DATE	DESCRIPTION
1	22.08.2023	ADD JOINERY DETAILS

PROJECT TITLE
EASTERN CAPE SCHOOL BUILDING PROGRAMME

PROJECT LOCATION
MTHINGWEVU SS SCHOOL

DISCIPLINE
JOINERY DETAILS
LIBRARY & COMPUTER LAB.

CLIENT
Province of the EASTERN CAPE EDUCATION

IMPLEMENTING AGENTS
BTKM

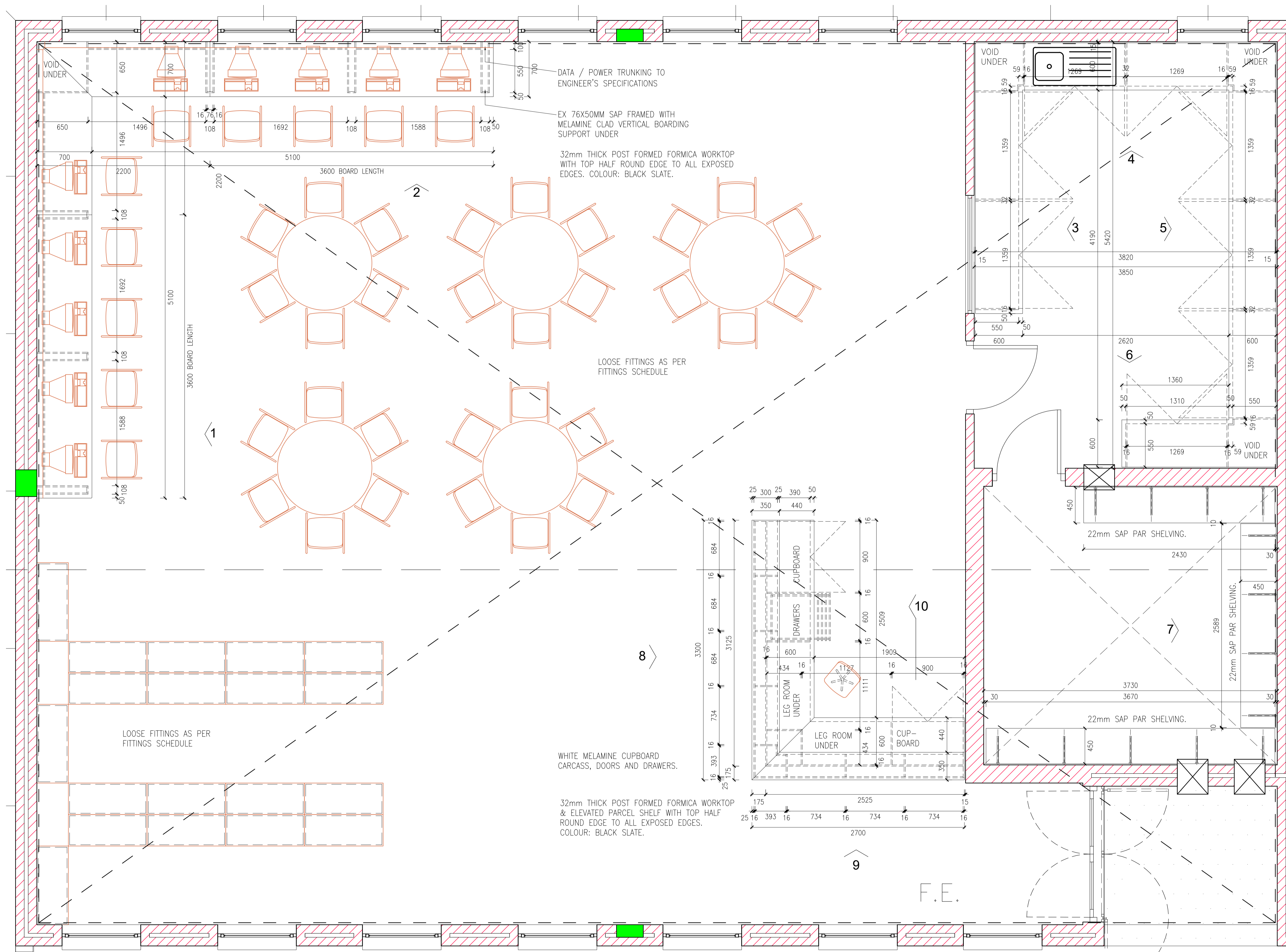
PROJECT NUMBER
1920

DRAWING NUMBER
1920 - AR - DES - 165

DATE
AUG '23

SCALE
1:25

REVISION
REV 1



MUNICIPAL STAMP

CONSTRUCTION NOTES

ALL WORK TO BE CARRIED OUT STRICTLY IN ACCORDANCE WITH MUNICIPAL AND/OR LOCAL AUTHORITY REGULATIONS. DO NOT SCALE THIS DRAWING. FIGURED DIMENSIONS TO BE TAKEN IN PREFERENCE TO SCALING DRAWING. ALL RELEVANT DETAIL LEVELS AND DIMENSIONS TO BE CHECKED ON SITE PRIOR TO COMMENCEMENT OF WORK. ANY DISCREPANCIES TO BE BROUGHT TO THE ATTENTION OF THE ARCHITECT.

GENERAL NOTES

TRADE NAMES WHERE TRADE NAMES ARE SPECIFIED ON DRAWINGS, THE CONTRACTOR IS RESPONSIBLE TO SOURCE MATERIALS THAT ARE EQUAL OR OTHERWISE APPROVED BY THE DEPARTMENT OF ROADS AND PUBLIC WORKS.

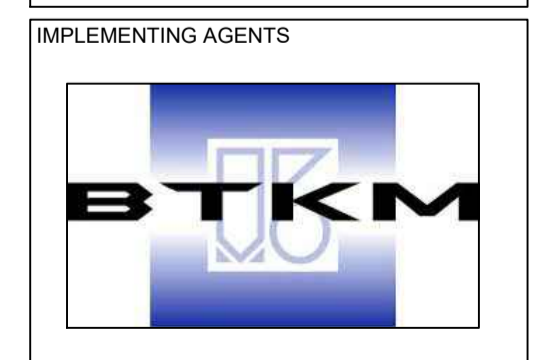
REV	DATE	DESCRIPTION
1	22.08.2023	ADD JOINERY DETAILS

PROJECT TITLE: EASTERN CAPE SCHOOL BUILDING PROGRAMME

PROJECT LOCATION: MTHINGWEVU SS SCHOOL

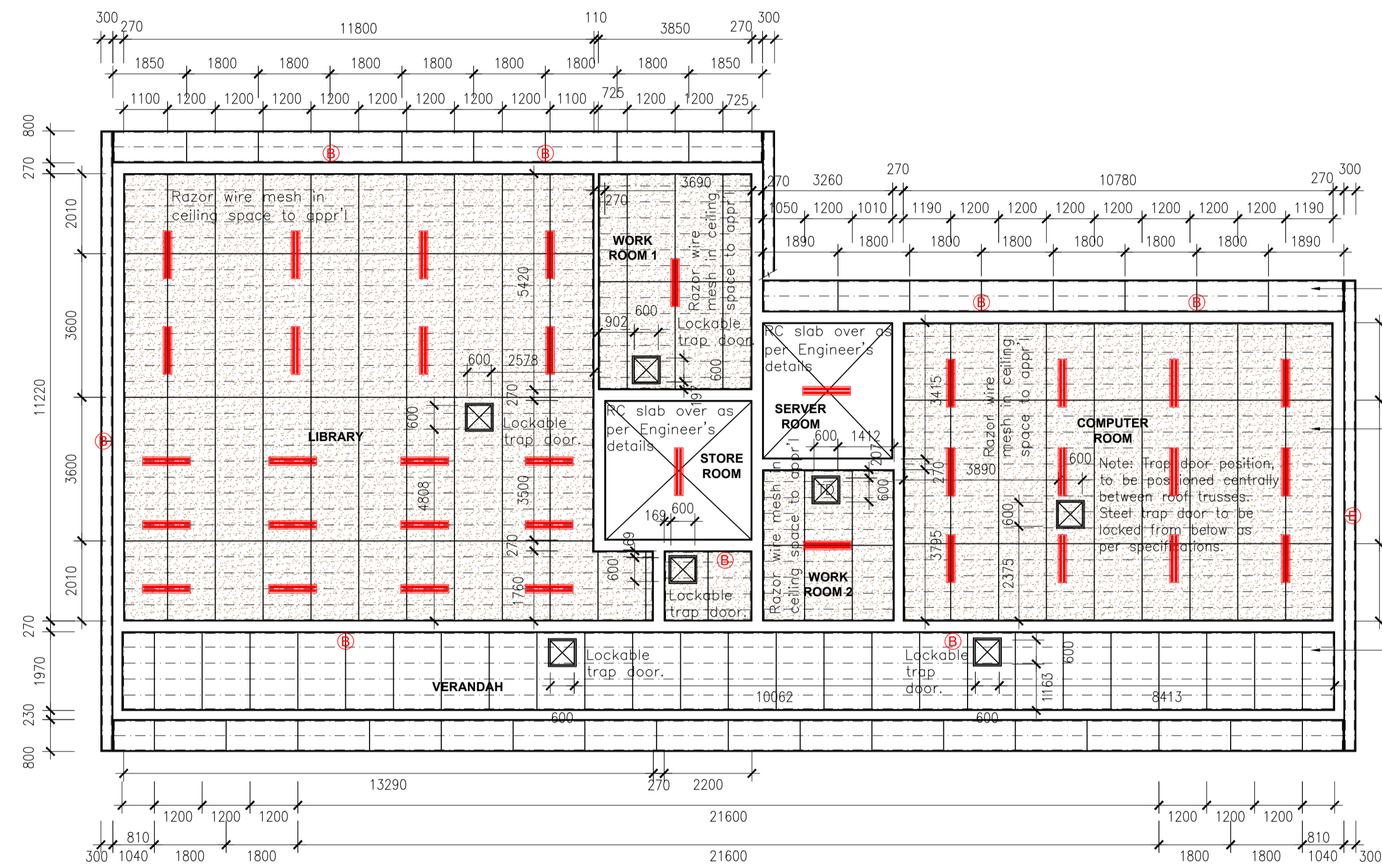
DRAWING CLASSIFICATION: JOINERY DETAILS LIBRARY & COMPUTER LAB.

CLIENT: Province of the EASTERN CAPE EDUCATION



PROJECT NO:	1920
DRAWING NO:	1920 - AR - DES - 163
DATE:	AUG '23
SCALE:	1:25
REVISION:	REV 1

LIBRARY & COMPUTER LABORATORY
JOINERY DETAILS
Scale 1:25



CEILING PLAN - LIBRARY / COMPUTER ROOM
scale 1:100

NOTE:
Provide approved galvanised razor wire mesh in ceiling space throughout internally over all fibre cement ceilings, to approval, and according to Manufacturer's specifications.

Flat Eaves – 38 x 50mm S.A. pine branding nailed & skew nailed, with 38x38mm SAP droppers from rafters, at max. 400mm c/c spacing one way to underside of tie-beam. 6mm fibre cement ceiling boards nailed with 32mm ceiling nails to branders @ max. 150mm c/c spacing. PVC "H" jointing strips with 19mm \varnothing HW quadrant edge trim.

38 x 50mm S.A. pine branding nailed & skew nailed at max. 400mm c/c spacing one way to underside of tie-beam. 6mm fibre cement ceiling boards nailed with 32mm ceiling nails to branders @ max. 150mm c/c spacing. 6mm thick fibre cement ceiling boards & PVC "H" jointing strips on 50x38mm SA Pine branding at max 400mm centres across width of ceiling boards with purpose made timber cornice. 100mm thick mineral wool insulation to top of ceiling

Flat Veranda Ceiling: 38 x 50mm S.A. pine branding nailed & skew nailed at max. 400mm c/c spacing one way to underside of tie-beam. 6mm fibre cement ceiling boards nailed with 32mm ceiling nails to branders @ max. 150mm c/c spacing. PVC "H" jointing strips.

MUNICIPAL STAMP

CONSTRUCTION NOTES

ALL WORK TO BE CARRIED OUT STRICTLY IN ACCORDANCE WITH MUNICIPAL AND/OR LOCAL AUTHORITY REGULATIONS. DO NOT SCALE THIS DRAWING. FIGURED DIMENSIONS TO BE TAKEN IN PREFERENCE TO SCALING DRAWING. ALL RELEVANT DETAIL LEVELS AND DIMENSIONS TO BE CHECKED ON SITE PRIOR TO COMMENCEMENT OF WORK. ANY DISCREPANCIES TO BE BROUGHT TO THE ATTENTION OF THE ARCHITECT.

GENERAL NOTES

TRADE NAMES
WHERE TRADE NAMES ARE SPECIFIED ON DRAWINGS, THE CONTRACTOR IS RESPONSIBLE TO SOURCE MATERIALS THAT ARE EQUAL OR OTHERWISE APPROVED BY THE DEPARTMENT OF ROADS AND PUBLIC WORKS.

REV DATE DESCRIPTION

REV	DATE	DESCRIPTION
1	22.08.2023	FOR CLIENT APPROVAL

PROJECT TITLE

EASTERN CAPE SCHOOL BUILDING PROGRAMME

PROJECT LOCATION

MTHINGWEVU SS SCHOOL

DRAWING DESCRIPTION

CEILING PLAN - LIBRARY & COMPUTER LAB.

CLIENT



IMPLEMENTING AGENTS



PROJECT NUMBER

1920

DRAWING NUMBER

1920 - AR - DES - 162

DATE

AUG '23

SCALE

1:100/

REVISION

REV 1

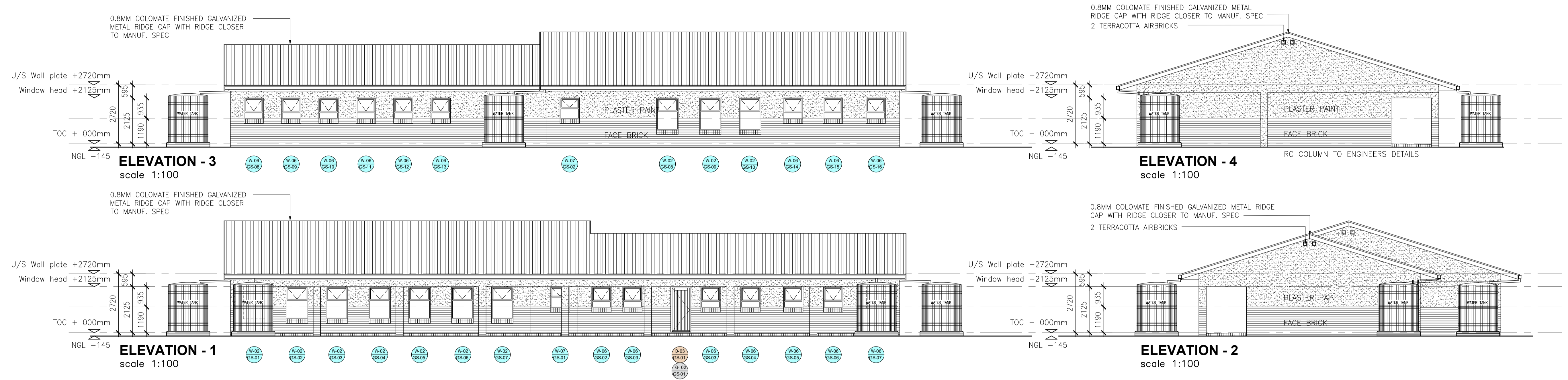
MUNICIPAL STAMP

CONSTRUCTION NOTES

ALL WORK TO BE CARRIED OUT STRICTLY IN ACCORDANCE WITH MUNICIPAL AND/OR LOCAL AUTHORITY REGULATIONS. DO NOT SCALE THIS DRAWING. FIGURED DIMENSIONS TO BE TAKEN IN PREFERENCE TO SCALING DRAWING. ALL RELEVANT DETAILS, LEVELS, AND DIMENSIONS TO BE CHECKED ON SITE PRIOR TO COMMENCEMENT OF WORK. ANY DISCREPANCIES TO BE BROUGHT TO THE ATTENTION OF THE ARCHITECT.

GENERAL NOTES

TRADE NAMES WHERE TRADE NAMES ARE SPECIFIED ON DRAWINGS, THE CONTRACTOR IS RESPONSIBLE TO SOURCE MATERIALS THAT ARE EQUAL OR OTHERWISE APPROVED BY THE DEPARTMENT OF ROADS AND PUBLIC WORKS.

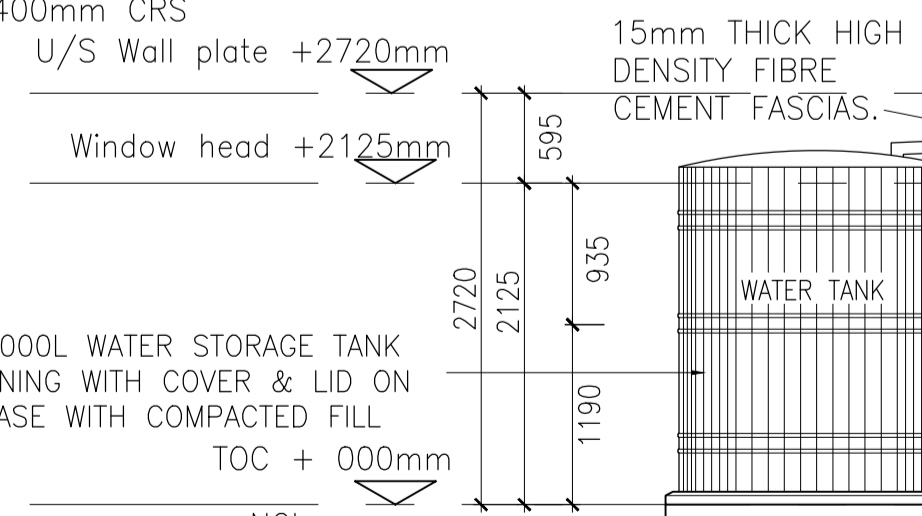


0.8MM COLOMATE FINISHED GALVANIZED METAL IFR PROFILE ROOF SHEETING @ 17,5' ON INSULATION ON 76x50mm S.A PINE PURLINS @ 1050mm C/Cs ON PREFABRICATED TIMBER TRUSSES TO ENG'S DETAIL AND SPEC.

38 X 50MM S.A. PINE BRANDING NAILED & SKEW NAILED AT MAX. 400MM C/C SPACING ONE WAY TO UNDERSIDE OF TIE-BEAM. 6MM FIBRE CEMENT CEILING BOARDS NAILED WITH 32MM CEILING NAILS TO BRANDERS @ MAX. 150MM C/C SPACING. 6MM THICK FIBRE CEMENT CEILING BOARDS & PVC "H" JOINTING STRIPS ON 50X38MM SA PINE BRANDING AT MAX. 400MM CENTRES ACROSS WIDTH OF CEILING BOARDS WITH PURPOSE MADE TIMBER CORNICE. 100MM THICK MINERAL WOOL INSULATION TO TOP OF CEILING

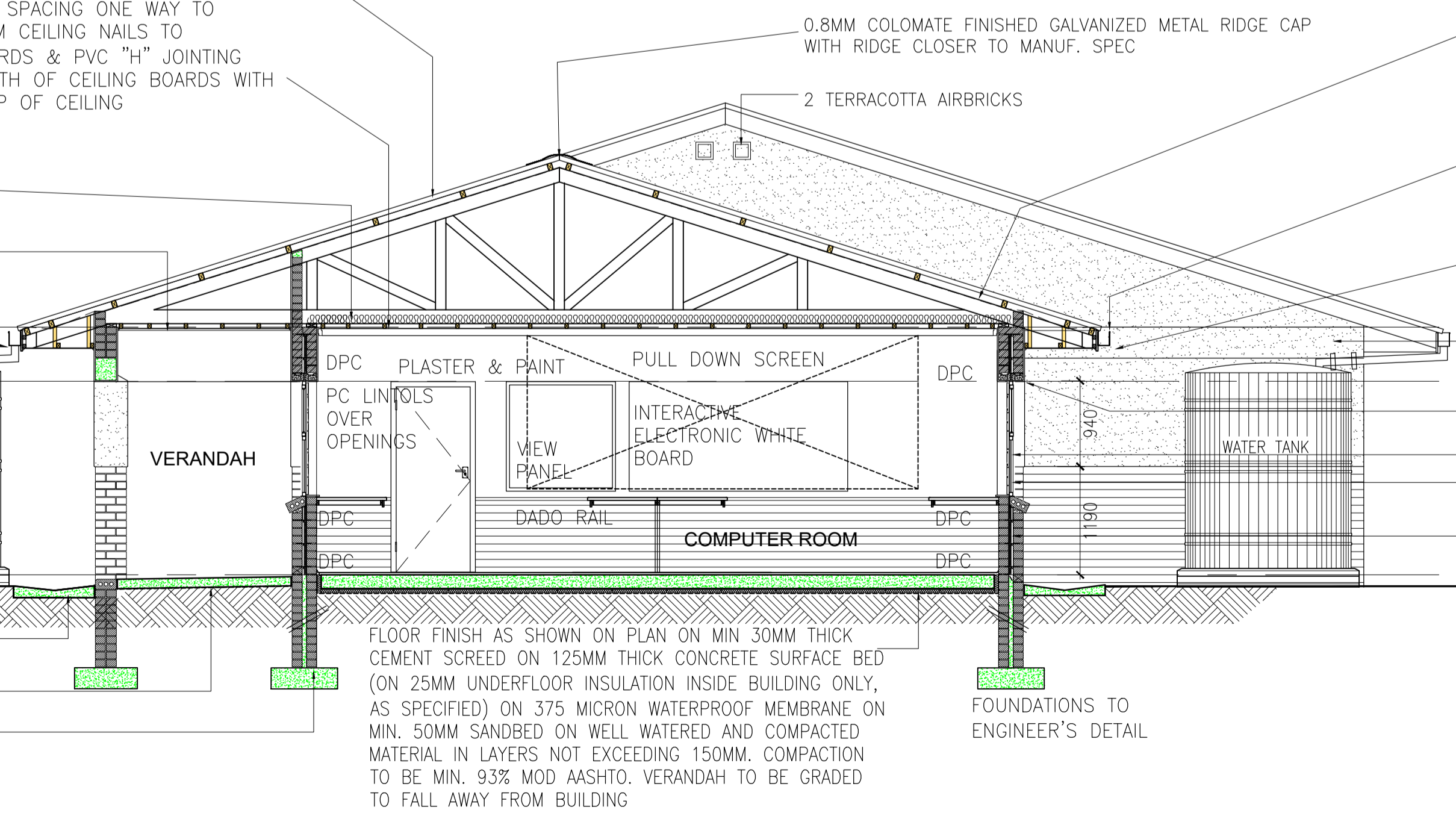
100MM NON-COMBUSTIBLE LIGHTWEIGHT MINERAL WOOL INSULATION BLANKET FITTED BETWEEN THE BEAMS AND LAID LOOSE ON TOP OF BRANDING.

6mm CLADIT CEILING TO VERANDAH, FIXED TO U/S 38x50mm PINE BRANDING AT 400mm CRS



1800mmØ, 2040 HIGH 5000L WATER STORAGE TANK WITH BLACK INTERNAL LINING WITH COVER & LID ON A 340MM HIGH BRICK BASE WITH COMPACTED FILL BASE

900MM WIDE V-CHANNEL APRON WITH JOINTS AT MAX. 2000MM C/C SPACING
CONC. FINISH WOOD FLOAT
CONCRETE FOUNDATION TO ENG'S DETAILS TO SUIT THE SPECIFIC SITE CONDITION



FLOOR FINISH AS SHOWN ON PLAN ON MIN 30MM THICK CEMENT SCREED ON 125MM THICK CONCRETE SURFACE BED (ON 25MM UNDERFLOOR INSULATION INSIDE BUILDING ONLY, AS SPECIFIED) ON 375 MICRON WATERPROOF MEMBRANE ON MIN. 50MM SANDBED ON WELL WATERED AND COMPACTED MATERIAL IN LAYERS NOT EXCEEDING 150MM. COMPACTION TO BE MIN. 93% MOD AASHTO. VERANDAH TO BE GRADED TO FALL AWAY FROM BUILDING

0.8MM COLOMATE FINISHED GALVANIZED METAL RIDGE CAP WITH RIDGE CLOSER TO MANUF. SPEC

APPROVED ALUMINIUM FOIL INSULATION FIXED UNDER PURLINS WITH MIN. 150MM OVERLAPS AT JOINS AND ALLOW SAG WIRES AT 275MM CRS, FIXED OVER TRUSSES, ALL IN ACCORDANCE WITH MANUFACTURER'S SPECIFICATIONS

150X125X150MM BOX GALVANIZED STEEL GUTTER WITH BRACKETS FIXED ACCORDING TO MANUFACTURERS SPECIFICATION.

225 X 12MM PRESSED FIBRE-CEMENT FASCIA WITH PVC JOINTERS FIXED TO RAFTER ENDS WITH ADEQUATE BRASS SCREWS

RC RING BEAM TO ENG. DETAILS

PRECAST CONCRETE LINTOLS OVER ALL DOOR & WINDOW OPENINGS, TO BE PLASTER & PAINTED TO MATCH WALL SURROUNDS
APPROVED ALUMINIUM WINDOWS (REFER TO SCHEDULES)
PLASTER PAINTED WALLS ABOVE AND APPROVED FACEBRICK WALLS BELOW DADO EXTERNALLY
270mm INSULATED CAVITY WALLS AS DETAILED, WITH CONCRETE FILL BELOW DPC / FLOOR LEVEL ALL AS PER ENGINEER'S DETAILS

TYPICAL SECTION A-A
scale 1:50

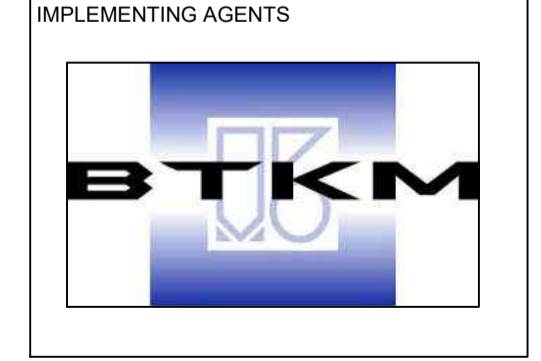
REV	DATE	DESCRIPTION
1	22.08.2023	FOR CLIENT APPROVAL

PROJECT TITLE: EASTERN CAPE SCHOOL BUILDING PROGRAMME

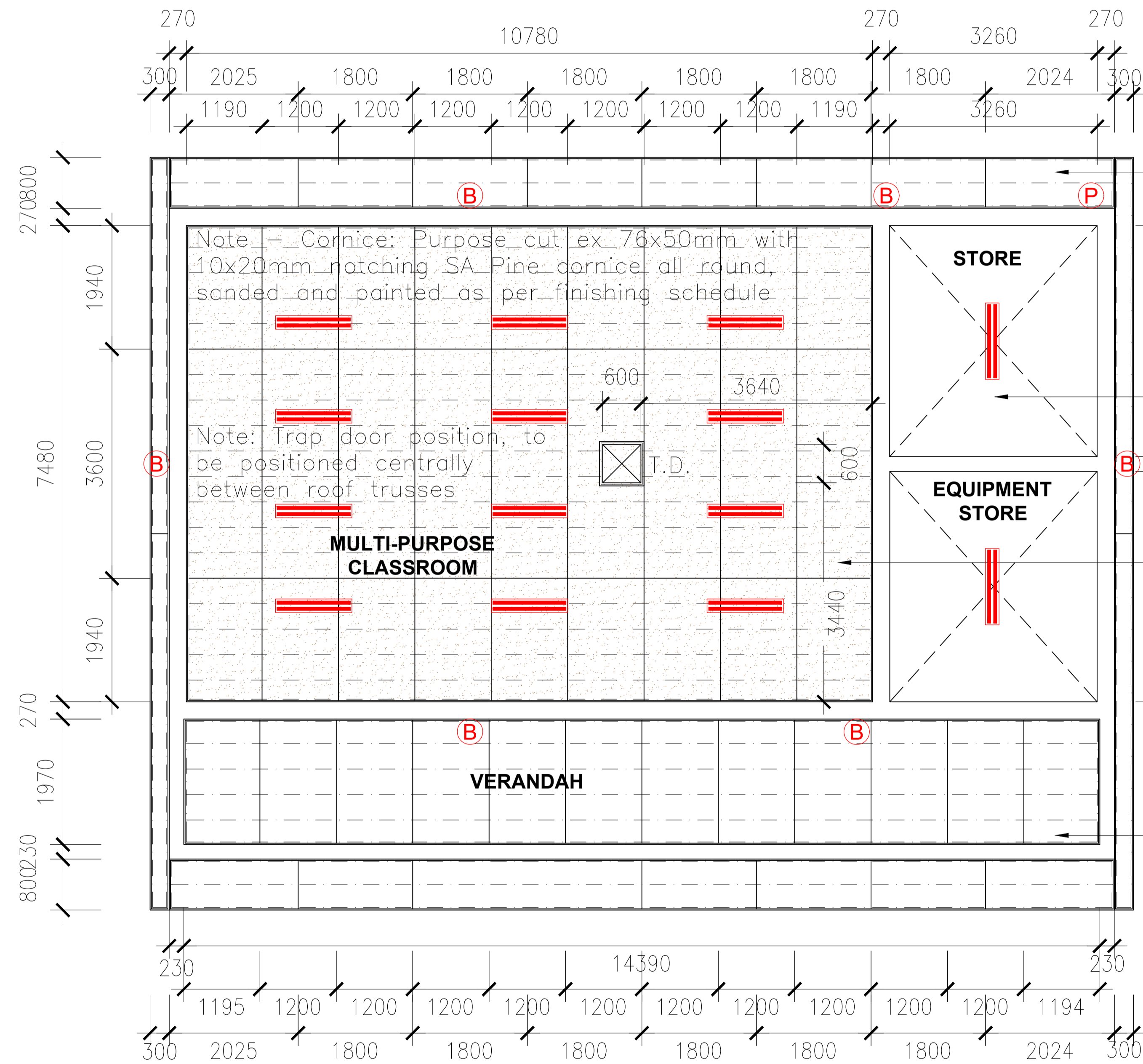
PROJECT LOCATION: MTHINGWEVU SS SCHOOL

DRAWING DESCRIPTION: PLANS, SECTION, ELEVATIONS LIBRARY & COMPUTER LAB.

CLIENT: Province of the EASTERN CAPE EDUCATION



PROJECT NO:	1920
DRAWING NO:	1920 - AR - DES - 161
DATE:	Apr 2016
SCALE:	1:100 / 1:50
REVISION:	REV 1



CEILING PLAN - MULTI-PURPOSE CLASSROOM
scale 1:50

NOTE:
Provide approved galvanised razor wire mesh in ceiling space throughout internally over all fibre cement ceilings, to approval, and according to Manufacturer's specifications.

Flat Eaves – 38 x 50mm S.A. pine brandering nailed & skew nailed, with 38x38mm SAP droppers from rafters, at max. 400mm c/c spacing one way to underside of tie-beam. 6mm fibre cement ceiling boards nailed with 32mm ceiling nails to branders @ max. 150mm c/c spacing. PVC "H" jointing strips with 19mmØ HW quadrant edge trim.

PC lintol / RC slab over stores, as per Engineer's details & specifications, to receive smooth plastered and painted finish to soffit, as per finishing schedule.

38 x 50mm S.A. pine brandering nailed & skew nailed at max. 400mm c/c spacing one way to underside of tie-beam. 6mm fibre cement ceiling boards nailed with 32mm ceiling nails to branders @ max. 150mm c/c spacing. 6mm thick fibre cement ceiling boards & PVC "H" jointing strips on 50x38mm SA Pine brandering at max 400mm centres across width of ceiling boards with purpose made timber cornice. 100mm thick mineral wool insulation to top of ceiling

Flat Veranda Ceiling: 38 x 50mm S.A. pine brandering nailed & skew nailed at max. 400mm c/c spacing one way to underside of tie-beam. 6mm fibre cement ceiling boards nailed with 32mm ceiling nails to branders @ max. 150mm c/c spacing. PVC "H" jointing strips.

MUNICIPAL STAMP

CONSTRUCTION NOTES
ALL WORK TO BE CARRIED OUT STRICTLY IN ACCORDANCE WITH MUNICIPAL AND/OR LOCAL AUTHORITY REGULATIONS. DO NOT SCALE THIS DRAWING. FIGURED DIMENSIONS TO BE TAKEN IN PREFERENCE TO SCALING DRAWING. ALL RELEVANT DETAIL LEVELS AND DIMENSIONS TO BE CHECKED ON SITE PRIOR TO COMMENCEMENT OF WORK. ANY DISCREPANCIES TO BE BROUGHT TO THE ATTENTION OF THE ARCHITECT.

GENERAL NOTES
TRADE NAMES
WHERE TRADE NAMES ARE SPECIFIED ON DRAWINGS, THE CONTRACTOR IS RESPONSIBLE TO SOURCE MATERIALS THAT ARE EQUAL OR OTHERWISE APPROVED BY THE DEPARTMENT OF ROADS AND PUBLIC WORKS.

REV	DATE	DESCRIPTION
1	22.08.2023	FOR CLIENT APPROVAL

PROJECT TITLE: EASTERN CAPE SCHOOL BUILDING PROGRAMME

PROJECT LOCATION: MTHINGWEVU SS SCHOOL

DRAWING DESCRIPTION: CEILING PLAN MULTI-PURPOSE BLOCK

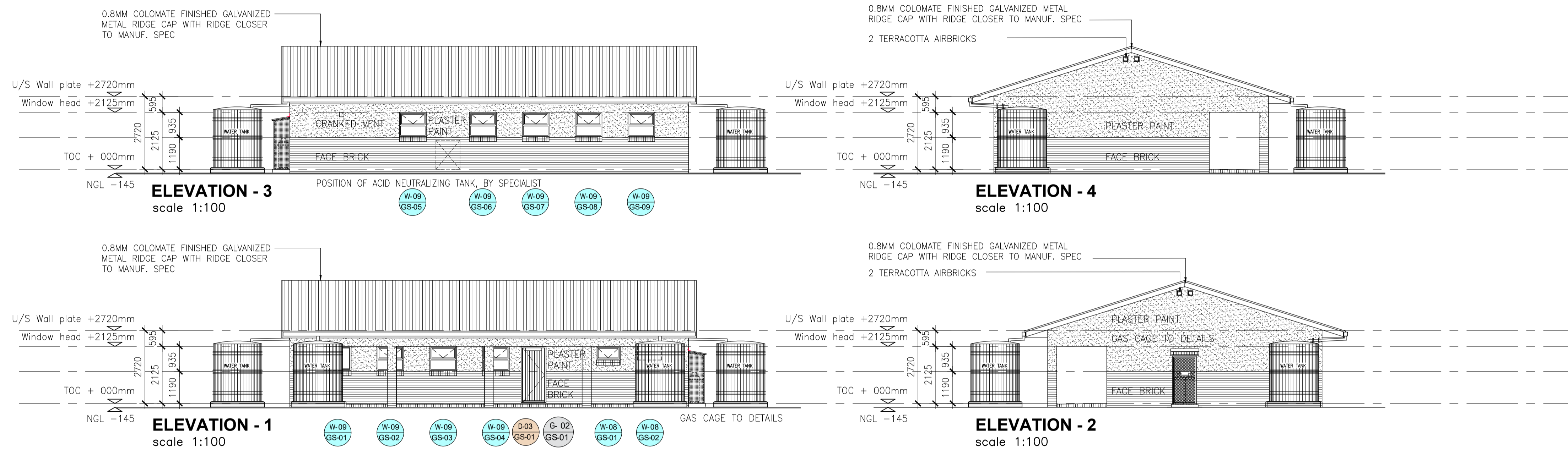
CLIENT



IMPLEMENTING AGENTS



PROJECT NUMBER	1920
DRAWING NUMBER	1920 - AR - DES - 132
DATE	AUG '23
SCALE	1:50
REVISION	REV 1



0.8MM COLOMATE FINISHED GALVANIZED METAL IFR PROFILE ROOF SHEETING @ 17,5' ON INSULATION ON 76x50mm S.A PINE PURLINS @ 1050mm C/Cs ON PREFABRICATED TIMBER TRUSSES TO ENG'S DETAIL AND SPEC.

38 X 50MM S.A. PINE BRANDING NAILED & SKEW NAILED AT MAX. 400MM C/C SPACING ONE WAY TO UNDERSIDE OF TIE-BEAM. 6MM FIBRE CEMENT CEILING BOARDS NAILED WITH 32MM CEILING NAILS TO BRANDERS @ MAX. 150MM C/C SPACING. 6MM THICK FIBRE CEMENT CEILING BOARDS & PVC "H" JOINTING STRIPS ON 50X38MM SA PINE BRANDING AT MAX 400MM CENTRES ACROSS WIDTH OF CEILING BOARDS WITH PURPOSE MADE TIMBER CORNICE. 100MM THICK MINERAL WOOL INSULATION TO TOP OF CEILING

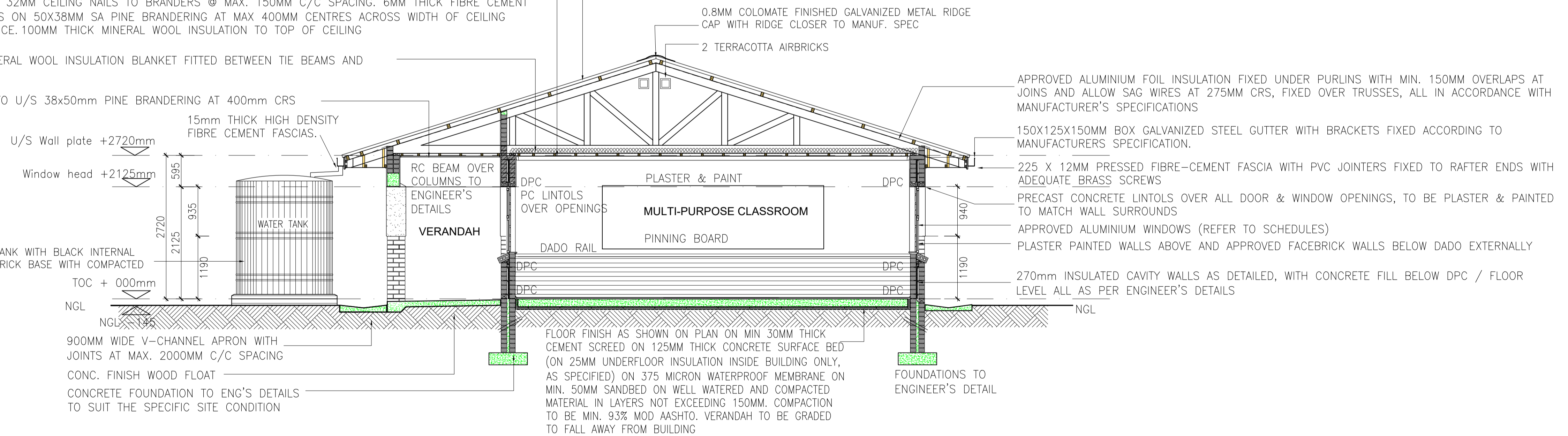
100MM NON-COMBUSTIBLE LIGHTWEIGHT MINERAL WOOL INSULATION BLANKET FITTED BETWEEN TIE BEAMS AND LAID LOOSE ON TOP OF BRANDING.

6mm CLADIT CEILING TO VERANDAH, FIXED TO U/S 38x50mm PINE BRANDING AT 400mm CRS

15mm THICK HIGH DENSITY FIBRE CEMENT FASCIAS.

1800mmØ, 2040 HIGH 5000L WATER STORAGE TANK WITH BLACK INTERNAL LINING WITH COVER & LID ON A 340MM HIGH BRICK BASE WITH COMPACTED FILL BASE

TYPICAL SECTION A-A
scale 1:50



MUNICIPAL STAMP

CONSTRUCTION NOTES

ALL WORK TO BE CARRIED OUT STRICTLY IN ACCORDANCE WITH MUNICIPAL AND/OR LOCAL AUTHORITY REGULATIONS. DO NOT SCALE THIS DRAWING. FIGURED DIMENSIONS TO BE TAKEN IN PREFERENCE TO SCALING DRAWING. ALL RELEVANT DETAILS, LEVELS, AND DIMENSIONS TO BE CHECKED ON SITE PRIOR TO COMMENCEMENT OF WORK. ANY DISCREPANCIES TO BE BROUGHT TO THE ATTENTION OF THE ARCHITECT.

GENERAL NOTES

TRADE NAMES WHERE TRADE NAMES ARE SPECIFIED ON DRAWINGS, THE CONTRACTOR IS RESPONSIBLE TO SOURCE MATERIALS THAT ARE EQUAL OR OTHERWISE APPROVED BY THE DEPARTMENT OF ROADS AND PUBLIC WORKS.

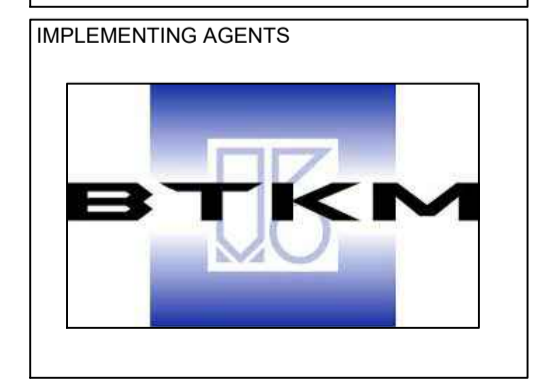
REV	DATE	DESCRIPTION
1	22.08.2023	FOR CLIENT APPROVAL

PROJECT TITLE
EASTERN CAPE SCHOOL BUILDING PROGRAMME

PROJECT LOCATION
MTHINGWEVU SS SCHOOL

SECTION CLASSIFICATION
SECTION, ELEVATIONS MULTI-PURPOSE BLOCK

CLIENT
Province of the EASTERN CAPE EDUCATION



PROJECT NUMBER
1920

DRAWING NUMBER
1920 - AR - DES - 133

DATE
AUG '23

SCALE
1:100 / 1:50

REVISION
REV 3

32mm THICK POST FORMED FORMICA WORKTOP WITH TOP HALF ROUND EDGE TO ALL EXPOSED EDGES. COLOUR: TO ARCHITECTS APPROVAL.

16mm THICK MELAMINE CPBRD DOORS. COLOUR: FOLKSTONE GREY OR EQUAL AND APPROVED.

44mm HIGH x 22mm THICK SAP PAR CLEAT. COLOUR: TO ARCHITECTS APPROVAL.

16mm THICK MELAMINE CARCASES, MIDDLE AND BOTTOM SHELF. COLOUR: TO ARCHITECTS APPROVAL.

144mm HIGH x 22mm THICK SAP PAR SKIRTING TO BE PAINTED. COLOUR: STEEL GREY OR EQUAL AND APPROVED

ELEVATION 5

RC SLAB TO ENGINEER'S DETAILS, BELOW WALLPLATE LEVEL

22mm SAP PAR SHELVING. TO BE FINISHED WITH No.2 COATS OF CLEAR VARNISH.

SLOPING STEEL BRACKET. COLOUR - WHITE; SIZE - 381MM OR EQUALLY APPROVED.

ADJUSTABLE STEEL SHELF BRACKET HANGER STEEL BAR SCREWED AGAINST WALL TO MANUFACTURERS INSTRUCTIONS OR SPECIFICATIONS.

69mm HIGH x 22mm THICK SAP PAR SKIRTING TO BE PAINTED. COLOUR: STEEL GREY OR EQUAL AND APPROVED

22mm SAP PAR SHELVING. TO BE FINISHED WITH No.2 COATS OF CLEAR VARNISH.

SLOPING STEEL BRACKET. COLOUR - WHITE; SIZE - 381MM OR EQUALLY APPROVED.

ADJUSTABLE STEEL SHELF BRACKET HANGER STEEL BAR SCREWED AGAINST WALL TO MANUFACTURERS INSTRUCTIONS OR SPECIFICATIONS.

69mm HIGH x 22mm THICK SAP PAR SKIRTING TO BE PAINTED. COLOUR: STEEL GREY OR EQUAL AND APPROVED

ELEVATION 4

STORE ROOM WALLS 15mm PLASTERED AND PAINTED FULL HEIGHT TO ACCOMMODATE STEEL BRACKETS, TO ARCHITECTS APPROVAL

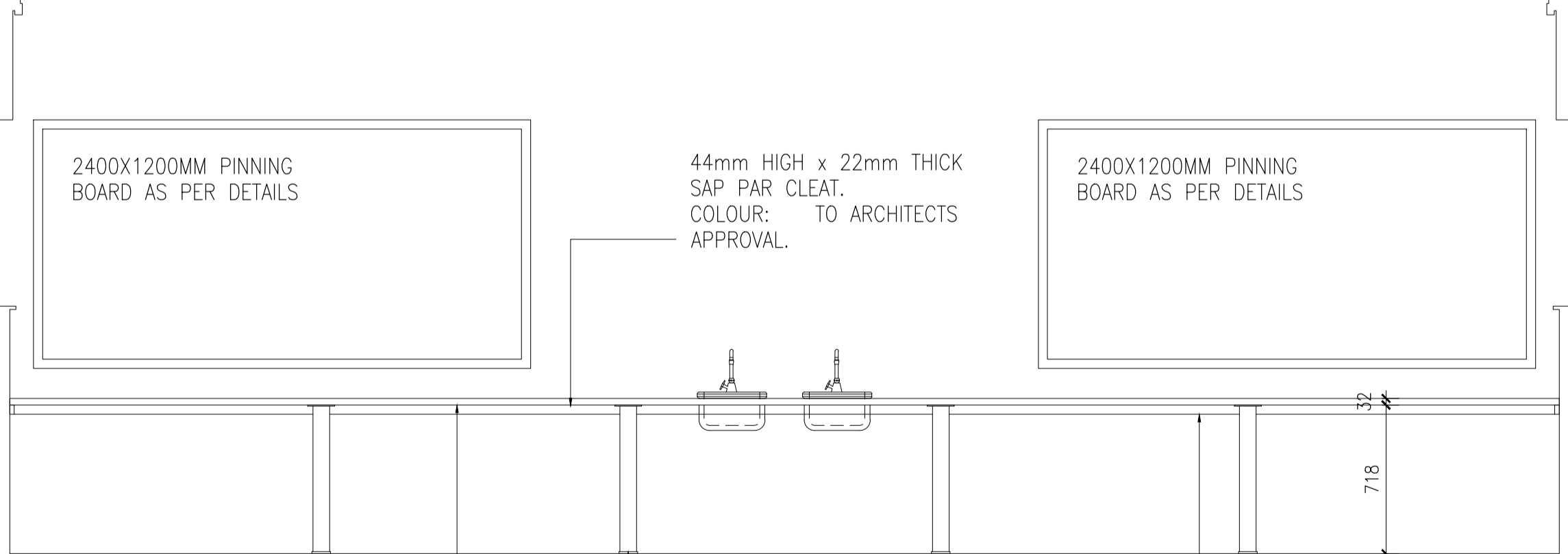
22mm SAP PAR SHELVING. TO BE FINISHED WITH No.2 COATS OF CLEAR VARNISH.

SLOPING STEEL BRACKET COLOUR - WHITE; SIZE - 381MM OR EQUALLY APPROVED BY MANUFACTURER.

ADJUSTABLE STEEL SHELF BRACKET HANGER STEEL BAR SCREWED AGAINST WALL TO MANUFACTURERS INSTRUCTIONS OR SPECIFICATIONS.

69mm HIGH x 22mm THICK SAP PAR SKIRTING TO BE PAINTED. COLOUR: STEEL GREY OR EQUAL AND APPROVED

ELEVATION 3

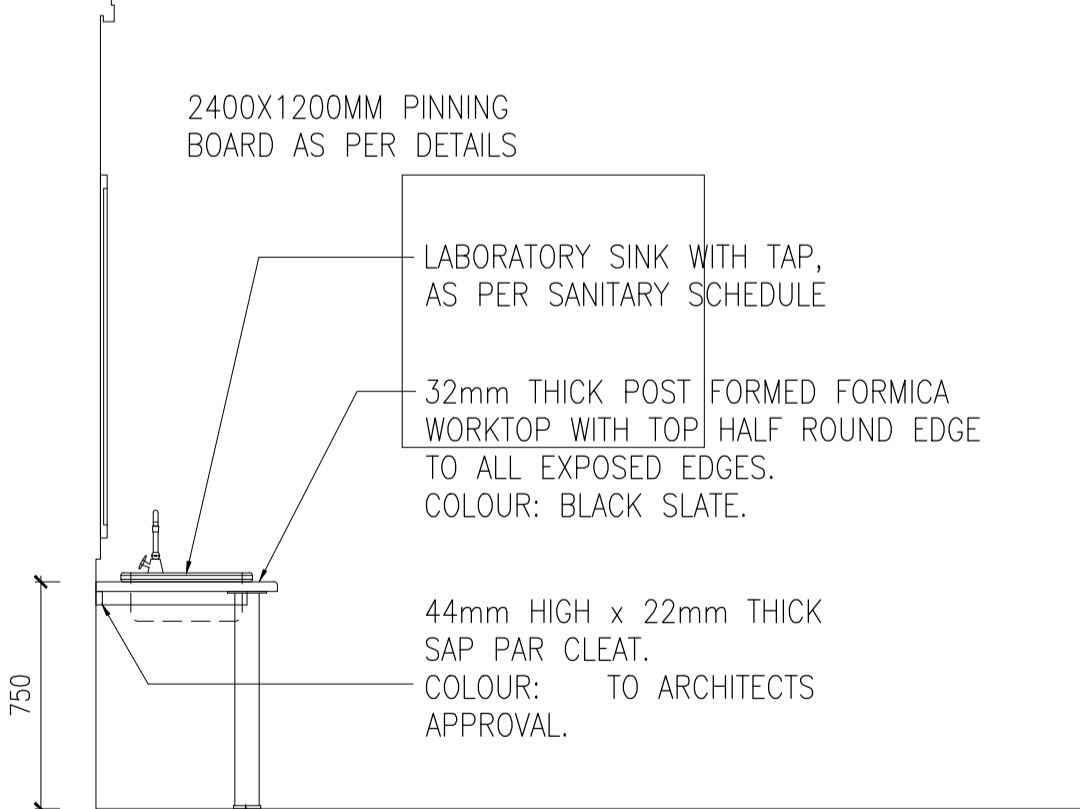


ELEVATION 1

80mmØ ROUND STEEL LEG WITH FLAT TOP FIXING PLATE. COLOUR: POWDER COATED MATT BLACK.

32mm THICK POST FORMED FORMICA WORKTOP WITH TOP HALF ROUND EDGE TO ALL EXPOSED EDGES. COLOUR: BLACK SLATE.

44 X 22mm THICK SAP PAR CLEATS TO SUPPORT FORMICA WORKTOP TO BE SCREWED TO WALLS AT MAXIMUM 450mm CENTRES. CLEATS TO BE VARNISHED.



ELEVATION 2

2400X1200MM PINNING BOARD AS PER DETAILS

LABORATORY SINK WITH TAP, AS PER SANITARY SCHEDULE

32mm THICK POST FORMED FORMICA WORKTOP WITH TOP HALF ROUND EDGE TO ALL EXPOSED EDGES. COLOUR: BLACK SLATE.

44mm HIGH x 22mm THICK SAP PAR CLEAT. COLOUR: TO ARCHITECTS APPROVAL.

80mmØ ROUND STEEL LEG WITH FLAT TOP FIXING PLATE. COLOUR: POWDER COATED MATT BLACK.

BLOCK 4 - MULTI-PURPOSE CLASSROOM JOINERY DETAILS

Scale 1:25

MUNICIPAL STAMP

CONSTRUCTION NOTES

ALL WORK TO BE CARRIED OUT STRICTLY IN ACCORDANCE WITH MUNICIPAL AND/OR LOCAL AUTHORITY REGULATIONS. DO NOT SCALE THIS DRAWING. FIGURED DIMENSIONS TO BE TAKEN IN PREFERENCE TO SCALING DRAWING. ALL RELEVANT DETAIL LEVELS AND DIMENSIONS TO BE CHECKED ON SITE PRIOR TO COMMENCEMENT OF WORK. ANY DISCREPANCIES TO BE BROUGHT TO THE ATTENTION OF THE ARCHITECT.

GENERAL NOTES

TRADE NAMES WHERE TRADE NAMES ARE SPECIFIED ON DRAWINGS, THE CONTRACTOR IS RESPONSIBLE TO SOURCE MATERIALS THAT ARE EQUAL OR OTHERWISE APPROVED BY THE DEPARTMENT OF ROADS AND PUBLIC WORKS.

REV	DATE	DESCRIPTION
1	22.08.2023	FOR CLIENT APPROVAL

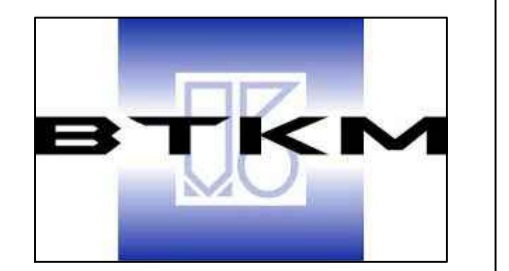
PROJECT TITLE: EASTERN CAPE SCHOOL BUILDING PROGRAMME

PROJECT LOCATION: MTHINGWEVU SS SCHOOL

DRAWING CLASSIFICATION: JOINERY DETAILS MULTI-PURPOSE CLASSROOM BLOCK 2

CLIENT: Province of the EASTERN CAPE EDUCATION

IMPLEMENTING AGENTS

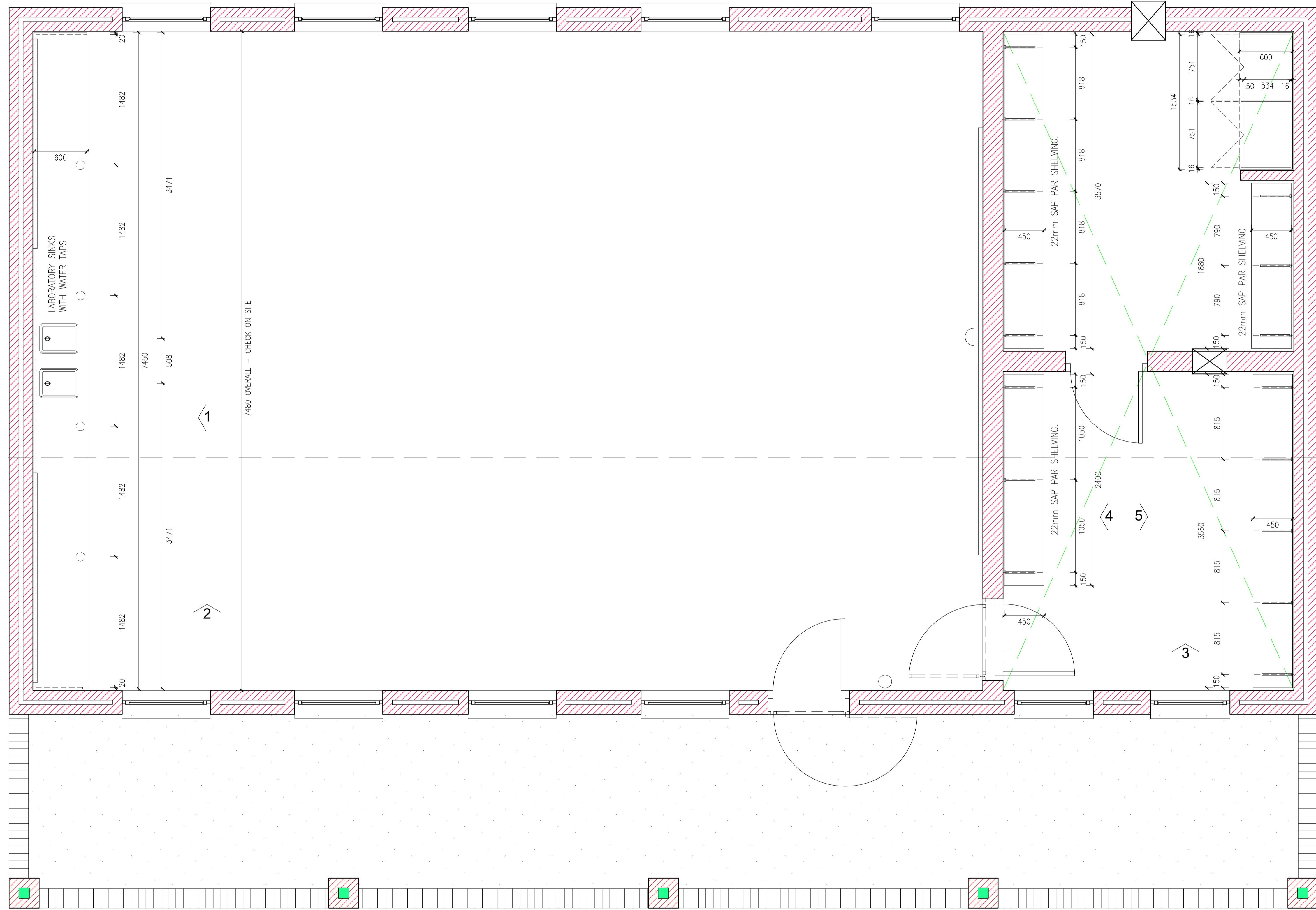


PROJECT NUMBER: 1920

DRAWING NUMBER: 1920 - AR - DES - 135

DATE: AUG '23

SCALE: REV 1, TO BE SHOWN



**BLOCK 4 - MULTI-PURPOSE CLASSROOMS
JOINERY DETAILS**
Scale 1:25

MUNICIPAL STAMP

CONSTRUCTION NOTES

ALL WORK TO BE CARRIED OUT STRICTLY IN ACCORDANCE WITH MUNICIPAL AND/OR LOCAL AUTHORITY REGULATIONS.
DO NOT SCALE THIS DRAWING.
DIMENSIONS TO BE TAKEN IN PREFERENCE TO SCALING DRAWING.
ALL RELEVANT DETAILS, LEVELS, AND DIMENSIONS TO BE CHECKED ON SITE PRIOR TO COMMENCEMENT OF WORK.
ANY DISCREPANCIES TO BE BROUGHT TO THE ATTENTION OF THE ARCHITECT.

GENERAL NOTES

TRADE NAMES
WHERE TRADE NAMES ARE SPECIFIED ON DRAWINGS, THE CONTRACTOR IS RESPONSIBLE TO SOURCE MATERIALS THAT ARE EQUAL OR OTHERWISE APPROVED BY THE DEPARTMENT OF ROADS AND PUBLIC WORKS.

REV	DATE	DESCRIPTION
1	22.08.2023	FOR CLIENT APPROVAL

PROJECT TITLE
EASTERN CAPE SCHOOL BUILDING PROGRAMME

PROJECT LOCATION
MTHINGWEVU SS SCHOOL

DRAWING DESCRIPTION
JOINERY DETAILS
MULTI-PURPOSE CLASSROOM
BLOCK 4

CLIENT
Province of the
EASTERN CAPE
EDUCATION



PROJECT NUMBER
1920

DRAWING NUMBER
1920 - AR - DES - 134

DATE
AUG '23

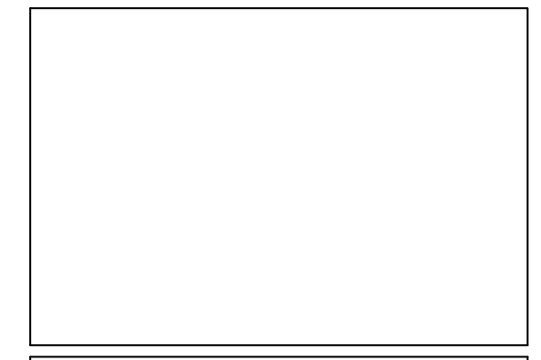
SCALE
SHOWN

LOOSE FURNITURE - REFER TO SCHEDULE ATTACHED

No.	ITEM - MULTI-PURPOSE CLASSROOM
1	FC9 - TEACHER'S CHAIR
1	FD2 - TEACHER'S CLASSROOM DESK
40	FC1 - STACKABLE CHAIRS
20	FB5 - DOUBLE STACKABLE TABLES

ROOM NAME	AREA
MULTI-PURPOSE CL.	80.6m ²
EQUIPMENT STORE	12.0m ²
STORE	12.0m ²
GROSS FLOOR AREA	119.1m ²
VERANDAH	32.7m ²
TOTAL OVERALL	151.8m ²

MUNICIPAL STAMP

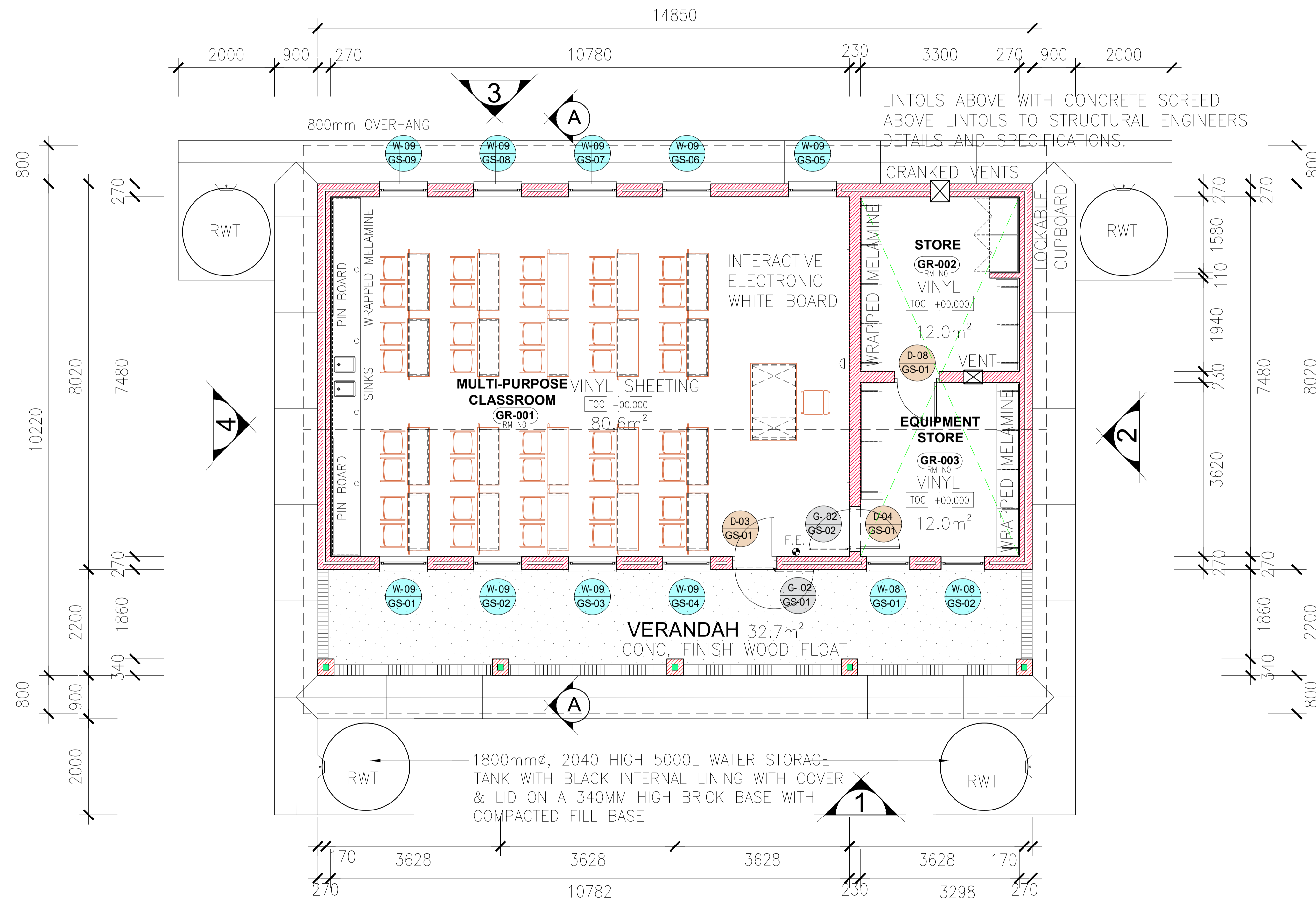


CONSTRUCTION NOTES

ALL WORK TO BE CARRIED OUT STRICTLY IN ACCORDANCE WITH MUNICIPAL AND/OR LOCAL AUTHORITY REGULATIONS. DO NOT SCALE THIS DRAWING. FIGURED DIMENSIONS TO BE TAKEN IN PREFERENCE TO SCALING DRAWING. ALL RELEVANT DETAIL LEVELS AND DIMENSIONS TO BE CHECKED ON SITE PRIOR TO COMMENCEMENT OF WORK. ANY DISCREPANCIES TO BE BROUGHT TO THE ATTENTION OF THE ARCHITECT.

GENERAL NOTES

TRADE NAMES WHERE TRADE NAMES ARE SPECIFIED ON DRAWINGS, THE CONTRACTOR IS RESPONSIBLE TO SOURCE MATERIALS THAT ARE EQUAL OR OTHERWISE APPROVED BY THE DEPARTMENT OF ROADS AND PUBLIC WORKS.



PLAN - MULTI-PURPOSE CLASSROOM
scale 1:50

REV	DATE	DESCRIPTION
1	22.08.2023	FOR CLIENT APPROVAL

PROJECT TITLE: EASTERN CAPE SCHOOL BUILDING PROGRAMME

PROJECT LOCATION: MTHINGWEVU SS SCHOOL

DRAWING DESCRIPTION: FLOOR PLAN MULTI-PURPOSE BLOCK

CLIENT



IMPLEMENTING AGENTS

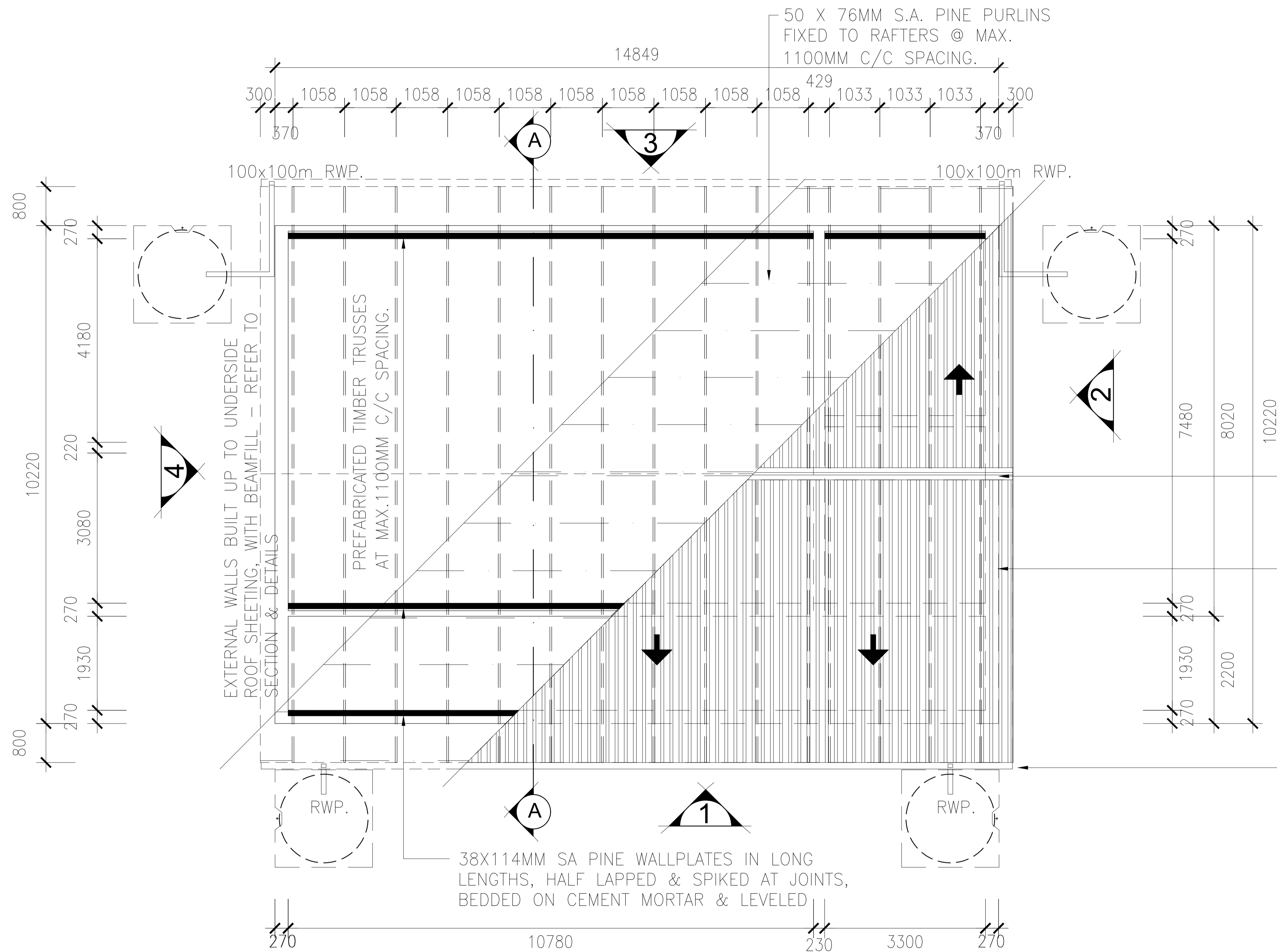


PROJECT NO: 1920

DRAWING NO: 1920 - AR - DES - 130

DATE: AUG '23

SCALE: 1:50



ROOF PLAN - MULTI-PURPOSE CLASSROOM
scale 1:50

ROOF NOTES:
ROOF CONSTRUCTION TO BE DONE BY SPECIALIST AS PER TRUSS DESIGNER'S SPECIFICATION.

1800mm ϕ , 2040 HIGH 5000L WATER STORAGE TANK WITH BLACK INTERNAL LINING WITH COVER & LID ON A 340MM HIGH BRICK BASE WITH COMPACTED FILL BASE

PREFABRICATED TIMBER TRUSSES AT MAX. 1100MM C/C SPACING ON 38X114MM WALLPLATES IN LONG LENGTHS, HALF LAPPED & SPIKED AT JOINTS, BEDDED ON CEMENT MORTAR & LEVELED BEFORE TIEING DOWN TO WALLS. TIE DOWN METHOD TO BE AS PER ENGINEER'S SPECIFICATIONS AND DETAILS.

FACTORY PAINTED GSM RIDGE & HIP FLASHING AS PER DETAILS, TO SUIT & MATCH ROOF SHEETING PROFILE.

0.8MM COLOMATE FINISHED GALVANIZED METAL IBR PROFILE ROOF SHEETING @ 17,5° ON INSULATION ON 76x50mm S.A PINE PURLINS @ 1050mm C/Cs PREFABRICATED TIMBER TRUSSES TO ENG'S DETAIL AND SPEC.

150X125X150MM BOX GALVANIZED STEEL GUTTER WITH BRACKETS FIXED ACCORDING TO MANUFACTURERS SPECIFICATION.

MUNICIPAL STAMP

CONSTRUCTION NOTES
ALL WORK TO BE CARRIED OUT STRICTLY IN ACCORDANCE WITH MUNICIPAL AND/OR LOCAL AUTHORITY REGULATIONS. DO NOT SCALE THIS DRAWING. FIGURED DIMENSIONS TO BE TAKEN IN PREFERENCE TO SCALING DRAWING. ALL RELEVANT DETAIL LEVELS AND DIMENSIONS TO BE CHECKED ON SITE PRIOR TO COMMENCEMENT OF WORK. ANY DISCREPANCIES TO BE BROUGHT TO THE ATTENTION OF THE ARCHITECT.

GENERAL NOTES
TRADE NAMES
WHERE TRADE NAMES ARE SPECIFIED ON DRAWINGS, THE CONTRACTOR IS RESPONSIBLE TO SOURCE MATERIALS THAT ARE EQUAL OR OTHERWISE APPROVED BY THE DEPARTMENT OF ROADS AND PUBLIC WORKS.

REV	DATE	DESCRIPTION
1	05.06.2016	FOR CLIENT APPROVAL
2	14.07.2016	SCIENCE LAB LAYOUT REVISED

PROJECT TITLE
EASTERN CAPE SCHOOL BUILDING PROGRAMME

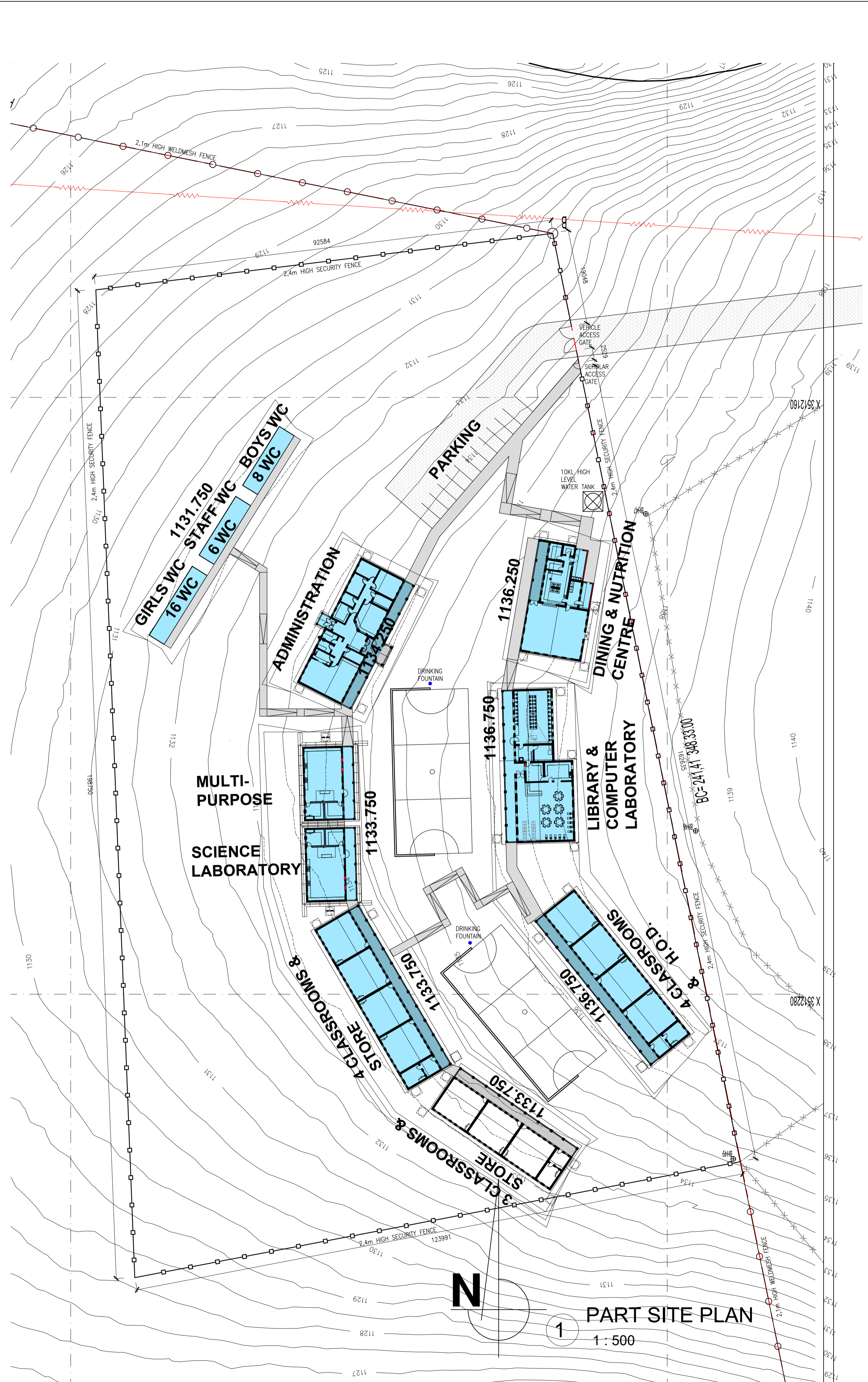
PROJECT LOCATION
MTHINGWEVU SS SCHOOL

DRAWING CLASSIFICATION
ROOF PLAN
MULTI-PURPOSE BLOCK

CLIENT
Province of the EASTERN CAPE EDUCATION



PROJECT NUMBER 1920	DATE AUG '23	SCALE 1:50	REVISION REV 1
------------------------	-----------------	---------------	-------------------



AERIAL VIEW

NOTE:
 ALLOW FOR GEO-HYDROLOGICAL INVESTIGATION AND BOREHOLE WITH WIND DRIVEN PUMP FENCED WITH CLASS A FENCING AROUND WIND DRIVEN PUMP AND BOREHOLE. RETICULATION FROM BOREHOLE TO HIGH LEVEL WATER TANK, WATER PUMP, WATER FILTERS AND RETICULATION TO DRINKING FOUNTAINS

MTHINGWEVU SSS(E=446)MEDIUM
 Enrolment 446

Build 10 new classrooms, Admin Block and two HOD offices, Nutrition Centre, Computer room, Multipurpose classroom, Science Laboratory and 15 toilets, including associated siteworks, including

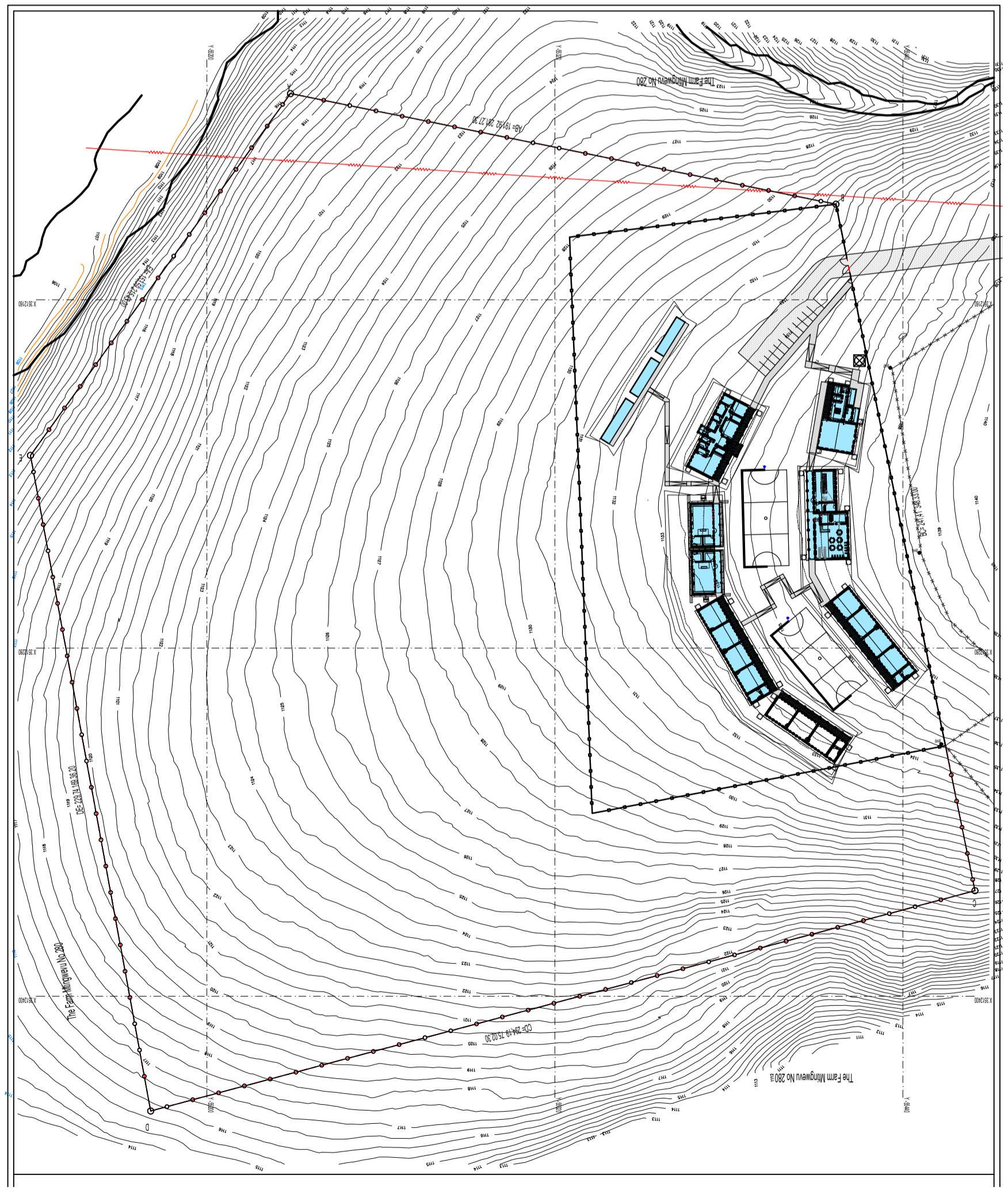
Renovate Existing Structures
 Demolish Dilapidated Structures
 New Classrooms 60 square meter classrooms.
 Administration Block **Medium Admin (upto 680 learners)**
 Principal Office x 1
 Deputy Principal Offices x 1
 Admin Office
 Reception Area
 Strong Room
 Staff Room
 1 x Sick Rooms
 1 x Staff Kitchentte
 2 x HOD Offices
 1 x Printing Room

Dining and Nutrition Center 2 x HODs attached to classroom blocks
 Medium DNC With Eating Area, scullery, refuse yard,kitchen, day store,dry store, veg store, veranda, goods arrival and gas storage

Computer Room 1 required
 Multipurpose Classroom 1 required
 Science Laboratory 1 required
 Library 1 required

	Toilets	Basins	Urinals
Girls	8	6	
Boys	4	3	4
Disabled	1	1	
Female Staff	2	1	
Male Staff	1	1	1
Total Toilets Required	16	12	5

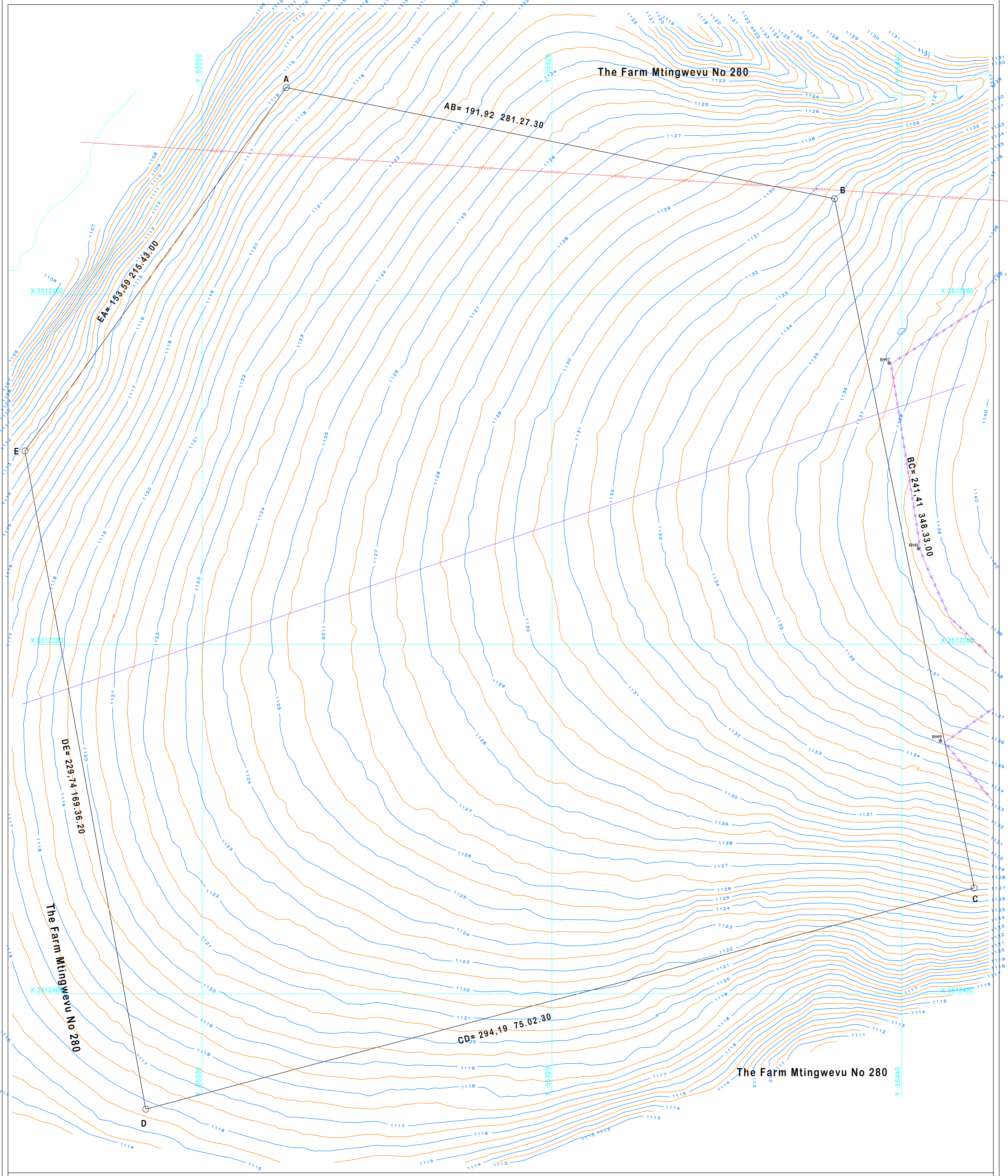
Parking
 Elevated Water Tank
 Borehole Fixing
 Electricity
 Fencing High Security
 Medium Security
 Low Security



2 SITE PLAN
 1: 1500

REV	DATE	DESCRIPTION
01		

SCHOOL: MTHINGWEVU SSS
 REF: PSU - 1920
 DESCRIPTION: SITE DEVELOPMENT PLAN
 CLIENT: Province of the EASTERN CAPE EDUCATION
 IMPLEMENTING AGENT: BTKM
 PROJECT NO: PSU - 1920
 DATE: OCT 2022
 SCALE: 1:500



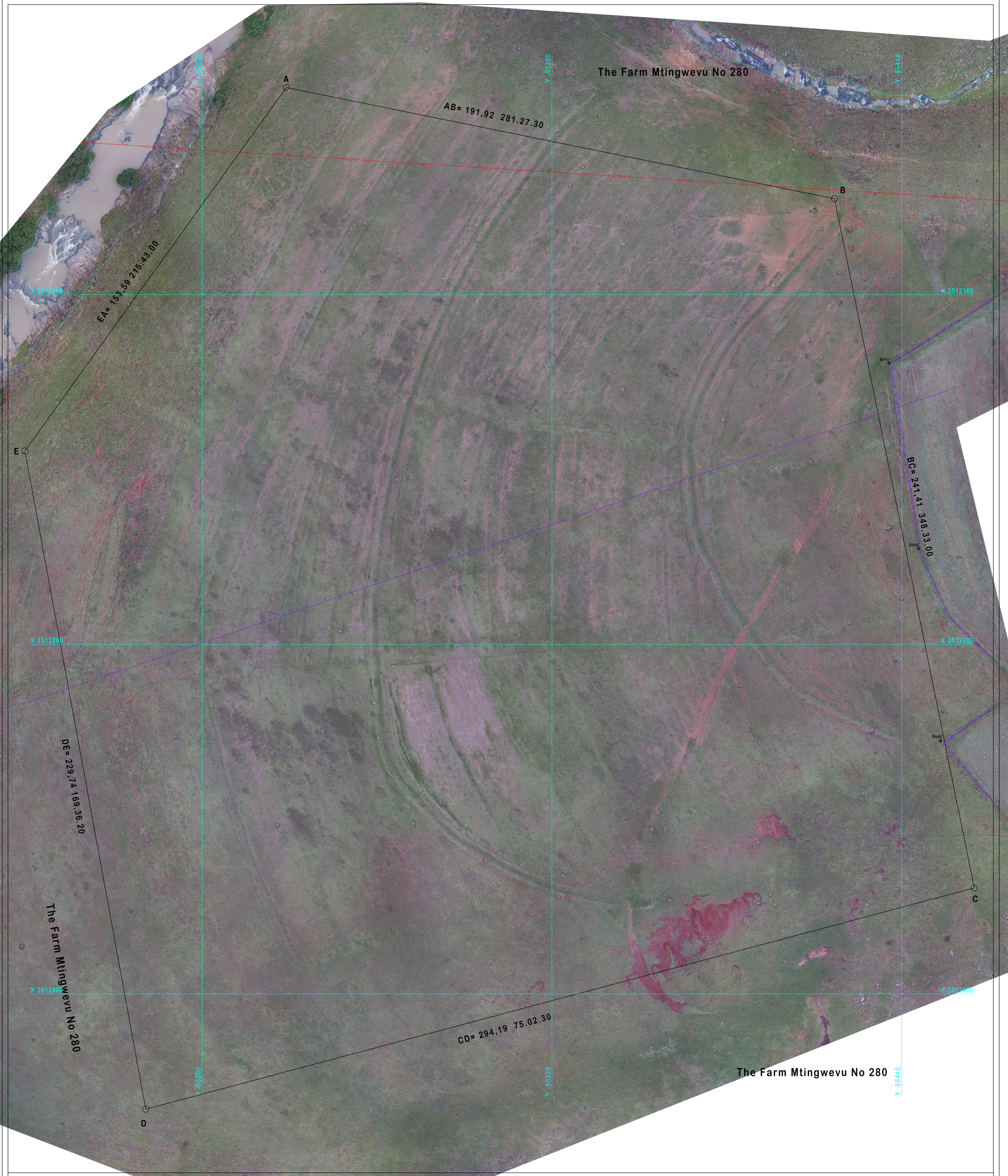
Designation	Mtingwevu Senior Secondary School
SG Diagram No	Unsurveyed
Extent	N/A
Township Name	8,2055 hectares
Municipality	Hala
District	Intsika Yethu
Province	Cofimvaba
EMIS No	Eastern Cape
Scale & Paper size	A1 @ 1/600
File No	8944
Date of Survey	31st January 2023
Prof Land Surveyor	Ivan Hansen (GPr LS 0247)

Legend	
Anchor	Fence
Building	Gate
Electricity box	Goal posts
Electricity pole	Road
Rodding Eye	Slab
Sewer pipe from building	Tar roads
Sewer manhole	Wall
Tap	160mm sewer pipe
Telephone booth	Channel
Tankstand JoJo Tank	Electricity line

Benchmarks: WG 27°
12mm pegs:
BH46 -55445.72 3512247.17 1138.79
BH47 -55435.69 3512183.43 1137.20
BH49 -55453.28 3512313.12 1135.13
Hansen Land Surveyors Prof Land Surveyors P O Box 2052 13 Batchelor Street Komani, 5322 Tel 045 8382 052 email: admin@hansens.co.za email: charlie@hansens.co.za

TCN Architects
6 Smartt Street,
P O Box 863,
East London
Tel: 043 735 4694
Fax: 043 735 4684
jason@tcnarch.co.za

Site Coordinates: -31°43'54"S 27°35'00"E



Designation	Mtingwevu Senior Secondary School
SG Diagram No	Unsurveyed
Extent	N/A
Township Name	8,2055 hectares
Municipality	Hala
District	Intsika Yethu
Province	Cofimvaba
EMIS No	Eastern Cape
Scale & Paper size	A1 @ 1/600
File No	8944
Date of Survey	31st January 2023
Prof Land Surveyor	Ivan Hansen (GPr LS 0247)

Legend	
Anchor	Fence
Building	Gate
Electricity box	Goal posts
Electricity pole	Road
Rodding Eye	Slab
Sewer pipe from building	Tar roads
Sewer manhole	Wall
Tap	160mm sewer pipe
Telephone booth	Channel
Tankstand JoJo Tank	Electricity line

Benchmarks: WG 27°
12mm pegs:
BH46 -55445.72 3512247.17 1138.79
BH47 -55435.69 3512183.43 1137.20
BH49 -55453.28 3512313.12 1135.13
Hansen Land Surveyors Prof Land Surveyors P O Box 2052 13 Batchelor Street Komani, 5322 Tel 045 8382 052 email: admin@hansens.co.za email: charlie@hansens.co.za

TCN Architects
6 Smartt Street,
P O Box 863,
East London
Tel: 043 735 4694
Fax: 043 735 4684
jason@tcnarch.co.za

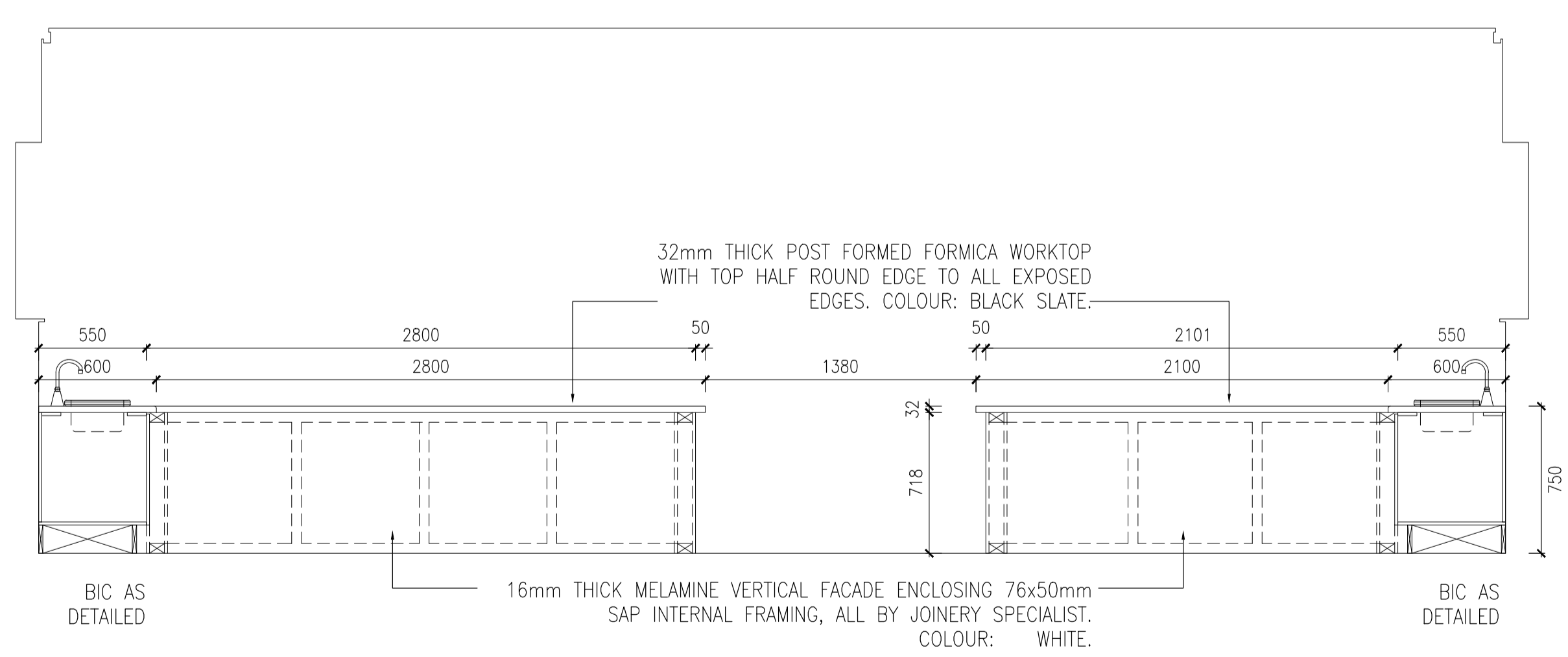
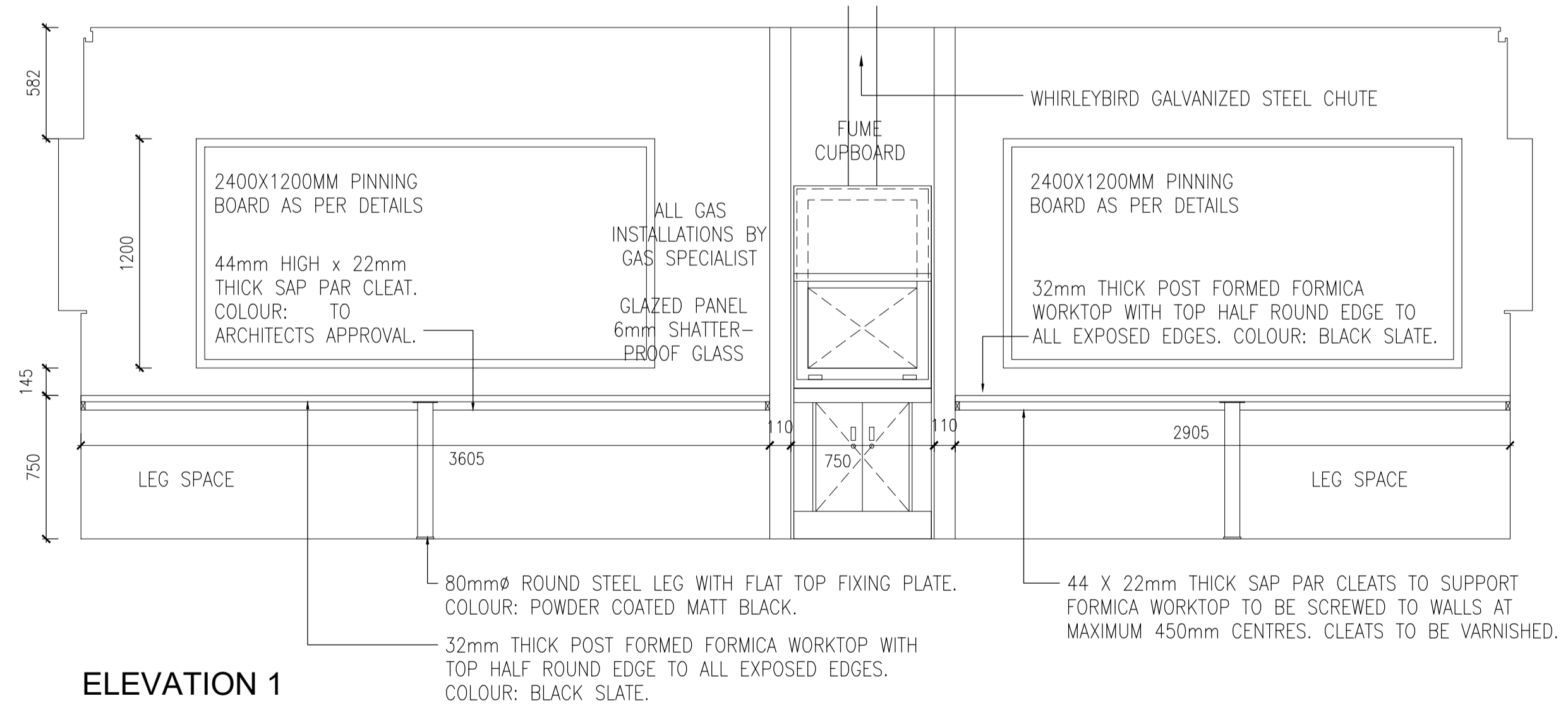
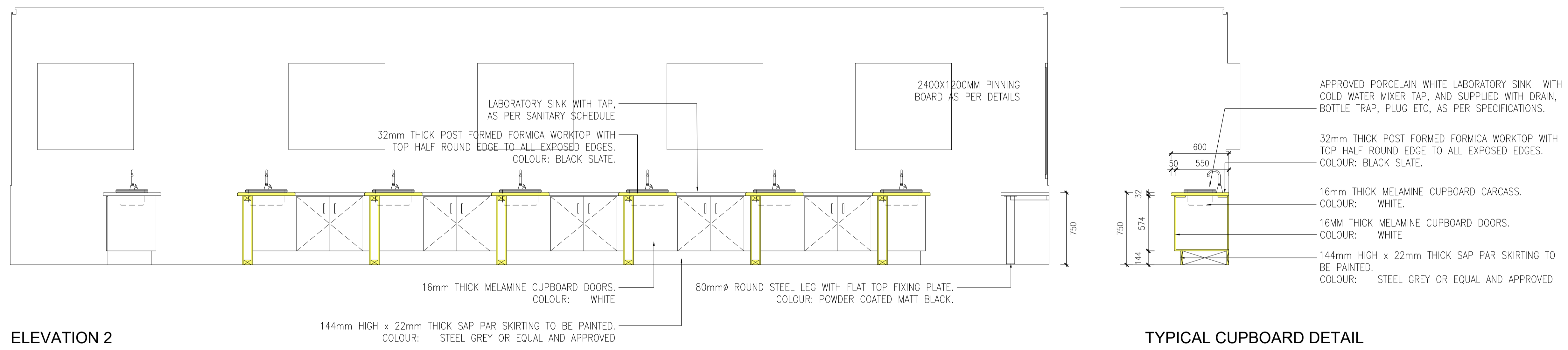
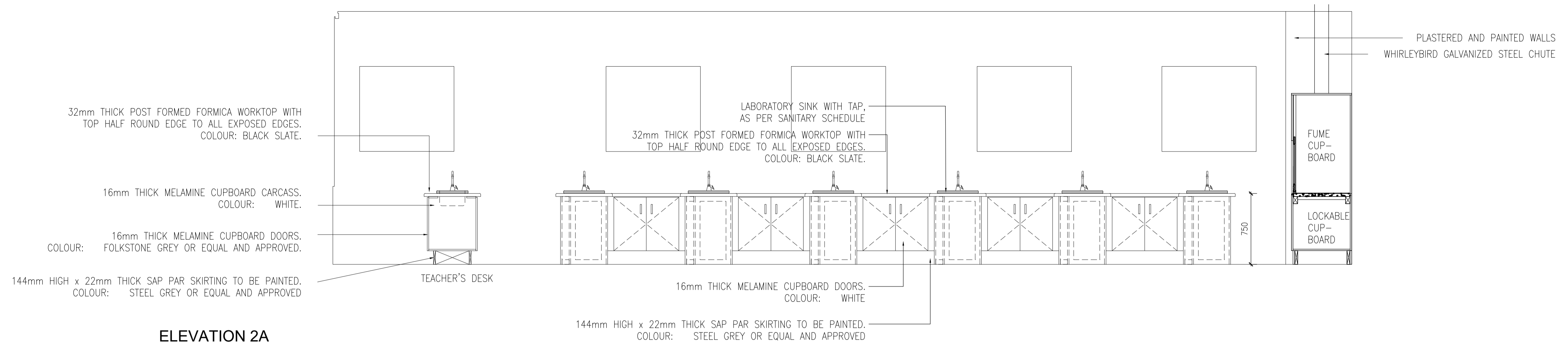
TCN

Architects

HANSEN

LAND SURVEYORS INC

Site Coordinates: -31°43'54"S 27°35'00"E



SCIENCE LABORATORY JOINERY DETAILS
Scale 1:25

MUNICIPAL STAMP

CONSTRUCTION NOTES

ALL WORK TO BE CARRIED OUT STRICTLY IN ACCORDANCE WITH MUNICIPAL AND/OR LOCAL AUTHORITY REGULATIONS. DO NOT SCALE THIS DRAWING. FIGURED DIMENSIONS TO BE TAKEN IN PREFERENCE TO SCALING DRAWING. ALL RELEVANT DETAIL LEVELS AND DIMENSIONS TO BE CHECKED ON SITE PRIOR TO COMMENCEMENT OF WORK. ANY DISCREPANCIES TO BE BROUGHT TO THE ATTENTION OF THE ARCHITECT.

GENERAL NOTES

TRADE NAMES WHERE TRADE NAMES ARE SPECIFIED ON DRAWINGS, THE CONTRACTOR IS RESPONSIBLE TO SOURCE MATERIALS THAT ARE EQUAL OR OTHERWISE APPROVED BY THE DEPARTMENT OF ROADS AND PUBLIC WORKS.

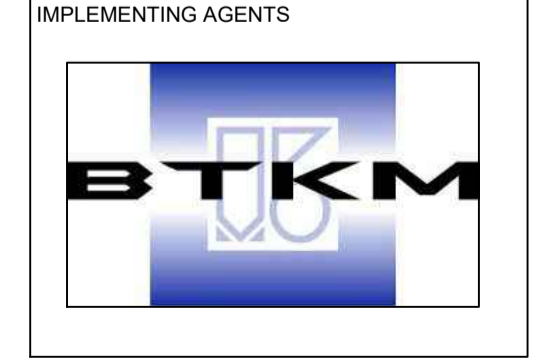
REV	DATE	DESCRIPTION
1	22.08.2023	ADD JOINERY DETAILS

PROJECT TITLE: EASTERN CAPE SCHOOL BUILDING PROGRAMME

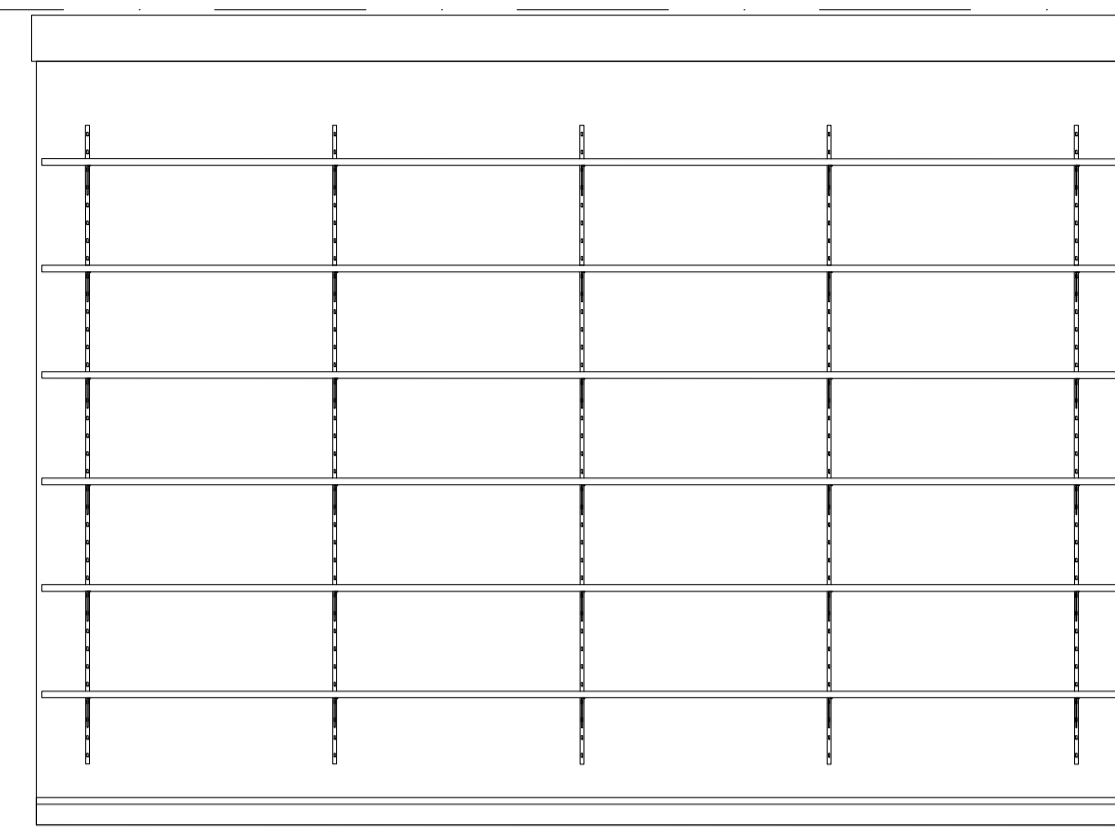
PROJECT LOCATION: MTHINGWEVU SS SCHOOL

DISCIPLINE: JOINERY DETAILS, SCIENCE LAB.

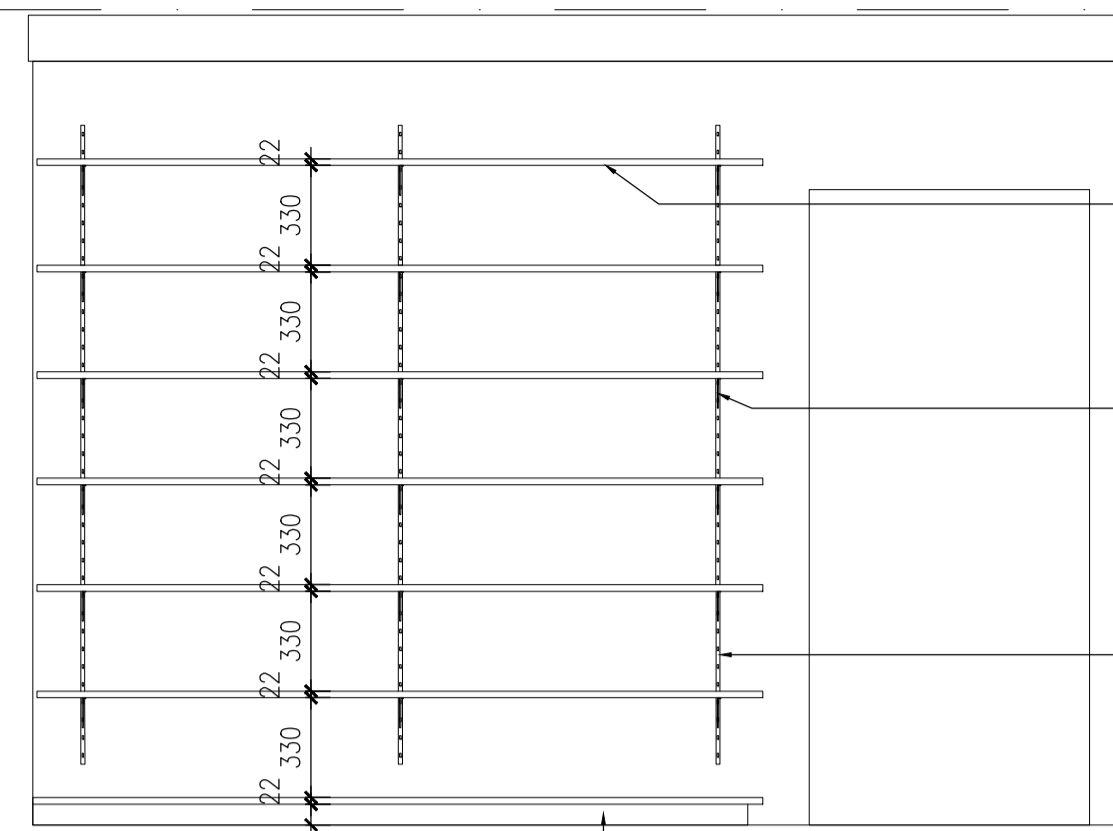
CLIENT: Province of the EASTERN CAPE EDUCATION



PROJECT NUMBER: 1920	REVISION: REV 1
DRAWING NUMBER: 1920 - AR - DES - 184	DATE: AUG '23
SCALE: 1:100	



STORE ROOM WALLS 15mm PLASTERED AND PAINTED FULL HEIGHT TO ACCOMMODATE STEEL BRACKETS, TO ARCHITECTS APPROVAL



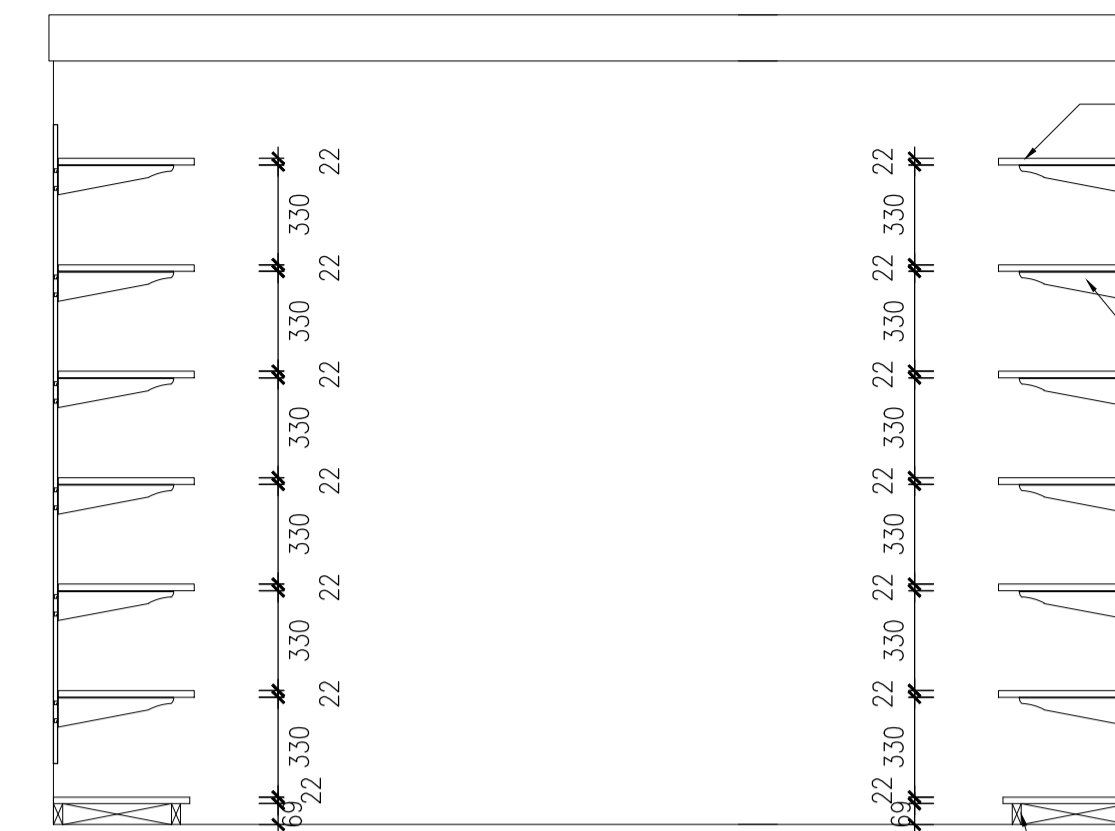
22mm SAP PAR SHELVING. TO BE FINISHED WITH No.2 COATS OF CLEAR VARNISH.

SLOPING STEEL BRACKET. COLOUR - WHITE; SIZE - 381MM OR EQUALLY APPROVED.

ADJUSTABLE STEEL SHELF BRACKET HANGER STEEL BAR SCREWED AGAINST WALL TO MANUFACTURERS INSTRUCTIONS OR SPECIFICATIONS.

69mm HIGH x 22mm THICK SAP PAR SKIRTING TO BE PAINTED. COLOUR: STEEL GREY OR EQUAL AND APPROVED

ELEVATION 4



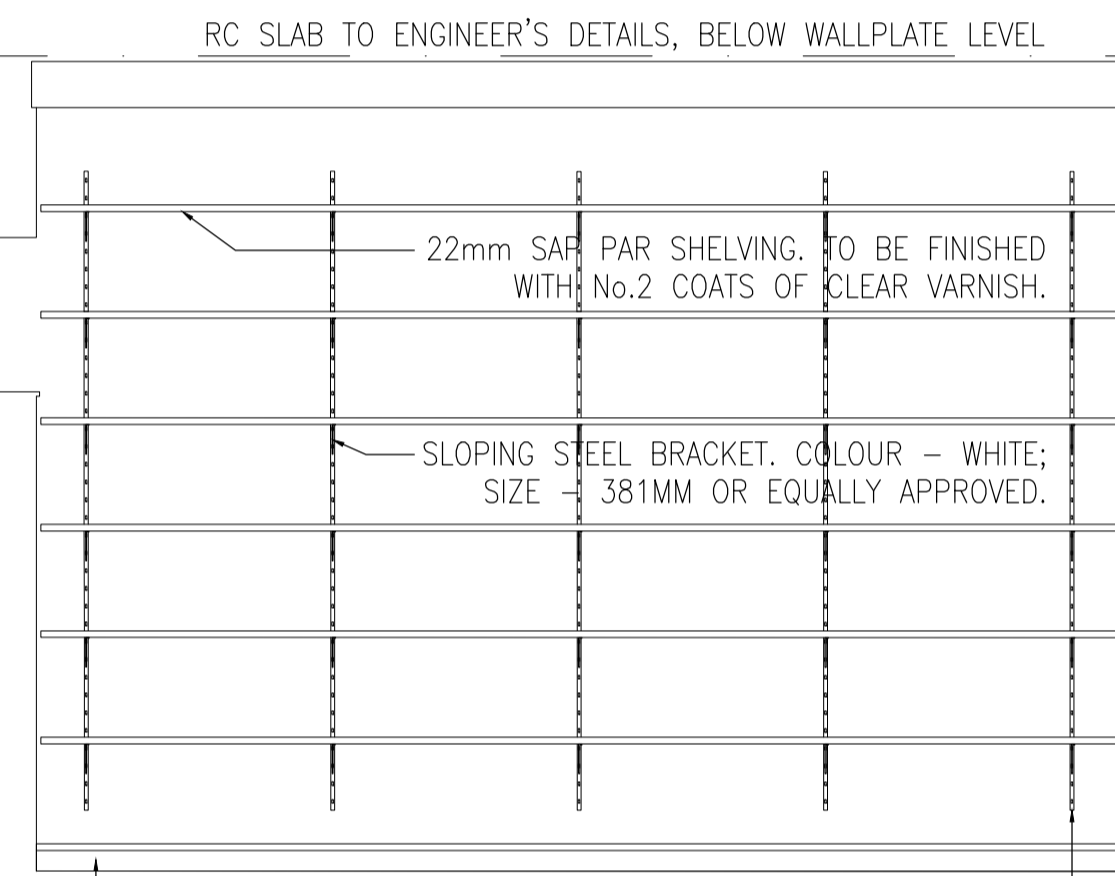
22mm SAP PAR SHELVING. TO BE FINISHED WITH No.2 COATS OF CLEAR VARNISH.

SLOPING STEEL BRACKET COLOUR - WHITE; SIZE - 381MM OR EQUALLY APPROVED BY MANUFACTURER.

ADJUSTABLE STEEL SHELF BRACKET HUNGER STEEL BAR SCREWED AGAINST WALL TO MANUFACTURERS INSTRUCTIONS OR SPECIFICATIONS.

69mm HIGH x 22mm THICK SAP PAR SKIRTING TO BE PAINTED. COLOUR: STEEL GREY OR EQUAL AND APPROVED

ELEVATION 6



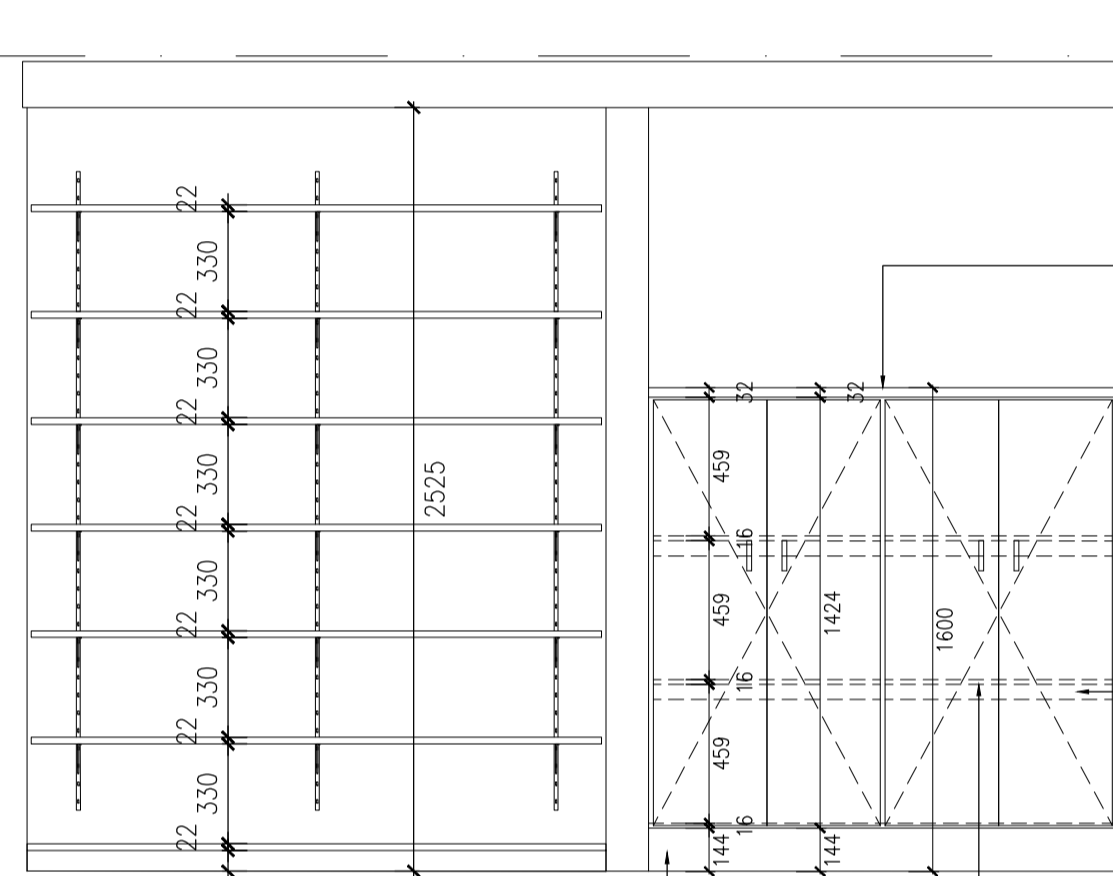
RC SLAB TO ENGINEER'S DETAILS, BELOW WALLPLATE LEVEL

22mm SAP PAR SHELVING. TO BE FINISHED WITH No.2 COATS OF CLEAR VARNISH.

SLOPING STEEL BRACKET. COLOUR - WHITE; SIZE - 381MM OR EQUALLY APPROVED.

ADJUSTABLE STEEL SHELF BRACKET HANGER STEEL BAR SCREWED AGAINST WALL TO MANUFACTURERS INSTRUCTIONS OR SPECIFICATIONS.

69mm HIGH x 22mm THICK SAP PAR SKIRTING TO BE PAINTED. COLOUR: STEEL GREY OR EQUAL AND APPROVED



32mm THICK POST FORMED FORMICA WORKTOP WITH TOP HALF ROUND EDGE TO ALL EXPOSED EDGES. COLOUR: TO ARCHITECTS APPROVAL.

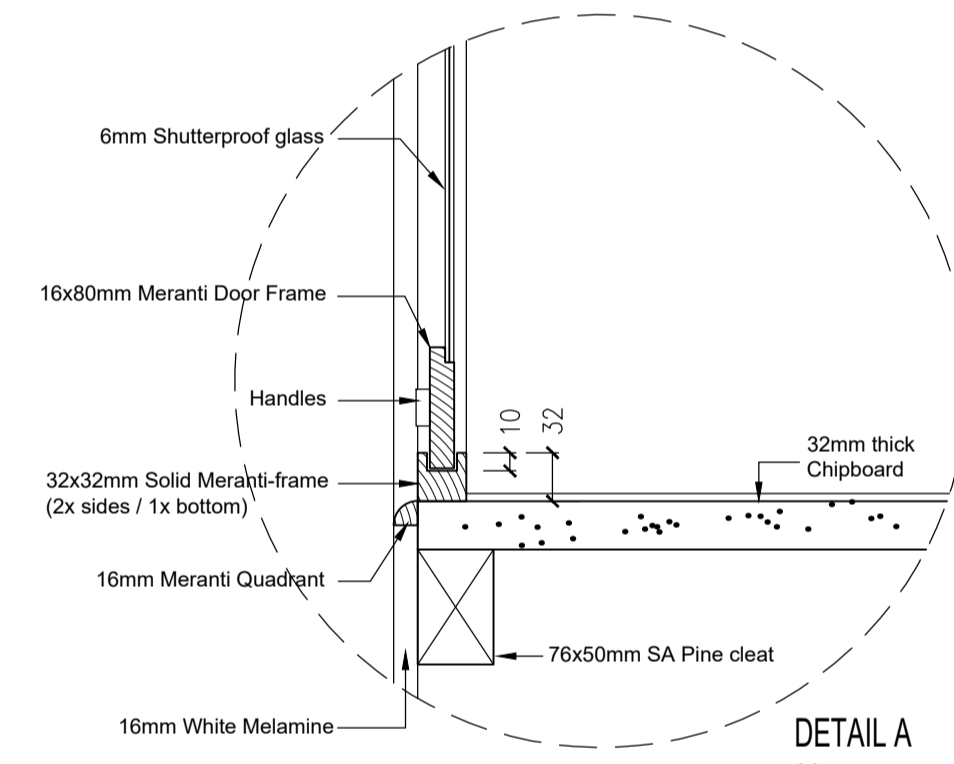
16mm THICK MELAMINE CPBRD DOORS. COLOUR: FOLKSTONE GREY OR EQUAL AND APPROVED.

44mm HIGH x 22mm THICK SAP PAR CLEAT. COLOUR: TO ARCHITECTS APPROVAL.

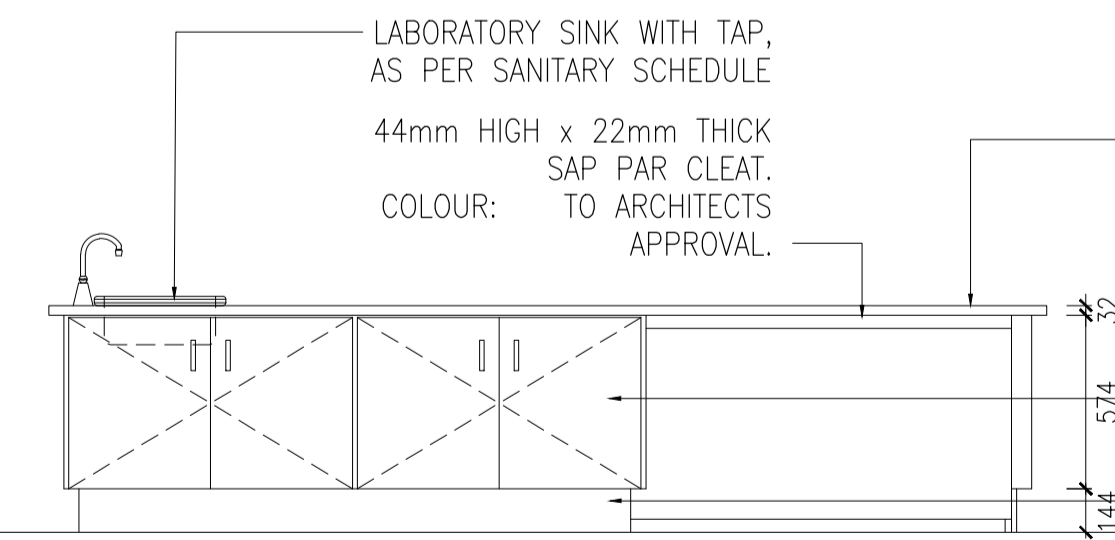
16mm THICK MELAMINE CARCASES, MIDDLE AND BOTTOM SHELF. COLOUR: TO ARCHITECTS APPROVAL.

144mm HIGH x 22mm THICK SAP PAR SKIRTING TO BE PAINTED. COLOUR: STEEL GREY OR EQUAL AND APPROVED

ELEVATION 5



DETAIL A SCALE 1:10



LABORATORY SINK WITH TAP, AS PER SANITARY SCHEDULE
44mm HIGH x 22mm THICK SAP PAR CLEAT. COLOUR: TO ARCHITECTS APPROVAL.

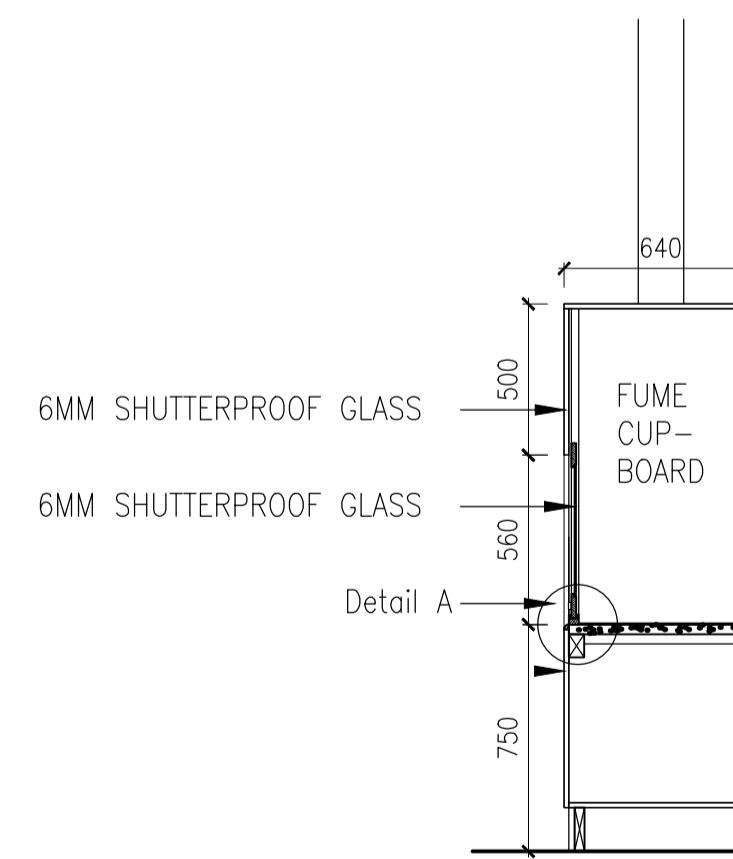
32mm THICK POST FORMED FORMICA WORKTOP WITH TOP HALF ROUND EDGE TO ALL EXPOSED EDGES. COLOUR: BLACK SLATE.

16mm THICK MELAMINE CUPBOARD CARCASS. COLOUR: WHITE.

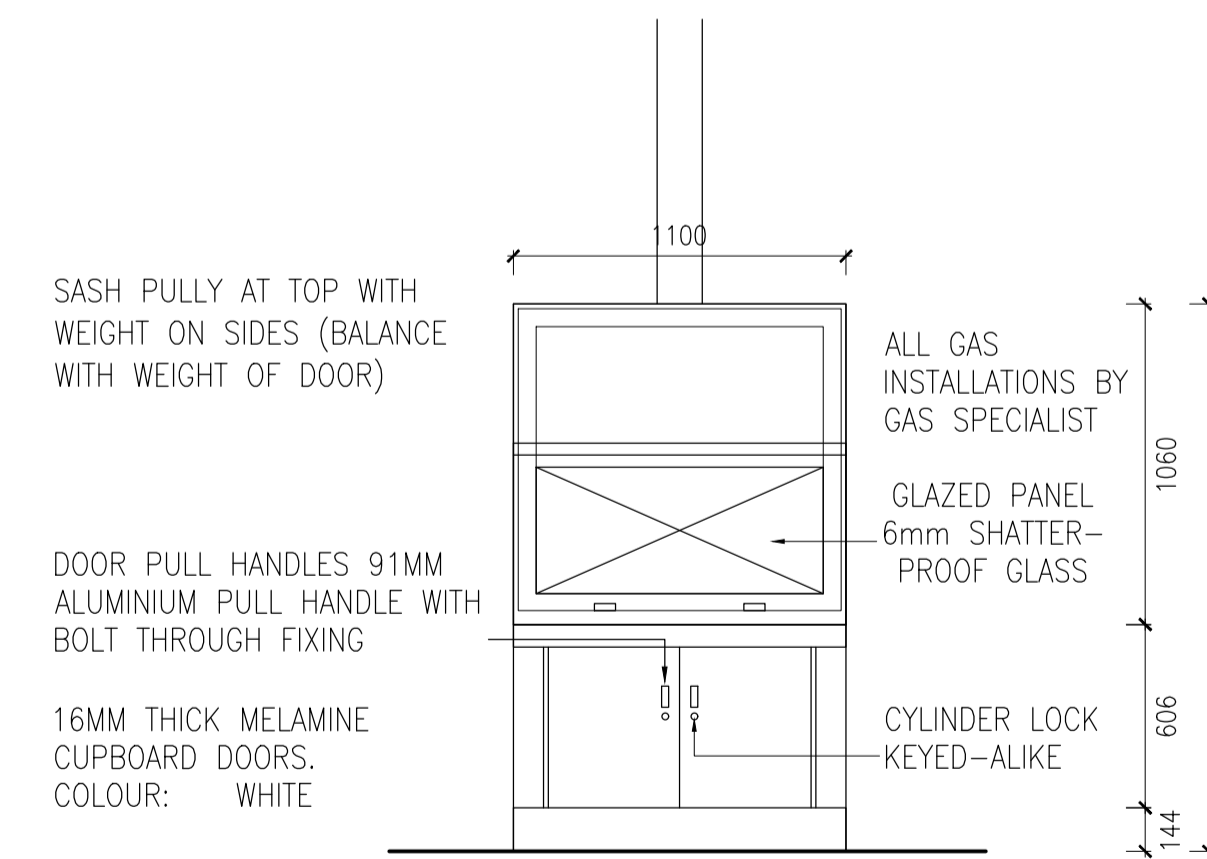
16mm THICK MELAMINE CUPBOARD DOORS. COLOUR: WHITE

144mm HIGH x 22mm THICK SAP PAR SKIRTING TO BE PAINTED. COLOUR: STEEL GREY OR EQUAL AND APPROVED

ELEVATION 3



FUME CUPBOARD SECTION SCALE 1:25



SASH PULLY AT TOP WITH WEIGHT ON SIDES (BALANCE WITH WEIGHT OF DOOR)

DOOR PULL HANDLES 91MM ALUMINIUM PULL HANDLE WITH BOLT THROUGH FIXING

16MM THICK MELAMINE CUPBOARD DOORS. COLOUR: WHITE

144mm HIGH x 22mm THICK SAP PAR SKIRTING TO BE PAINTED. COLOUR: STEEL GREY OR EQUAL AND APPROVED

FUME CUPBOARD ELEVATION SCALE 1:25

MUNICIPAL STAMP

CONSTRUCTION NOTES
ALL WORK TO BE CARRIED OUT STRICTLY IN ACCORDANCE WITH MUNICIPAL AND/OR LOCAL AUTHORITY REGULATIONS. DO NOT SCALE THIS DRAWING. FIGURED DIMENSIONS TO BE TAKEN IN PREFERENCE TO SCALING DRAWING. ALL RELEVANT DETAIL LEVELS AND DIMENSIONS TO BE CHECKED ON SITE PRIOR TO COMMENCEMENT OF WORK. ANY DISCREPANCIES TO BE BROUGHT TO THE ATTENTION OF THE ARCHITECT.

GENERAL NOTES
TRADE NAMES
WHERE TRADE NAMES ARE SPECIFIED ON DRAWINGS, THE CONTRACTOR IS RESPONSIBLE TO SOURCE MATERIALS THAT ARE EQUAL OR OTHERWISE APPROVED BY THE DEPARTMENT OF ROADS AND PUBLIC WORKS.

REV	DATE	DESCRIPTION
1	22.08.2023	ADD JOINERY DETAILS

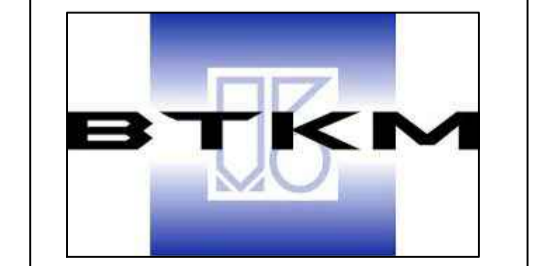
PROJECT TITLE
EASTERN CAPE SCHOOL BUILDING PROGRAMME

PROJECT LOCATION
MTHINGWEVU SS SCHOOL

DRAWING CLASSIFICATION
JOINERY DETAILS, SCIENCE LAB.

CLIENT
Province of the EASTERN CAPE EDUCATION

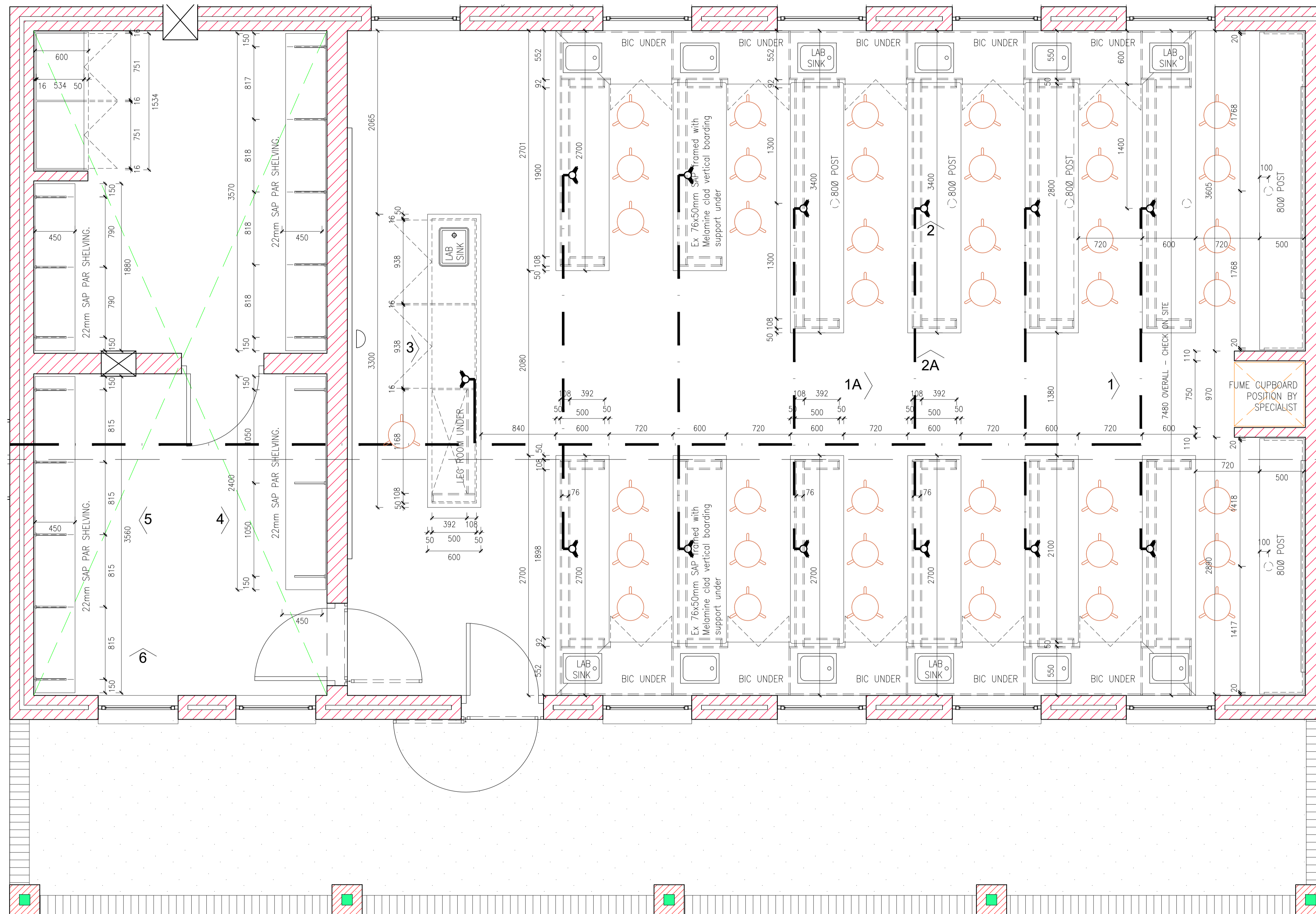
IMPLEMENTING AGENTS
BTKM



PROJECT NUMBER 1920	DATE AUG '23	SCALE 1:25/ 1:10	REVISION REV 1
------------------------	-----------------	------------------------	-------------------

SCIENCE LABORATORY JOINERY DETAILS

Scale 1:25



SCIENCE LABORATORY
JOINERY DETAILS
Scale 1:25

MUNICIPAL STAMP

CONSTRUCTION NOTES

ALL WORK TO BE CARRIED OUT STRICTLY IN ACCORDANCE WITH MUNICIPAL AND/OR LOCAL AUTHORITY REGULATIONS. DO NOT SCALE THIS DRAWING. FIGURED DIMENSIONS TO BE TAKEN IN PREFERENCE TO SCALING DRAWING. ALL RELEVANT DETAIL LEVELS AND DIMENSIONS TO BE CHECKED ON SITE PRIOR TO COMMENCEMENT OF WORK. ANY DISCREPANCIES TO BE BROUGHT TO THE ATTENTION OF THE ARCHITECT.

GENERAL NOTES

TRADE NAMES WHERE TRADE NAMES ARE SPECIFIED ON DRAWINGS, THE CONTRACTOR IS RESPONSIBLE TO SOURCE MATERIALS THAT ARE EQUAL OR OTHERWISE APPROVED BY THE DEPARTMENT OF ROADS AND PUBLIC WORKS.

REV	DATE	DESCRIPTION
1	22.08.2023	ADD JOINERY DETAILS

REV	DATE	DESCRIPTION
1	22.08.2023	ADD JOINERY DETAILS

PROJECT TITLE: EASTERN CAPE SCHOOL BUILDING PROGRAMME

PROJECT LOCATION: MTHINGWEVU SS SCHOOL

DRAWING DESCRIPTION: JOINERY DETAILS, SCIENCE LAB.

CLIENT: Province of the EASTERN CAPE EDUCATION

IMPLEMENTING AGENTS: BTKM



PROJECT NUMBER: 1920

DRAWING NUMBER: 1920 - AR - DES - 183

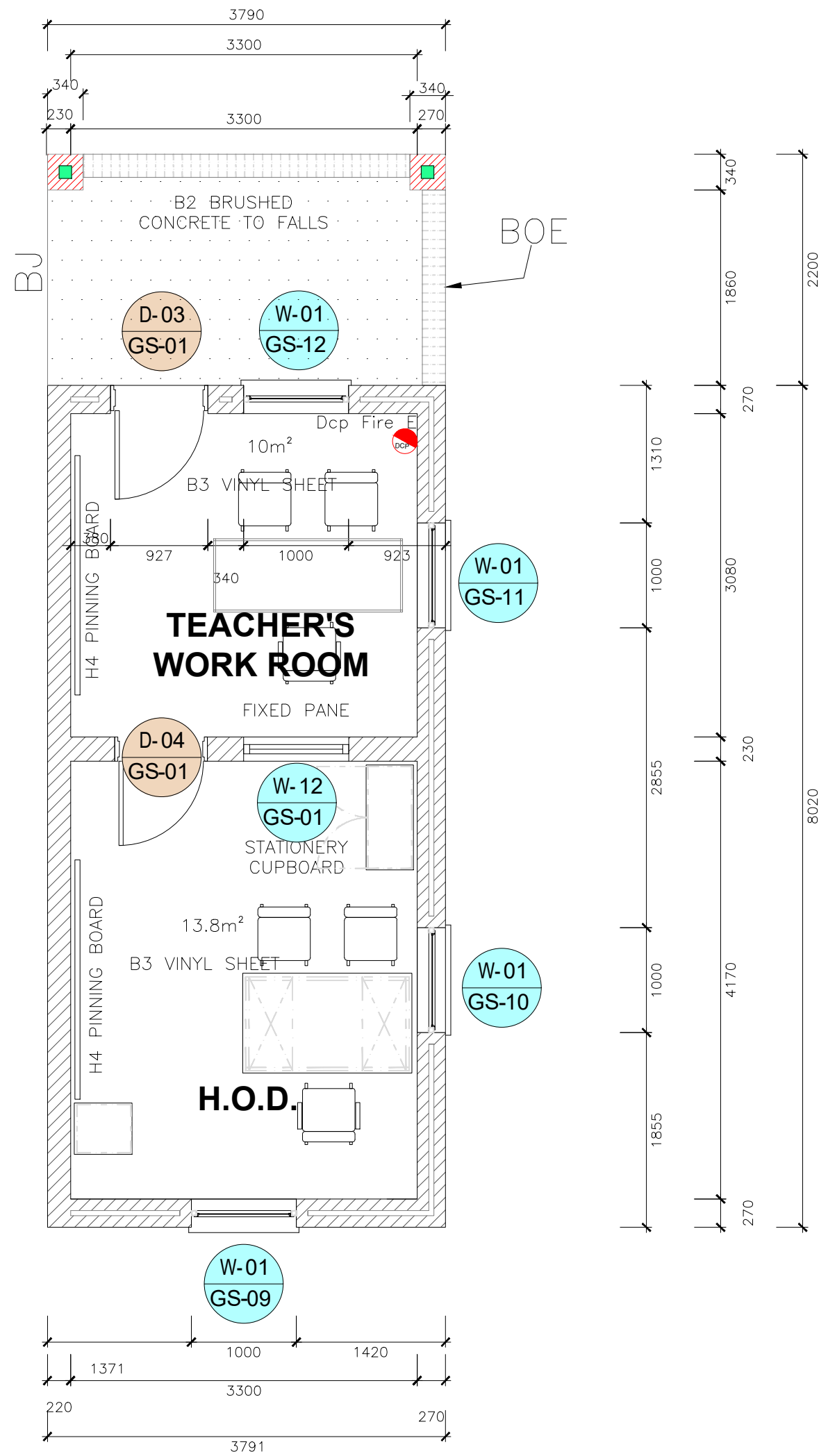
DATE: AUG '23

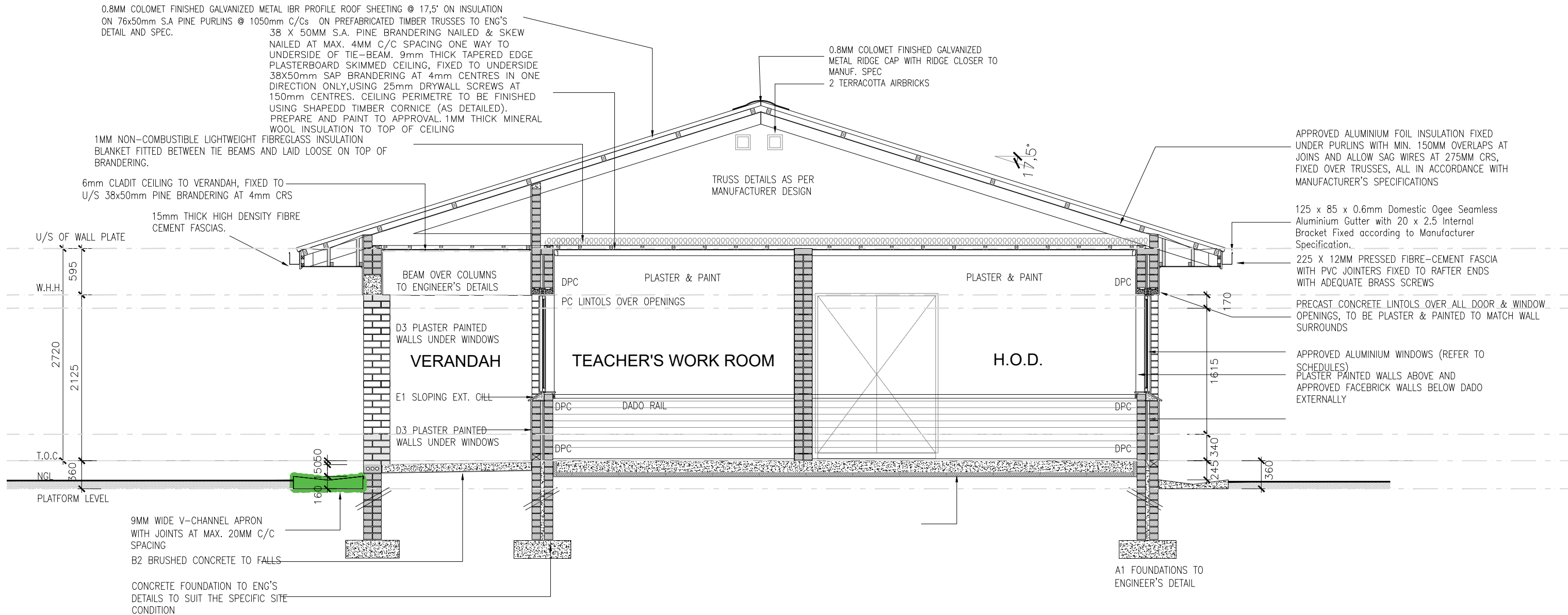
SCALE: 1:100

TYPICAL HOD LAYOUT

scale 1:50

(would be attached to a classroom)





TYPICAL SECTION A-A

scale 1:50



PART 4: SITE INFORMATION

Document reference	Title	No of pages
C4.1	This cover page <i>Locality Plan</i>	1 1
	Total number of pages	2



C4.1 LOCALITY PLAN

The work is located in MthingwevuSSS, Eastern Cape