

1

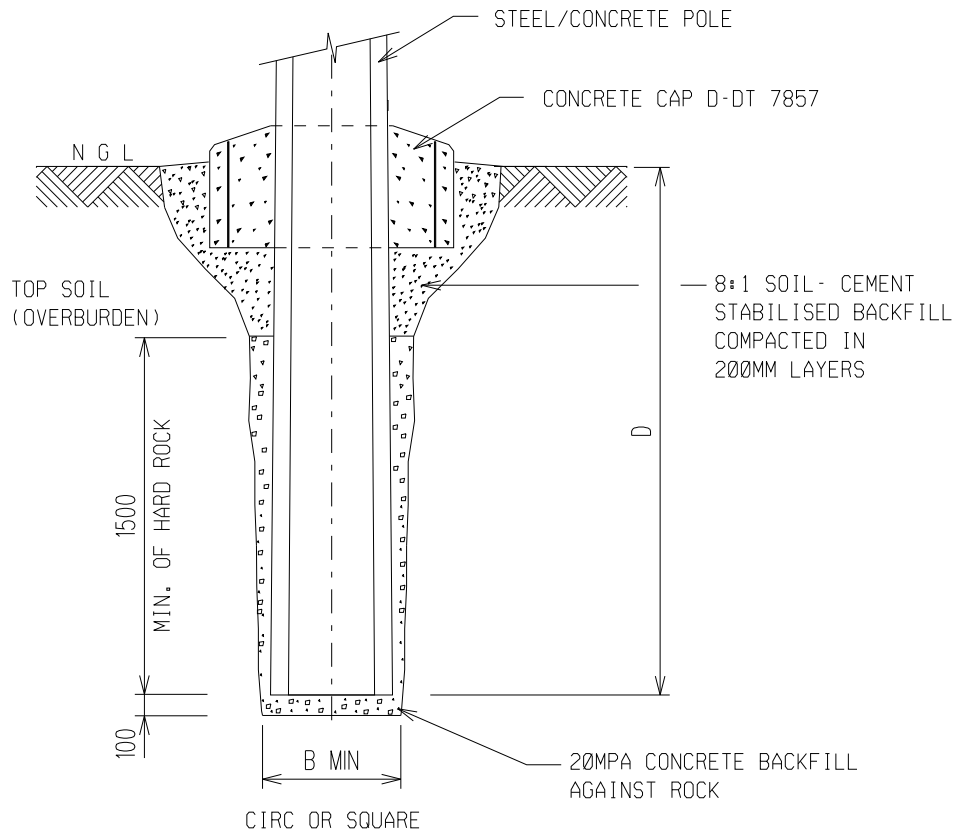
2

3

4

A

A



B

B

C

C

INTERMEDIATE STRUCTURE FOUNDATION
FOR ROCK AND SOFT ROCK (MIN 500KPA)

D

D

37kN & 23kN TIP LOADS	POLE LENGTH (m)	PLANTING DEPTH D (M)	B (m)	EXCAVATION VOLUME m ³	BACKFILL SOIL/CEMENT m ³	20MPa CONCRETE m ³
	20	2.6	0.70	1.461	0.0839	0.295
	21	2.7	0.75	1.592	0.1099	0.323
	22	2.8	0.80	1.783	0.1088	0.379
	23	2.9	0.85	1.995	0.173	0.456
	24	3.0	0.90	2.230	0.262	0.538

NOTE: VOLUMES ARE APPROXIMATE ONLY
"B" DIMS ARE MINIMUM TO FIT POLE INTO EXCAVATION

E

E

2	RETICULATION REMOVED FROM TITLE BLOCK	N.M.	P.A.T.	P.A.T.	31.01.10	
1	STEEL POLE CHANGED TO STEEL/CONCRETE POLE	N.M.	B.HILL	B.HILL	05.08.08	
REV	REVISION DESCRIPTION	BY	CHKD	AUTH	DATE	PROJECT NO.

F

F

	DISTRIBUTION TECHNOLOGY					
	SUB-TRANSMISSION LINES					
	INTERMEDIATE FREESTANDING MONOPOLES					
	FOUNDATION DETAILS - ROCK					
				SET	SHEET	REVISION
				5	1	2
		D DT 7850		5	1	2

1

2

3

4 A4L

1

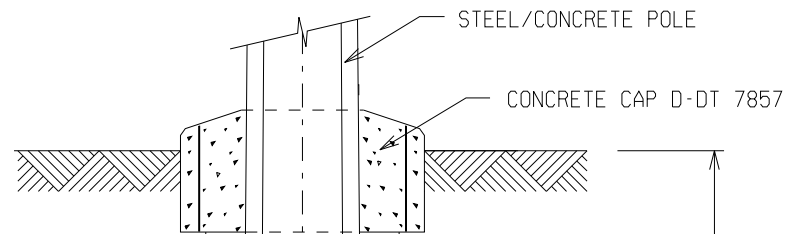
2

3

4

A

A



B

B

8:1 SOIL - CEMENT
STABILISED BACKFILL
COMPACTED IN
200MM LAYERS

RAM BOTTOM OF EXCAVATION
BEFORE PLANTING POLE

B
SQUARE

D
200

C

C

INTERMEDIATE STRUCTURE FOUNDATION
FOR NORMAL SOILS TYPE 1 (300KPA)

D

D

37kN & 23kN POLE LOAD	POLE LENGTH (m)	PLANTING DEPTH D (m)	B (m)	EXCAVATION VOLUME m ³	BACKFILL SOIL/CEMENT m ³	20MPa CONCRETE m ³
	20	2.6	1.10	3.48	2.155	0.242
	21	2.7	1.10	3.601	2.199	0.242
	22	2.8	1.10	3.722	2.185	0.242
	23	2.9	1.10	3.843	2.235	0.242
24	3.0	1.10	3.964	2.292	0.242	

E

E

NOTE : VOLUMES ARE APPROXIMATE ONLY

2	RETICULATION REMOVED FROM TITLE BLOCK	N.M.	P.A.T.	P.A.T.	31.01.10	
1	STEEL POLE CHANGED TO STEEL/CONCRETE POLE	N.M.	B.HILL	B.HILL	05.08.08	
REV	REVISION DESCRIPTION	BY	CHKD	AUTH	DATE	PROJECT NO.

F

F

	DISTRIBUTION TECHNOLOGY SUB-TRANSMISSION LINES INTERMEDIATE FREESTANDING MONOPOLES FOUNDATION DETAILS - 300KPA					
	AUTH: A BEKKER					
	DATE: NOV 2005					
	CHKD: S LE ROUX					
	DATE: NOV 2005					
	DRAWN: B MOICHELA					
DATE: OCT 2005						
D DT 7850				SET	SHEET	REVISION
				5	2	2

1

2

3

4 A4L

1

2

3

4

A

A

B

B

C

C

D

D

E

E

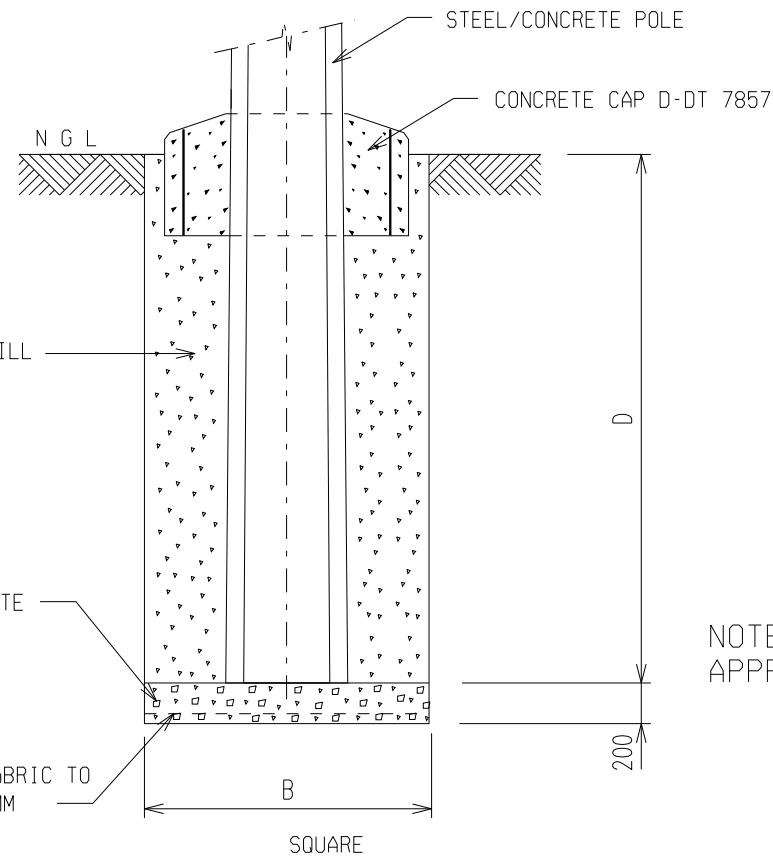
F

F

8:1 SOIL - CEMENT
STABILISED BACKFILL
COMPACTED IN
200MM LAYERS

10MPa CONCRETE

REF. 245 STEEL FABRIC TO
SABS 1024 WITH 50MM
COVER ON BOTTOM



NOTE: VOLUMES ARE
APPROXIMATE ONLY

INTERMEDIATE STRUCTURE FOUNDATION
FOR INTERMEDIATE SOILS TYPE 2 (150KPA)

23kN POLE LOAD	POLE LENGTH (m)	PLANTING DEPTH D (m)	B (m)	EXCAVATION VOLUME m ³	BACKFILL SOIL/CEMENT m ³	10MPa CONCRETE m ³
	20	2.6	1.40	5.488	4.014	0.392
21	2.7	1.40	5.684	4.133	0.392	
22	2.8	1.30	5.07	3.437	0.338	
23	2.9	1.30	5.239	3.535	0.338	
24	3.0	1.30	5.408	3.64	0.338	
37kN POLE LOAD	POLE LENGTH (m)	PLANTING DEPTH D (m)	B (m)	EXCAVATION VOLUME m ³	BACKFILL SOIL/CEMENT m ³	10MPa CONCRETE m ³
	20	2.6	2.20	13.552	11.502	0.968
21	2.7	2.20	14.036	11.909	0.968	
22	2.8	2.10	13.23	11.053	0.882	
23	2.9	2.10	13.671	11.423	0.882	
24	3.0	2.00	12.8	10.570	0.8	

2	RETICULATION REMOVED FROM TITLE BLOCK	N.M.	P.A.T.	P.A.T.	31.01.10	
1	STEEL POLE CHANGED TO STEEL/CONCRETE POLE	N.M.	B.HILL	B.HILL	05.08.08	
REV	REVISION DESCRIPTION	BY	CHKD	AUTH	DATE	PROJECT NO.



AUTH: A BEKKER
DATE: NOV 2005
CHKD: S LE ROUX
DATE: NOV 2005
DRAWN: B MOICHELA
DATE: OCT 2005

DISTRIBUTION TECHNOLOGY
SUB-TRANSMISSION LINES
INTERMEDIATE FREESTANDING MONOPOLES
FOUNDATION DETAILS - 150 KPA

D DT 7850

SET SHEET REVISION

5

3

2

1

2

3

4 A4L

A

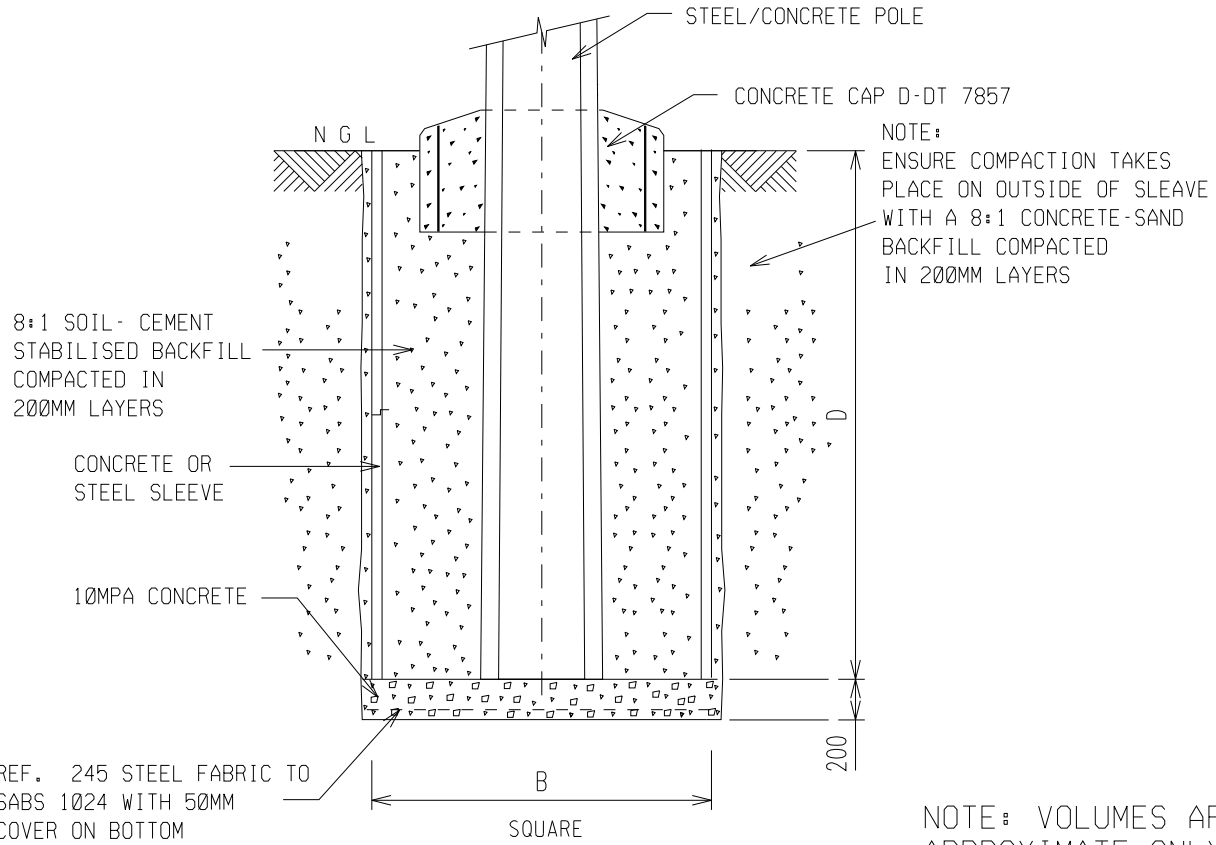
B

C

A

B

C



INTERMEDIATE STRUCTURE FOUNDATION FOR SANDY, LOOSE COHESIONLESS SOILS TYPE 3 (100KPA)

	POLE LENGTH (m)	PLANTING DEPTH D (m)	B (m)	EXCAVATION VOLUME m ³	BACKFILL SOIL/CEMENT m ³	10MPa CONCRETE m ³
	23KN POLE LOAD	20	2.6	2.00	11.2	9.318
21		2.7	2.00	11.6	9.641	0.8
22		2.8	2.00	12.0	9.905	0.8
23		2.9	1.90	11.19	9.103	0.722
24		3.0	1.90	11.55	9.4	0.722
37KN POLE LOAD	20	2.6	3.30	30.492	27.233	2.178
	21	2.7	3.20	29.696	26.489	2.048
	22	2.8	3.10	28.83	25.613	1.922
	23	2.9	3.10	29.79	26.503	1.922
	24	3.0	3.00	28.8	25.570	1.8

D

E

D

E

2	RETICULATION REMOVED FROM TITLE BLOCK	N.M.	P.A.T.	P.A.T.	31.01.10	
1	STEEL POLE CHANGED TO STEEL/CONCRETE POLE AND NOTE ADDED	N.M.	B.HILL	B.HILL	05.08.08	
REV	REVISION DESCRIPTION	BY	CHKD	AUTH	DATE	PROJECT NO.

F

F

<p>Eskom Distribution</p> <p>AUTH: A BEKKER</p> <p>DATE: NOV 2005</p> <p>CHKD: S LE ROUX</p> <p>DATE: NOV 2005</p> <p>DRAWN: B MOICHELA</p> <p>DATE: OCT 2005</p>	DISTRIBUTION TECHNOLOGY SUB-TRANSMISSION LINES INTERMEDIATE FREESTANDING MONOPOLES FOUNDATION DETAILS - 100KPA				
	D DT 7850		SET	SHEET	REVISION
			5	4	2

1

2

3

4

A

B

C

D

E

F

A

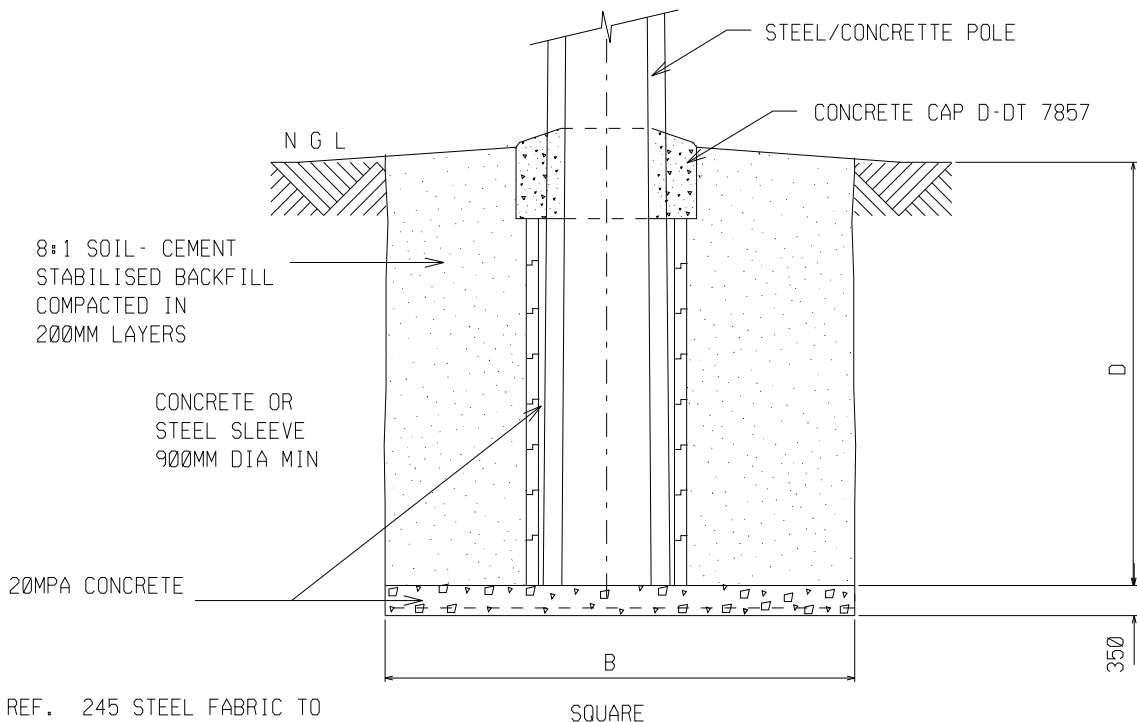
B

C

D

E

F



REF. 245 STEEL FABRIC TO
SABS 1024 WITH 50MM
COVER ON BOTTOM

SQUARE

NOTE: VOLUMES ARE
APPROXIMATE ONLY

INTERMEDIATE STRUCTURE FOUNDATION
FOR SUBMERGED, LOOSE COHESIONLESS SOILS
TYPE 4 (50KPA)

23kN POLE LOAD	POLE LENGTH (m)	PLANTING DEPTH D (m)	B (m)	EXCAVATION VOLUME m ³	BACKFILL SOIL/CEMENT m ³	20MPa CONCRETE m ³
	20	2.6	4.10	49.421	42.624	5.714
	21	2.7	4.00	48.640	42.041	5.440
	22	2.8	3.90	47.759	41.293	5.171
	23	2.9	3.80	46.786	40.510	4.909
	24	3.0	3.70	45.725	39.640	4.655
37kN POLE LOAD	POLE LENGTH (m)	PLANTING DEPTH D (m)	B (m)	EXCAVATION VOLUME m ³	BACKFILL SOIL/CEMENT m ³	20MPa CONCRETE m ³
	20	2.6	6.60	128.066	112.173	14.811
	21	2.7	6.40	124.518	108.204	13.926
	22	2.8	6.30	124.626	109.837	13.495
	23	2.9	6.10	120.560	106.543	12.651
	24	3.0	6.00	120.24	106.570	12.24

2 RETICULATION REMOVED FROM TITLE BLOCK

N.M. P.A.T. P.A.T. 31.01.10

1 STEEL POLE CHANGED TO STEEL/CONCRETE POLE

N.M. B.HILL B.HILL 05.08.08

REV	REVISION DESCRIPTION	BY	CHKD	AUTH	DATE	PROJECT NO.
-----	----------------------	----	------	------	------	-------------



AUTH:

DATE: / /

CHKD: D VAN TONDER

DATE: 25/10/2002

DRAWN: N VAN TONDER
S NAIDOO

DATE: 22/10/2002

DISTRIBUTION TECHNOLOGY
RETICULATION/SUB-TRANSMISSION LINES
INTERMEDIATE FREESTANDING MONOPOLES
FOUNDATION DETAILS - 50 KPA

D DT 7850

SET	SHEET	REVISION
-----	-------	----------

5	5	2
---	---	---

1

2

3

4 A4L