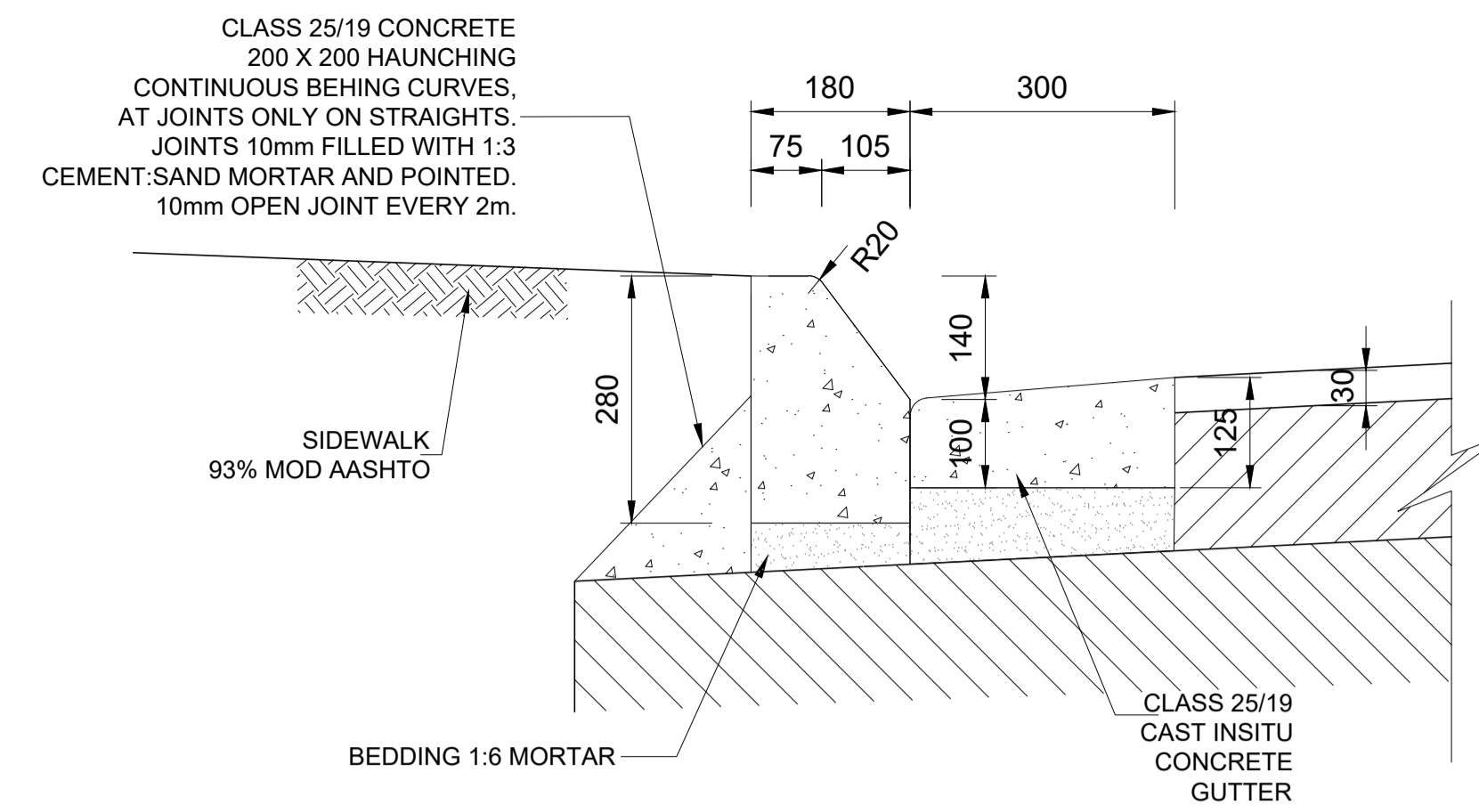
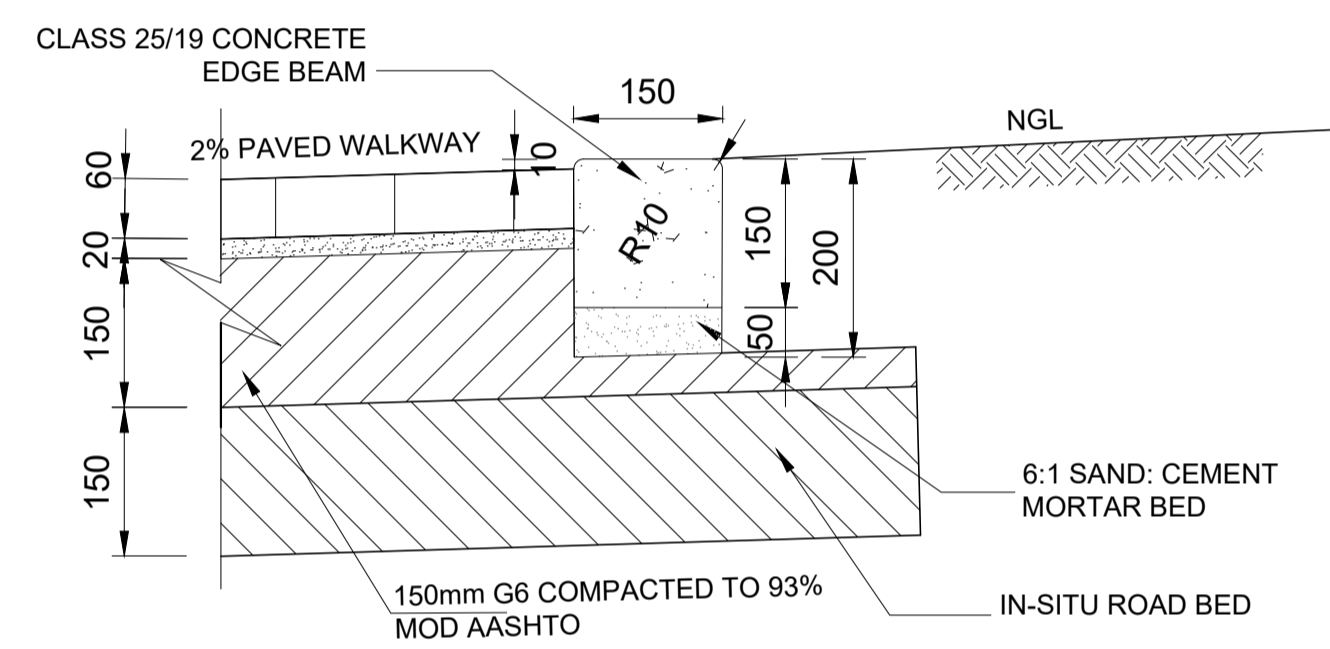


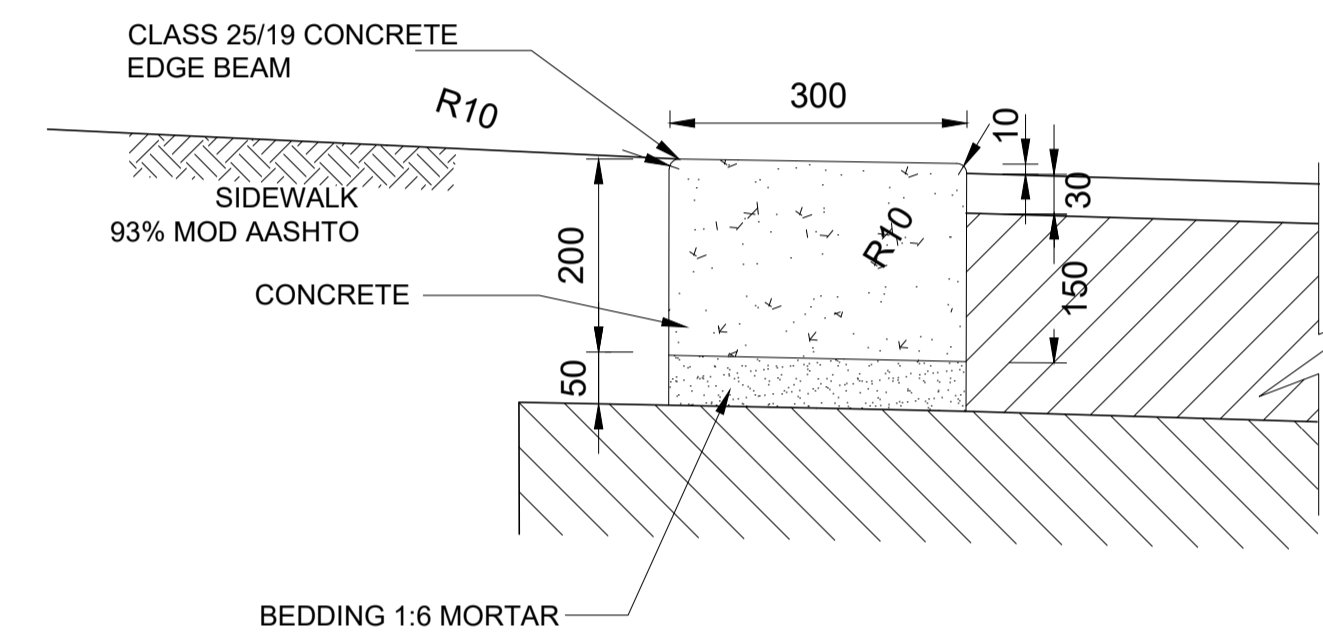
**SEMI MOUNTABLE KERB DETAIL**  
SCALE 1:10



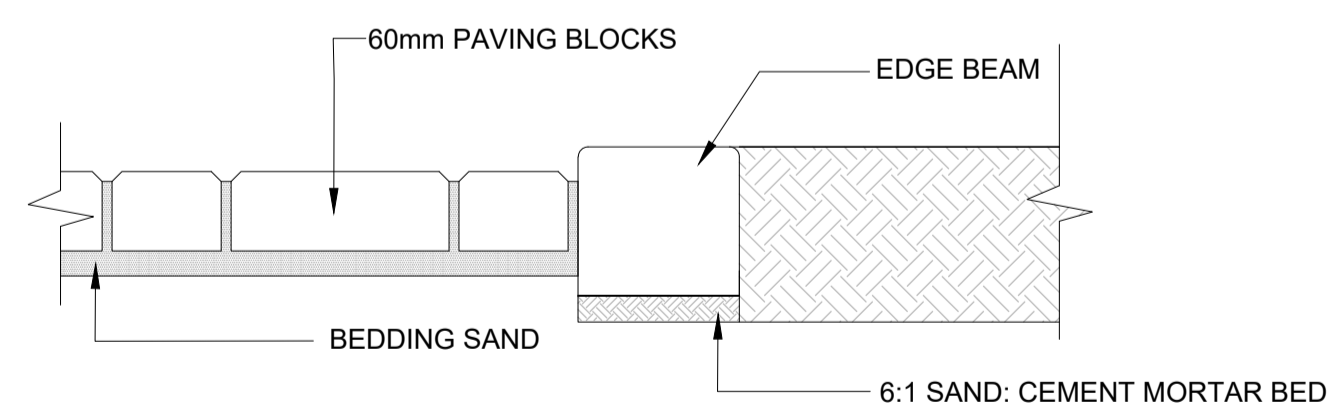
**SEMI MOUNTABLE KERB (FIG 7) DETAIL**  
SCALE 1:10



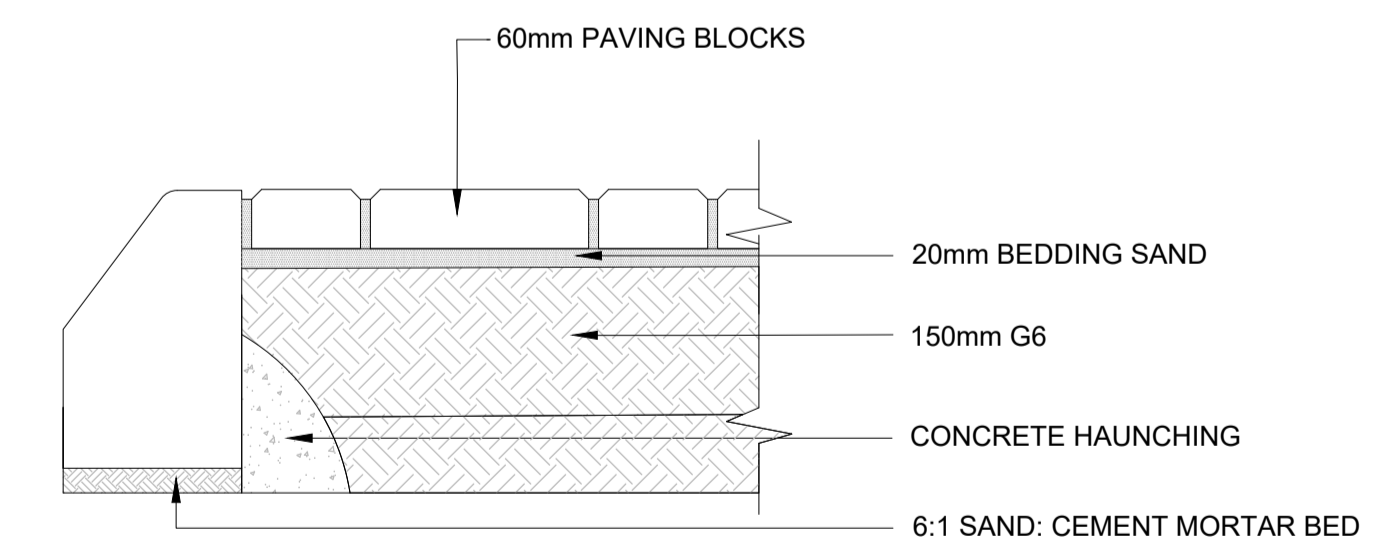
**EDGE BEAM DETAIL**  
SCALE 1:10



**EDGE BEAM DETAIL**  
SCALE 1:10



**EDGE BEAM DETAIL**  
SCALE 1:10



**SEMI MOUNTABLE KERB (FIG 7) DETAIL**  
SCALE 1:10

ISSUED FOR TENDER

No	DATE	REVISION	CONSULT	DIR
A	FEB. 2020	DESIGN DEVELOPMENT		
00	FEB. 2023	TENDER		

**CLIENT**  
**CITY OF MBOMBELA**  
P. O. BOX 45  
NELSPRUIT  
1200  
Tel.: (013) 759 9111

1 NEL STREET  
NELSPRUIT  
1200  
Fax.: (013) 759 2070

DESIGNED BY	
DRAWN BY	L.N MHLANGA
CHECKED BY	T. MAGAGULA Pr Tech Eng.
APPROVED BY	T. MAGAGULA Pr Tech Eng.

**CONSULTANT**  
**SHUMA AFRICA**  
(PTY) LTD  
UNIT 75, BUILDING 11,  
SONPARK SHOPPING CENTRE,  
CHR. MADIBA DRIVE AND  
PIET RETIEF STREET  
NELSPRUIT  
Tel.: (013) 752 9658

P O BOX 1644  
NELSPRUIT  
1200  
Fax.: (086) 545 7391

APPROVED	
MBOMBELA	DATE
CONSULTING ENGINEER	DATE

CONTRACT NUMBER : REG 55/2019  
PROJECT  
**NKOMENI TO THEMBSISA ROAD**  
DESCRIPTION  
**KERBS AND EDGE BEAM DETAILS**

DESIGN PLAN (Full signature)
For MEM
For Consulting Engineer
CONSULTANTS DRAWING NUMBER SH-920-21-05-TD

SCALE AS - SHOWN
REVISION No. 00
SHEET 1 of 1
DATE FEBRUARY 2023