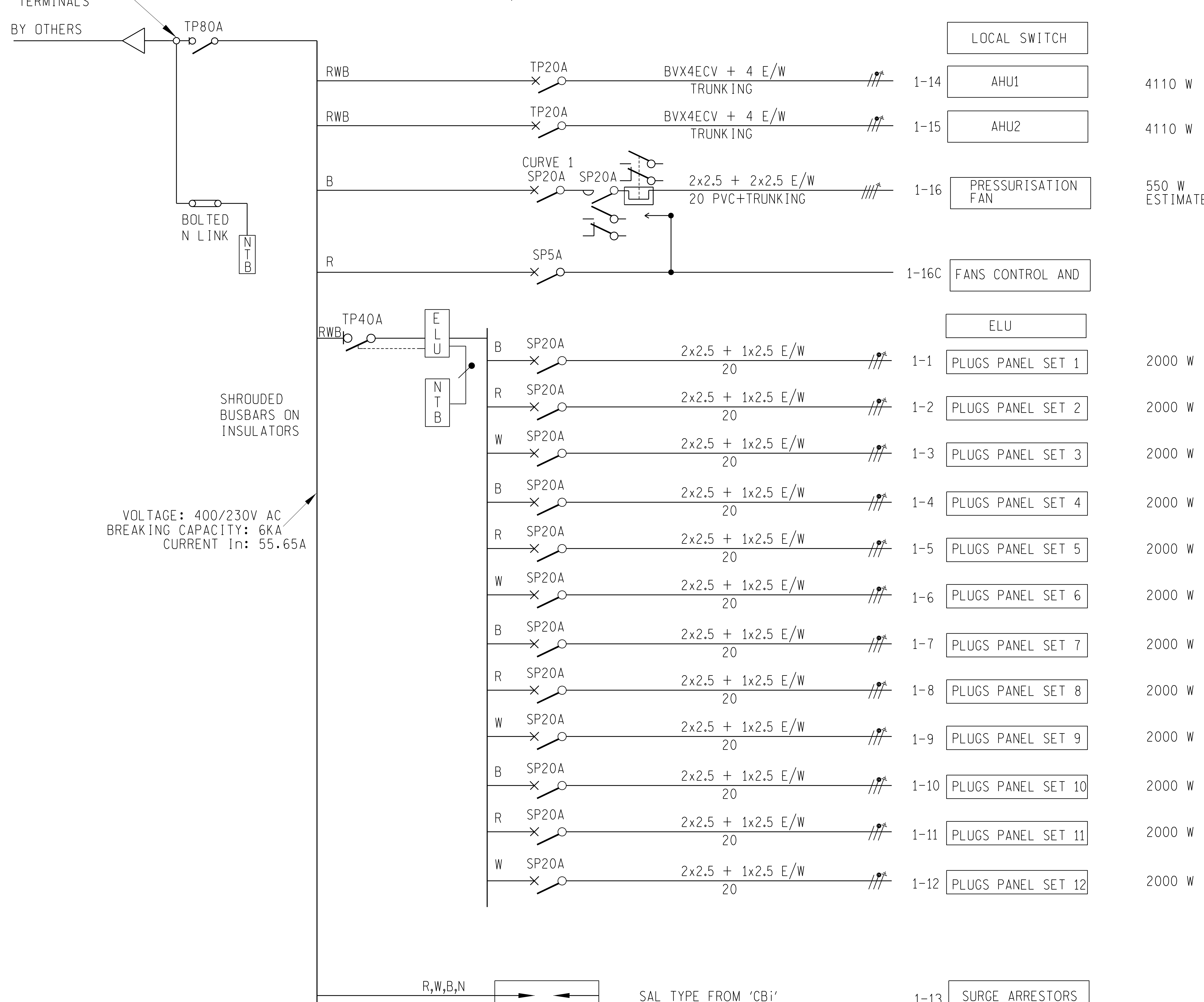


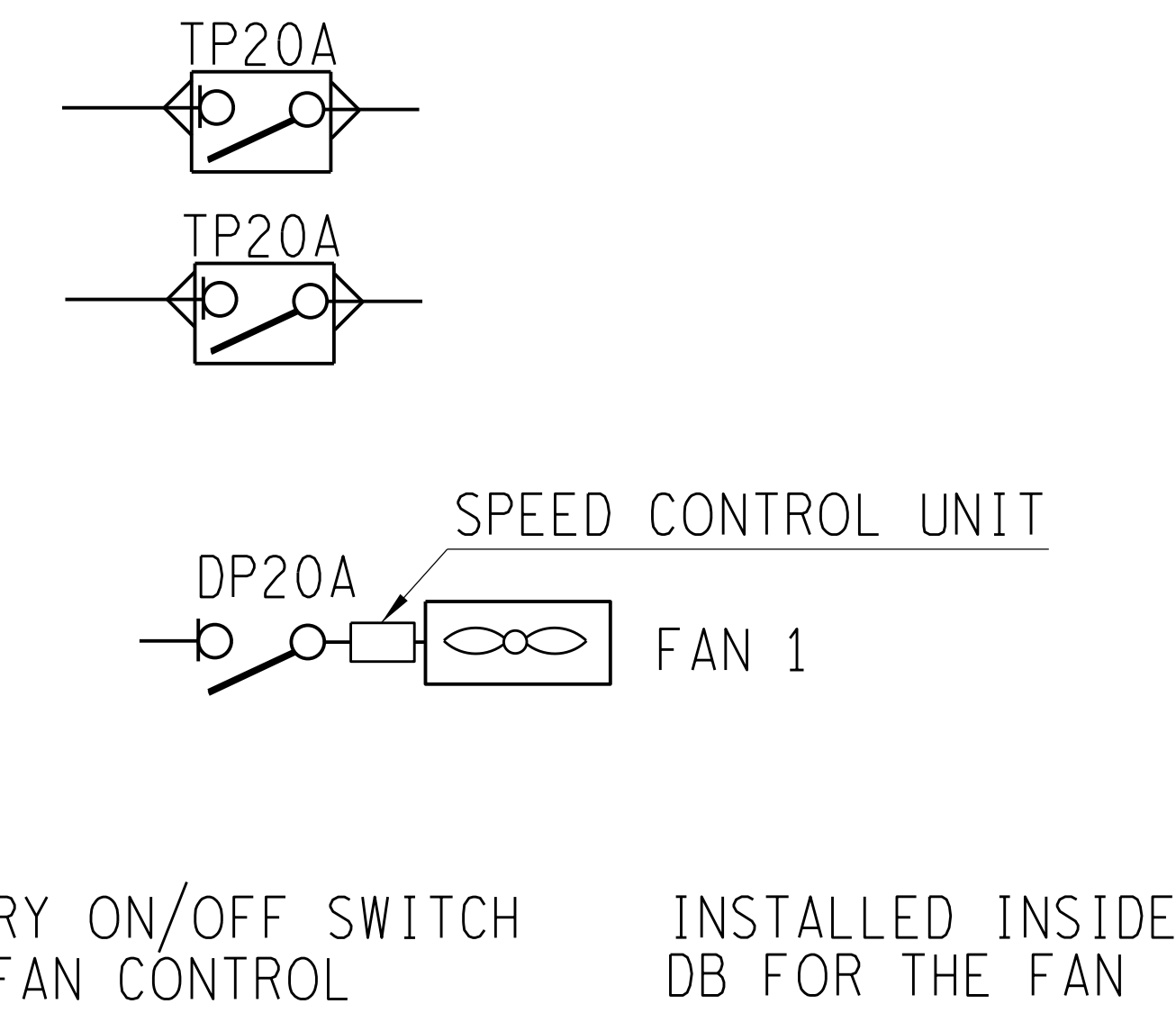
DISTRIBUTION BOARD BY OTHERS

| LOCAL SWITCH | ELU & PHASES | MCB'S | CONDUCTOR SIZE mm <sup>2</sup> | CONDUIT SIZE mm | CIRC No | LABEL | POINT No | LOAD |
|--------------|--------------|-------|--------------------------------|-----------------|---------|-------|----------|------|
|--------------|--------------|-------|--------------------------------|-----------------|---------|-------|----------|------|



VOLTAGE: 400/230V AC  
 BREAKING CAPACITY: 6KA  
 CURRENT In: 55.65A

SHROUDED BUSBARS ON INSULATORS



ELECTRICAL LEGEND:  
 (IN ACCORDANCE WITH NRS002)



| REV              | REVISION DESCRIPTION | DRAWN   | CHKD | AUTH  | DATE     | REFERENCE DRAWINGS |
|------------------|----------------------|---|------|---|----------|--------------------|
| APPROVED BY      |                      | <b>Eskom</b><br>National Transmission Company South Africa™         |      | National Transmission Company South Africa SOC Ltd<br>Reg No 2021/539129/30 |          |                    |
| DATE: 04/12/2025 |                      | <b>SIMMERPAN COMPLEX</b><br>PHASE 6 LAB<br>SCHEMATIC DIAGRAM LAYOUT |      |   |          |                    |
| CHECKED BY       |                      |   |      |   |          |                    |
| DATE: 04/12/2025 |                      |   |      |   |          |                    |
| DRAWN BY         |                      |   |      |   |          |                    |
| DATE: 02/11/2025 |                      | <b>SIMCO25P02-SE-E64</b>  |      | SHEET NUMBER  | REVISION |                    |
| SCALE AS SHOWN   |                      |   |      | 2   | 0        |                    |

**FINAL DESIGN  
 FOR CONSTRUCTION**