

1 2 3 4

A

B

C

D

E

F

A

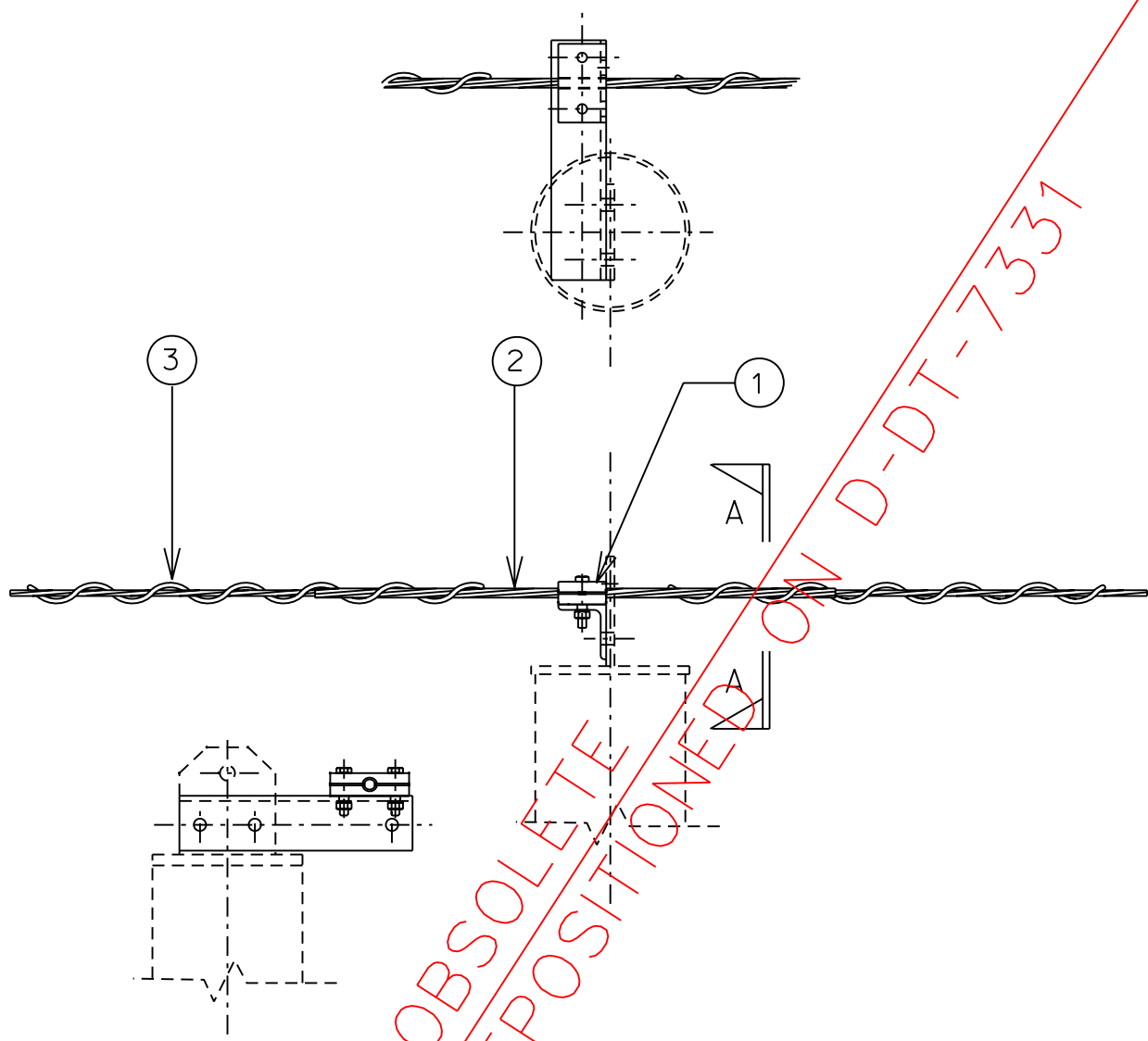
B

C

D

E

F



VIEW ON 'A-A'

EARTHWIRE CLAMPING DETAIL

REF	DESCRIPTION	DRAWING NO.
1	E/WIRE CLAMP	D-DT 7003
2	ARMOUR ROD	D-DT 7006
3	VIBRATION DAMPER	D-DT 3175

4	OBSOLETE - ALL INFORMATION REPOSITIONED ON D-DT-7331	P.A.T.	S. MATHABA	06.04.2009		
03	ARMOUR ROD DRAWING NUMBER REVISED	SLR	RAB	AB	JULY 2004	
REV	REVISION DESCRIPTION	BY	CHKD	AUTH	DATE	PROJECT NO.



AUTH:	A BEKKER
DATE:	JAN 2004
CHKD:	RAB
DATE:	JAN 2004
DRAWN:	LMP
DATE:	APRIL 2000

DISTRIBUTION TECHNOLOGY
 RETICULATION/SUB-TRANSMISSION LINES
 ASSEMBLY AND INFORMATION DRAWINGS
 EARTH WIRE INTERM. UN-INSULATED ASS'LY

D-DT 7326

SET	SHEET	REVISION
1	1	4

1 2 3 4 A4L