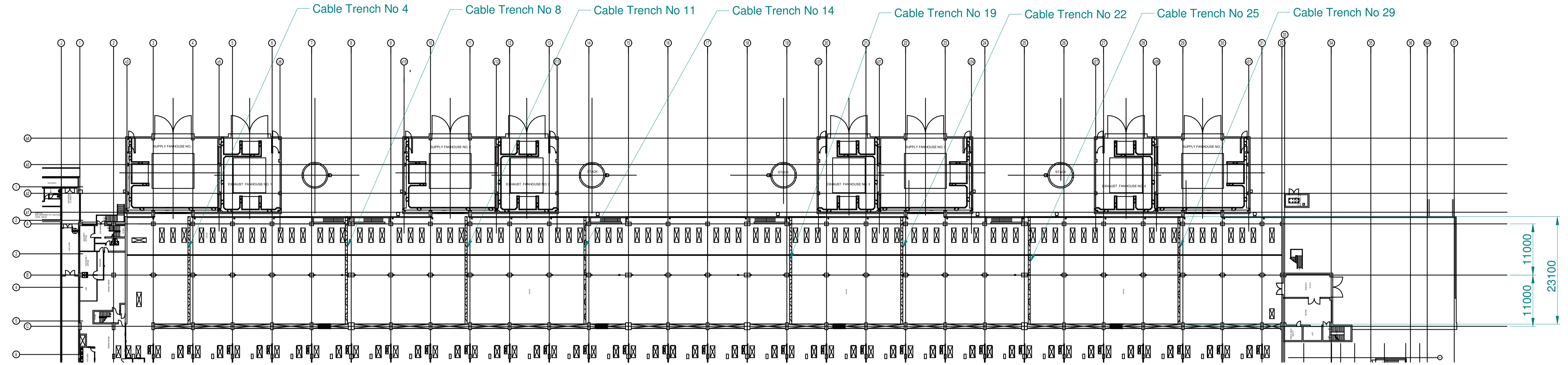
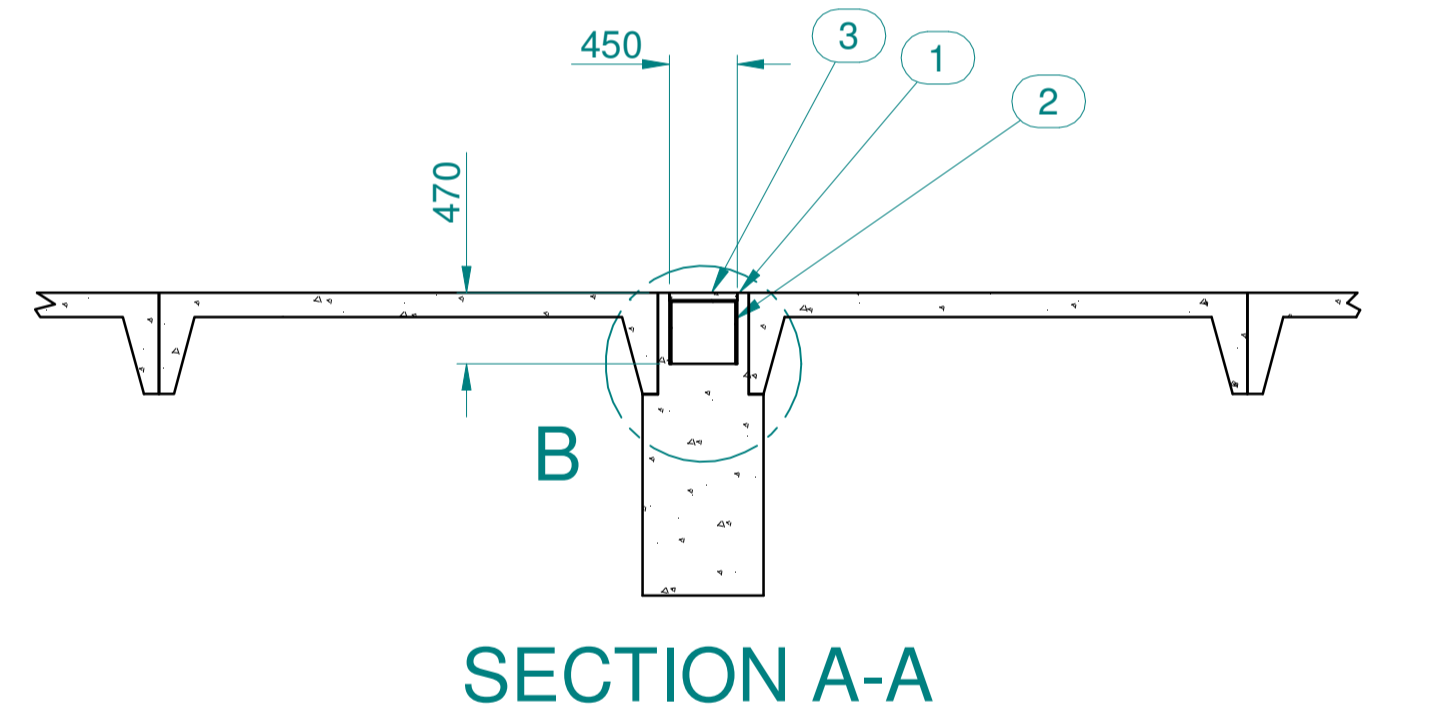


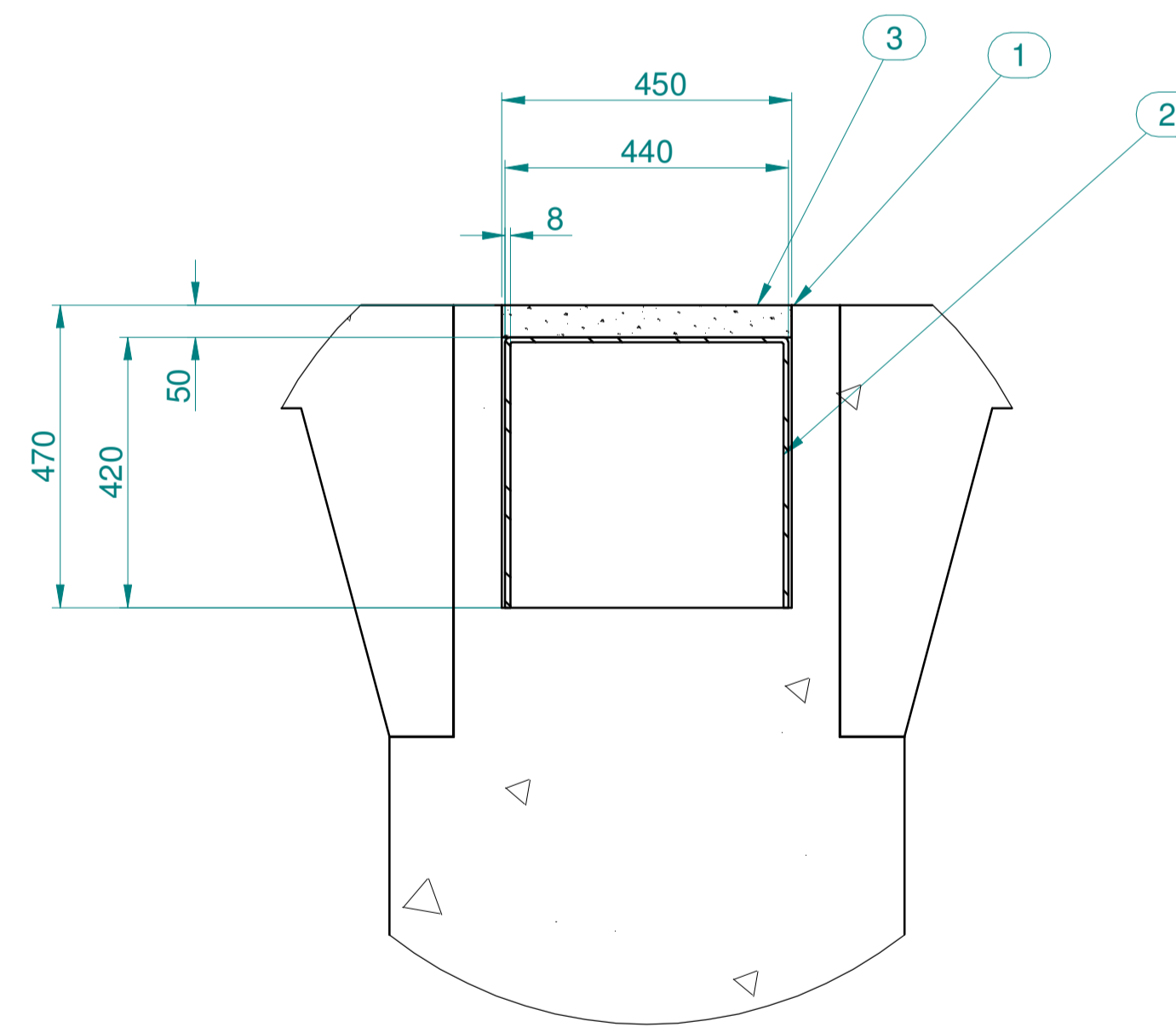
READ THE NOTES AND LEADERS TO PREVENT MISHAPS



1:500

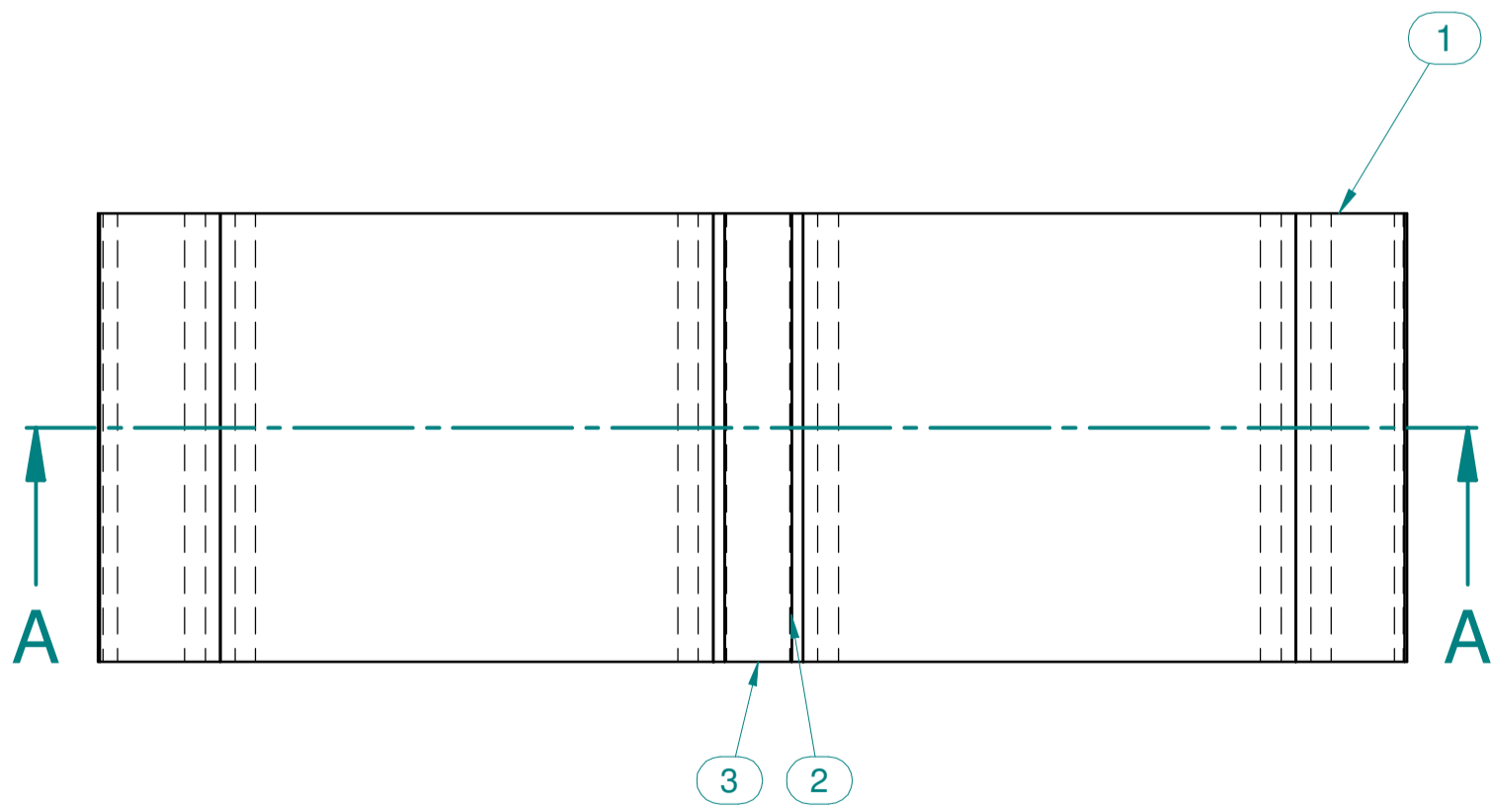


SECTION A-A



DETAIL B

1:10



Floor_Trench_1				
Item Number	Description	Material	Mass (Item)	Quantity
1	Existing Floor	Concrete 35MPa	32110.014 kg	1
2	8mm Plate	EN 10025-2: 2008 S355JR	237.017 kg	1
3	New Screed	Screed 15MPa	135.000 kg	1

COPYRIGHT
 THIS DRAWING IS THE PROPERTY OF NECSA. BY SIGNING AND ACCEPTANCE OF THE DRAWING TRANSMITTAL SHEET THE USER ACKNOWLEDGES THIS.
 THE USER UNDERTAKES TO CONSIDER ANY INFORMATION CONTAINED IN THIS DRAWING AS CONFIDENTIAL.
 THEREFORE THE USER UNDERTAKES NOT TO COPY, DISCLOSE OR SEND ANY CONFIDENTIAL INFORMATION TO A THIRD PARTY WITHOUT NECSA'S PRIOR WRITTEN CONSENT.
 ALL CONFIDENTIAL INFORMATION IN TANGIBLE FORM OF EXPRESSION WHICH HAS BEEN DISCLOSED TO OR THEREAFTER CREATED, WHETHER BY COPY OR REPRODUCTION, SHALL BE AND REMAIN THE PROPERTY OF NECSA.

REV	DESCRIPTION	CHK'D	DATE
0.1	ISSUED FOR DESIGN PROCESS AND COMMENT	JMK.	2022/10/05
1.0	ISSUED FOR CONSTRUCTION (CLIENT CHANGE DESIGN)	JMK.	2022/12/12
2.0	ISSUED FOR CONSTRUCTION	JMK.	2024/02/19

CLIENT ACCEPTANCE APPROVAL OF DRAWING			
DISCIPLINE	NAME	SIGNED	DATE
FACILITY OWNER :			
LICENSING :			
ELECTRICAL ENGINEER			
CIVIL ENGINEER :	PB VAN ASWEGEN	<i>[Signature]</i>	2024-03-03
PROJECT LEADER :			

APPROVED BY PROFESSIONAL ENGINEER
[Signature]
 Pieter-Ben van Aswegen
 Pr. Eng. 20020227, M. Eng. (Structure)
 2024-03-03
 DATE

ORIGINAL SCALE: AS SHOWN ON VIEW
 DRAWN JanK
 CHECKED *[Signature]*



PROJECT: V-14 WET WASTE STORAGE FACILITY
 TRENCH COVER

LAST UPDATE 2024/02/19
 DRG. NO: NNDD-V-14-C-L1-0006_R2 SHT 1 OF 1

