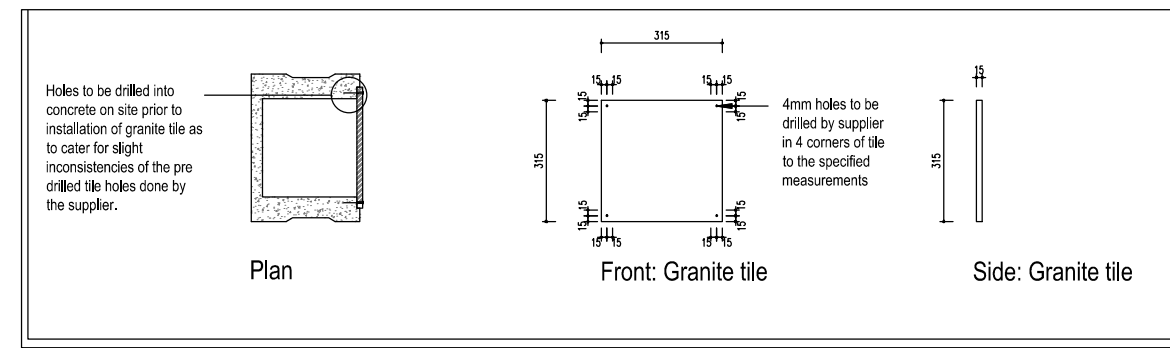
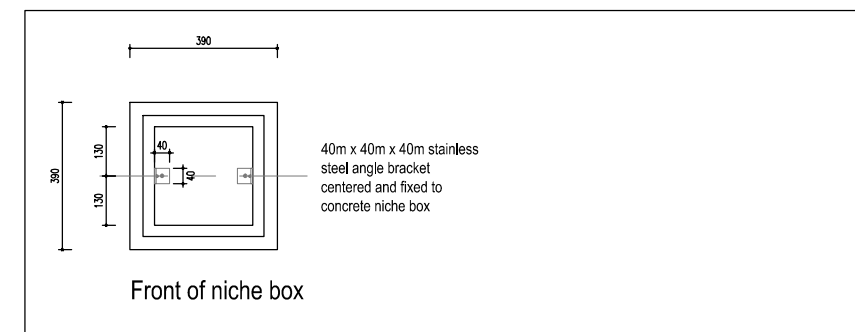


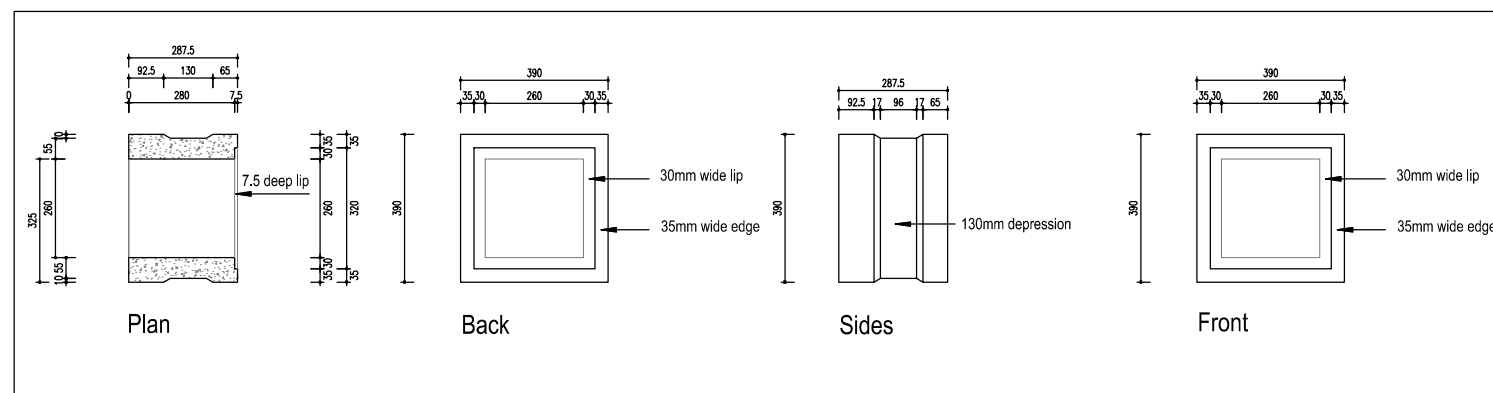
MANUFACTURERS DETAIL
scale 1:10



TILE DETAIL
scale 1:10



ON SITE DETAIL
scale 1:10



MANUFACTURERS DETAIL
scale 1:10

client

project

NICHE WALLS

drawing

PROPOSED NICHE WALL
ISLAND DESIGN

scale

1:10 @ A1

date

27/04/2018

drawn

MA

project number

1803

drawing number

A501

revision

B