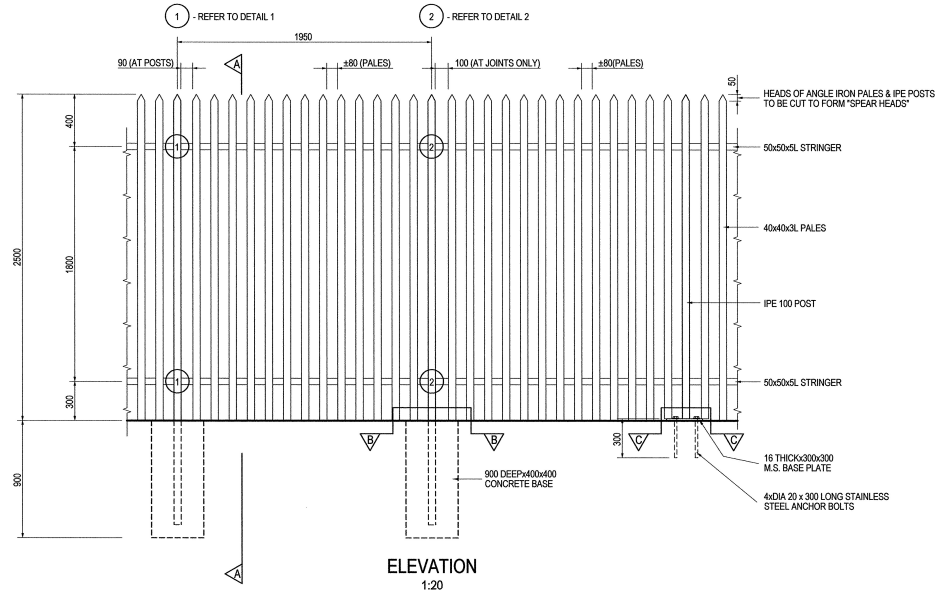
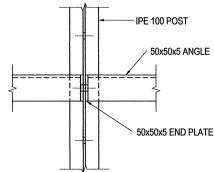


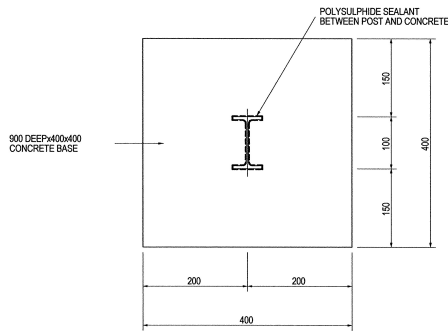
TYPICAL SECTION A-A
1:20



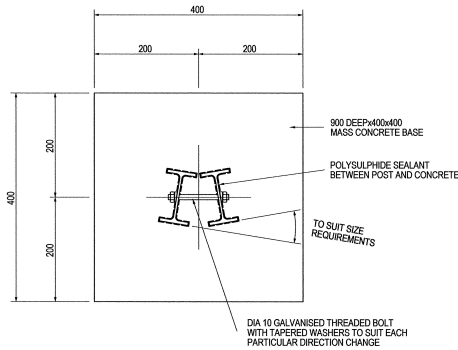
ELEVATION
1:20



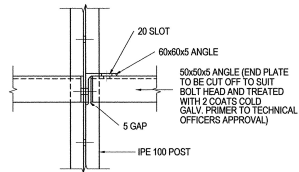
DETAIL 1
TYPICAL CONNECTION DETAIL
SCALE 1:5



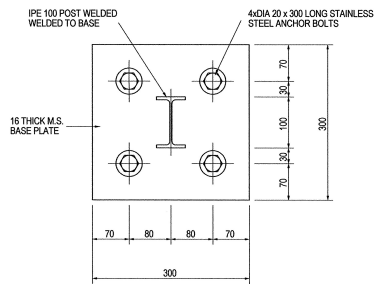
SECTIONAL PLAN B-B
SCALE 1:5



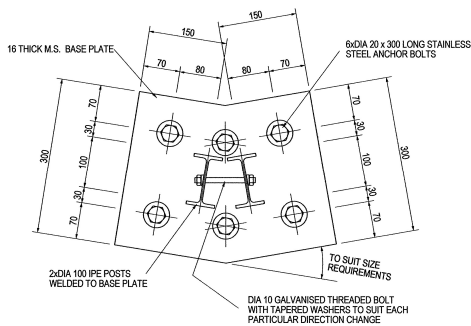
DETAIL OF MASS CONCRETE BASE
WITH CHANGE OF DIRECTION
SCALE 1:5



DETAIL 2
TYPICAL EXPANSION JOINT DETAIL
SCALE 1:5



SECTIONAL PLAN C-C
SCALE 1:5



DETAIL OF BASE PLATE WITH
CHANGE OF DIRECTION
SCALE 1:5

- NOTES
- SETTING OUT
 - THE CONTRACTOR IS TO SET THE FENCE OUT BY SURVEY INSTRUMENT AND AS DIRECTED BY THE TECHNICAL OFFICER ON SITE. NO CONCRETING OF THE POSTS WILL BE ALLOWED UNTIL THE ENTIRE FENCE IS SET OUT AND APPROVED BY THE TECHNICAL OFFICER.
 - A 10mm JOINT IN THE STEEL PANEL MUST BE ALLOWED FOR AT EVERY 6TH POST.
 - FOUNDATIONS
 - ALL EXCAVATIONS TO BE DONE BY HAND.
 - ALL INSTIT FOUNDING MATERIAL TO BE COMPACTED TO 85% MOD. AND INSPECTED BY THE TECHNICAL OFFICER PRIOR TO POURING CONCRETE.
 - CONCRETE
 - ALL CONCRETE TO BE MIN. 30MPa AT 28 DAYS PRFC CONTAINING NOT LESS THAN 40% BLAST FURNACE SLAG OR A 50/50 BLEND OF EITHER OPC OR PC15 AND BLAST FURNACE BLEND.
 - STEEL PANELS
 - ALL STEEL TO BE HOT-DIPPED GALVANISED WITH MINIMUM ZINC COATING THICKNESS BEING 105 MICRONS (HEAVY DUTY GALVANISING). (SABS 753)
 - ALL WELDS 6mm CONTINUOUS FILLET.
 - ALL BOLTS, WASHERS & NUTS TO BE GALVANISED. ALL BOLTS TO BE 10mm DIA. ALL NUTS TO HAVE A SPECIAL BREAK OFF FACILITY FOR SECURITY MEASURES.
 - NO CUTTING OF STEEL OR WELDING ON SITE WILL BE ALLOWED WITHOUT PRIOR APPROVAL FROM THE TECHNICAL OFFICER.
 - CONTRACTOR TO CALCULATE ALL CUTTING DIMENSIONS AND TO PRODUCE SHOP DETAILS FOR APPROVAL BY THE TECHNICAL OFFICER PRIOR TO FABRICATION.
 - WHERE 100mm STEPS ARE ENCOUNTERED, 100mm OF THE BOTTOMS OF THE FIRST POLE TO BE CUT AND PROTECTED WITH 2 COATS COLD GALV.

- GENERAL
- ALL WRITTEN DIMENSIONS TO TAKE PREFERENCE OVER SCALED DIMENSIONS
 - ALL LEVELS AND DIMENSIONS TO BE CHECKED ON SITE BEFORE ANY WORK COMMENCES

1	2004-02-15	BOLT SPECIFICATION CHANGED.
No.	DATE	AMENDMENT
DATE	DESIGNATION	SIGNATURE
24/04/04	Security Manager	[Signature]
16/04/04	PORT ENGINEER	[Signature]



PORT ENGINEER DURBAN
SUITE 233
OCEAN TERMINAL, T-JETTY
PORT OF DURBAN
TEL: (031) 361-6709

PORT OF DURBAN

TYPE "B"
STEEL PALLISADE
SECURITY FENCE
TYPICAL FENCE AND
JOINT DETAILS

DRAWN: D.B.N.	CHECKED:
SCALE: AS SHOWN	DATE: JULY 2000
No. DH61-I-22	SHEET No. 1
CAD. REF: 110022-001-01	FILE REF: AMENDMENT: 1

NOTE : CONTRACTOR TO EXERCISE CARE DURING EXCAVATIONS AS UNDERGROUND SERVICES MAY BE ENCOUNTERED.