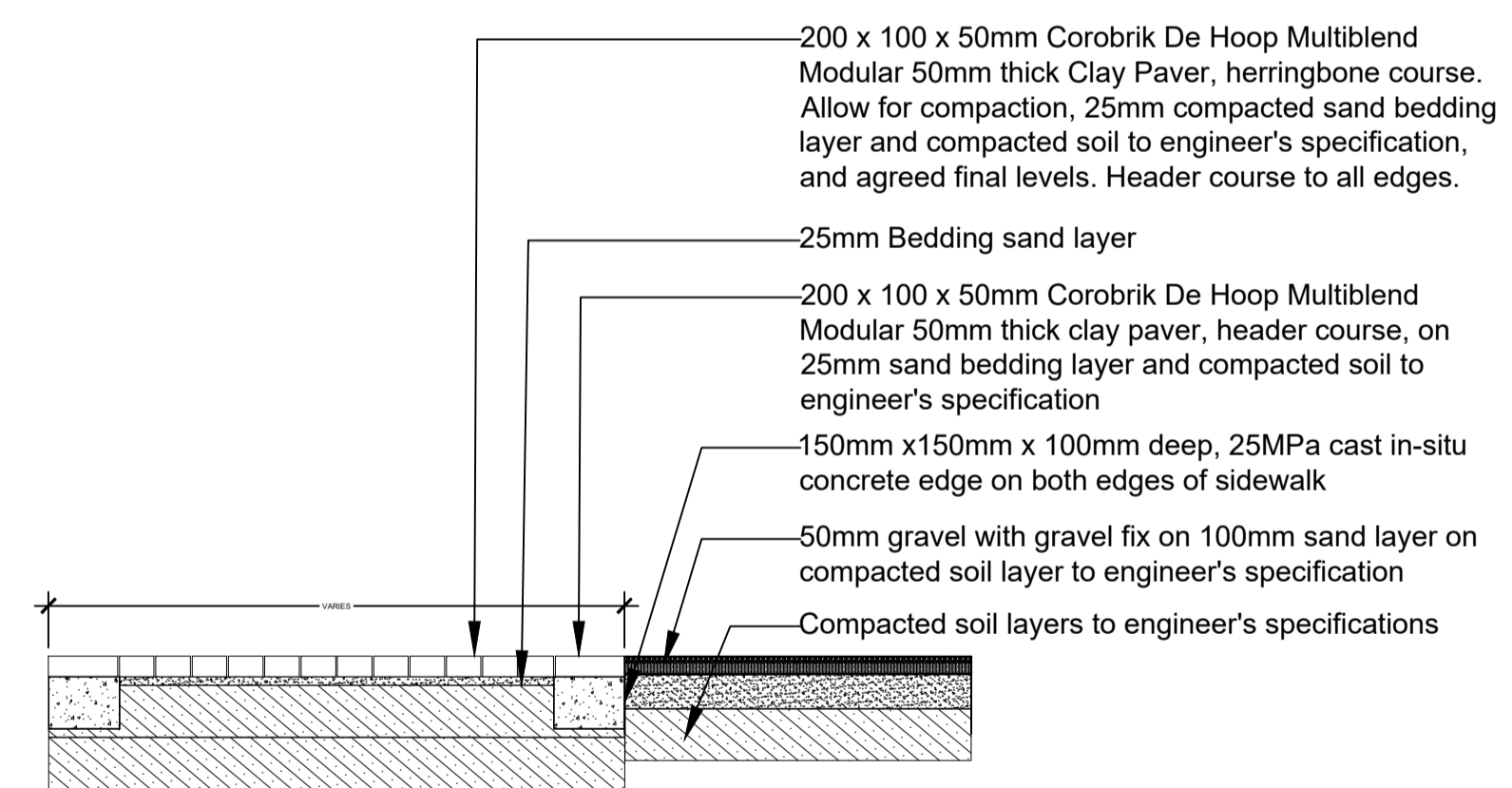


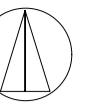
**DETAIL 14**  
Detail of sandpit with soak-away  
1:20



**DETAIL 15**  
Typical detail of new paving and gravel edge  
1:20

**General Notes**

1. This drawing is to be read in conjunction with engineers drawings.
2. Any discrepancies to be reported to the architects prior to work commencing.
3. This drawing to be read in conjunction with all consultants drawings and details
4. This drawing must not be scaled



**Revisions**

no	date	description
01	31/05/2023	TENDER

**Consultant**

Contract Number:

Council	Professional Number	Name	Signature
SACLAP	20368	S. Le Grange	

**Project**

Location: SANBI Pretoria National Botanical Gardens

Erf/ Farm portion:

Land Parcel:

**Drawing Title**  
22.42 SANBI PNBG Children's Edu-tainment Garden  
Details 4

Consultants In Office Drawing Number:

DRAWN	CHECKED	DATE	SCALE	PAGE SIZE
SLG	ADP	31/05/2023		A1

This drawing to be read in conjunction with drawing no:

**Drawing Number**  
22.42\_PNBG\_LA\_304\_00