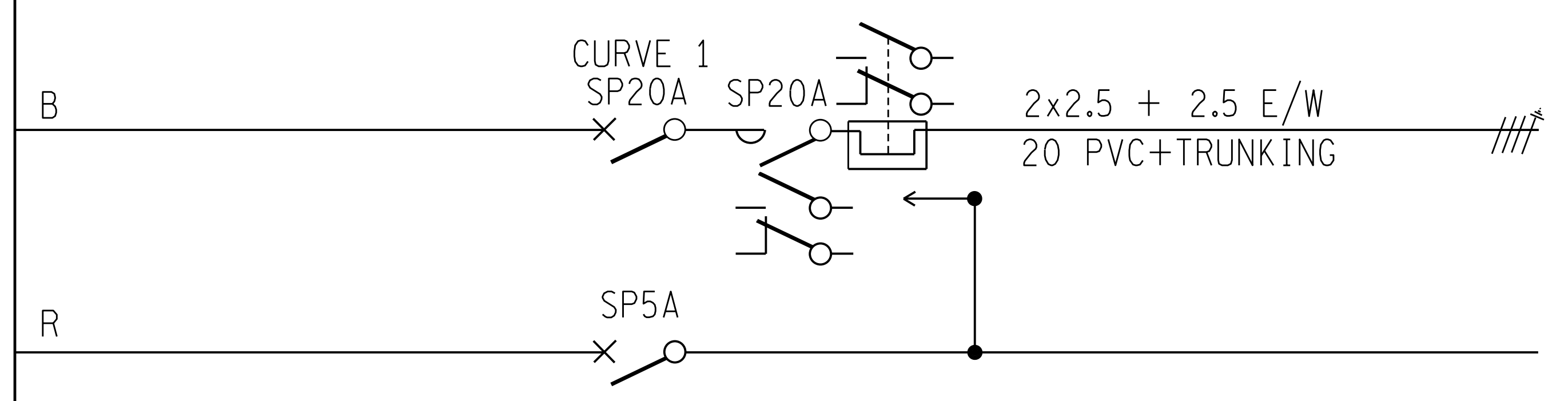
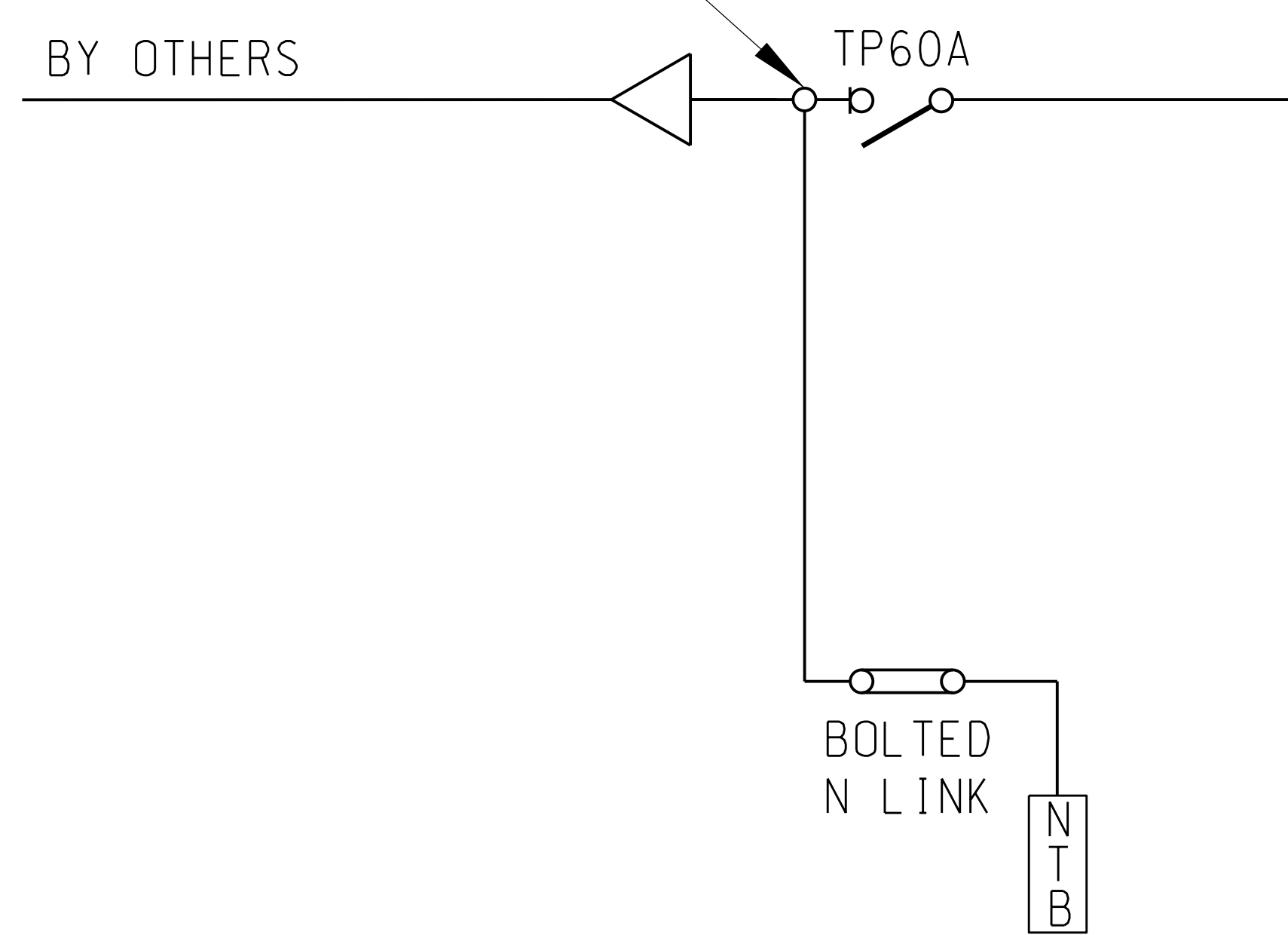


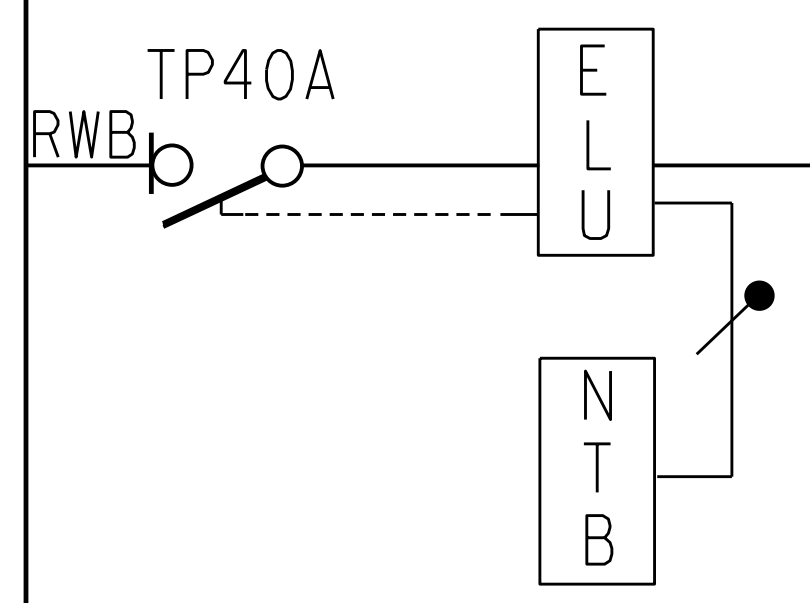
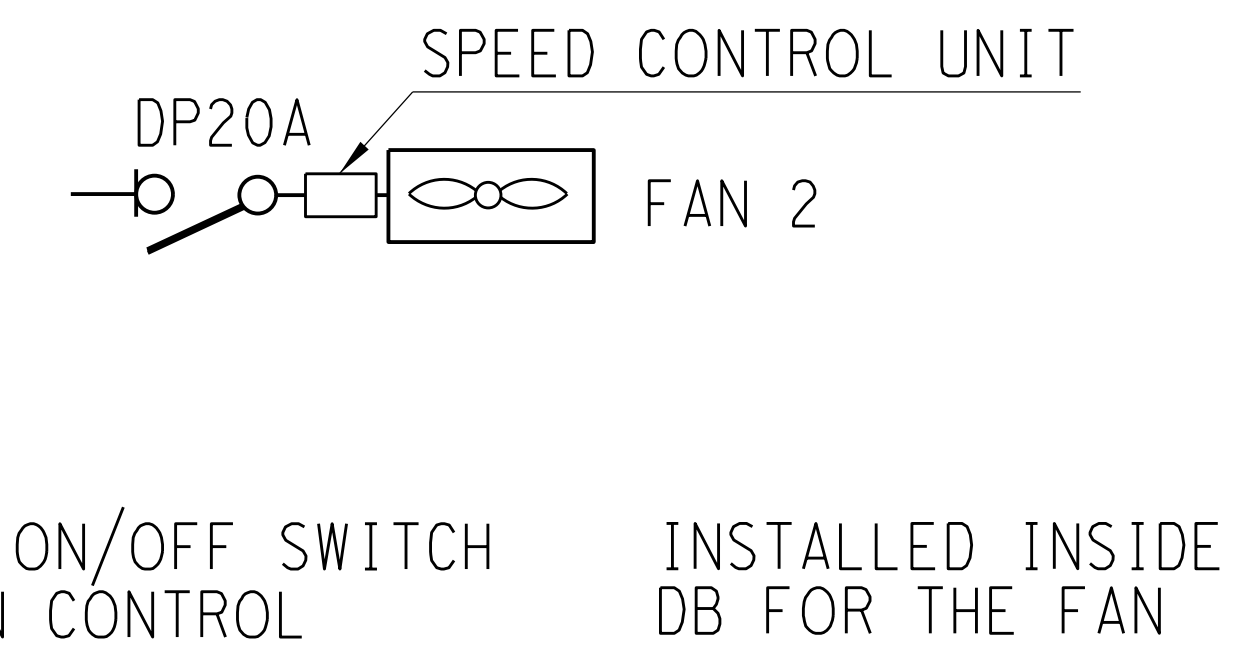
1 2 3 4 5 6 7 8 9 10 11 12

DISTRIBUTION BOARD BY OTHERS

LOCAL SWITCH	ELU & PHASES	MCB'S	CONDUCTOR SIZE mm <sup>2</sup>	CIRC No	LABEL	POINT No	LOAD
			CONDUIT SIZE mm				



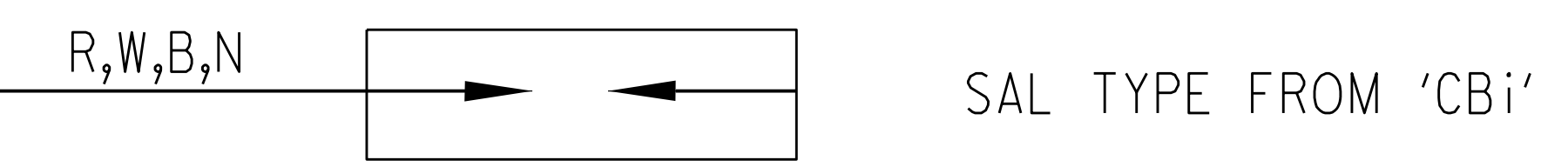
LOCAL SWITCH							
1-14	PRESSURISATION FAN					550 W ESTIMATED	
1-14C	FANS CONTROL						ROTARY ON/OFF SWITCH FOR FAN CONTROL



ELU	MCB'S	CONDUCTOR SIZE mm <sup>2</sup>	CIRC No	LABEL	POINT No	LOAD
B	SP20A	2x2.5 + 1x2.5 E/W 20	1-1	PLUGS PANEL SET 1		2000 W
R	SP20A	2x2.5 + 1x2.5 E/W 20	1-2	PLUGS PANEL SET 2		2000 W
W	SP20A	2x2.5 + 1x2.5 E/W 20	1-3	PLUGS PANEL SET 3		2000 W
B	SP20A	2x2.5 + 1x2.5 E/W 20	1-4	PLUGS PANEL SET 4		2000 W
R	SP20A	2x2.5 + 1x2.5 E/W 20	1-5	PLUGS PANEL SET 5		2000 W
W	SP20A	2x2.5 + 1x2.5 E/W 20	1-6	PLUGS PANEL SET 6		2000 W
B	SP20A	2x2.5 + 1x2.5 E/W 20	1-7	PLUGS PANEL SET 7		2000 W
R	SP20A	2x2.5 + 1x2.5 E/W 20	1-8	PLUGS PANEL SET 8		2000 W
W	SP20A	2x2.5 + 1x2.5 E/W 20	1-9	PLUGS PANEL SET 9		2000 W
B	SP20A	2x2.5 + 1x2.5 E/W 20	1-10	PLUGS PANEL SET 10		2000 W
R	SP20A	2x2.5 + 1x2.5 E/W 20	1-11	PLUGS PANEL SET 11		2000 W
W	SP20A	2x2.5 + 1x2.5 E/W 20	1-12	PLUGS PANEL SET 12		2000 W

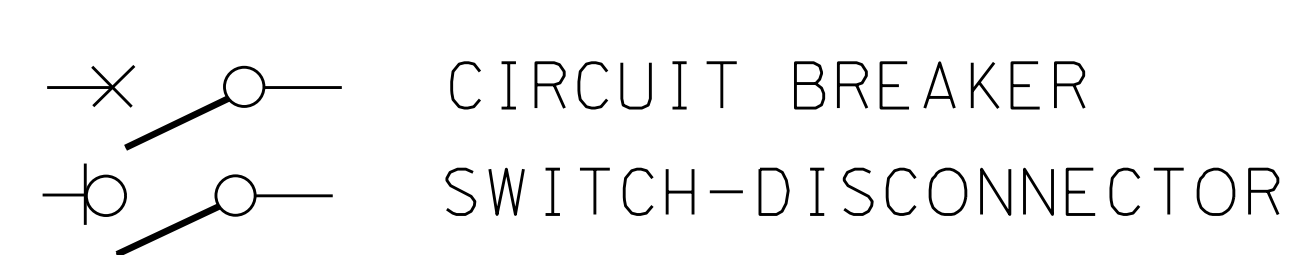
VOLTAGE: 400/230V AC  
BREAKING CAPACITY: 6KA  
CURRENT I<sub>n</sub>: 41.69A

SHROUDED BUSBARS ON INSULATORS



1-13	SURGE ARRESTORS					
------	-----------------	--	--	--	--	--

ELECTRICAL LEGEND:  
(IN ACCORDANCE WITH NRS002)



**FINAL DESIGN  
FOR CONSTRUCTION**

REV	REVISION DESCRIPTION	DRAWN	CHKD	AUTH	DATE	REFERENCE DRAWINGS	
APPROVED BY	 National Transmission Company South Africa SOC Ltd Reg No 2021/539129/30	<b>SIMMERPAN COMPLEX</b> LEGACY LAB SCHEMATIC DIAGRAM LAYOUT					National Transmission Company South Africa SOC Ltd Reg No 2021/539129/30
DATE: 04/12/2025							
CHECKED BY							
DATE: 04/12/2025							
DRAWN BY	<b>SIMCO25P02-SE-E64</b>					SHEET NUMBER <b>3</b>	REVISION <b>0</b>
DATE: 02/11/2025							
SCALE AS SHOWN							

1 2 3 4 5 6 7 8 9 10 11 12 SIZE GROOTTE A2L