

GENERAL NOTES

- CONCRETE NOTES:
- CONCRETE GRADES:
 - STRUCTURAL CONCRETE 30MPa/19mm/A
 - BLINDING LAYER TO ALL FOUNDATIONS 10MPa/13mm
 - ALL EXPOSED CONCRETE EDGES TO BE CHAMFERED 25 x 25 mm.
 - EXPOSED CONCRETE SURFACES TO BE WOOD FLOAT FINISHED, UNLESS OTHERWISE SPECIFIED.
 - REQUIRED BEARING CAPACITY: 150kPa (55kPa/mm) OR U.O.N
 - CONCRETE COVER TO REINFORCEMENT
 - TOP AND SIDES = 50mm
 - BOTTOM = 50mm
 - NOTE: WHERE CONCRETE TO FOUNDATIONS ARE CAST DIRECTLY AGAINST EXCAVATIONS THE COVER IS TO BE INCREASED TO 75mm BY ADDING TO THE OVERALL CONCRETE DIMENSION.
 - REBAR LAP LENGTH = 40 x DIAMETER BAR

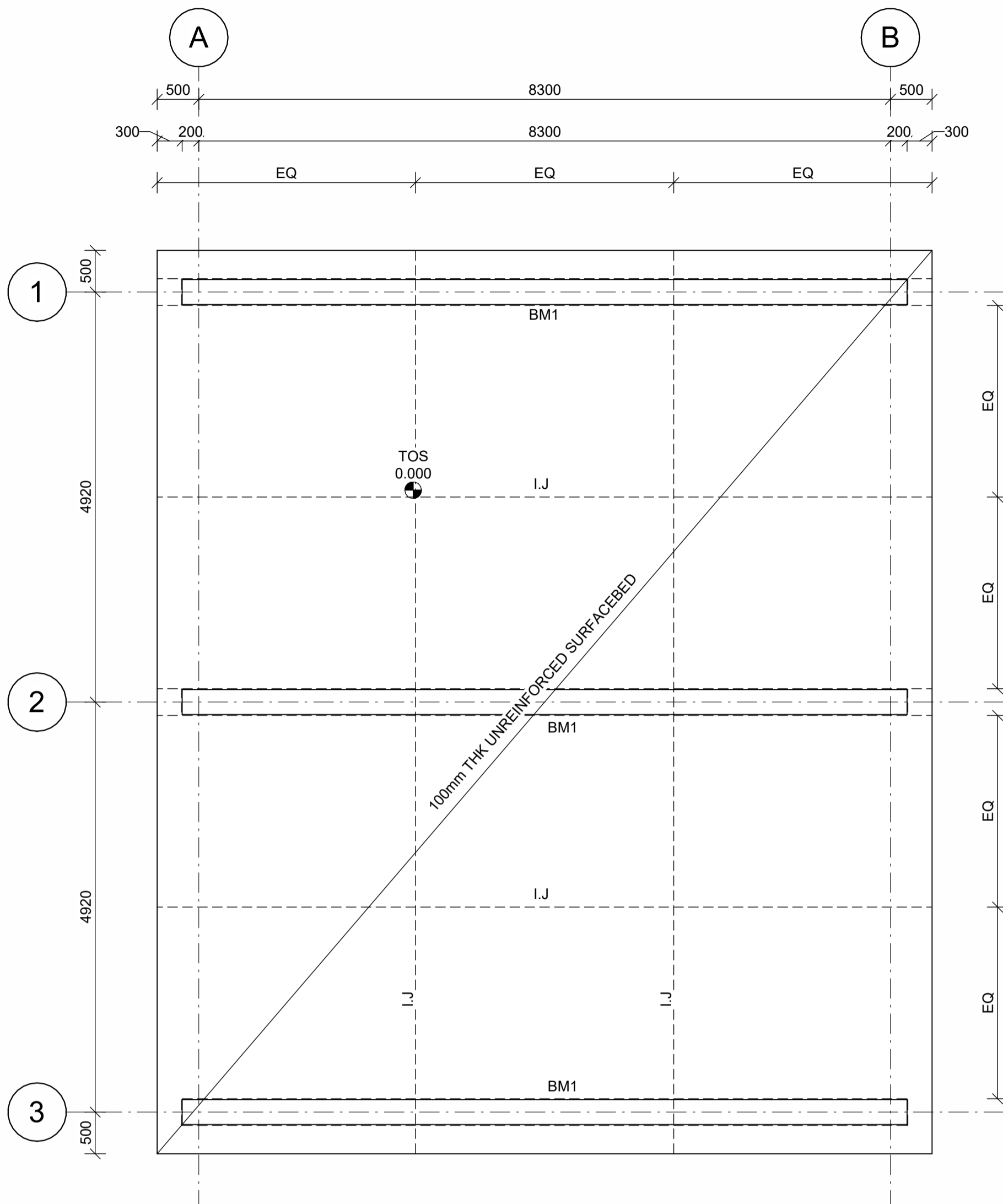
RC BEAMS

TYPE	DESCRIPTION	No. OFF	VOLUME
BM1	300 x 400mm	3	2.35 m ³
TOTAL			2.35 m ³

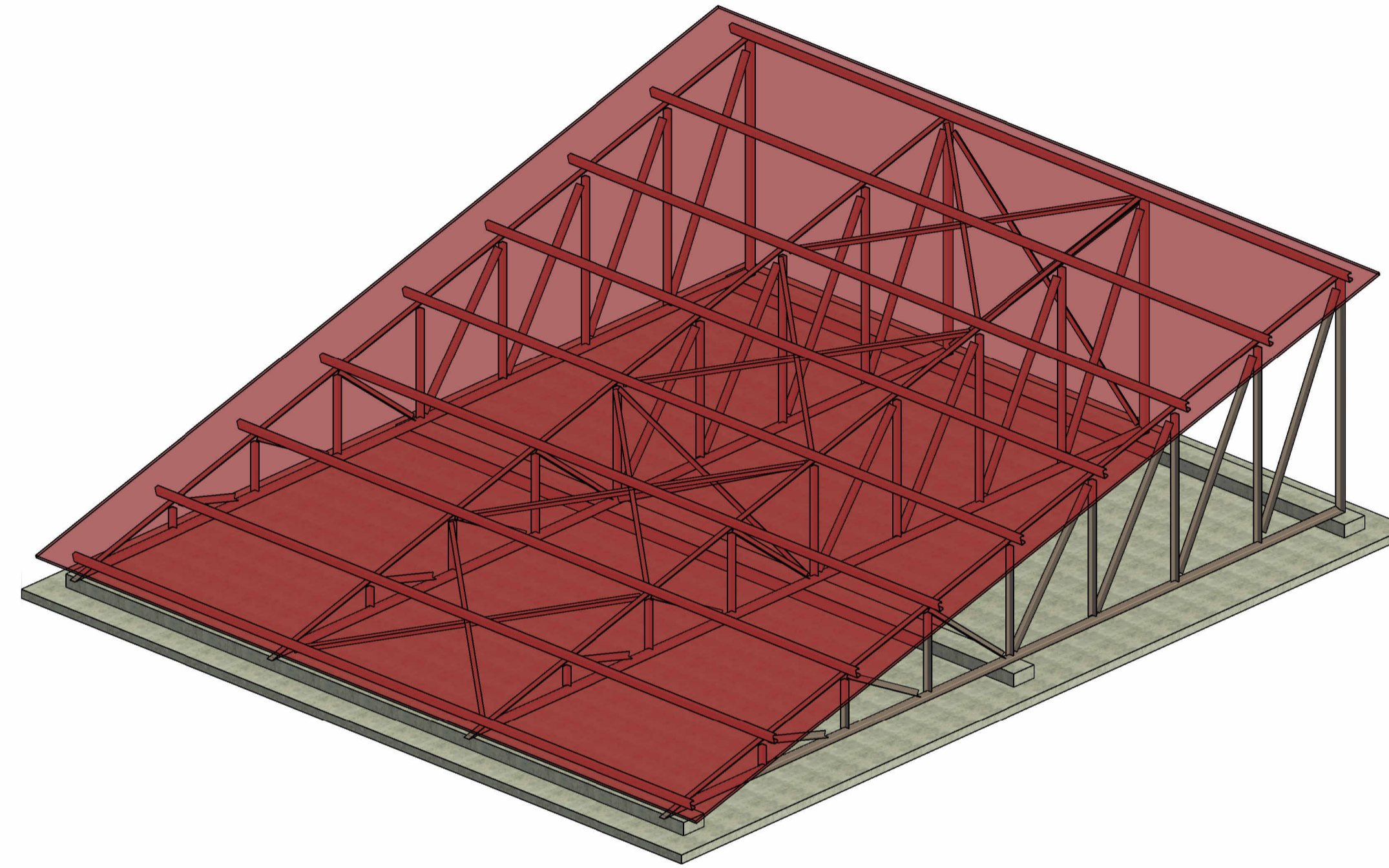
SURFACE BEDS

DESCRIPTION	AREA	VOLUME
100mm THK RC SLAB	101 m ²	10.08 m ³
TOTAL	101 m ²	10.08 m ³

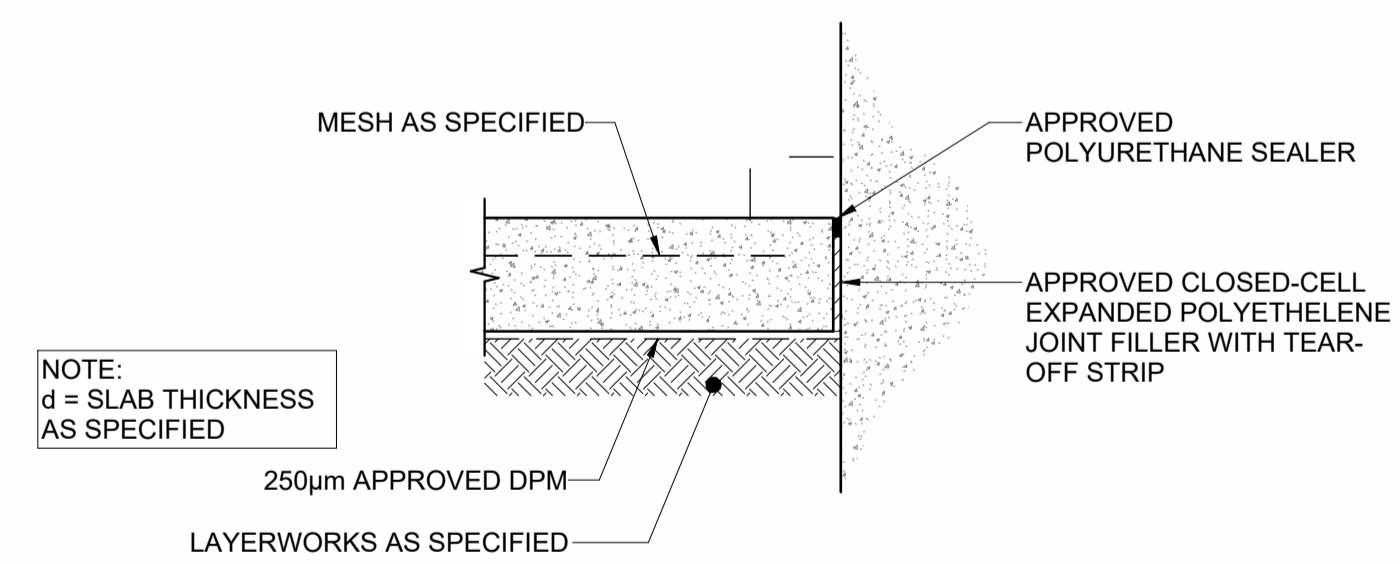
MEMBER	NO OF	NR. BARS	DIA	CUT LENGTH	TOTAL	MARK	SC	A	B	C	D	E	r	kg
BM1														
BM1	3	30	Y10	1200	90	01	60	300	200	0	0	0	0	67
BM1	3	8	Y10	4800	24	02	37	300	4490	0	0	0	0	72
		8	10	12	16	20	25	32	40	TOTAL				
		0	137	0	0	0	0	0	0	0	0	0	0	137
TOTAL	0	137	0	0	0	0	0	0	0	0	0	0	0	137



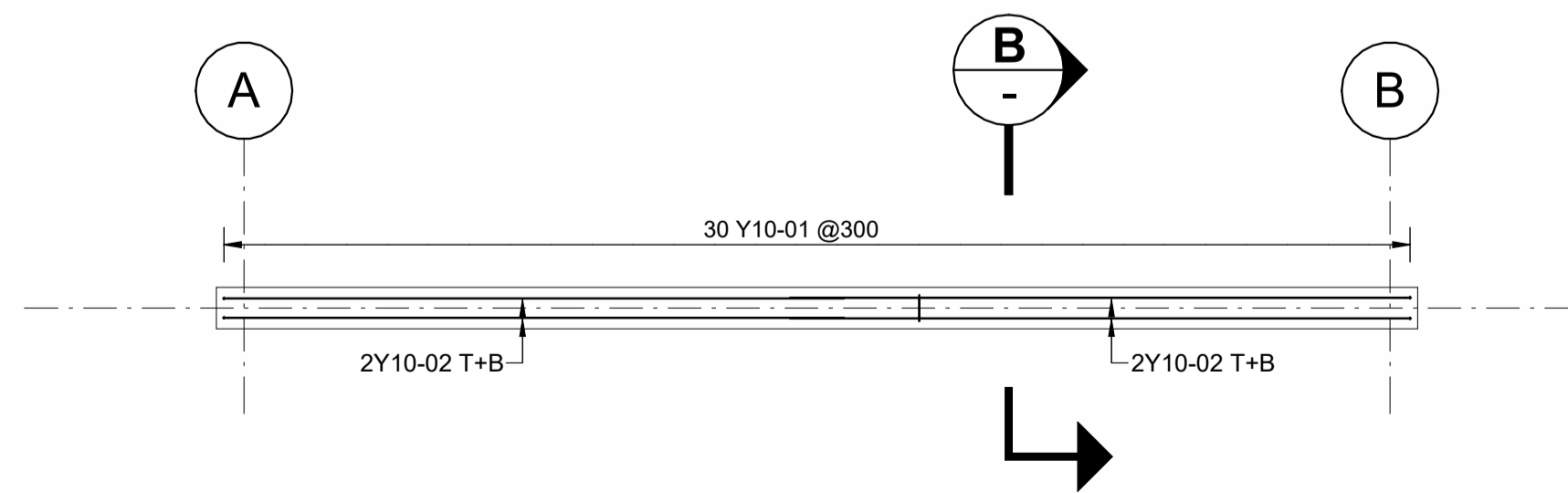
SURFACE BED LAYOUT
SCALE 1 : 50



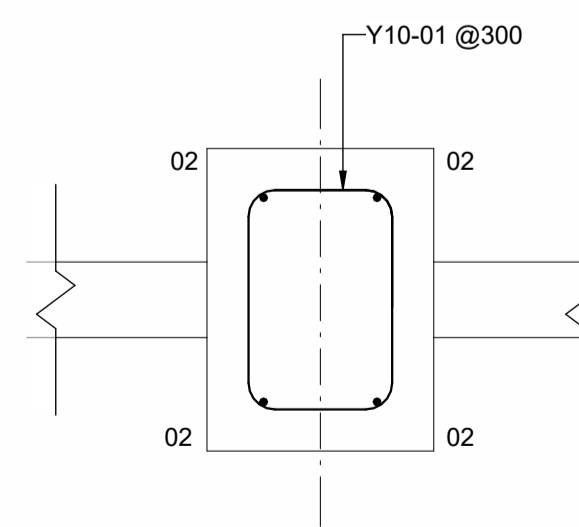
3D PERSPECTIVE
SCALE



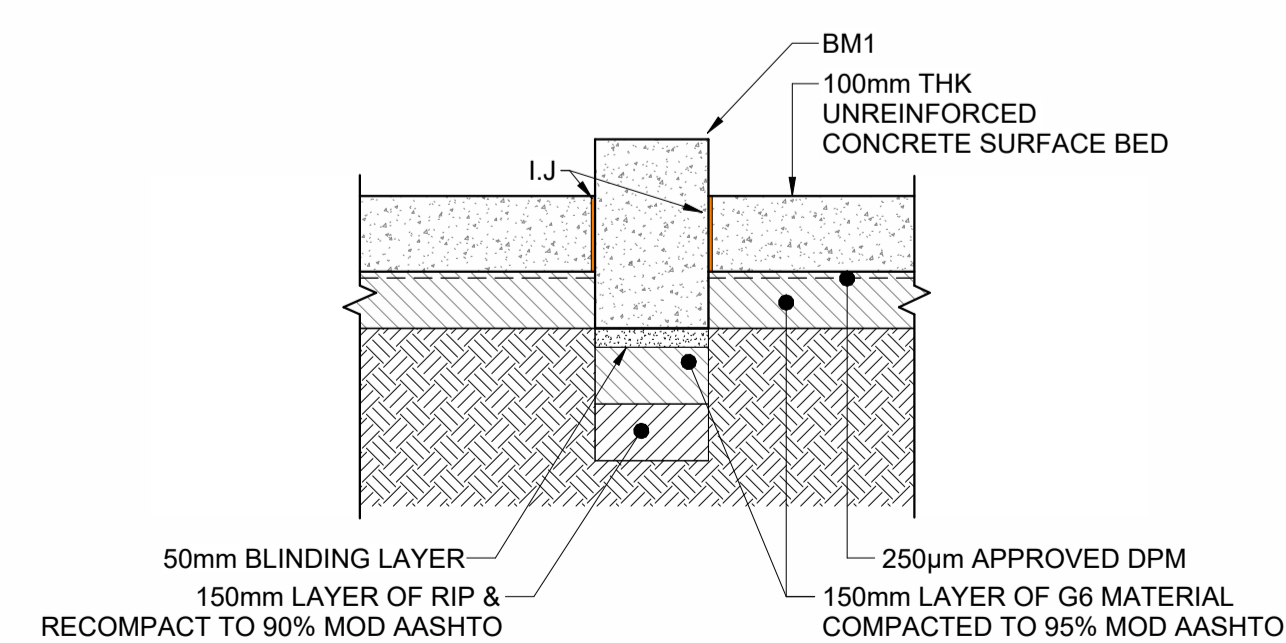
ISOLATION JOINT AGAINST CONCRETE (I,J)
SCALE 1 : 10



REBAR LAYOUT
SCALE 1 : 50



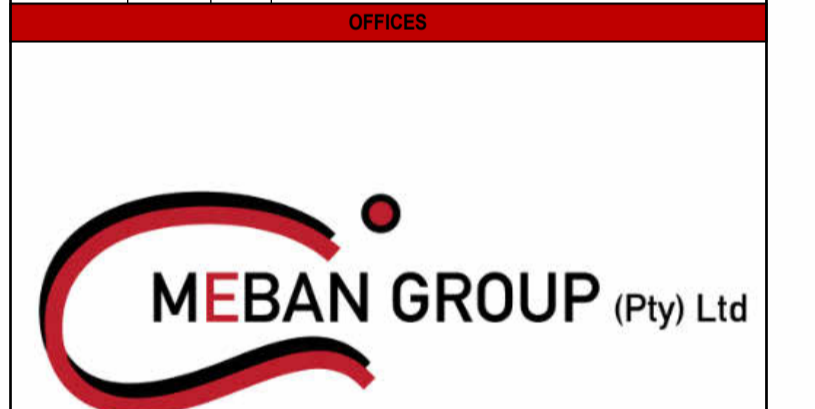
SECTION B
SCALE 1 : 10



TYPICAL LAYERWORKS DETAIL
SCALE 1 : 20

DO NOT SCALE DRAWING

REFERENCE DRAWINGS			
NUMBER	DRAWING DESCRIPTION		
DATE	INITIAL	REV	REVISION DESCRIPTION
26-02-12	AA		ISSUED FOR TENDER



PROJECT
IKHALA TVET SOLAR FARM TRAINING FACILITY

DRAWING TITLE
KLIP LOK ROOF SHEETING STRUCTURE - CONCRETE LAYOUT AND REINFORCEMENT

SCALE	As indicated	DRAWN	BH
DESIGNED	BH	CHECKED	NM
PLAN NUMBER	REV. NO.	SHEET SIZE	
0106-ST-02-01	AA	A1	