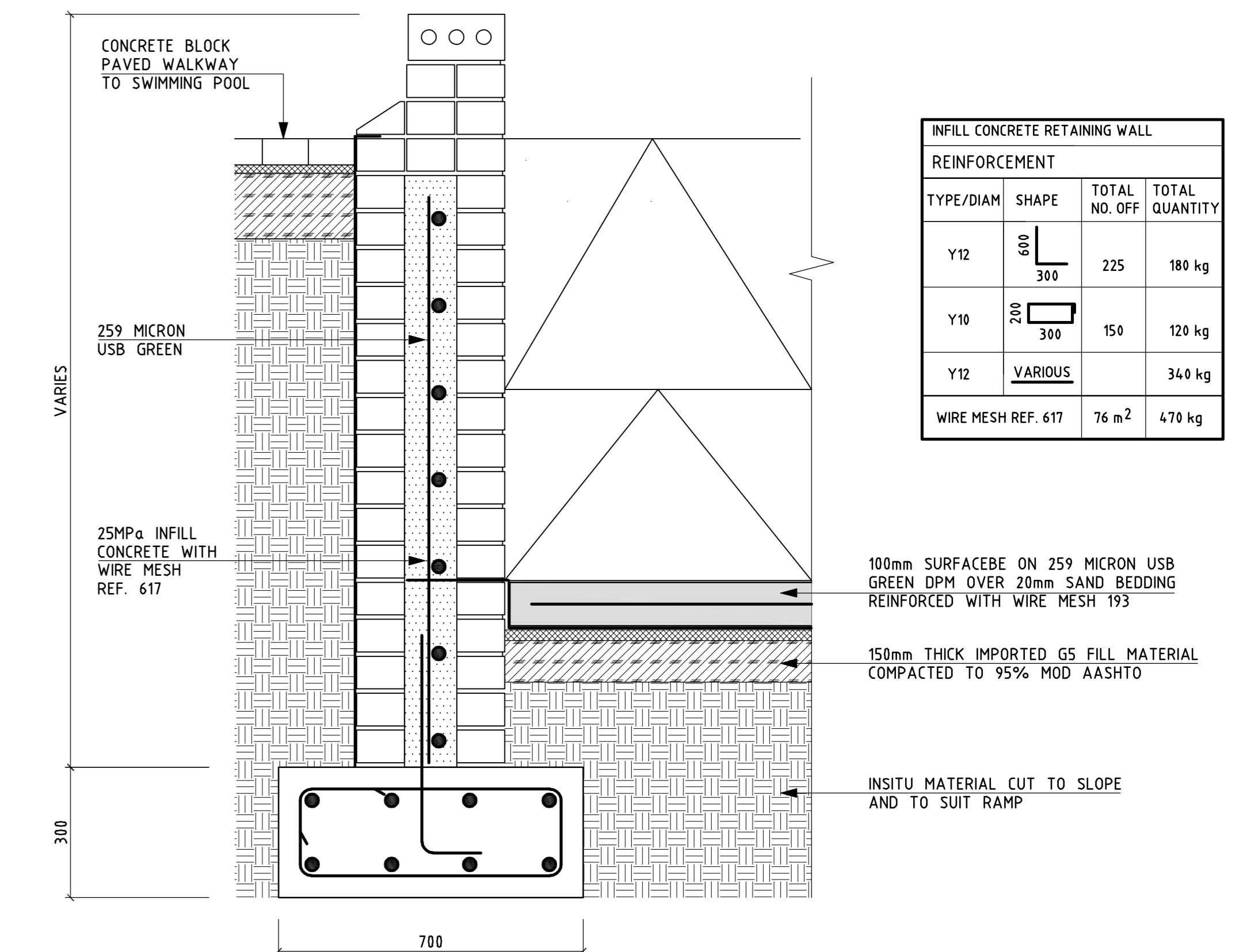


CONCRETE BLOCK PAVING AND RAMPS - LAYOUT PLAN  
SCALE 1:100

NOTES: WALL CONSTRUCTION PROCEDURE

FIX WALL REINFORCEMENT AND BUILD UP BRICKWORK MAX. 4 COURSES AT A TIME. ALLOW A MINIMUM PERIOD OF THREE DAYS AFTER CONSTRUCTION OF BRICKWORK THEN PLACE 25 MPa CONCRETE INFILL CONCRETE TO BE SLIGHTLY VIBRATED.

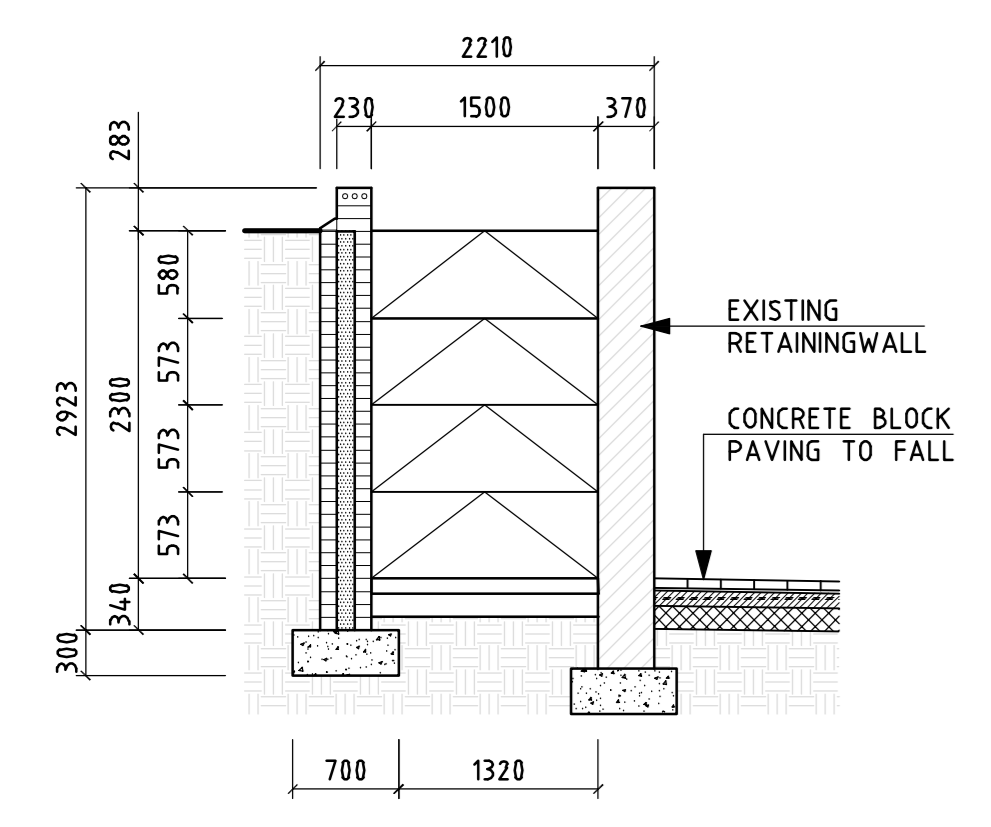


INFILL CONCRETE RETAINING WALL REINFORCEMENT				
TYPE/DIAM	SHAPE	TOTAL NO. OFF	TOTAL QUANTITY	
Y12	600	225	180 kg	
Y10	300	150	120 kg	
Y12	VARIOUS		340 kg	
WIRE MESH REF. 617		76 m <sup>2</sup>	470 kg	

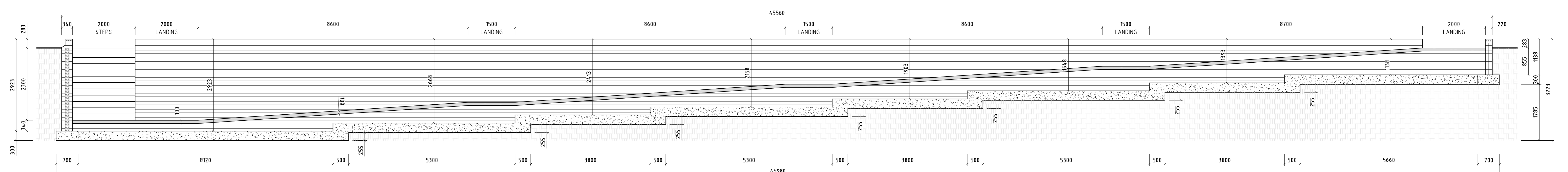
RAMP RETAINING WALL (TYPICAL)  
SCALE 1:10

CAST INSITU CONCRETE PAVED WALKWAYS: LAYER SPECIFICATION			
No.	DESCRIPTION	THICKNESS	COMPACTION
1	20MPa CONCRETE REINFORCED WITH WIRE MESH REF. 193	100 mm	93% MOD ASSHTO
2	ROADBED PREPARATION	150 mm	90% MOD ASSHTO

BLOCK PAVED WALKWAYS: LAYER SPECIFICATION			
No.	DESCRIPTION	THICKNESS	COMPACTION
1	CONCRETE PAVING BLOCKS	60 mm	-
2	SAND BEDDING	25 mm	-
3	G2 MATERIAL FROM COMMERCIAL SOURCE	100 mm	93% MOD ASSHTO
4	ROADBED PREPARATION	150 mm	90% MOD ASSHTO



RAMP - CROSS SECTION  
SCALE 1:50



RAMP - LONGITUDINAL SECTION  
SCALE 1:50

LIST OF REFERENCE DRAWINGS				<b>AS BUILT</b>		Continued from:-		Designed by:- EM CHRWA Pr. Eng		CLIENT:  UMZIMVUBU MUNICIPALITY PROVINCE OF THE EASTERN CAPE		Designed by:-  MATAYA SPECIALIST ENGINEERS		PROJECT: CONTRACT No. UMZ/2022-23/INFRA/CAP/29 CONSTRUCTION OF MT AYLIFF MPC - PHASE 5		STAKED km DISTANCE: -		SHEET 1 OF 1	
AMENDMENTS				Supervising Engineer: _____ Date: _____		Continued on:-		Checked by:- EM CHRWA Pr. Eng		813 MAIN STREET KWABAKA 5200 TEL: 039 255 8500		149 HERRAY ROAD HAYFIELD PIETERMARITZBURG 3214 TEL: 033 324 1285 CELL: 082 734 4449		PMU Manager: _____		SCALE: AS SHOWN		PLAN No.:- MAT-036-C-001	
DRAWING NO: _____ DESCRIPTION: _____				Supervising Authority: _____		Cross Section No:-		Drawn by:- A. NYANGA		PRIVATE BAG X9120 MOUNT FRERE 5200 FAX: 039 255 0167		05-08-2022 Date: _____		Head: Infrastructure		CONCRETE BLOCK PAVING AND RAMPS LAYOUT PLAN AND SECTIONS		REV. A	
T 05-08-2022 ISSUED FOR TENDER				E.M.C. E.M.C.		Design Plan No:-		Checked by:- EM CHRWA Pr. Eng											
Symbol Date Description Checked Signed						Survey Plan No:-		Date of approval:- 05-08-2022											