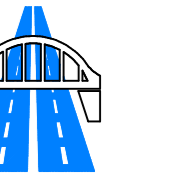
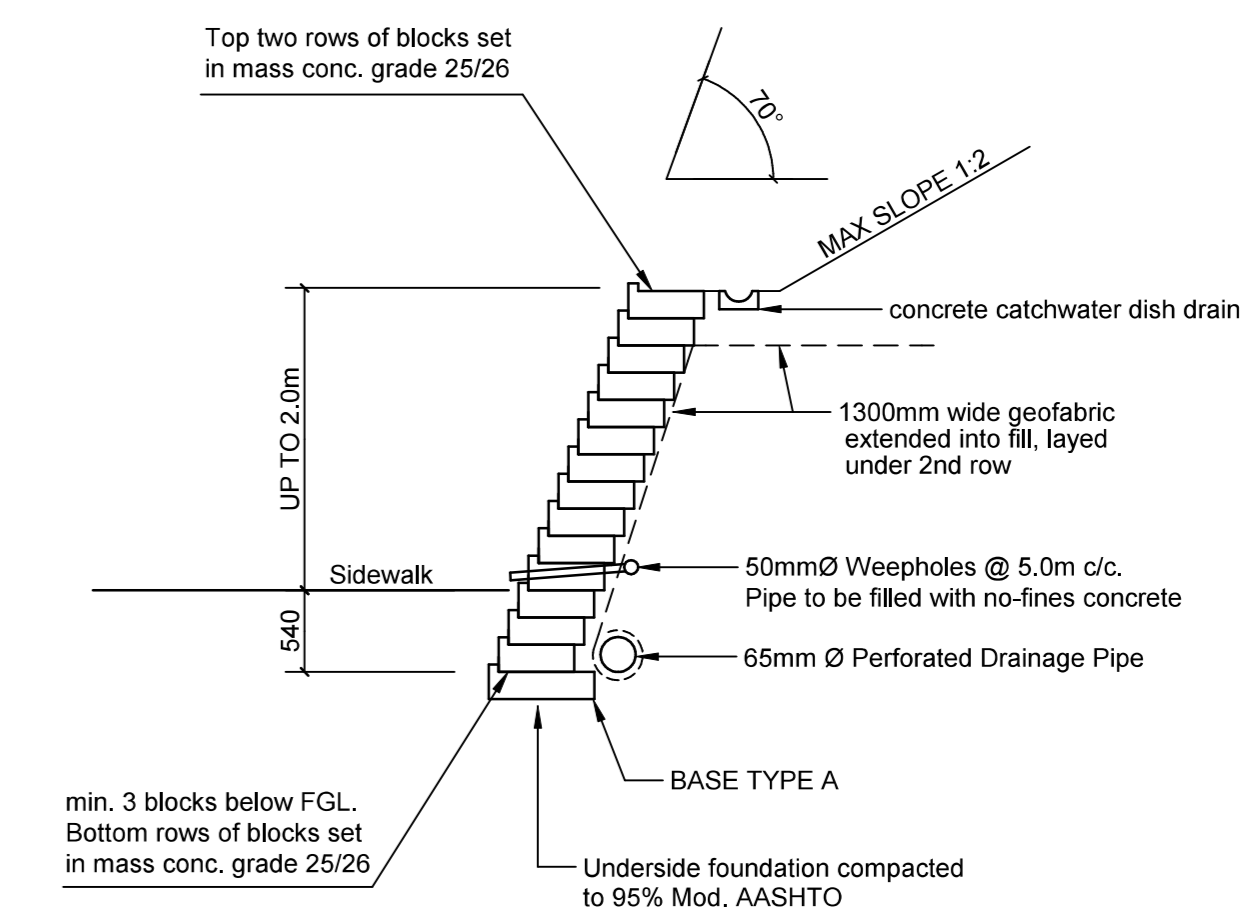




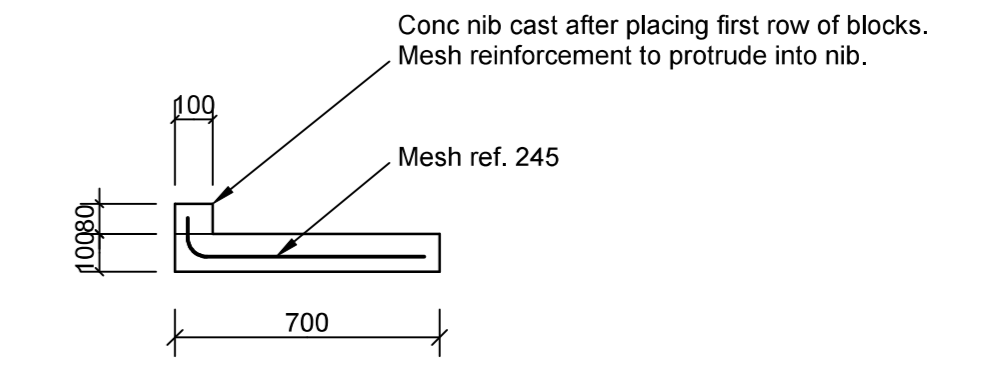
ENGINEERING UNIT
ROADS PROVISION DEPARTMENT



POINT	Y COORD	X COORD	LEVEL
AS1	6645.154	3292143.979	285.992
AS2	6578.947	3292161.890	285.979
AS3	6472.040	3292210.908	281.481
AS4	6574.513	3292128.186	282.908
L230	5987.367	3292295.188	285.208
L232	6862.913	3291542.404	291.107



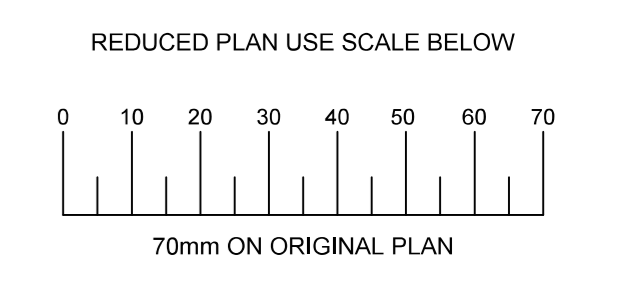
TYPICAL WALL 0.0m TO 2.0m HIGH
Scale 1 : 50



BASE TYPE A
Scale 1 : 20

- RETAINING WALL NOTES:**
- BLOCK TYPE: GEOLOK BLOCKS OR SIMILAR APPROVED BLOCKS TO BE SANS 696:2012 CERTIFIED.
 - ALL FOUNDATION TRENCHES TO BE APPROVED BY THE ENGINEER ON SITE PRIOR TO CASTING OF CONCRETE.
 - BOTTOM ROW OF BLOCKS TO BE PLACED WHILE THE BASE CONCRETE IS STILL WORKABLE.
 - FILL BEHIND WALL TO BE COMPACTED TO 95% Mod. AASHTO AND AS PER PART 00 OF eTHEKWINI'S STANDARD ENGINEERING SPECIFICATIONS (YELLOW PAGES). BENCHING OF EXISTING AND/OR CUT SLOPES MAY BE REQUIRED WHERE NECESSARY.
 - CONCRETE IN WALL BASE - GR. 25/26 OR AS SPECIFIED
 - CEMENT STABILISED FILL- 12:1 CLEAN COARSE SAND - CEMENT, WELL RAMMED BETWEEN BLOCKS, IN BLOCKS AND 500mm BEHIND BLOCKS AS DETAILED.
 - MINIMUM OF 8 BLOCKS TO BE LAID PER SQ.M. (OR AS PER THE MANUFACTURERS SPECIFICATION).
 - CONTRACTOR TO MAKE ALLOWANCE FOR +/- 73mm "STEP BACK" WITH EACH 200mm STEP UP WHEN SETTING OUT THE BASE. (OR AS PER THE MANUFACTURERS SPECIFICATION).
 - CONTRACTOR TO REFER TO DETAILED SURVEY DRAWINGS FOR THE LOCATION OF SERVICES, PROPERTY BOUNDARIES ETC.
 - LEVELS AND DIMENSIONS INDICATED ON THIS DRAWING ARE ONLY A GUIDE AND THESE NEED TO BE CONFIRMED BY THE ENGINEER ON SITE.
 - POSITION OF RETAINING WALLS TO BE CONFIRMED BY ENGINEER ON SITE.
 - ALL RETAINING WALLS AS PER STRUCTURES DEPARTMENT DETAILS (ISSUED SEPARATELY IF REQUIRED).

PLAN DESCRIPTION	DWG. NO.
CONTINUED FROM	
CONTINUED ON	
CROSS SECTIONS	
TYPICAL CROSS SECTION	
SURVEY LAYOUT	



Revision	Date	Description

NOTE:
No construction work to commence until land and servitude acquisitions have been completed.

Acquisitions completed

Date: _____ Engineer: _____

UNDERGROUND SERVICES CHECKED		
SERVICE	DATE	SIGNATURE
WATER MAINS		
SEWERS		
G.P./G.CABLES		
ELECTRIC CABLES		
S.A.R. CABLES		
E.S.C. CABLES		
CABLES LINE		

NOTE:
Only underground services affected by new construction work are shown. Care must be taken during excavations for road foundations, trenches etc., to avoid damage to underground services such as sewers, electric cables, water mains and conductors. Wherever possible these must be located before work proceeds.

Contract No: 1R-24953

Project Title: UPGRADE OF NDLEBENYE ROAD IN NTUZUMA A WARD 38

Drawing Title: DIMENSIONS, SETTING OUT AND SERVICES PLAN (NDLEBENYE ROAD)

Scales: AS SHOWN

Designed: L.KHUMALO Date: 12 OCTOBER 2023

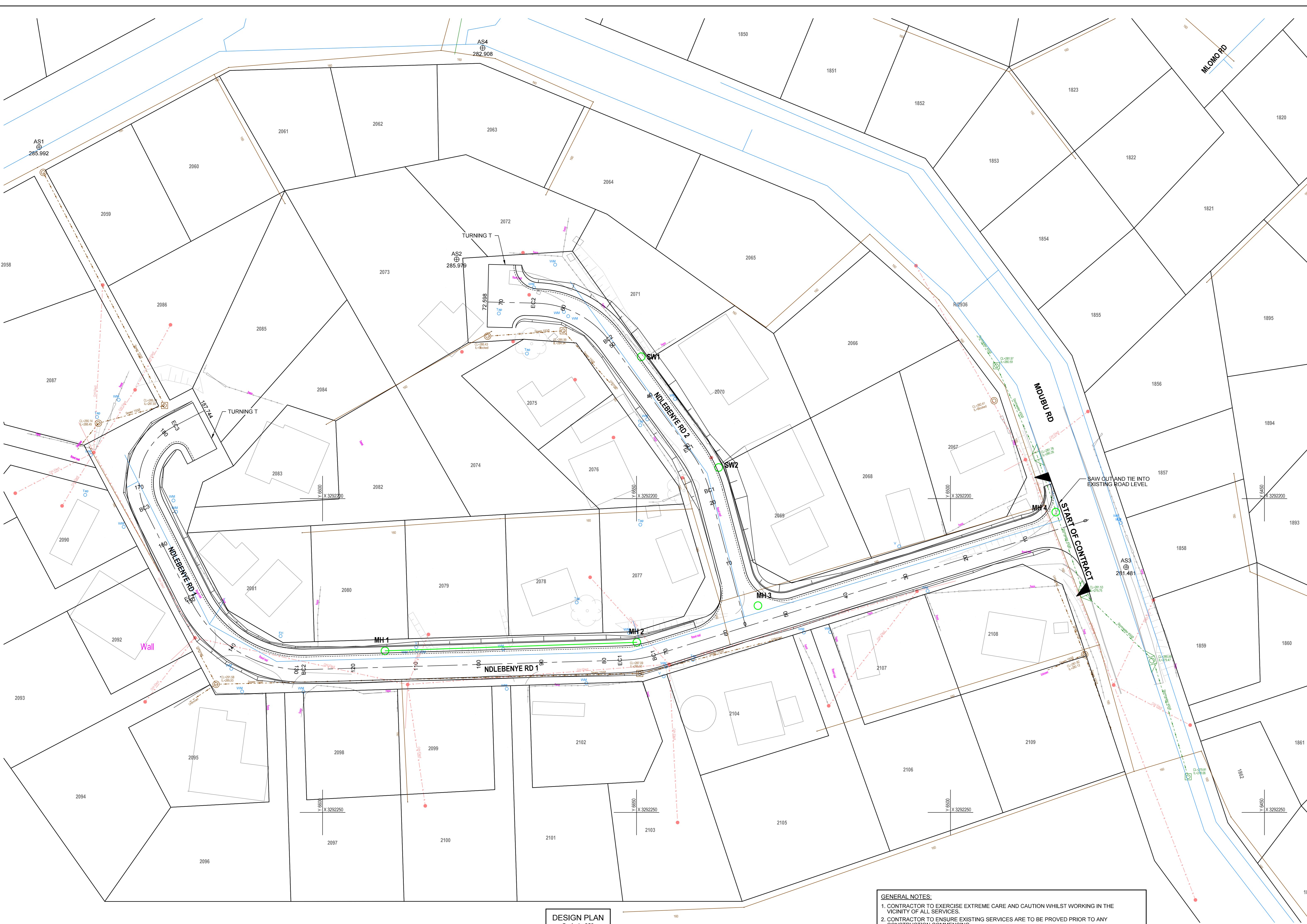
Checked: A.DELLAR Drawn in AllyWindows by: D.NAIDOO

Manager RD (N): _____

DH: RP

T.Zulu Head: Engineering

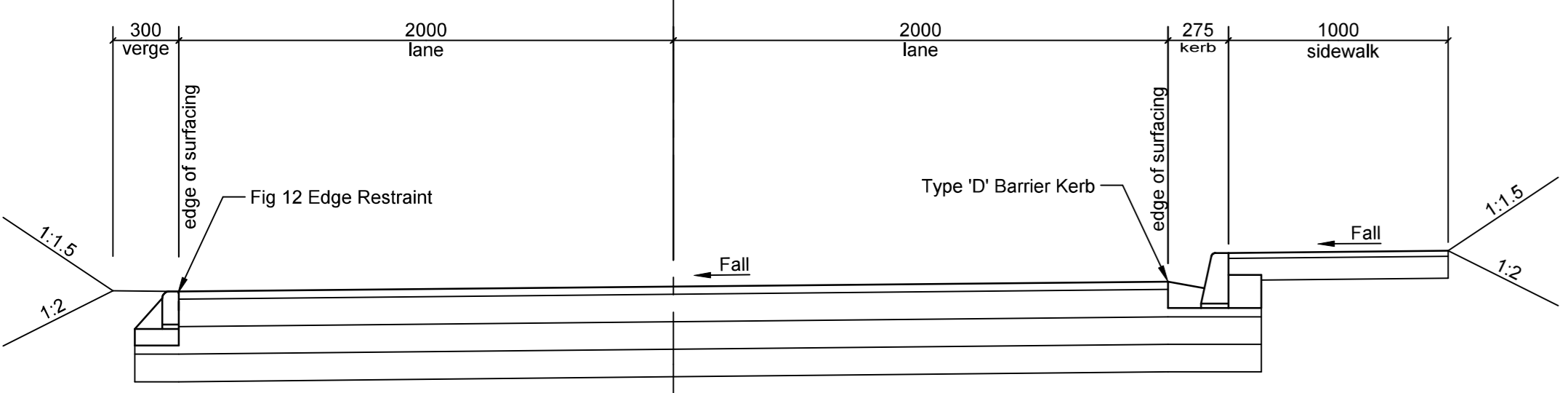
Drawing No: 49293 Sheet 01 of 04 Sheets



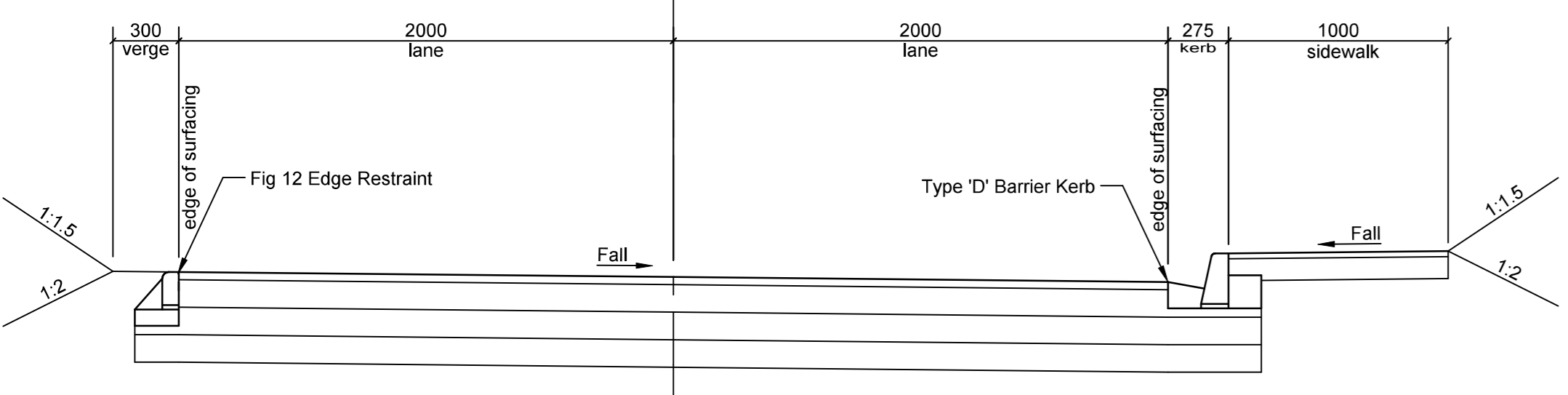
DESIGN PLAN
Scale 1 : 250

- GENERAL NOTES:**
- CONTRACTOR TO EXERCISE EXTREME CARE AND CAUTION WHILST WORKING IN THE VICINITY OF ALL SERVICES.
 - CONTRACTOR TO ENSURE EXISTING SERVICES ARE TO BE PROVED PRIOR TO ANY CONSTRUCTION COMMENCING.
 - CONTRACTOR TO ENSURE THAT ANY BOUNDARY BEACONS DISLODGED ARE TO BE REPLACED IN ITS EXACT POSITION AFTER CONSTRUCTION AT CONTRACTORS OWN COST.
 - CONTRACTOR TO ENSURE EXISTING GRAVES ARE PROTECTED AND NOT DISTURBED.
 - THE COST OF ANY DEVIATIONS (TRAFFIC) NOT PROVIDED OR SHOWN ON THE PLAN AND IN THE SCHEDULE AND REQUIRED BY THE CONTRACTOR TO ENABLE HIM TO COMPLY WITH THE NECESSARY TRAFFIC REQUIREMENTS ETC. SHALL BE AT THE CONTRACTORS OWN EXPENSE.
 - FINAL POSITION AND EXTENT OF BELLMOUTHS TO BE CONFIRMED ON SITE BY ENGINEER.
 - DRIVEWAY ACCESSES TO BE MAINTAINED/REGRADED TO SUIT NEW ROAD LEVELS WHERE REQUIRED. EXTENT OF WORK TO BE DETERMINED ON SITE BY ENGINEER.
 - REMOVAL OF AFFECTED TREES AND FENCES TO BE CONFIRMED ON SITE BY ENGINEER.

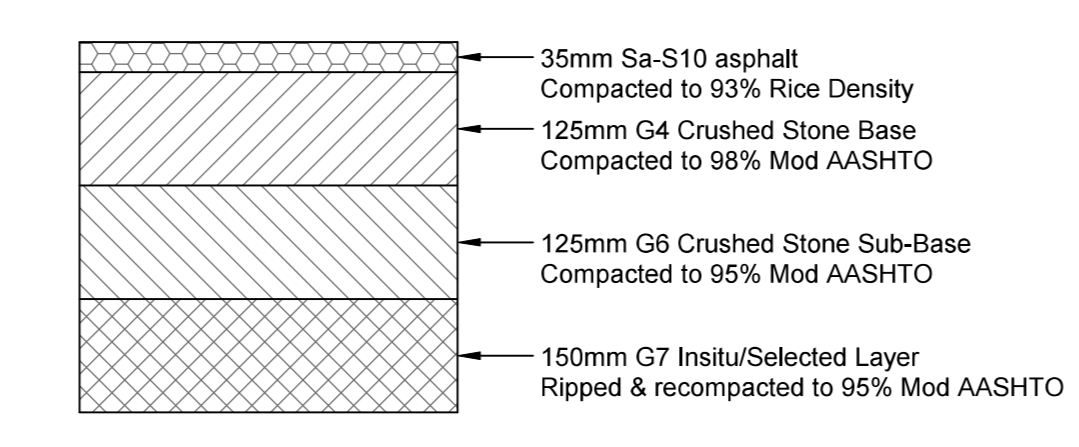
NOTE:
REFER TO GENERAL NOTES ON STD DRG No. 38577



TYPICAL CROSS SECTION (ROAD 1)
Scale 1 : 25



TYPICAL CROSS SECTION (ROAD 2)
Scale 1 : 25



PAVEMENT DESIGN LAYERS
Scale 1 : 10

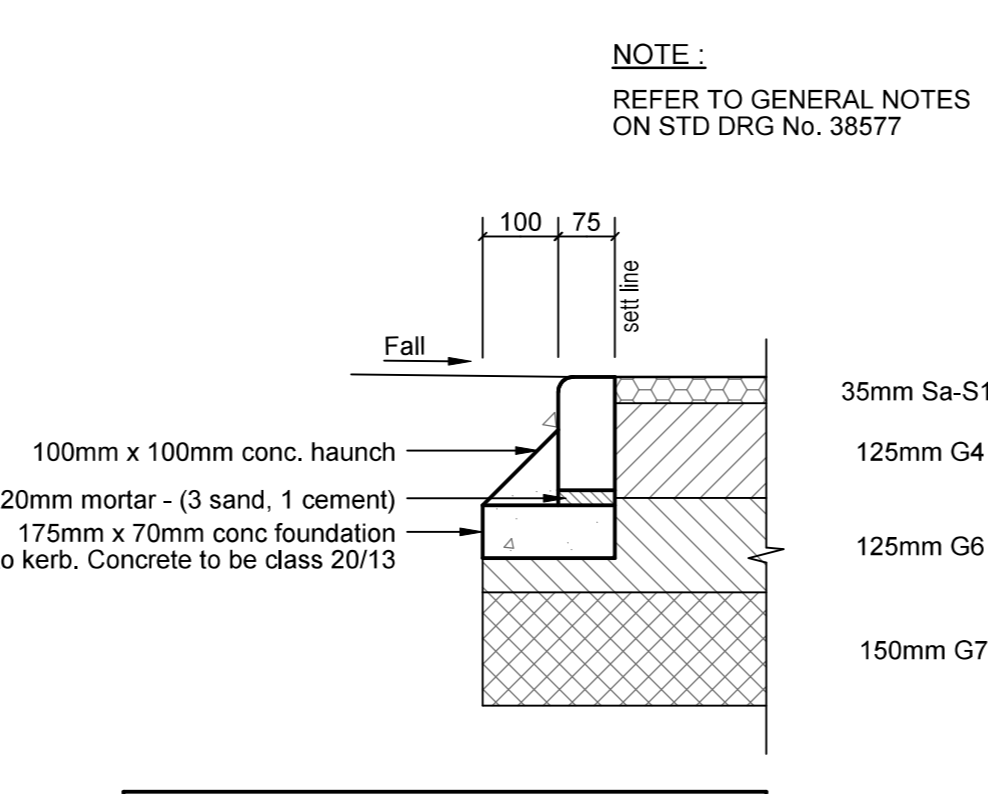
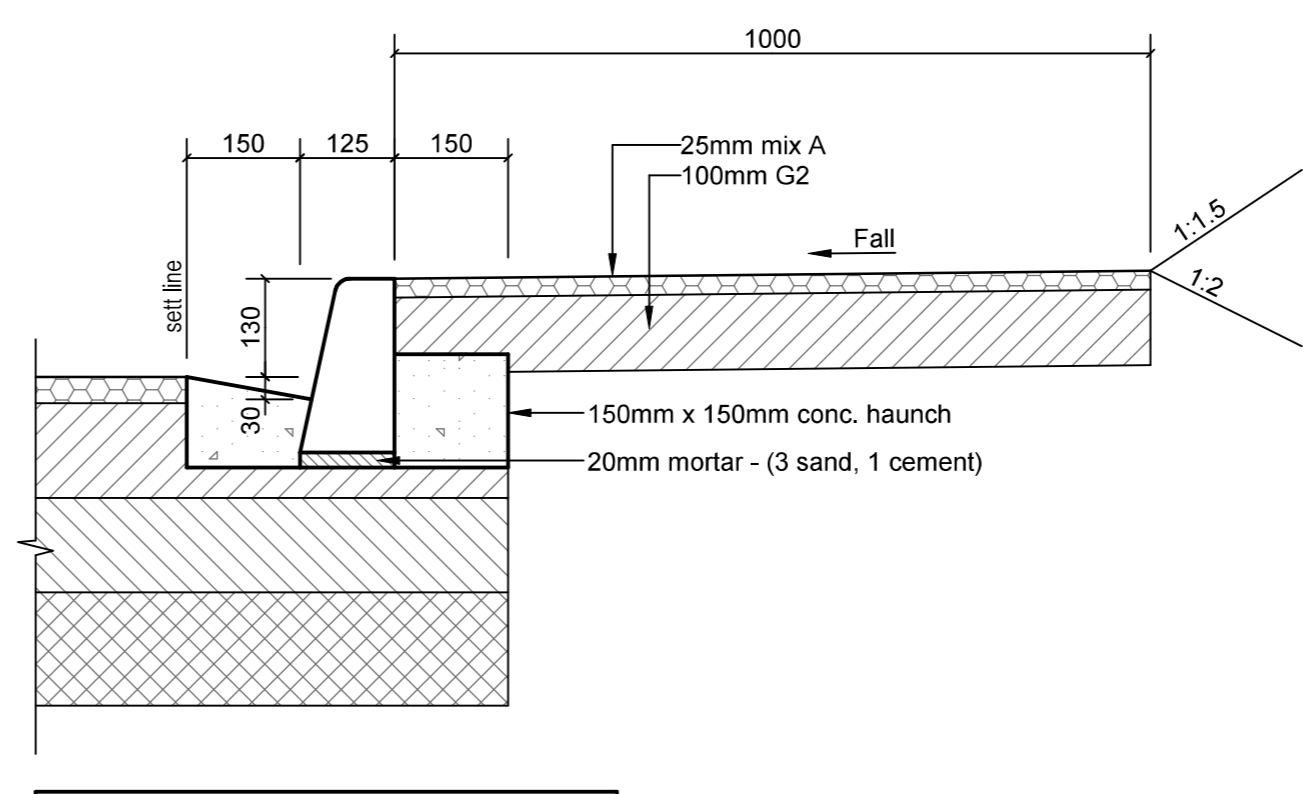


FIG. 12 KERB - EDGE RESTRAINT
Scale 1 : 10



TYPE D BARRIER KERB WITH CAST INSITU 150mm CHANNEL
Scale 1 : 10

FOR TENDER PURPOSES ONLY

New Road Area m²

Unsurfaced to Surfaced km²

AS BUILT

Date: _____ Sign: _____