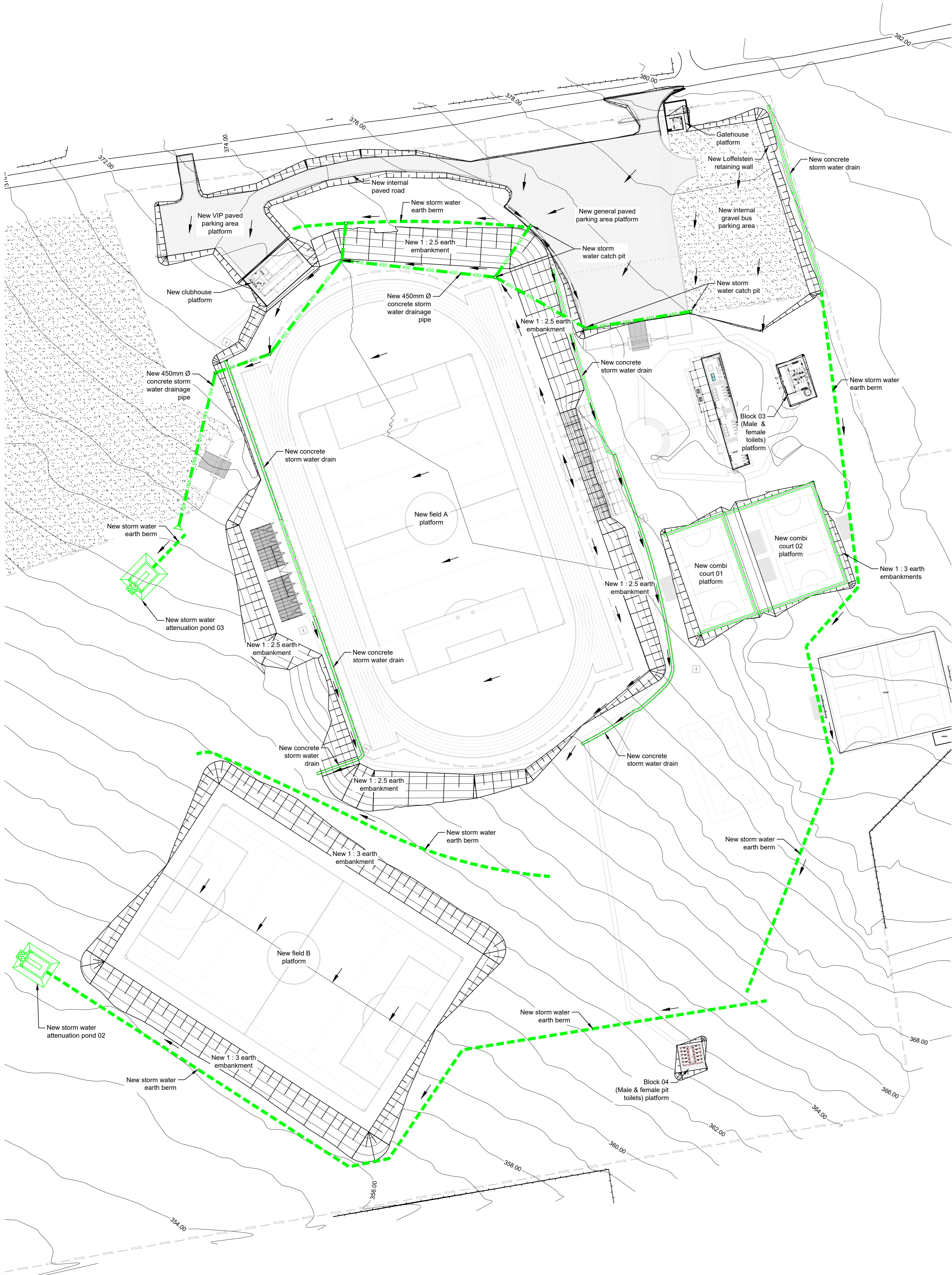


Do not scale off drawing - ASK THE ENGINEER IF UNCERTAIN!
Any discrepancies between any drawings must be clarified before work is continued on site.

- Fence
- Sewer manhole
- 110mm Ø Sewer pipeline Class 34 Heavy Duty
- Storm water catch pit
- 450mm Ø Concrete Storm water pipe D100
- Earth berm
- 110mm Ø HDPE SDR 13.6
- 63mm Ø HDPE SDR 13.6
- 50mm Ø HDPE SDR 13.6
- 50mm Ø HDPE SDR 21



FOR TENDER PURPOSES ONLY

AMENDMENTS			
Rev.	Date	Description	Initials

ECA CONSULTING VRYHEID OFFICE:
 161 High Street | Vryheid | Kwa Zulu Natal | RSA
 vryheid@ecaconsult.co.za
 Tel: +27 (0)34 983 3925
 www.ecaconsult.co.za
Civil and Structural Engineers
 Company Reg.: 2004/019299/07
 ISO Registered 9001:2015

OTHER OFFICES:
 MBOMBELA | GAUTENG | PIETERMARITZBURG | LADYSMITH

Designed and Approved by: Signature: _____
 Name: J.W. Janse v Rensburg
 Designation: PrTechEng
 ECSA Reg.: 201070143 Date: 19 Dec 2024

Project Funder/ Client:
NKOMAZI LOCAL MUNICIPALITY

Approved by Client:
 Name: _____
 Signature: _____ Date: _____

Project:

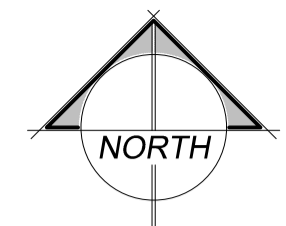
SCHOEMANSDAL SPORTS FACILITY

Drawing description:

EARTHWORKS & STORM WATER PLAN

Drawn: L. Nel Checked: J. J v Rensburg
 Date: 2 Dec 2024 Date: 02 Dec 2024

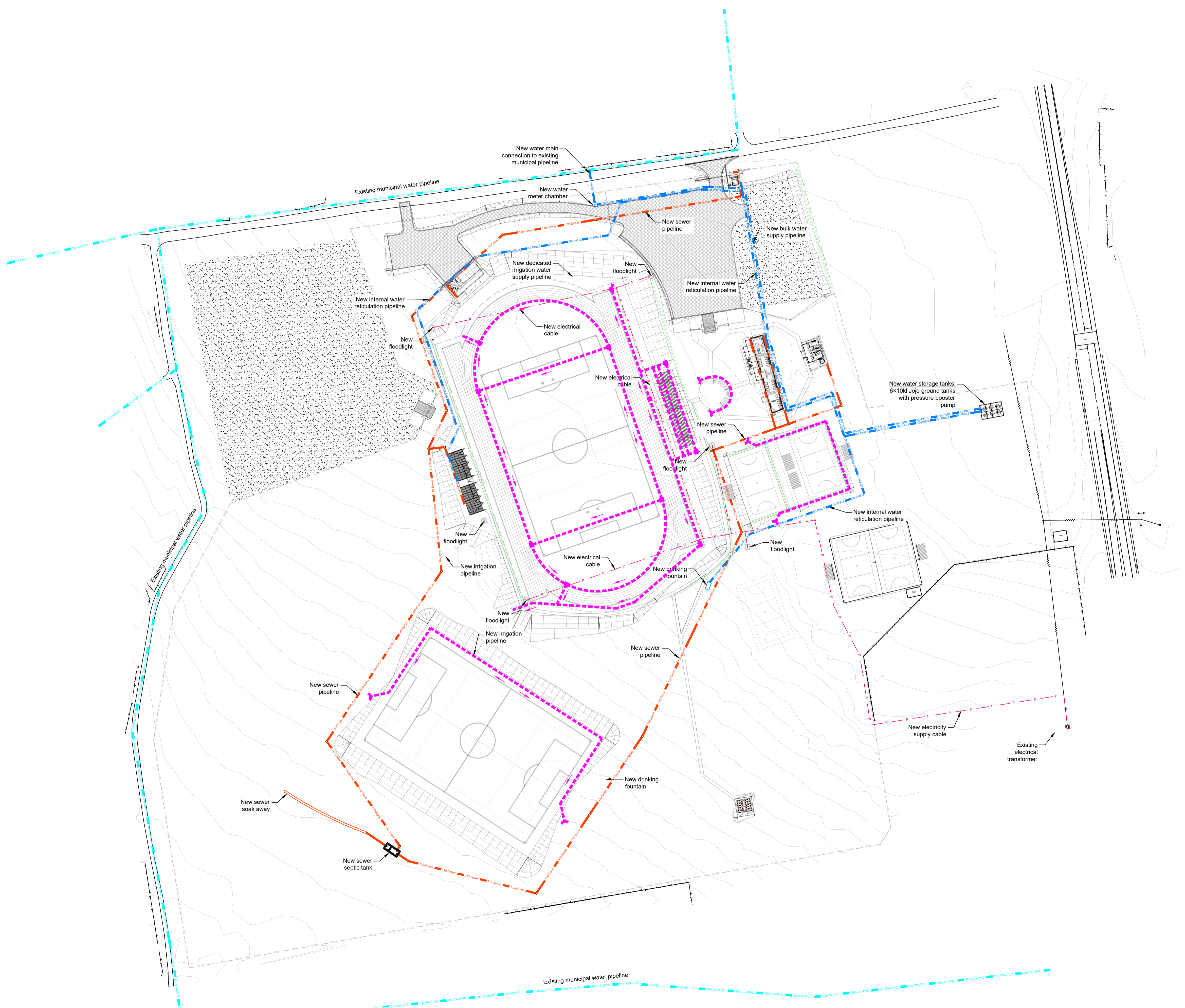
Scale/s: As Shown
 Drawing number: 23-017-M-01-02 Rev.: 00



Do not scale off drawing - ASK THE ENGINEER IF UNCERTAIN!
Any discrepancies between any drawings must be clarified before work is continued on site.

- Fence
- Sewer manhole
- 110mm Ø Sewer pipeline Class 34 Heavy Duty
- Storm water catch pit
- 450mm Ø Concrete Storm water pipe D100
- Earth berm
- 110mm Ø HDPE SDR 13.6
- 63mm Ø HDPE SDR 13.6
- 50mm Ø HDPE SDR 13.6
- 50mm Ø HDPE SDR 21

FOR TENDER PURPOSES ONLY



AMENDMENTS		
Rev.	Date	Description

ECA CONSULTING VRYHEID OFFICE:
161 High Street | Vryheid | Kwa Zulu Natal | RSA
vryheid@ecacconsult.co.za
www.ecacconsult.co.za
Tel: +27 (0)34 983 2825

Civil and Structural Engineers

Company Reg.: 2004/019299/07
ISO Registered 9001:2015

OTHER OFFICES:
MBOMBELA | GAUTENG | PIETERMARITZBURG | LADYSMITH

Designed and Approved by: J.W. Janse v Rensburg Signature: _____
Designation: PrTechEng
ECSA Reg.: 201070143 Date: 31 Jan 2025

Project Funder/ Client:

NKOMAZI LOCAL MUNICIPALITY

Approved by Client:
Name: _____
Signature: _____ Date: _____

Project:

SCHOEMANSDAL SPORTS FACILITY

Drawing description:

ELECTRICAL, SEWER & WATER PLAN

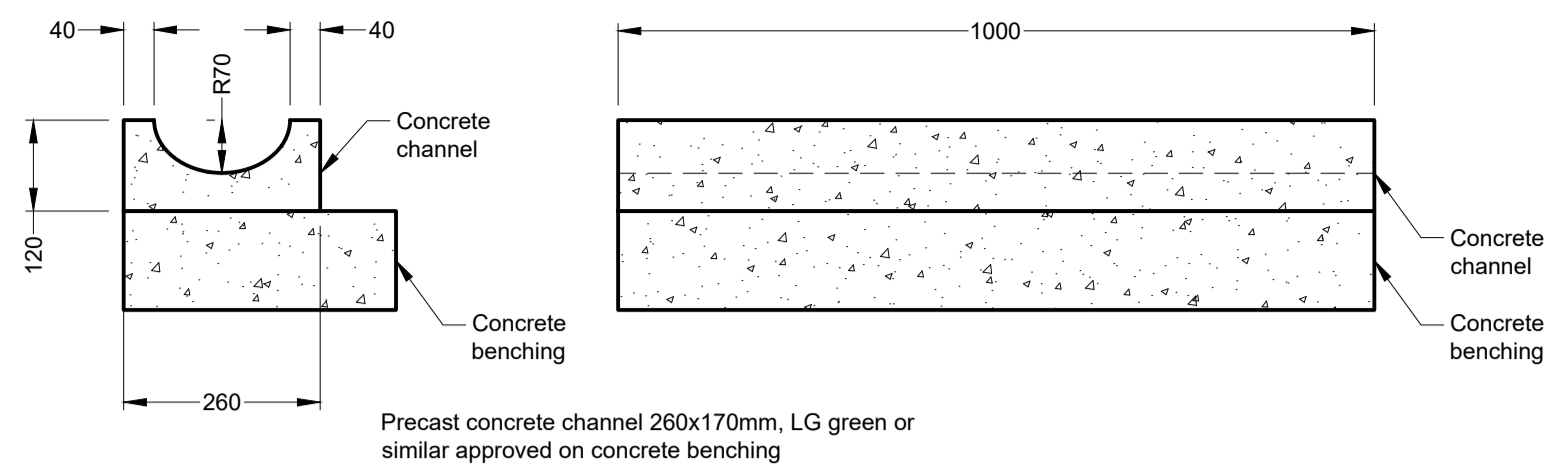
Drawn: L. Nel Checked: J. J v Rensburg

Date: 23 Jan 2025 Date: 02 Dec 2024

Scale/s: As Shown

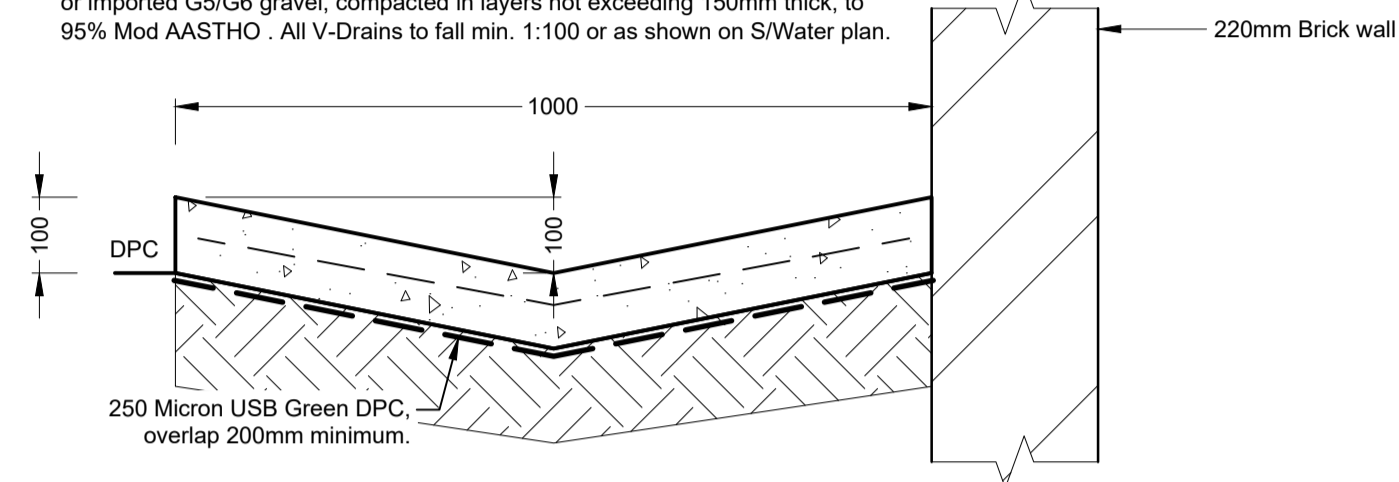
Drawing number: 23-017-M-01-03 Rev.: 00

ELECTRICAL, SEWER & WATER PLAN
Scale 1 : 1 000

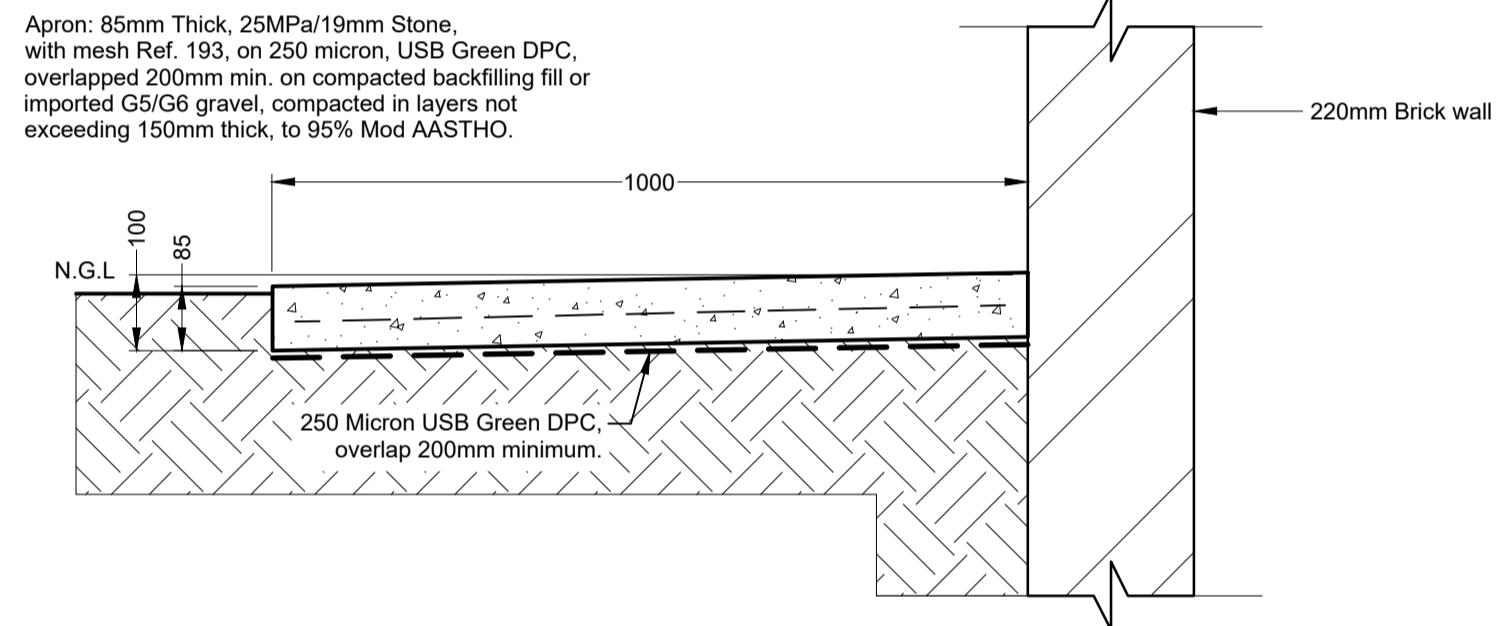


TYPICAL PRECAST CONCRETE CHANNEL
Scale 1:10

V-Drain: 100mm Thick, 25MPa/19mm Stone, with mesh Ref. 193, on 250 micron, USB Green DPC, overlapped 200mm min. on compacted backfilling fill or imported G5/G6 gravel, compacted in layers not exceeding 150mm thick, to 95% Mod AASTHO. All V-Drains to fall min. 1:100 or as shown on S/Water plan.

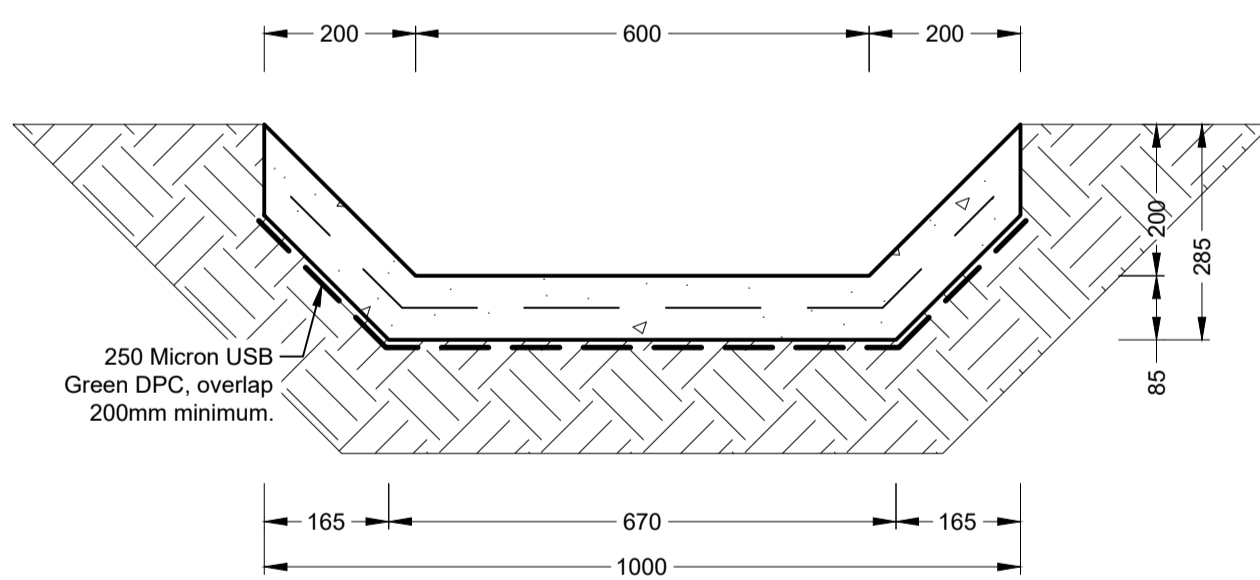


TYPICAL V-DRAIN
Scale 1:10



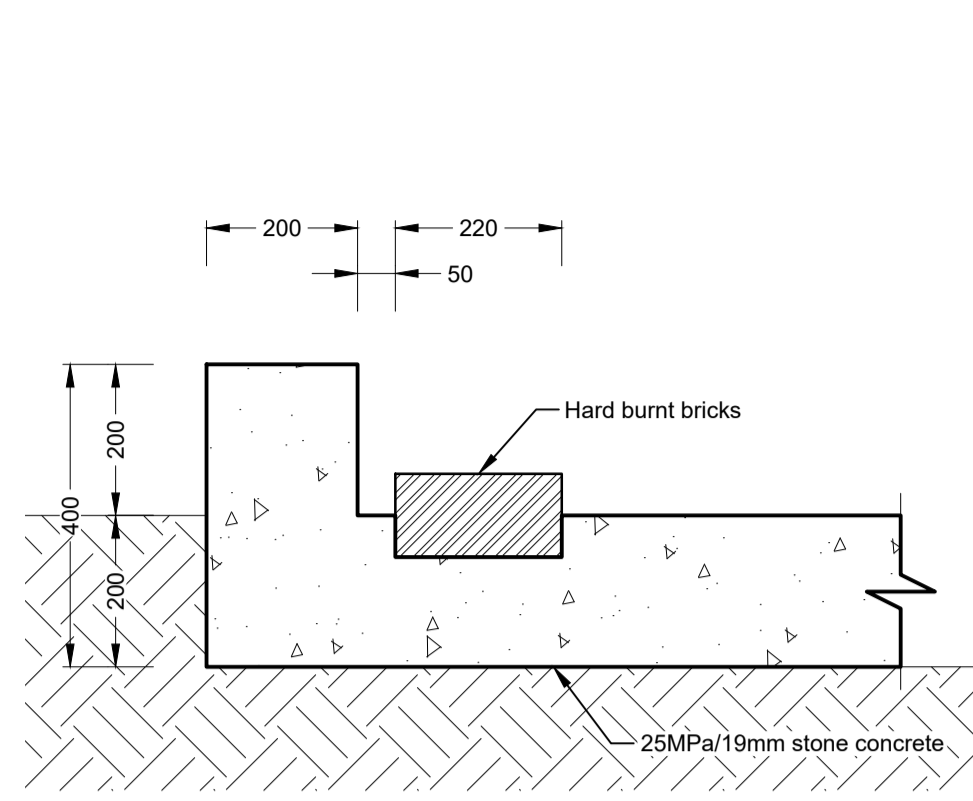
TYPICAL APRON
Scale 1:10

Trapezoidal drain: 85mm Thick, 25MPa/19mm Stone, with mesh Ref. 193, on 250 micron, USB Green DPC, overlapped 200mm min. on compacted backfilling fill or imported G5/G6 gravel, compacted in layers not exceeding 150mm thick, to 95% Mod AASTHO. Trapezoidal Drains to fall min. 1:100 or as shown on S/Water plan.

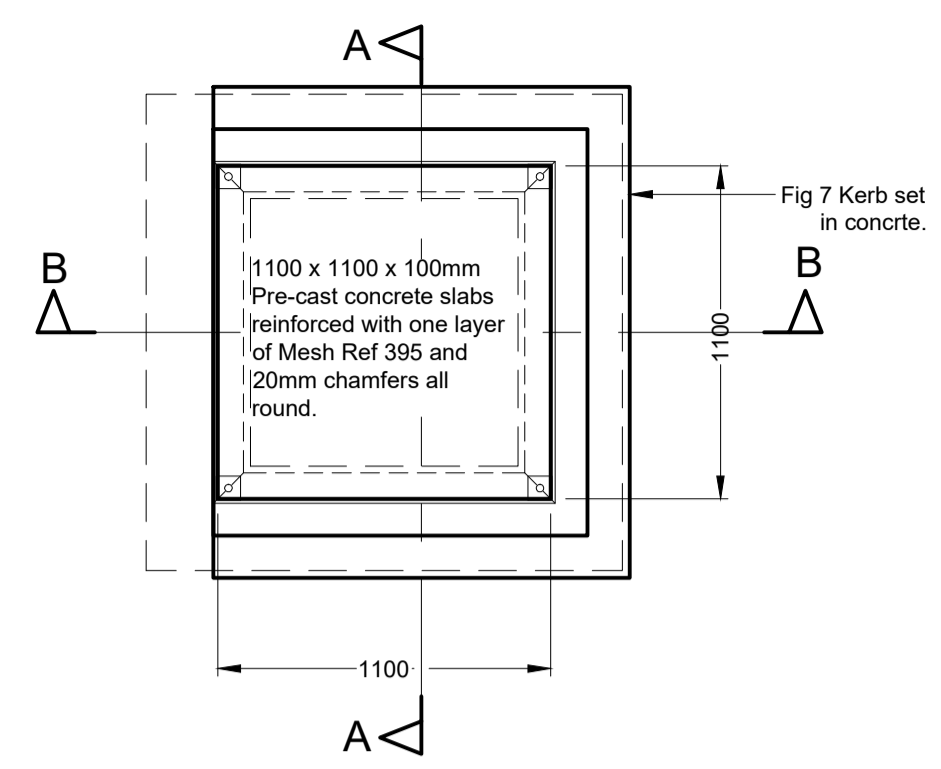


TYPICAL TRAPEZOIDAL DRAIN
Scale 1:10

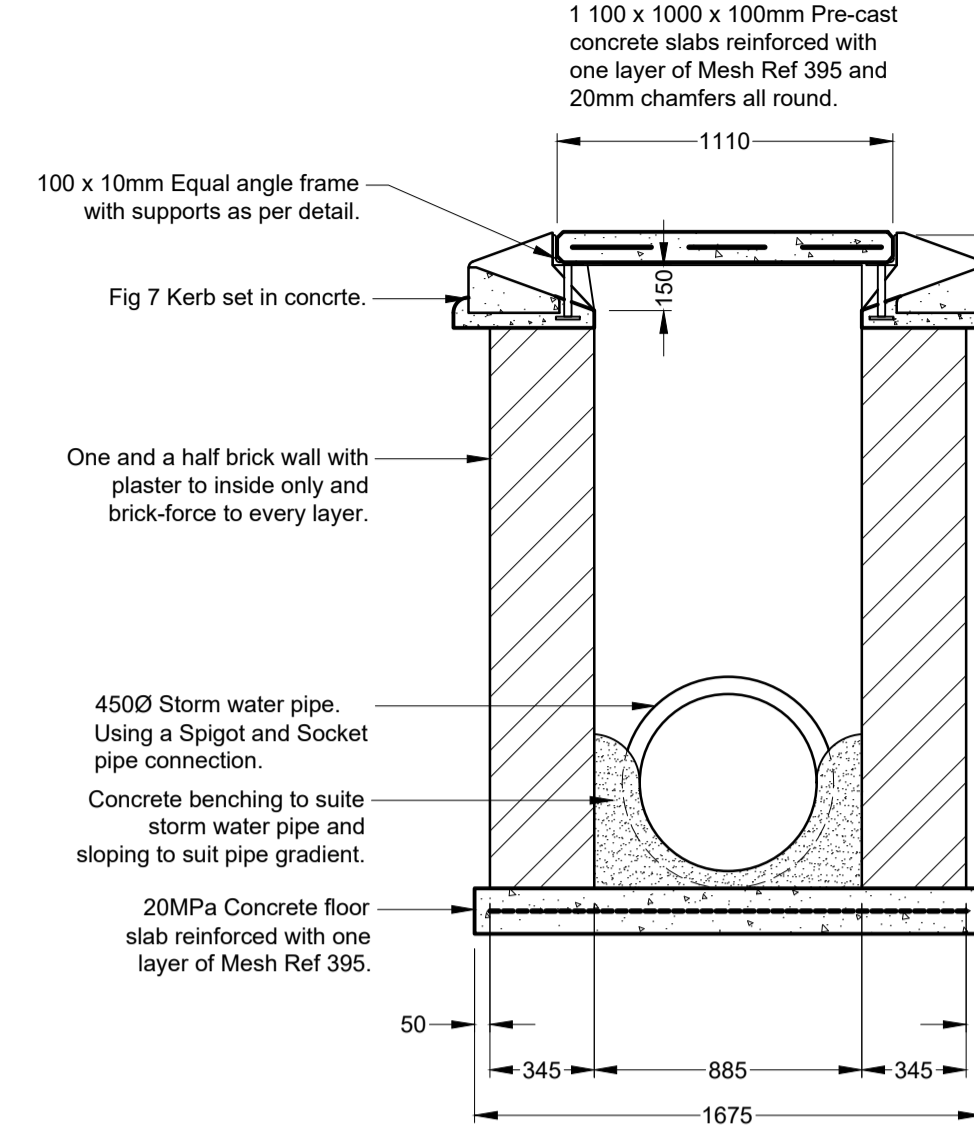
REINFORCING BENDING SCHEDULE							Project Schedule No					
Member	Bar mark	Type and size	No. of mbrs	No. of bars in each	Total no.	Length of each bar mm	Shape code	A mm	B mm	C mm	D mm	E/R mm
	01	Y16	4	4	16	5100	20					
	02	Y10	1	92	92	2950	60	700	700			
R6	R8	R10	Y10	Y12	Y16	Y20	Y25	Y32				
			167	129								



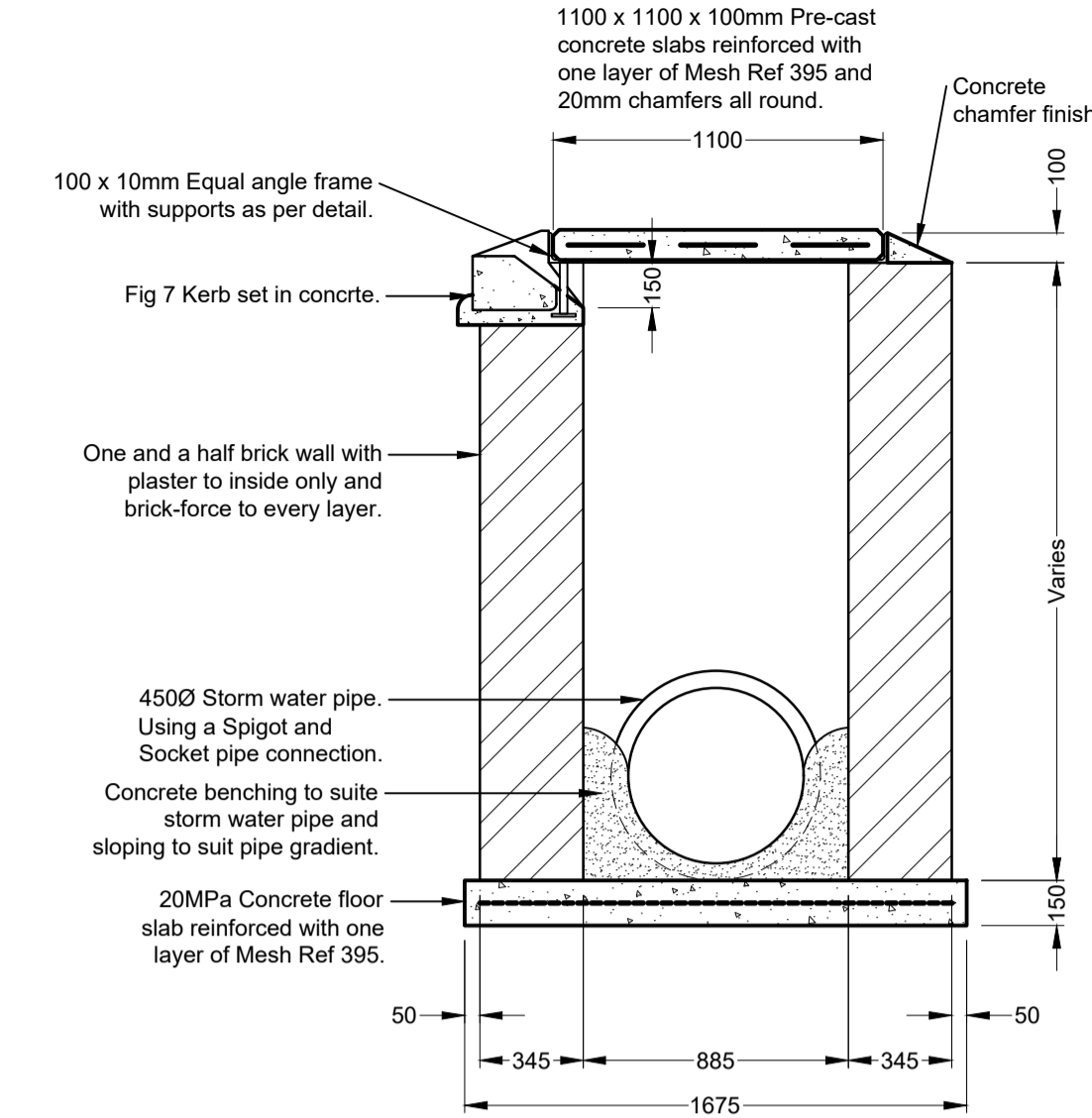
SECTION E-E
Scale 1:10



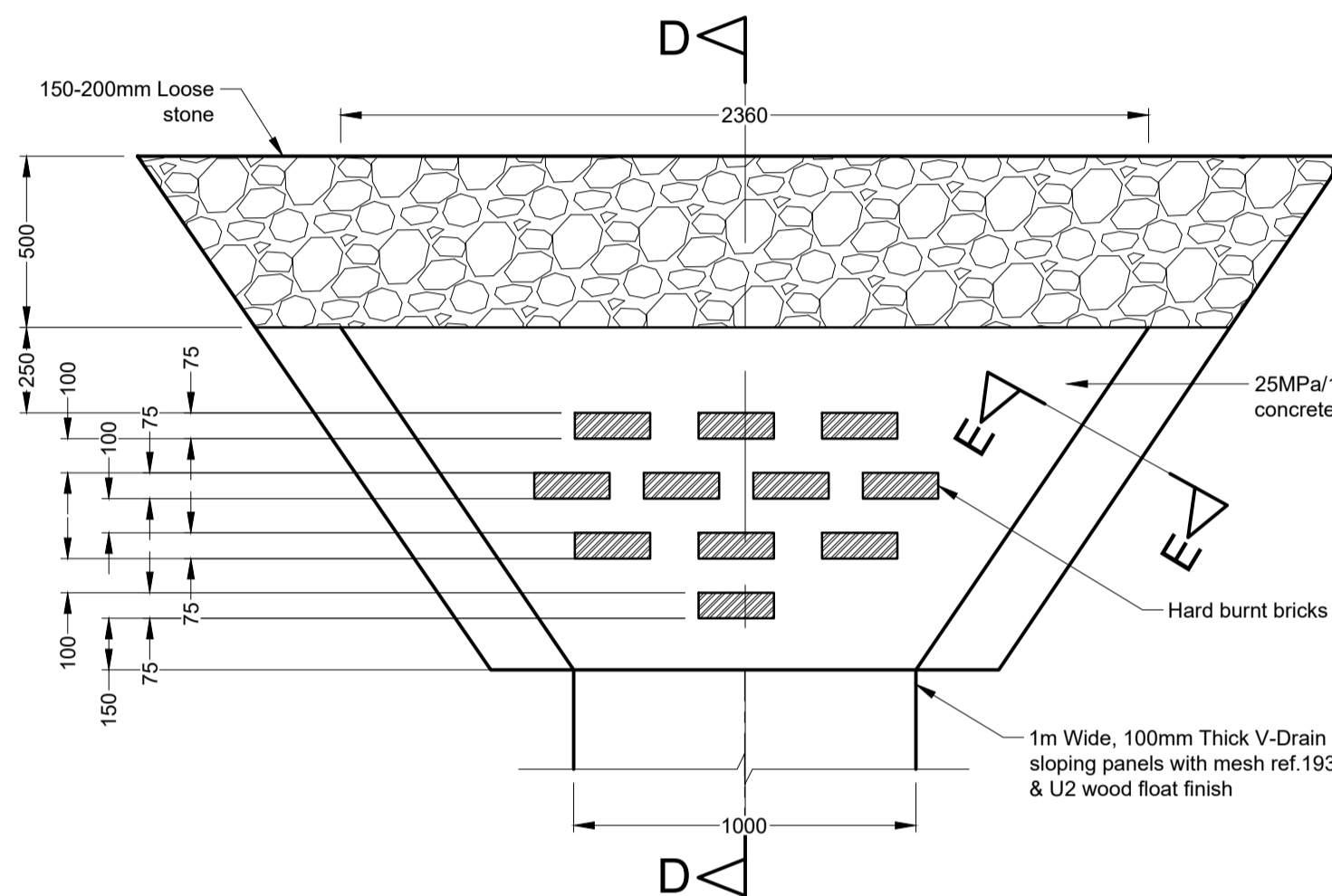
450mmØ STORM WATER CATCH PIT (3 SIDES IN LET)
Scale 1:25



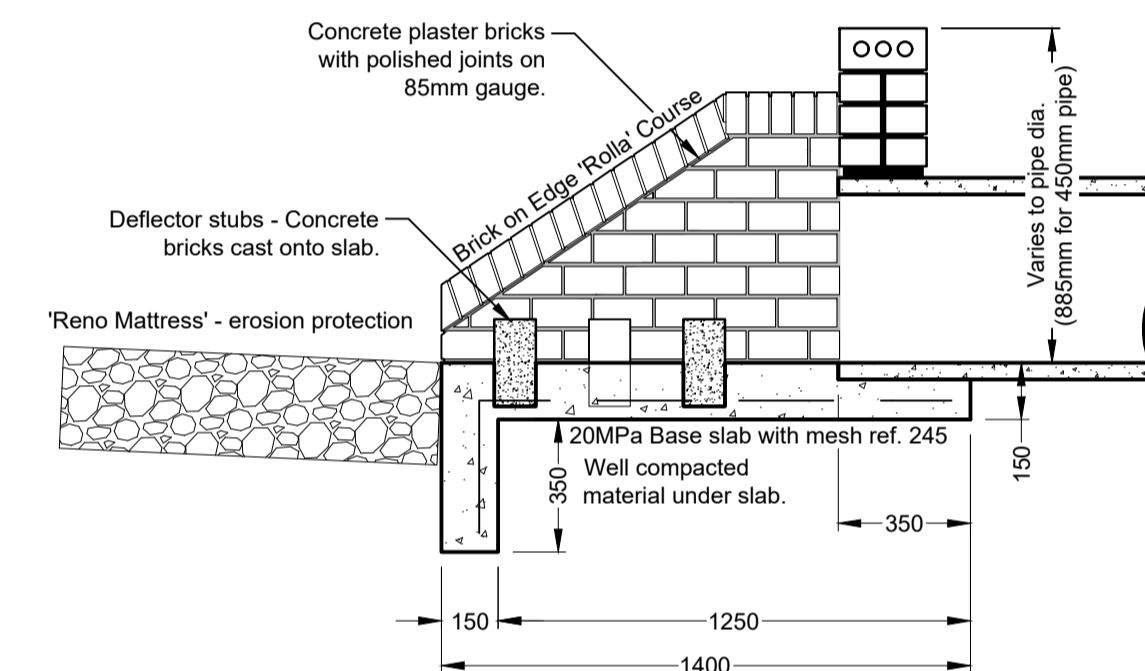
SECTION A-A
Scale 1:25



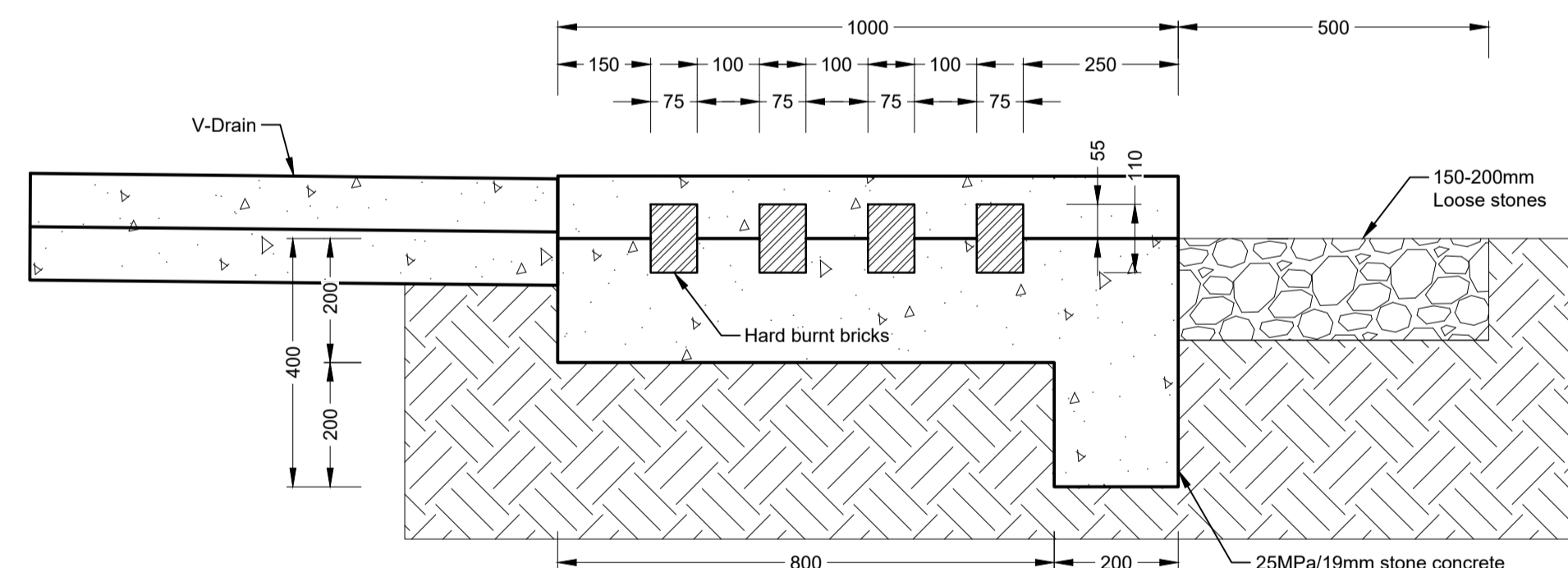
SECTION B-B
Scale 1:25



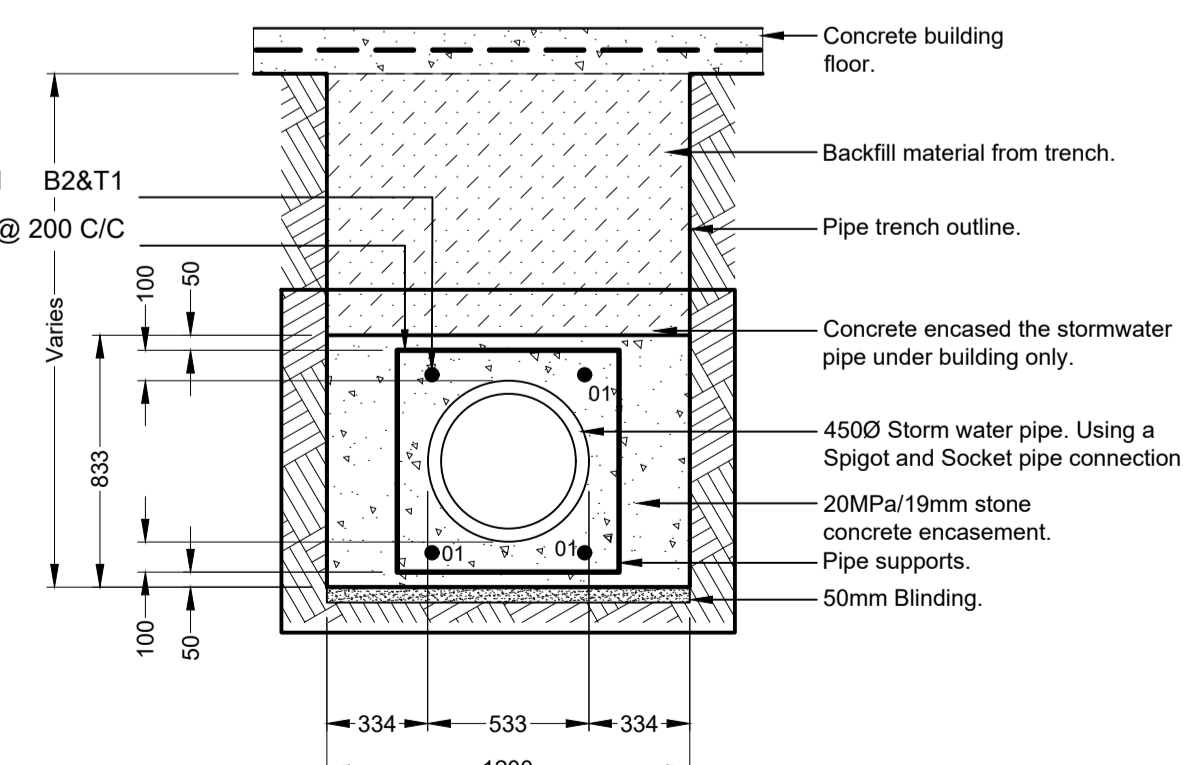
TYPICAL SPILLING BASIN PLAN
Scale 1:20



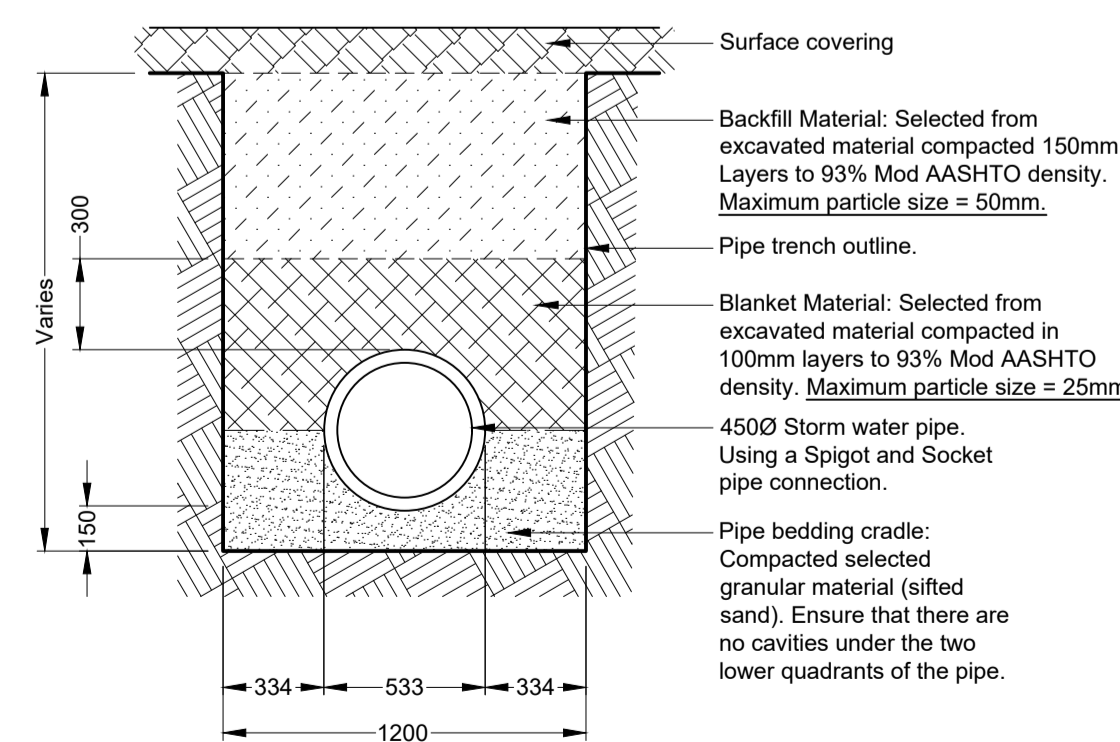
TYPICAL HEADWALL SECTION
Scale 1:20



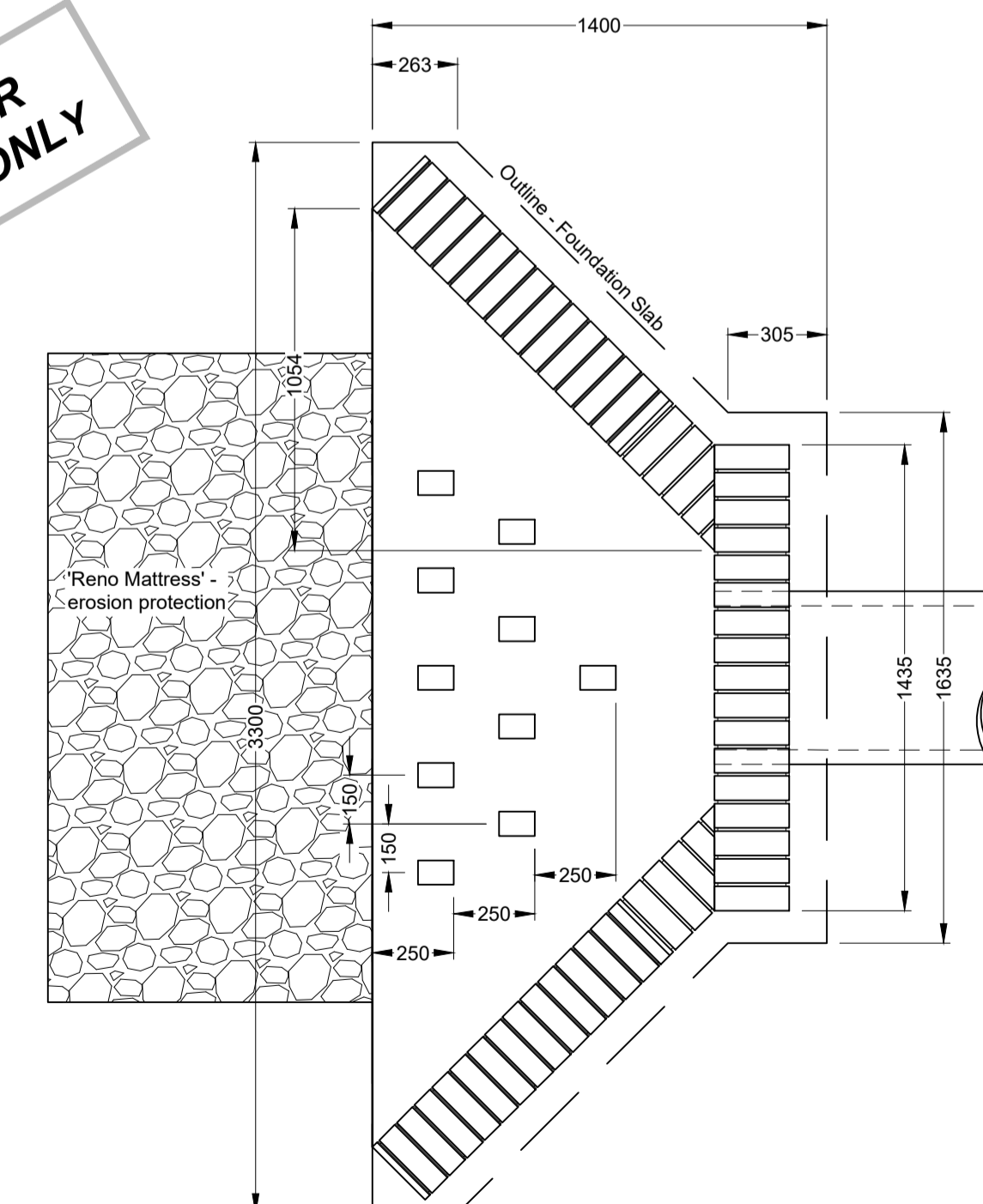
SECTION D-D
Scale 1:10



STORM WATER PIPE INCASEMENT
Scale 1:25



450mmØ STORM WATER TRENCHING DETAIL
Scale 1:25



TYPICAL HEADWALL PLAN
Scale 1:20

Do not scale off drawing - ASK THE ENGINEER IF UNCERTAIN!
Any discrepancies between any drawings must be clarified before work is continued on site.

READ THIS DRAWING IN CONJUNCTION WITH

Drawing Number	Drawing Description

AMENDMENTS

Rev.	Date	Description	Initials

ECA CONSULTING VRYHEID OFFICE:
161 High Street | Vryheid | Kwa Zulu Natal | RSA
vryheid@ecaconsult.co.za
Tel: +27 (0)34 983 2825
www.ecaconsult.co.za
Civil and Structural Engineers
Company Reg: 2004/019299/07
ISO Registered 9001:2015
OTHER OFFICES:
MBOMBELA | GAUTENG | PIETERMARITZBURG | LADYSMITH

Designed and Approved by: J.W. Janse v Rensburg
Signature: _____
Designation: PrTechEng
ECSA Reg.: 201070143
Date: 5 Dec 2024

Project Funder/ Client:
NKOMAZI LOCAL MUNICIPALITY
Nkomazi Municipality

Approved by Client:
Name: _____
Signature: _____ Date: _____

Project:
SCHOEMANSDAL SPORTS FACILITY

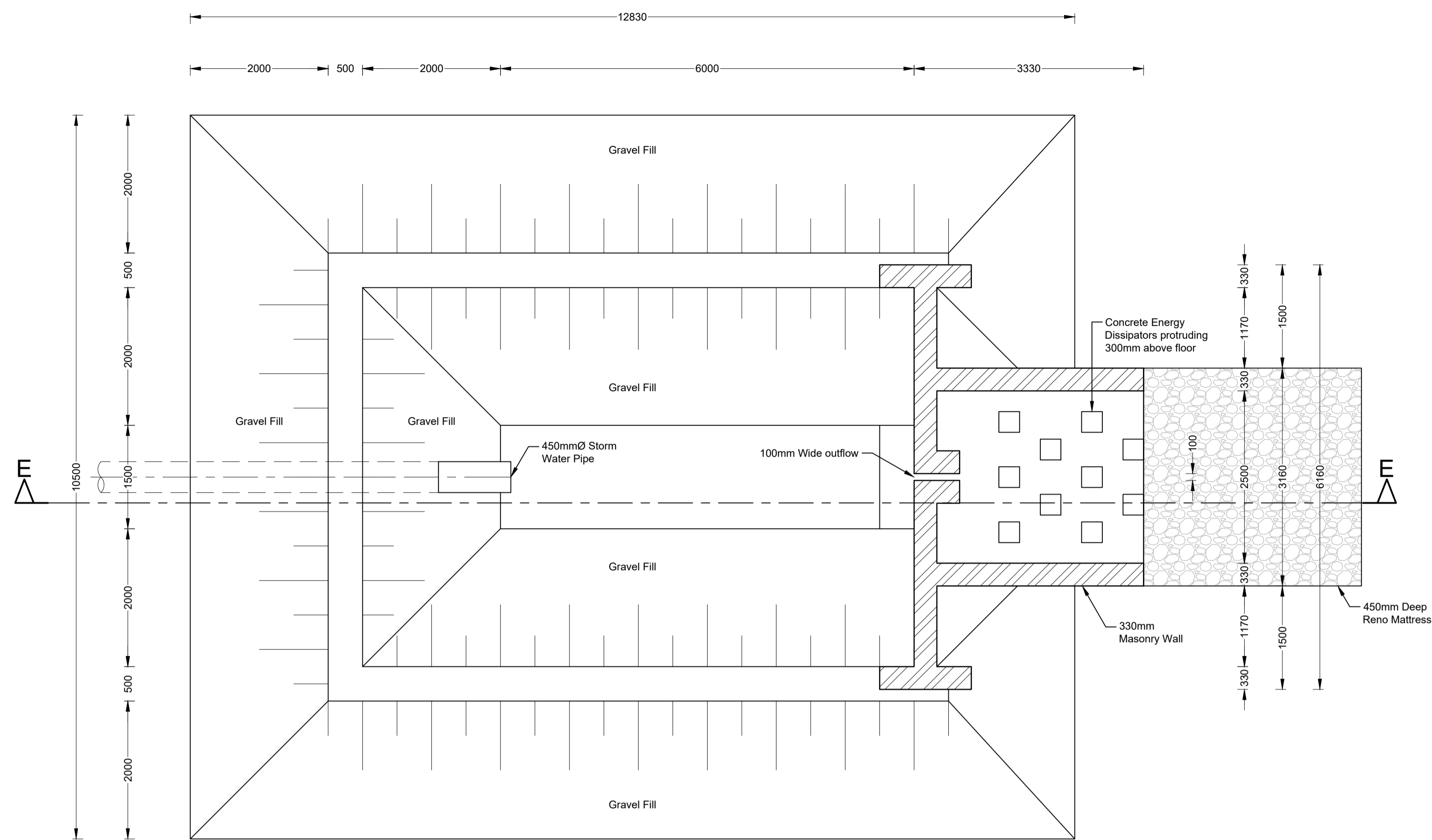
Drawing description:
TYPICAL STORM WATER DETAILS

Drawn: G.D Bezuienhout
Checked: J. J v Rensburg
Date: 23 Sep 2024
Date: 02 Dec 2024

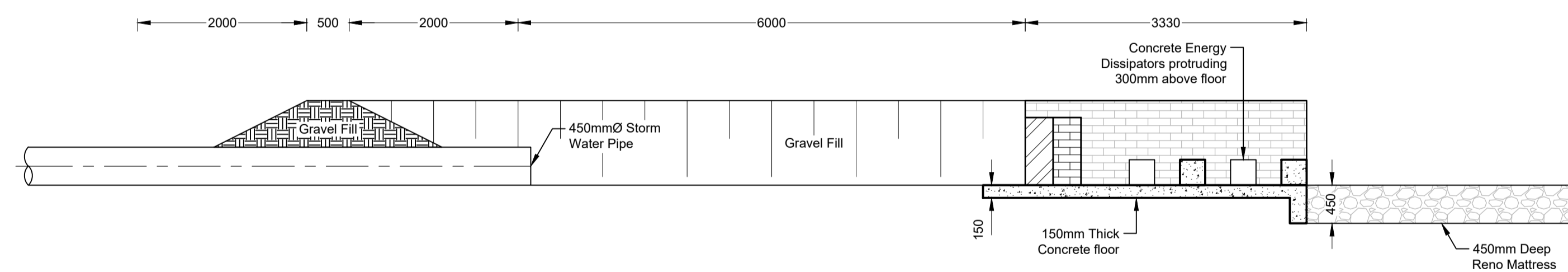
Scales: As Shown
Drawing number: 23-017-M-03-04
Rev.: 00

FOR TENDER PURPOSES ONLY

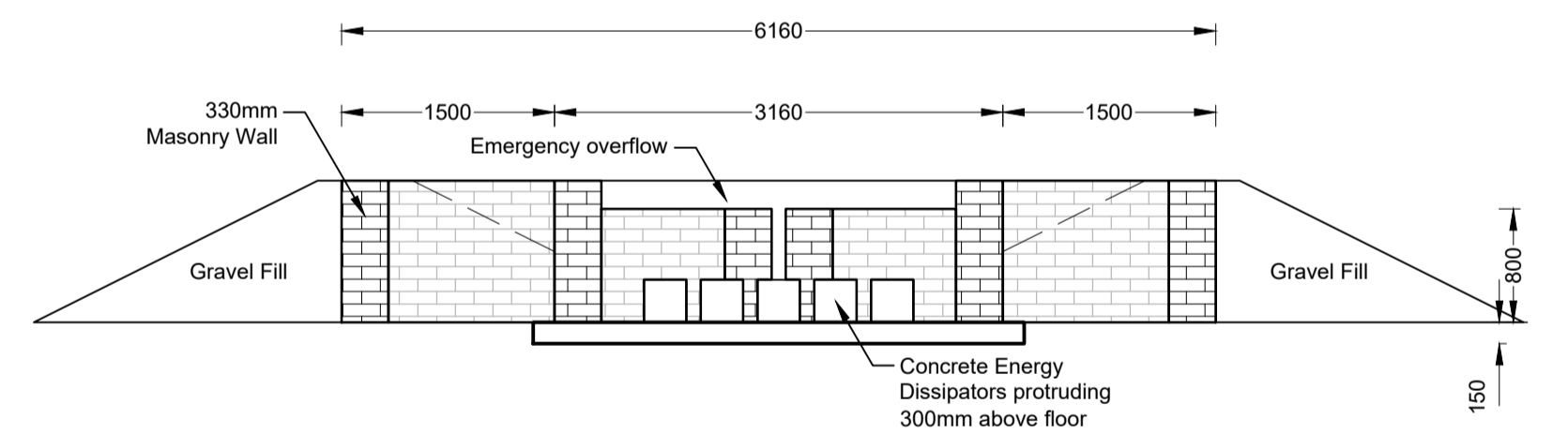
Do not scale off drawing - ASK THE ENGINEER IF UNCERTAIN!
Any discrepancies between any drawings must be clarified before work is continued on site.



ATTENUATION POND PLAN
Scale 1:50



SECTION E-E
Scale 1:50



ATTENUATION POND FRONT ELEVATION
Scale 1:50

FOR TENDER PURPOSES ONLY

READ THIS DRAWING IN CONJUNCTION WITH

Drawing Number	Drawing Description

AMENDMENTS

Rev.	Date	Description	Initials

ECA CONSULTING VRYHEID
Civil and Structural Engineers OFFICE:
 161 High Street |
 Vryheid | Kwa Zulu Natal |
 RSA
 vryheid@ecacconsult.co.za
 Tel: +27 (0)34 983 2825
 www.ecacconsult.co.za
 OTHER OFFICES:
 MBOMBELA | GAUTENG |
 PIETERMARITZBURG |
 LADYSMITH
 Company Reg.: 2004/019299/07
 ISO Registered 9001:2015

Designed and Approved by: Signature:
 Name: J.W. Janse v Rensburg
 Designation: PrTechEng
 ECOSA Reg.: 201070143 Date: 7 May 2025

Project Funder/ Client:

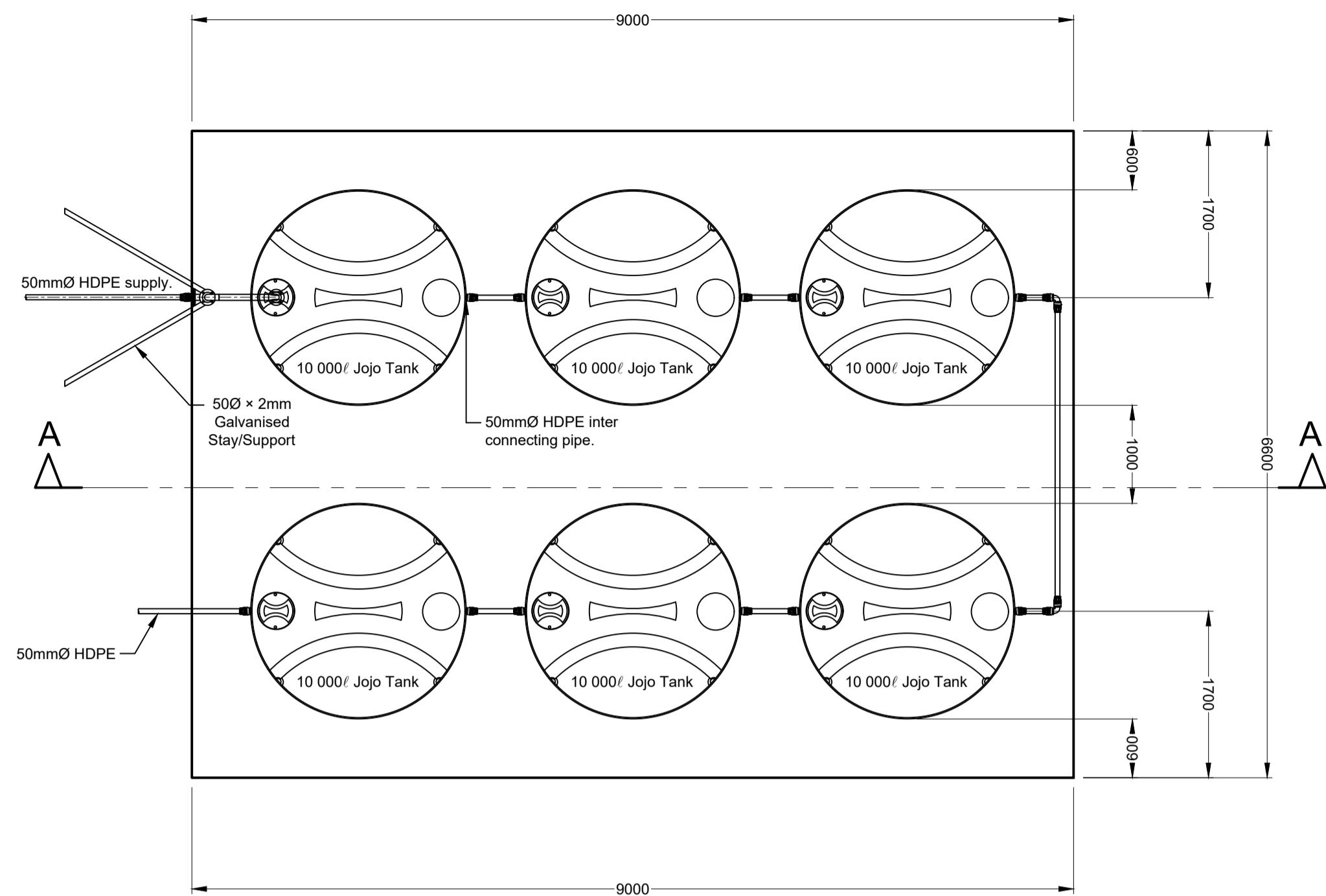
NKOMAZI LOCAL MUNICIPALITY
Nkomazi Municipality

Approved by Client:
 Name: _____
 Signature: _____ Date: _____

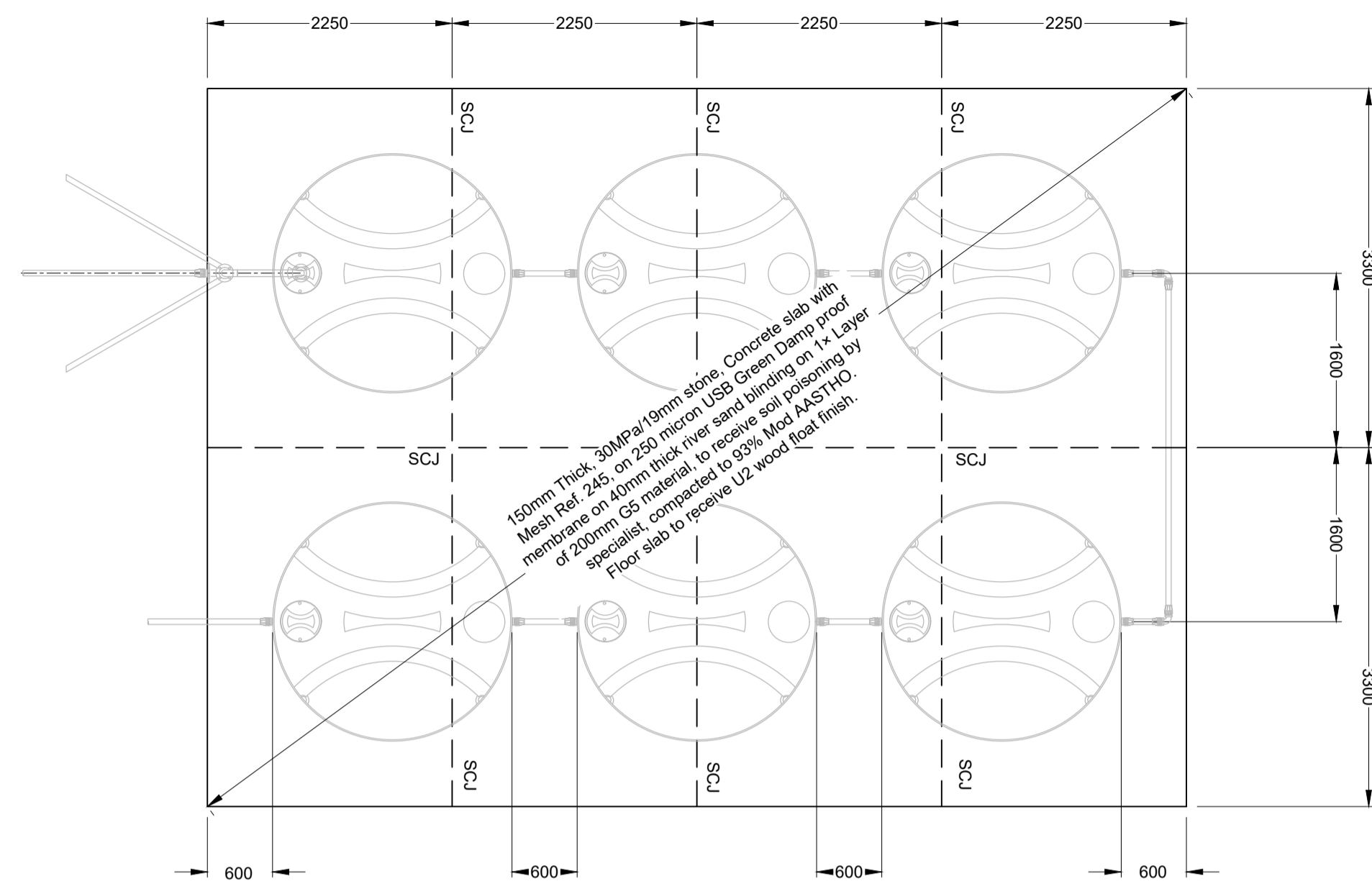
Project:
SCHOEMANSDAL SPORTS FACILITY

Drawing description:
ATTENUATION POND DETAILS

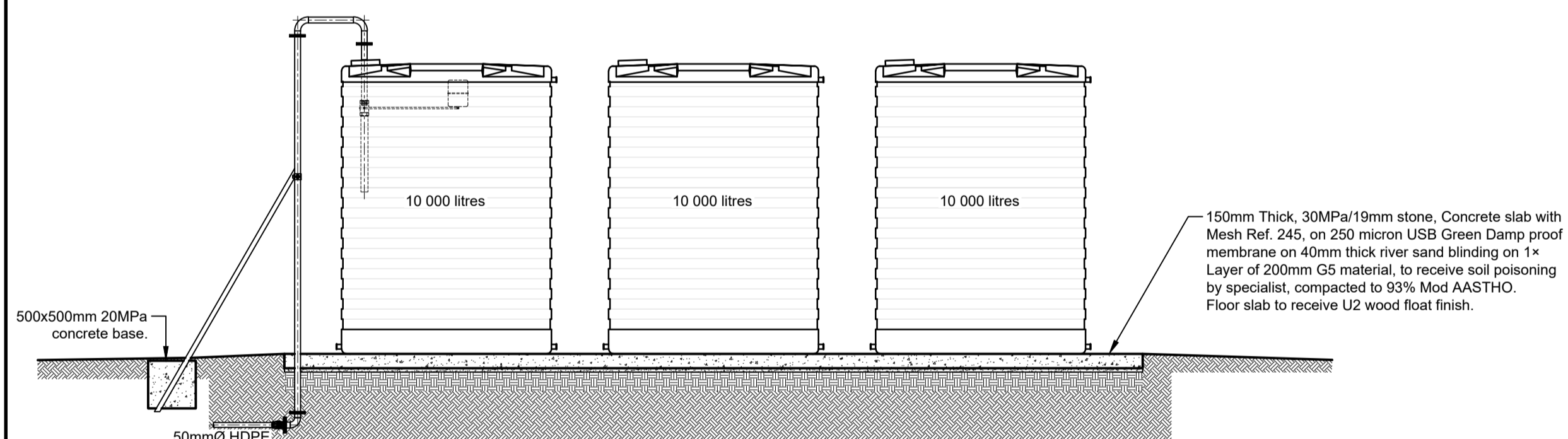
Drawn: G.D. Bezuienhout	Checked: J. J v Rensburg
Date: 23 Sep 2024	Date: 02 Dec 2024
Scale/s: As Shown	
Drawing number: 23-017-M-03-05	Rev.: 00



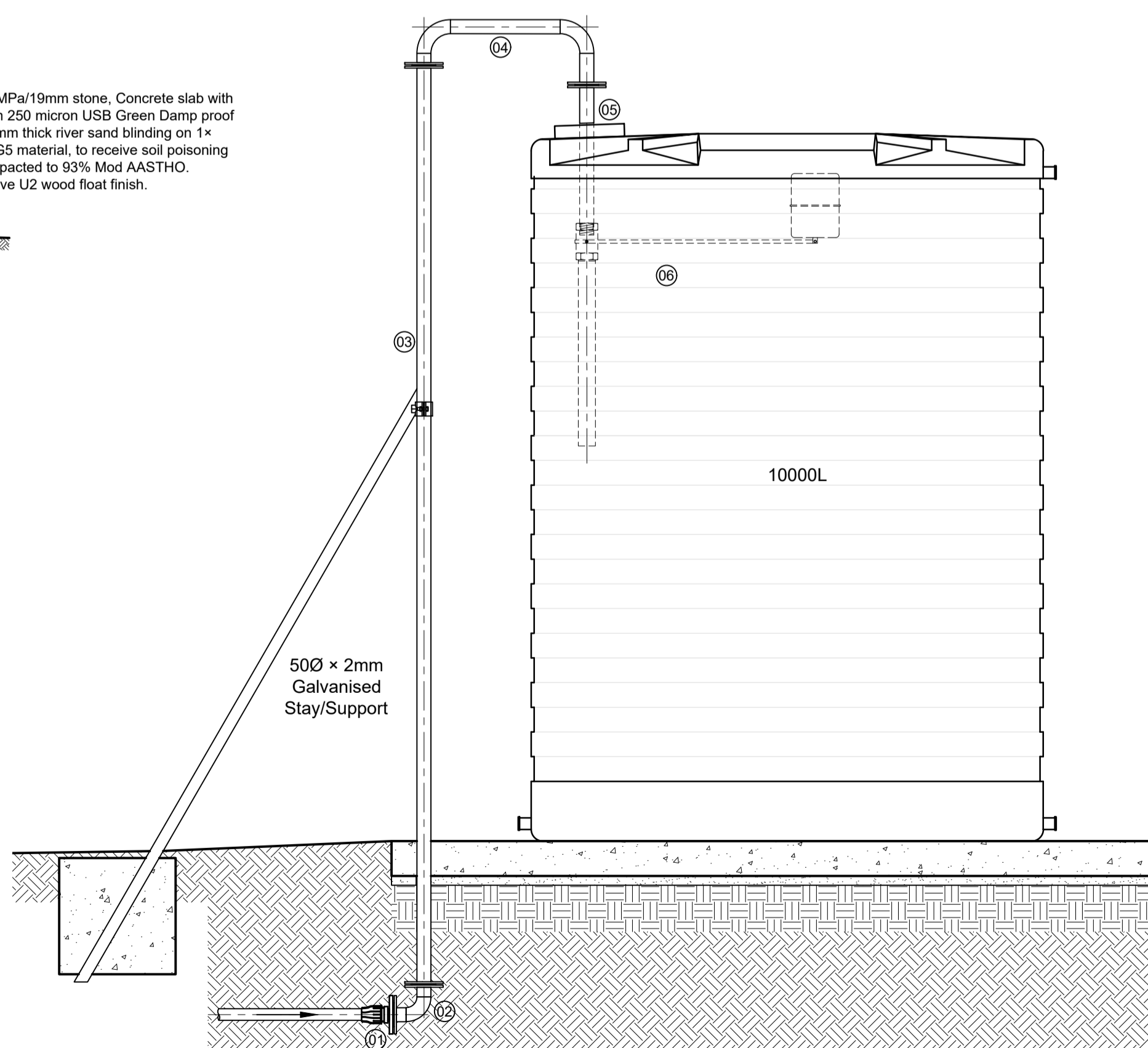
LAYOUT PLAN
Scale 1:50



FLOOR SLAB LAYOUT PLAN
Scale 1:50



SECTION A-A
Scale 1:50



TANK INLET DETAIL
Scale 1:20

Item No.	No Off.	Dia(mm) ND	Description	Drawing
01	01	50Ø	50Øx3" HDPE flange adapter T16.	
02	01	50Ø	50Ø 90° bend, T16 flanged.	
03	01	50Ø	50Ø Straight, T16 flanged.	
04	01	50Ø	50Ø 180° bend, T16 flanged.	
05	01	50Ø	50Ø Inlet straight, 1xT16 flanged and 1x threaded end.	
06	01	50Ø	BALEM valve with flow induction tube. Or similar approved.	

Do not scale off drawing - ASK THE ENGINEER IF UNCERTAIN!
Any discrepancies between any drawings must be clarified before work is continued on site.

FOR TENDER PURPOSES ONLY

READ THIS DRAWING IN CONJUNCTION WITH

Drawing Number	Drawing Description

AMENDMENTS

Rev.	Date	Description	Initials

ECA CONSULTING MBOMBELA OFFICE:
23 Marioth Street | Mbombela | Mpumalanga | RSA
mbombela@ecaconsult.co.za
Tel: +27 (0)13 752 2357
www.ecaconsult.co.za
Civil and Structural Engineers
Company Reg.: 2004/019299/07
ISO Registered 9001:2015
OTHER OFFICES:
VRYHEID | GAUTENG | PIETERMARITZBURG | LADYSMITH

Approved by Engineer: Signature: _____
Name: J.W. Janse v Rensburg
Designation: PrTechEng
ECOSA Reg.: 201070143 Date: 3 Feb 2025

Project Funder/ Client:

NKOMAZI LOCAL MUNICIPALITY

Approved by Client: Name: _____
Signature: _____ Date: _____

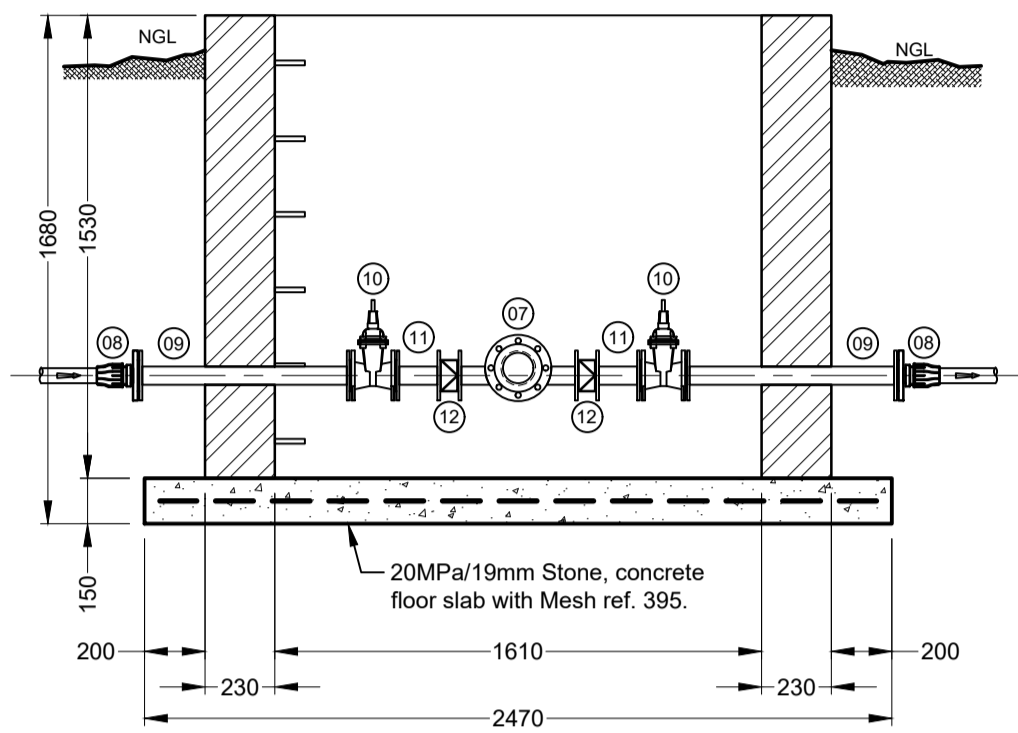
Project: **SCHOEMANSDAL SPORTS FACILITY**

Drawing description: **10000L JOJO TANKS AND DETAILS**

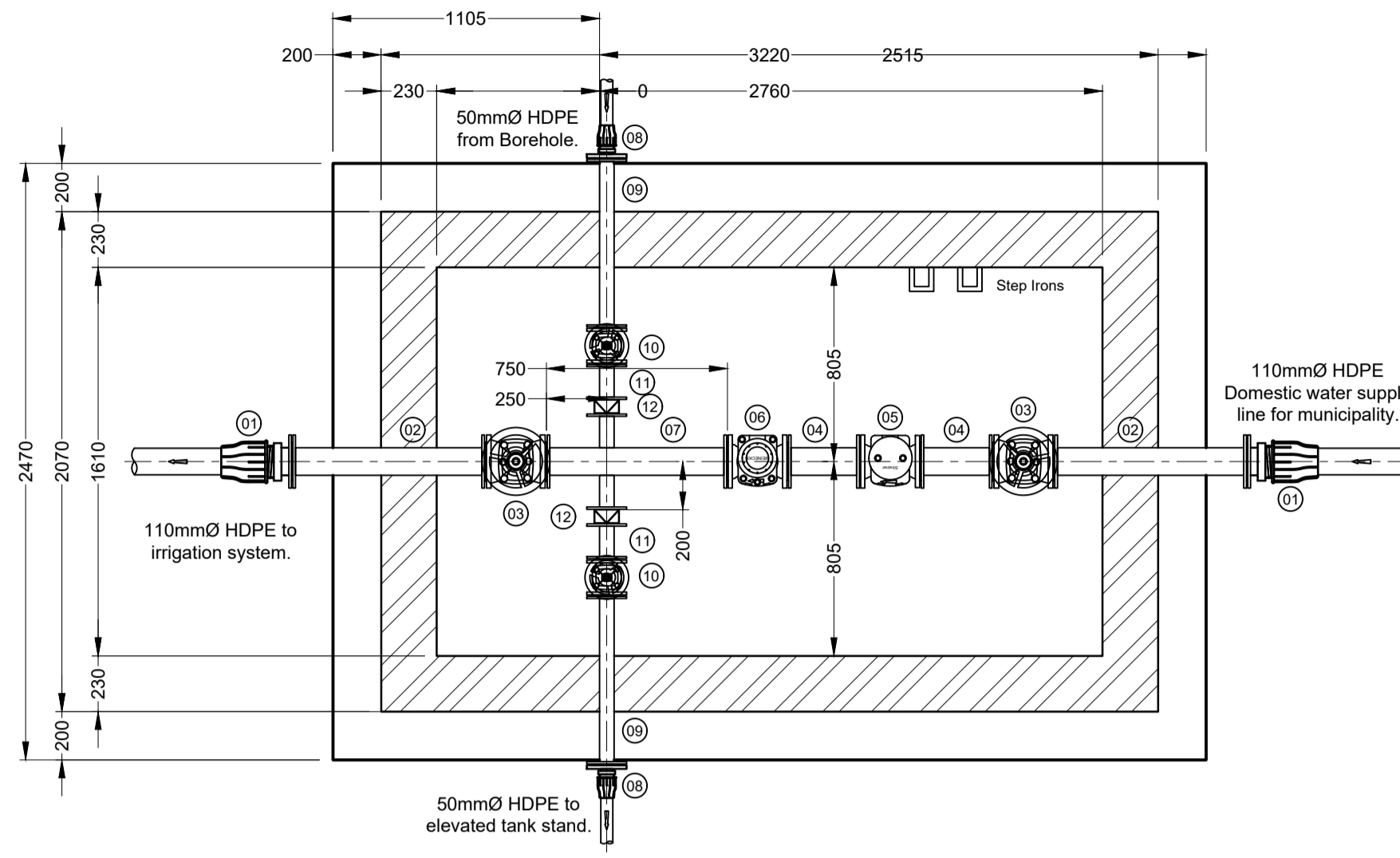
Drawn: P.L Butelezi	Checked: J. J v Rensburg
Date: 31 Jan 2025	Date: 31 Jan 2025
Scale/s: As Shown	
Drawing number: 23-017-M-04-05	Rev.: 00

PIPE & SPECIALS SPECIFICATION

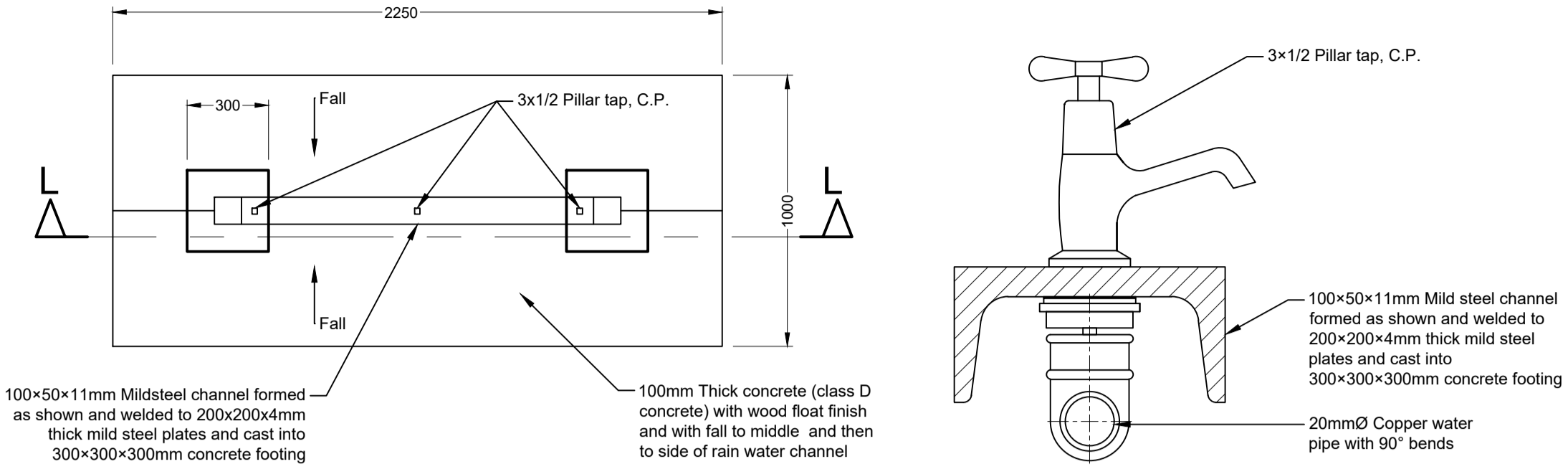
- 110mmØ x 2" HDPE Flange Adaptor.
- 100mmØ Galvanised straight pipe (length = 800mm) with 2x T16 flanges.
- 100mmØ RS Valve with hand wheel, T16 flanged.
- 100mmØ Galvanised straight pipe (length = 300mm) with 2x T16 flanges.
- WP-Dynamic, 100mmØ, "SENSUS" Water Strainer, T16 flanged
- WP-Dynamic, 100mmØ, Pulse "SENSUS" Water Meter, T16 flanged.
- 100mmØ Galvanised straight pipe (length = 750mm) with 2x50mmØ branches (length = 200mm) & 4x T16 flanges.
- 50mmØ x 2" HDPE Flange Adaptor.
- 50mmØ Galv. straight pipe (length = 700mm) with 2x T16 flanges.
- 50mmØ RS Valve with hand wheel, T16 flanged.
- 50mmØ Galv. straight pipe (length = 150mm) with 2x T16 flanges.
- 50mmØ Double Door non-return valve.



WATER METER CHAMBER DETAIL
Scale 1:10

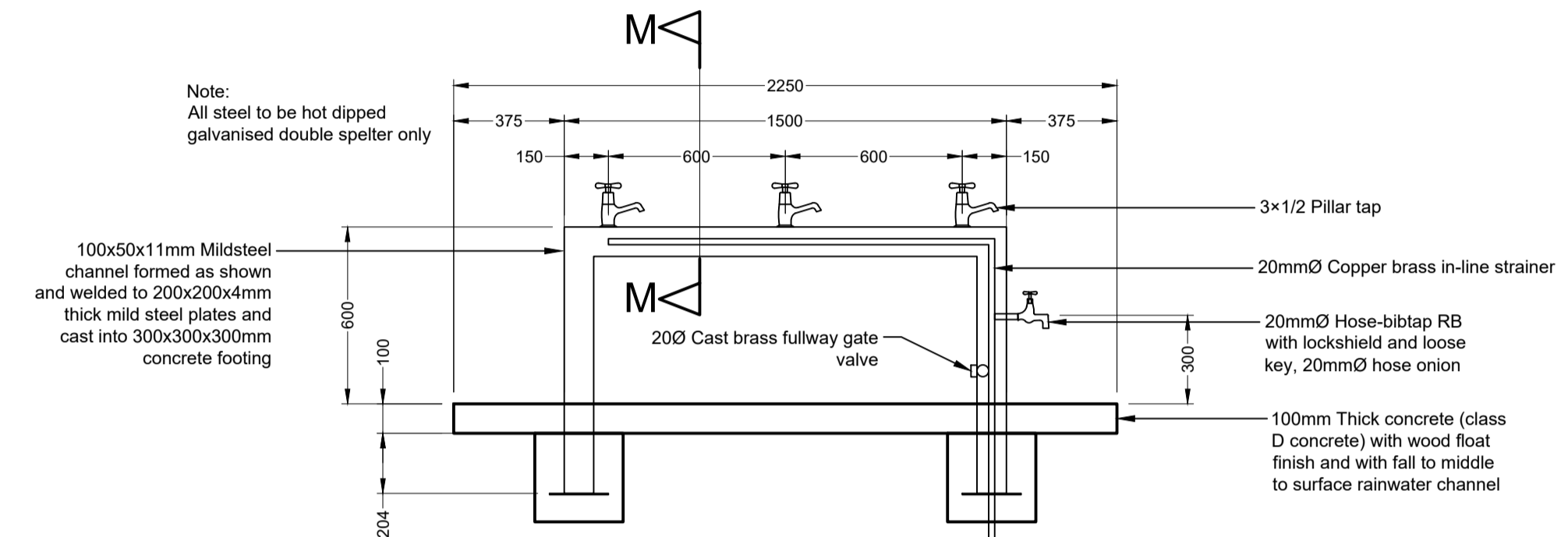


WATER METER CHAMBER PLAN
Scale 1:25

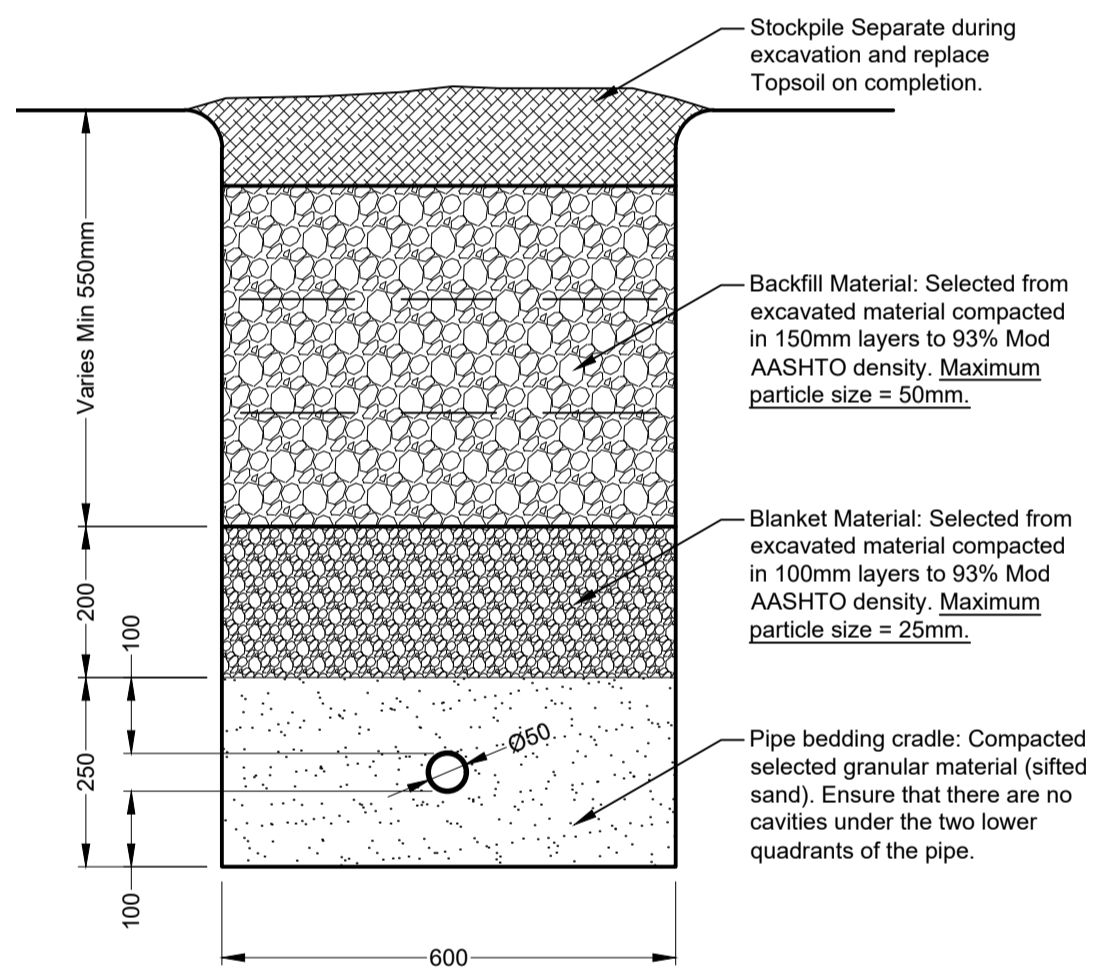


DRINKING FOUNTAIN PLAN
Scale 1:20

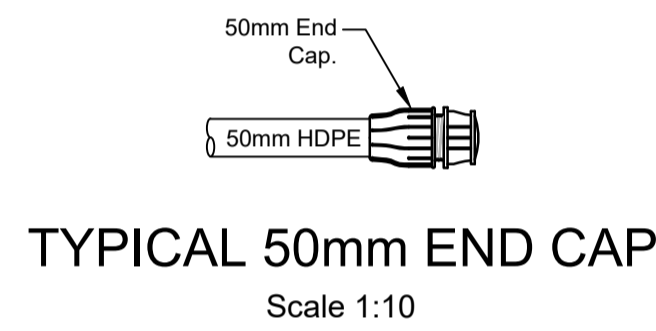
SECTION M-M
Scale 1:2



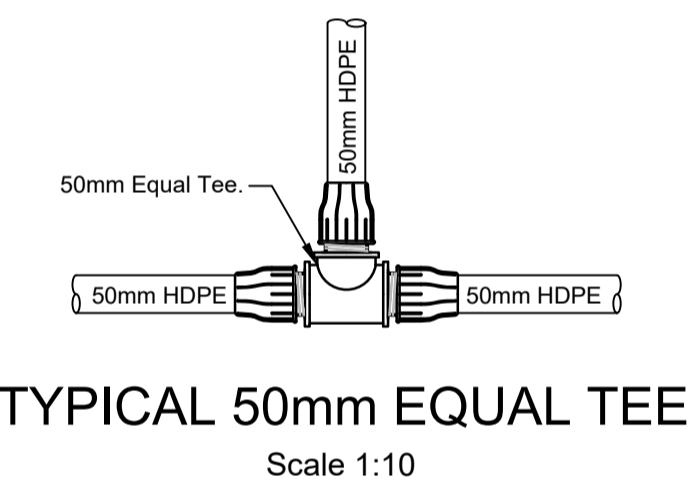
SECTION L-L
Scale 1:20



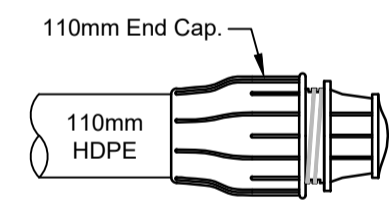
TYPICAL 50mmØ WATER PIPE TRENCH DETAIL
Scale 1:10



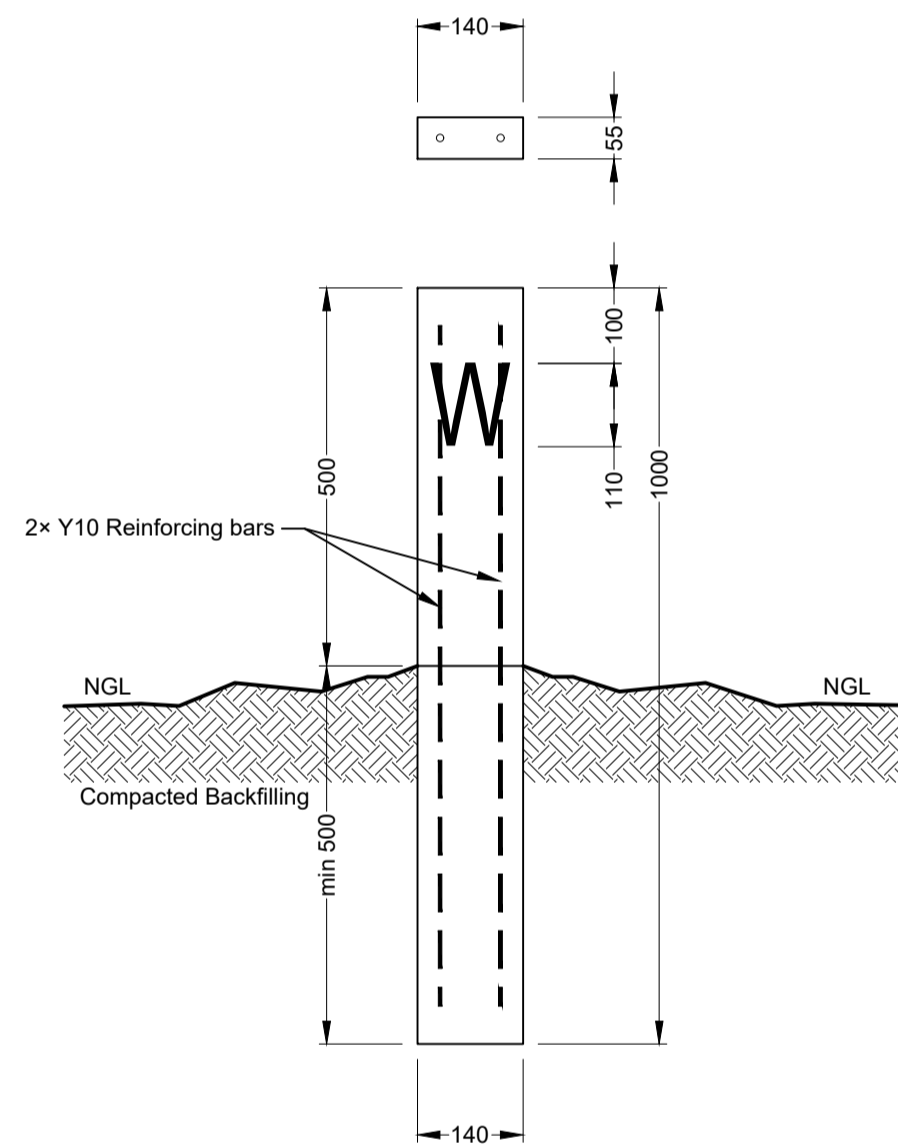
TYPICAL 50mm END CAP
Scale 1:10



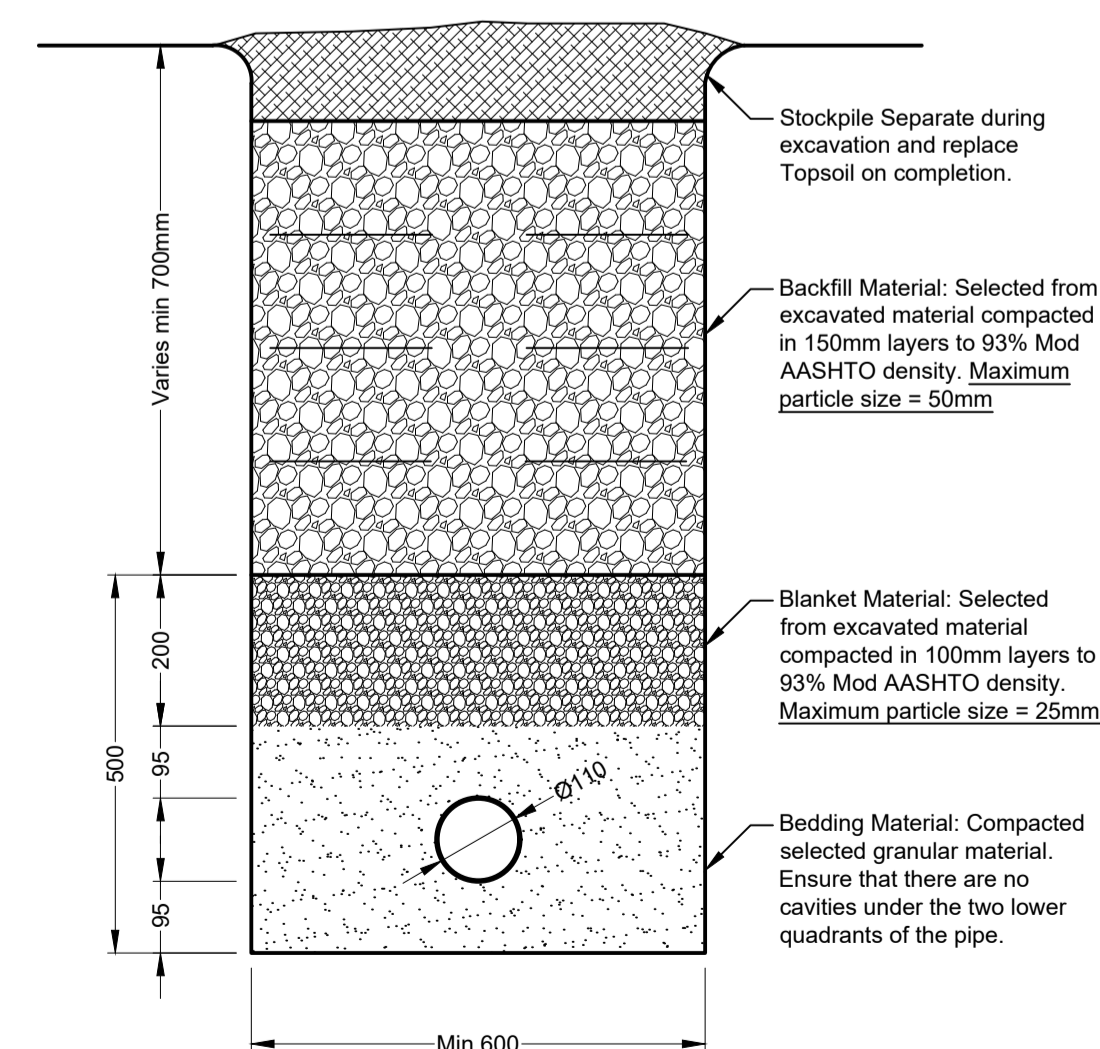
TYPICAL 50mm EQUAL TEE
Scale 1:10



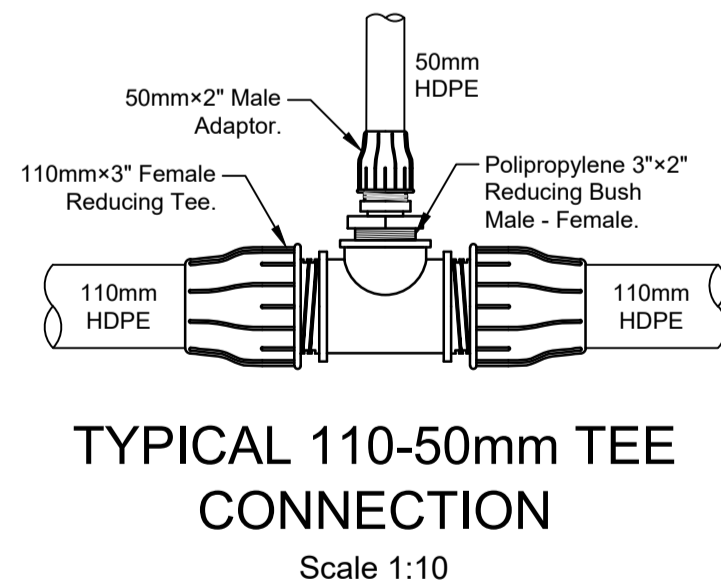
TYPICAL 110mm END CAP
Scale 1:10



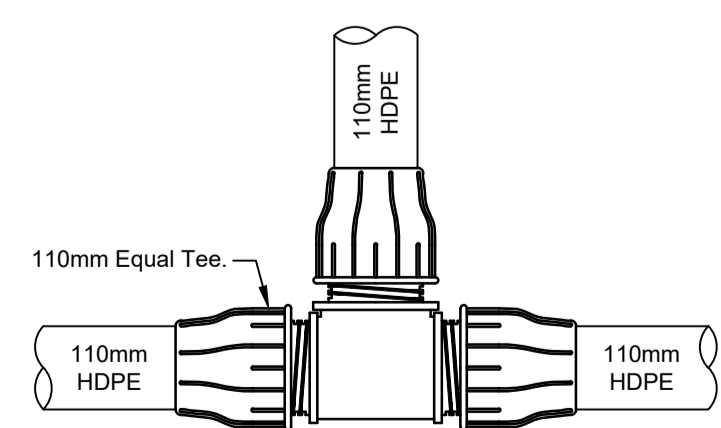
WATER MARKER DETAIL
Scale 1:10



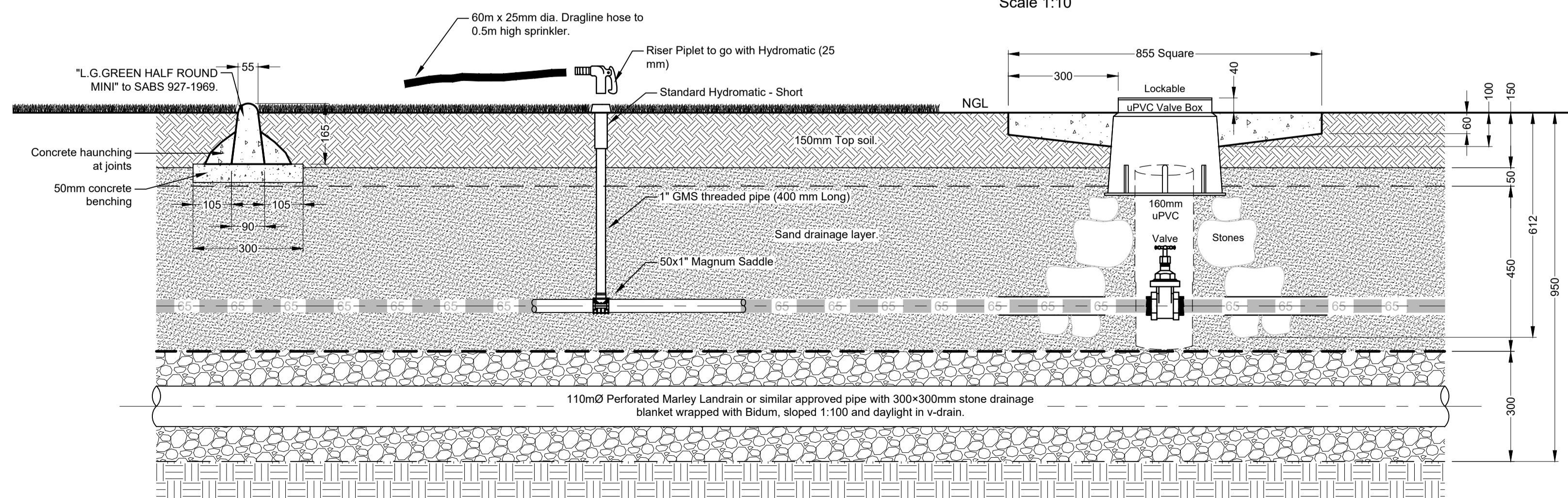
TYPICAL 100mmØ WATER PIPE TRENCH DETAIL
Scale 1:10



TYPICAL 110-50mm TEE CONNECTION
Scale 1:10



TYPICAL 110mm EQUAL TEE
Scale 1:10



TYPICAL IRRIGATION & SUB-SOIL DRAIN SECTION
Scale 1:10

Do not scale off drawing - ASK THE ENGINEER IF UNCERTAIN!
Any discrepancies between any drawings must be clarified before work is continued on site.

FOR TENDER PURPOSES ONLY

READ THIS DRAWING IN CONJUNCTION WITH

Drawing Number	Drawing Description

AMENDMENTS

Rev.	Date	Description	Initials

ECA CONSULTING VRYHEID OFFICE:
161 High Street | Vryheid | Kwa Zulu Natal | RSA
vryheid@ecaconsult.co.za
Tel: +27 (0)34 983 2825
www.ecaconsult.co.za
OTHER OFFICES:
MBOMBELA | GAUTENG | PIETERMARITZBURG | LADYSMITH
Company Reg: 2004/019299/07
ISO Registered 9001:2015

Approved by Engineer: **J.W. Jansse v Rensburg** Signature: _____
Designation: PrTechEng
ECOSA Reg.: 201070143 Date: 7 May 2025

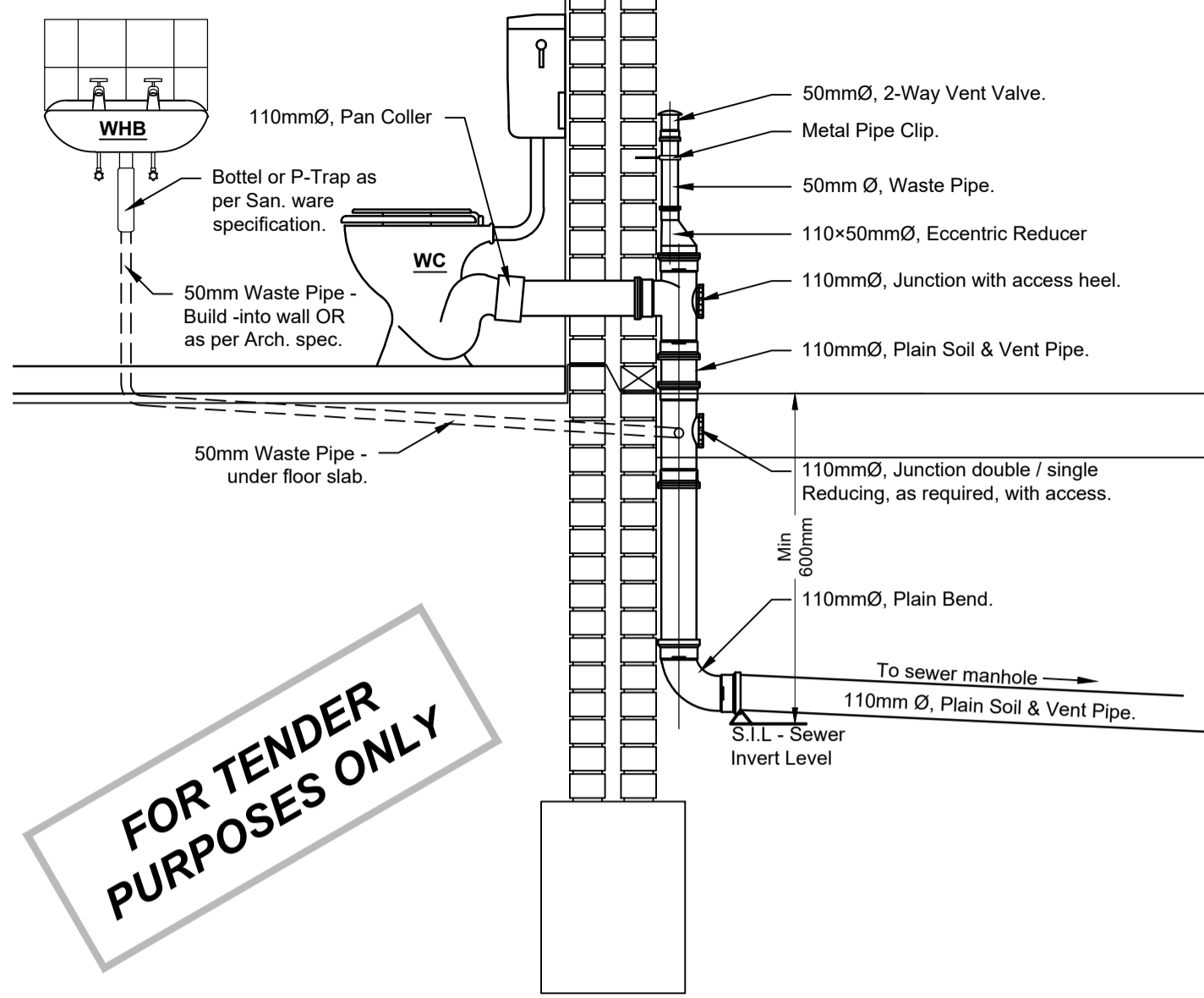
Project Funder/ Client:
NKOMAZI LOCAL MUNICIPALITY
Nkomazi Municipality

Approved by Client: _____
Name: _____
Signature: _____ Date: _____

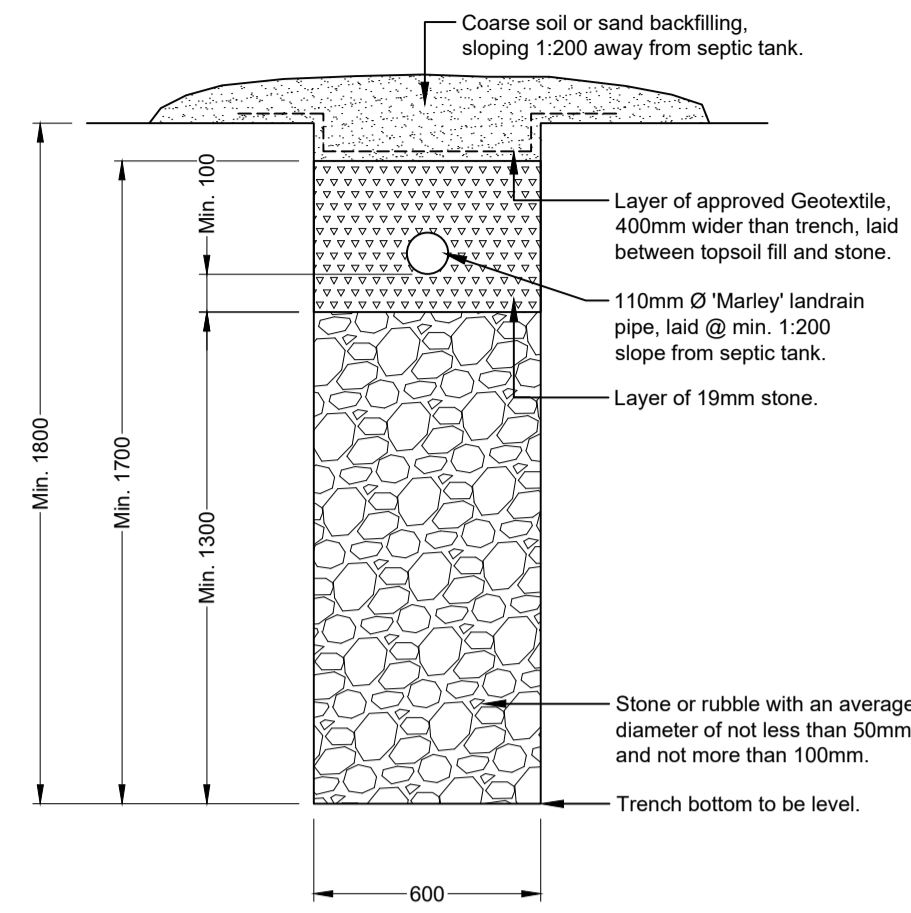
Project:
SCHOEMANSDAL SPORTS FACILITY

Drawing description:
TYPICAL WATER DETAILS

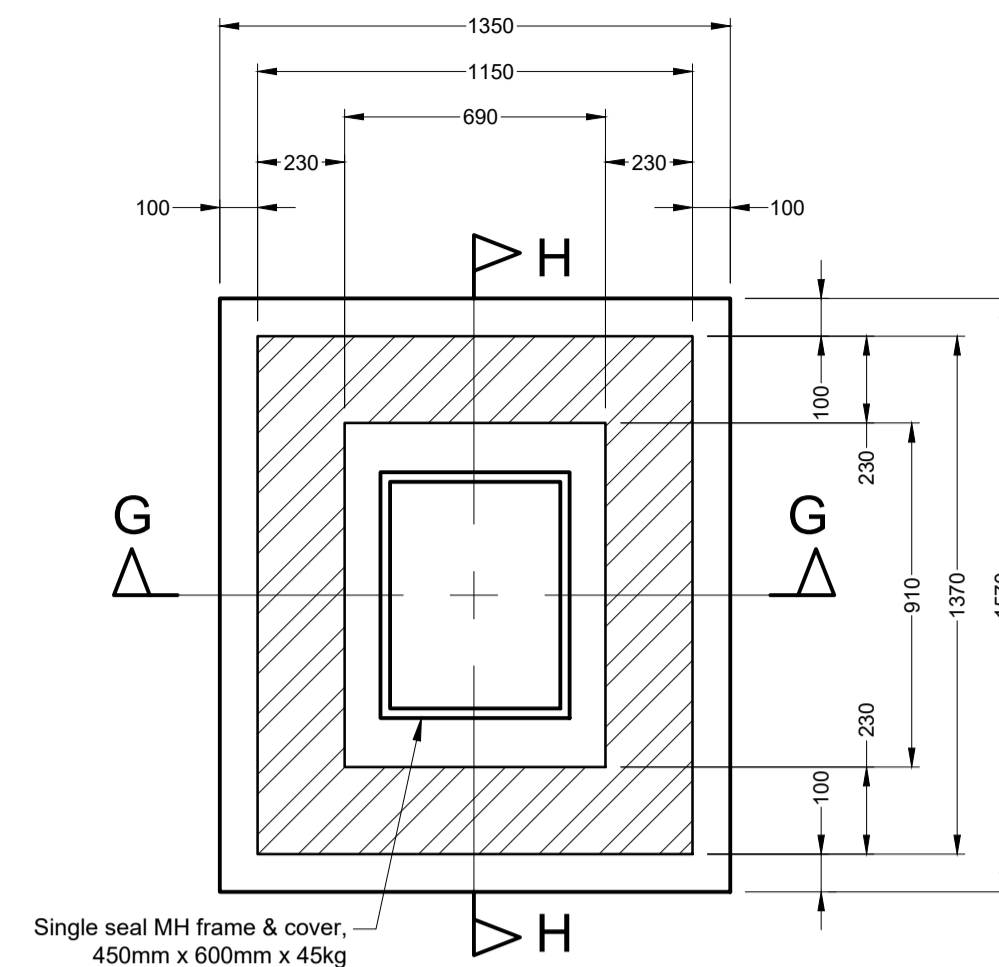
Drawn: G.D Bezuienhout	Checked: J. J v Rensburg
Date: 23 Sep 2024	Date: 02 Dec 2024
Scale/s: As Shown	
Drawing number: 23-017-M-04-07	Rev.: 00



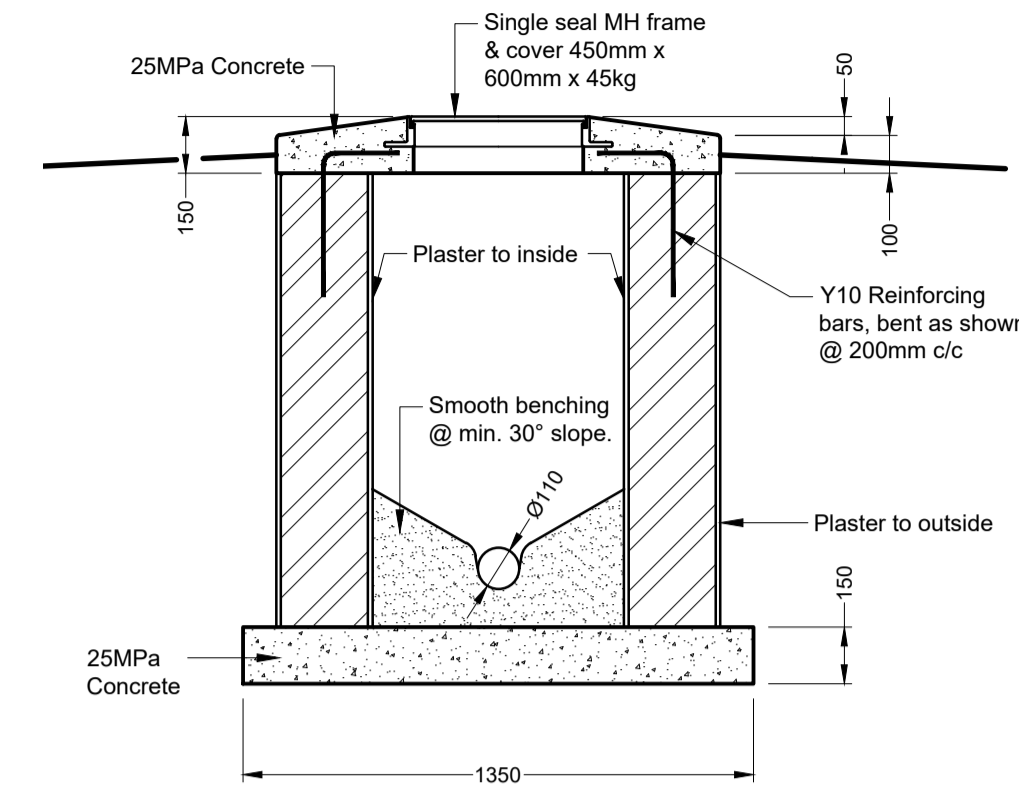
WC (TOILET) & BASIN STUB STACK
SCALE 1:20



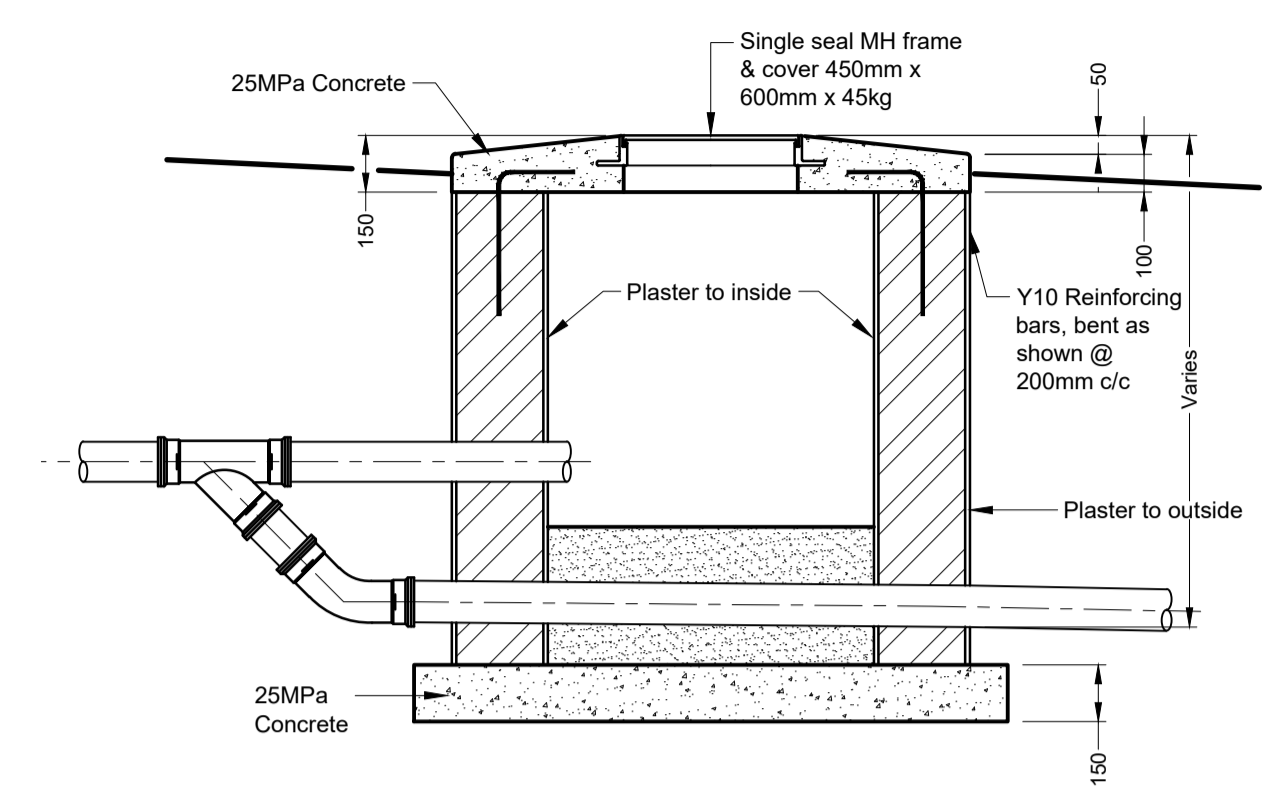
TYPICAL SOAKAWAY TRENCH DETAIL
Scale 1:25



TYPICAL MANHOLE DETAIL
Scale 1:20

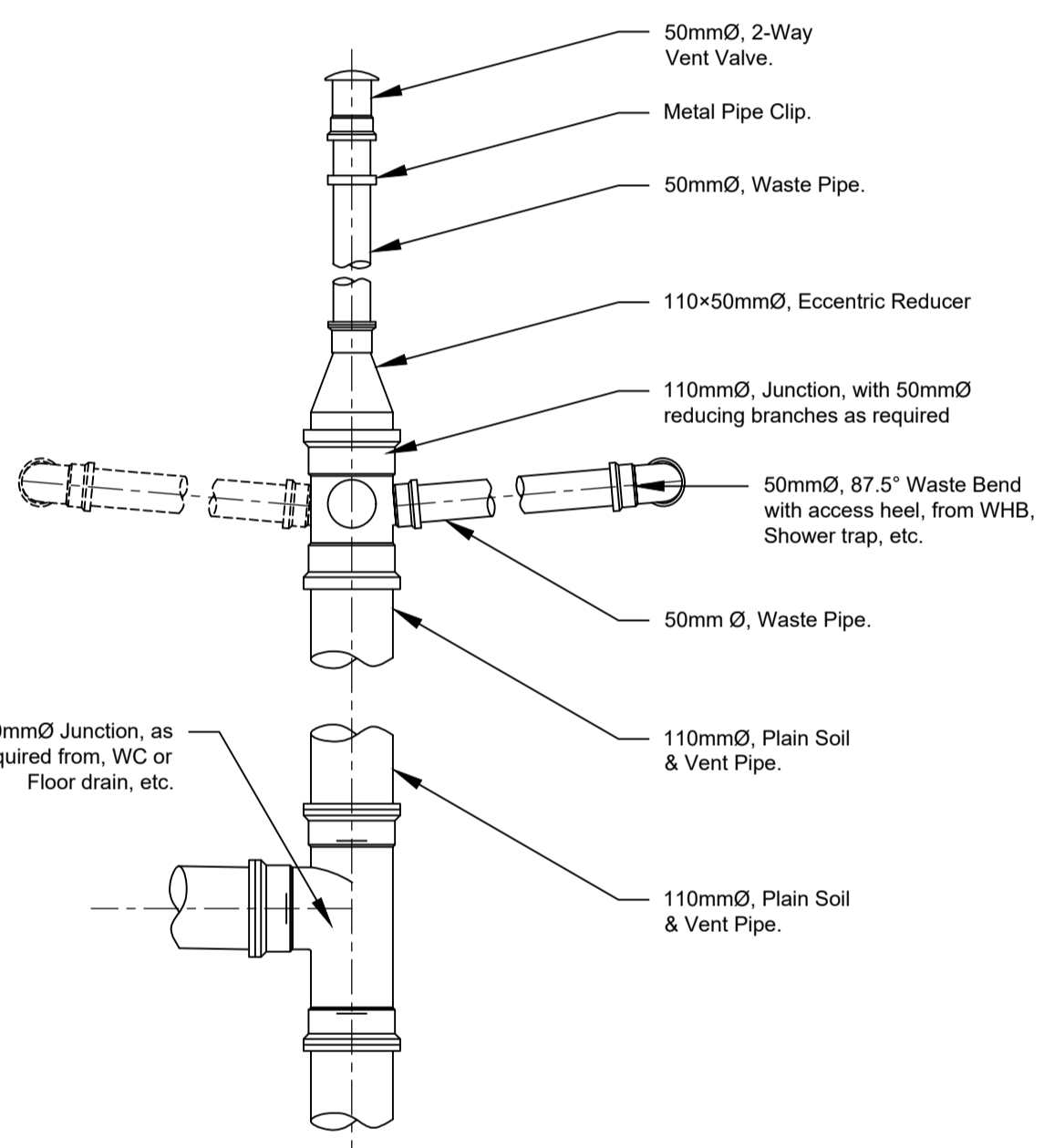


SECTION G-G
Scale 1:20

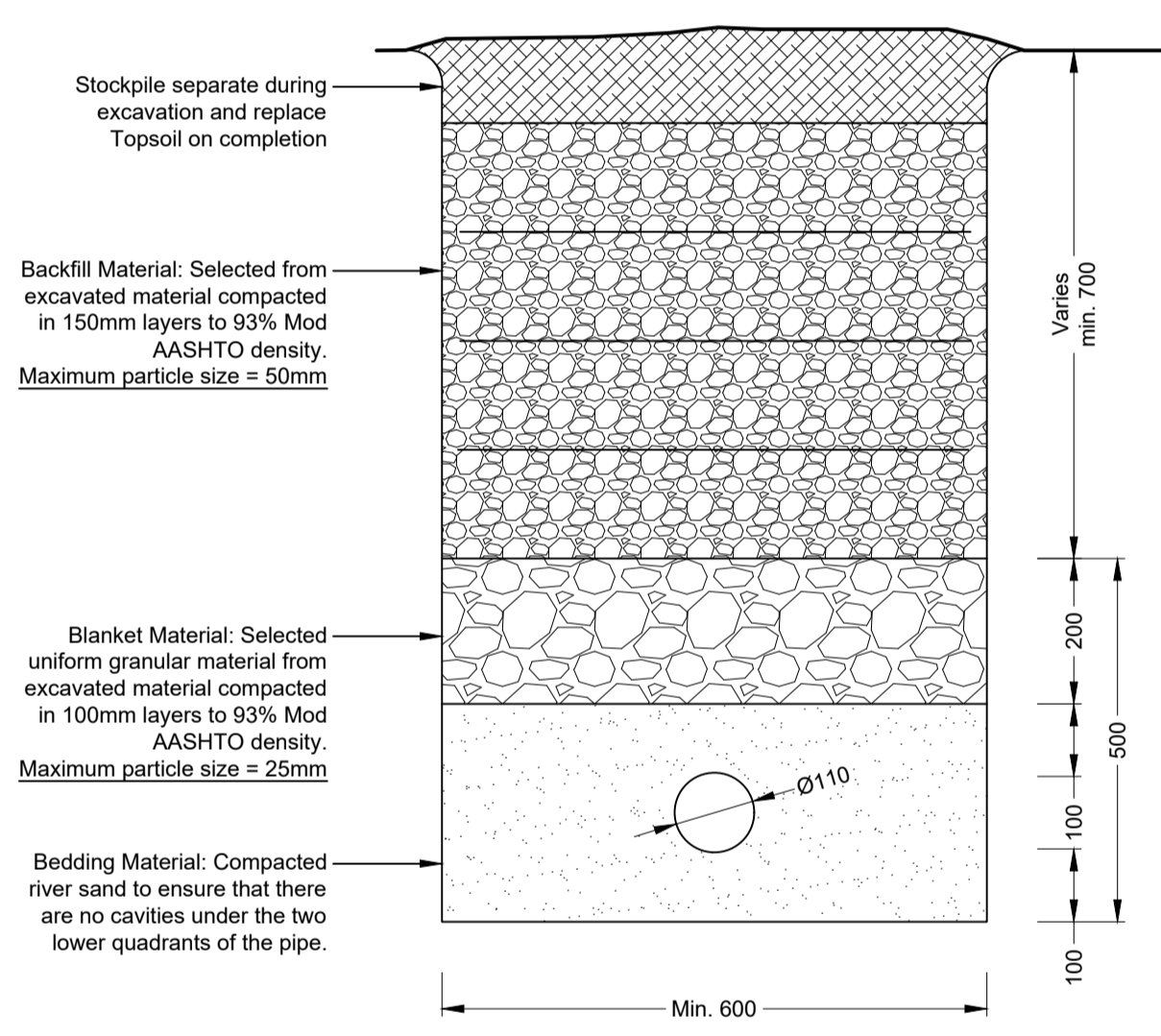


SECTION H-H
Scale 1:20

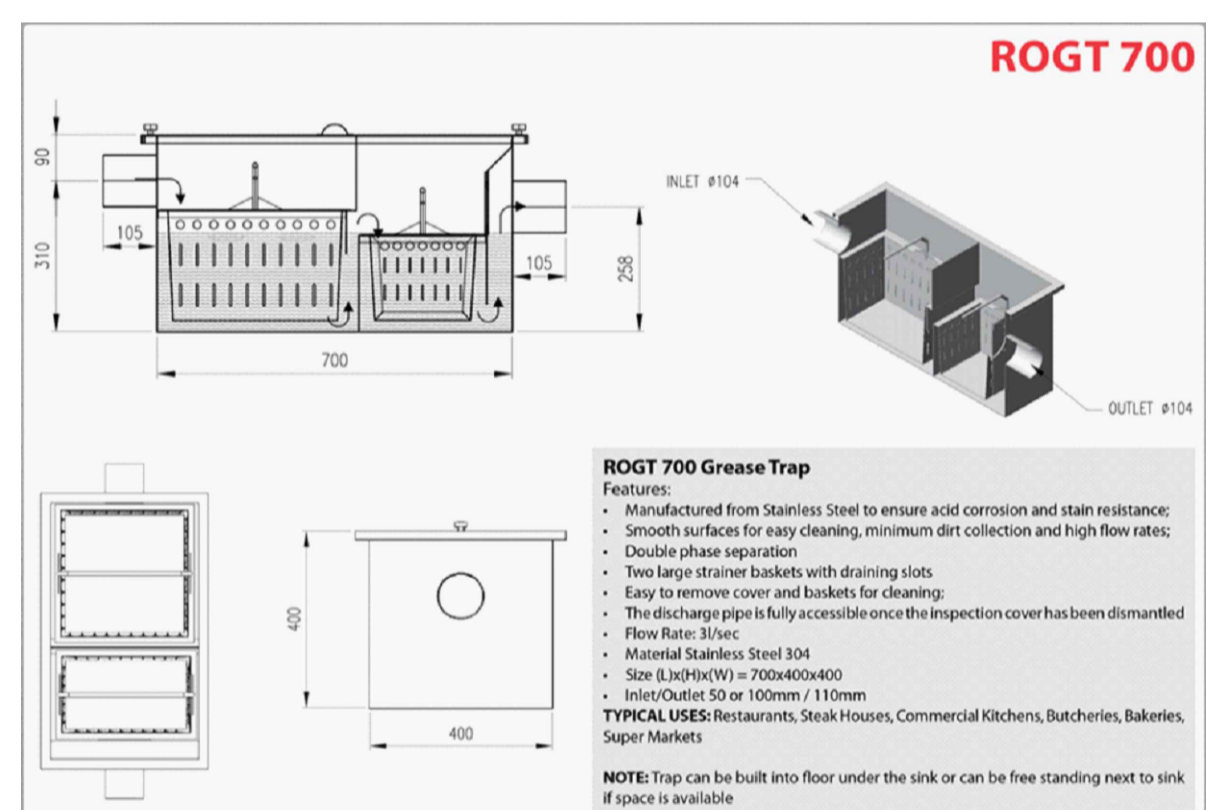
Do not scale off drawing - ASK THE ENGINEER IF UNCERTAIN!
Any discrepancies between any drawings must be clarified before work is continued on site.



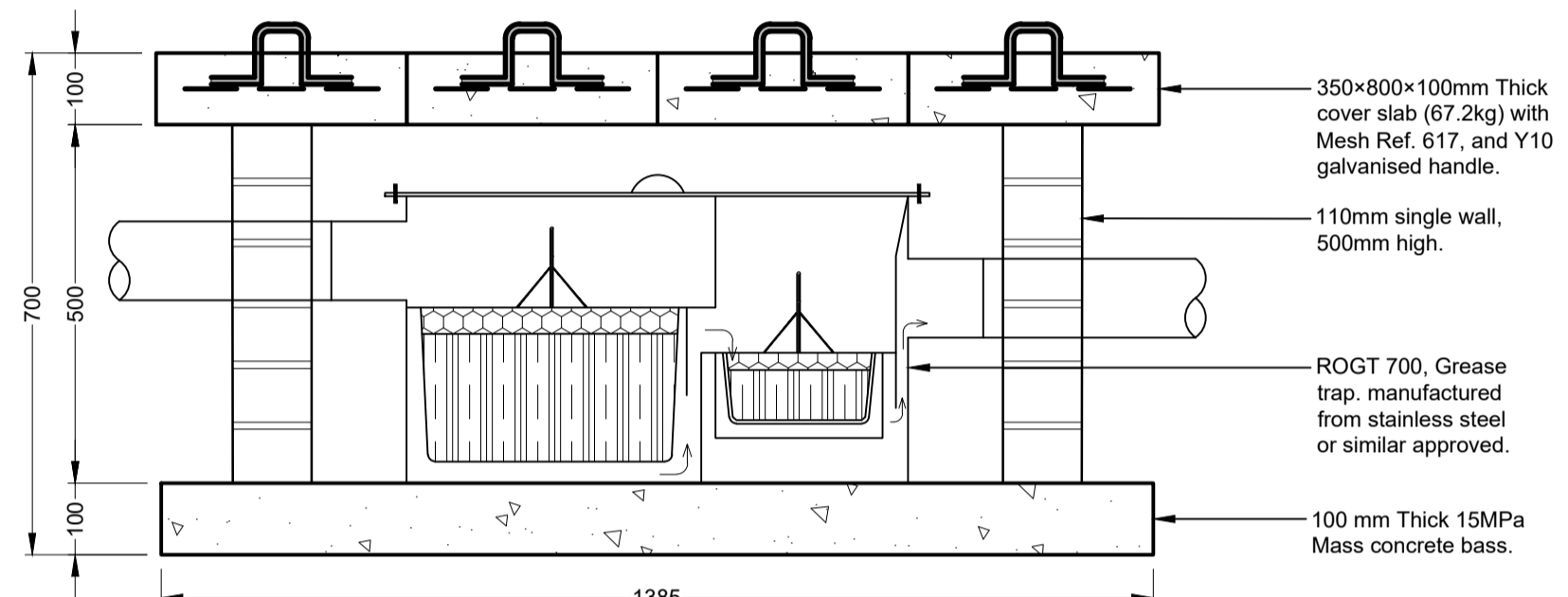
WASTE STUB STACK
NTS



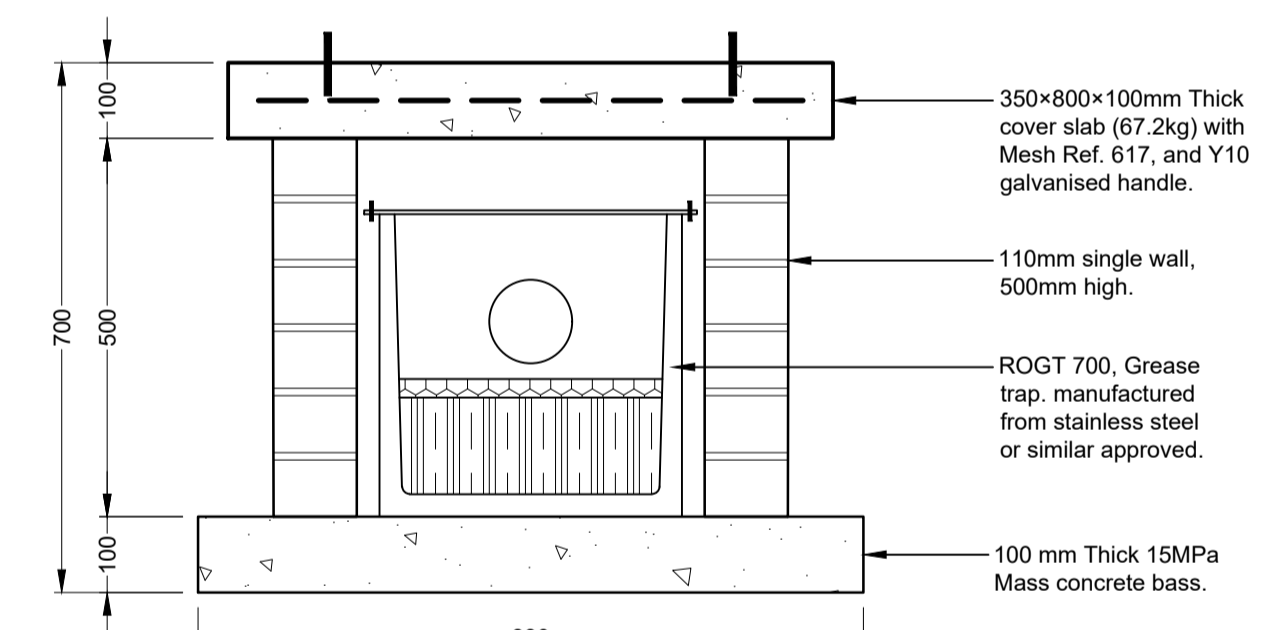
TYPICAL SEWER TRENCH DETAILS
Scale 1:10



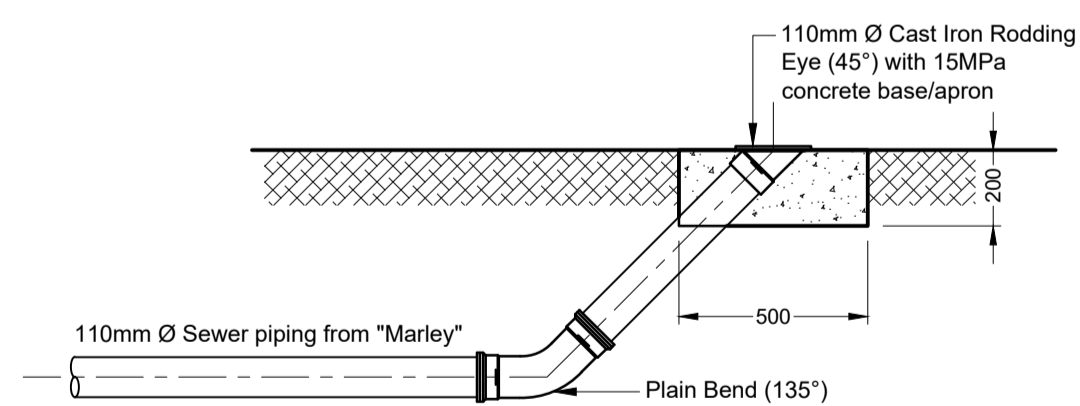
GREASE TRAP
NTS



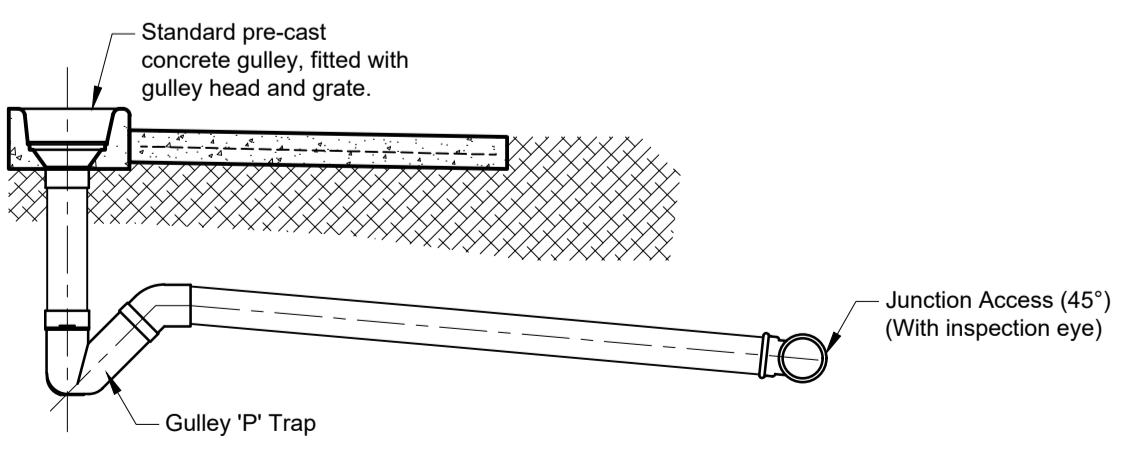
SECTION D-D
Scale 1:10



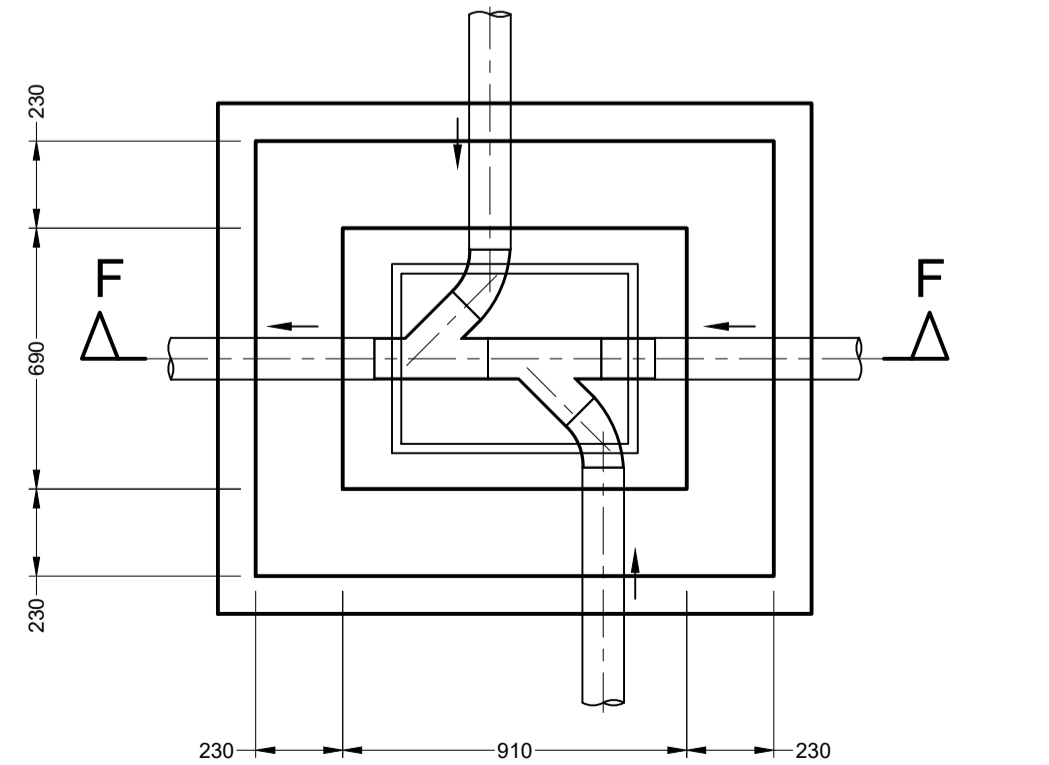
SECTION E-E
Scale 1:10



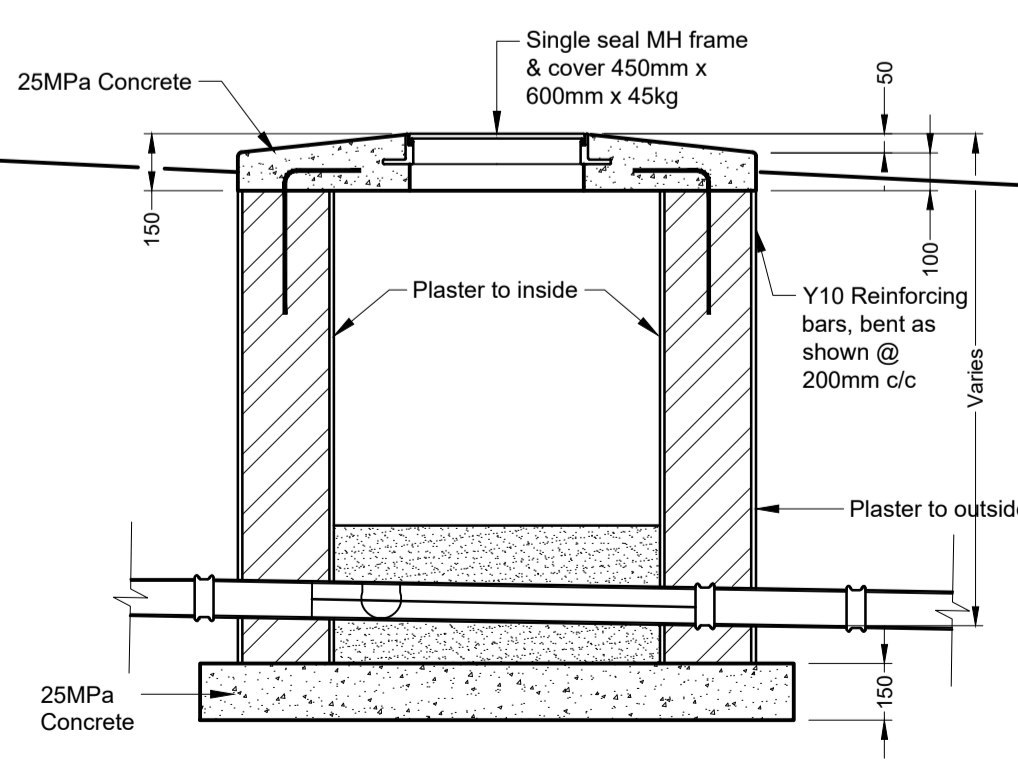
RODDING EYE
Scale 1:20



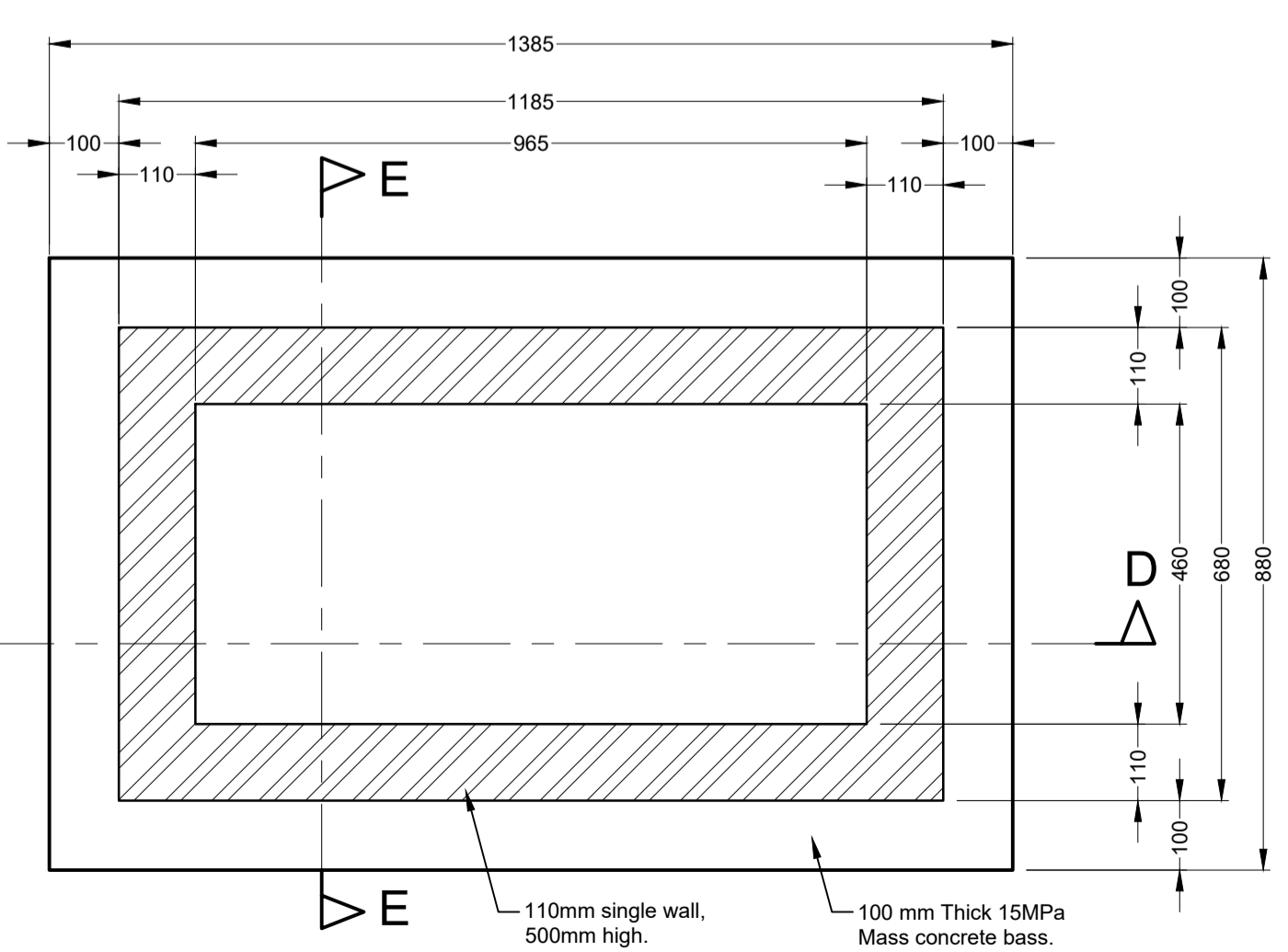
GULLEY
Scale 1:20



TYPICAL MANHOLE PIPE DIRECTION DETAIL
Scale 1:20



SECTION F-F
Scale 1:20



GREASE TRAP PLAN
Scale 1:10

READ THIS DRAWING IN CONJUNCTION WITH

Drawing Number	Drawing Description

AMENDMENTS

Rev.	Date	Description	Initials

ECA CONSULTING VRYHEID
OFFICE:
 161 High Street |
 Vryheid | Kwa Zulu Natal |
 RSA
 vryheid@ecaconsult.co.za
 Tel: +27 (0)34 983 2825
 www.ecaconsult.co.za
Civil and Structural Engineers
 Company Reg.: 2004/019299/07
 ISO Registered 9001:2015
OTHER OFFICES:
 MBOMBELA | GAUTENG |
 PIETERMARITZBURG |
 LADYSMITH

Approved by Engineer: _____ Signature: _____
 Name: J.W. Janse v Rensburg
 Designation: PrTechEng
 ECSA Reg.: 201070143 Date: 5 Dec 2024

Project Funder/ Client:

NKOMAZI LOCAL MUNICIPALITY
 Nkomazi Municipality

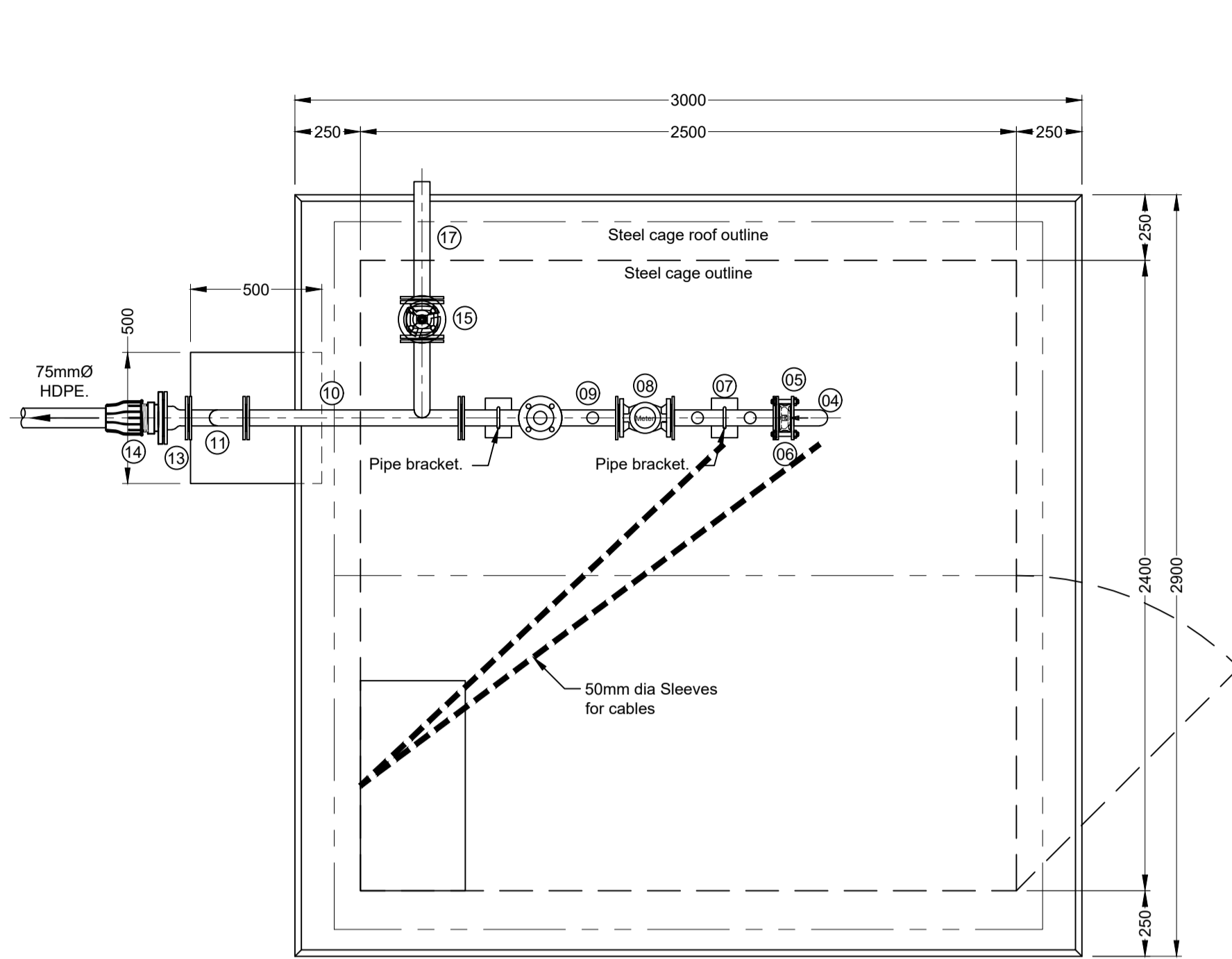
Approved by Client:
 Name: _____
 Signature: _____ Date: _____

Project:
SCHOEMANSDAL SPORTS FACILITY

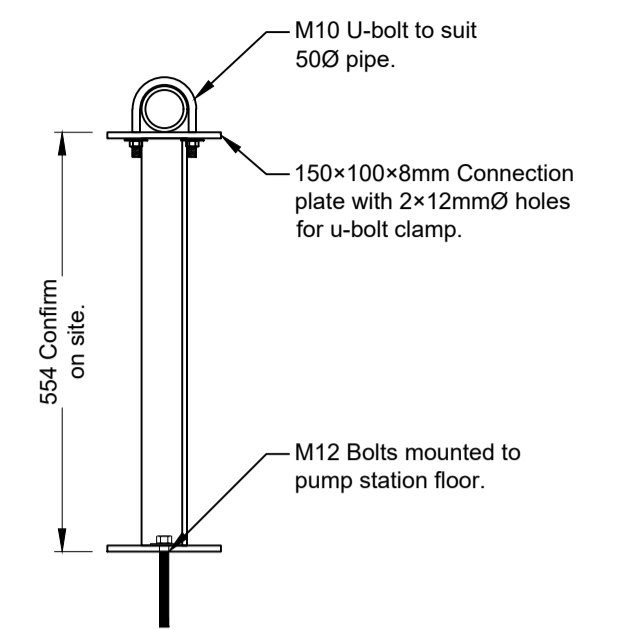
Drawing description:
TYPICAL SEWER DETAILS

Drawn: G.D Bezuienhout Checked: J. J v Rensburg
 Date: 23 Sep 2024 Date: 02 Dec 2024

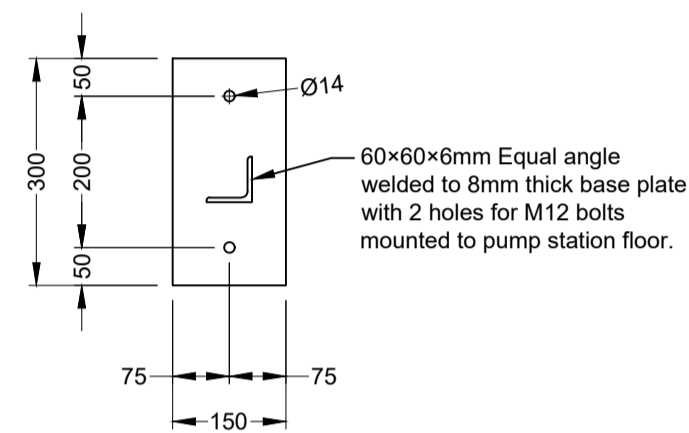
Scales: As Shown
 Drawing number: 23-017-M-04-08 Rev.: 00



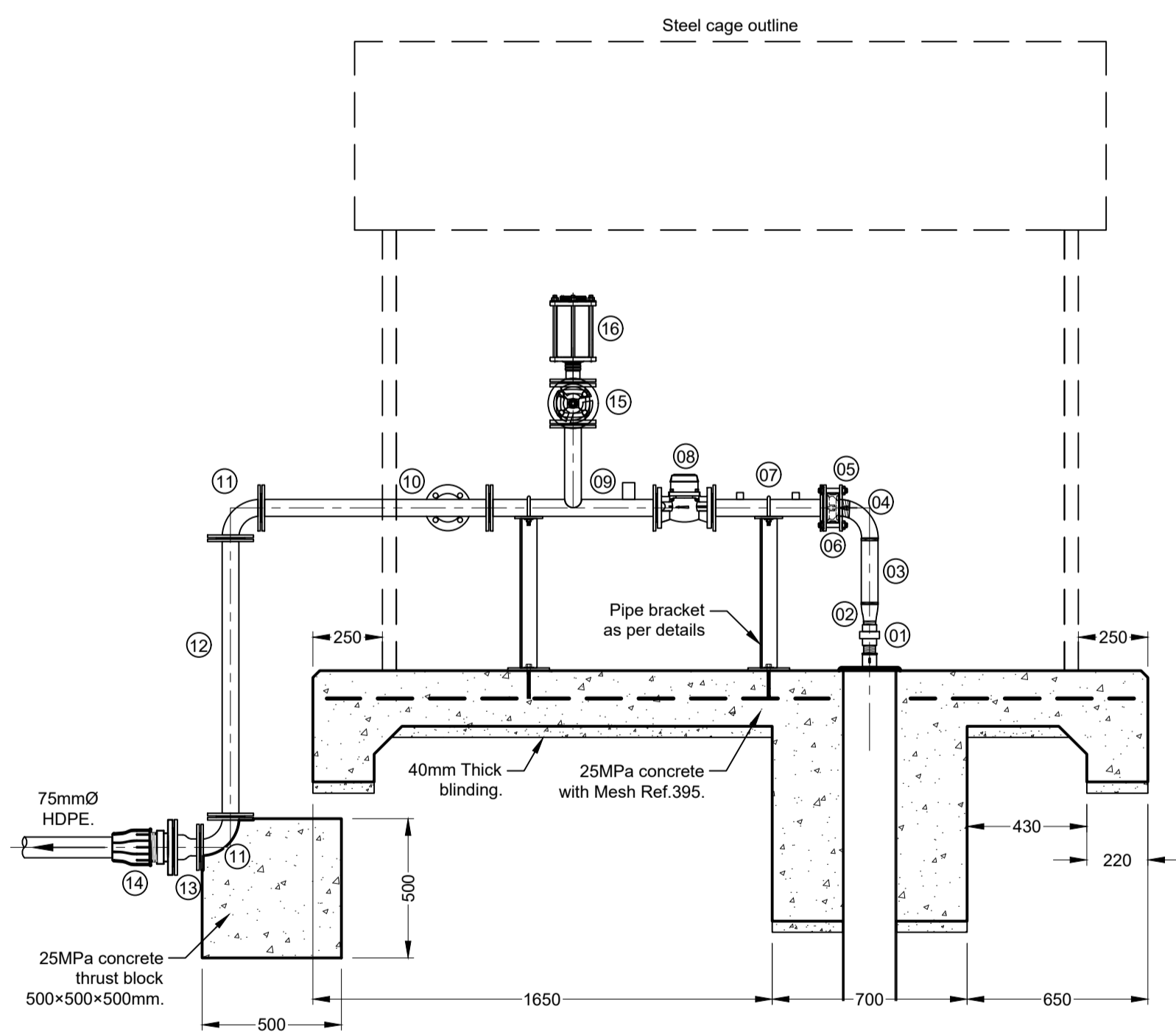
PUMP STATION LAYOUT PLAN
Scale 1:20



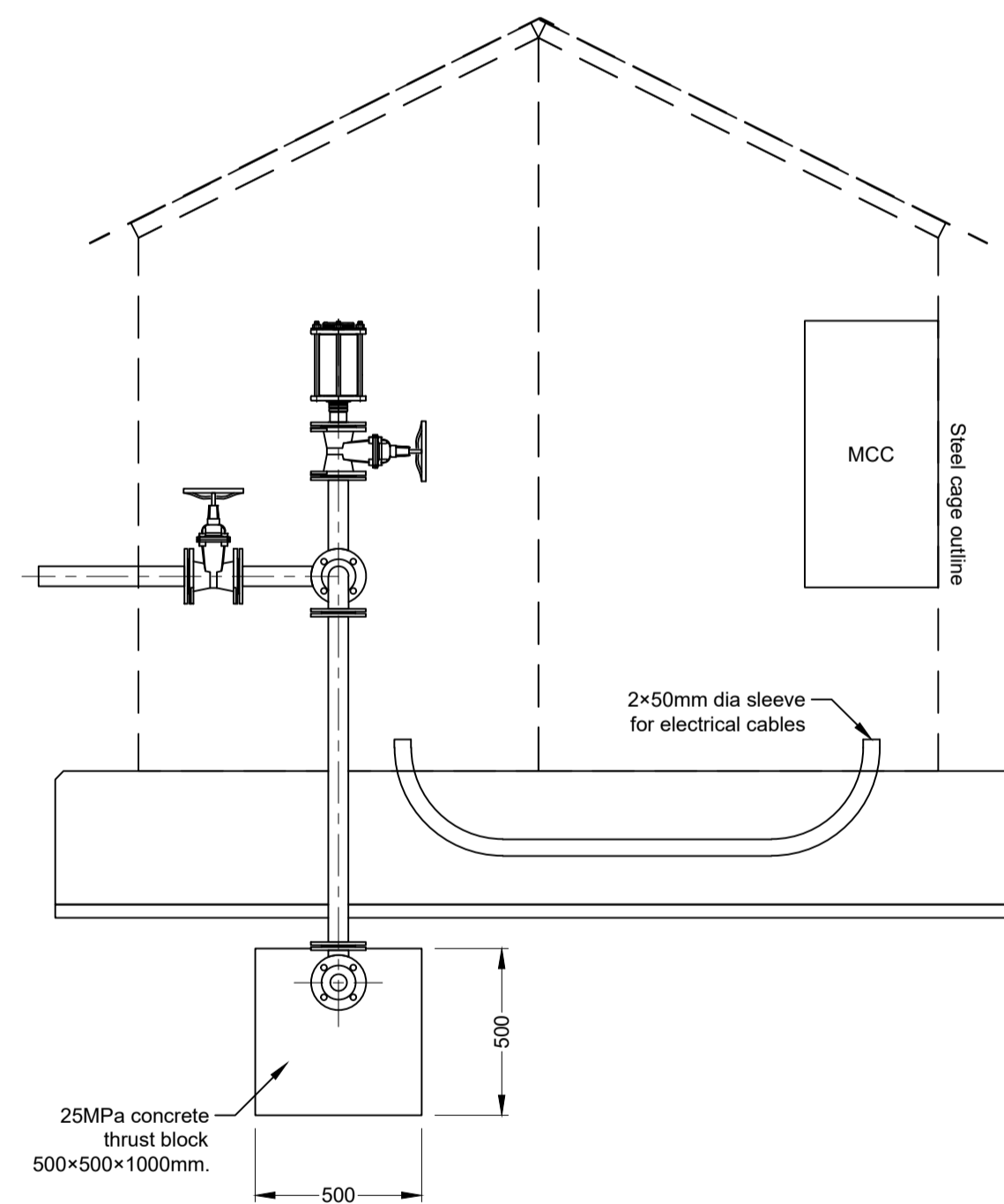
PIPE BRACKET DETAIL
Scale 1:10



PIPE BRACKET PLAN
Scale 1:10



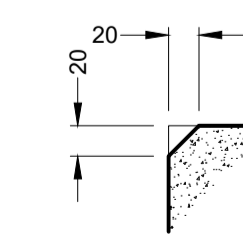
PUMP STATION LAYOUT DETAILS
Scale 1:20



PUMP STATION ELEVATION
Scale 1:20

Item No.	No Off.	Dia(mm) ND	Description	Drawing
01	01	400	1 & 1/2" BSP union & nipple.	
02	01	400 500	40mmØ-50mmØ 1xMale, 1xFemale threaded reducer.	
03	01	500	50mmØ Straight, male threaded.	
04	01	500	50mmØ 90° Long radius bend, 1xMale, 1xfemale threaded.	
05	01	500	50mmØx2" Treated T16 flange.	
06	01	500	50mmØ Non return valve.	
07	02	500	50mmØ Straight with 2x1" Forged Coupling to BS 3799 (ANSI B16.11), T16 flanged.	
08	01	500	50mmØ WP Dynamic pulse output water meter DN50, T16 flanged.	
09	01	500	50mmØ Straight, with 1x50mmØ branch & 1" Forged Coupling to BS 3799 (ANSI B16.11), T16 flanges.	
10	01	500	50mmØ Straight, with 1x50mmØ branch, T16 flanges.	
11	02	500	50mmØ 90° Long radius bend, T16 flanged.	
12	01	500	50mmØ Straight, T16 flanged.	
13	01	500 800	50mmØ to 80mmØ Reducer, T16 flanged.	
14	01	800	75mmØx3" flanged adapter, Table 16.	
15	02	500	50mm Ø RS Gate Valve with hand wheel, to SABS 664, T16 flanged.	
16	01	500	50mm Variant air valve, model: 050LW25 Flanged	
17	01	500	50mmØ Straight with 1xT16 flange.	

GENERAL PIPE WORK NOTES:
 • All steel pipework to be hot dipped galvanised.
 • All dimensions to be confirmed on site before manufacturing.
 • All compression fittings to be 16 Bar rated, SABS approved.



CHAMFER DETAILS
Scale 1:5

All exposed concrete edges to be chamfered 20mm x 20mm. Except if specified differently.

Do not scale off drawing - ASK THE ENGINEER IF UNCERTAIN!
 Any discrepancies between any drawings must be clarified before work is continued on site.

FOR TENDER PURPOSES ONLY

READ THIS DRAWING IN CONJUNCTION WITH

Drawing Number	Drawing Description
23-017-M-04-10	Single Pump Cage Details

AMENDMENTS

Rev.	Date	Description	Initials

ECA CONSULTING VRYHEID OFFICE:
 161 High Street | Vryheid | Kwa Zulu Natal | RSA
 vryheid@ecaconsult.co.za
 Tel: +27 (0)34 983 2825
 www.ecaconsult.co.za
Civil and Structural Engineers OTHER OFFICES:
 MBOMBELA | GAUTENG | PIETERMARITZBURG | LADYSMITH
 Company Reg.: 2004/019299/07
 ISO Registered 9001:2015

Approved by Engineer: J.W. Janse v Rensburg
 Designation: PrTechEng
 ECOSA Reg.: 201070143
 Signature: _____
 Date: 9 Dec 2024

Project Funder/ Client:

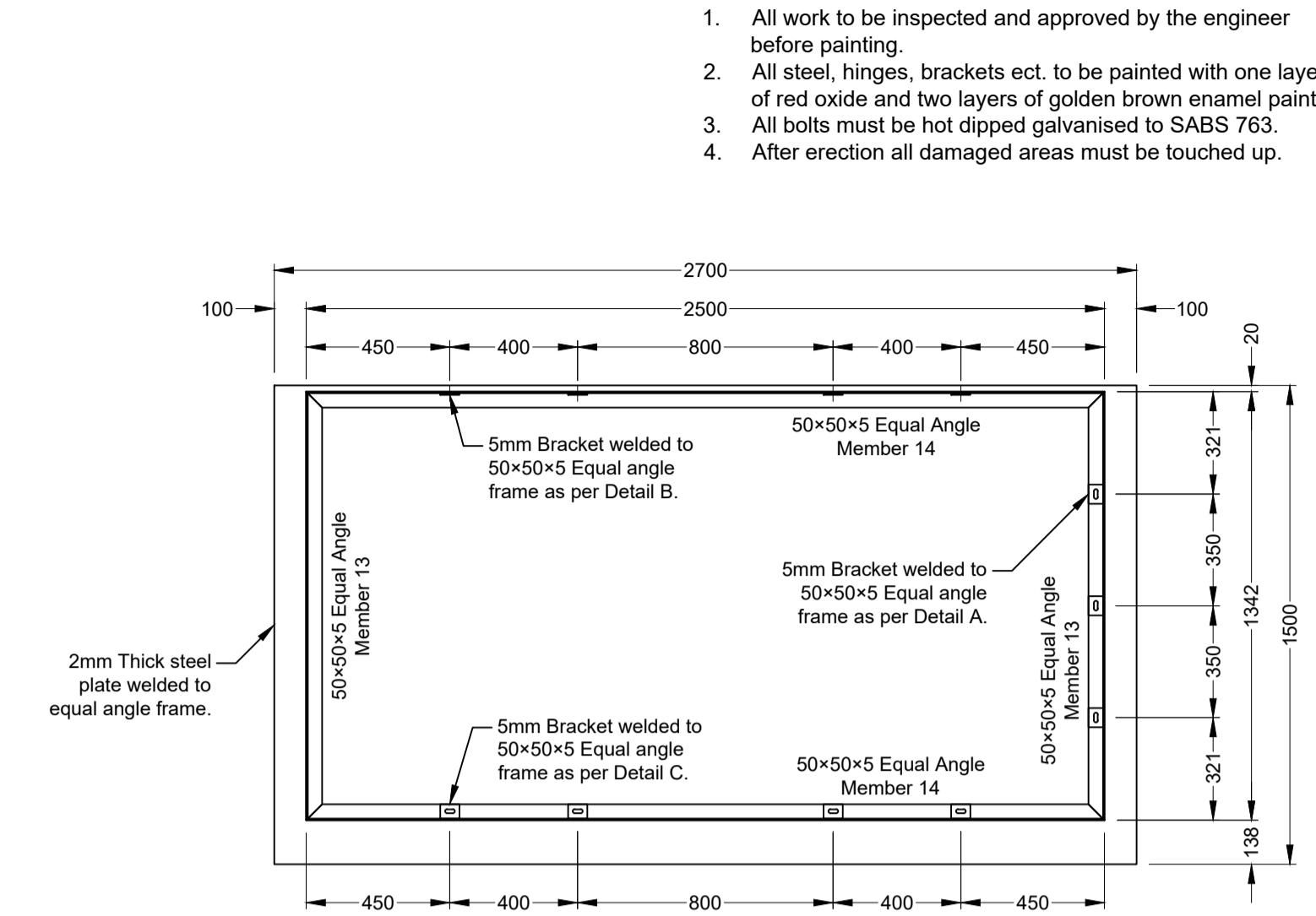
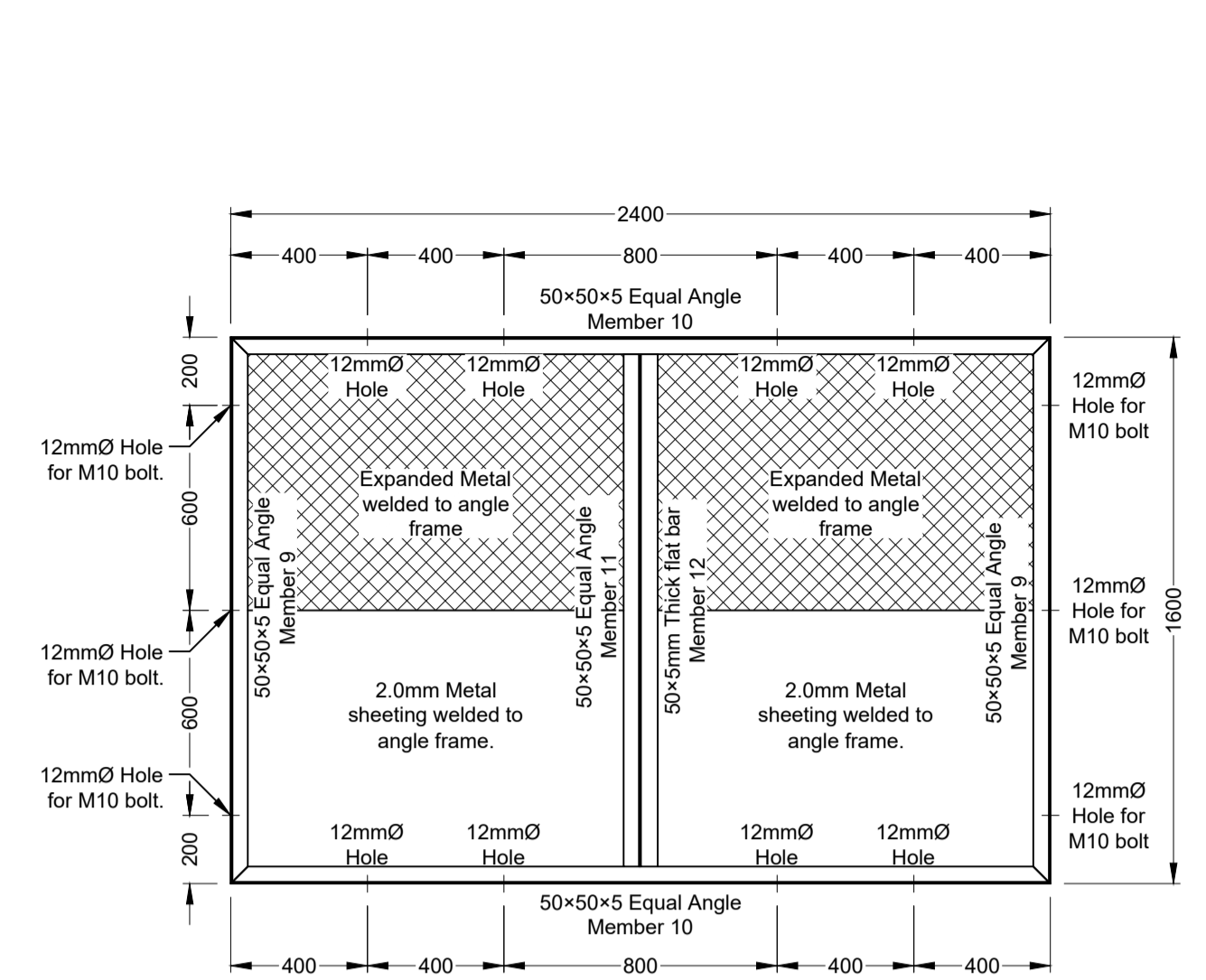
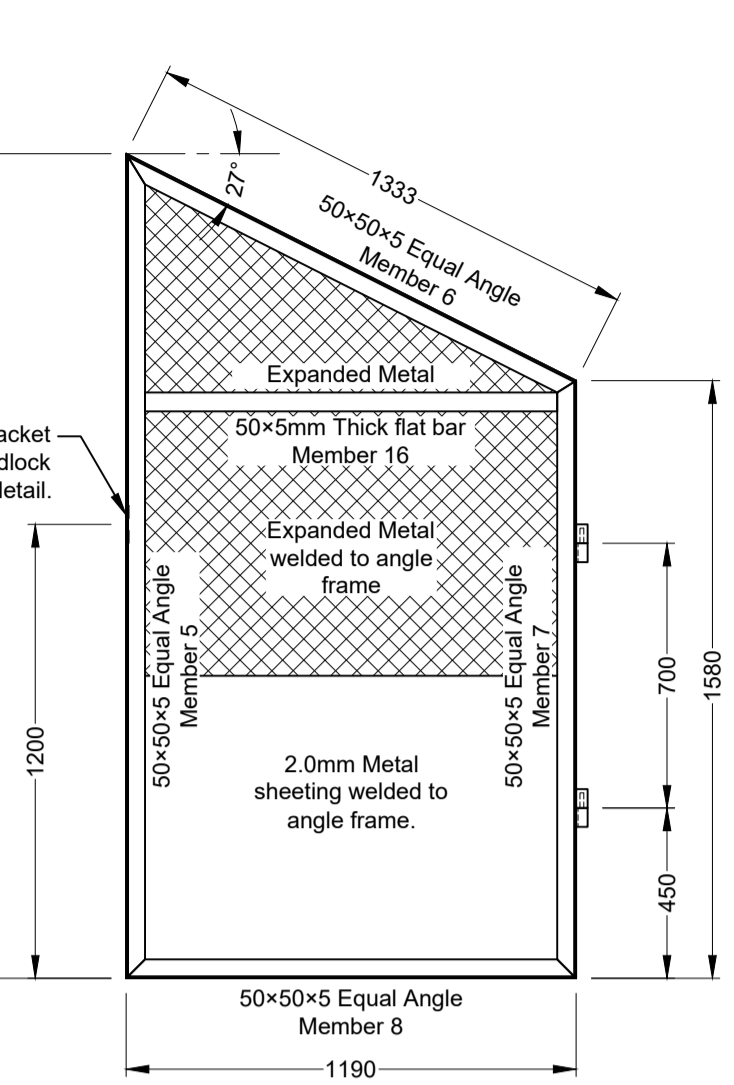
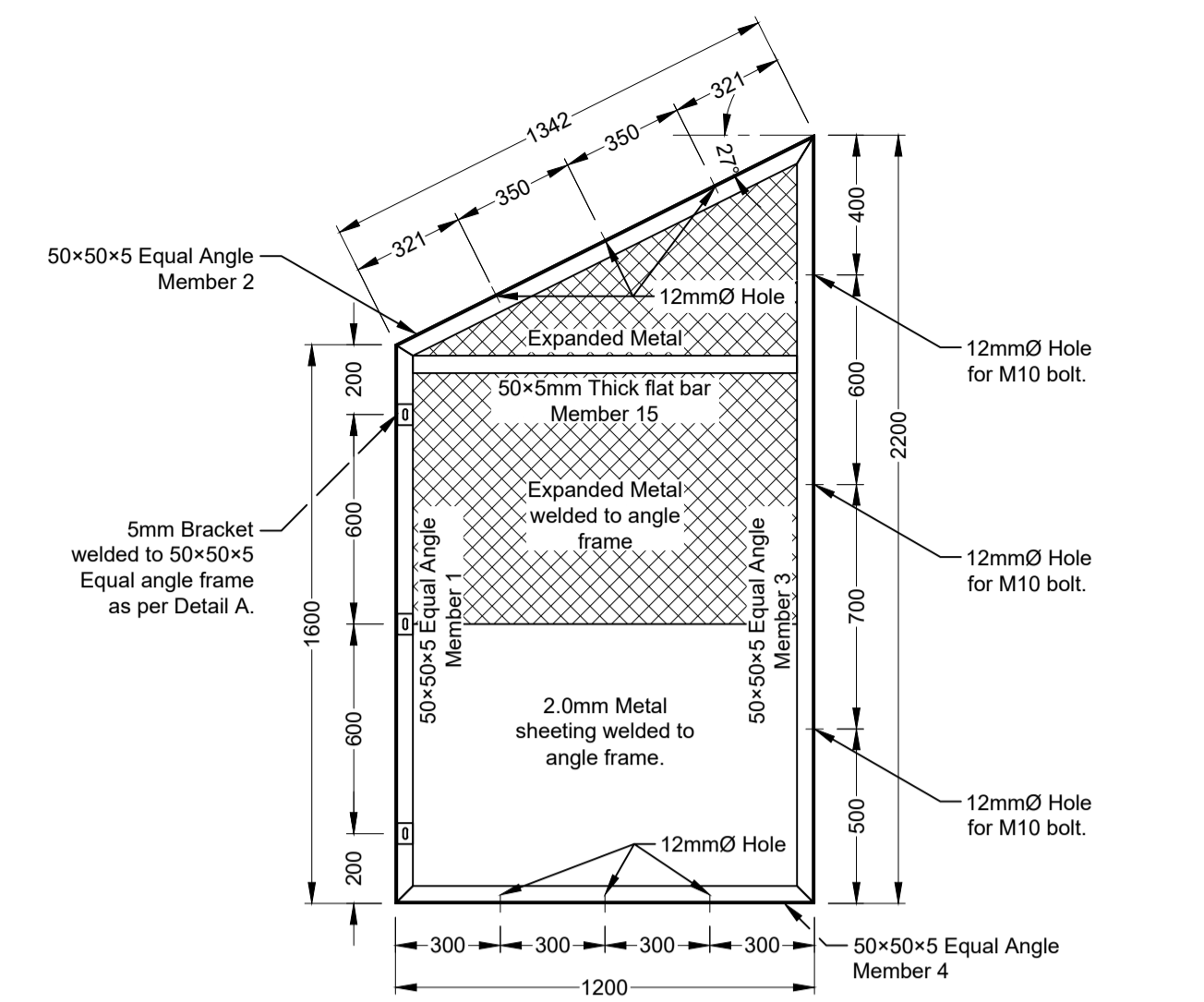
NKOMAZI LOCAL MUNICIPALITY
 Nkomazi Municipality

Approved by Client:
 Name: _____
 Signature: _____
 Date: _____

Project:
SCHOEMANSDAL SPORTS FACILITY

Drawing description:
PUMP STATION LAYOUT PLAN & DETAILS

Drawn: G.D Bezuienhout	Checked: J. J v Rensburg
Date: 23 Sep 2024	Date: 02 Dec 2024
Scale/s: As Shown	
Drawing number: 23-017-M-04-09	Rev.: 00



- Notes
- All work to be inspected and approved by the engineer before painting.
 - All steel, hinges, brackets ect. to be painted with one layer of red oxide and two layers of golden brown enamel paint.
 - All bolts must be hot dipped galvanised to SABS 763.
 - After erection all damaged areas must be touched up.

Do not scale off drawing - ASK THE ENGINEER IF UNCERTAIN!
Any discrepancies between any drawings must be clarified before work is continued on site.

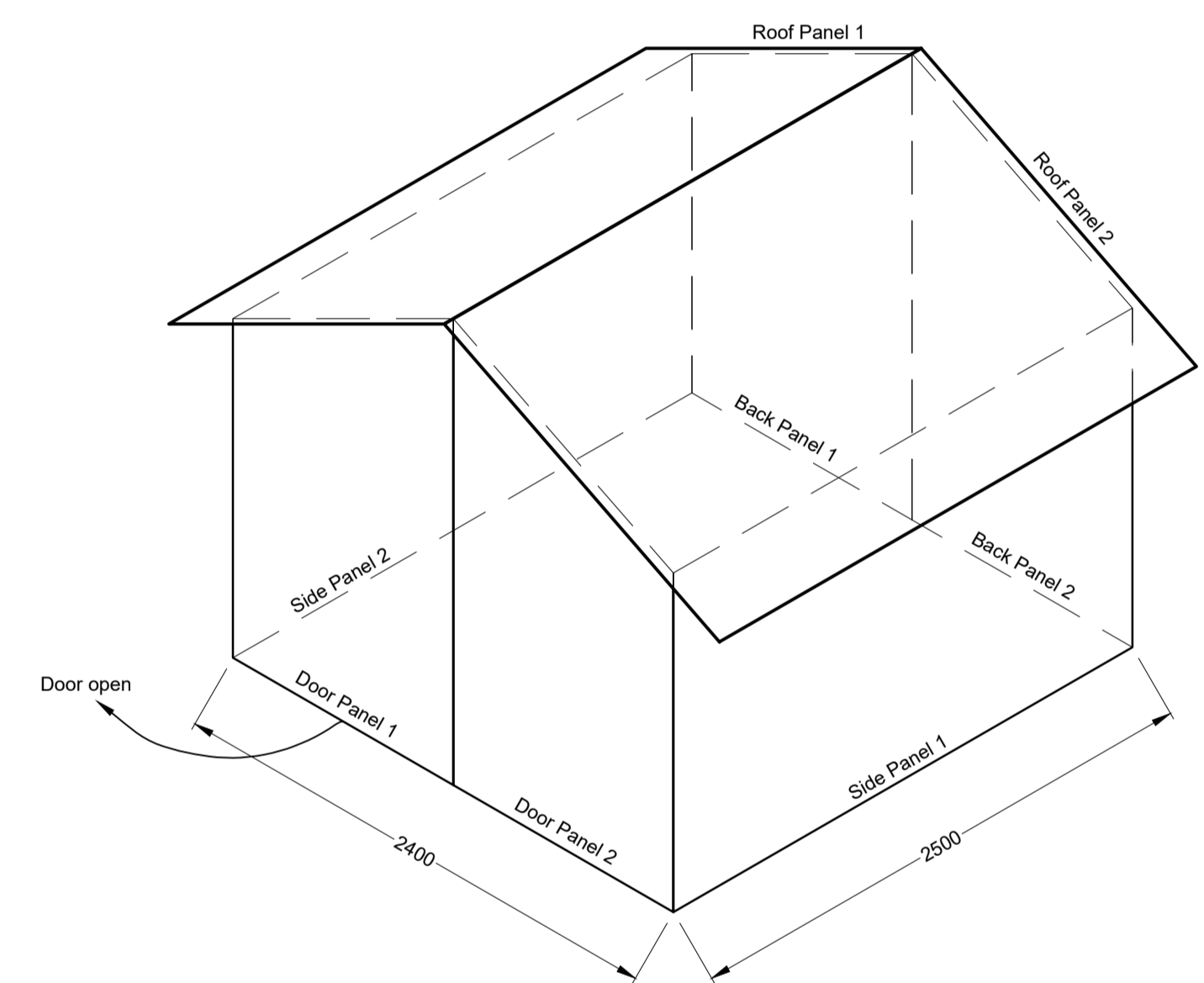
FOR TENDER PURPOSES ONLY

BACK PANEL 1 AS SEEN FROM THE INSIDE
(BACK PANEL 2 AND DOOR PANEL 2 ARE SIMILAR)
Scale 1:20

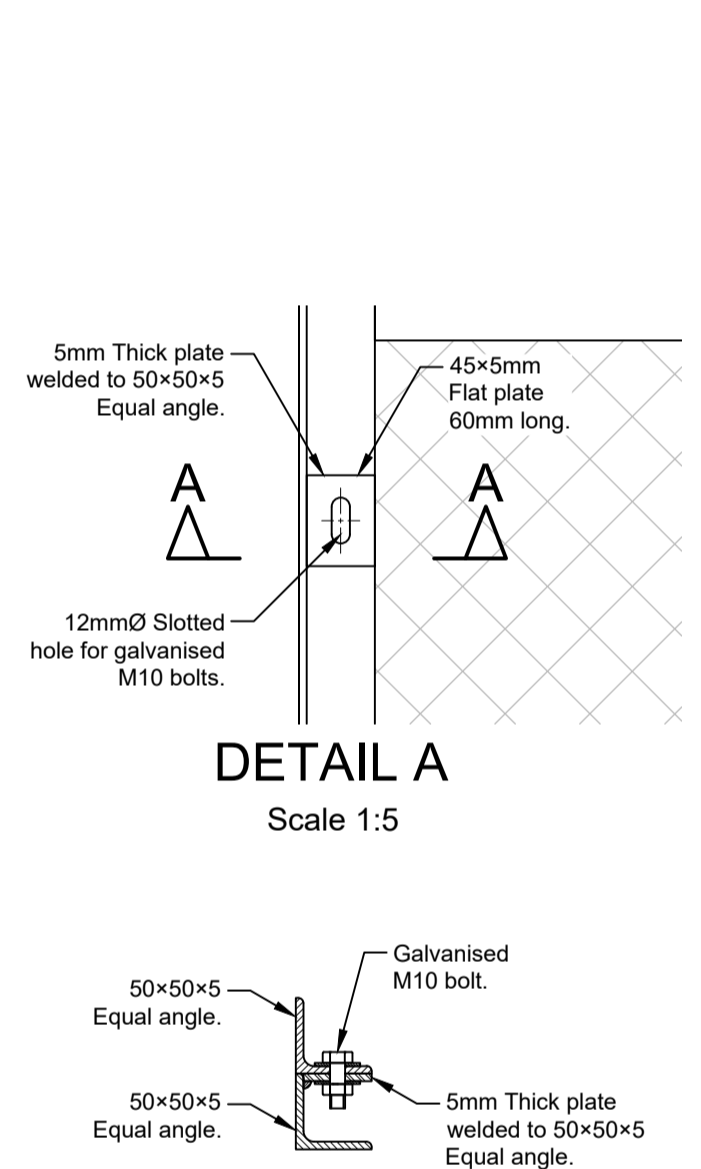
DOOR PANEL 1 AS SEEN FROM THE INSIDE
Scale 1:20

SIDE PANEL 1 AS SEEN FROM THE INSIDE
(SIDE PANEL 2 SIMILAR)
Scale 1:20

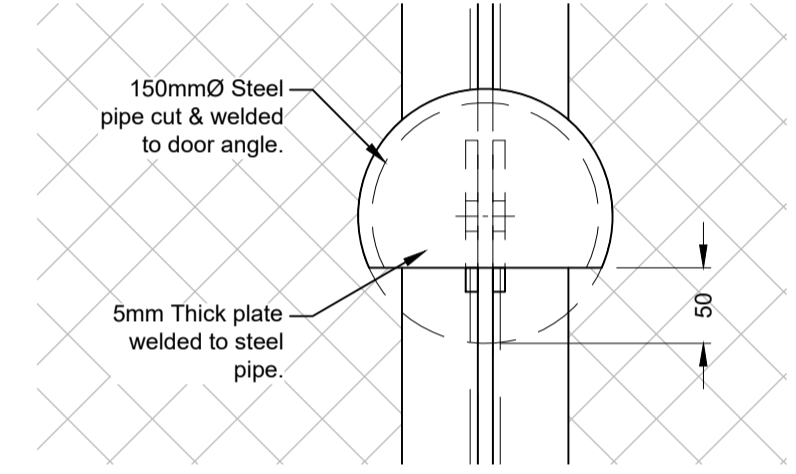
ROOF PANEL 1 AS SEEN FROM THE INSIDE
(ROOF PANEL 2 SIMILAR)
Scale 1:20



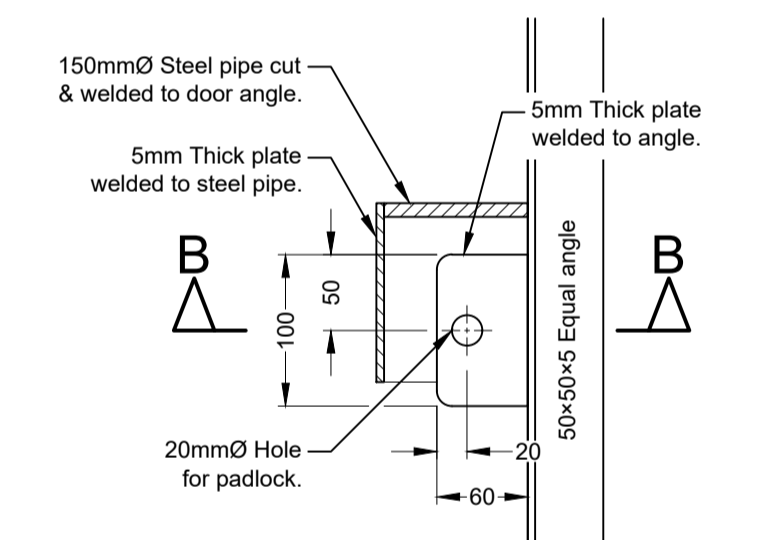
SCHEMATIC ASSEMBLY DETAIL
NTS



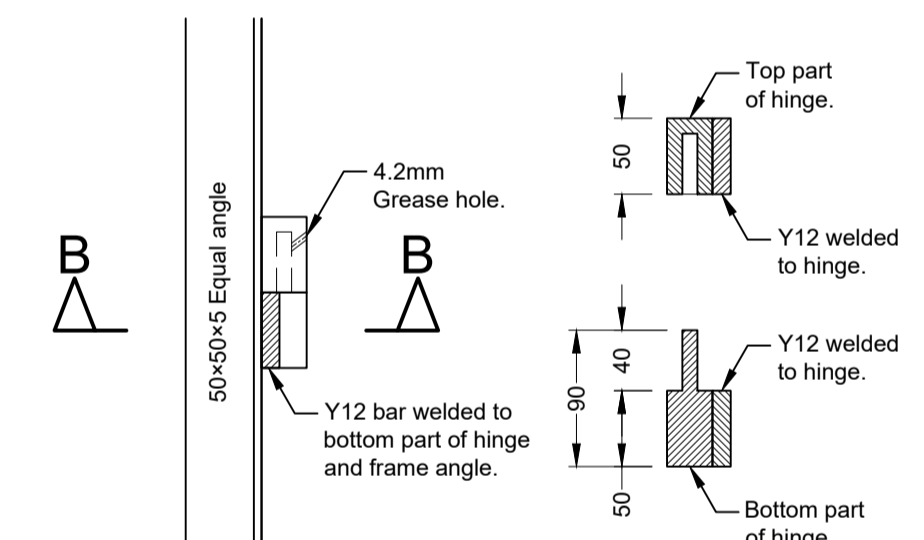
SECTION A-A
Scale 1:5



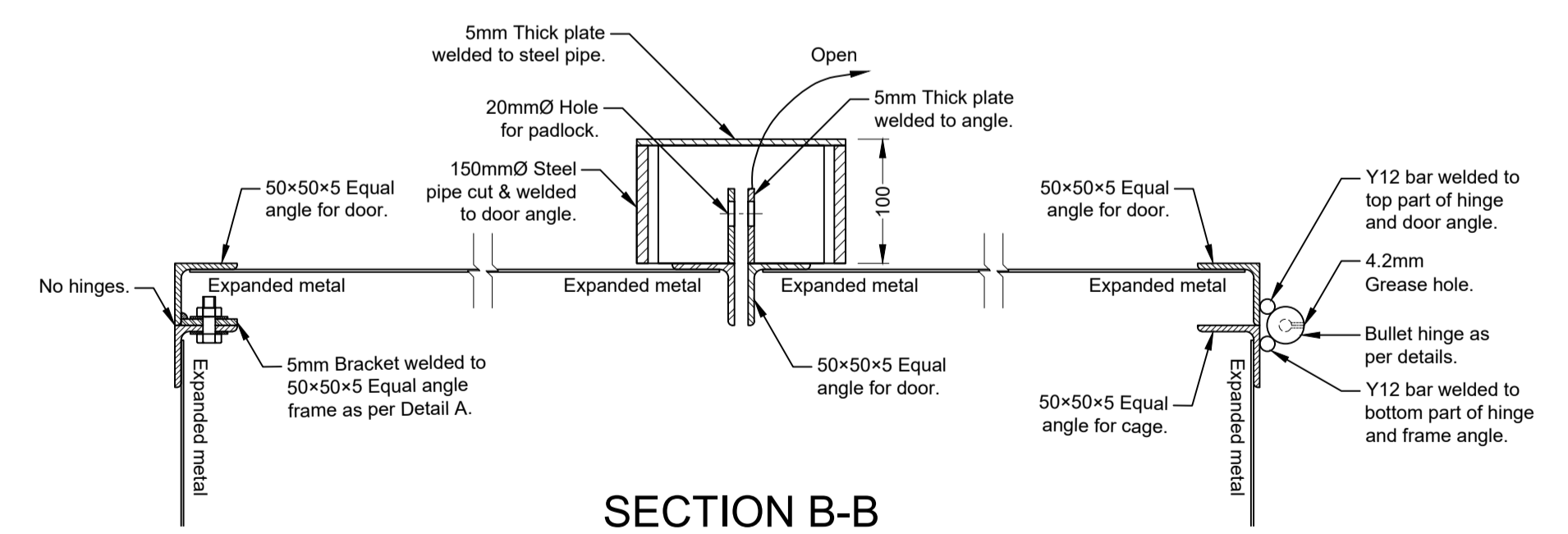
PADLOCK COVER DETAIL
Scale 1:10



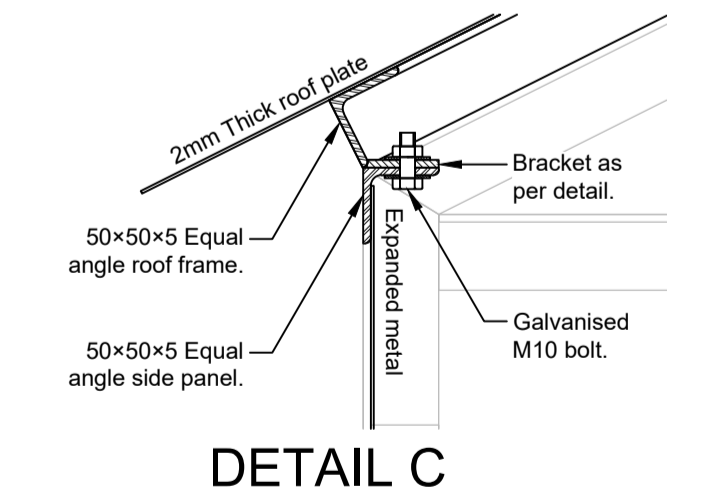
PADLOCK BRACKET DETAIL
Scale 1:5



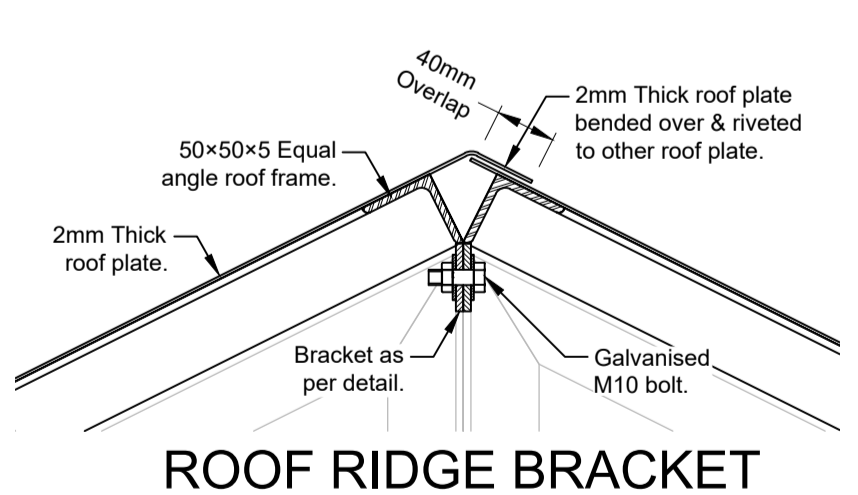
BULLET HINGE DETAIL
Scale 1:5



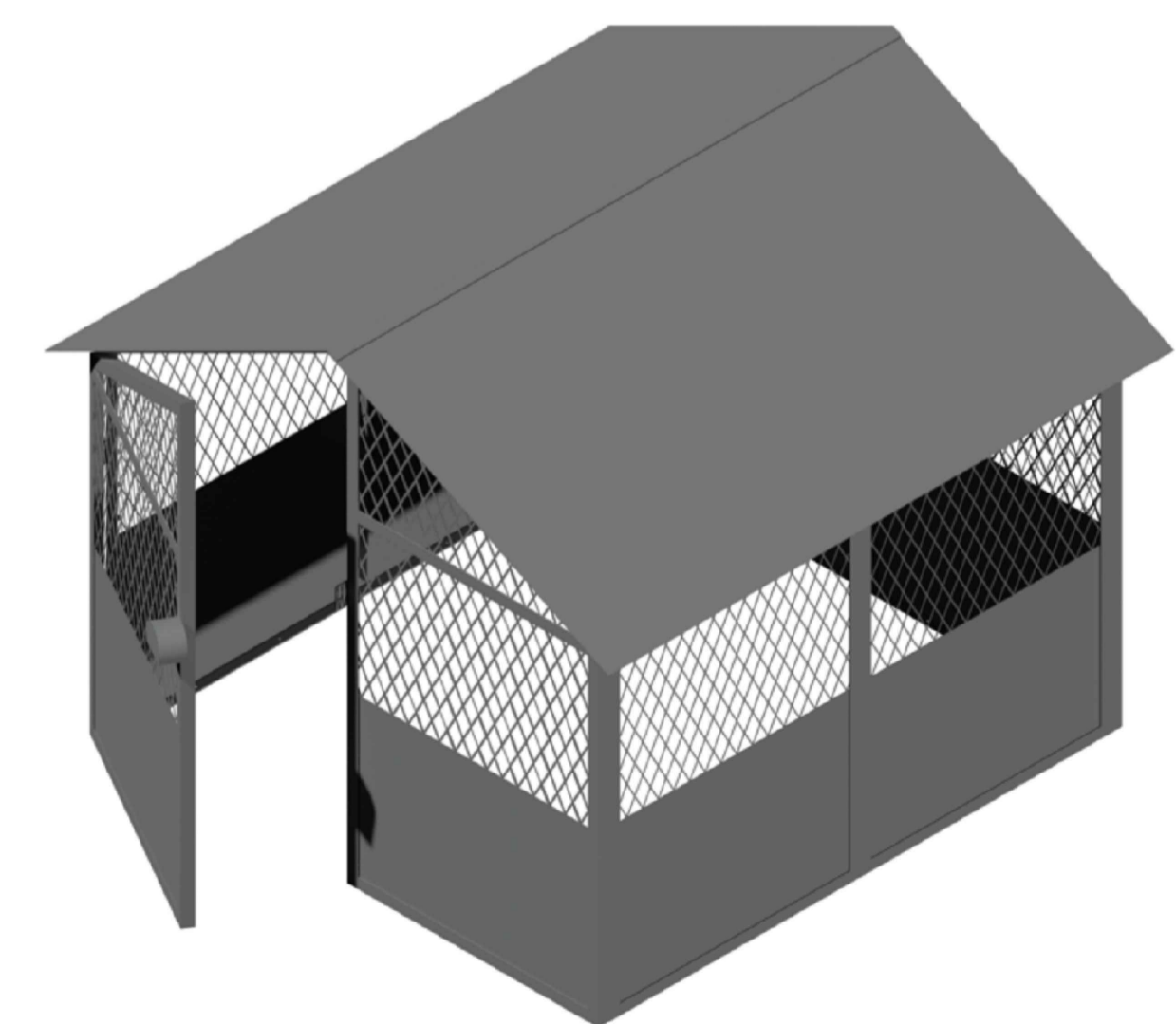
SECTION B-B
Scale 1:5



DETAIL C
Scale 1:5



ROOF RIDGE BRACKET
(DETAIL B)
Scale 1:5



3D VIEW OF CAGE
NTS

MEMBER LIST			
Member name	Quantity	Description	Cut Length (mm)
Member 1	3	50x50x5 Equal Angle	1 600mm
Member 2	3	50x50x5 Equal Angle	1 342mm
Member 3	3	50x50x5 Equal Angle	2 200mm
Member 4	3	50x50x5 Equal Angle	1 200mm
Member 5	1	50x50x5 Equal Angle	2 180mm
Member 6	1	50x50x5 Equal Angle	1 333mm
Member 7	1	50x50x5 Equal Angle	1 580mm
Member 8	1	50x50x5 Equal Angle	1 190mm
Member 9	4	50x50x5 Equal Angle	1 600mm
Member 10	4	50x50x5 Equal Angle	2 400mm
Member 11	2	50x50x5 Equal Angle	1 500mm
Member 12	2	50x5 Flat Bar	1 500mm
Member 13	4	50x50x5 Equal Angle	1 342mm
Member 14	4	50x50x5 Equal Angle	2 500mm
Member 15	3	50x5 Flat Bar	1 100mm
Member 16	1	50x5 Flat Bar	1 090mm
Mesh Sheets	8	Expanded metal Flat EX-CQ-HR 346x30x55x3.0x1200x2400 ECONO	Fit To Size

READ THIS DRAWING IN CONJUNCTION WITH

Drawing Number	Drawing Description

AMENDMENTS

Rev.	Date	Description	Initials

ECA CONSULTING VRYHEID OFFICE:
161 High Street | Vryheid | Kwa Zulu Natal | RSA
vryheid@ecaconsult.co.za
Tel: +27 (0)34 983 2825
www.ecaconsult.co.za
Civil and Structural Engineers
Company Reg: 2004/019299/07
ISO Registered 9001:2015
OTHER OFFICES:
MBOMBELA | GAUTENG | PIETERMARITZBURG | LADYSMITH

Approved by Engineer: _____ Signature: _____
Name: J.W. Janse v Rensburg
Designation: PrTechEng
ECSA Reg.: 201070143 Date: 9 Dec 2024

Project Funder/ Client:

NKOMAZI LOCAL MUNICIPALITY
Nkomazi Municipality

Approved by Client: _____
Name: _____
Signature: _____ Date: _____

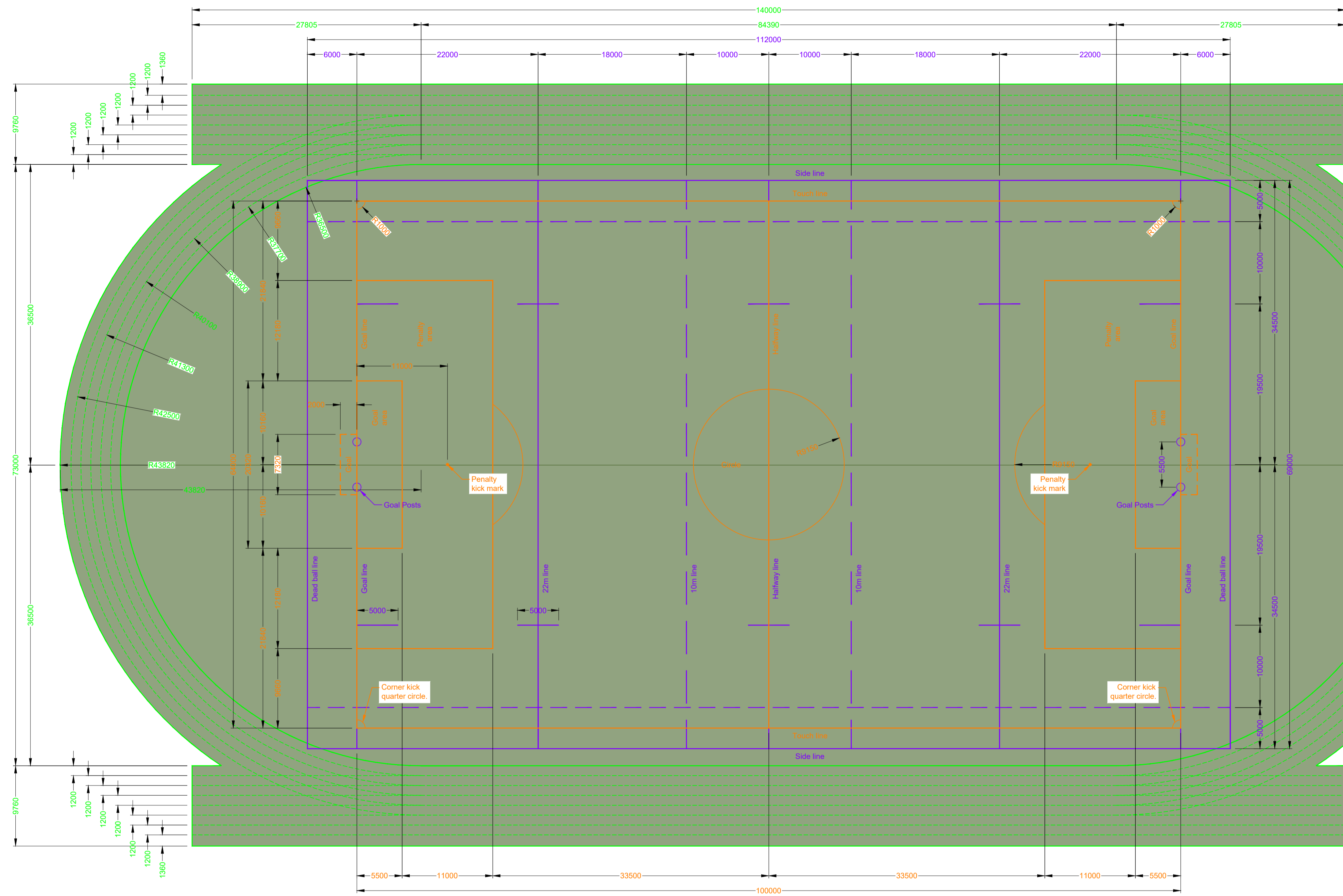
Project:
SCHOEMANSDAL SPORTS FACILITY

Drawing description:
SINGLE PUMP CAGE DETAILS

Drawn: G.D Bezuienhout Checked: J. J v Rensburg
Date: 23 Sep 2024 Date: 02 Dec 2024

Scales: As Shown

Drawing number: 23-017-M-04-10 Rev.: 00



Legend	
Athletic Track Layout	—
Rugby Field Layout	—
Soccer Field Layout	—

Do not scale off drawing - ASK THE ENGINEER IF UNCERTAIN!
Any discrepancies between any drawings must be clarified before work is continued on site.

FOR TENDER PURPOSES ONLY

READ THIS DRAWING IN CONJUNCTION WITH

Drawing Number	Drawing Description

AMENDMENTS

Rev.	Date	Description	Initials

ECA CONSULTING MBOMBELA OFFICE:
23 Marioth Street | Mbombela | Mpumalanga | RSA
mbombela@ecaconsult.co.za
Tel: +27 (0)13 752 2357
www.ecaconsult.co.za

Civil and Structural Engineers

Company Reg.: 2004/019299/07
ISO Registered 9001:2015

OTHER OFFICES:
VRYHEID | GAUTENG | PIETERMARITZBURG | LADYSMITH

Approved by Engineer: Signature: _____
Name: J.W. Janse v Rensburg
Designation: PrTechEng
ECOSA Reg.: 201070143 Date: 7 May 2025

Project Funder/ Client:

NKOMAZI LOCAL MUNICIPALITY

Approved by Client: _____
Name: _____
Signature: _____ Date: _____

Project:

SCHOEMANSDAL SPORTS FACILITY

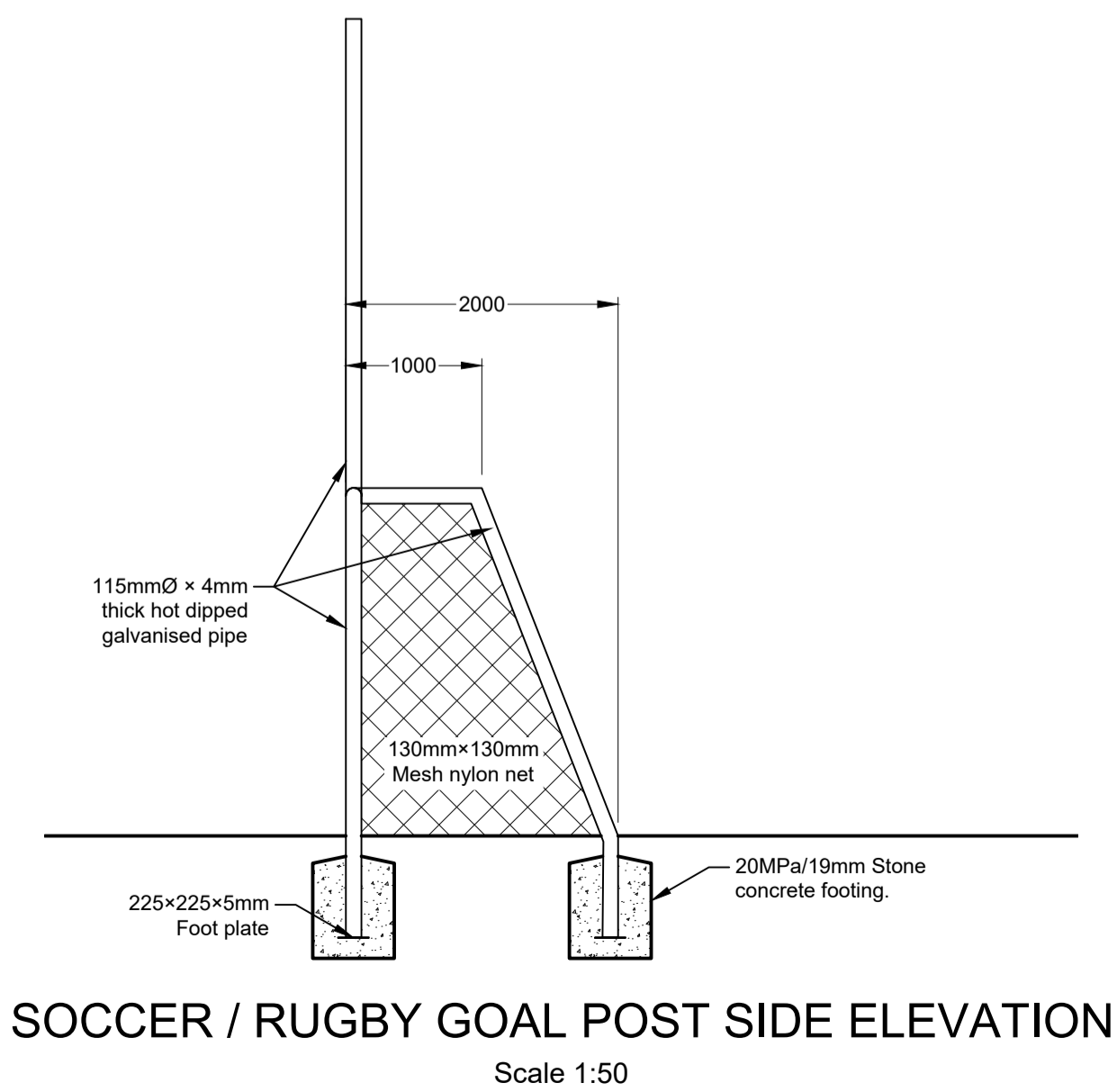
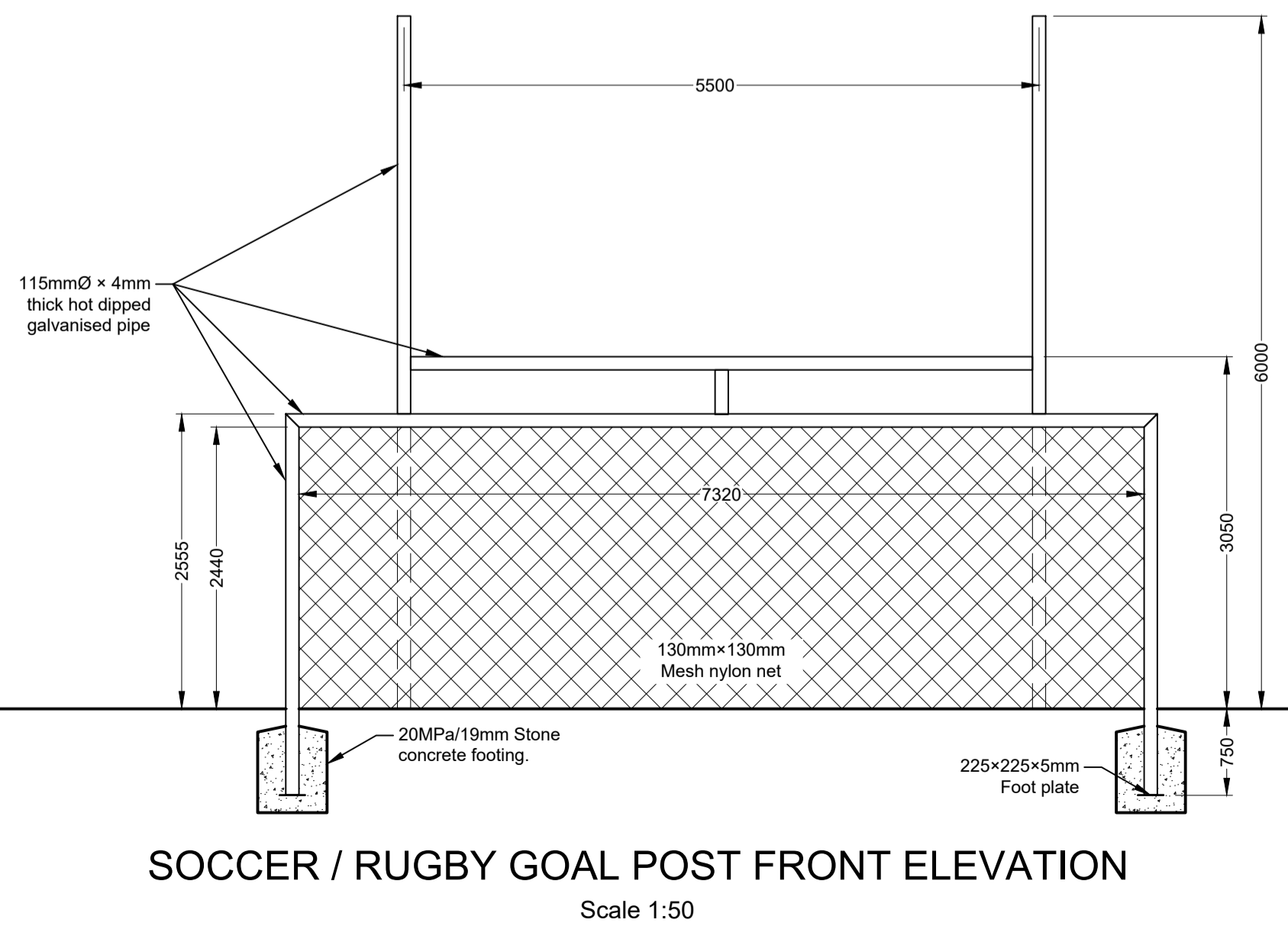
Drawing description:

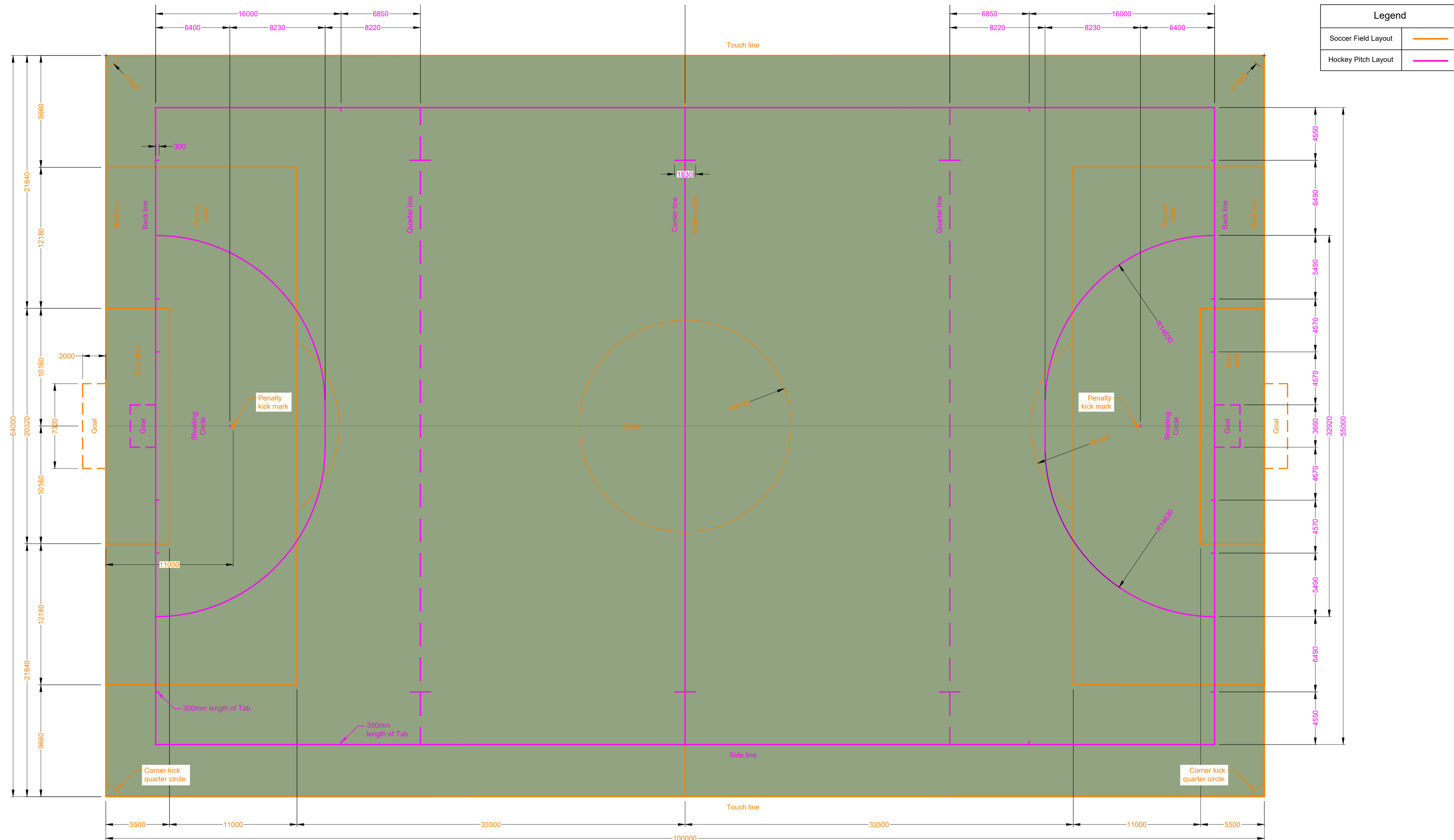
NEW FIELD A LAYOUT PLAN & DETAILS

Drawn: G.D Bezuienhout Checked: J. J v Rensburg
Date: 23 Sep 2024 Date: 02 Dec 2024

Scales: As Shown
Drawing number: Rev.: 00
23-017-M-06-01

SPORTS FIELD LAYOUT PLAN
Scale 1:300





Legend	
Soccer Field Layout	Orange line
Hockey Pitch Layout	Purple line

Do not scale off drawing - ASK THE ENGINEER IF UNCERTAIN!
Any discrepancies between any drawings must be clarified before work is continued on site.

FOR TENDER PURPOSES ONLY

READ THIS DRAWING IN CONJUNCTION WITH

Drawing Number	Drawing Description

AMENDMENTS

Rev.	Date	Description	Initials

ECA CONSULTING MBOMBELA OFFICE:
29 Marioth Street | Mbombela | Mpumalange | RSA
mbombela@ecaconsult.co.za
Tel: +27 (0)13 752 2357
www.ecaconsult.co.za
Civil and Structural Engineers
Company Reg.: 2004/019299/07
ISO Registered 9001:2015
OTHER OFFICES:
VRYHEID | GAUTENG | PIETERMARITZBURG | LADYSMITH

Approved by Engineer: J.W. Janse v Rensburg
Designation: PrTechEng
ECOSA Reg.: 201070143
Date: 7 May 2025

Project Funder/ Client:
 **NKOMAZI LOCAL MUNICIPALITY**

Approved by Client:
Name: _____
Signature: _____ Date: _____

Project:
SCHOEMANSDAL SPORTS FACILITY

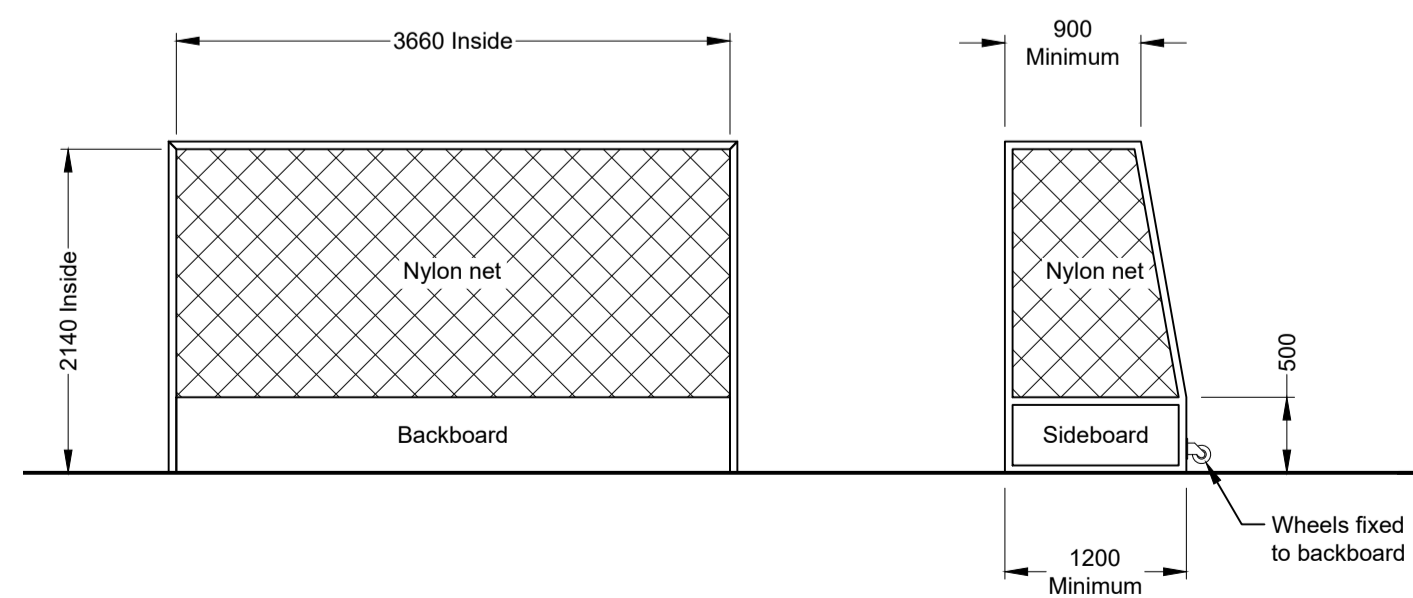
Drawing description:
NEW FIELD B LAYOUT PLAN & DETAILS

Drawn: G.D. Bezuienhout
Date: 23 Sep 2024
Checked: J. J v Rensburg
Date: 02 Dec 2024

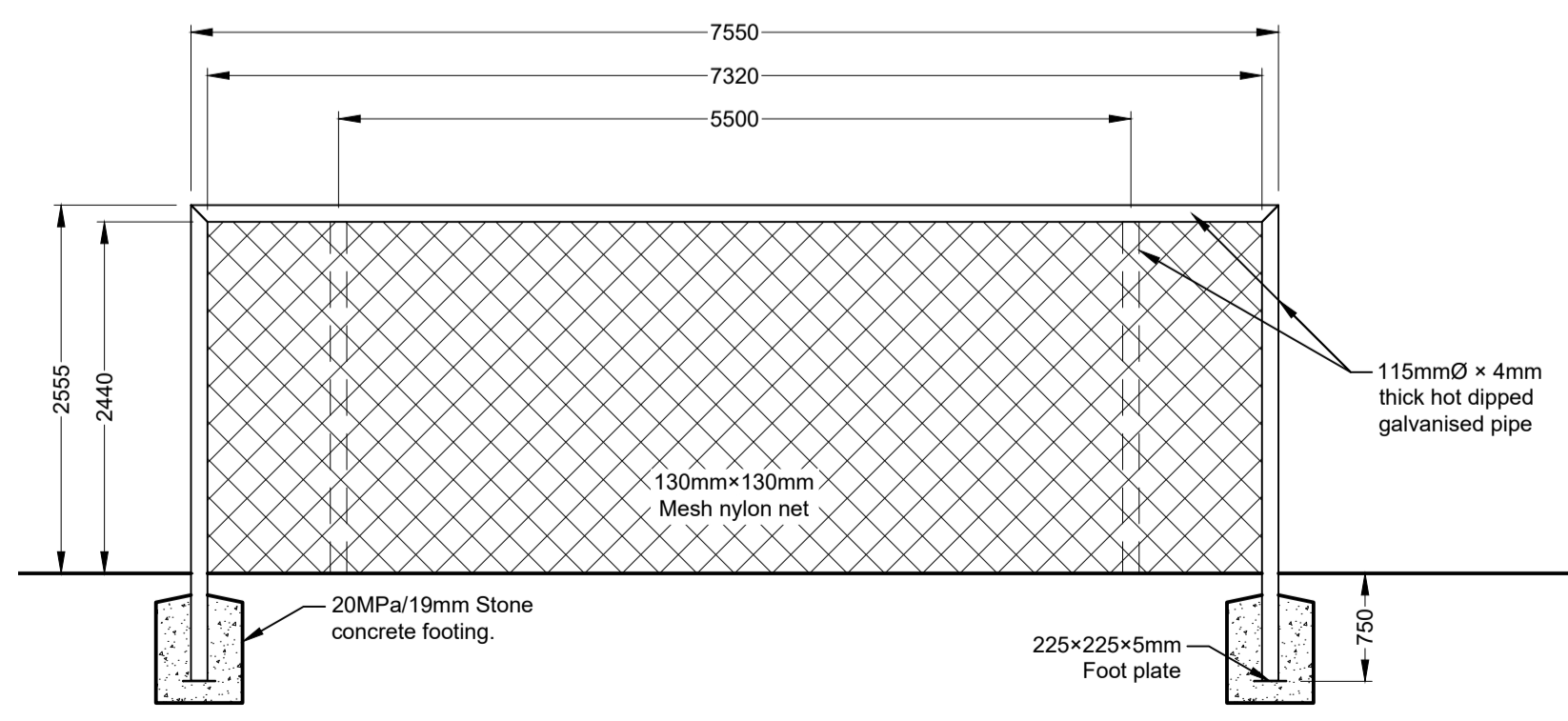
Scale/s: As Shown

Drawing number: 23-017-M-06-02
Rev.: 00

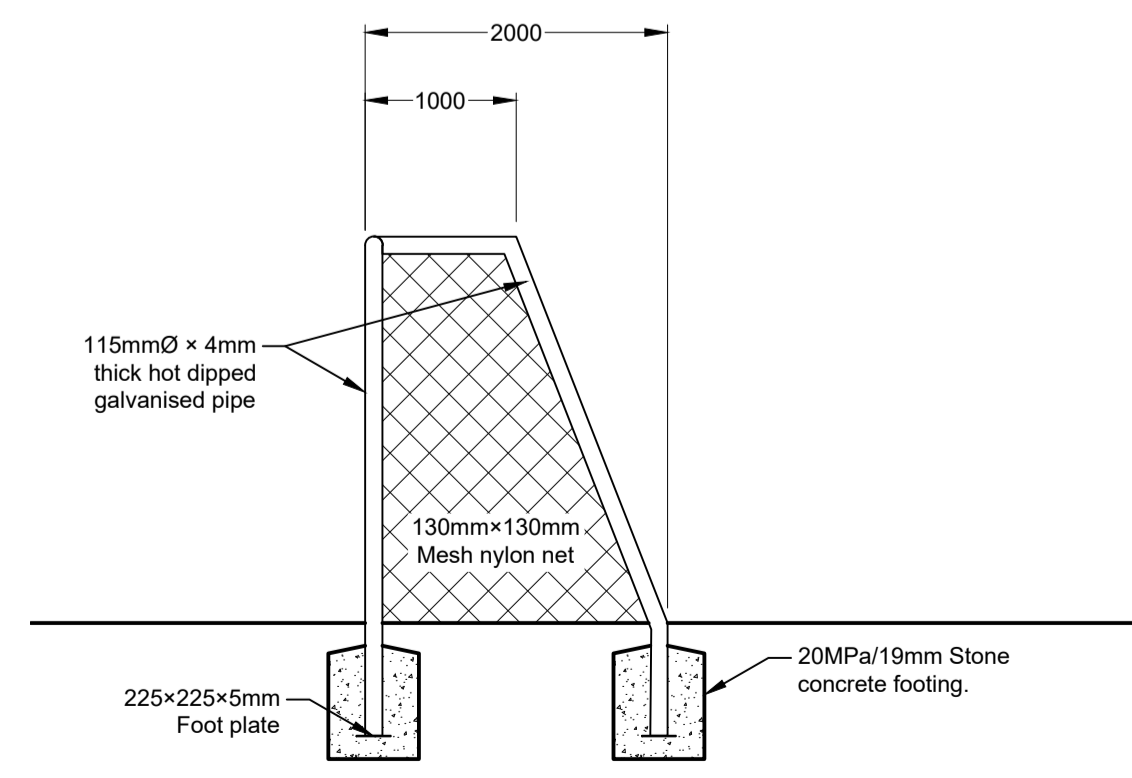
HOCKEY / SOCCER FIELD LAYOUT PLAN
Scale 1:200



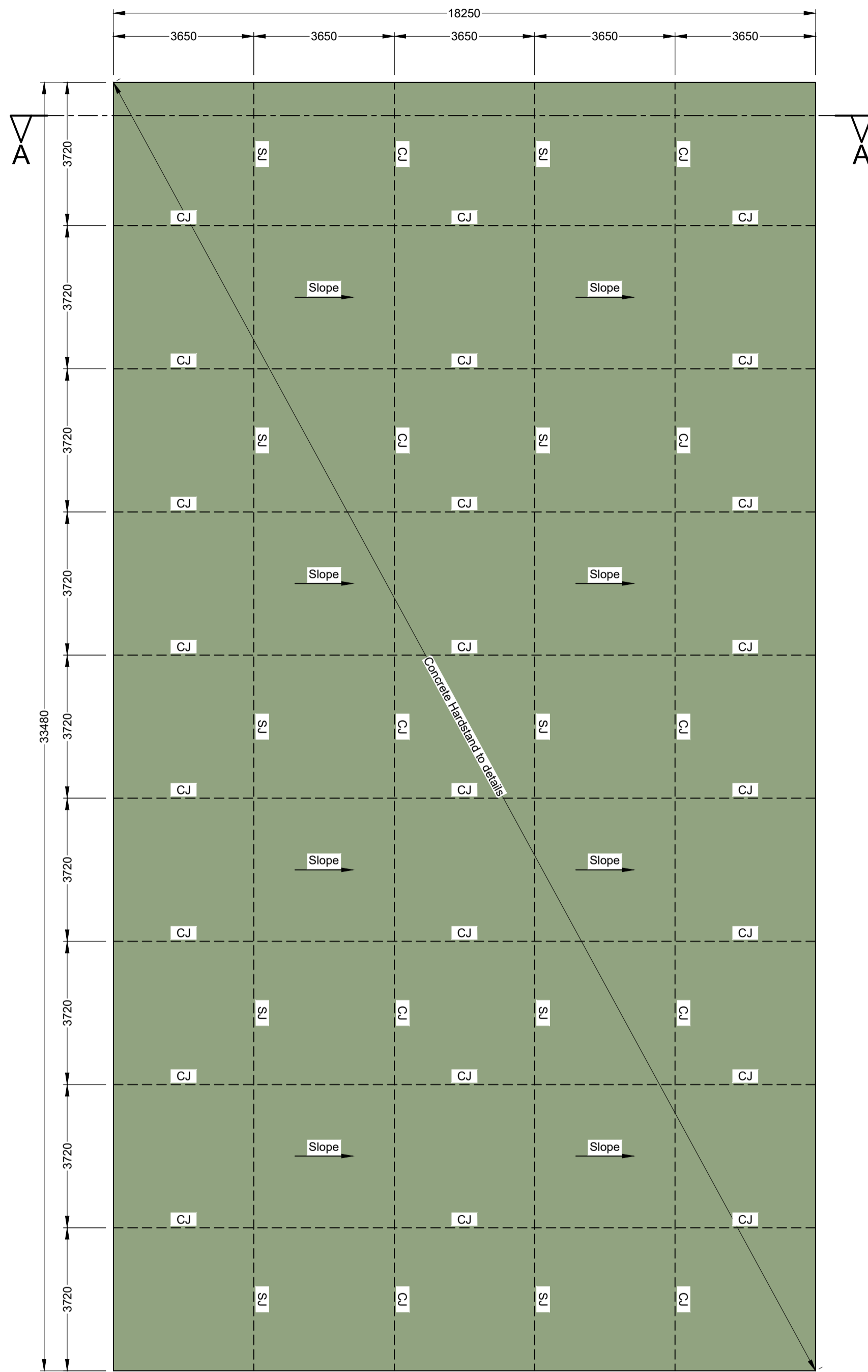
MOVABLE HOCKEY GOAL POST DETAILS
Scale 1:50



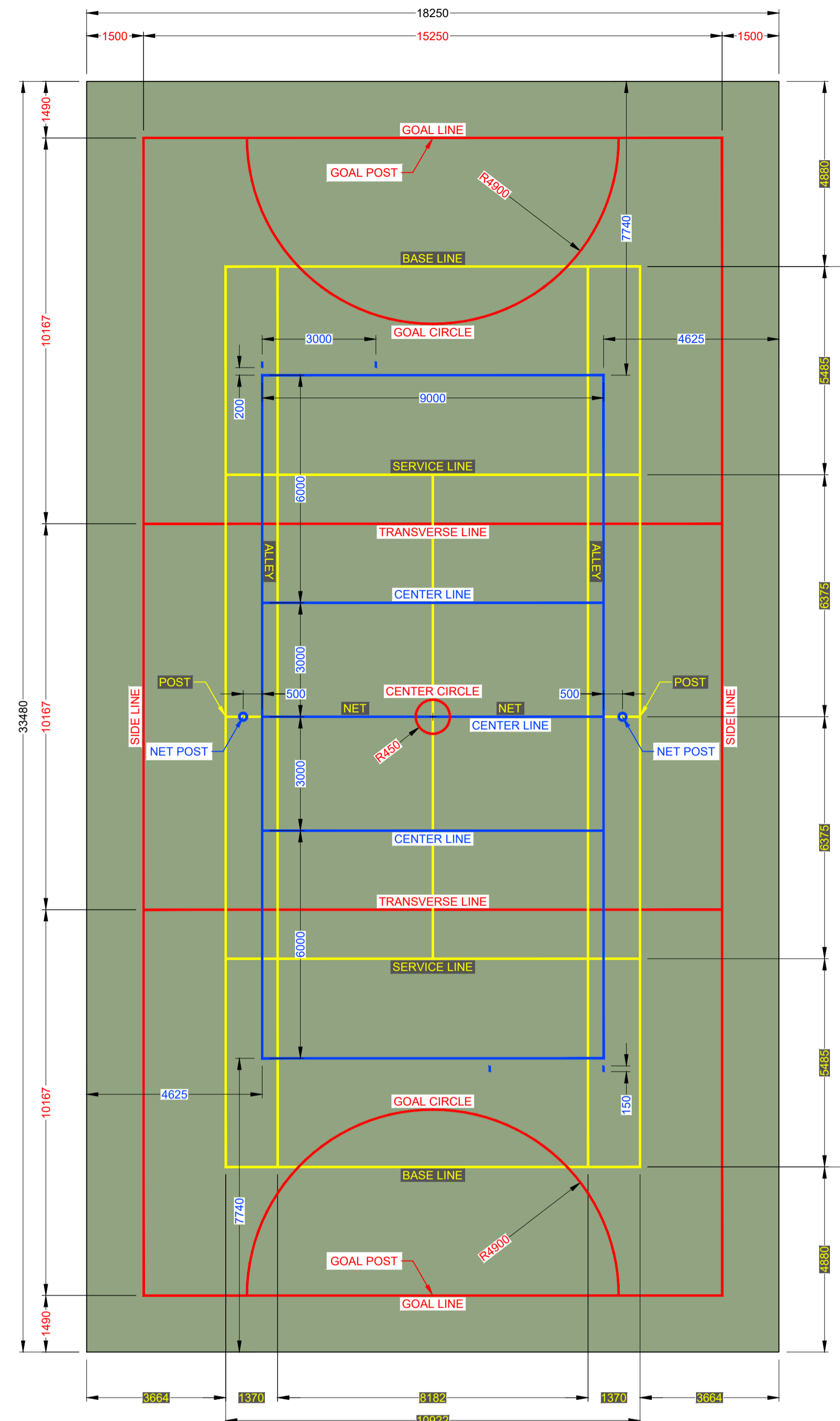
SOCCER GOAL POST FRONT ELEVATION
Scale 1:50



SOCCER GOAL POST SIDE ELEVATION
Scale 1:50



COMBI COURT LAYOUT PLAN
Scale 1:100



COMBI COURT LINE PLAN
Scale 1:100

Legend	
Netball Court Layout	— (Red Line)
Tennis Court Layout	— (Yellow Line)
Volleyball Court Layout	— (Blue Line)

Do not scale off drawing - ASK THE ENGINEER IF UNCERTAIN!
Any discrepancies between any drawings must be clarified before work is continued on site.

FOR TENDER PURPOSES ONLY

READ THIS DRAWING IN CONJUNCTION WITH

Drawing Number	Drawing Description

AMENDMENTS

Rev.	Date	Description	Initials

ECA CONSULTING MBOMBELA OFFICE:
29 Marloth Street | Mbombela | Mpumalanga | RSA
mbombela@ecaconsult.co.za
Tel: +27 (0)13 752 2357
www.ecaconsult.co.za
Civil and Structural Engineers
Company Reg.: 2004/019299/07
ISO Registered 9001:2015
OTHER OFFICES:
VRYHEID | GAUTENG | PIETERMARITZBURG | LADYSMITH

Approved by Engineer: Signature:
Name: J.W. Jansse v Rensburg
Designation: PrTechEng
ECSA Reg.: 201070143 Date: 5 Dec 2024

Project Funder/ Client:



NKOMAZI LOCAL MUNICIPALITY

Approved by Client:
Name:
Signature: Date:

Project:

SCHOEMANSDAL SPORTS FACILITY

Drawing description:

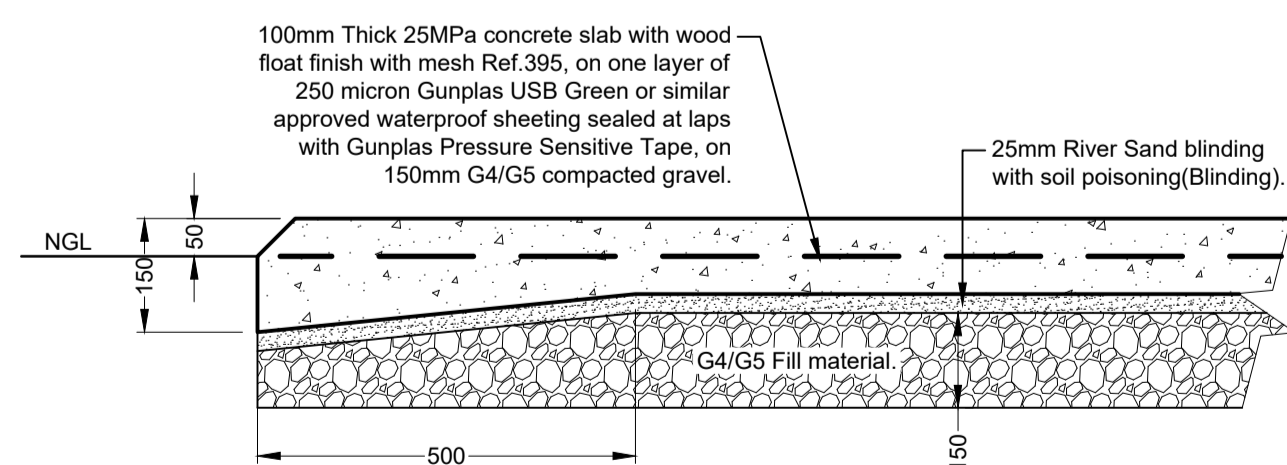
NEW COMBI COURT LAYOUT PLAN & DETAILS

Drawn: G.D Bezuienhout Checked: J. J v Rensburg

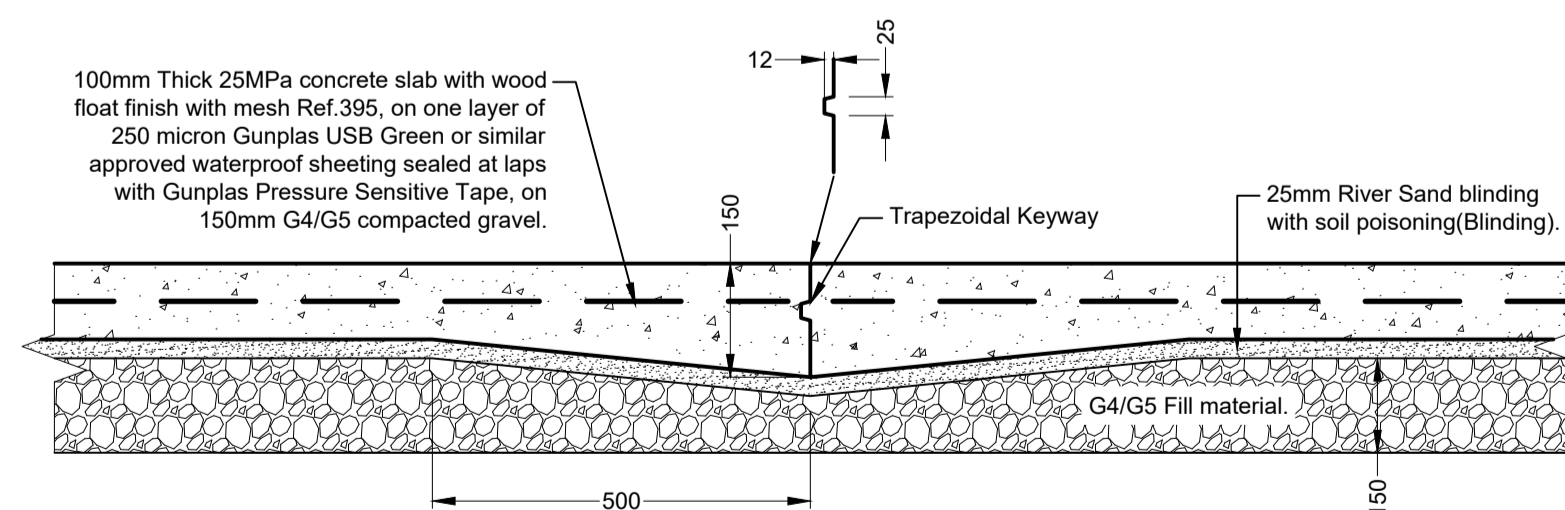
Date: 23 Sep 2024 Date: 02 Dec 2024

Scale/s: As Shown

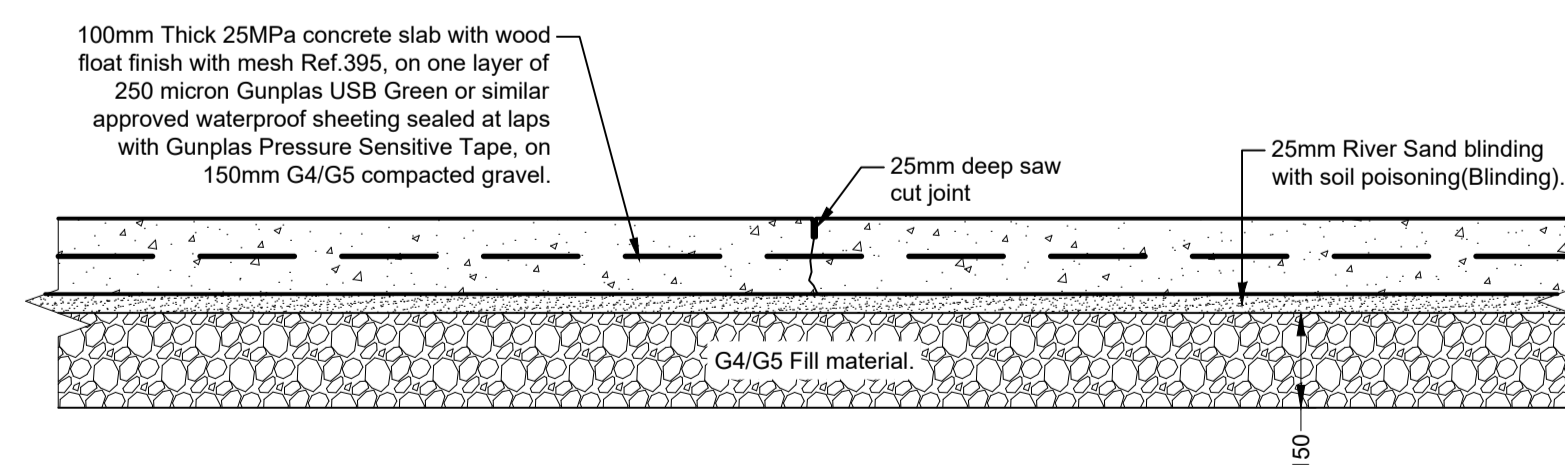
Drawing number: 23-017-M-06-03 Rev.: 00



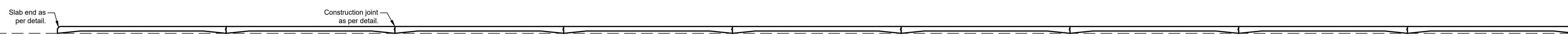
SLAB END DETAIL
Scale 1:10



CONSTRUCTION JOINT DETAIL (CJ)
Scale 1:10

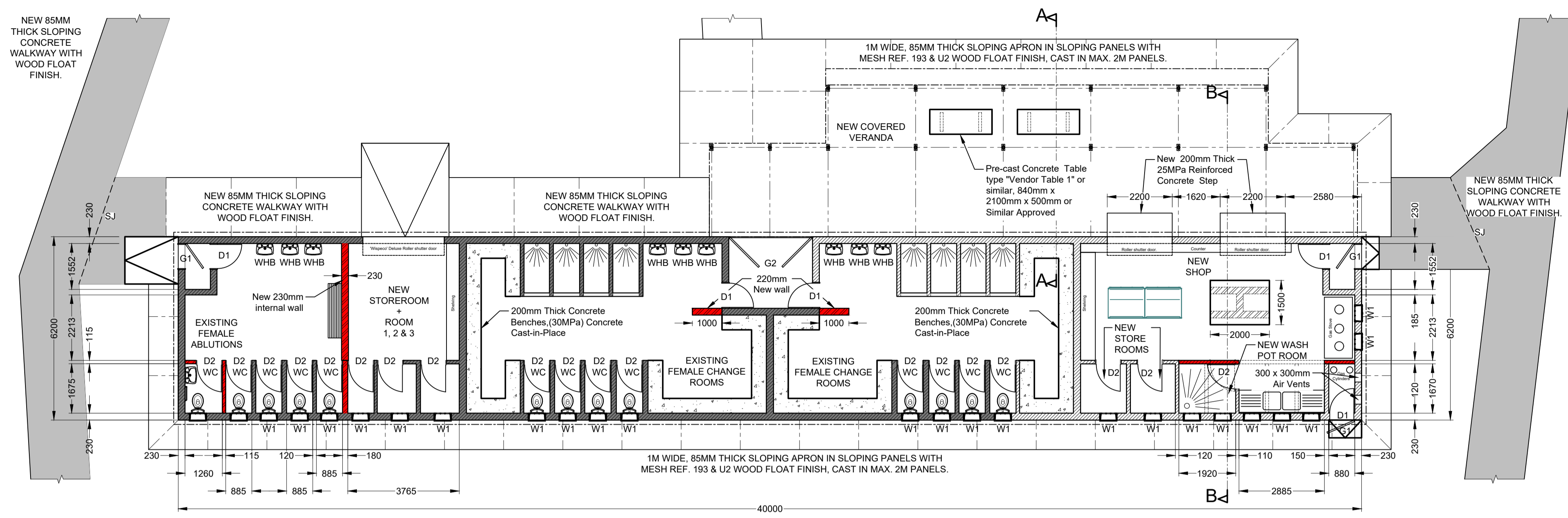


SAW JOINT DETAIL (SJ)
Scale 1:10

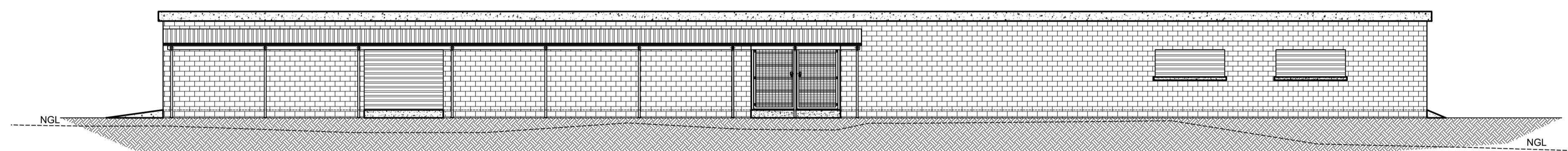


SECTION A-A
Scale 1:50

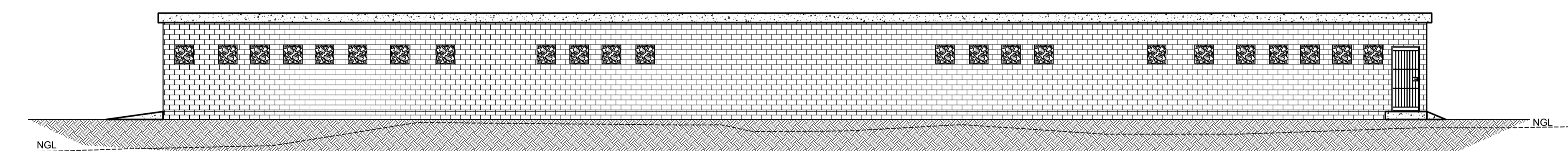
Do not scale off drawing - ASK THE ENGINEER IF UNCERTAIN!
Any discrepancies between any drawings must be clarified before work is continued on site.



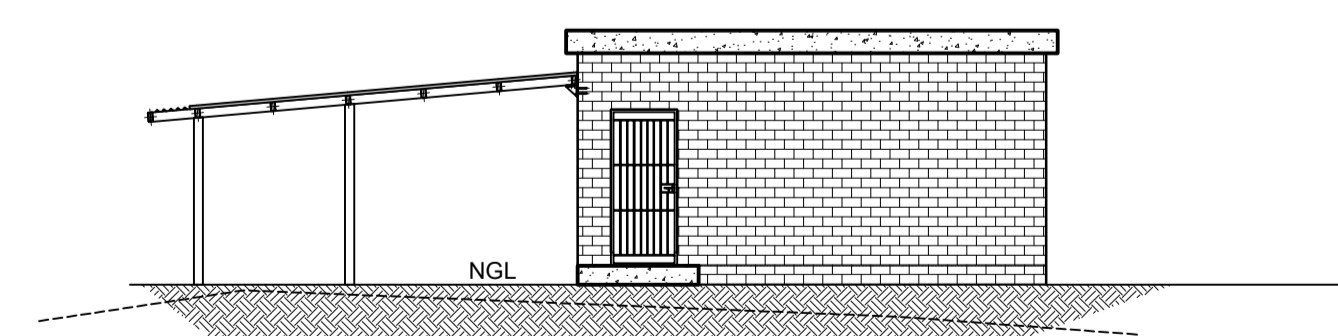
FLOOR PLAN
Scale 1:100



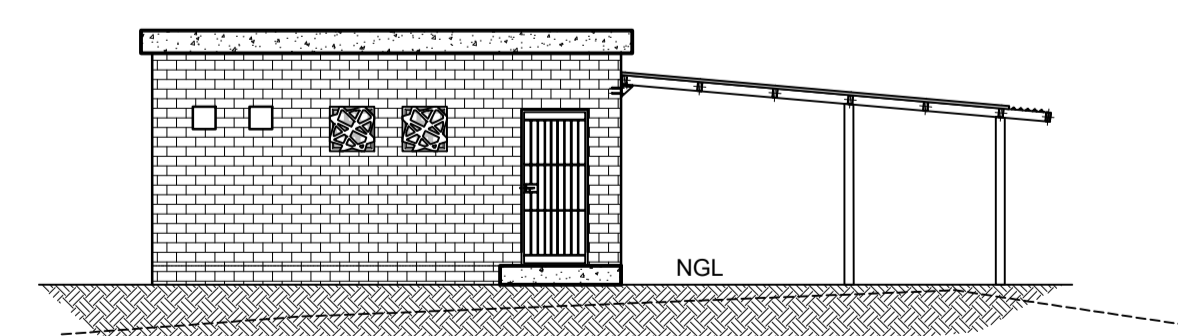
NORTH ELEVATION
Scale 1:100



SOUTH ELEVATION
Scale 1:100



WEST ELEVATION
Scale 1:100



EAST ELEVATION
Scale 1:100

FOR TENDER PURPOSES ONLY

READ THIS DRAWING IN CONJUNCTION WITH

Drawing Number	Drawing Description

AMENDMENTS

Rev.	Date	Description	Initials

ECA CONSULTING MBOMBELA OFFICE:
23 Marioth Street | Mbombela | Mpumalange | RSA
mbombela@ecaconsult.co.za
Tel: +27 (0)13 752 2357
www.ecaconsult.co.za

Civil and Structural Engineers

Company Reg.: 2004/019299/07
ISO Registered 9001:2015

OTHER OFFICES:
VRYHEID | GAUTENG | PIETERMARITZBURG | LADYSMITH

Approved by Engineer: Signature:
Name: J.W. Jansse v Rensburg
Designation: PrTechEng
ECSA Reg.: 201070143 Date: 7 May 2025

Project Funder/ Client:



NKOMAZI LOCAL MUNICIPALITY

Approved by Client:
Name:
Signature: Date:

Project:

SCHOEMANSDAL SPORTS FACILITY

Drawing description:

MULTI PURPOSE BUILDING - BLOCK 01 PLAN & ELEVATIONS

Drawn: P.L Butelezi Checked: J. J v Rensburg

Date: 23 Sep 2024 Date: 02 Dec 2024

Scale/s: As Shown

Drawing number: 23-017-M-07-01 Rev.: 00

NOTES:

- All dimensions to be confirmed on site before fabrication of steel elements
- Refer to architect's latest drawings for walls, windows and doors layouts
- All steel to be hot dipped galvanized
- All steelwork below ground to receive silver bitumen coating

ELECTRICAL LEGEND	
	Ceiling light point, placed in centre or as shown
	Exterior wall light, height as indicated
	1.5m Double LED light
	Light Switch 1250 a.f.f.l.
	Double wall plug, 1.0m a.f.f.l. or as indicated
	Stove plug 1500 a.f.f.l.
	Distribution Board top 2100mm A.F.F.L.
	150 Litre Geyser
	Electrical Meter Box
	Photo cell

NOTES

- IF IN DOUBT ASK!
- Variations must be brought to the attention of professional engineer.
- No trusses or bracing elements are to be cut or modified without the prior consent the engineer.
- Consult the Architect's drawings for roof trimming details and overhand dimensions.

1. DESIGN

- 1.1. Professional Design**
The timber structure depicted on this drawing is issued for presentation purposes only, which imply that the contractor shall appoint an accredited Mitek / ITC-SA Professional Truss Designer / Manufacturer to perform the following:
- Review the design presented and take-up any alternative suggestions with ECA Consulting;
 - Conduct their own structural analysis, fabrication and erection to ultimately issue a TR1 & TR2 certificate on complete construction of the roofing structure.

- 1.1. Loading**
- The current roof structure design is for an inaccessible roof, with common ceilings and an iron roof sheeting cover.
 - The design does not allow for any additional imposed loads i.e air condition systems and ducts, Cold-room panes etc.
 - The contractor and fabricator will verify the required loading prior commencement of final design and fabrication.

2. CONSTRUCTION - GOOD PRACTICE

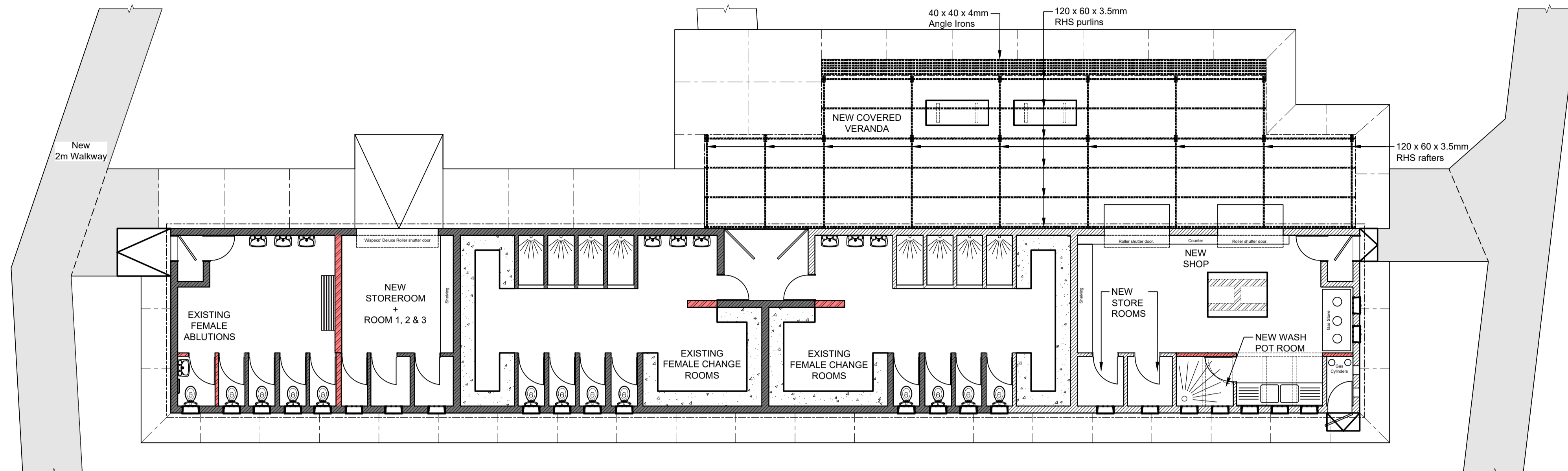
- 2.1. Dimensions**
All supporting wall dimension must be remeasured on-site before manufacturing commence. The design of the structure must be re-checked against any on-site deviations and communicated with ECA Consulting and the Fabricator.
- 2.2. Timber**
- The specified grades of timber shall be strictly adhered to, and / or in accordance with the final approved design supplied by Mitek / ITC-SA Professional Truss Designer / Manufacturer.
 - Timbers shall have been graded in accordance with the relevant SANS specification.
 - All bracing timber to be minimum grade (5).
 - All purlin timbers to be to sans 1783 - part 2
- 2.1. Standard Details**
The structural timber design and fabrication details shall be in accordance with SANS 10163, "The Code of Practice for the Design of Timber Structures" and the latest recommendations of the CSIR and the ITC.

- 2.2. Nails**
Unless otherwise shown, nails will be:
- 100 mm nails - 4.0mm dia.
 - Min. nail spacing = 10d
 - Min. edge distance = *5d d-nail dia. (*force parallel to grain)
 - Min. end distance = 15d 10d - force at angle to grain

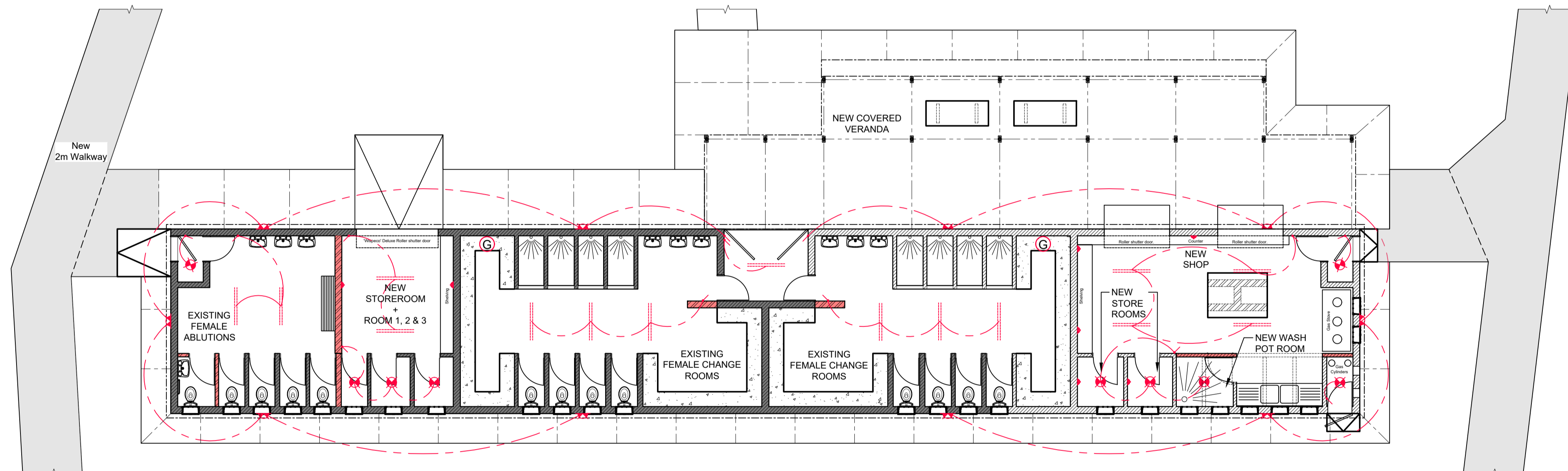
- 2.1. Connection Plates**
- Truss connector plates shall be Mitek plates or similar, galvanized steel stamped min. 1mm thick, as tested and approved by the CSIR.
 - Plates installed on both sides of truss face using mechanical press equipment, operated in accordance with the company's Instructions and must comply with SANS 810:1973, after insertion into the timber.
 - Connector plates in buildings without ceilings within 10km of the coast shall be coated with epoxy or stainless-steel plates may be used.

- 2.1. Storage**
Adequate storage and protection facilities shall be provided to prevent any form of damage to the trusses before erection. This should be in accordance with the latest recommendations of the ITC.

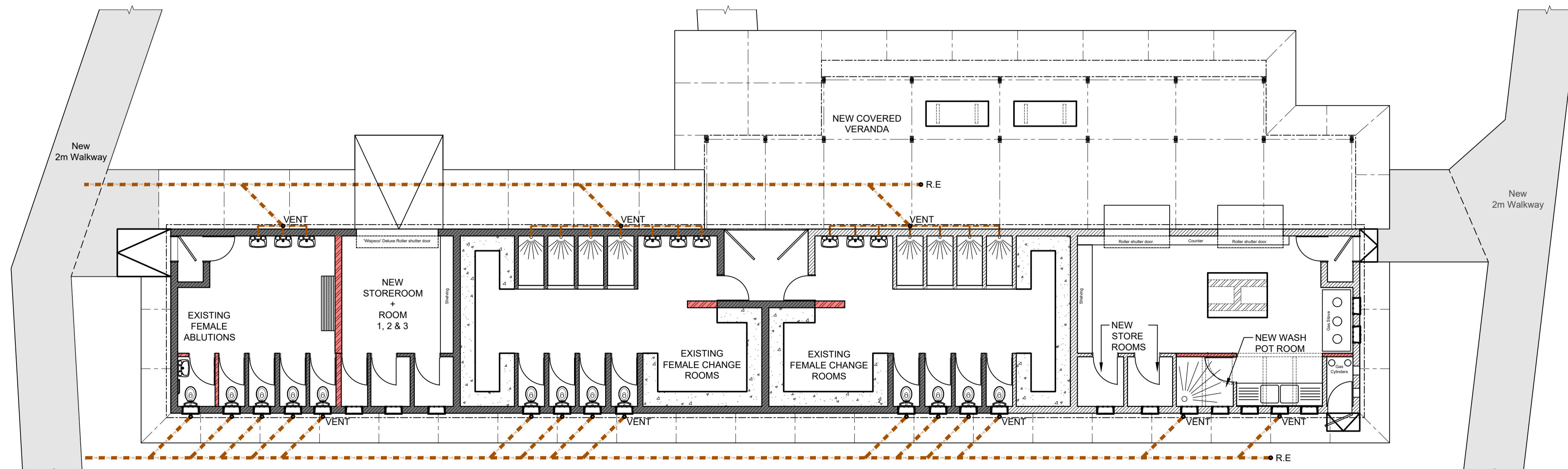
- 2.2. Erection & Bracing**
- It is the responsibility of the erector to ensure that temporary erection bracing is installed to hold the trusses true and plumb and in safe condition until permanent bracing and bridging is solidly nailed or bolted in place to form a structurally sound roof framing system. All permanent bracing shall be in accordance with the latest recommendations of the ITC and as shown on these drawings.
 - All components must be permanently fastened before application of any loads.
 - Trusses are to be supported only at bearing points indicated on the drawing or the final approved design.
 - The standard method of construction is that all supports are anchored, using 25mm x 1.0mm thick galvanized hoop iron straps, embedded seven courses into brickwork, or cast min. 200mm into concrete beam, wrapped over the trusses and fixed with 4 x 4mm dia. wire nails, or as provided by the registered professional engineer responsible for the overall structure.
 - Connection of purlins and battens to rafters to be in accordance with SANS 10243.
 - Purlins are to be nailed at each intersection and tied with hurricane clips at each alternate intersections.
 - Where there will be no directly fixed ceiling material, irrespective of roof covering, provide longitudinal runners on the tie beams at max. 2600mm c/c. These runners are to be fixed and braced before fixing of roof covering.



ROOF PLAN
Scale 1:100



ELECTRICAL LAYOUT
Scale 1:100



SEWER LAYOUT
Scale 1:100

Do not scale off drawing - ASK THE ENGINEER IF UNCERTAIN!
Any discrepancies between any drawings must be clarified before work is continued on site.

FOR TENDER PURPOSES ONLY

READ THIS DRAWING IN CONJUNCTION WITH

Drawing Number	Drawing Description

AMENDMENTS

Rev.	Date	Description	Initials

ECA CONSULTING MBOMBELA OFFICE:
23 Marioti Street | Mbombela | Mpumalanga | RSA
mbombela@ecaconsult.co.za
Tel: +27 (0)13 752 2357
www.ecaconsult.co.za
OTHER OFFICES:
VRYHEID | GAUTENG | PIETERMARITZBURG | LADYSMITH

Approved by Engineer: _____ Signature: _____
Name: J.W. Janse v Rensburg
Designation: PrTechEng
ECSA Reg.: 201070143 Date: 7 May 2025

Project Funder/ Client:
 NKOMAZI LOCAL MUNICIPALITY

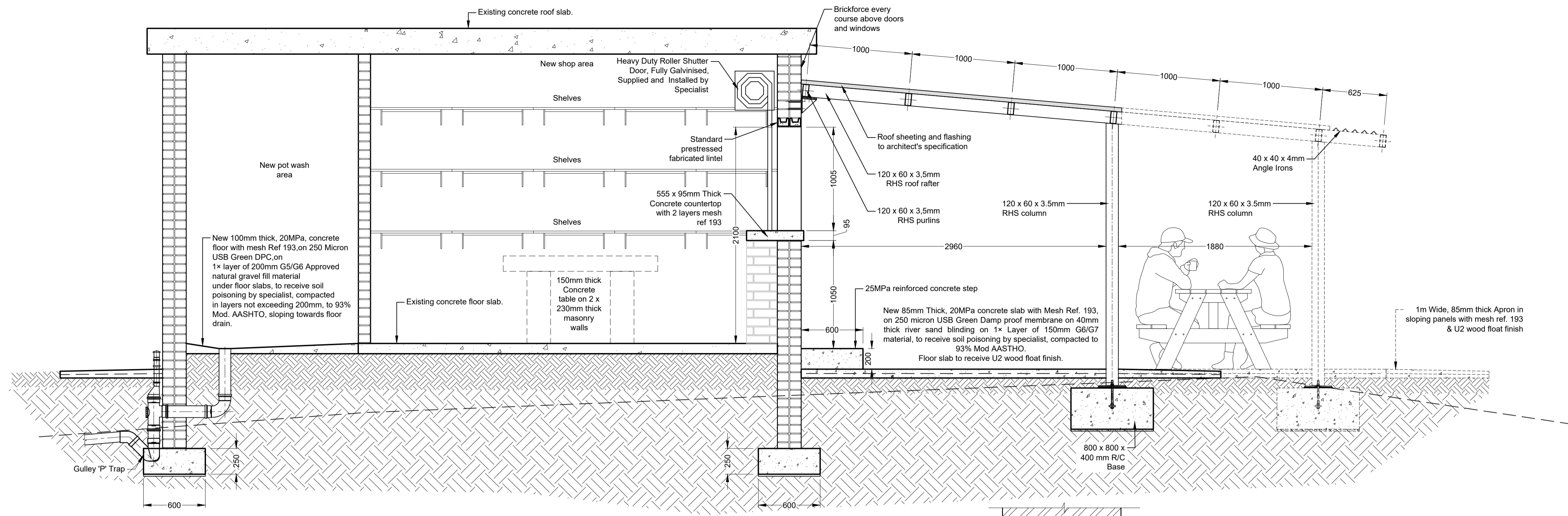
Approved by Client:
Name: _____
Signature: _____ Date: _____

Project:
SCHOEMANSDAL SPORTS FACILITY

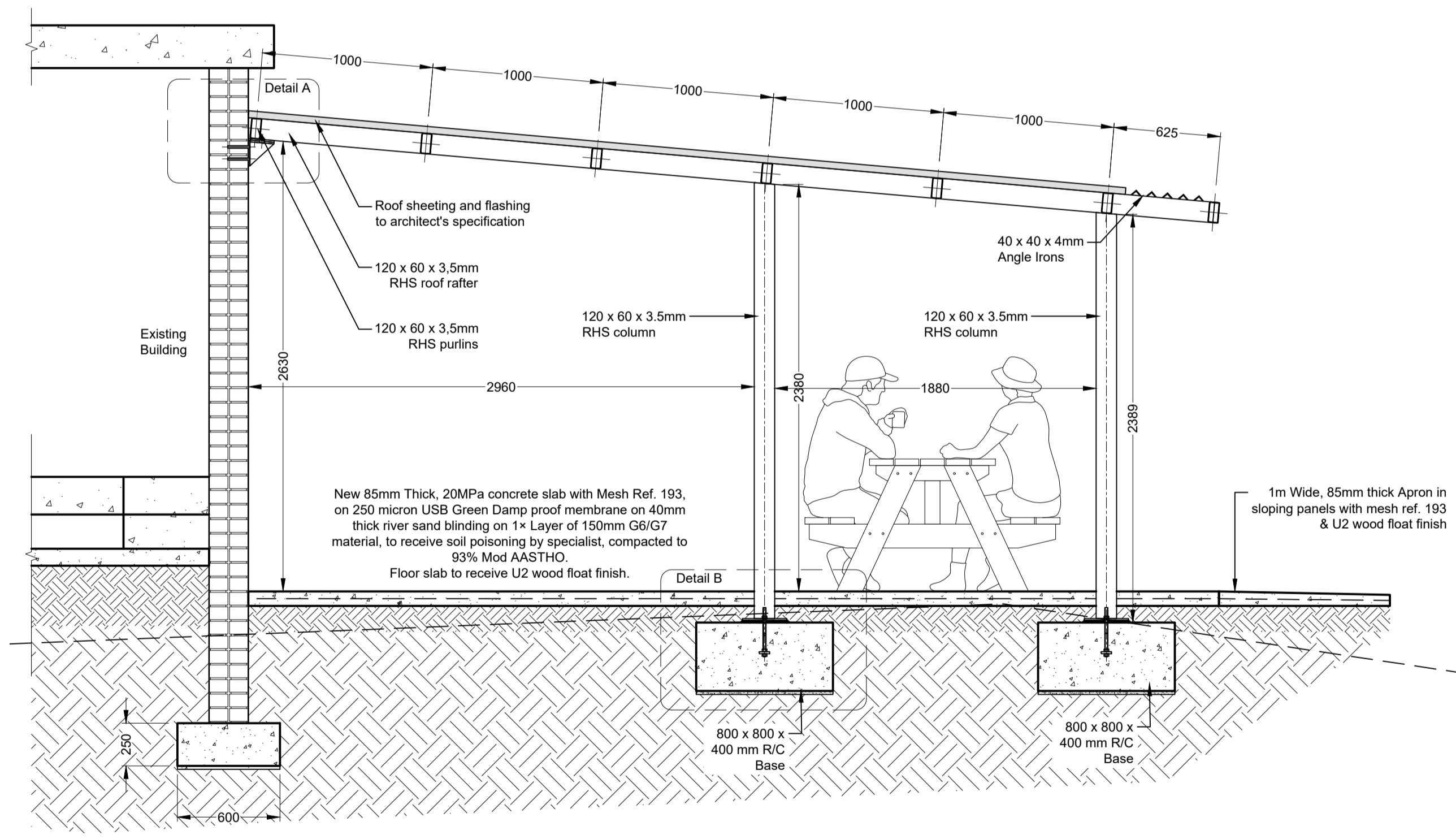
Drawing description:
MULTI PURPOSE BUILDING - BLOCK 01 ROOF, ELECTRICAL & SEWER PLAN

Drawn: P.L Butelezi Checked: J. J v Rensburg
Date: 23 Sep 2024 Date: 02 Dec 2024

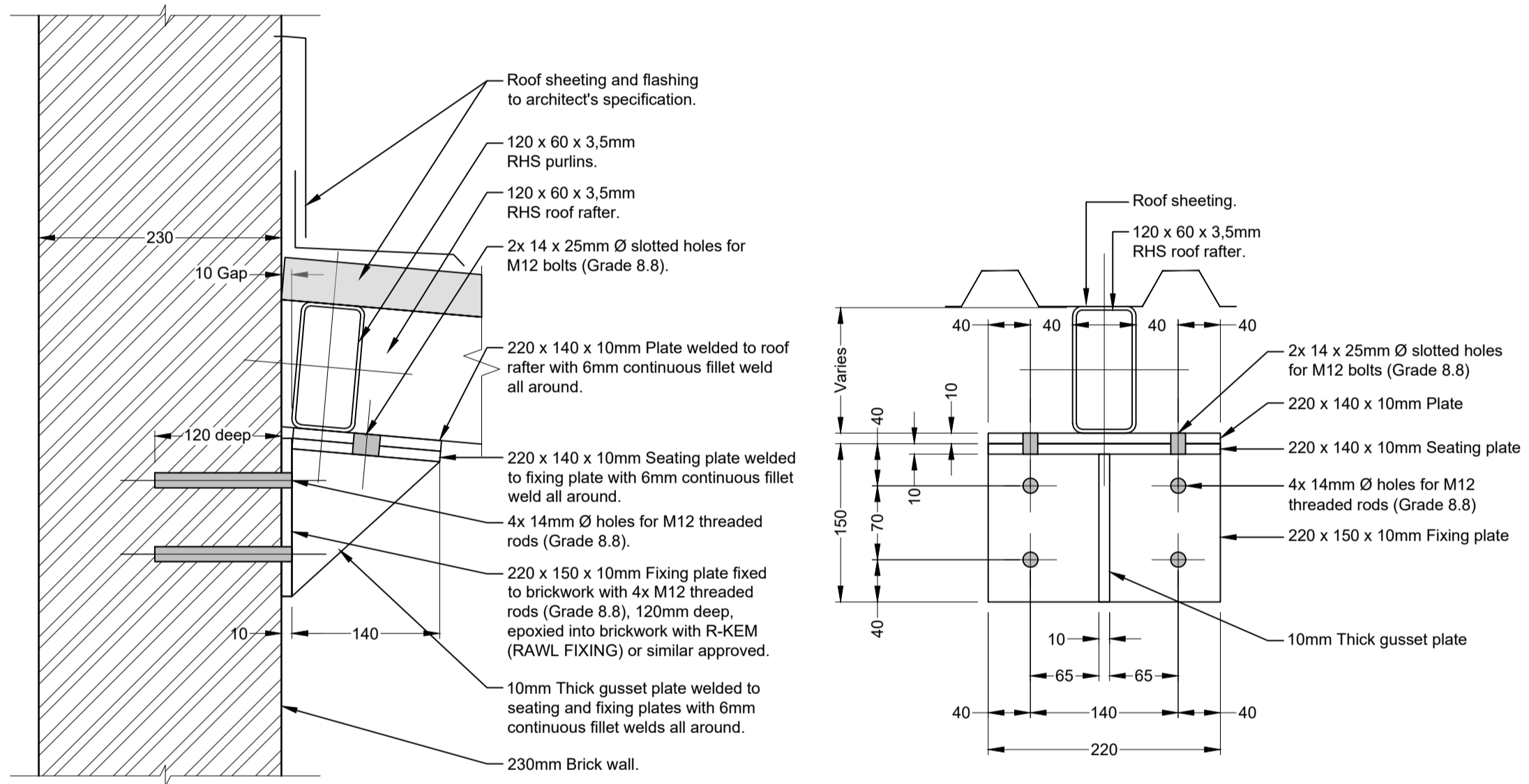
Scales: As Shown
Drawing number: 23-017-M-07-02 Rev.: 00



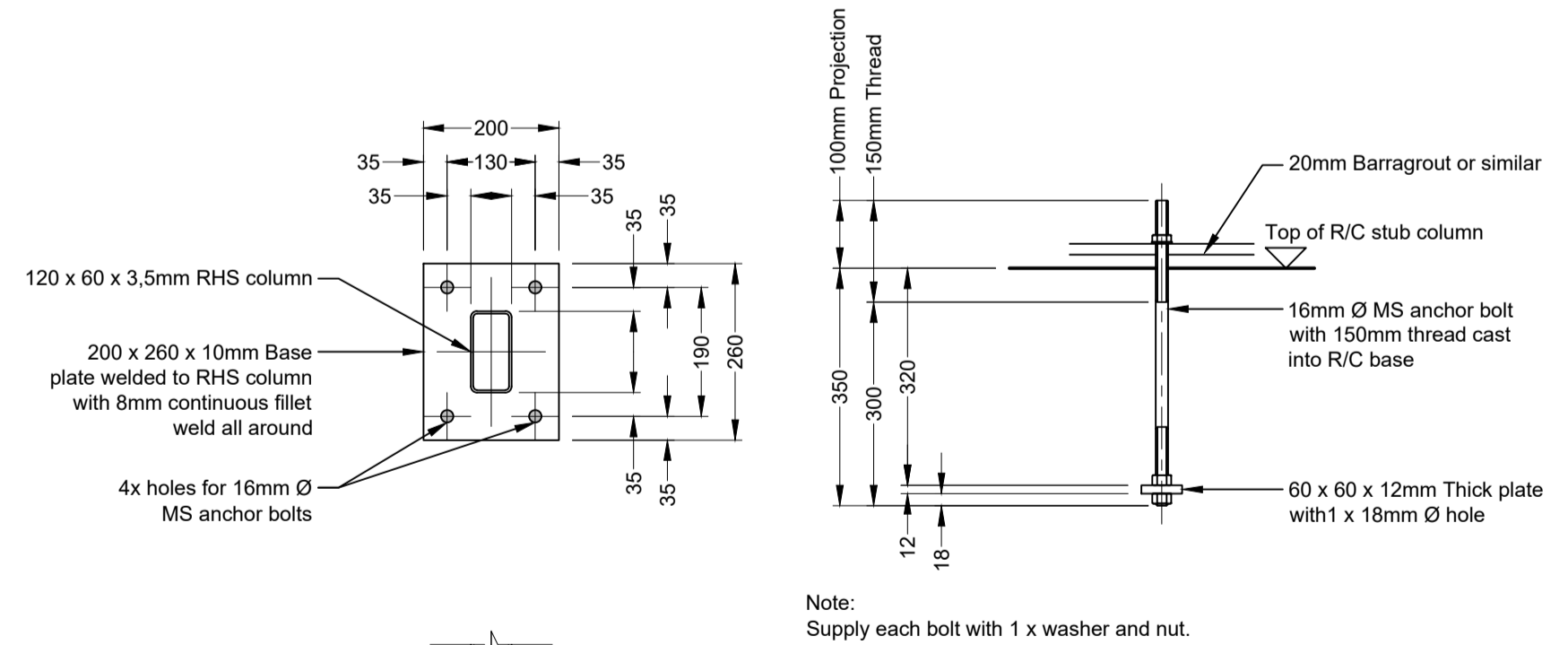
SECTION B-B
Scale 1:25



SECTION A-A
Scale 1:25



DETAIL A
Scale 1:5



DETAIL B
Scale 1:10

Do not scale off drawing - ASK THE ENGINEER IF UNCERTAIN!
Any discrepancies between any drawings must be clarified before work is continued on site.

FOR TENDER PURPOSES ONLY

READ THIS DRAWING IN CONJUNCTION WITH

Drawing Number	Drawing Description

AMENDMENTS

Rev.	Date	Description	Initials

ECA CONSULTING MBOMBELA OFFICE:
29 Mariot Street | Mbombela | Mpumalanga | RSA
mbombela@ecaconsult.co.za
Tel: +27 (0)13 752 2357
www.ecaconsult.co.za
Civil and Structural Engineers
Company Reg.: 2004/019299/07
ISO Registered 9001:2015
VRYHEID | GAUTENG | PIETERMARITZBURG | LADYSMITH

Approved by Engineer: J.W. Janse v Rensburg
Designation: PrTechEng
ECOSA Reg.: 201070143
Date: 7 May 2025

Project Funder/ Client:
 **NKOMAZI LOCAL MUNICIPALITY**

Approved by Client:
Name: _____
Signature: _____ Date: _____

Project:
SCHOEMANSDAL SPORTS FACILITY

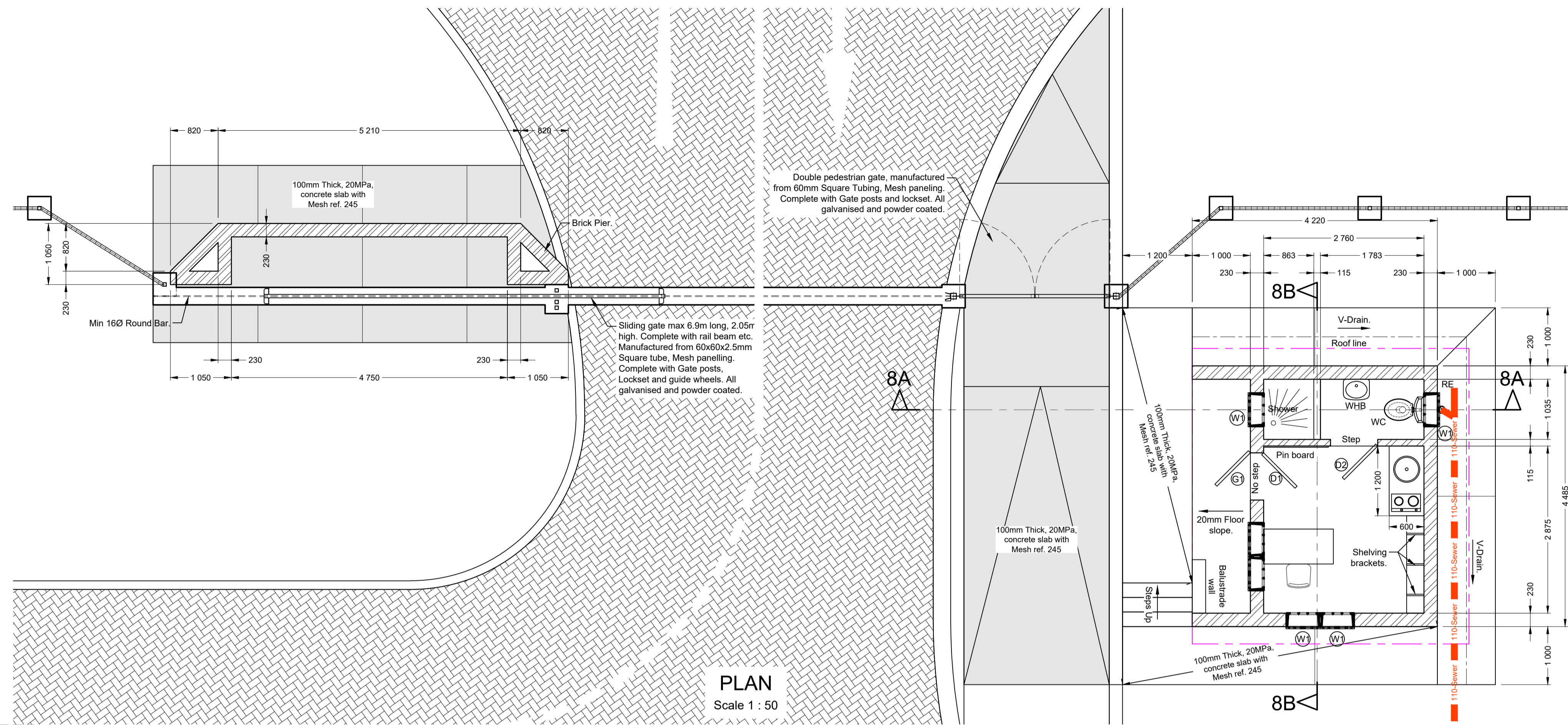
Drawing description:
MULTI PURPOSE BUILDING - BLOCK 01 SECTIONS & DETAILS

Drawn: P.L Butelezi
Checked: J. J v Rensburg
Date: 23 Sep 2024
Date: 02 Dec 2024

Scales: As Shown

Drawing number: 23-017-M-07-03
Rev.: 00

Do not scale off drawing - ASK THE ENGINEER IF UNCERTAIN!
Any discrepancies between any drawings must be clarified before work is continued on site.



FOR TENDER PURPOSES ONLY

READ THIS DRAWING IN CONJUNCTION WITH

Drawing Number	Drawing Description

AMENDMENTS

Rev.	Date	Description	Initials

ECA CONSULTING MBOMBELA OFFICE:
29 Marloth Street | Mbombela | Mpumalanga | RSA
mbombela@ecaconsult.co.za
Tel: +27 (0)13 752 2357
www.ecaconsult.co.za
OTHER OFFICES:
VRYHEID | GAUTENG | PIETERMARITZBURG | LADYSMITH
Company Reg.: 2004/019299/07
ISO Registered 9001:2015

Designed and Approved by:
Name: J.W. Janse v Rensburg
Designation: PrTechEng
ECSA Reg.: 201070143
Date: 5 Dec 2024

Project Funder/ Client:

NKOMAZI LOCAL MUNICIPALITY

Approved by Client:
Name: _____
Signature: _____ Date: _____

Project:
SCHOEMANSDAL SPORTS FACILITY

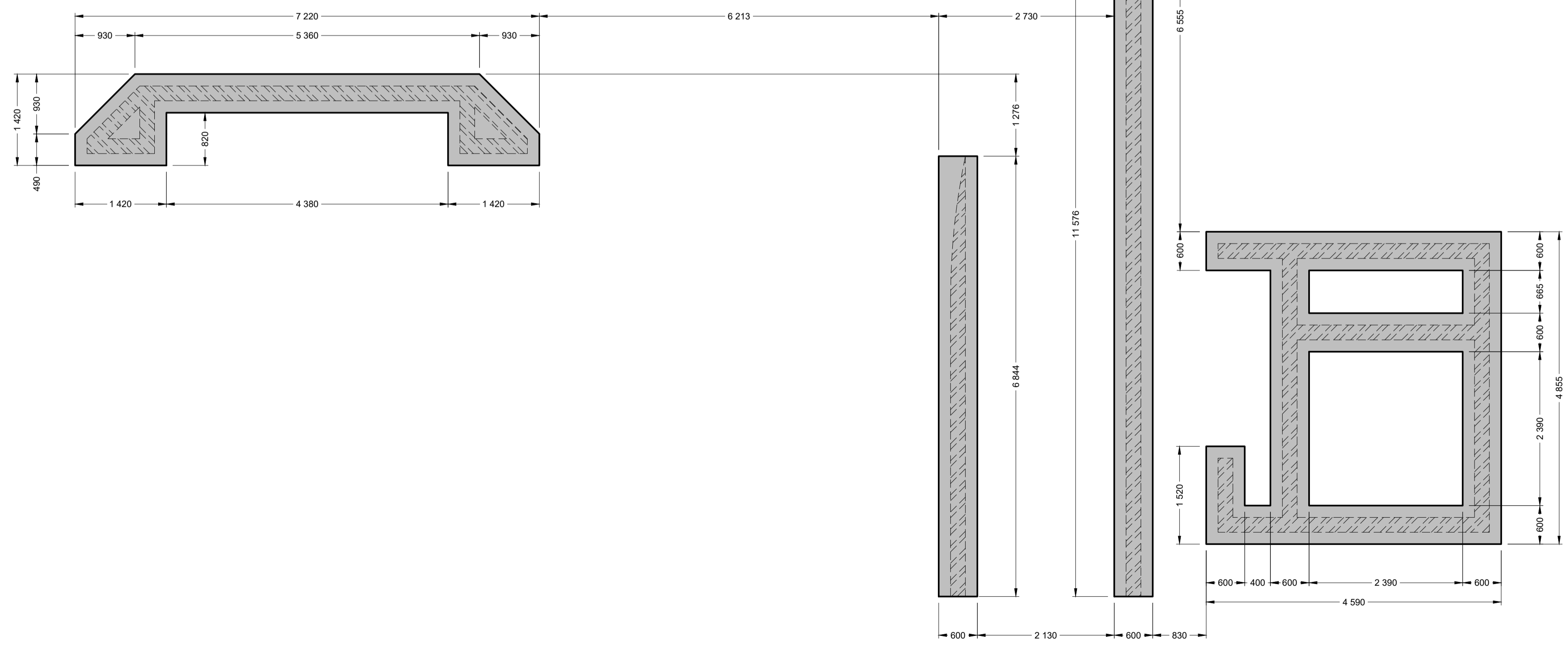
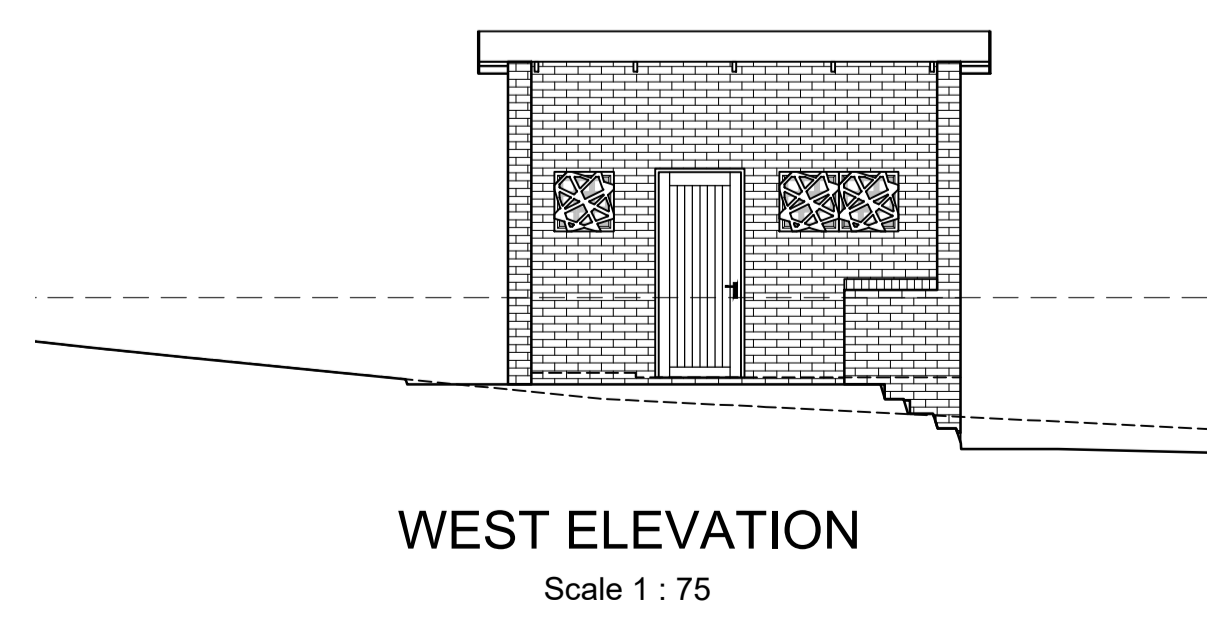
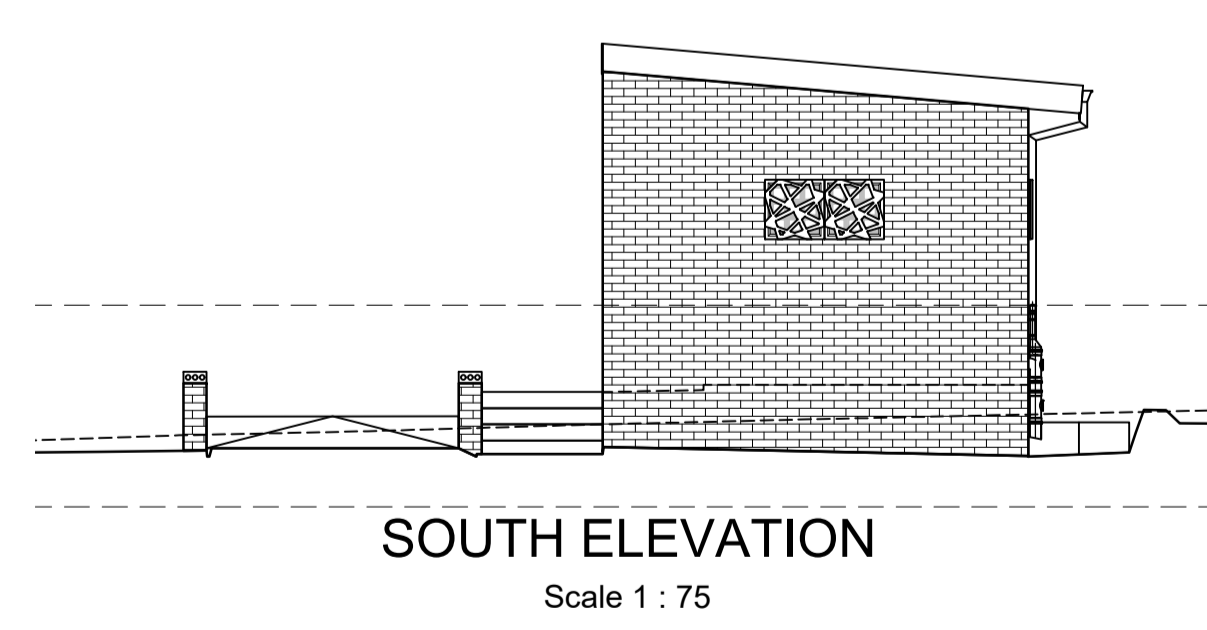
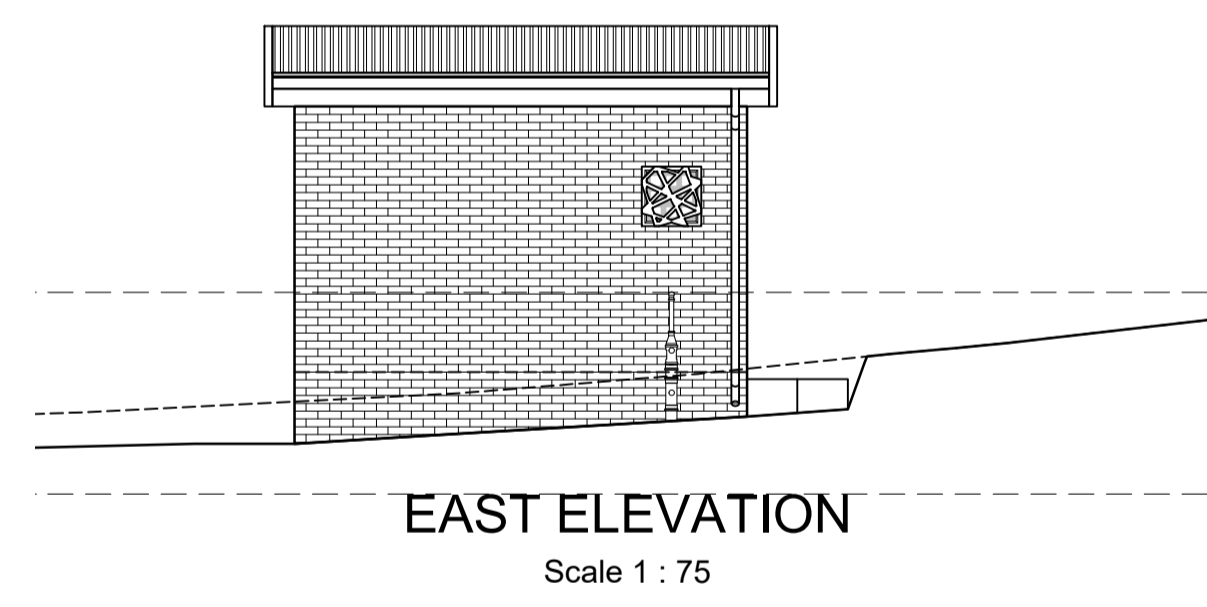
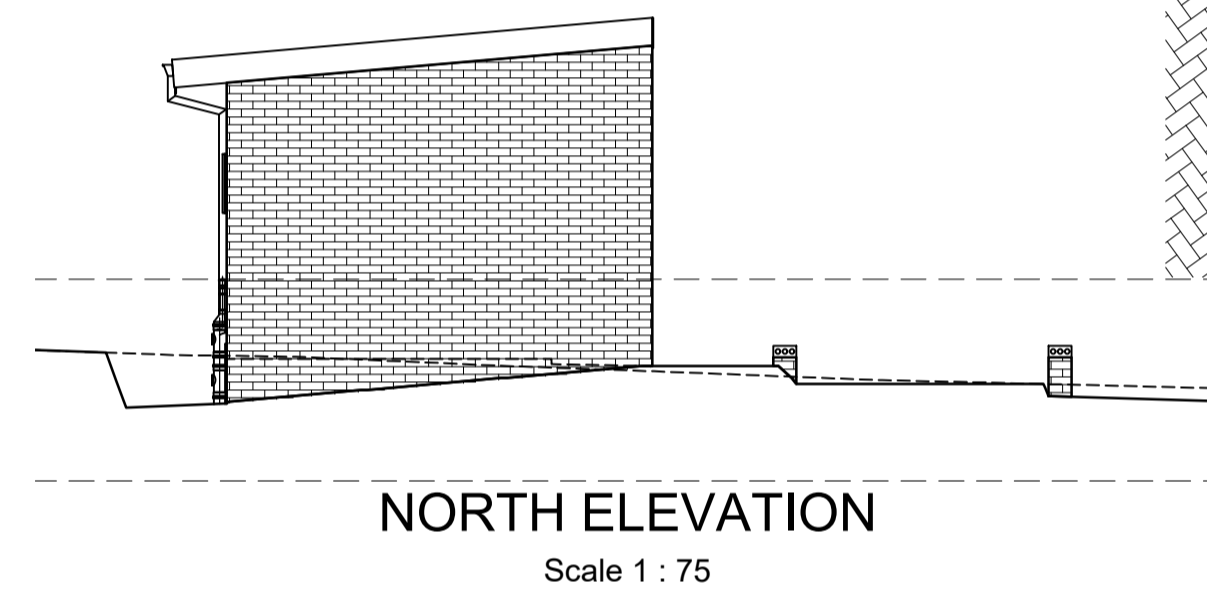
Drawing description:
NEW GATE HOUSE PLANS & ELEVATIONS

Drawn: G.D Bezuienhout Checked: J. J v Rensburg

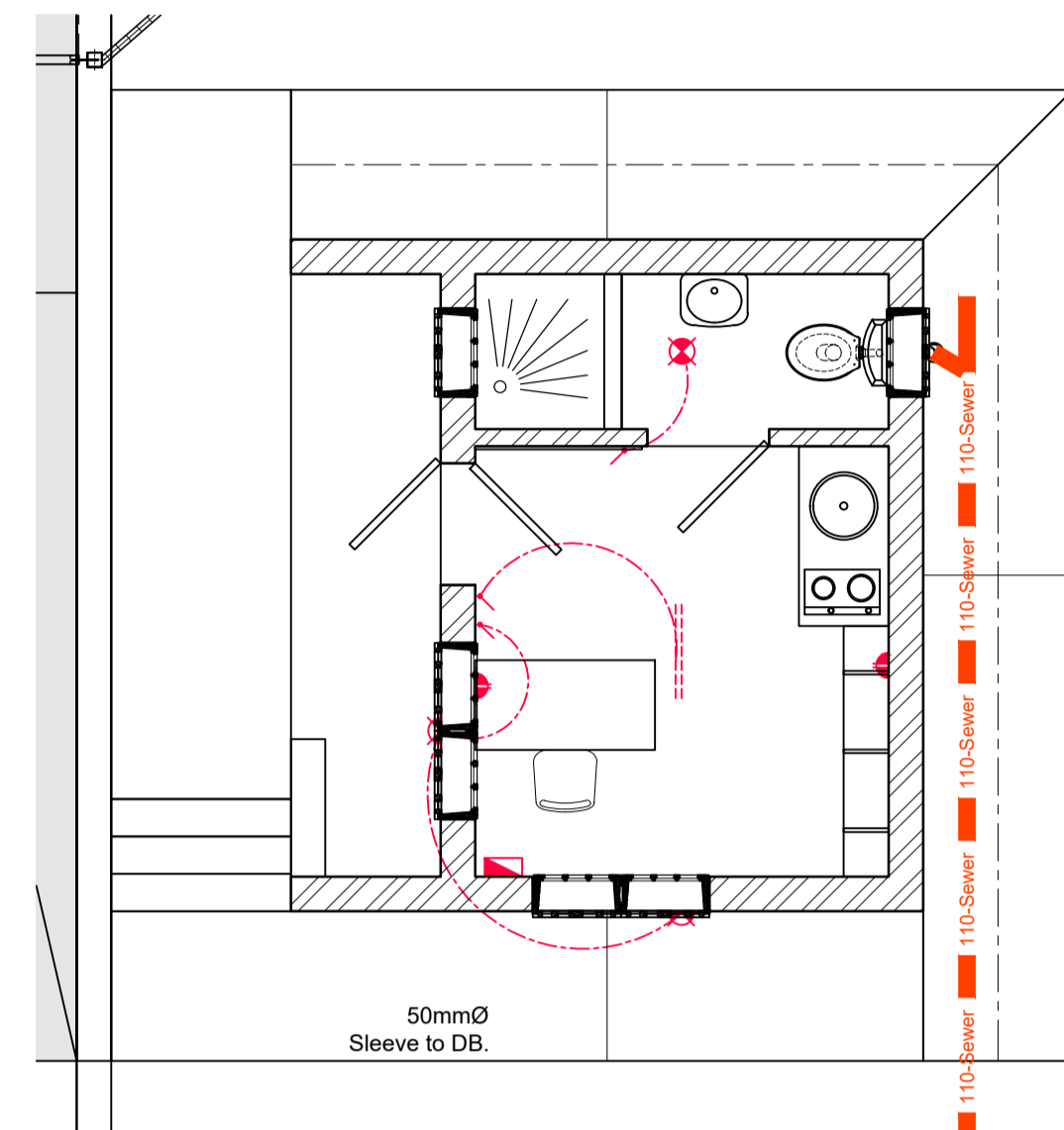
Date: 23 Sep 2024 Date: 02 Dec 2024

Scale/s: As Shown

Drawing number: 23-017-M-08-01 Rev.: 00

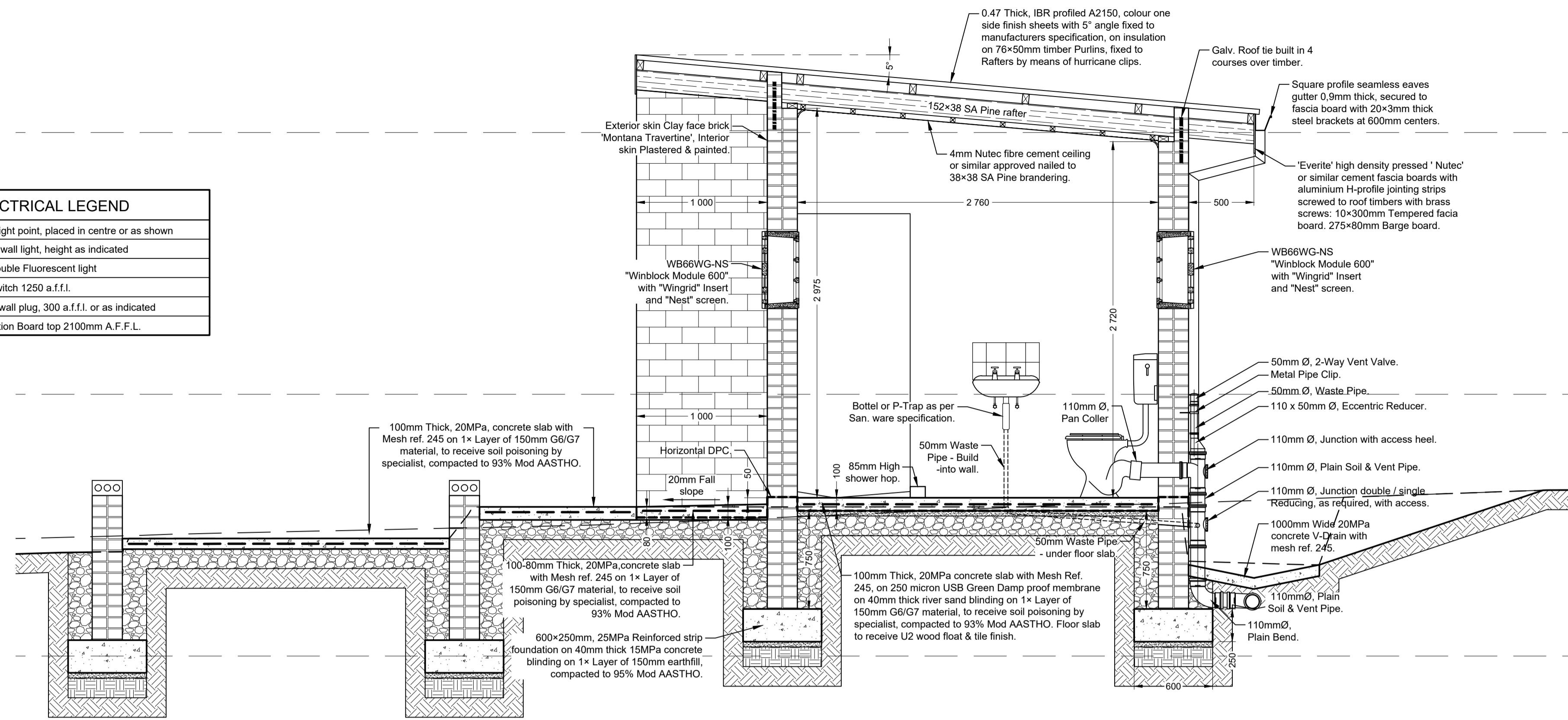


- Foundation Notes:
- All excavations to be min. 1000mm deep, confirm with Eng. on site.
 - Provide steps in foundation as per details and rebar schedule.
 - Eng. to inspect an approve excavated foundations before blinding may be cast.
 - Provide 15MPa, 40mm thick concrete blinding to all foundation trenches to specified invert levels, to take rebar and spacer-blocks.
 - Blinding to be cast to + or - 10mm accuracy.
 - All rebar to be inspected and approved by Eng. before concrete may be cast.
 - Provide class 30MPa / 19mm stone concrete with 75-85mm slump, to all foundations.

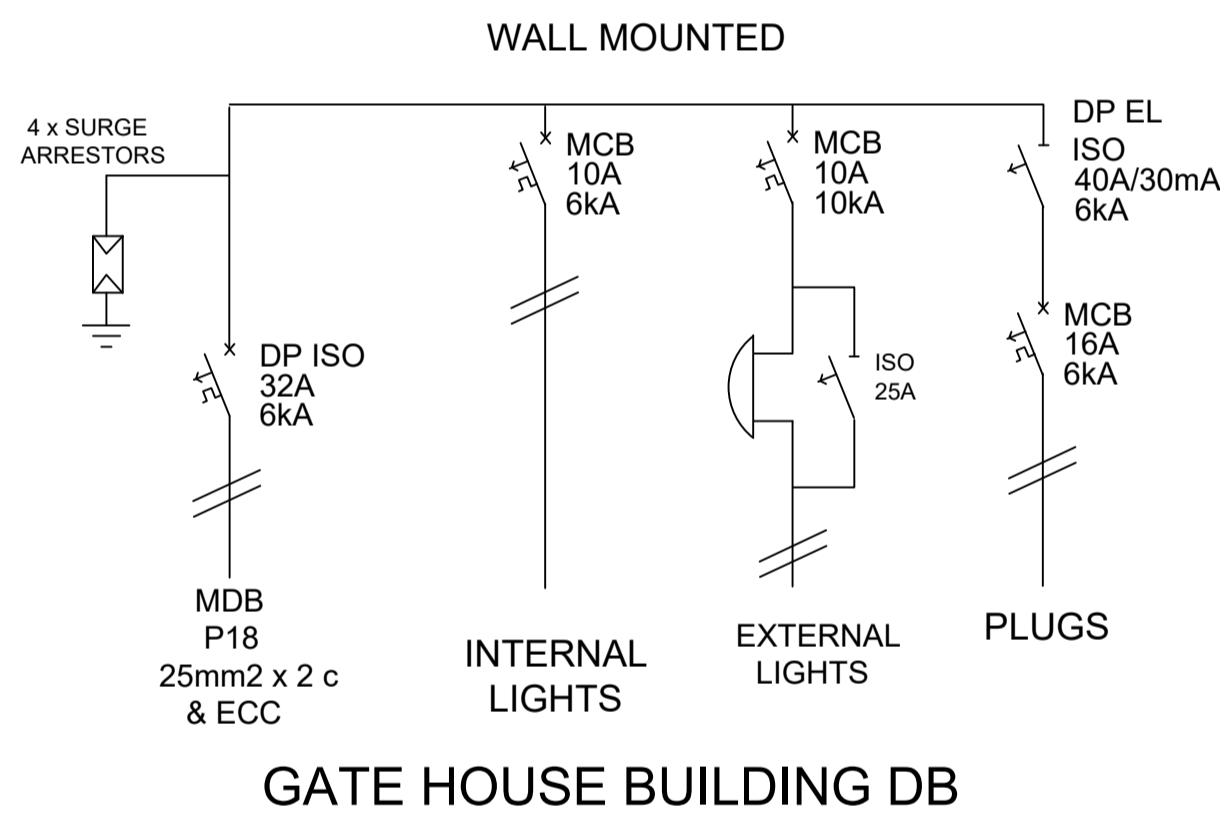


ELECTRICAL PLAN
Scale 1 : 50

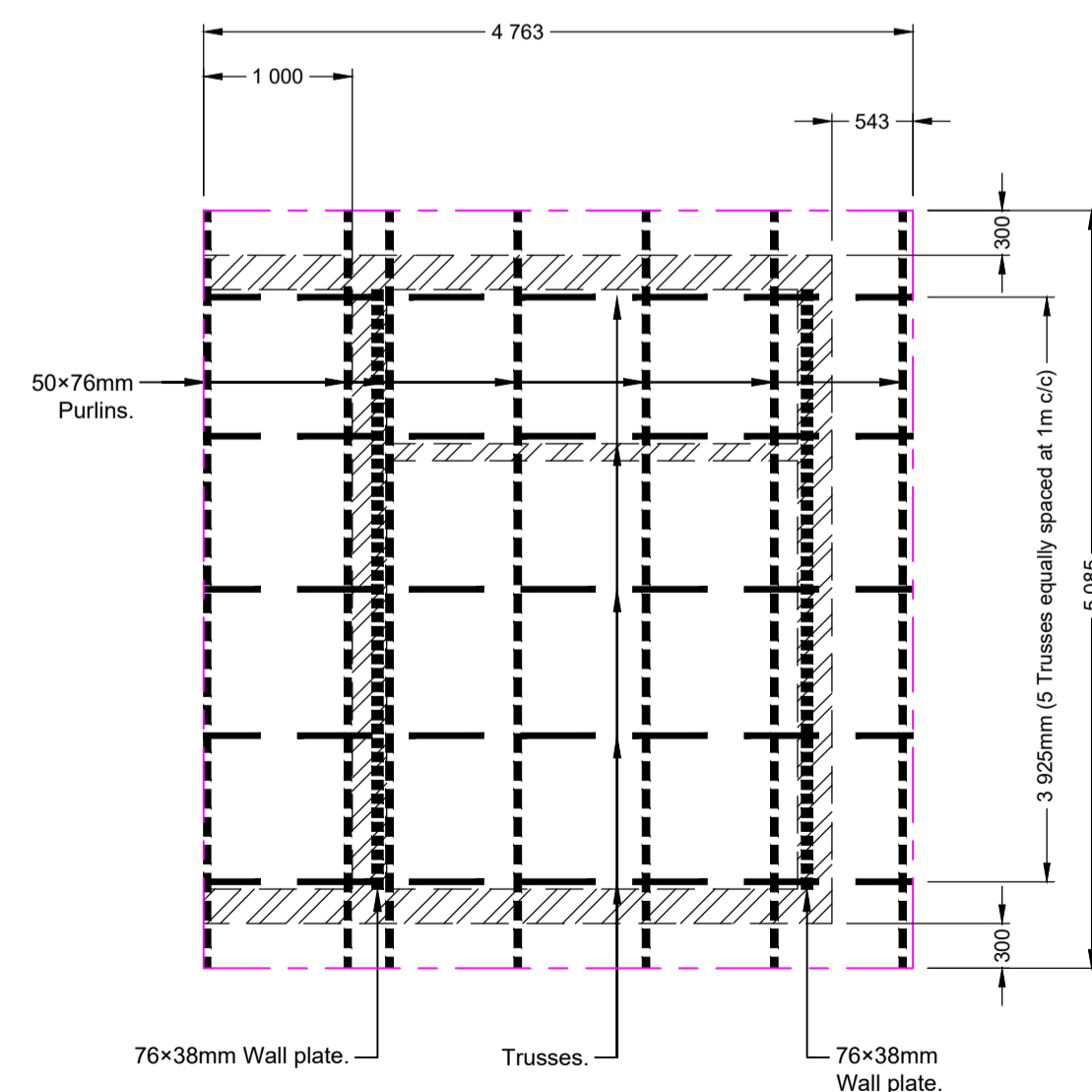
ELECTRICAL LEGEND	
	Ceiling light point, placed in centre or as shown
	Exterior wall light, height as indicated
	1.5m Double Fluorescent light
	Light Switch 1250 a.f.f.l.
	Double wall plug, 300 a.f.f.l. or as indicated
	Distribution Board top 2100mm A.F.F.L.



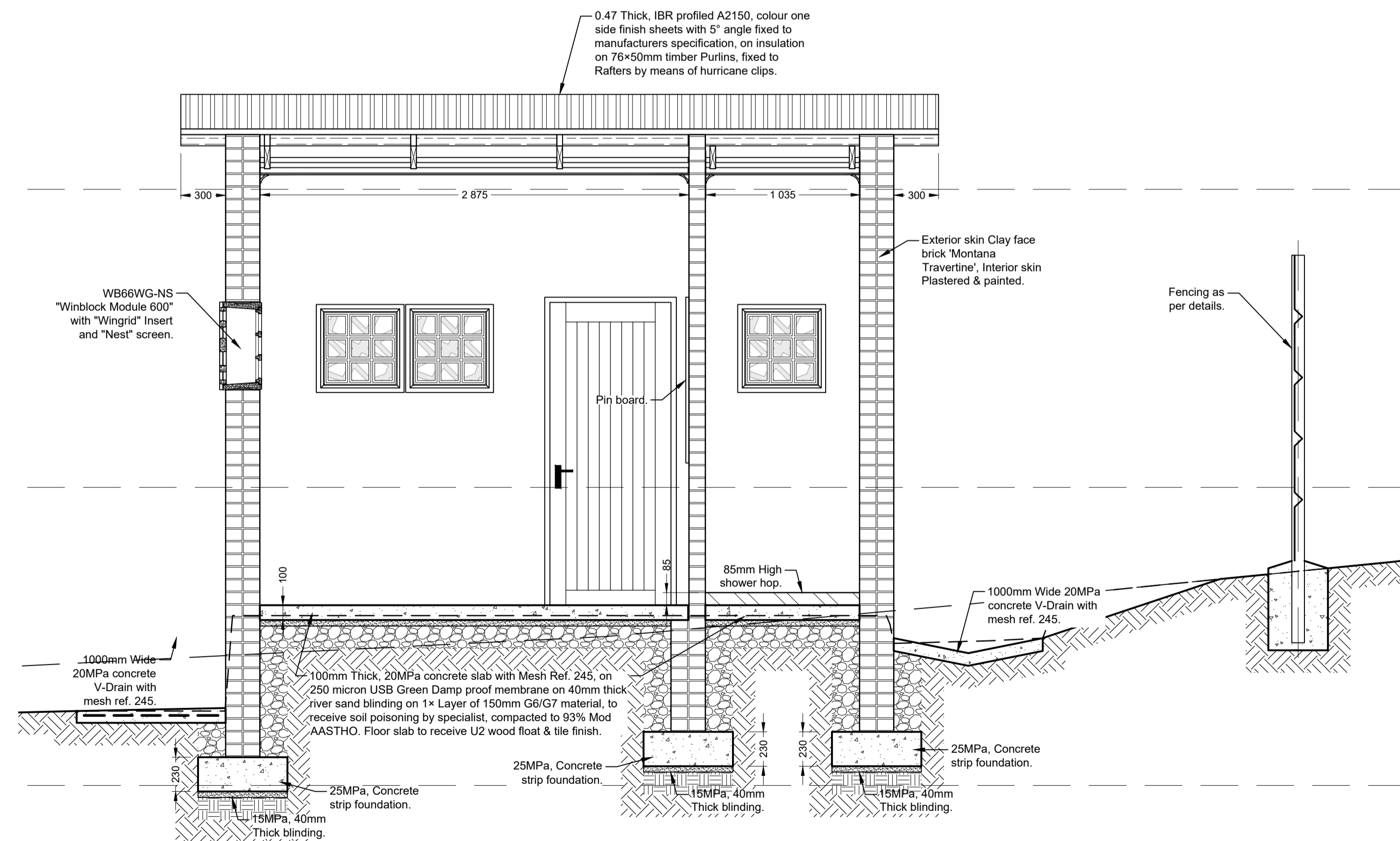
SECTION 8A-8A
Scale 1 : 25



GATE HOUSE BUILDING DB



ROOF PLAN
Scale 1 : 50



SECTION 8B-8B
Scale 1 : 25

Do not scale off drawing - ASK THE ENGINEER IF UNCERTAIN!
Any discrepancies between any drawings must be clarified before work is continued on site.

FOR TENDER PURPOSES ONLY

READ THIS DRAWING IN CONJUNCTION WITH

Drawing Number	Drawing Description

AMENDMENTS

Rev.	Date	Description	Initials

ECA CONSULTING MBOMBELA OFFICE:
29 Marloth Street | Mbombela | Mpumalanga | RSA
mbombela@ecacconsult.co.za
Tel: +27 (0)13 752 2357
www.ecacconsult.co.za
OTHER OFFICES:
VRYHEID | GAUTENG | PIETERMARITZBURG | LADYSMITH
Company Reg.: 2004/019299/07
ISO Registered 9001:2015

Designed and Approved by:
Name: J.W. Janse v Rensburg
Designation: PrTechEng
ECSA Reg.: 201070143
Date: 5 Dec 2024

Project Funder/ Client:

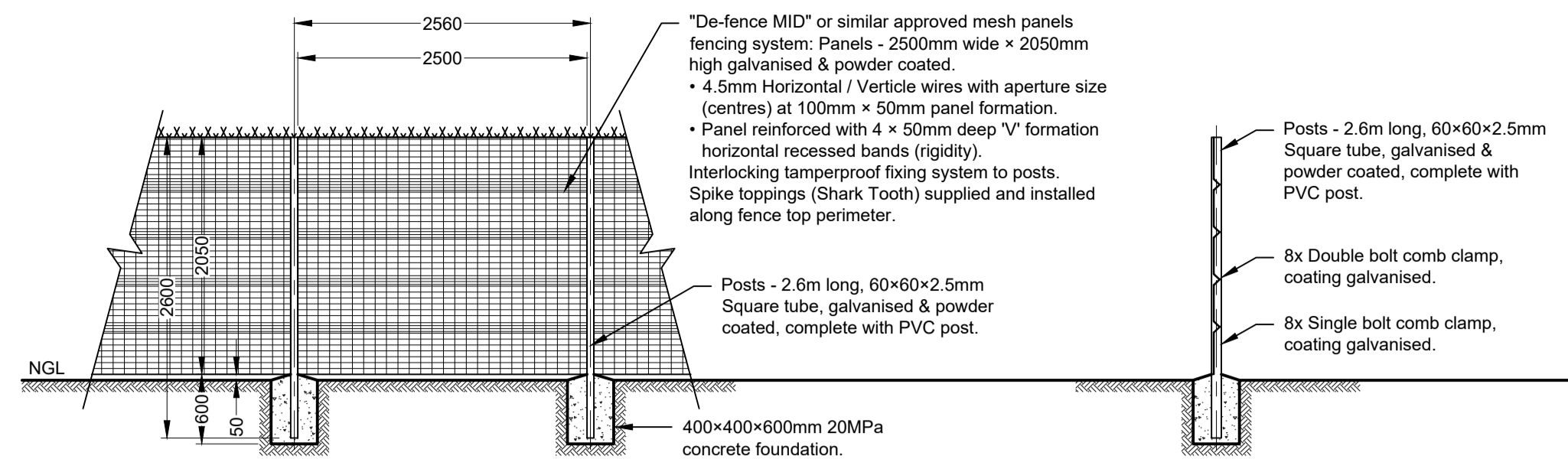
NKOMAZI LOCAL MUNICIPALITY

Approved by Client:
Name: _____
Signature: _____ Date: _____

Project:
SCHOEMANSDAL SPORTS FACILITY

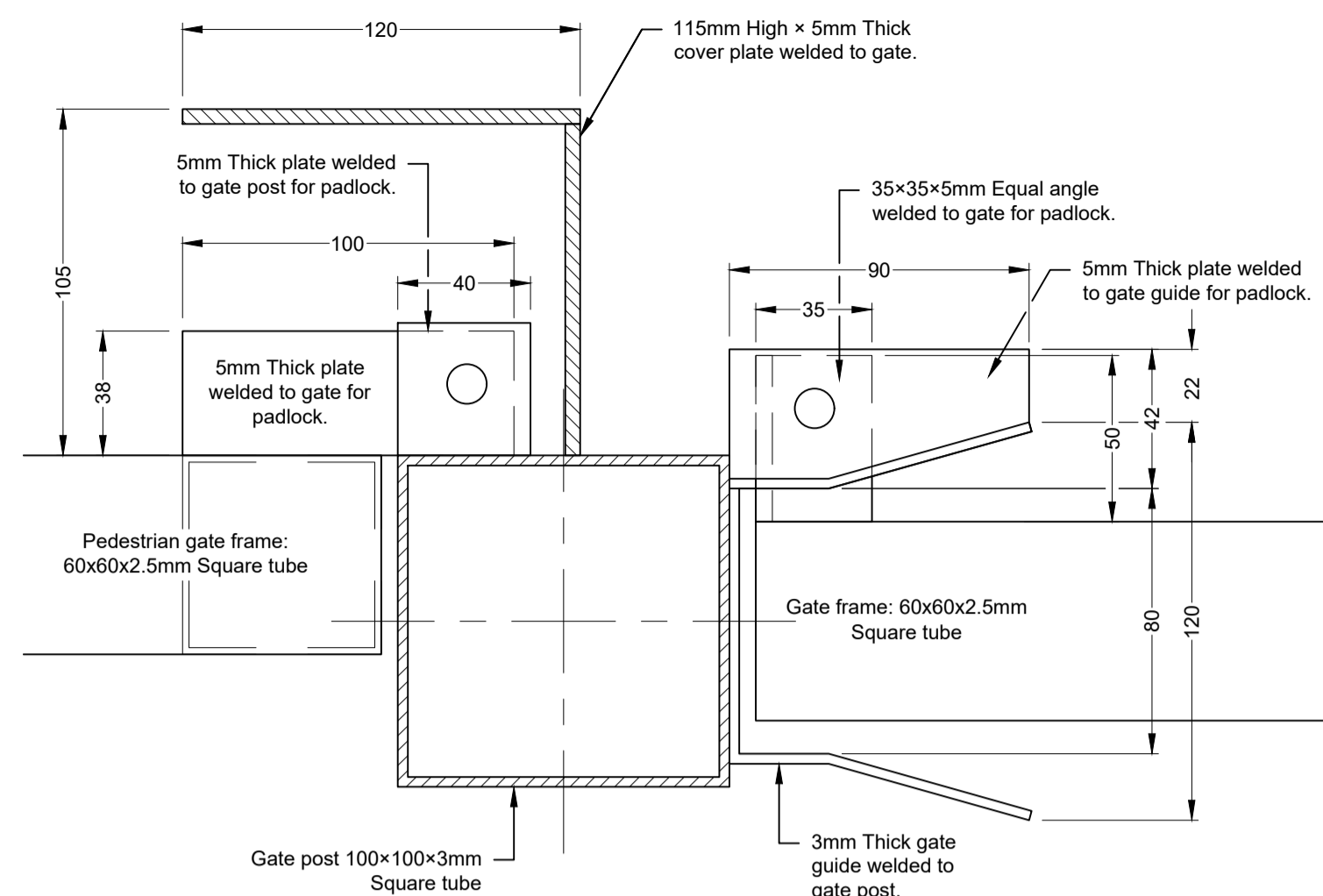
Drawing description:
NEW GATE HOUSE PLANS & SECTIONS

Drawn: G.D Bezuienhout	Checked: J. J v Rensburg
Date: 23 Sep 2024	Date: 02 Dec 2024
Scale/s: As Shown	
Drawing number: 23-017-M-08-02	Rev.: 00

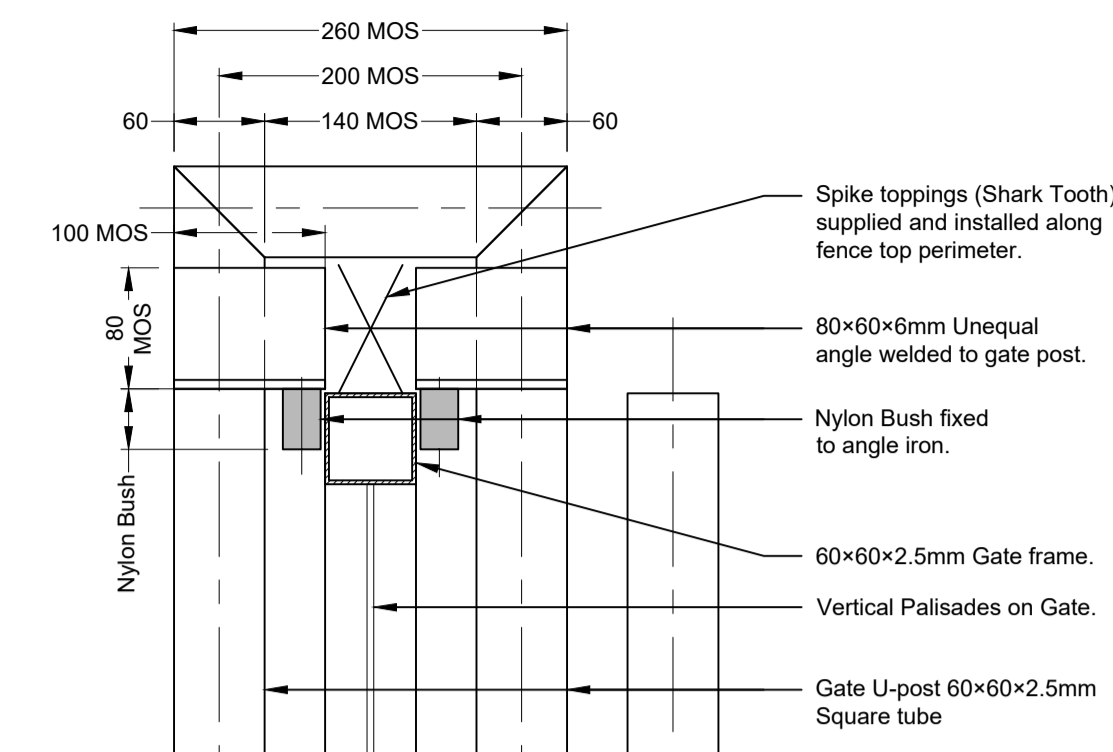


ELEVATION OF FENCE
Scale 1 : 50

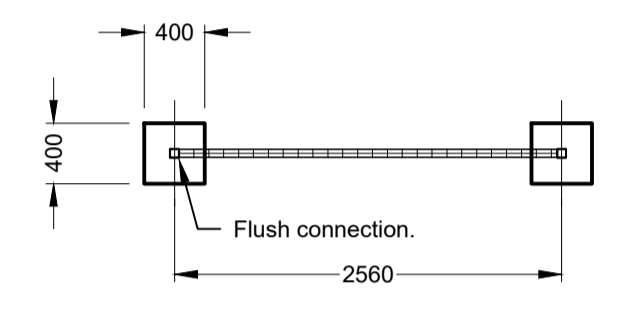
DETAIL OF POST
Scale 1 : 50



GATE LOCKING DETAILS
Scale 1 : 2

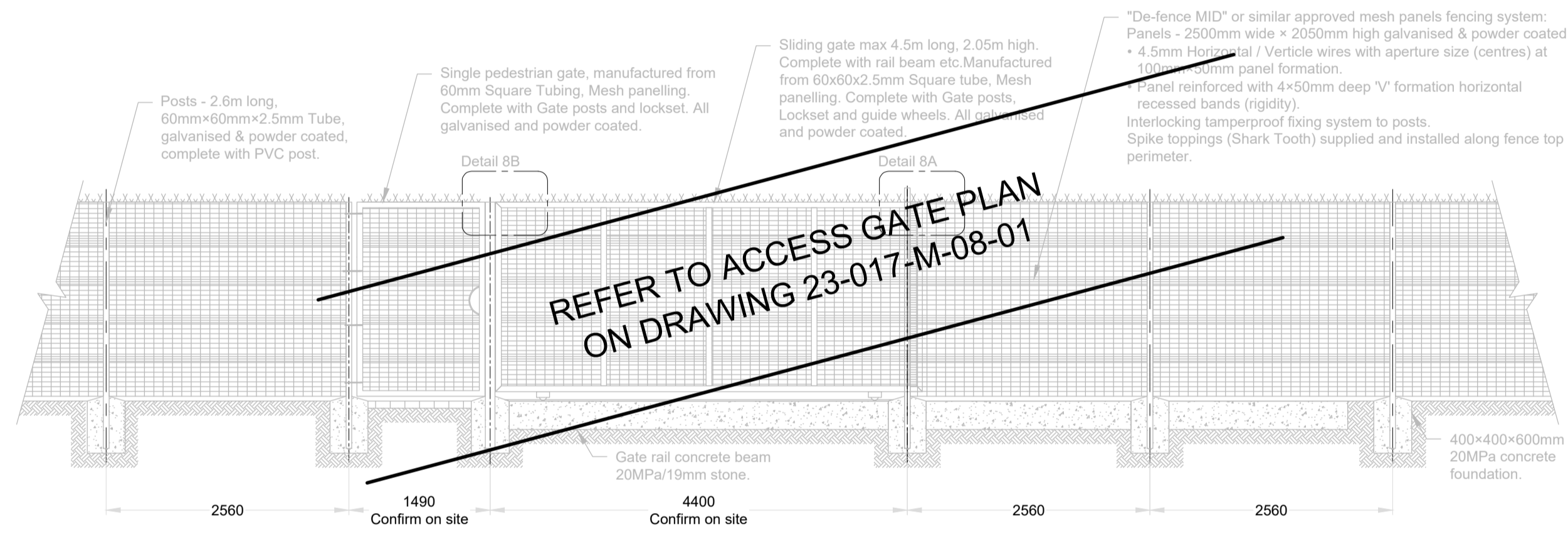


GATE TOP GUIDE DETAIL
Scale 1 : 5

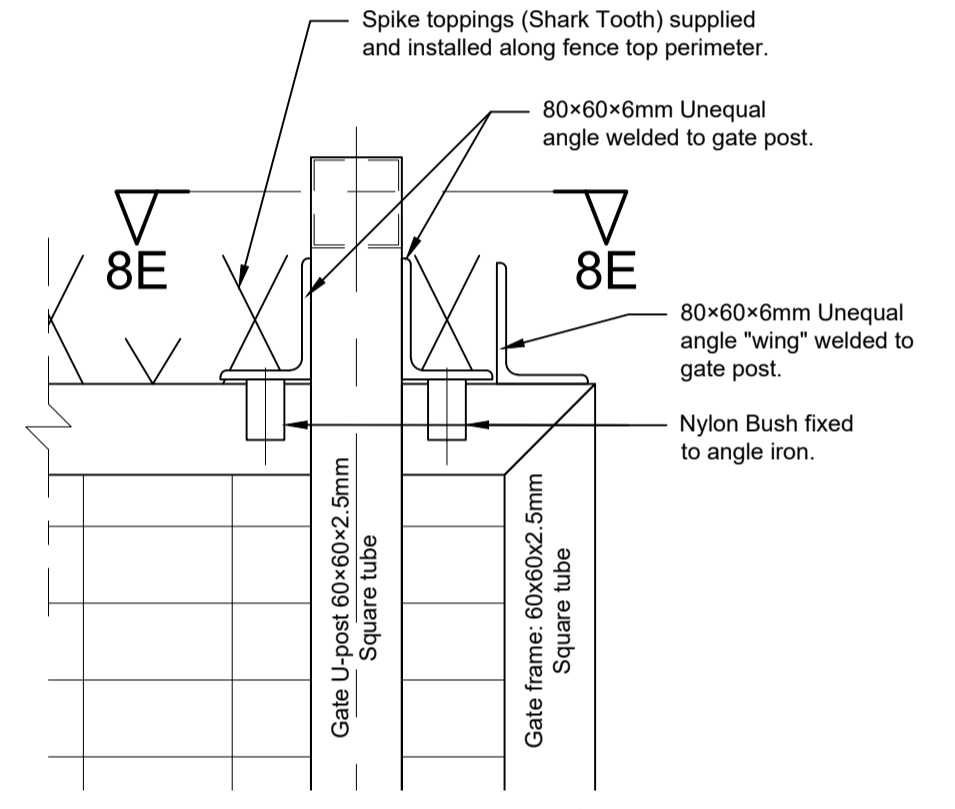


PLAN VIEW OF FENCE
Scale 1 : 50

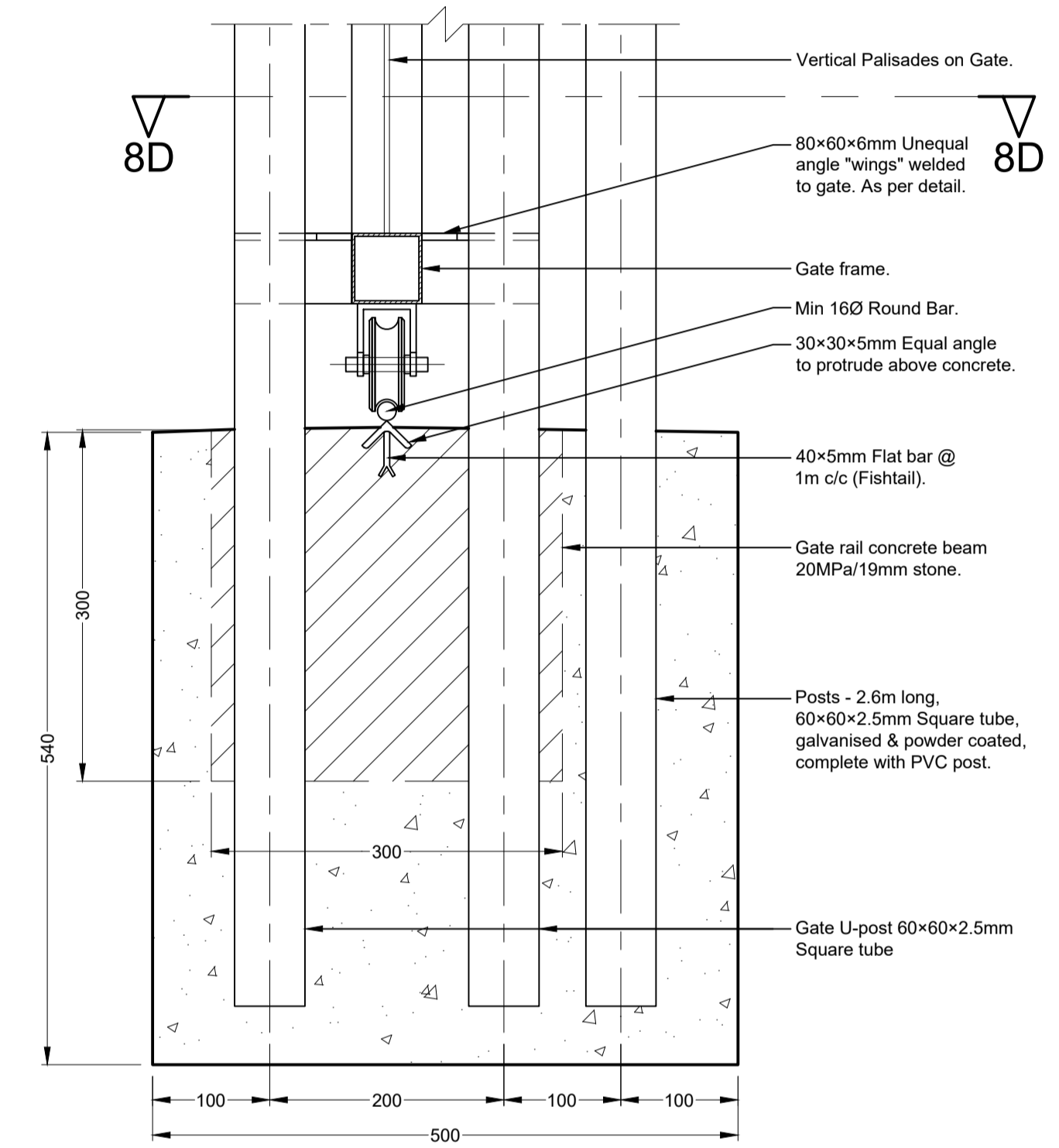
NO#	ITEM	DESCRIPTION
1	PANEL	"De-fence MID" or similar approved mesh panels fencing system: Panels - 2500mm wide x 2050mm high galvanised & powder coated • 4.5mm Horizontal / Vertical wires with aperture size (centres) at 100mm x 50mm panel formation. • Panel reinforced with 4 x 50mm deep "V" formation horizontal recessed bands (rigidity). Interlocking tamperproof fixing system to posts. Spike toppings (Shark Tooth) supplied and installed along fence top perimeter.
2	POST	Posts - 2.6m long, 60x60x2.5mm Square tube, galvanised & powder coated, complete with PVC post.
3	CLAMPS	8x Double bolt comb clamp, coating galvanised. 8x Single bolt comb clamp, coating galvanised.
4	FOUNDATION	400x400x600mm 20MPa concrete foundation.



FRONT VIEW
Scale 1 : 50



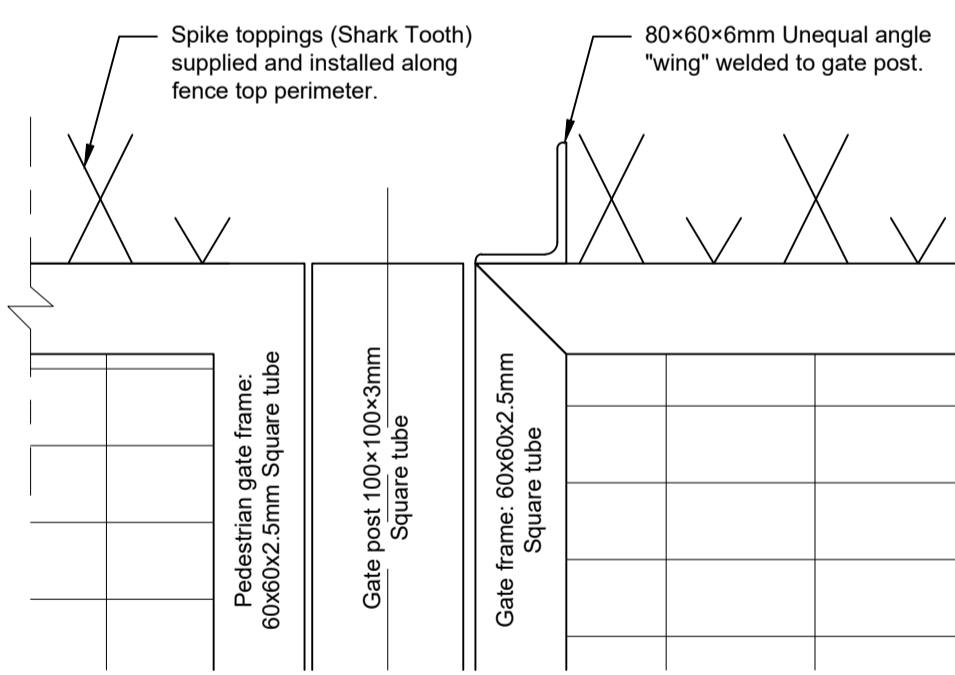
DETAIL 8A
Scale 1 : 5



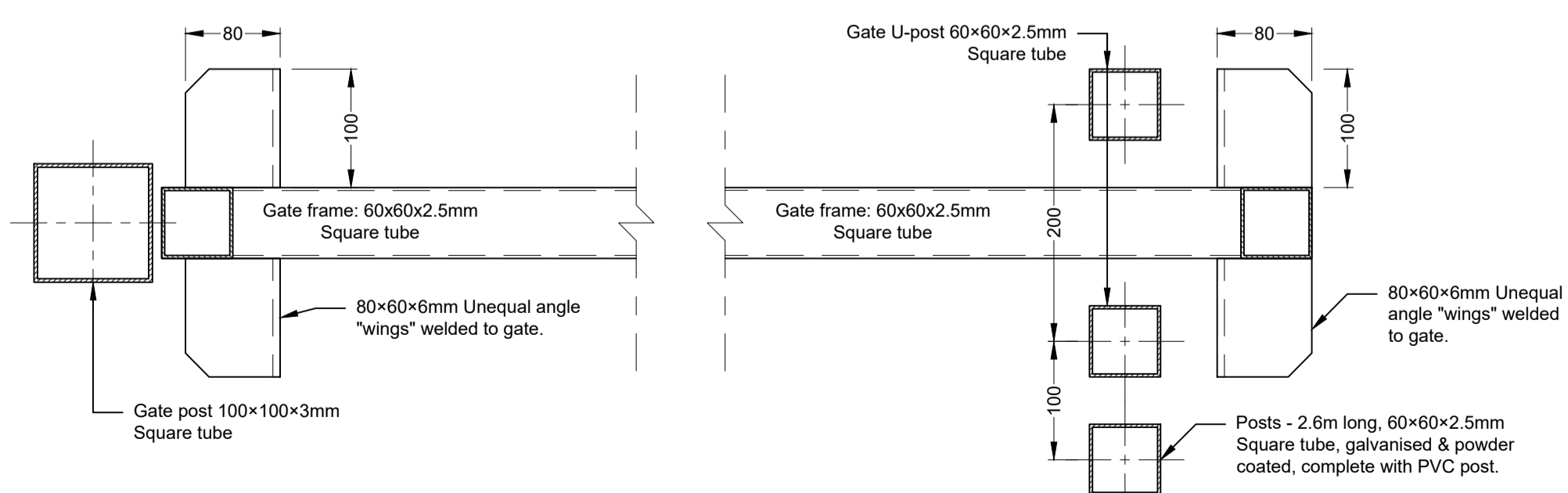
GATE RAIL DETAIL
Scale 1 : 5



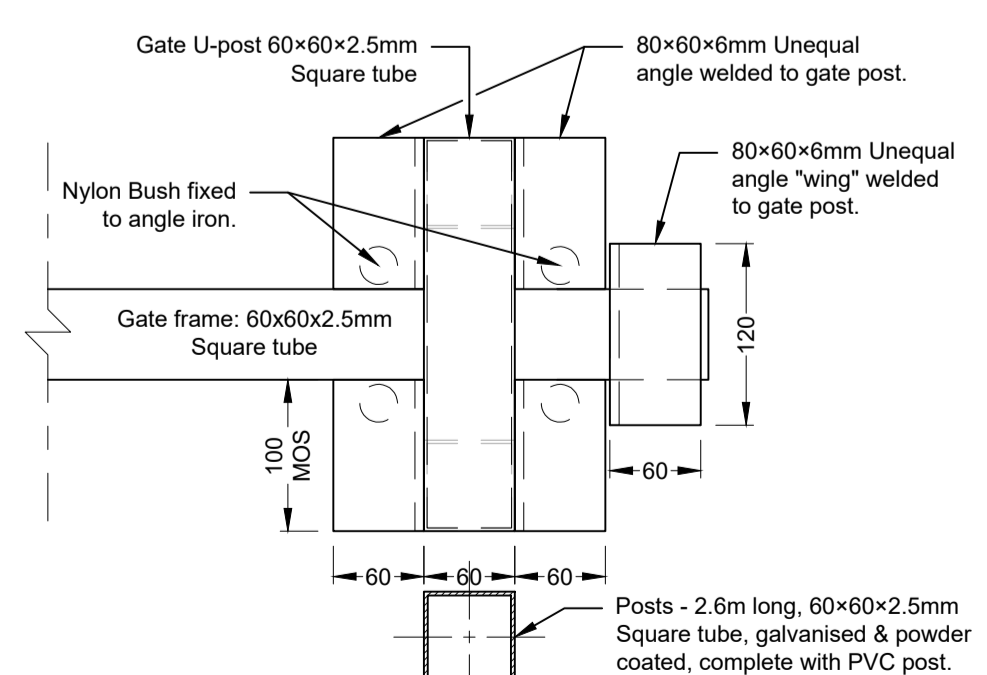
PLAN VIEW
Scale 1 : 50



DETAIL 8B
Scale 1 : 5



SECTION 8D-8D
Scale 1 : 5



SECTION 8E-8E
Scale 1 : 5

Do not scale off drawing - ASK THE ENGINEER IF UNCERTAIN!
Any discrepancies between any drawings must be clarified before work is continued on site.

FOR TENDER PURPOSES ONLY

READ THIS DRAWING IN CONJUNCTION WITH

Drawing Number	Drawing Description
23-017-M-08-01	Gate House Plans & Elevations

AMENDMENTS

Rev.	Date	Description	Initials

ECA CONSULTING MBOMBELA OFFICE:
23 Marioth Street | Mbombela | Mpumalange | RSA
mbombela@ecaconsult.co.za
Tel: +27 (0)13 752 2357
www.ecaconsult.co.za
Civil and Structural Engineers
Company Reg: 2004/019299/07
ISO Registered 9001:2015
VRYHEID | GAUTENG | PIETERMARITZBURG | LADYSMITH

Approved by Engineer: _____ Signature: _____
Name: J.W. Janse v Rensburg
Designation: PrTechEng
ECSA Reg.: 201070143 Date: 5 Dec 2024

Project Funder/ Client:
 NKOMAZI LOCAL MUNICIPALITY

Approved by Client:
Name: _____
Signature: _____ Date: _____

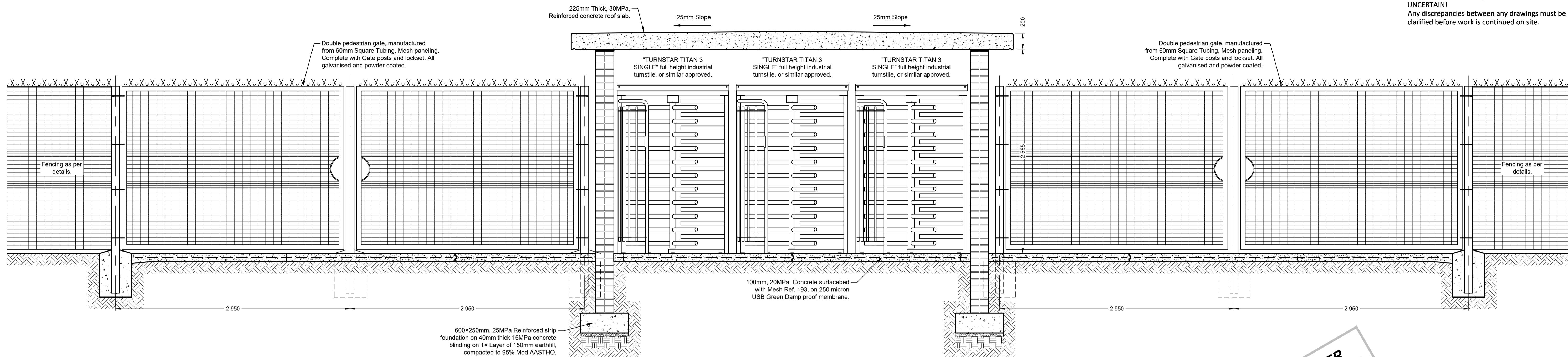
Project:
SCHOEMANSDAL SPORTS FACILITY

Drawing description:
FENCING DETAILS

Drawn: G.D Bezuienhout Checked: J. J v Rensburg
Date: 23 Sep 2024 Date: 02 Dec 2024

Scales: As Shown
Drawing number: 23-017-M-08-04 Rev.: 00

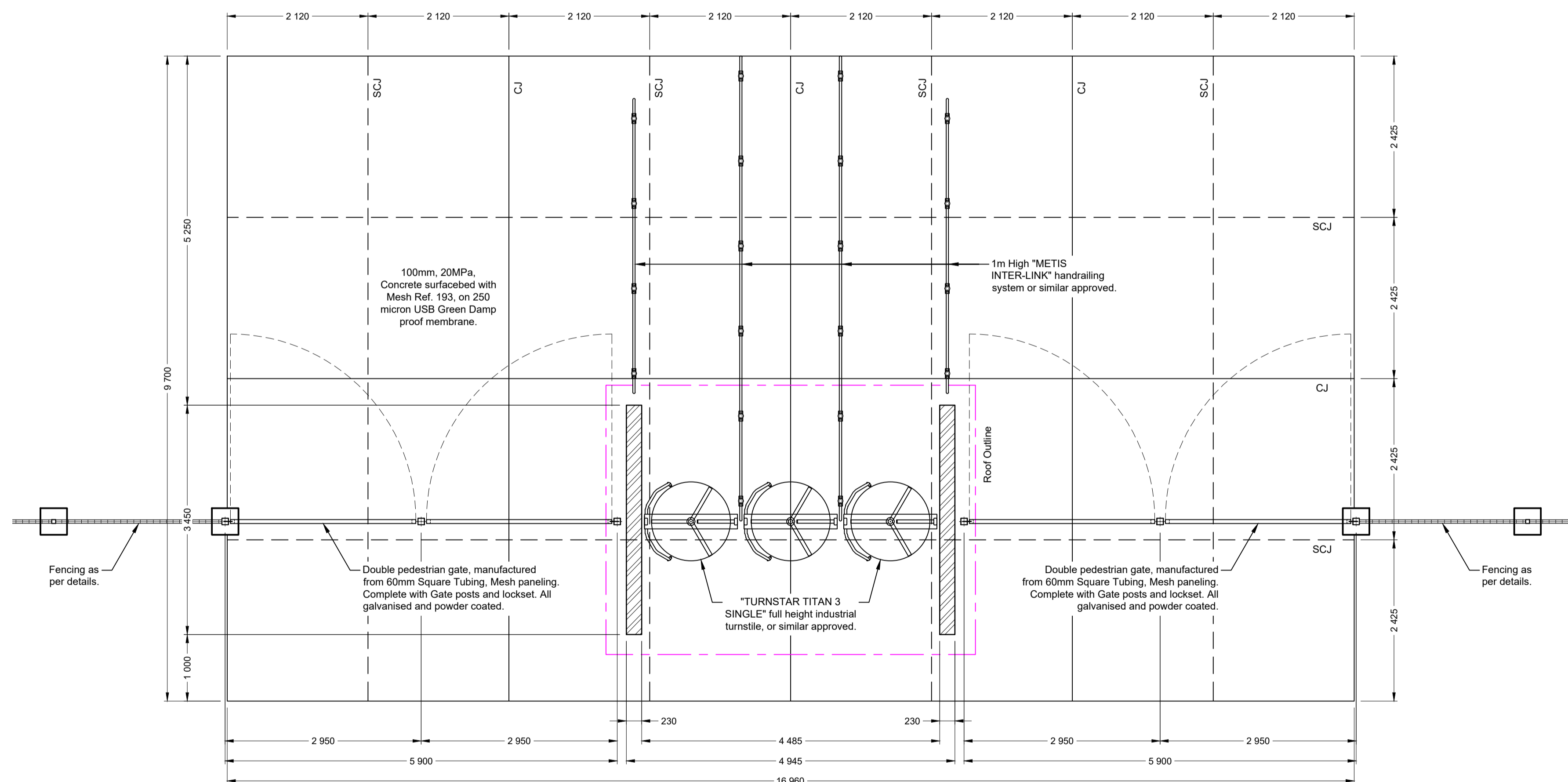
Do not scale off drawing - ASK THE ENGINEER IF UNCERTAIN!
Any discrepancies between any drawings must be clarified before work is continued on site.



TURNSTILE ENTRANCE TYPICAL SECTION

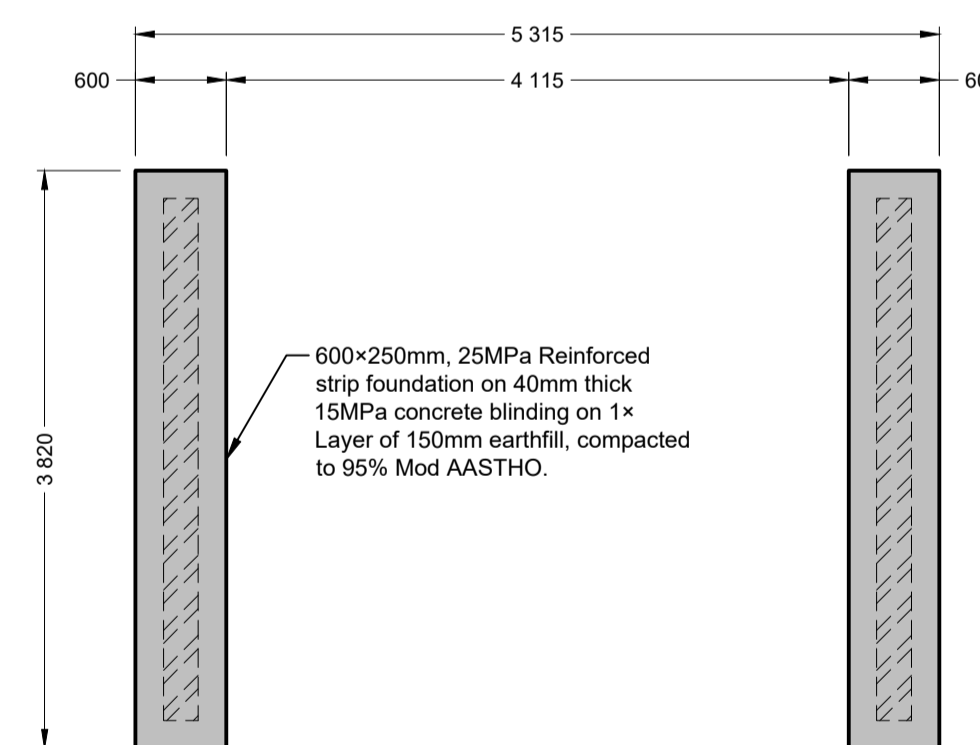
Scale 1 : 25

FOR TENDER PURPOSES ONLY



TURNSTILE ENTRANCE PLAN

Scale 1 : 50



TURNSTILE ENTRANCE FOUNDATION PLAN

Scale 1 : 50

READ THIS DRAWING IN CONJUNCTION WITH

Drawing Number	Drawing Description

AMENDMENTS

Rev.	Date	Description	Initials

ECA CONSULTING MBOMBELA OFFICE:
29 Marloth Street | Mbombela | Mpumalanga | RSA
mbombela@ecaconsult.co.za
Tel: +27 (0)13 752 2357
www.ecaconsult.co.za
Civil and Structural Engineers
OTHER OFFICES:
VRYHEID | GAUTENG | PIETERMARITZBURG | LADYSMITH
Company Reg.: 2004/019299/07
ISO Registered 9001:2015

Designed and Approved by:
Name: J.W. Janse v Rensburg
Designation: PrTechEng
ECSA Reg.: 201070143
Signature: _____
Date: 5 Dec 2024

Project Funder/ Client:
 **NKOMAZI LOCAL MUNICIPALITY**

Approved by Client:
Name: _____
Signature: _____ Date: _____

Project:
SCHOEMANSDAL SPORTS FACILITY

Drawing description:
NEW TURNSTILE ENTRANCE PLANS & ELEVATIONS

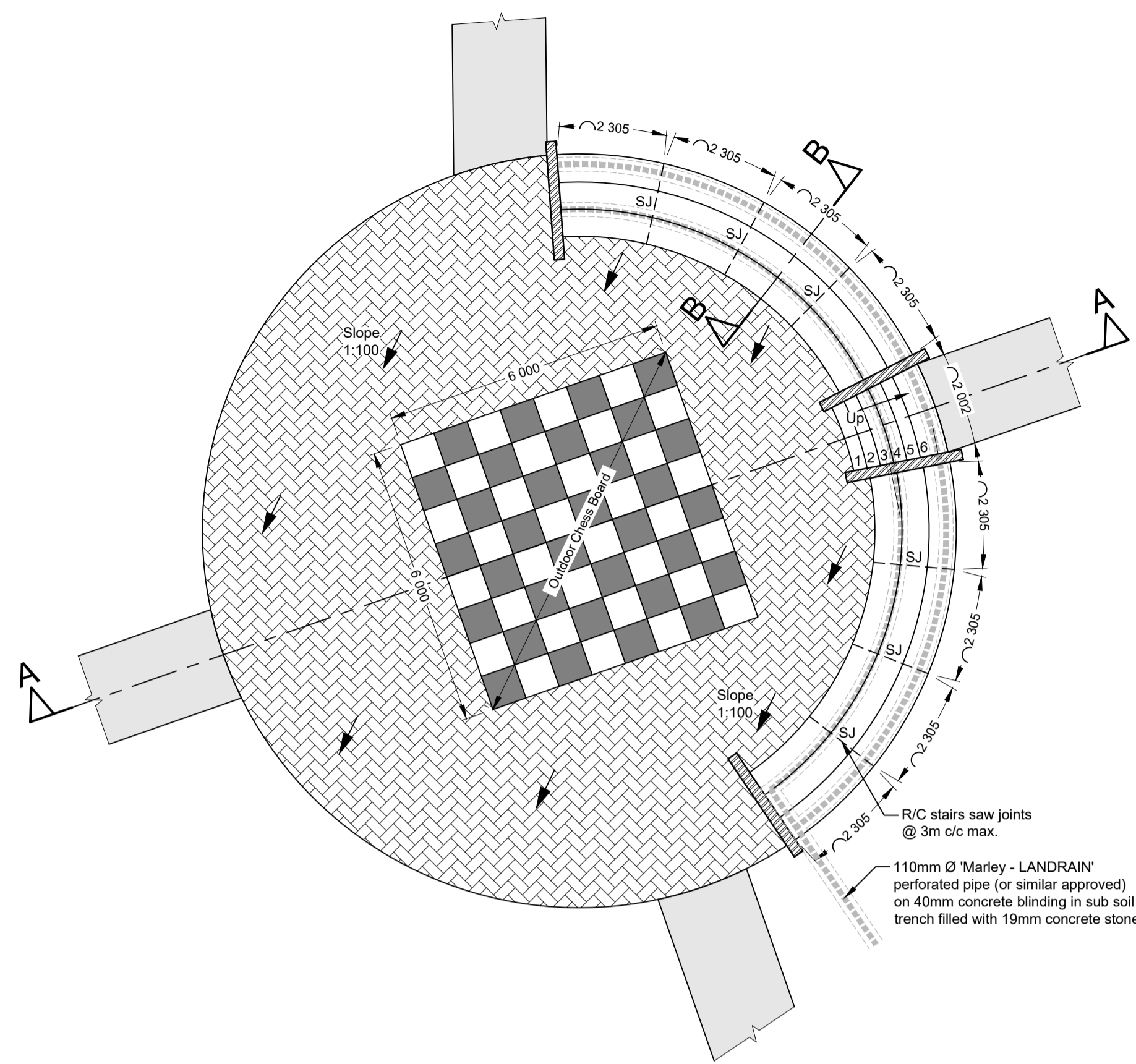
Drawn: G.D Bezuienhout Checked: J. J v Rensburg

Date: 23 Sep 2024 Date: 02 Dec 2024

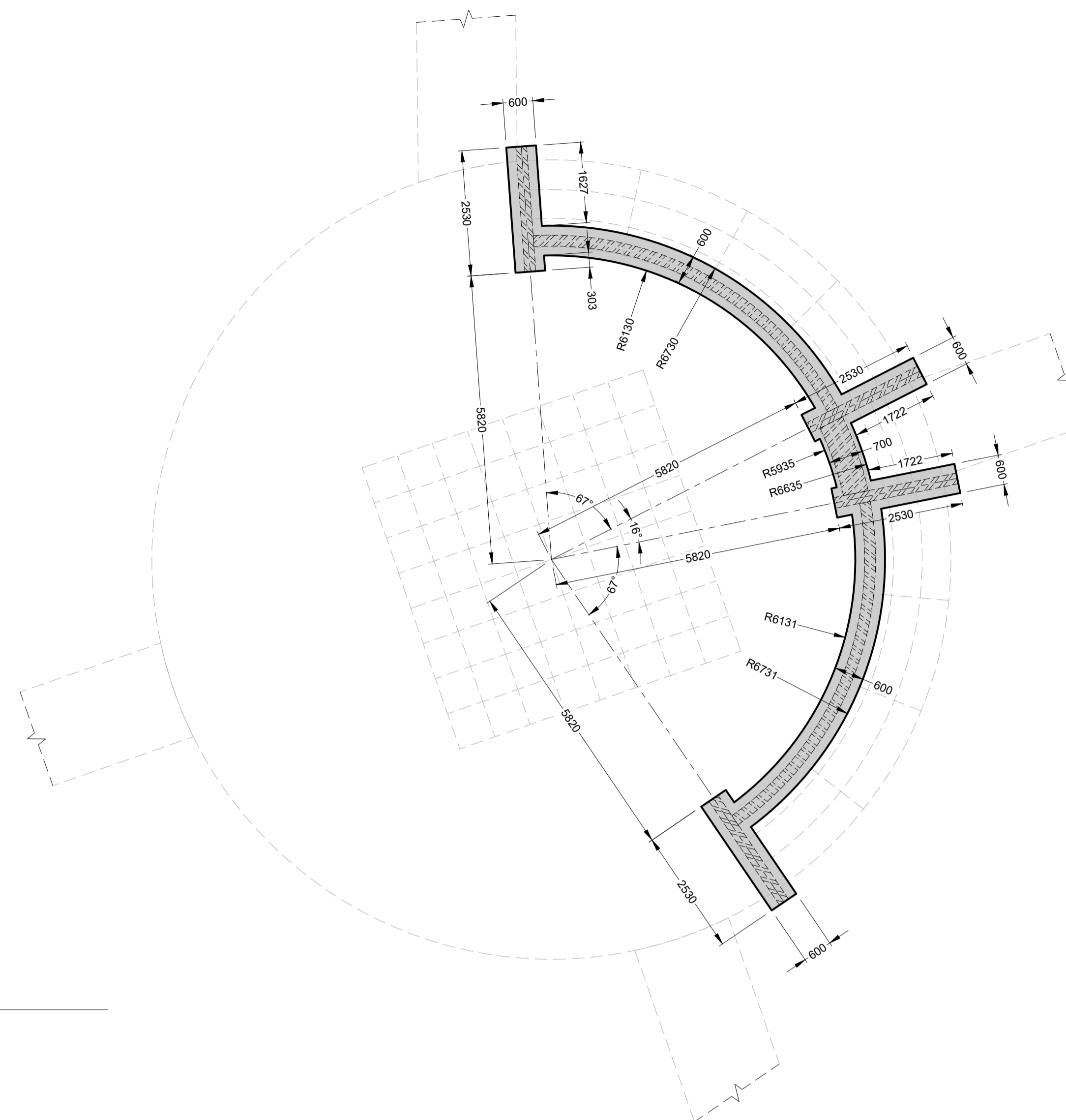
Scale/s: As Shown

Drawing number: 23-017-M-08-06 Rev.: 00

Do not scale off drawing - ASK THE ENGINEER IF UNCERTAIN!
Any discrepancies between any drawings must be clarified before work is continued on site.



PLAN
Scale 1 : 100



FOUNDATION PLAN
Scale 1 : 75

FOR TENDER PURPOSES ONLY

READ THIS DRAWING IN CONJUNCTION WITH

Drawing Number	Drawing Description

AMENDMENTS

Rev.	Date	Description	Initials

ECA CONSULTING MBOMBELA OFFICE:
29 Marloth Street | Mbombela | Mpumalanga | RSA
Tel: +27 (0)13 752 2357
www.ecaconsult.co.za
mbombela@ecaconsult.co.za

Civil and Structural Engineers

Company Reg.: 2004/019299/07
ISO Registered 9001:2015

OTHER OFFICES:
VRYHEID | GAUTENG | PIETERMARITZBURG | LADYSMITH

Designed and Approved by: _____ Signature: _____
Name: J.W. Janse v Rensburg
Designation: PrTechEng
ECSA Reg.: 201070143 Date: 5 Dec 2024

Project Funder/ Client:



NKOMAZI LOCAL MUNICIPALITY

Approved by Client: _____
Name: _____
Signature: _____ Date: _____

Project:

SCHOEMANSDAL SPORTS FACILITY

Drawing description:

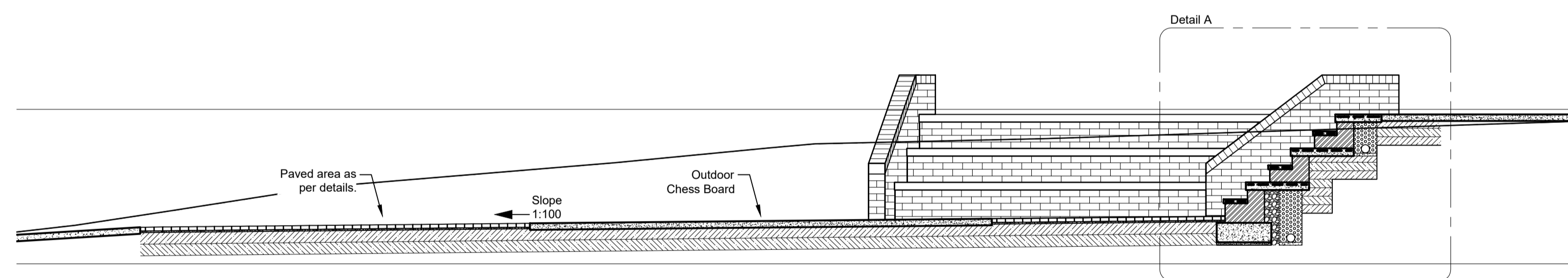
NEW OUTDOOR CHESS BOARD PLANS & DETAILS

Drawn: G.D Bezuienhout Checked: J. J v Rensburg

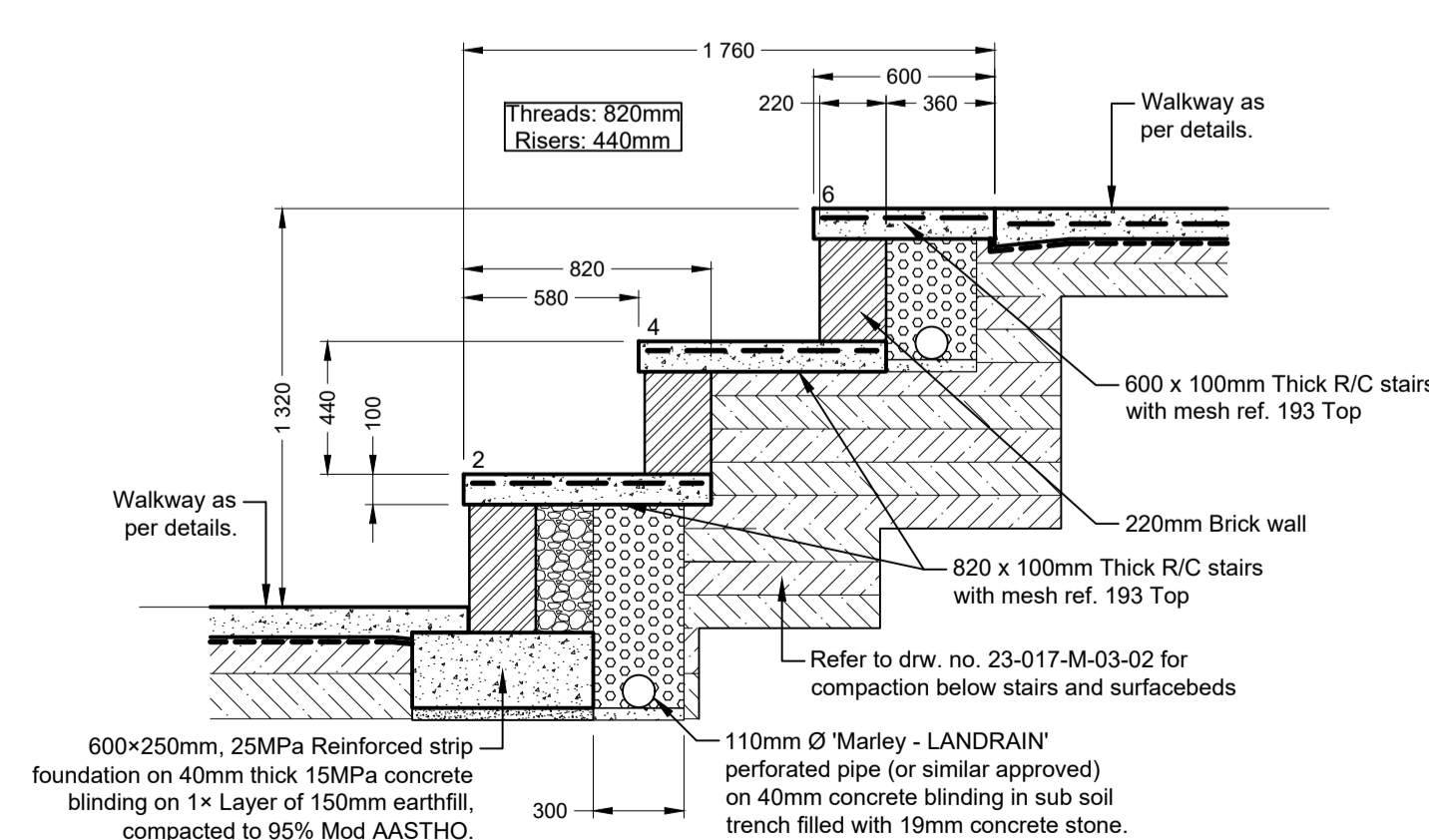
Date: 23 Sep 2024 Date: 02 Dec 2024

Scale/s: As Shown

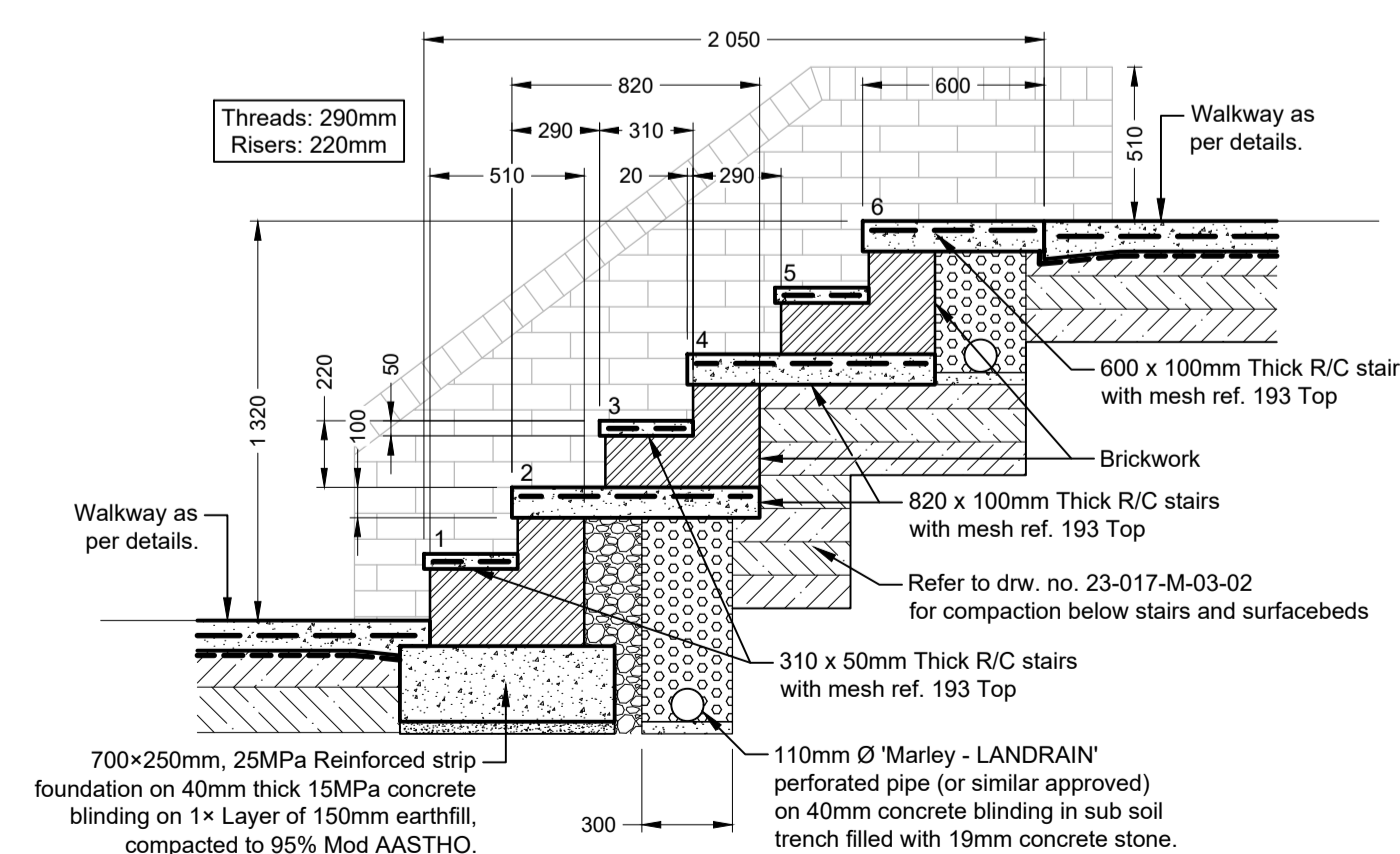
Drawing number: 23-017-M-08-08 Rev.: 00



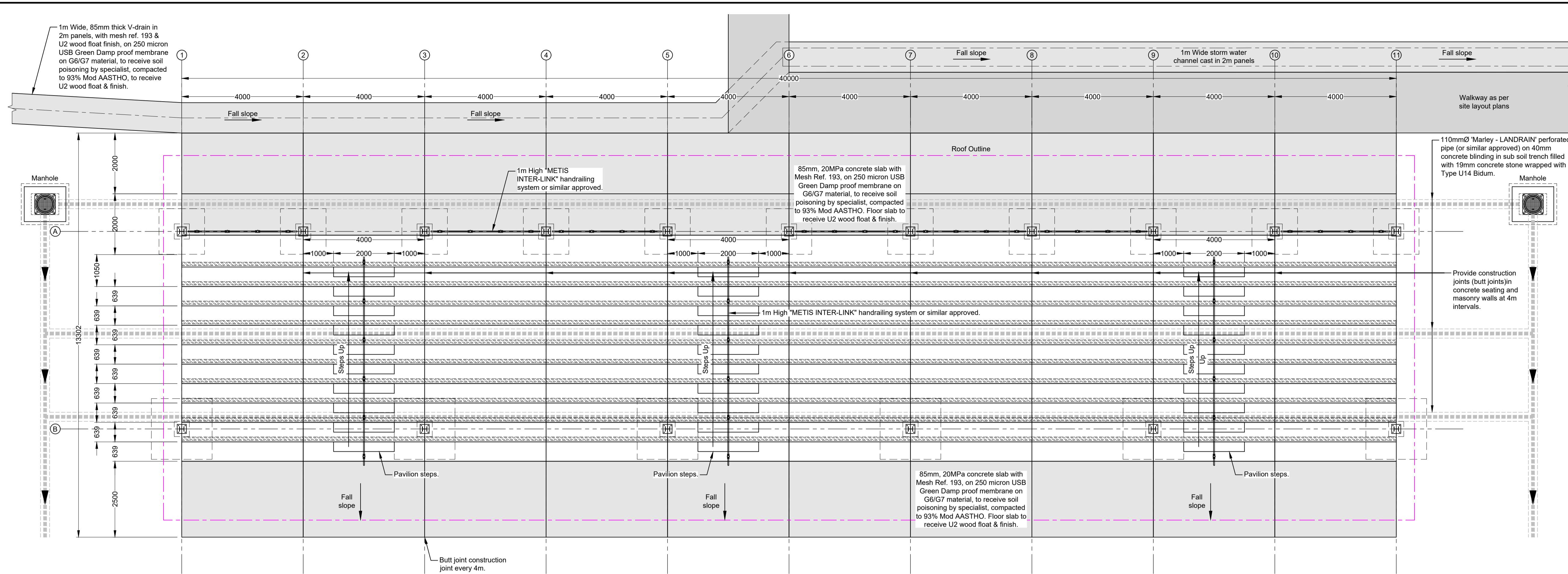
SECTION A-A
Scale 1 : 50



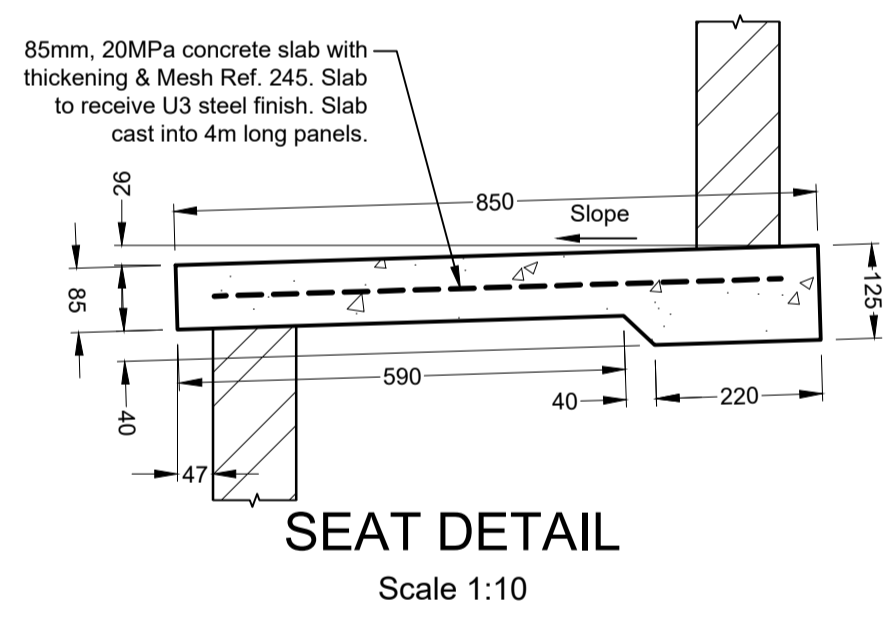
SECTION B-B
Scale 1 : 25



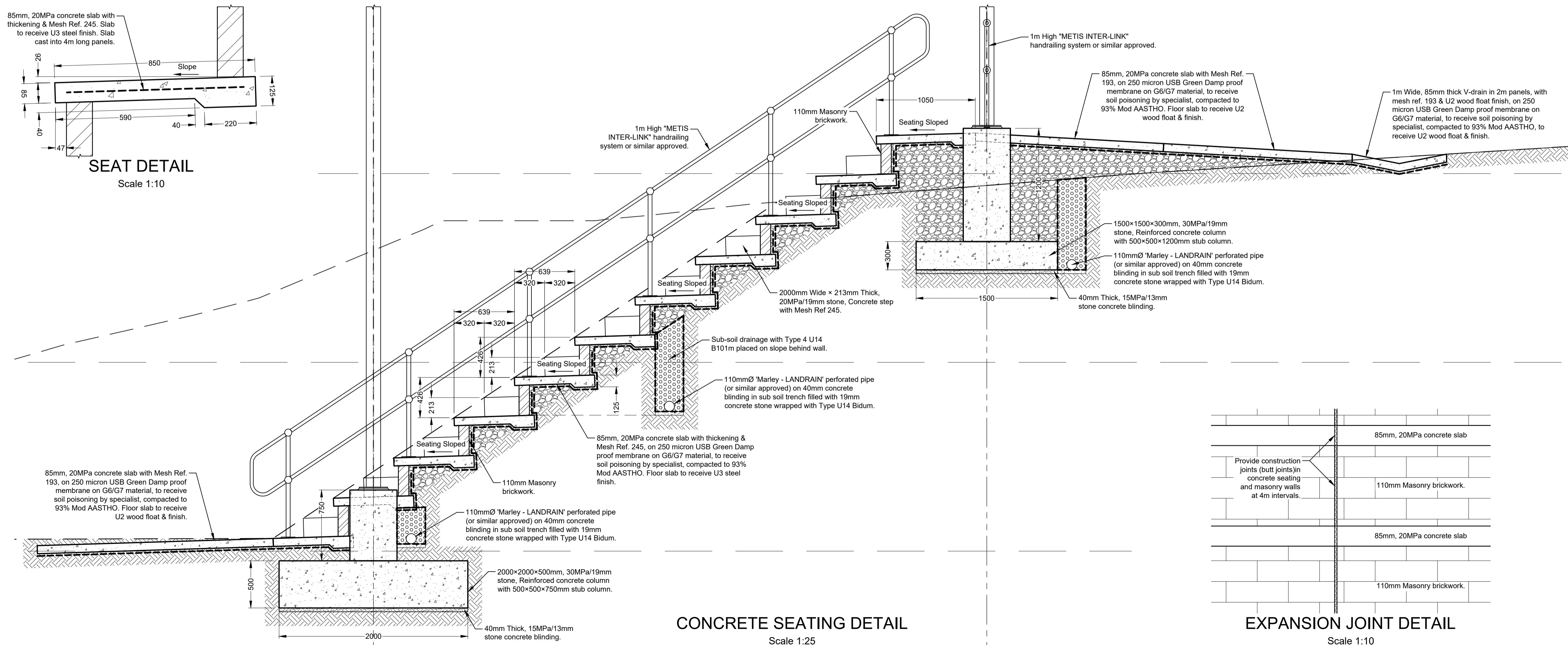
DETAIL A
Scale 1 : 25



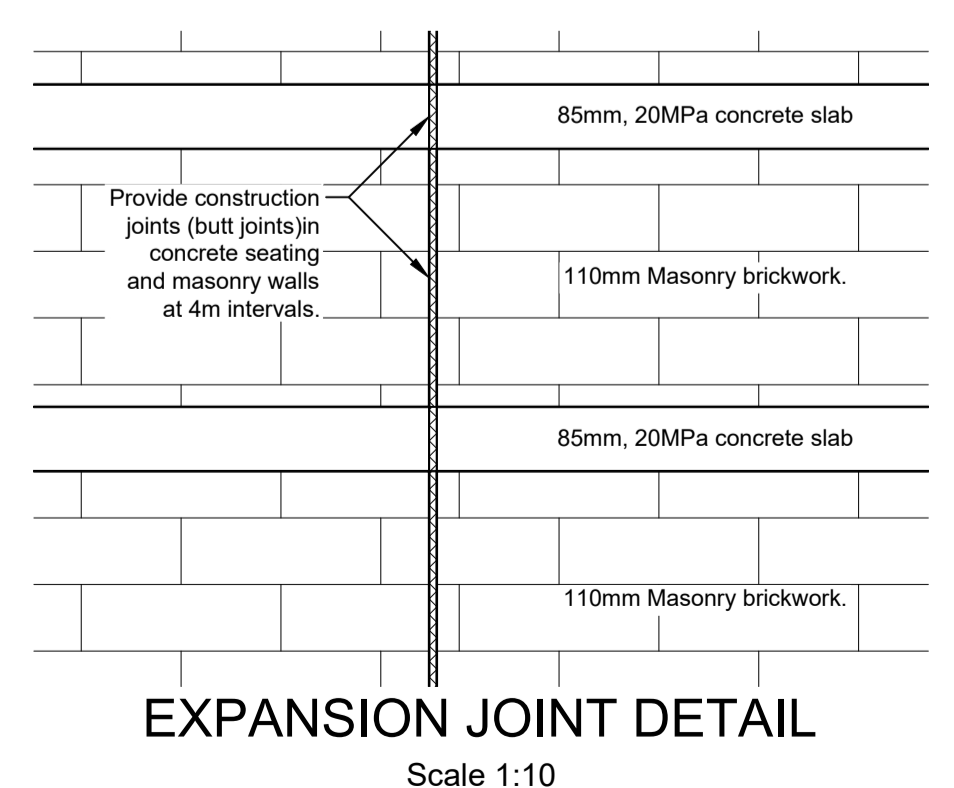
FLOOR LAYOUT PLAN
Scale 1:75



SEAT DETAIL
Scale 1:10



CONCRETE SEATING DETAIL
Scale 1:25



EXPANSION JOINT DETAIL
Scale 1:10

Do not scale off drawing - ASK THE ENGINEER IF UNCERTAIN!
Any discrepancies between any drawings must be clarified before work is continued on site.

FOR TENDER PURPOSES ONLY

READ THIS DRAWING IN CONJUNCTION WITH

Drawing Number	Drawing Description

AMENDMENTS

Rev.	Date	Description	Initials

ECA CONSULTING MBOMBELA OFFICE:
23 Mariotth Street | Mbombela | Mpumalanga | RSA
mbombela@ecaconsult.co.za
Tel: +27 (0)13 752 2357
www.ecaconsult.co.za
Civil and Structural Engineers
Company Reg: 2004/019299/07
ISO Registered 9001:2015
OTHER OFFICES:
VRYHEID | GAUTENG | PIETERMARITZBURG | LADYSMITH

Approved by Engineer: J.W. Janse v Rensburg
Designation: PrTechEng
ECOSA Reg.: 201070143
Date: 7 May 2025

Project Funder/ Client:
 NKOMAZI LOCAL MUNICIPALITY

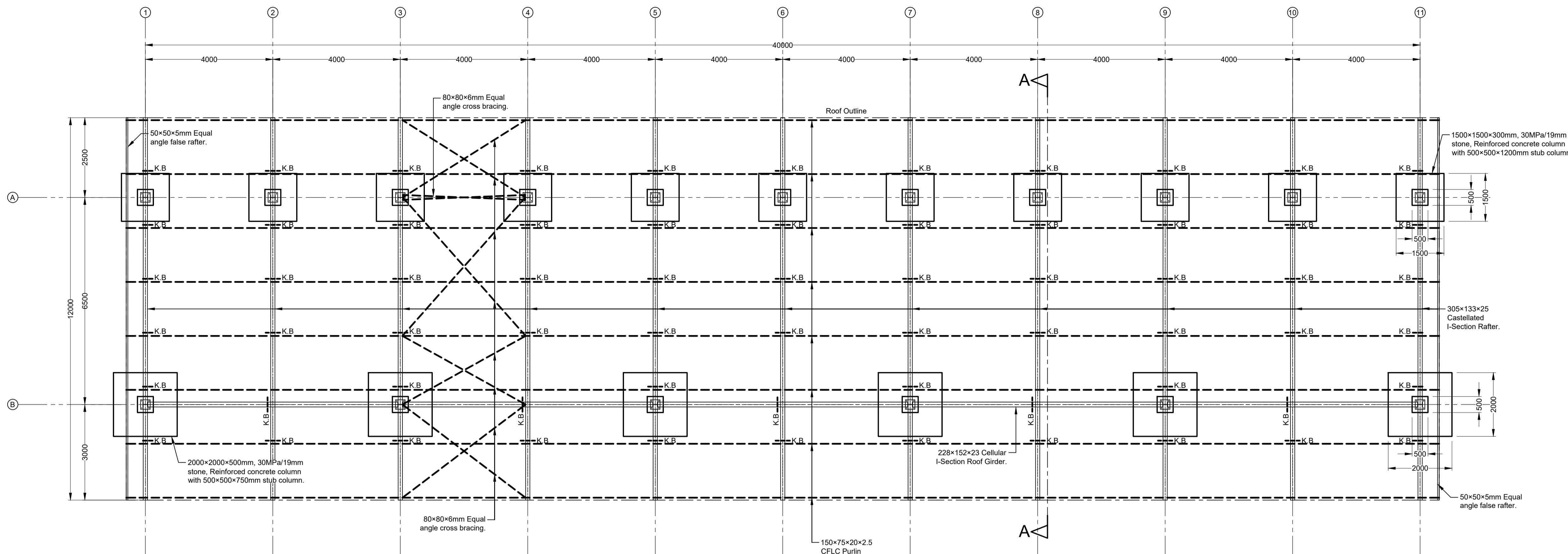
Approved by Client:
Name: _____
Signature: _____ Date: _____

Project:
SCHOEMANSDAL SPORTS FACILITY

Drawing description:
NEW EASTERN PAVILION PLAN & DETAIL

Drawn: G.D Bezuinhout	Checked: J. v Rensburg
Date: 23 Sep 2024	Date: 02 Dec 2024
Scale/s: As Shown	
Drawing number: 23-017-M-09-01	Rev.: 00

Do not scale off drawing - ASK THE ENGINEER IF UNCERTAIN!
Any discrepancies between any drawings must be clarified before work is continued on site.



FLOOR LAYOUT PLAN
Scale 1:75

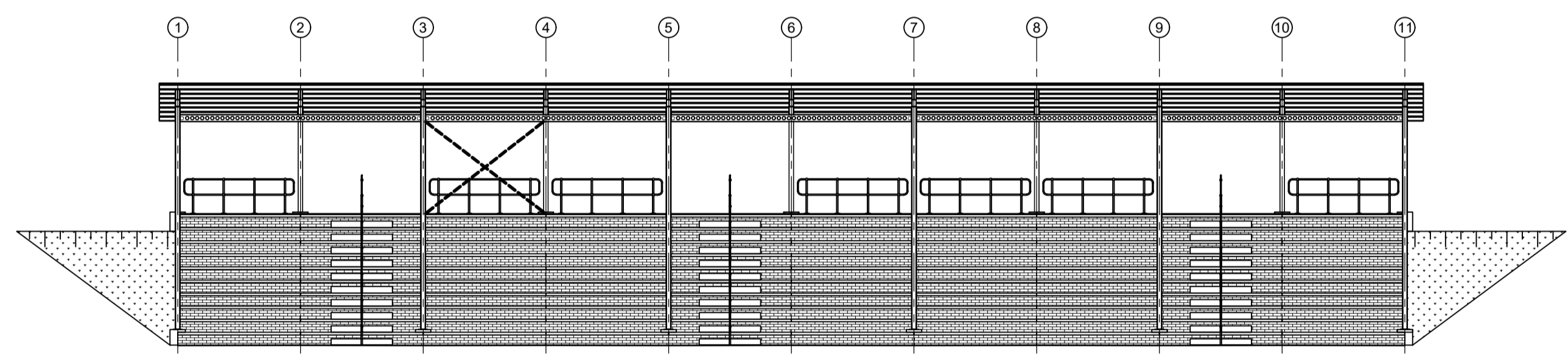
FOR TENDER PURPOSES ONLY

READ THIS DRAWING IN CONJUNCTION WITH

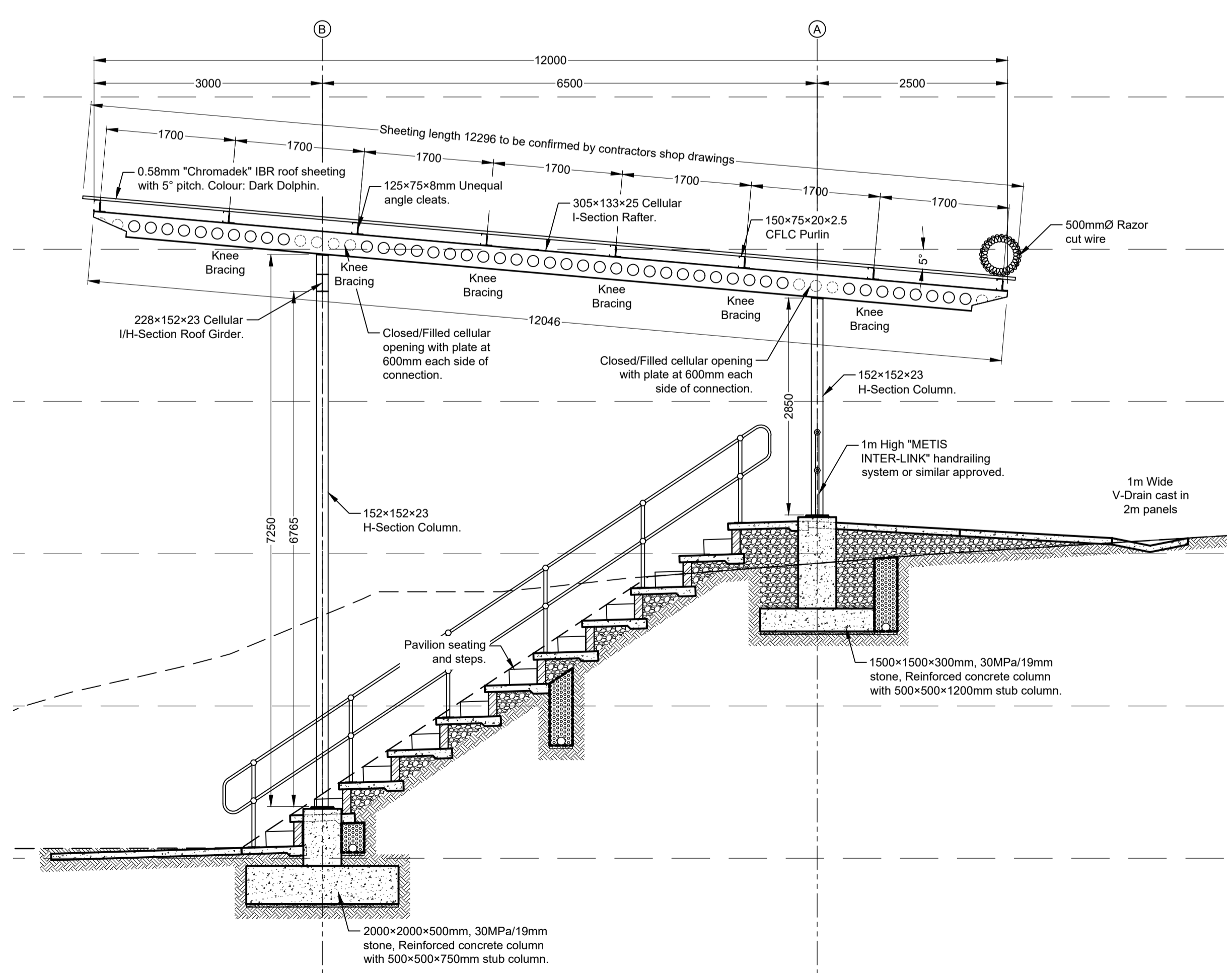
Drawing Number	Drawing Description

AMENDMENTS

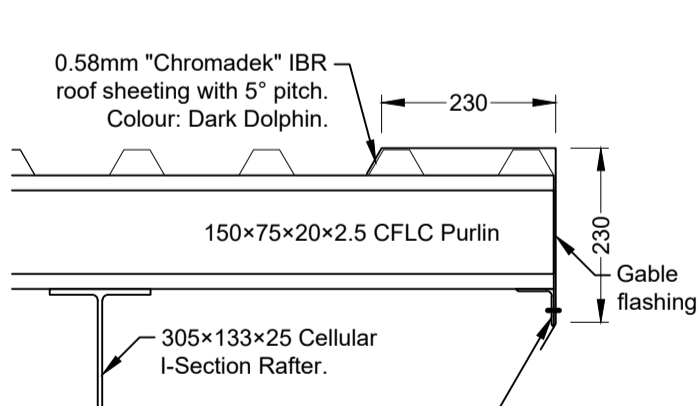
Rev.	Date	Description	Initials



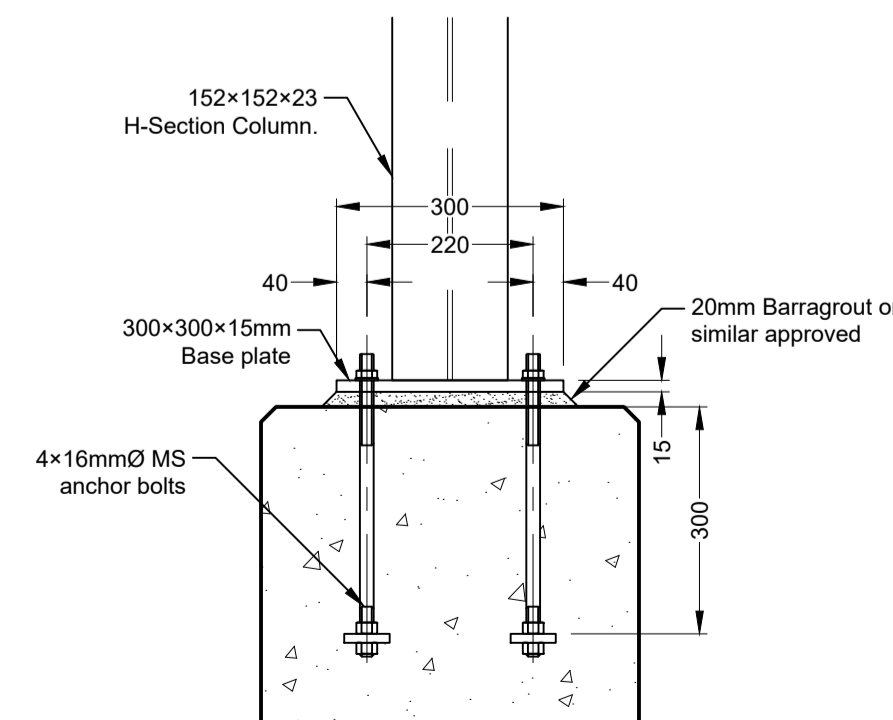
FRONT ELEVATION
Scale 1:150



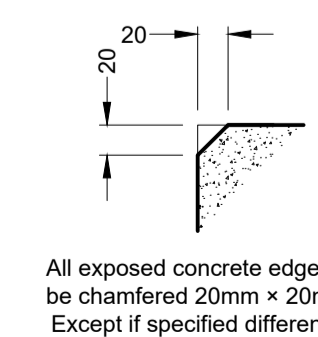
SECTION A-A
Scale 1:50



FALSE RAFTER DETAIL
Scale 1:10



ANCHOR BOLTS DETAIL
Scale 1:10



CHAMFER DETAIL
Scale 1:5

- GENERAL NOTES**
- All work to ensure compliance with the provisions of the OSH Act 85 of 1993 and Regulations R1010 as published in Government Gazette on 18 July 2003
 - All workmanship and materials to comply with the latest edition of the National Building Regulations (NBR) and SANS 10400, National Building Regulations
 - The contractor will take the required action to notify the inspector / engineer on achieving set milestones timeously, in order to conduct the required inspections without delaying the project.
 - The contractor must obtain written approval for approved inspections and any deviations.
 - Do not scale from drawings, rather Ask! Any discrepancies in measurement or material specifications are to be reported to the project manager and / or project engineer prior to continuation of work.

- CONSTRUCTION NOTES**
- STRUCTURAL STEELWORK
 - All structural Steel work shall comply with SABS 1200 H, using steel to SABS 1431 Grade 350W.
 - The steel fabricator shall use the engineer's drawings as a guideline and specification and in addition prepare his own shop manufacturing drawings. These drawings must be pre-approved by the design engineer.
 - Finish all structural steelwork shall be performed by remove slag and weld spatter, grind welds to smooth profile, radius sharp edges and paint. Apply Plascoat 3000 - Two pack epoxy coating.

- PAINT SPECS**
- To ensure the longevity of these exposed structural elements all identified surface rust to new and existing elements must be treated in the following manner:
- All paint shall be applied strictly in accordance with SABS 1200 HC-1988 and the manufacturer's specifications;
 - Repair of damaged paint and site painting shall be in accordance with SABS 1200 HC_1988 and SABS 0120 Part 3 Section HC;
 - The steelwork shall be cleaned by means of mechanical wire brush to remove all slag, dirt, rust etc, after all welding has been completed. If the steel is contaminated by oil, it shall be cleaned by means of a suitable detergent before wire brushing;
 - The first coat of zinc chromate primer (to SABS 679) shall be applied to a thickness of 30 microns. A second coat of general-purpose undercoat Type II (To SABS 681) shall be applied to a thickness of 30 microns. Two coats high gloss enamel to SABS 0120 shall be applied to 35 microns each. Final colours to match existing steel structure;
 - The standard of preparation of the steelwork and the thicknesses of the different coats of paint shall be verified according to SABS 1200 HC Clause 7 and the results submitted to the engineer for approval.

ECA CONSULTING MBOMBELA OFFICE:
23 Mariot Street | Mbombela | Mpumalanga | RSA
mbombela@ecaconsult.co.za
Tel: +27 (0)13 752 2357
www.ecaconsult.co.za

Civil and Structural Engineers

Company Reg.: 2004/019299/07
ISO Registered 9001:2015

OTHER OFFICES:
VRYHEID | GAUTENG | PIETERMARITZBURG | LADYSMITH

Approved by Engineer: _____ Signature: _____
Name: J.W. Janse v Rensburg
Designation: PrTechEng
ECSA Reg.: 201070143 Date: 7 May 2025

Project Funder/ Client:



NKOMAZI LOCAL MUNICIPALITY

Approved by Client: _____
Name: _____
Signature: _____ Date: _____

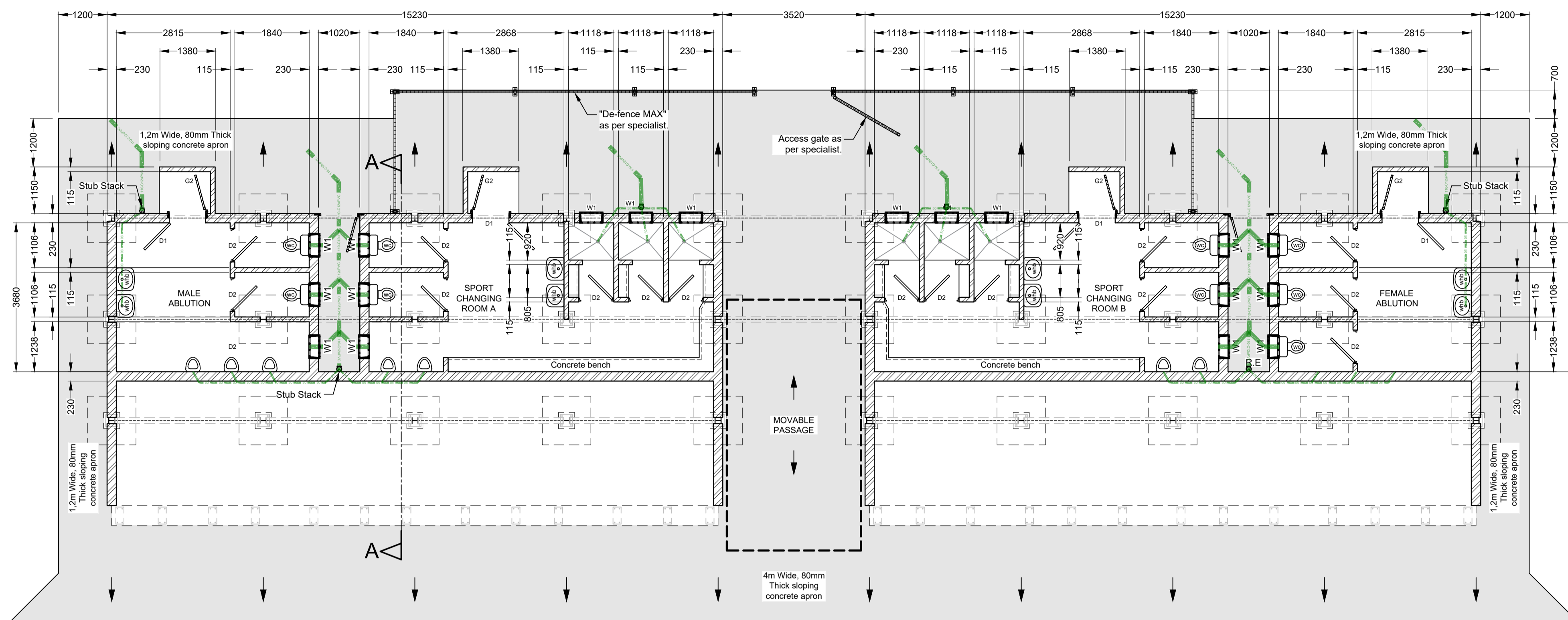
Project:

SCHOEMANSDAL SPORTS FACILITY

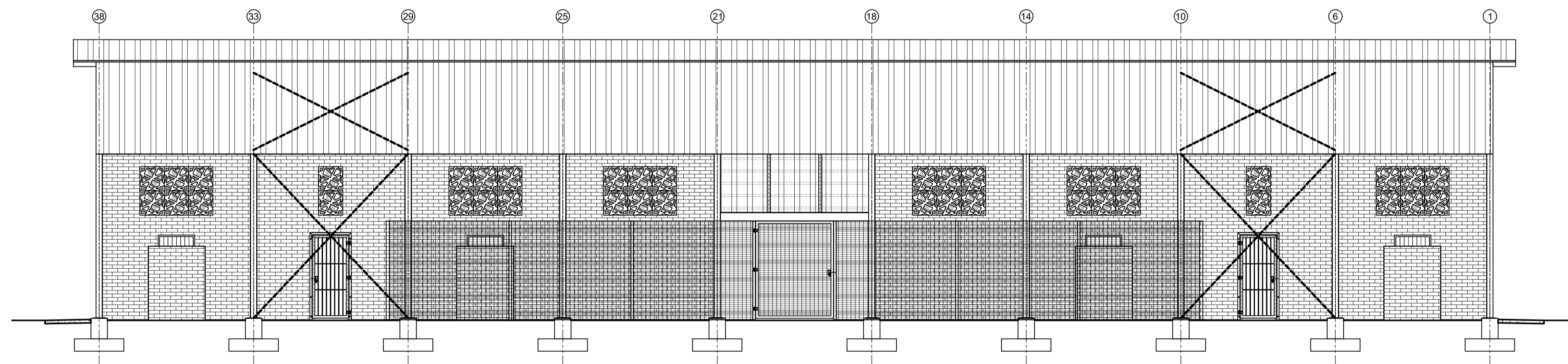
Drawing description:

NEW EASTERN PAVILION STRUCTURE PLAN, SECTION & ELEVATION

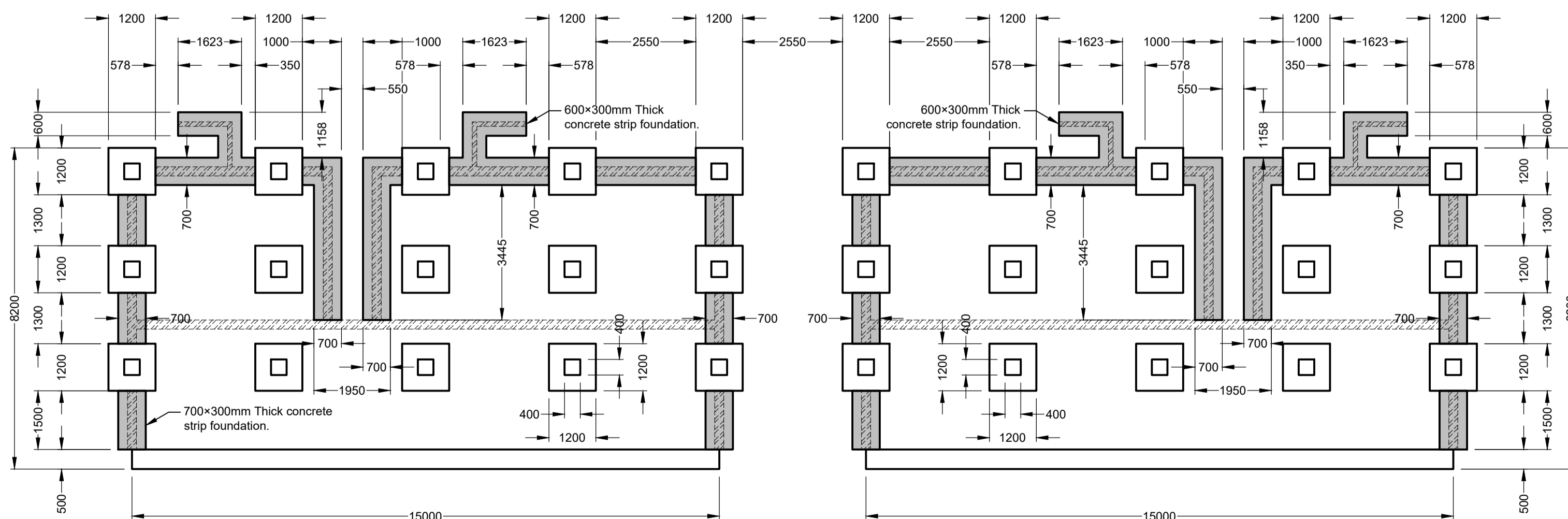
Drawn: G.D Bezuienhout Checked: J. J v Rensburg
Date: 23 Sep 2024 Date: 02 Dec 2024
Scale/s: As Shown
Drawing number: 23-017-M-09-02 Rev.: 00



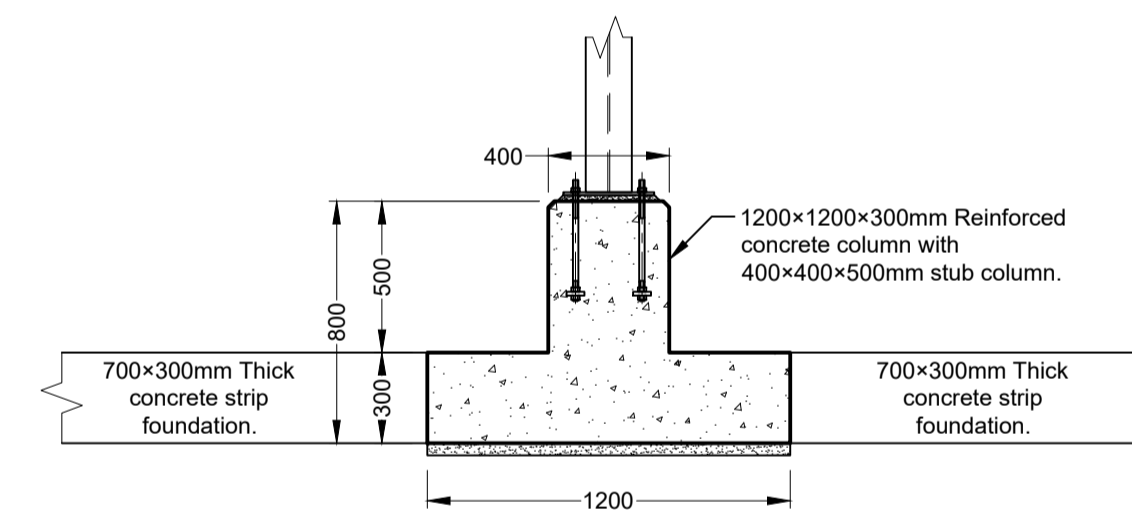
FLOOR LAYOUT PLAN
Scale 1:75



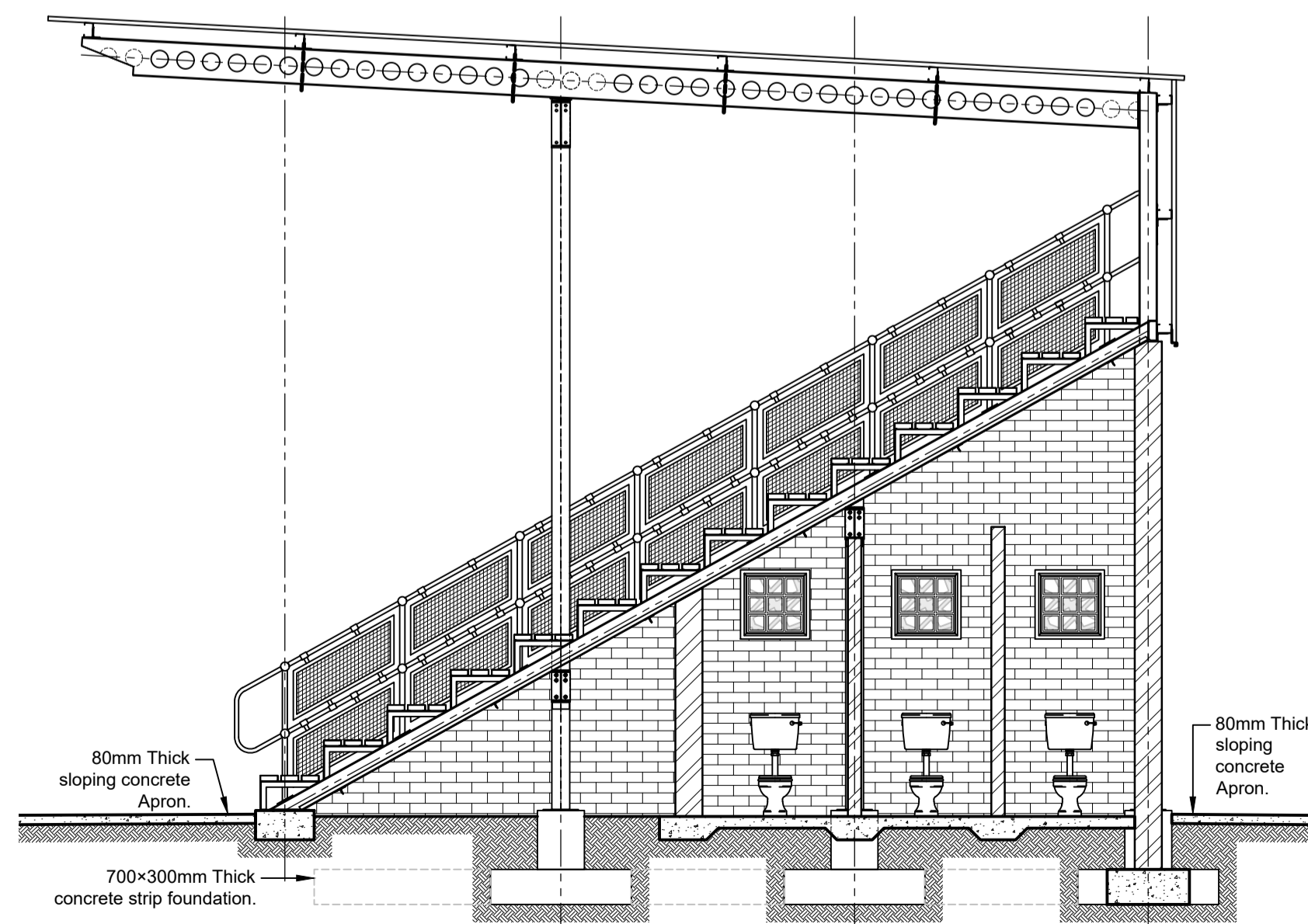
REAR ELEVATION
Scale 1:75



FOUNDATION PLAN
Scale 1:100



COLUMN DETAIL
Scale 1:25



SECTION A-A
Scale 1:50

Do not scale off drawing - ASK THE ENGINEER IF UNCERTAIN!
Any discrepancies between any drawings must be clarified before work is continued on site.

FOR TENDER PURPOSES ONLY

AMENDMENTS		
Rev.	Date	Description

ECA CONSULTING MBOMBELA OFFICE:
23 Mariot Street | Mbombela | Mpumalanga | RSA
mbombela@ecaconsult.co.za
Tel: +27 (0)15 752 2357
www.ecaconsult.co.za
Civil and Structural Engineers
OTHER OFFICES:
VRYHEID | GAUTENG | PIETERMARITZBURG | LADYSMITH
Company Reg.: 2004/019299/07
ISO Registered 9001:2015

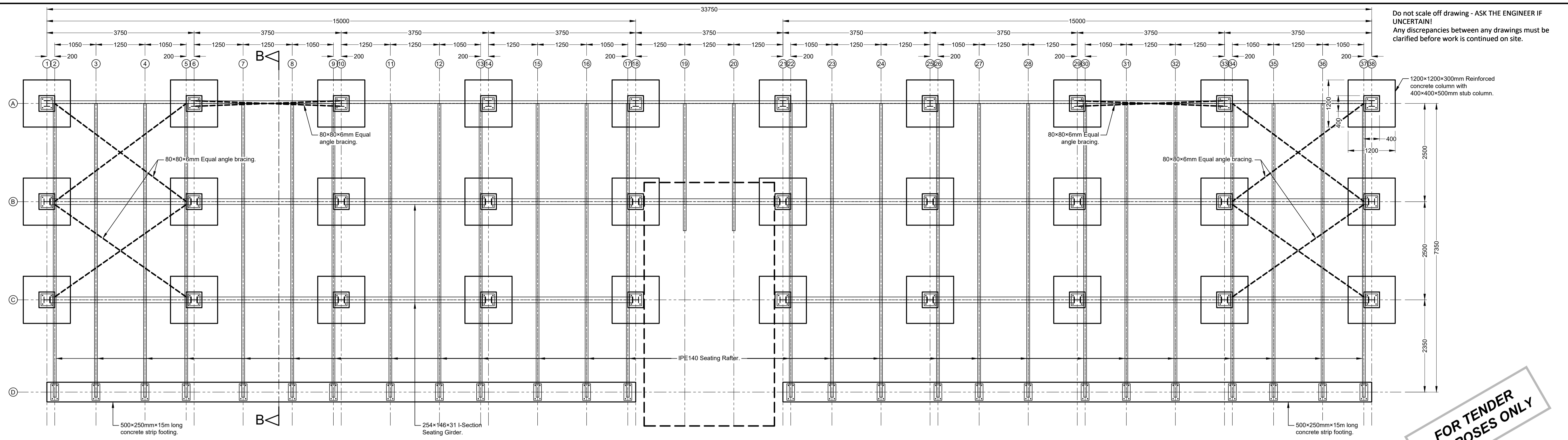
Approved by Engineer:
Name: J.W. Janse v Rensburg
Designation: PrTechEng
ECSA Reg.: 201070143
Date: 9 Dec 2024
Signature: _____

Project Funder/ Client:
 **NKOMAZI LOCAL MUNICIPALITY**
Approved by Client:
Name: _____
Signature: _____ Date: _____

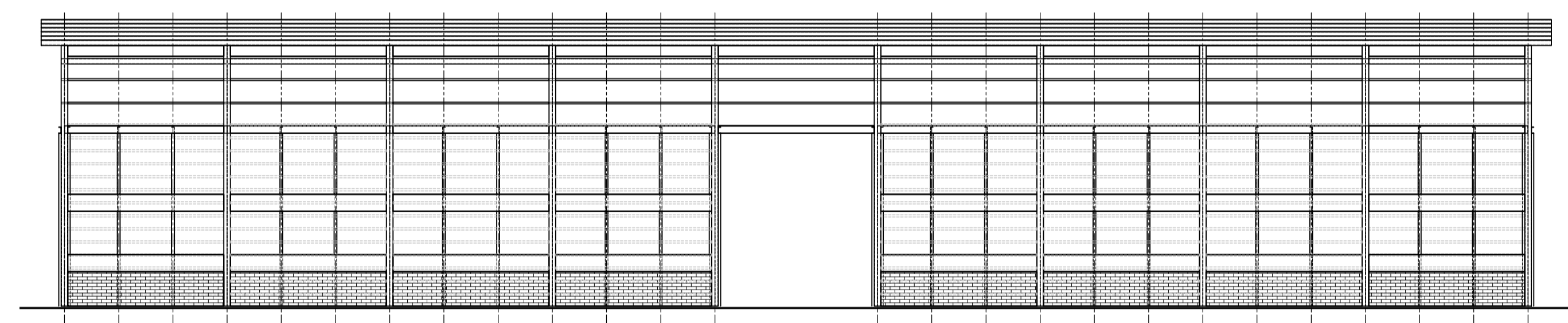
Project:
SCHOEMANSDAL SPORTS FACILITY

Drawing description:
NEW WESTERN PAVILION PLANS SECTIONS & ELEVATIONS

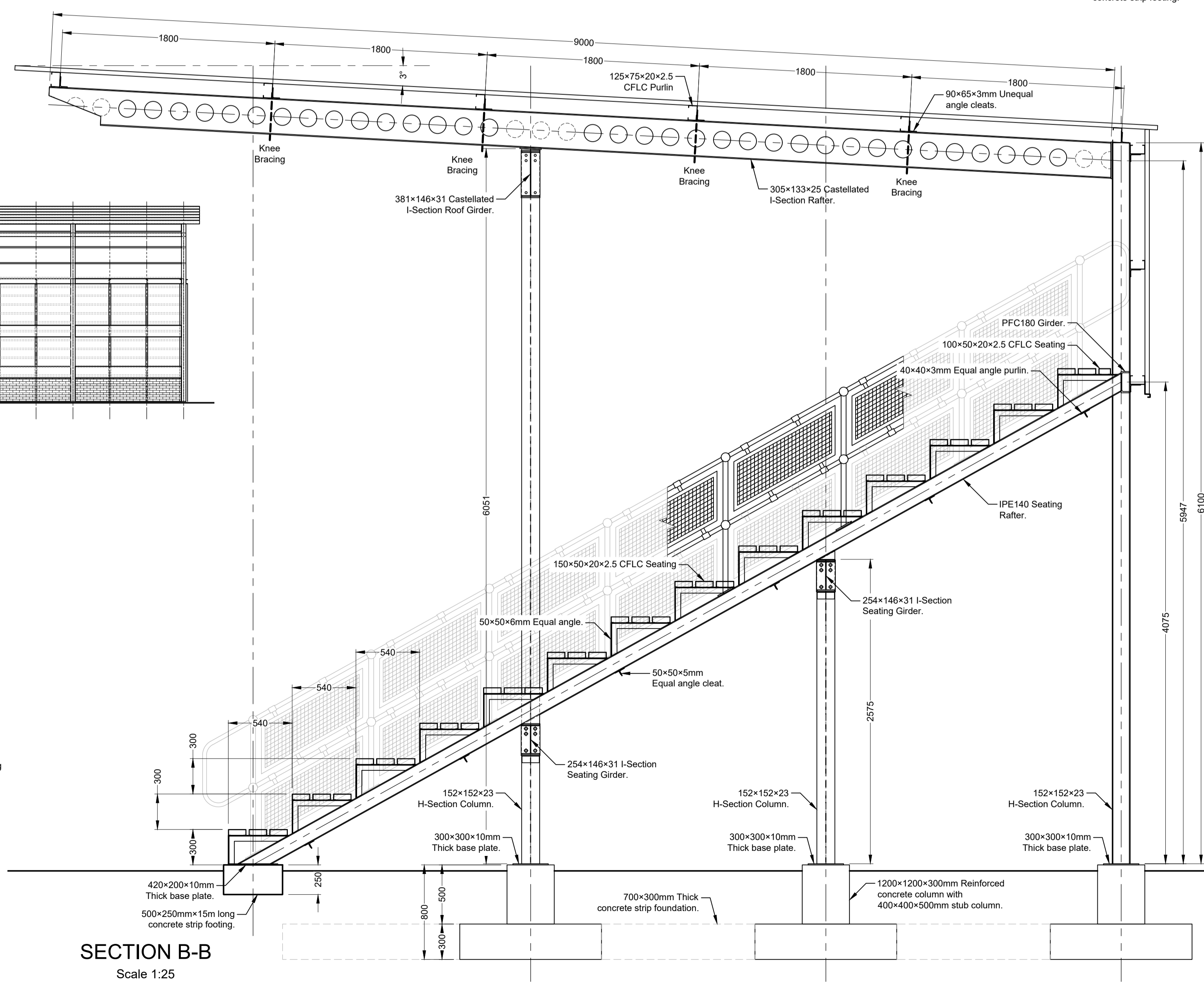
Drawn: G.D Bezuienhout	Checked: J. J v Rensburg
Date: 23 Sep 2024	Date: 02 Dec 2024
Scale/s: As Shown	
Drawing number: 23-017-M-10-01	Rev.: 00



SEATING LAYOUT PLAN
Scale 1:50



REAR ELEVATION
Scale 1:100



SECTION B-B
Scale 1:25

Do not scale off drawing - ASK THE ENGINEER IF UNCERTAIN!
Any discrepancies between any drawings must be clarified before work is continued on site.

FOR TENDER PURPOSES ONLY

AMENDMENTS		
Rev.	Date	Description

ECA CONSULTING MBOMBELA OFFICE:
29 Mariot Street | Mbombela | Mpumalanga | RSA
mbombela@ecaconsult.co.za
Tel: +27 (0)13 752 2357
www.ecaconsult.co.za
OTHER OFFICES:
VRYHEID | GAUTENG | PIETERMARITZBURG | LADYSMITH

Approved by Engineer: _____ Signature: _____
Name: J.W. Janse v Rensburg
Designation: PrTechEng
ECSA Reg.: 201070143 Date: 9 Dec 2024

Project Funder/ Client:
 NKOMAZI LOCAL MUNICIPALITY

Approved by Client: _____
Name: _____
Signature: _____ Date: _____

Project:
SCHOEMANSDAL SPORTS FACILITY

Drawing description:
NEW WESTERN PAVILION STRUCTURAL PLAN & SECTIONS

Drawn: G.D Bezuienhout Checked: J. J v Rensburg
Date: 23 Sep 2024 Date: 02 Dec 2024

Scales: As Shown
Drawing number: 23-017-M-10-02 Rev.: 00

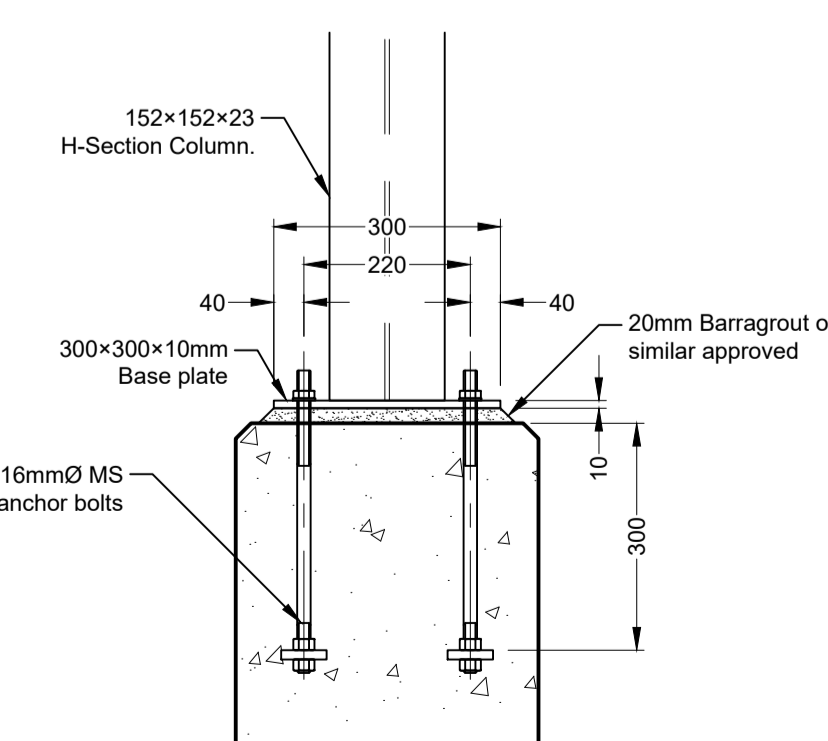
- GENERAL NOTES**
- All work to ensure compliance with the provisions of the OSH Act 85 of 1993 and Regulations R1010 as published in Government Gazette on 18 July 2003
 - All workmanship and materials to comply with the latest edition of the National Building Regulations (NBR) and SANS 10400, National Building Regulations
 - The contractor will take the required action to notify the inspector / engineer on achieving set milestones timeously, in order to conduct the required inspections without delaying the project.
 - The contractor must obtain written approval for approved inspections and any deviations.
 - Do not scale from drawings, rather Ask! Any discrepancies in measurement or material specifications are to be reported to the project manager and / or project engineer prior to continuation of work.

- CONSTRUCTION NOTES**
- STRUCTURAL STEELWORK**
 - All structural Steel work shall comply with SABS 1200 H, using steel to SABS 1431 Grade 350W.
 - The steel fabricator shall use the engineer's drawings as a guideline and specification and in addition prepare his own shop manufacturing drawings. These drawings must be pre-approved by the design engineer.
 - Finish all structural steelwork shall be performed by remove slag and weld spatter, grind welds to smooth profile, radius sharp edges and paint. Apply Plascoatff 3000 - Two pack epoxy coating.

- PAINT SPECS**
- To ensure the longevity of these exposed structural elements all identified surface rust to new and existing elements must be treated in the following manner:
- All paint shall be applied strictly in accordance with SABS 1200 HC-1988 and the manufacturer's specifications;
 - Repair of damaged paint and site painting shall be in accordance with SABS 1200 HC, 1988 and SABS 0120 Part 3 Section HC;
 - The steelwork shall be cleaned by means of mechanical wire brush to remove all slag, dirt, rust etc, after all welding has been completed. If the steel is contaminated by oil, it shall be cleaned by means of a suitable detergent before wire brushing;
 - The first coat of zinc chromate primer (to SABS 679) shall be applied to a thickness of 30 microns. A second coat of general-purpose undercoat Type II (To SABS 681) shall be applied to a thickness of 30 microns. Two coats high gloss enamel to SABS 0120 shall be applied to 35 microns each. Final colours to match existing steel structure;
 - The standard of preparation of the steelwork and the thicknesses of the different coats of paint shall be verified according to SABS 1200 HC Clause 7 and the results submitted to the engineer for approval.

All exposed concrete edges to be chamfered 20mm x 20mm. Except if specified differently.

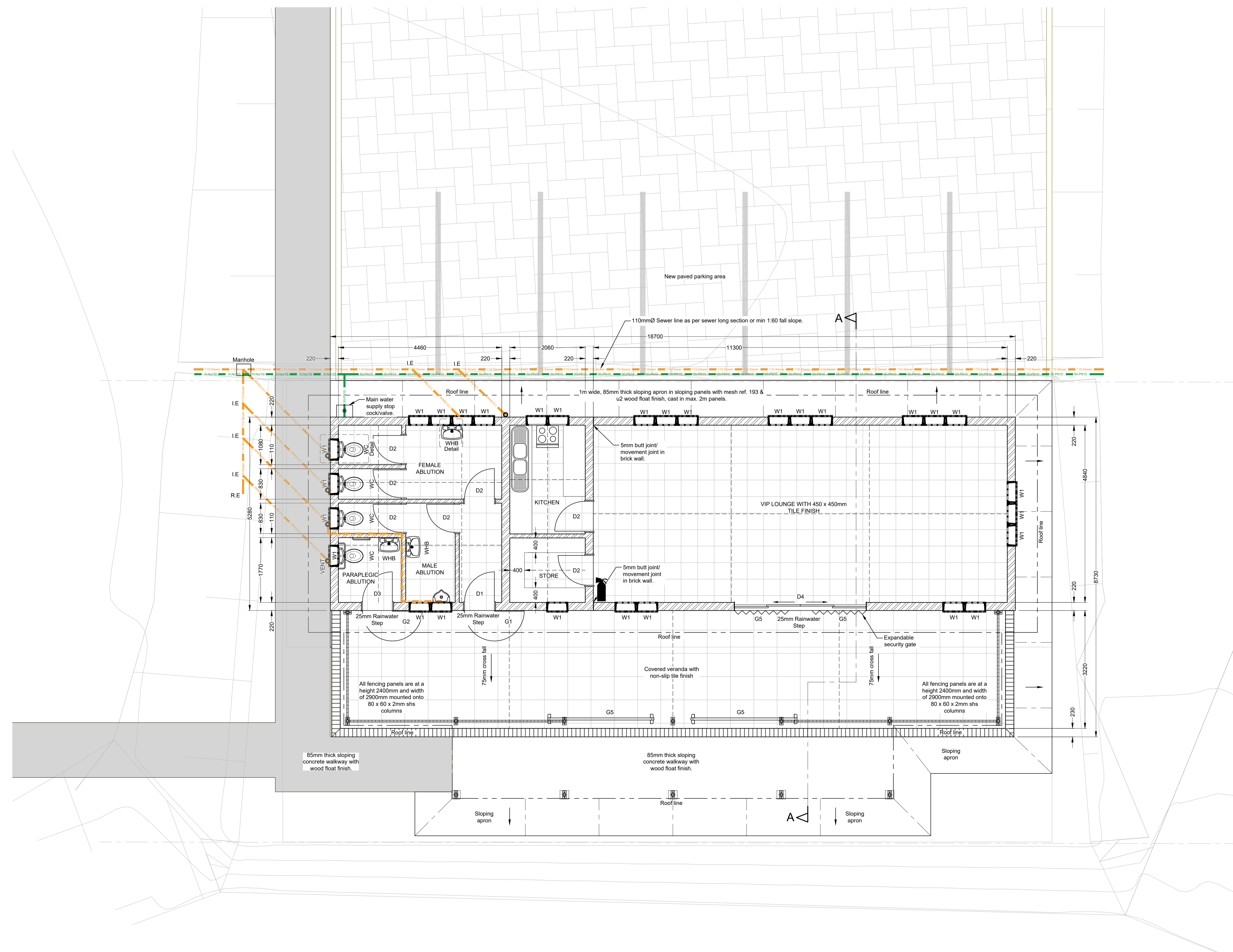
CHAMFER DETAIL
Scale 1:5



ANCHOR BOLTS DETAIL
Scale 1:10

Do not scale off drawing - ASK THE ENGINEER IF UNCERTAIN!
Any discrepancies between any drawings must be clarified before work is continued on site.

FOR TENDER PURPOSES ONLY



FLOOR PLAN
Scale 1:50

READ THIS DRAWING IN CONJUNCTION WITH

Drawing Number	Drawing Description

AMENDMENTS

Rev.	Date	Description	Initials

ECA CONSULTING MBOMBELA
OFFICE:
 29 Mariot Street |
 Mbombela | Mpumalanga |
 RSA
 mbombela@ecaconsult.co.za
 Tel: +27 (0)13 752 2357
 www.ecaconsult.co.za
Civil and Structural Engineers
OTHER OFFICES:
 VRYHEID | GAUTENG |
 PIETERMARITZBURG |
 LADYSMITH
 Company Reg.: 2004/019299/07
 ISO Registered 9001:2015

Approved by Engineer: _____ Signature: _____
 Name: J.W. Janse v Rensburg
 Designation: PrTechEng
 ECSA Reg.: 201070143 Date: 7 May 2025

Project Funder/ Client:

NKOMAZI LOCAL MUNICIPALITY

Approved by Client:
 Name: _____
 Signature: _____ Date: _____

Project:
SCHOEMANSDAL SPORTS FACILITY

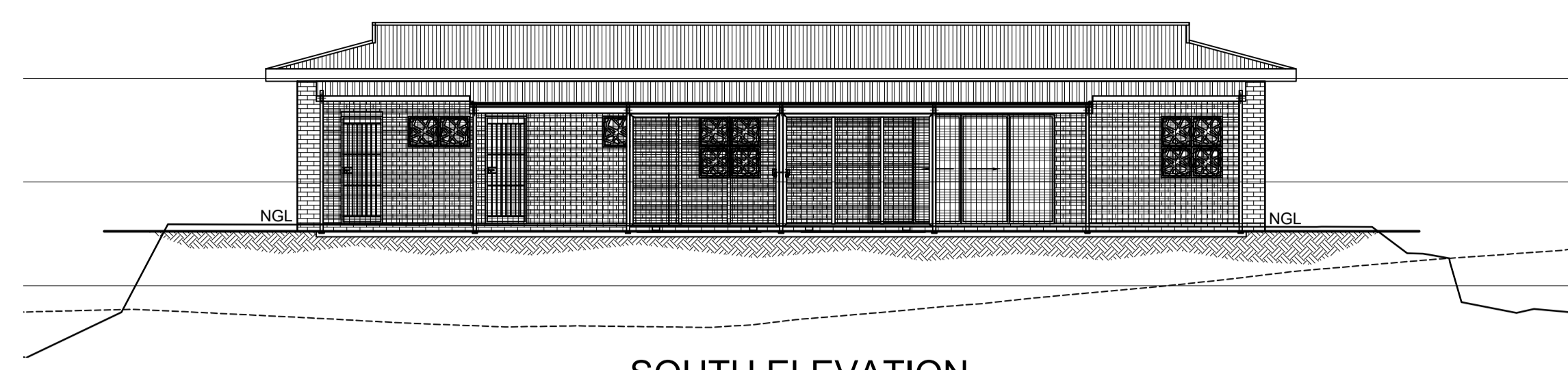
Drawing description:
NEW CLUBHOUSE FLOOR PLAN

Drawn: P.L Butelezi Checked: J. J v Rensburg
 Date: 23 Sep 2024 Date: 02 Dec 2024

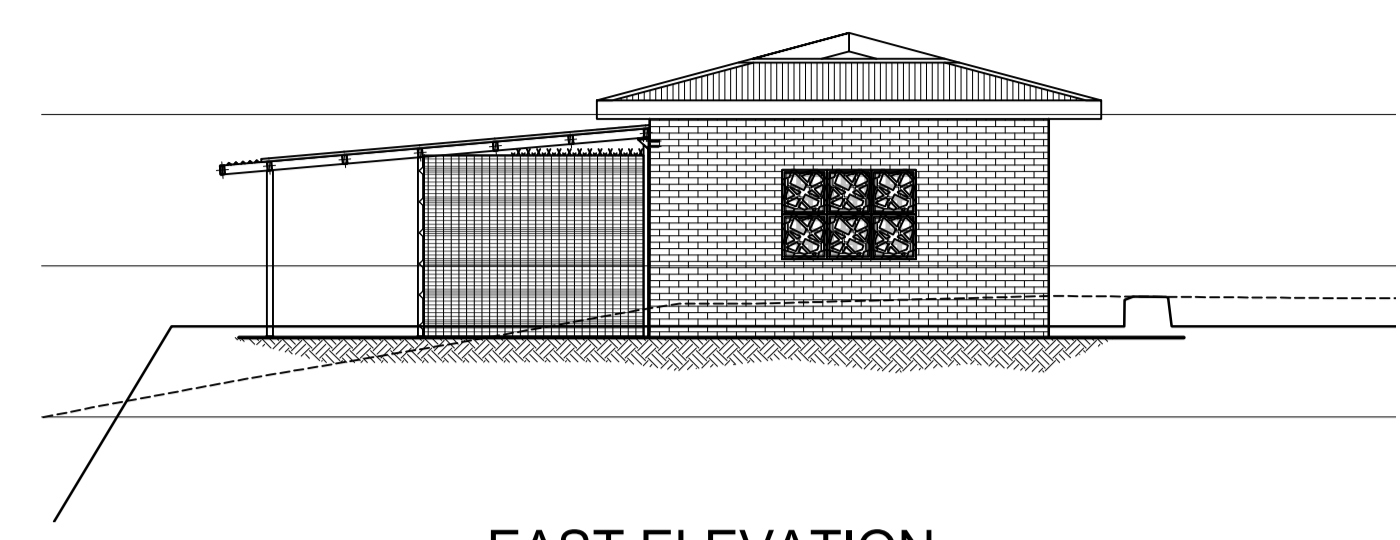
Scale/s: As Shown

Drawing number: 23-017-M-11-01 Rev.: 00

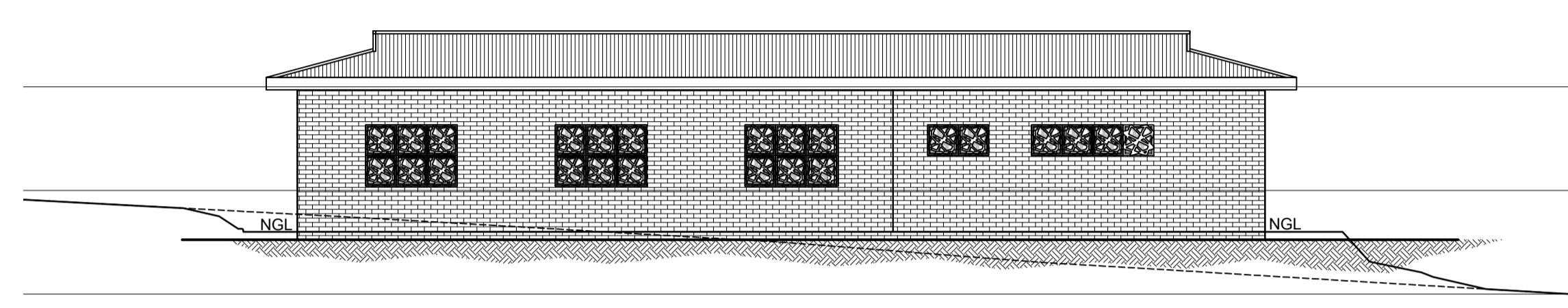
Do not scale off drawing - ASK THE ENGINEER IF UNCERTAIN!
Any discrepancies between any drawings must be clarified before work is continued on site.



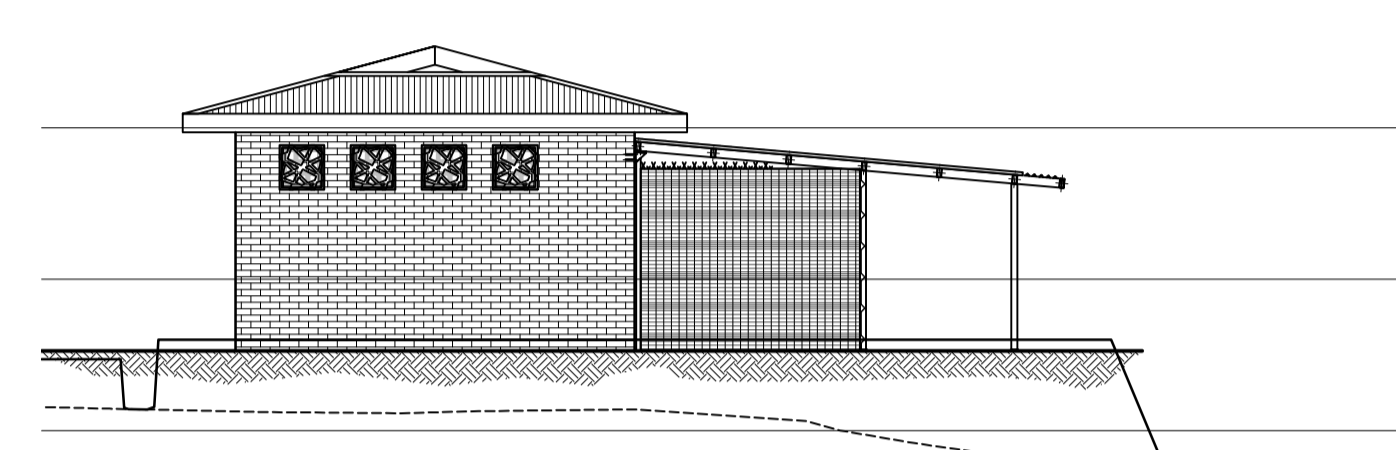
SOUTH ELEVATION
Scale 1:100



EAST ELEVATION
Scale 1:100



NORTH ELEVATION
Scale 1:100



WEST ELEVATION
Scale 1:100

FOR TENDER PURPOSES ONLY

READ THIS DRAWING IN CONJUNCTION WITH

Drawing Number	Drawing Description

AMENDMENTS

Rev.	Date	Description	Initials

ECA CONSULTING MBOMBELA
OFFICE:
 29 Marloth Street |
 Mbombela | Mpumalanga |
 RSA
 mbombela@ecaconsult.co.za
 Tel: +27 (0)13 752 2357
 www.ecaconsult.co.za
Civil and Structural Engineers
 Company Reg.: 2004/019299/07
 ISO Registered 9001:2015
OTHER OFFICES:
 VRYHEID | GAUTENG |
 PIETERMARITZBURG |
 LADYSMITH

Approved by Engineer: _____ Signature: _____
 Name: J.W. Janse v Rensburg
 Designation: PrTechEng
 ECSA Reg.: 201070143 Date: 7 May 2025

Project Funder/ Client:

NKOMAZI LOCAL MUNICIPALITY

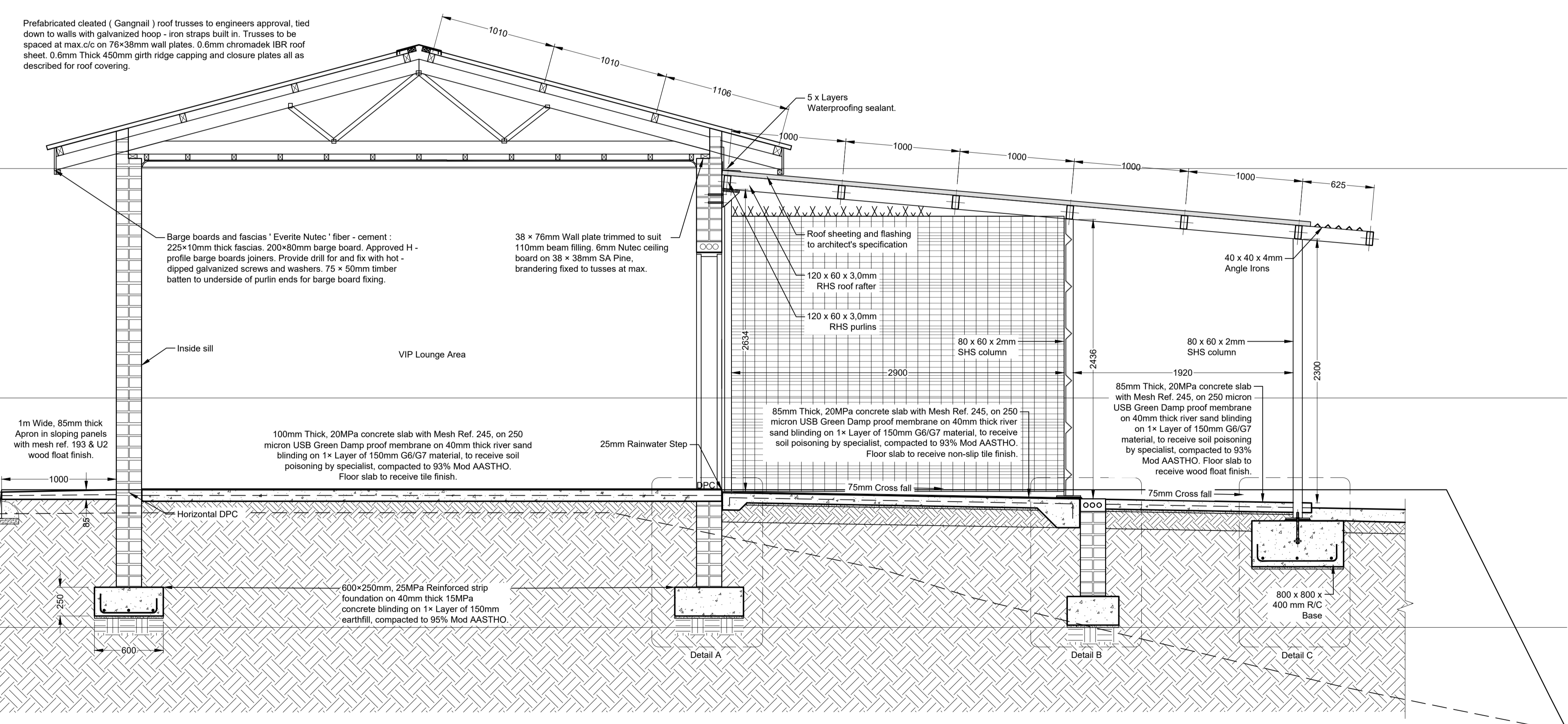
Approved by Client:
 Name: _____
 Signature: _____ Date: _____

Project:
SCHOEMANSDAL SPORTS FACILITY

Drawing description:
NEW CLUBHOUSE SECTION & ELEVATIONS

Drawn: P.L Butelezi Checked: J. J v Rensburg
 Date: 23 Sep 2024 Date: 02 Dec 2024

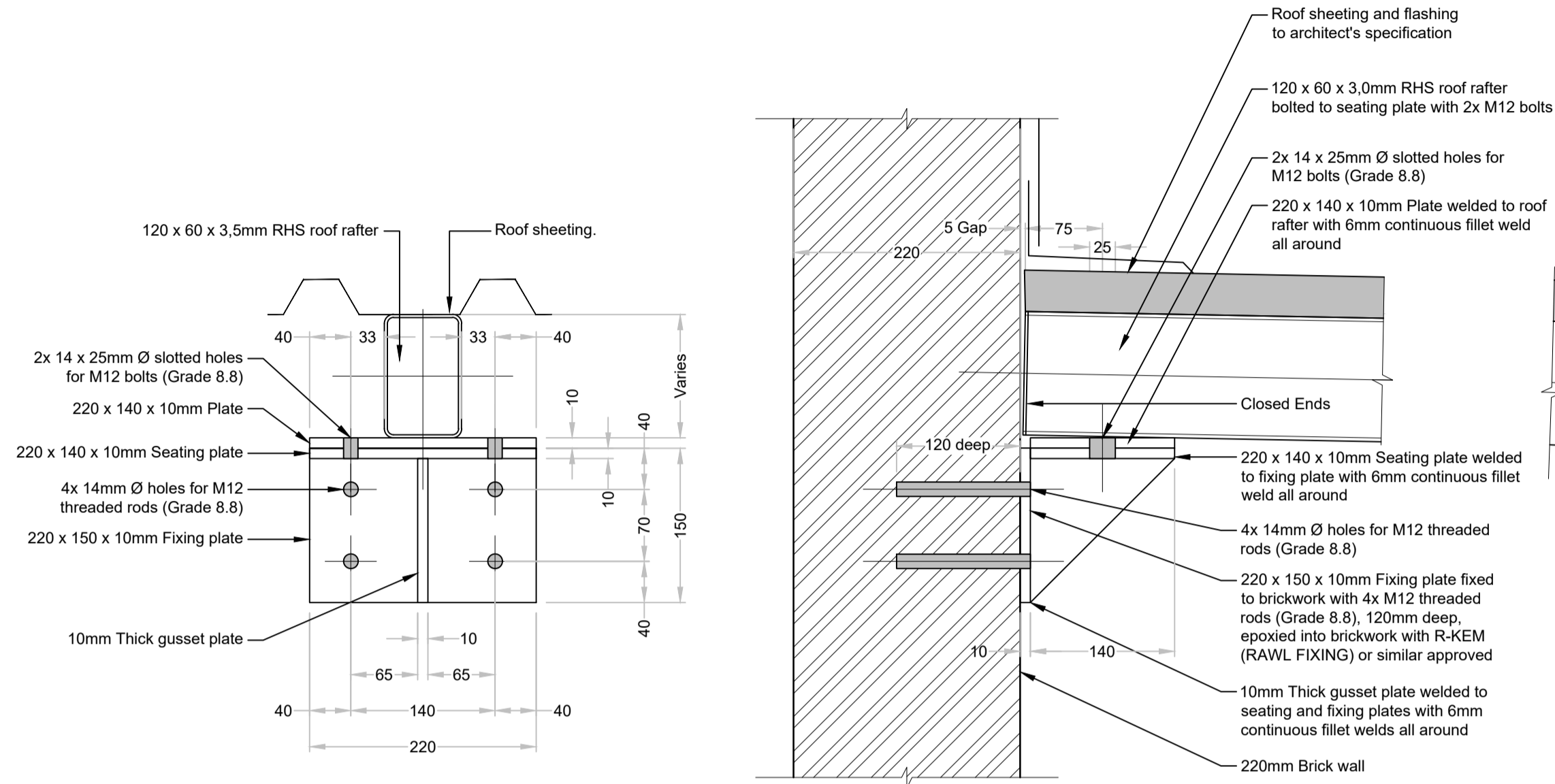
Scale/s: As Shown
 Drawing number: 23-017-M-11-02 Rev.: 00



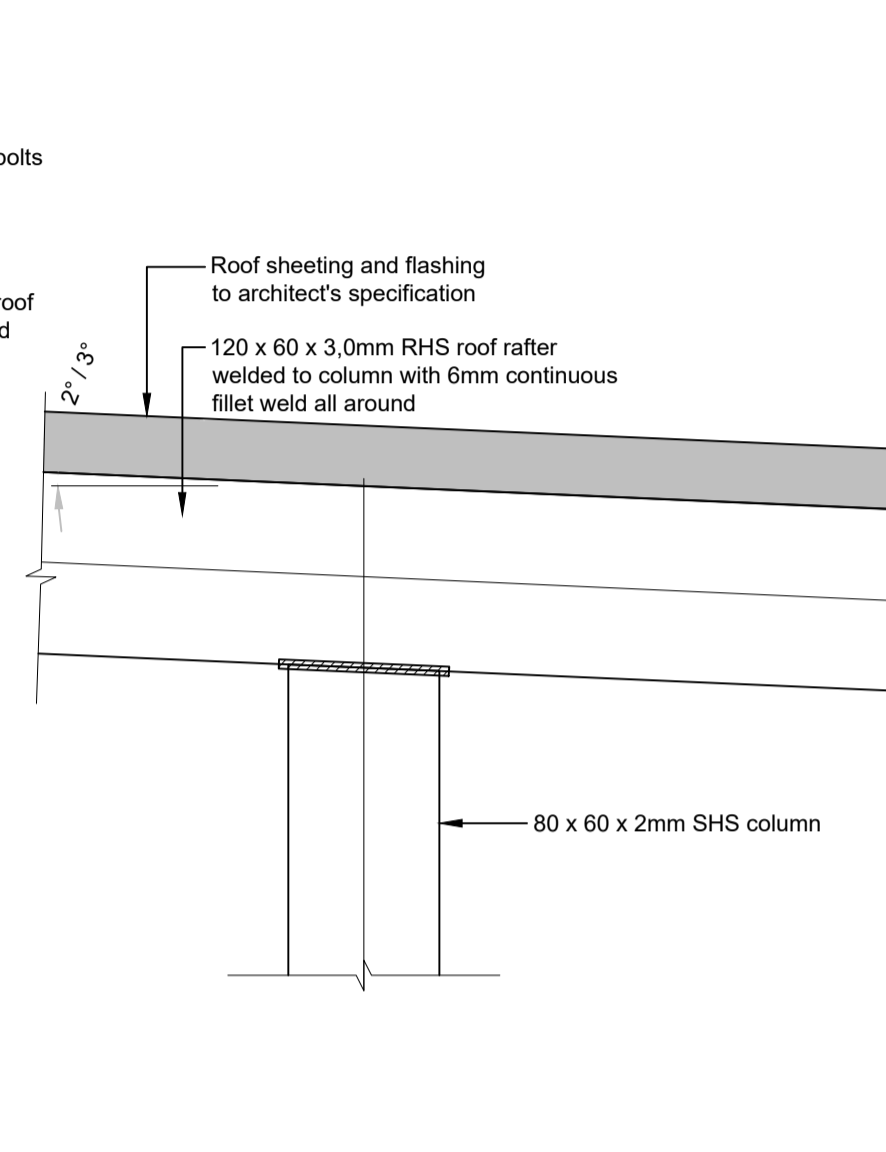
SECTION A-A
Scale 1:25

Do not scale off drawing - ASK THE ENGINEER IF UNCERTAIN!
Any discrepancies between any drawings must be clarified before work is continued on site.

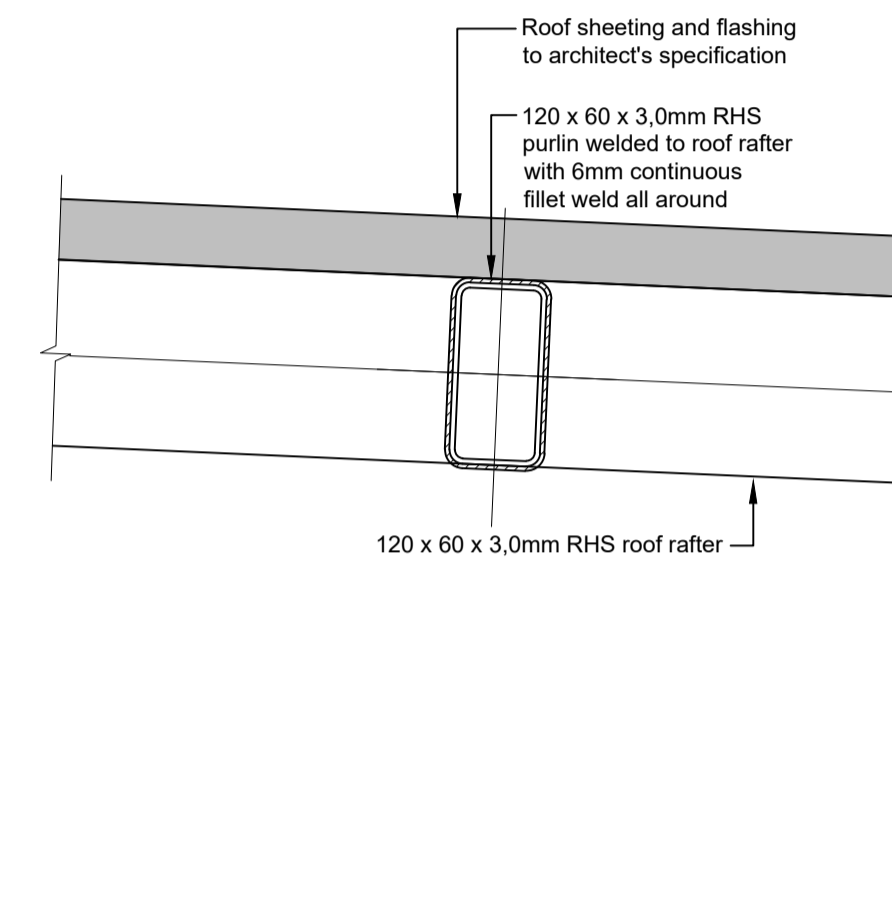
FOR TENDER PURPOSES ONLY



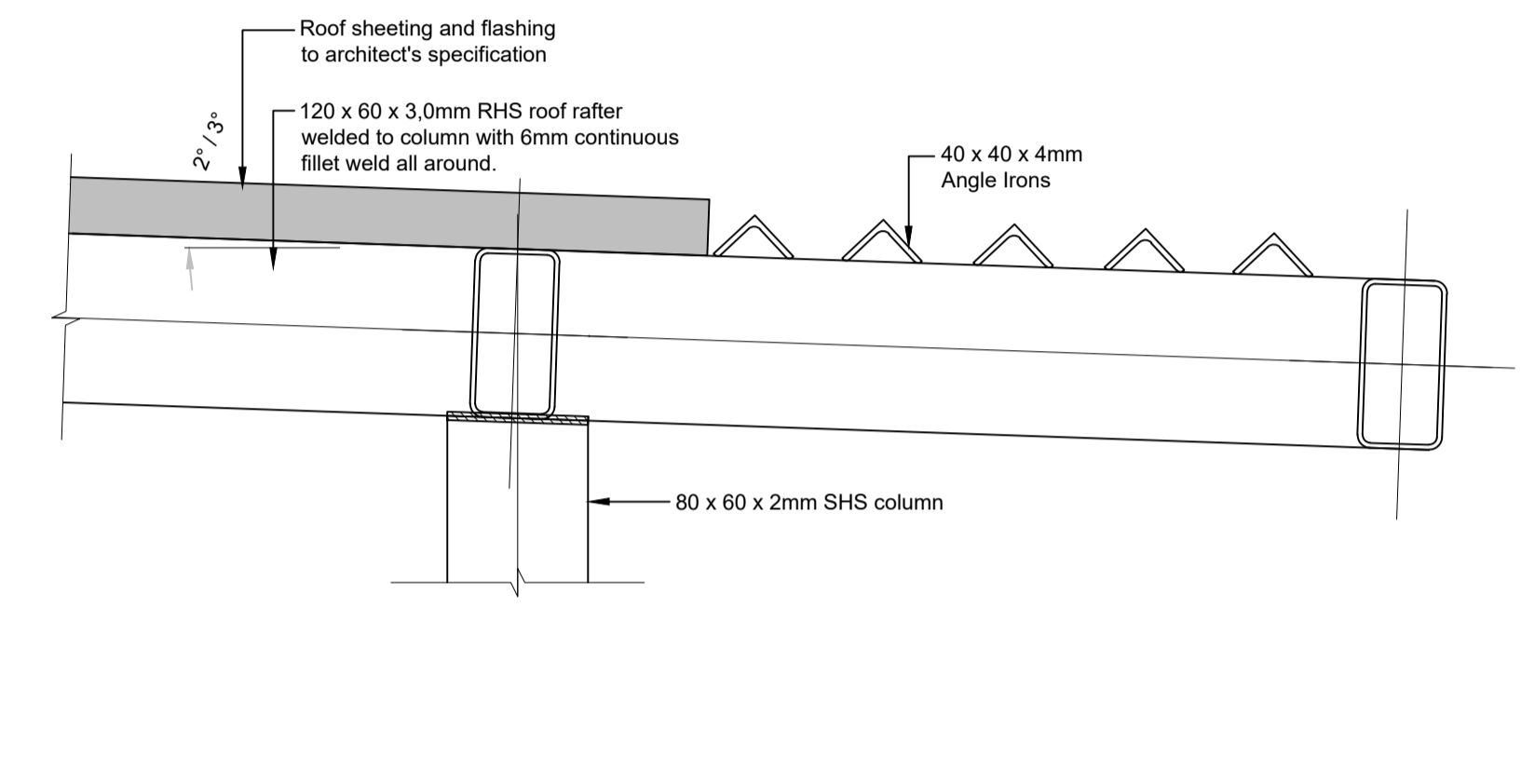
TYPICAL ROOF RAFTER TO BRICKWORK CONNECTION DETAIL
Scale 1:5



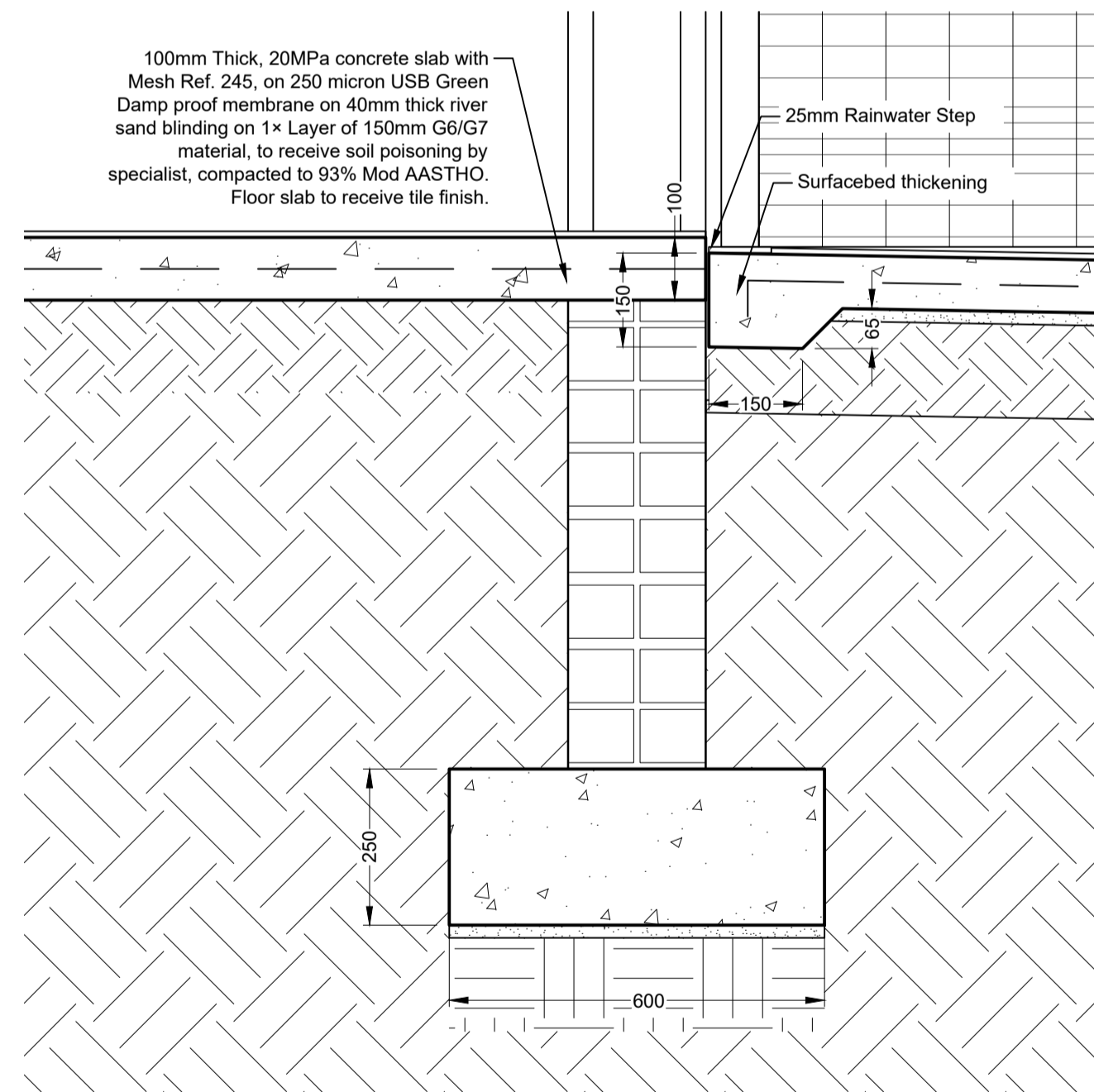
TYPICAL ROOF RAFTER TO COLUMN CONNECTION DETAIL
Scale 1:5



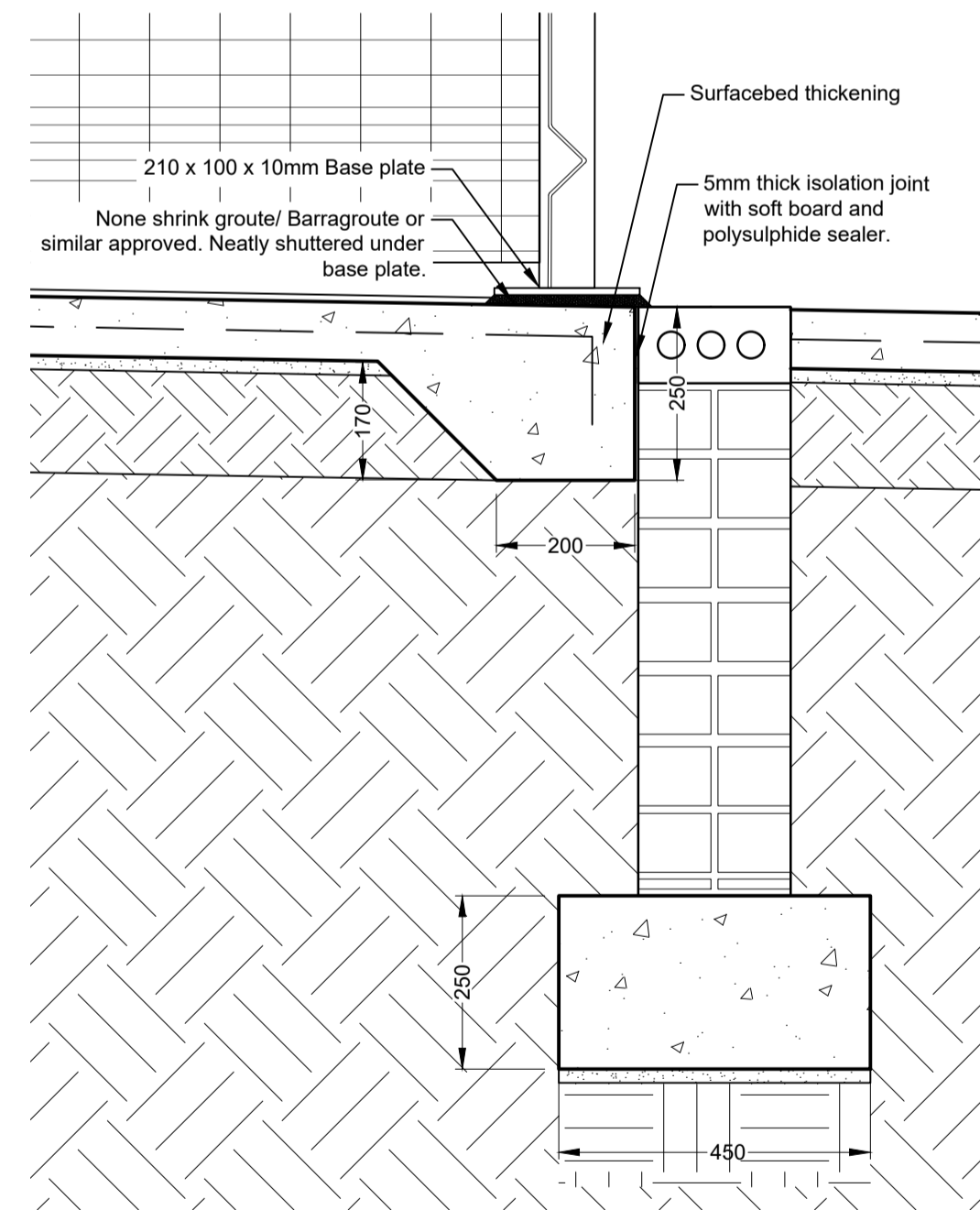
TYPICAL PURLIN TO ROOF RAFTER CONNECTION DETAIL
Scale 1:5



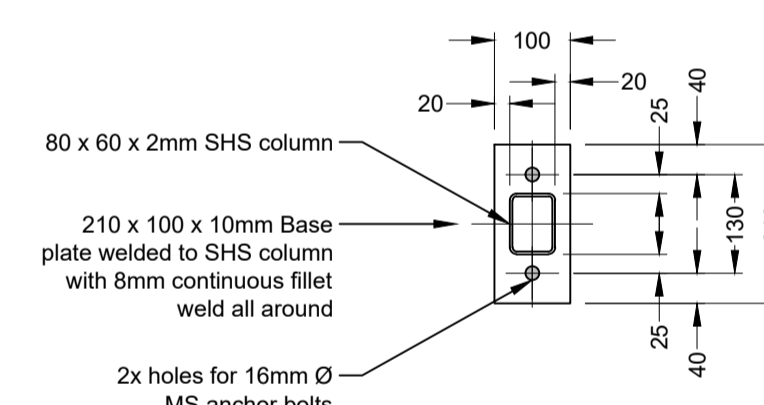
TYPICAL ROOF RAFTER TO COLUMN CONNECTION DETAIL
Scale 1:5



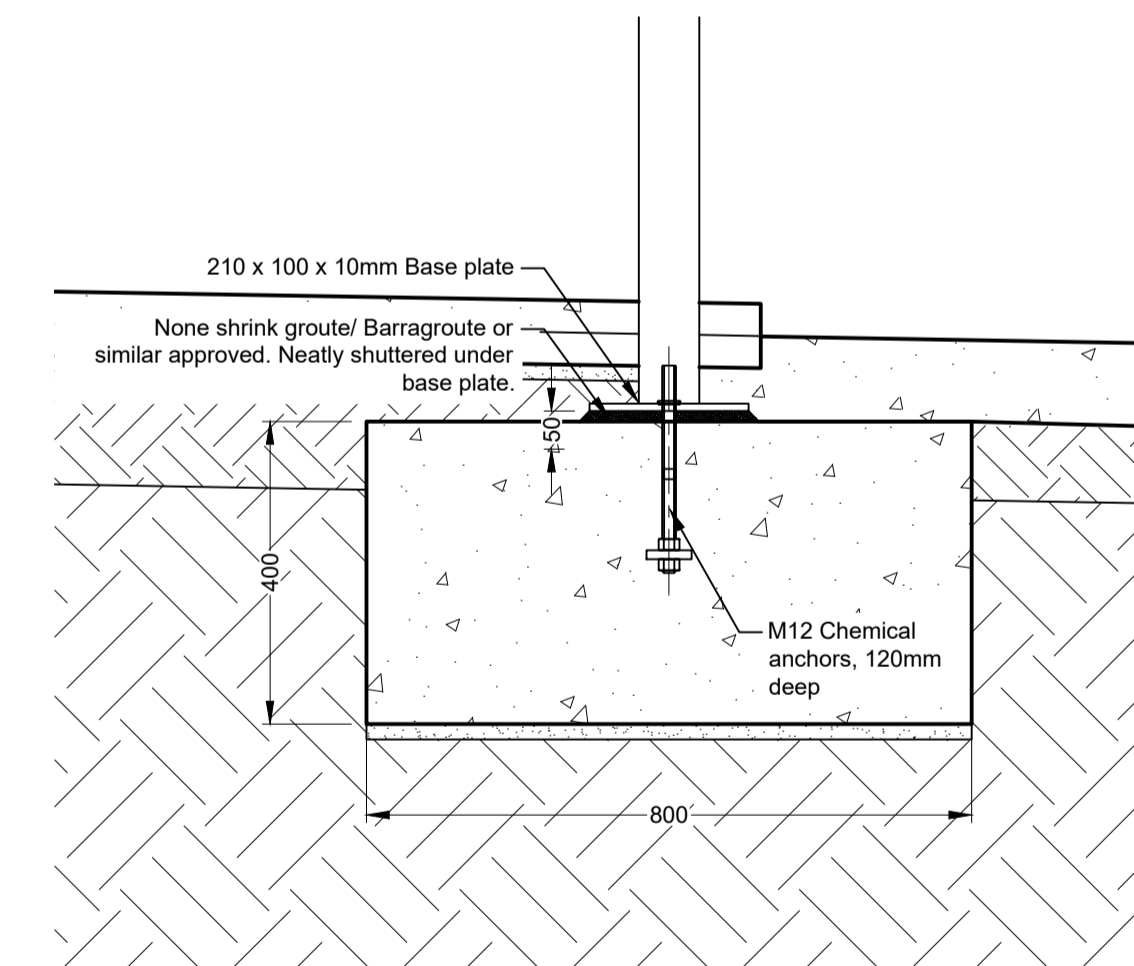
DETAIL A
Scale 1:10



DETAIL B
Scale 1:10



BASE PLATE PLAN
Scale 1:10



DETAIL C
Scale 1:10

AMENDMENTS			
Rev.	Date	Description	Initials

ECA CONSULTING MBOMBELA
OFFICE:
 29 Mariott Street | Mbombela | Mpumalanga | RSA
 mbombela@ecaconsult.co.za
 Tel: +27 (0)13 752 2357
 www.ecaconsult.co.za
Civil and Structural Engineers
OTHER OFFICES:
 VRYHEID | GAUTENG | PIETERMARITZBURG | LADYSMITH
 Company Reg.: 2004/019299/07
 ISO Registered 9001:2015

Approved by Engineer:
 Name: J.W. Janse v Rensburg
 Designation: PrTechEng
 ECSA Reg.: 201070143
 Signature: _____
 Date: 7 May 2025

Project Funder/ Client:

NKOMAZI LOCAL MUNICIPALITY

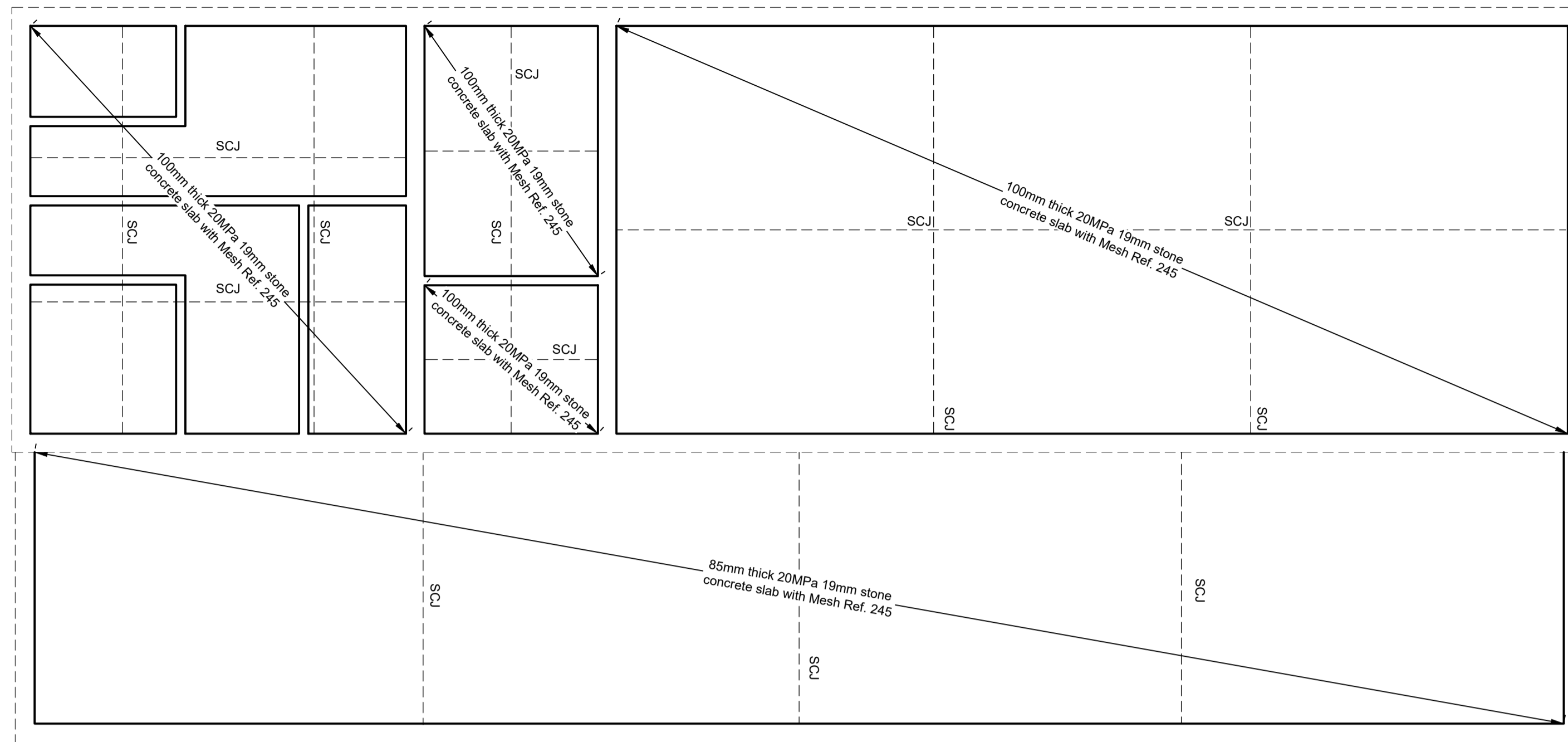
Approved by Client:
 Name: _____
 Signature: _____
 Date: _____

Project:
SCHOEMANSDAL SPORTS FACILITY

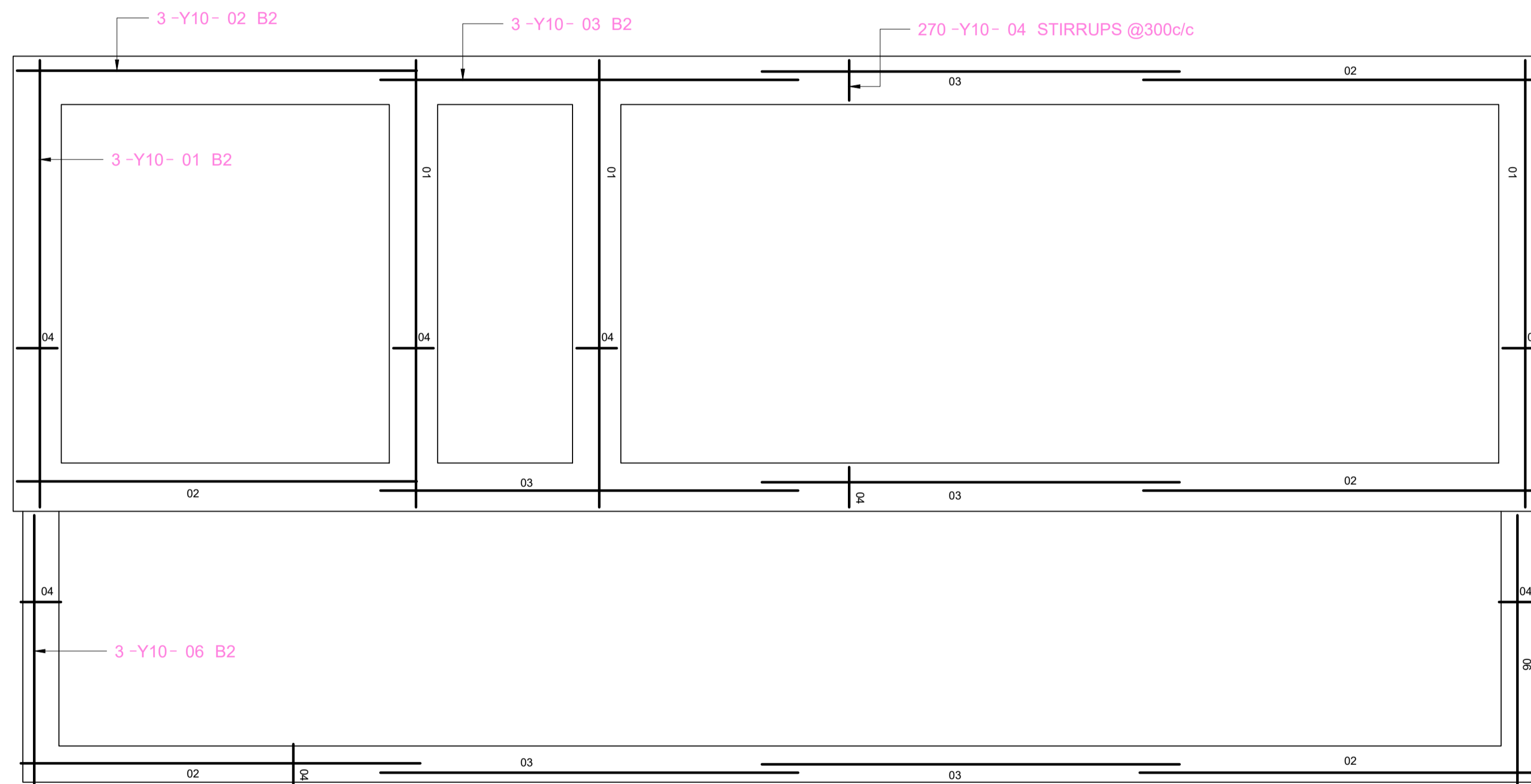
Drawing description:
NEW CLUBHOUSE STEEL STRUCTURE DETAILS

Drawn: P.L. Butelezi
 Date: 23 Sep 2024
 Checked: J. J v Rensburg
 Date: 02 Dec 2024

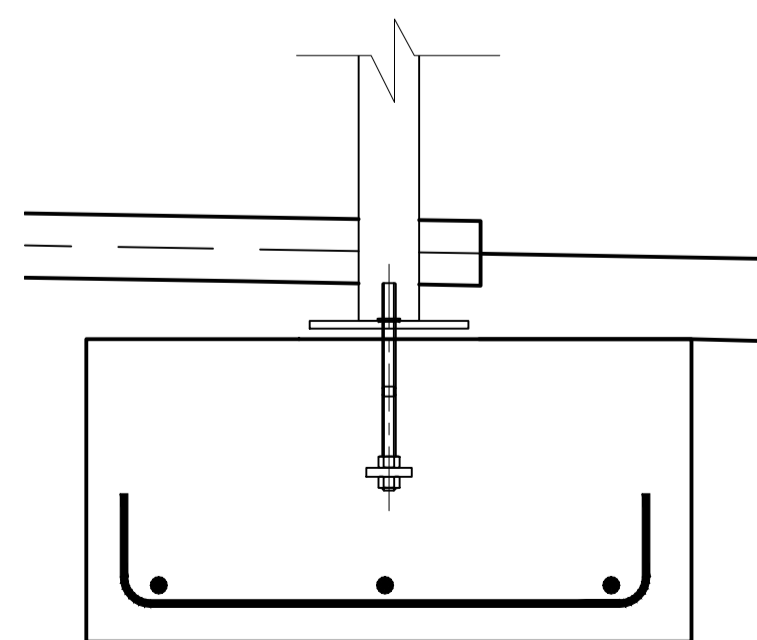
Scale/s: As Shown
 Drawing number: 23-017-M-11-03
 Rev.: 00



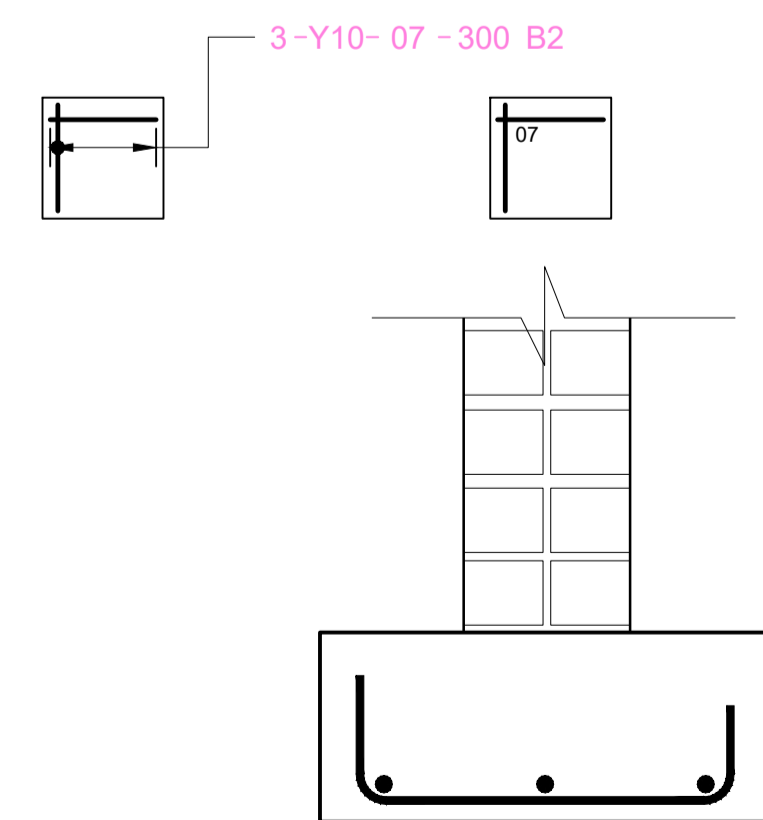
FLOOR SLAB LAYOUT
Scale 1:50



REINFORCING FOUNDATION LAYOUT
Scale 1:50

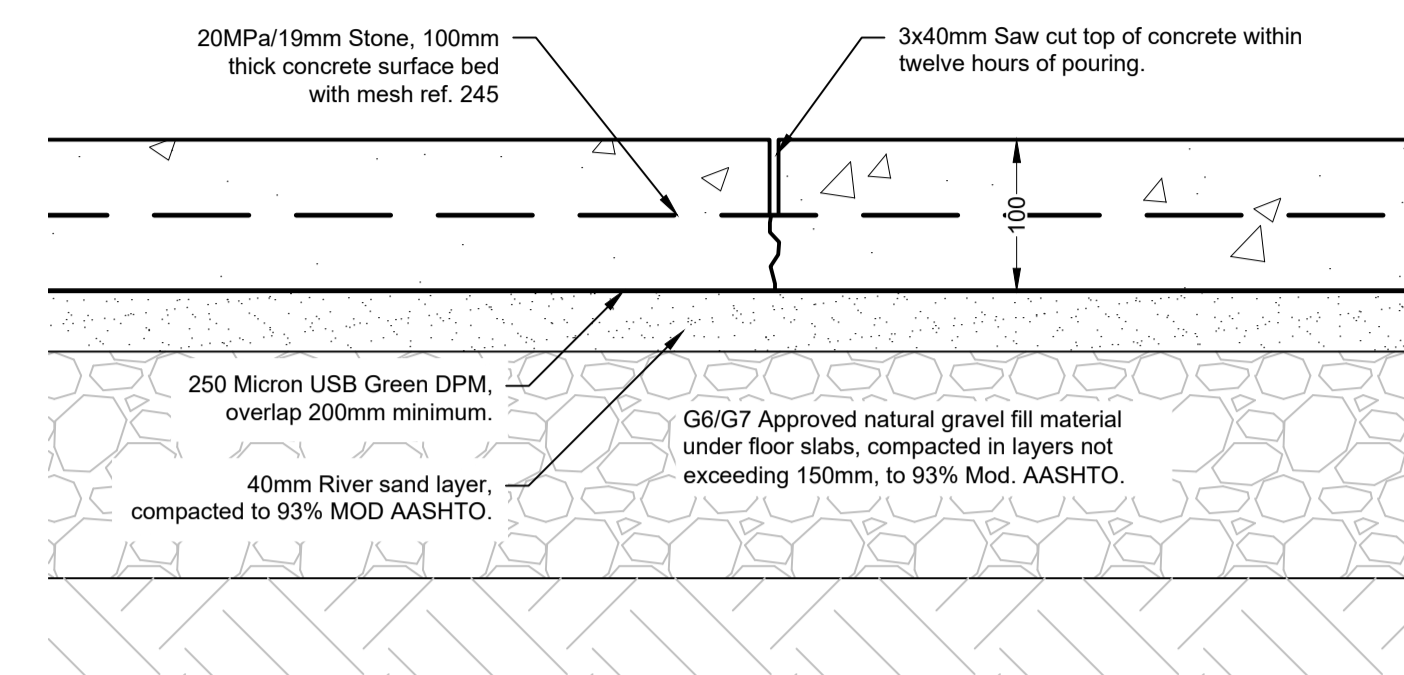


TYPICAL BASE FOUNDATION DETAILS
Scale 1:10



TYPICAL 230mm THICK MASONRY WALL FOUNDATION DETAILS
Scale 1:10

NOTE: Provide saw cut joints as per floor slab plan.



TYPICAL FLOOR SAW CUT JOINT DETAIL (SCJ)
Scale 1:5

FOUNDATION NOTES:

- All excavations to be min. 100mm deep, confirm with Engineer on site.
- Provide steps in foundation as per details and rebar schedule.
- Engineer to inspect and approve excavated foundations before blinding may be cast.
- Provide 15MPa/19mm stone, 40mm thick concrete blinding to all foundation trenches to specified invert levels, to take reinforcing and spacer-blocks.
- Blinding to be cast to ± 10 mm accuracy.
- All rebar to be inspected and approved by Engineer before concrete may be cast.
- Provide class 35MPa / 19mm stone concrete with 75-85mm slump, to all foundations.

NOTES:
Do not scale off the drawing.
If not sure -ask!

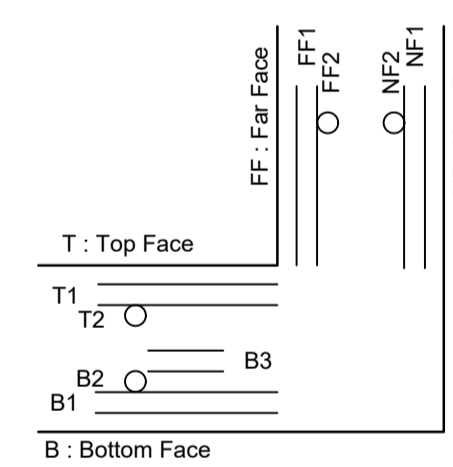
- CONCRETE GRADE:
Concrete 28 day compressive strength to be as per list below.
- Blinding 15MPa / 19mm
 - Valve chamber
 - Base 20MPa / 19mm
 - Wall 20MPa / 19mm
 - Suspended slab 20MPa / 19mm
 - Main Structure
 - Base 20MPa / 19mm
 - Wall 20MPa / 19mm
 - Floor slab 20MPa / 19mm
 - General
 - Thrust blocks 15MPa / 19mm
 - Scour pipe incased 30MPa / 19mm
 - Mass concrete 15MPa / 19mm

CONCRETE COVER

- Bases / Found cast in situ: 50mm
- Bases against formwork: 40mm
- Walls (Water Ret. Struct): 40mm
- Roof Slabs (All Struct): 30mm
- Max. deviation: (+/-) 5mm
- Cover blocks of 60x60mm must be made equal to the specific structural element, which must be properly compacted and cured.

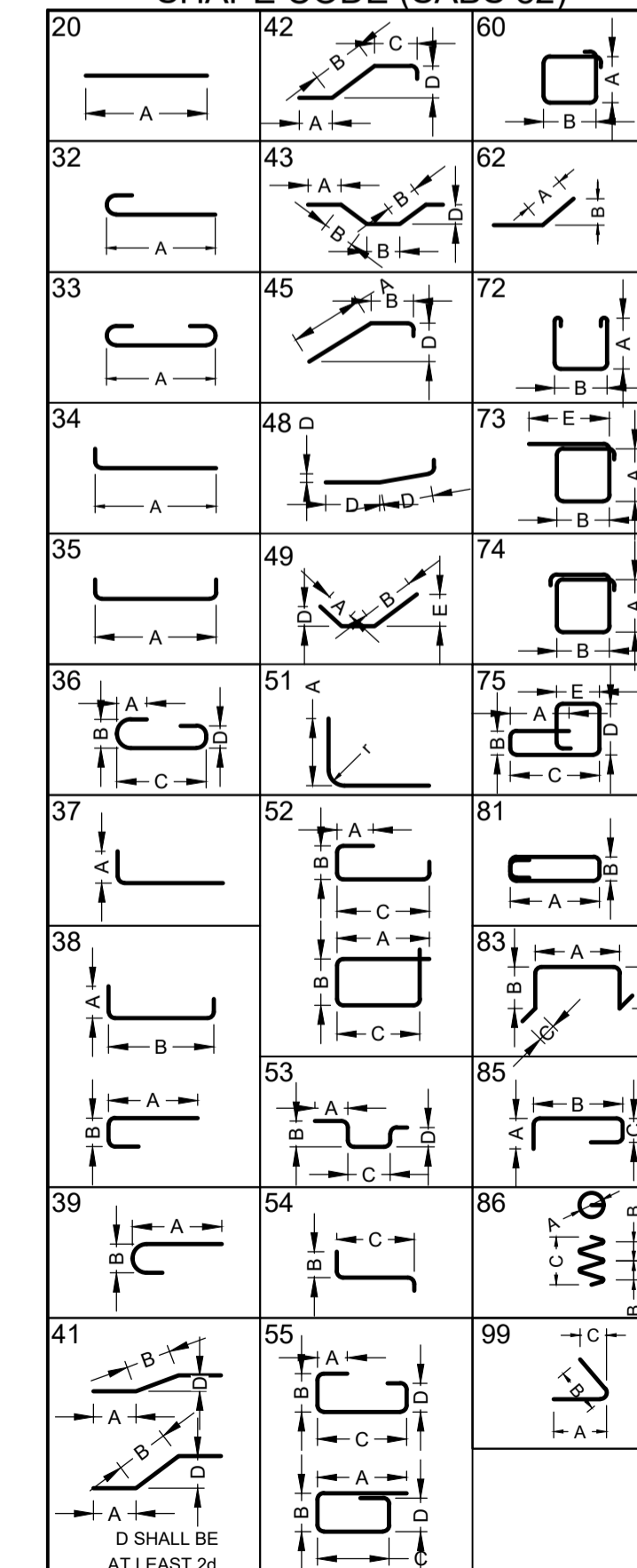
GENERAL NOTES

- Concrete must be cured for a min. period of 7 days.
- All concrete must be properly vibrated during placing.
- All inspections to be completed and written approval granted by Engineer or his representative before concrete may be cast.
- All exposed concrete edges to be chamfered 20mmx20mm. Except if specified differently.
- Imported fill below main structure to be min. Grade G6/G7 or as approved by engineer.
- All steelwork must be thoroughly cleaned and hot dipped galvanised as per specification to SABS 763.
- Concrete Strength shall be as specified in each drawing.
- Reinforcing shall be maintained in position by means of approved spacers during placing.
- Provide saw cut joints to all concrete surface beds within 24 hours of casting.
- All concrete surface beds to be cured applying curing compound or keeping wet and covered for 7 days.



BAR NAMING CONVENTIONS

SHAPE CODE (SABS 82)



REINFORCING BENDING SCHEDULE								Project		Schoemansdal S.F			
Member	Bar mark	Type and size	No. of mbrs	No. of bars in each	Total no.	Length of each bar mm	Shape code	Schedule No	A mm	B mm	C mm	D mm	E/R mm
	01	Y10	4	3	12	5850	38		150	5560			
	02	Y10	6	3	18	5100	37		150				
	03	Y10	6	3	18	5200	20						
	04	Y10	1	270	270	750	38		130	500			
	06	Y10	2	3	6	3600	38		150	3350			
	07	Y10	5	6	30	950	38		150	700			
R6	R8	R10	Y10	Y12	Y16	Y20	Y25	Y32					
						313							

Do not scale off drawing - ASK THE ENGINEER IF UNCERTAIN!
Any discrepancies between any drawings must be clarified before work is continued on site.

FOR TENDER PURPOSES ONLY

AMENDMENTS

Rev.	Date	Description	Initials

ECA CONSULTING MBOMBELA OFFICE:
29 Marloth Street | Mbombela | Mpumalanga | RSA
mbombela@ecaconsult.co.za
Tel: +27 (0)13 752 2357
www.ecaconsult.co.za
OTHER OFFICES:
VRYHEID | GAUTENG | PIETERMARITZBURG | LADYSMITH
Company Reg.: 2004/019299/07
ISO Registered 9001:2015

Approved by Engineer: J.W. Janse v Rensburg
Name: J.W. Janse v Rensburg
Designation: PrTechEng
ECSA Reg.: 201070143
Date: 7 May 2025

Project Funder/ Client:
NKOMAZI LOCAL MUNICIPALITY

Approved by Client:
Name: _____
Signature: _____ Date: _____

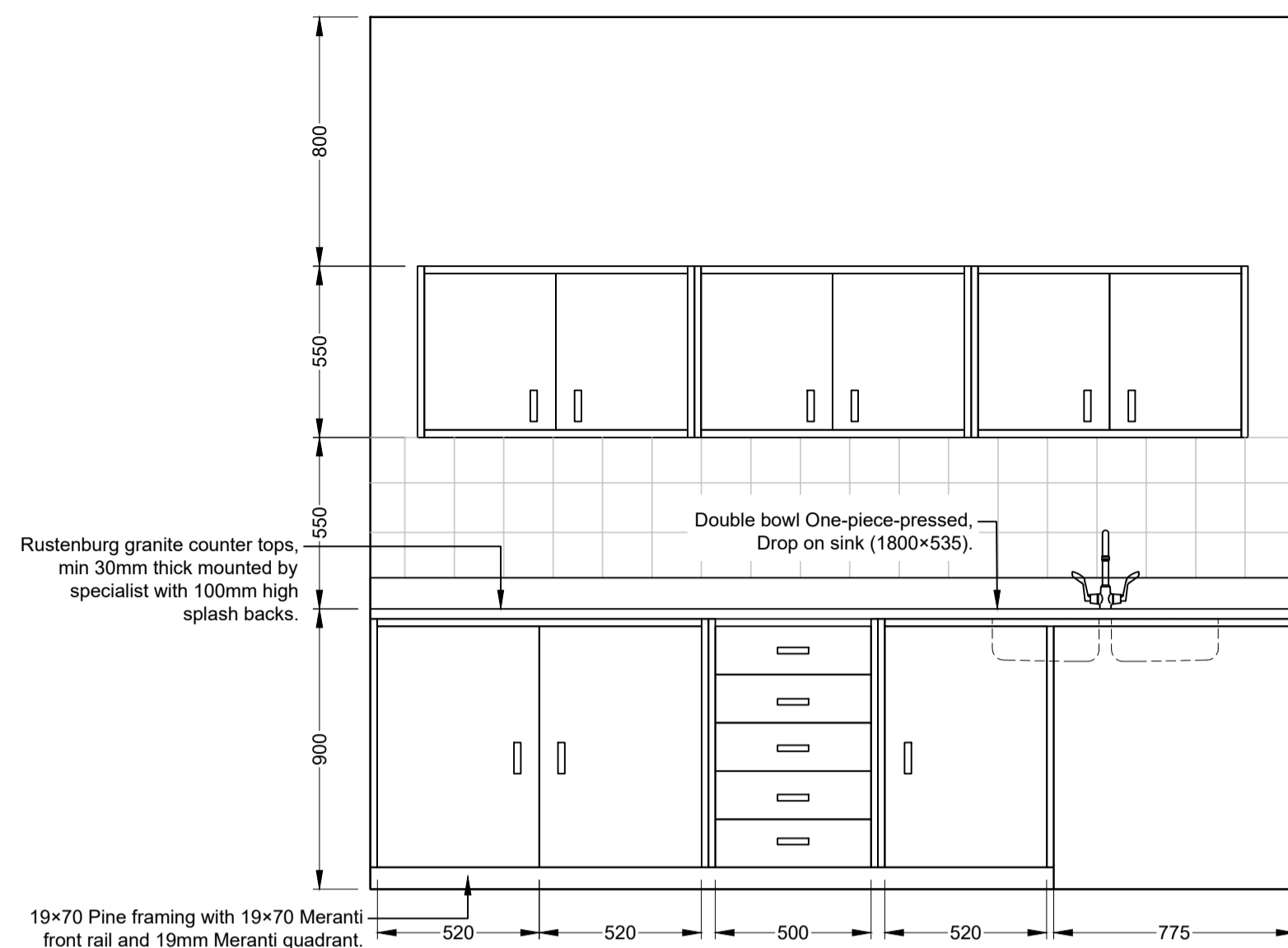
Project:
SCHOEMANSDAL SPORTS FACILITY

Drawing description:
NEW CLUBHOUSE FLOOR SLAB PLAN & REINFORCING DETAILS

Drawn: P.L Butelezi
Date: 23 Sep 2024
Checked: J. J v Rensburg
Date: 02 Dec 2024

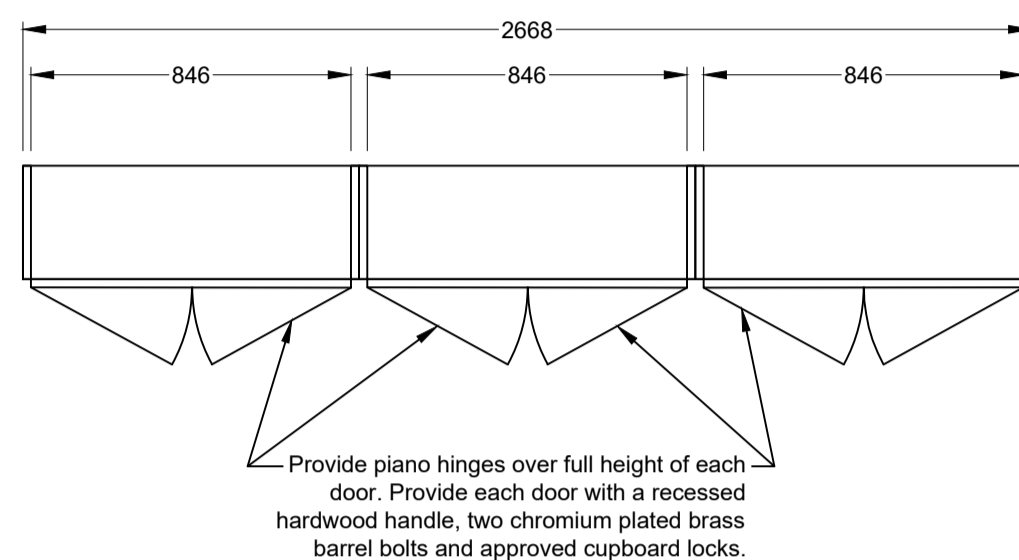
Scale/s: As Shown
Drawing number: 23-017-M-11-05
Rev.: 00

Do not scale off drawing - ASK THE ENGINEER IF UNCERTAIN!
Any discrepancies between any drawings must be clarified before work is continued on site.



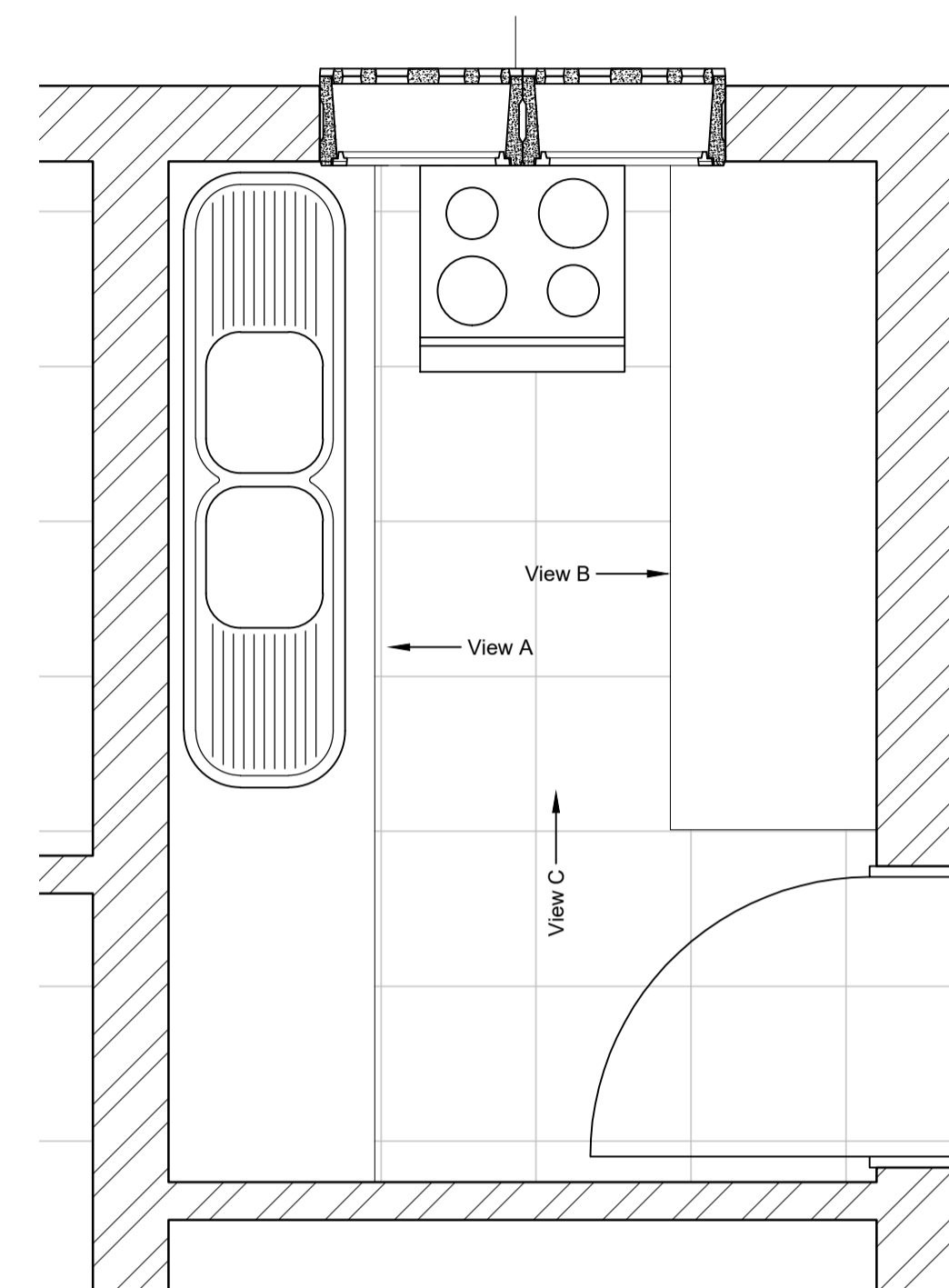
VIEW A CUPBOARD FRONT ELEVATION

Scale 1 : 20



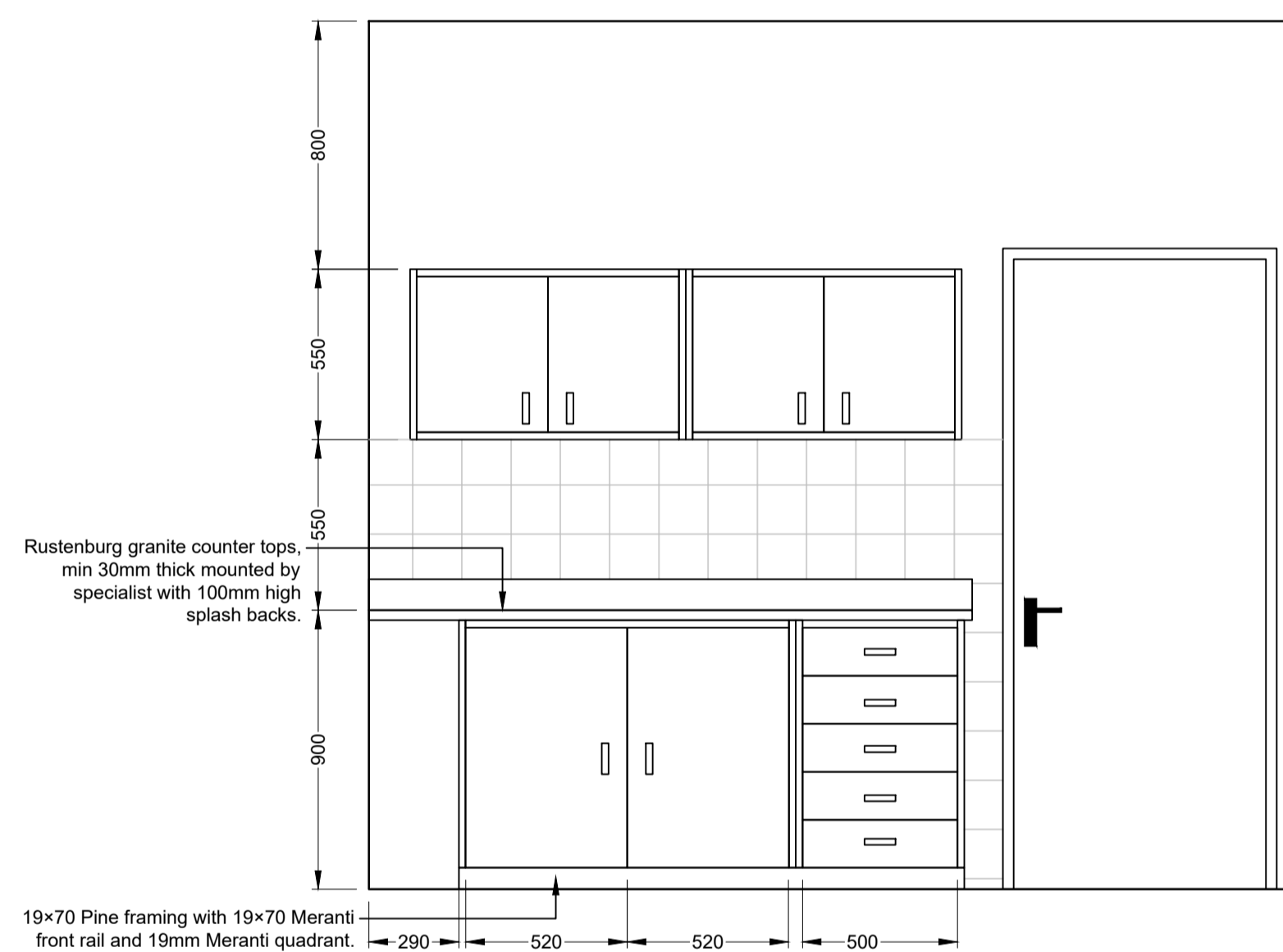
TOP CUPBOARD A PLAN

Scale 1 : 20



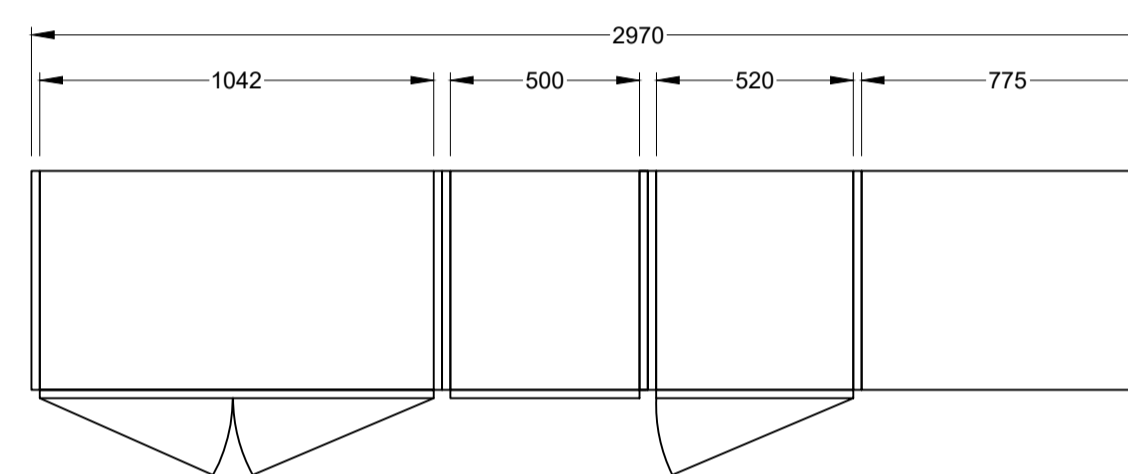
KEY PLAN

Scale 1 : 20



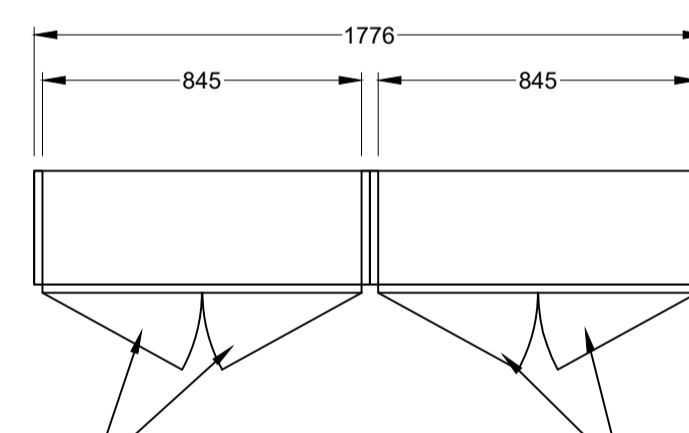
VIEW B CUPBOARD FRONT ELEVATION

Scale 1 : 20



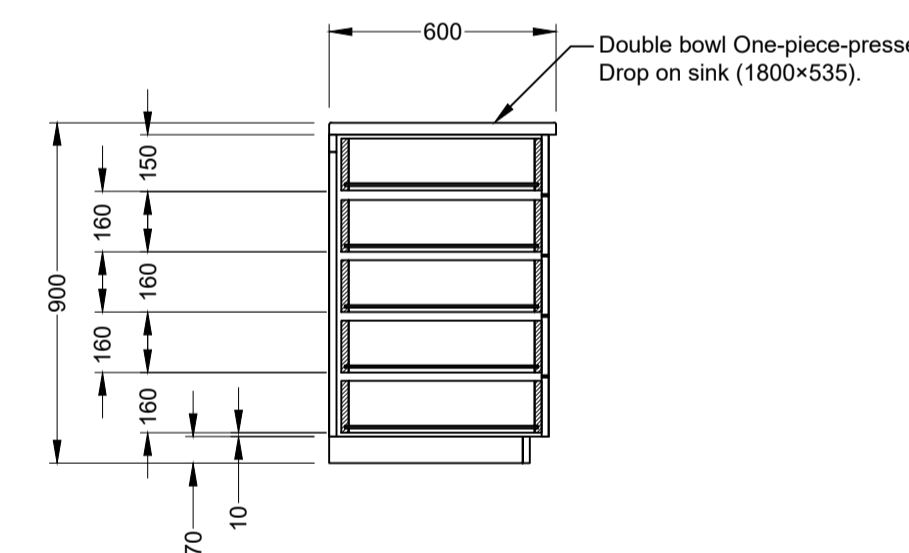
CUPBOARD A PLAN

Scale 1 : 20



TOP CUPBOARD B PLAN

Scale 1 : 20



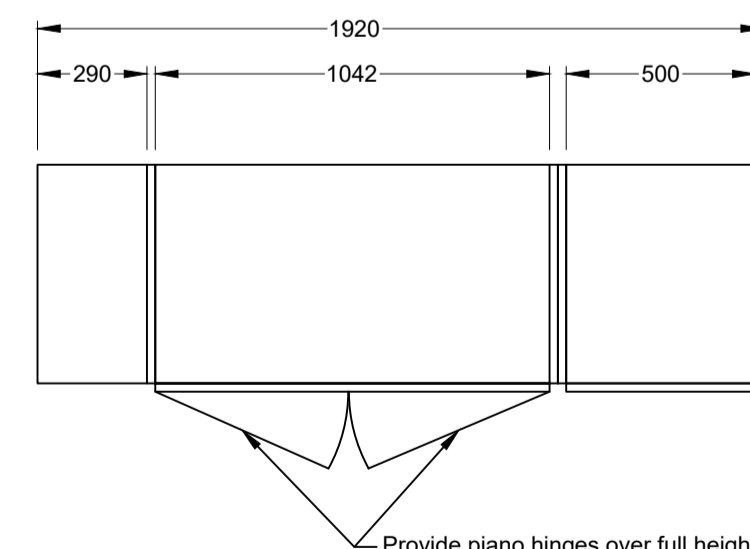
CUPBOARD DRAWER SECTION

Scale 1 : 20



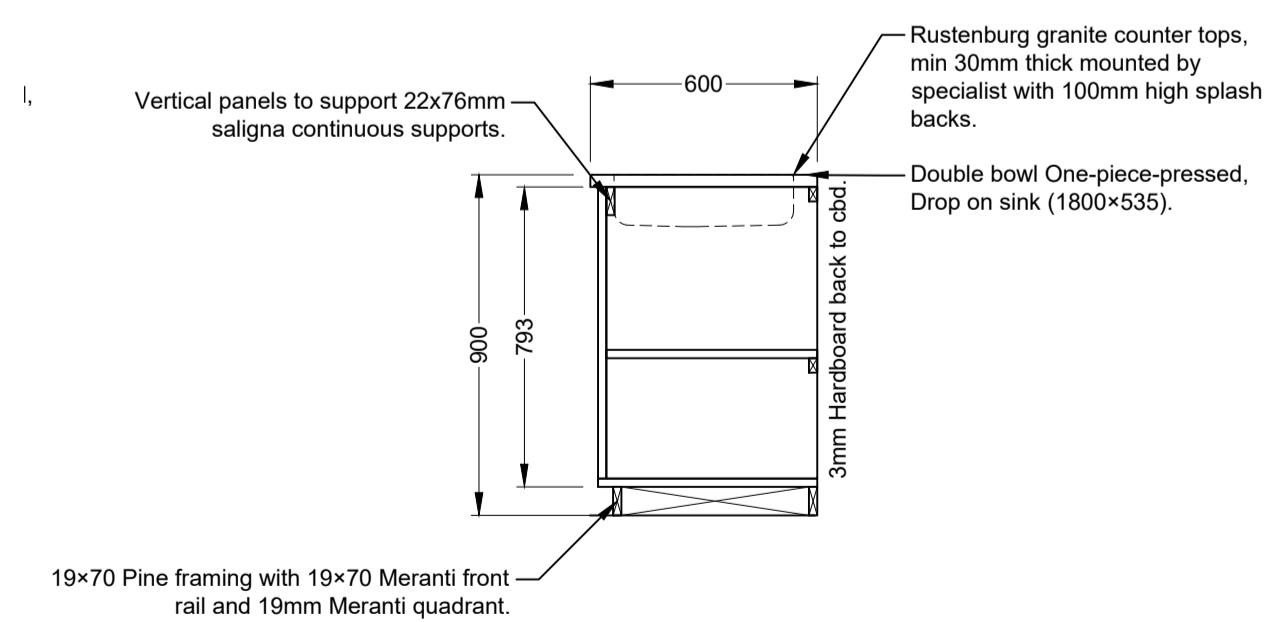
VIEW C STOVE FRONT ELEVATION

Scale 1 : 20



CUPBOARD B PLAN

Scale 1 : 20



CUPBOARD CLOSED SHELVING SECTION

Scale 1 : 20

FOR TENDER PURPOSES ONLY

AMENDMENTS

Rev.	Date	Description	Initials

ECA CONSULTING MBOMBELA OFFICE:
29 Marloth Street | Mbombela | Mpumalanga | RSA
mbombela@ecaconsult.co.za
Tel: +27 (0)13 752 2357
www.ecaconsult.co.za
Civil and Structural Engineers
OTHER OFFICES:
Company Reg.: 2004/019299/07 ISO Registered 9001:2015
VRYHEID | GAUTENG | PIETERMARITZBURG | LADYSMITH

Approved by Engineer: Name: J.W. Janse v Rensburg Designation: PrTechEng ECSA Reg.: 201070143
Signature: _____ Date: 7 May 2025

Project Funder/ Client:
 **NKOMAZI LOCAL MUNICIPALITY**

Approved by Client:
Name: _____
Signature: _____ Date: _____

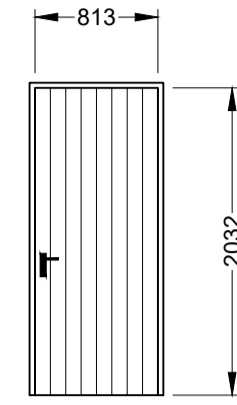
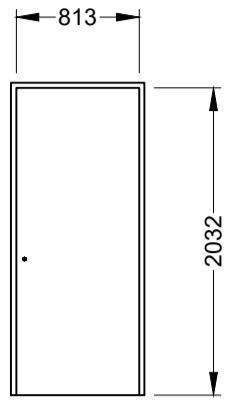
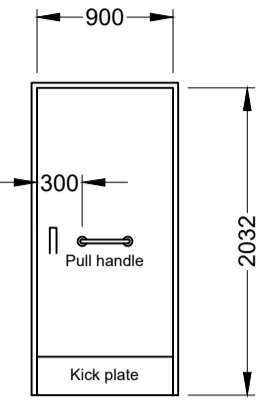
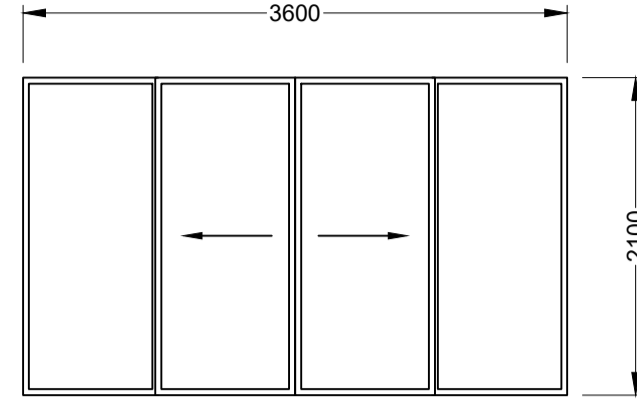
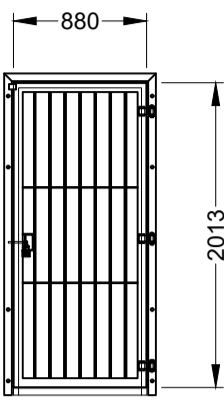
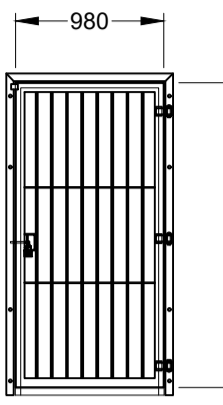
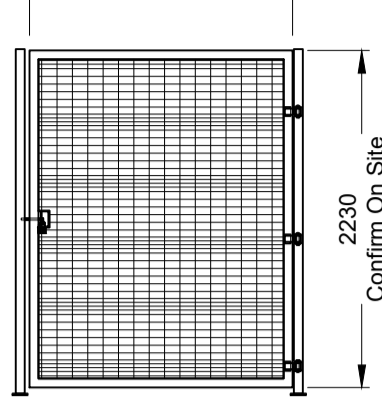
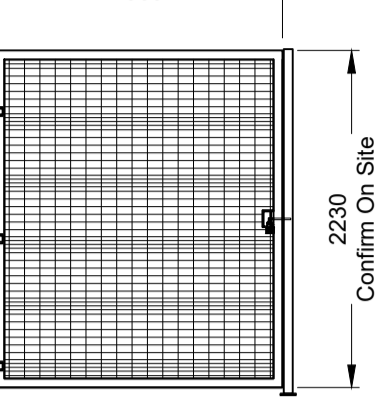
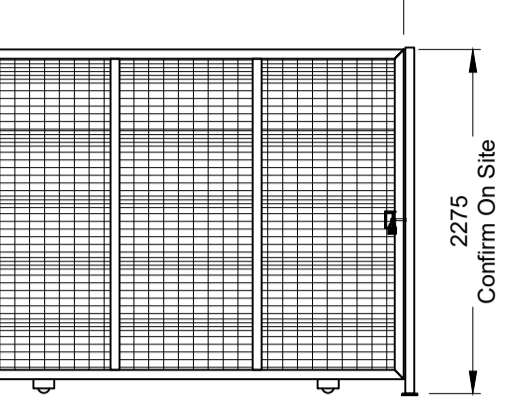
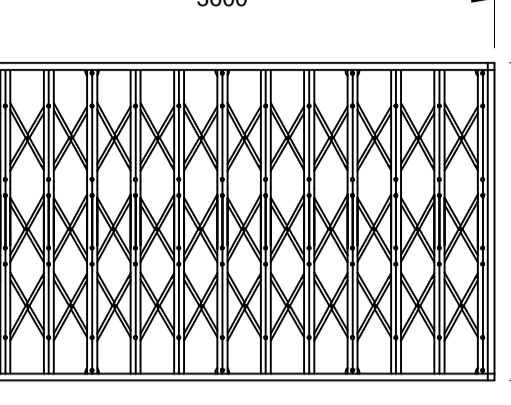
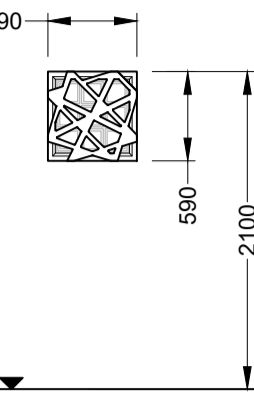
Project:
SCHOEMANSDAL SPORTS FACILITY

Drawing description:
NEW CLUBHOUSE KITCHEN CUPBOARD DETAILS

Drawn: P.L Butelezi Checked: J. J v Rensburg
Date: 23 Sep 2024 Date: 02 Dec 2024

Scale/s: As Shown
Drawing number: 23-017-M-11-06 Rev.: 00

DOOR & WINDOW SCHEDULE


												
	D1	D2	D3	D4	G1	G2	G3	G4	G5	G6	W1	
Door leaf:	812x2032mm Meranti FLB flush open back door. Finished with 1 x coat universal undercoat and 2 x coats Enamel, colour to Project Manager.	813x2032mm Hardboard faced, semi solid core flush panel door. Finished with 1 x coat universal undercoat and 2 x coats Enamel, colour to Project Manager.	900x2032x40mm solid core door, finish with 1 coat universal undercoat and 2 coats Enamel paint, colour to Project Manager.	3600x 2100mm Aluminium Patio Sliding Door 700 Series 4 Panel.	Gate consisting of 60x40x2,5mm Rectangular hollow section, with R12 and R12 bars @ 100mm c/c bars.	Gate consisting of 60x40x2,5mm Rectangular hollow section, with R12 and R12 bars @ 100mm c/c bars.	Gate consisting of 60x60x2,5mm Square hollow section, with "De-fence MAX" infill. As per installation specialist.	Gate consisting of 60x60x2,5mm Square hollow section, with "De-fence MAX" infill. As per installation specialist.	Gate consisting of 60x60x2,5mm Square hollow section, with "De-fence MAX" infill. As per installation specialist.	Gate consisting of 60x60x2,5mm Square hollow section, with "De-fence MAX" infill. As per installation specialist.	Barricade grilles are a horizontally-folding, fully retractable security system. As per installation specialist.	None.
Frame:	Std. Hot Dipped Galvanised 1.2mm Mild steel frame for 230mm brick wall with 2 x 100mm butt hinges welded to frame, adjustable striker plate and rubber buffers to lock jamb.	Std. Hot Dipped Galvanised 1.2mm Mild steel frame for 115mm brick wall with 2 x 100mm butt hinges welded to frame, adjustable striker plate and rubber buffers to lock jamb.	Hot Dipped Galvanised steel frame for disabled facility door by manufacturer to comply with SANS 10400-S:2011, 4.12.	Available in a variety of popular architectural powder coating colors and finishes.	Purpose made 50x50x2,5mm square tubing frame rawl bolted to wall over brickwork opening. Gate and frame finished in hot dipped galvanising.	Purpose made 50x50x2,5mm square tubing frame rawl bolted to wall over brickwork opening. Gate and frame finished in hot dipped galvanising.	80x60x2mm "De-fence MAX" post as per specialist. Gate and frame finished in hot dipped galvanising. As per installation specialist.	80x60x2mm "De-fence MAX" post as per specialist. Gate and frame finished in hot dipped galvanising. As per installation specialist.	80x60x2mm "De-fence MAX" post as per specialist. Gate and frame finished in hot dipped galvanising. As per installation specialist.	80x60x2mm "De-fence MAX" post as per specialist. Gate and frame finished in hot dipped galvanising. As per installation specialist.	All galvanised steel construction. Polyester powder coated to a range of RAL colours. As per installation specialist.	WB66WG-NS "Wnblock Module 600" with "Wingrid" Insert and "Nest" screen.
Handles:	Union: Radius lever CZ692-24SC to take 2-Lever lockset.	-	Pull handle.	Croc Claw Patio Door Handle G010N	R12 Bar formed into handle and welded to frame.	R12 Bar formed into handle and welded to frame.	As per installation specialist.	As per installation specialist.	As per installation specialist.	As per installation specialist.	None.	
Lockset:	Union: 3-Lever upright lock CZ692-24-52CH.	BB-179s Brass indicator bolt toilet lockset.	Ironmongery to SANS 10400-S:2011, 4.12.	Croc Claw Patio Door Handle G010N	Union 'MG47' 47mm Padlock.	Union 'MG47' 47mm Padlock.	Union 'MG47' 47mm Padlock.	Union 'MG47' 47mm Padlock.	Union 'MG47' 47mm Padlock.	Two point locking from a single key with the lock mechanism shielded by a steel plate. Overlapped locking profiles.	None.	
Hinges:	As supplied with frame.	As supplied with frame.	As supplied with frame.	None.	3x Hinges welded to gate and frame as shown. Hinges as per detail.	3x Hinges welded to gate and frame as shown. Hinges as per detail.	3x Hinges welded to gate and frame as shown. Hinges as per detail.	3x Hinges welded to gate and frame as shown. Hinges as per detail.	None.	None.	None.	
Glazing:	None.	None.	None.	Suitable for single glazing up to 6.38 mm laminated safety glass.	None.	None.	None.	None.	None.	None.	4mm Obscure float glass to be fixed to bottom 6 openings. Top 3 openings to remain open for ventilation.	
Special notes:	Wall or Floor mounted black rubber door stop.	Wall or Floor mounted black rubber door stop.	Wall or Floor mounted black rubber door stop. Kick plate.	None.	Cabin hook to hold gate in open position. All steel to be fully hot dipped galvanised.	Cabin hook to hold gate in open position. All steel to be fully hot dipped galvanised.	Cabin hook to hold gate in open position. All steel to be fully hot dipped galvanised.	Cabin hook to hold gate in open position. All steel to be fully hot dipped galvanised.	Cabin hook to hold gate in open position. All steel to be fully hot dipped galvanised.	Cabin hook to hold gate in open position. All steel to be fully hot dipped galvanised.	None.	
No. Of	11	25	7	1	11	7	2	4	2	1	95	

FOR TENDER PURPOSES ONLY

AMENDMENTS		
Rev.	Date	Description

ECA CONSULTING MBOMBELA OFFICE:
 29 Mariotoh Street | Mbombela | Mpumalanga | RSA
 mbombela@ecaconsult.co.za
 Tel: +27 (0)13 752 2357
 www.ecaconsult.co.za
Civil and Structural Engineers
 Company Reg.: 2004/019299/07 ISO Registered 9001:2015
 OTHER OFFICES:
 VRYHEID | GAUTENG | PIETERMARITZBURG | LADYSMITH

Approved by Engineer: _____ Signature: _____
 Name: J.W. Jansse v Rensburg
 Designation: PrTechEng
 ECSA Reg.: 201070143 Date: 7 May 2025

Project Funder/ Client:
 **NKOMAZI LOCAL MUNICIPALITY**
 Approved by Client: _____
 Name: _____
 Signature: _____ Date: _____

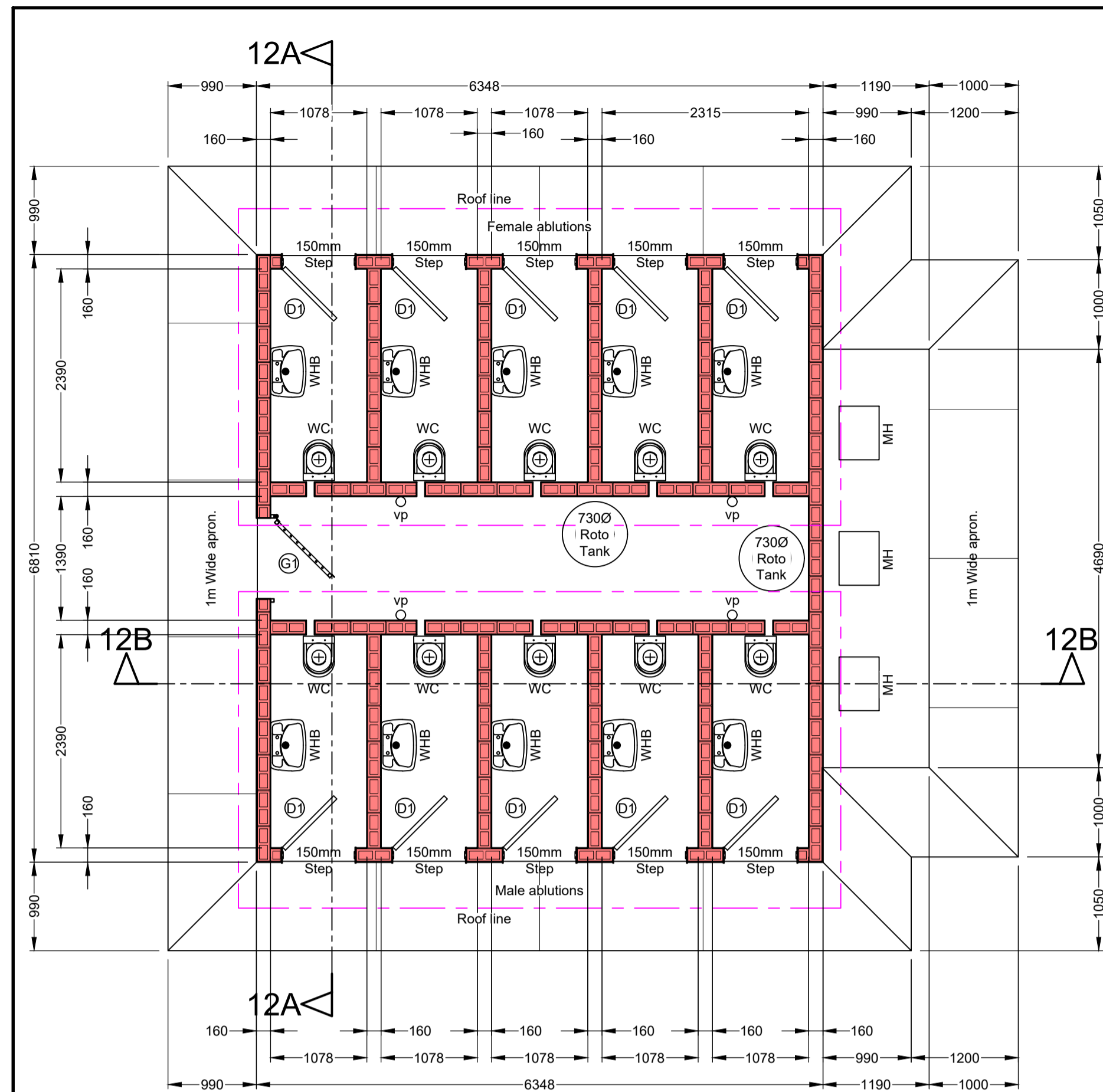
Project:
SCHOEMANSDAL SPORTS FACILITY

Drawing description:
NEW CLUBHOUSE DOOR & WINDOW SCHEDULE

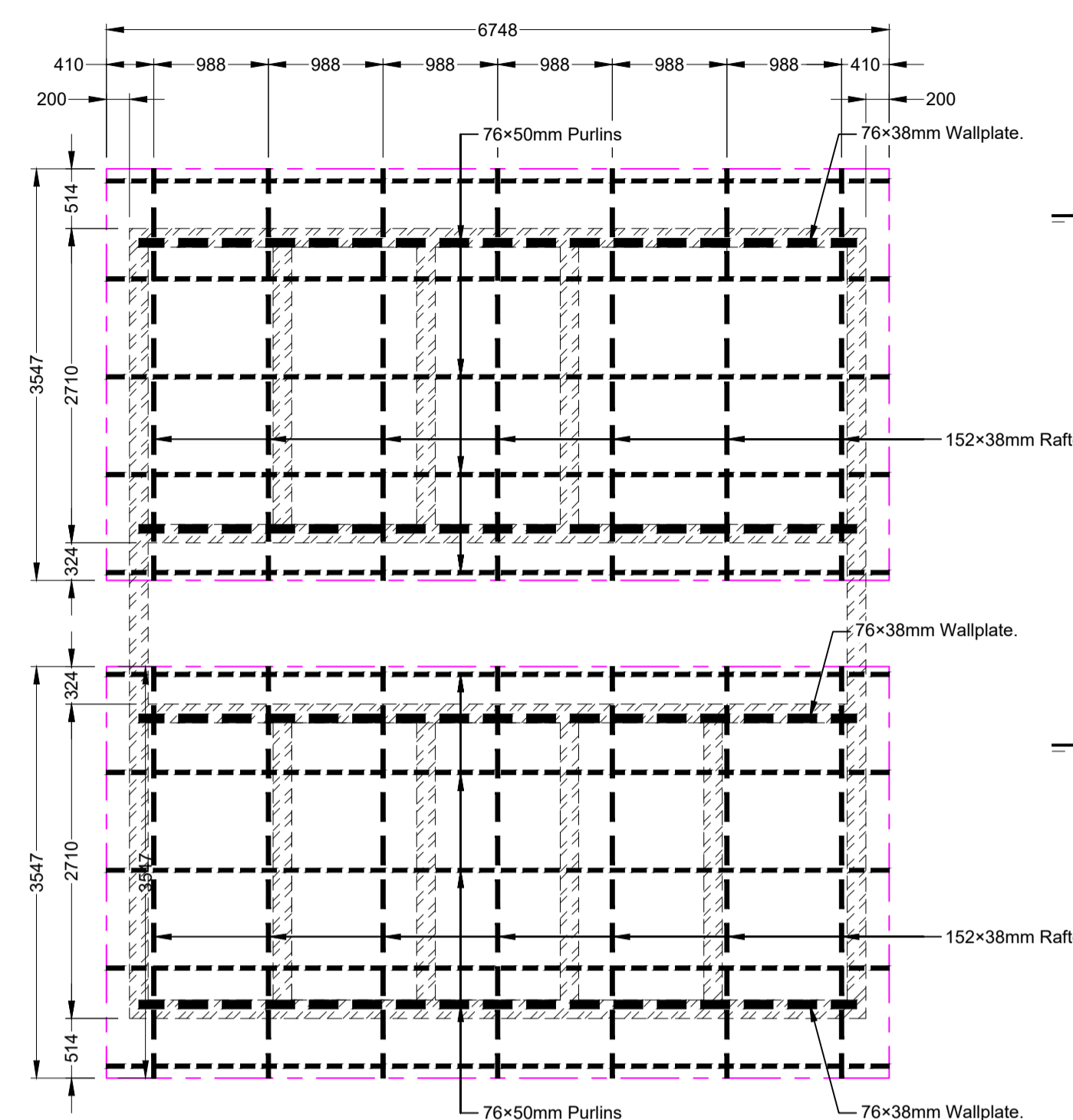
Drawn: P.L Butelezi	Checked: J. J v Rensburg
Date: 23 Sep 2024	Date: 02 Dec 2024
Scale/s: As Shown	
Drawing number: 23-017-M-11-07	Rev.: 00

Do not scale off drawing - ASK THE ENGINEER IF UNCERTAIN!
 Any discrepancies between any drawings must be clarified before work is continued on site.

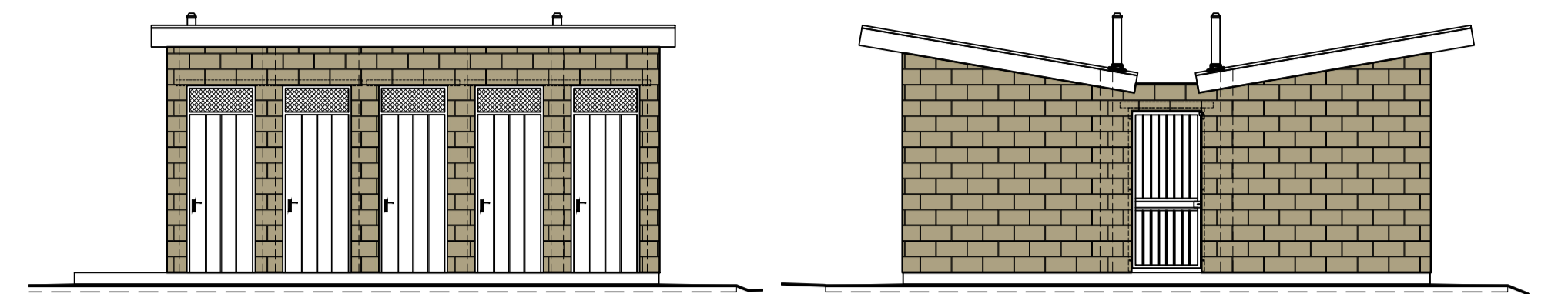
Do not scale off drawing - ASK THE ENGINEER IF UNCERTAIN!
Any discrepancies between any drawings must be clarified before work is continued on site.



FLOOR PLAN
Scale 1:50



ROOF LAYOUT PLAN
Scale 1:50



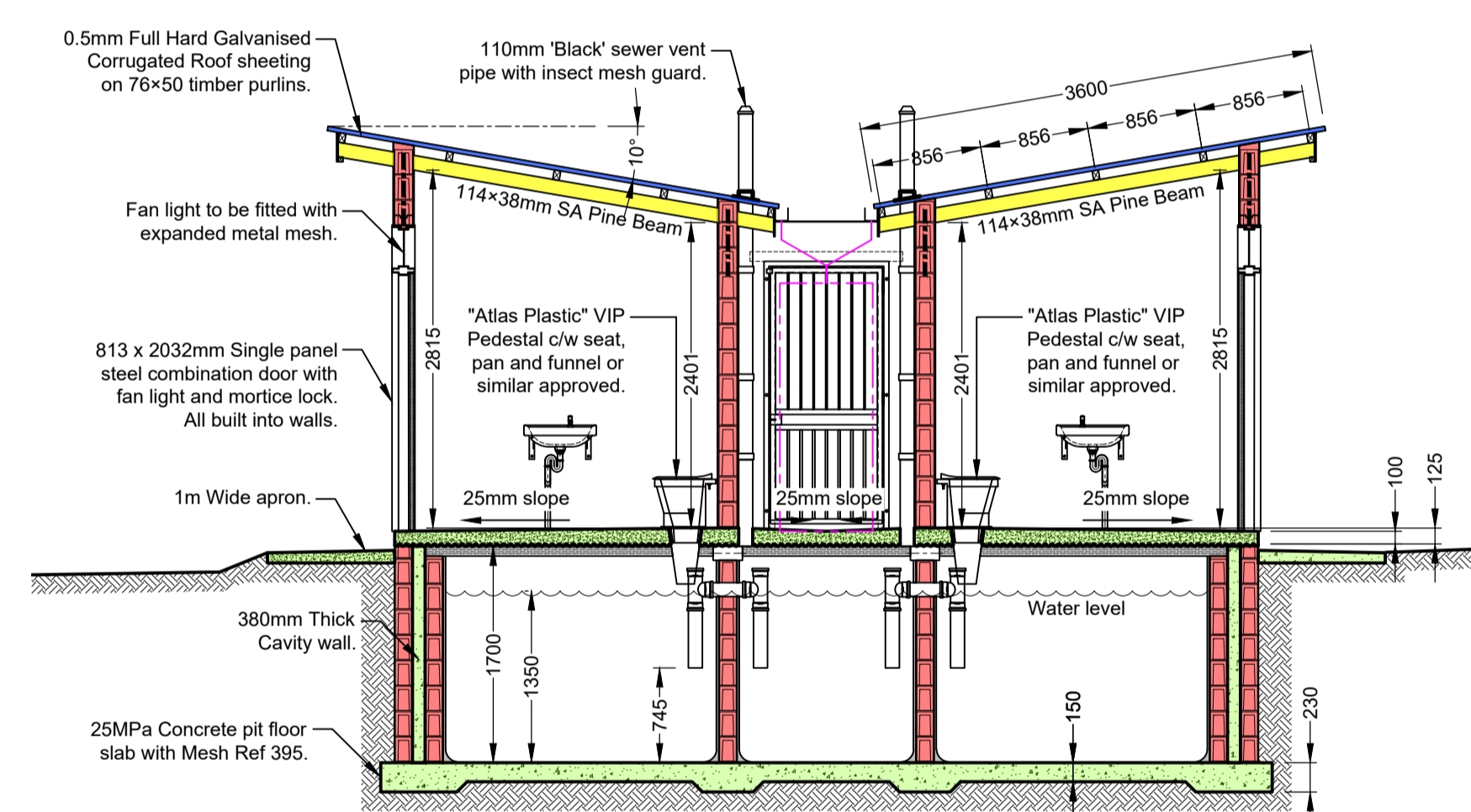
LEFT ELEVATION
Scale 1:75

FRONT ELEVATION
Scale 1:75

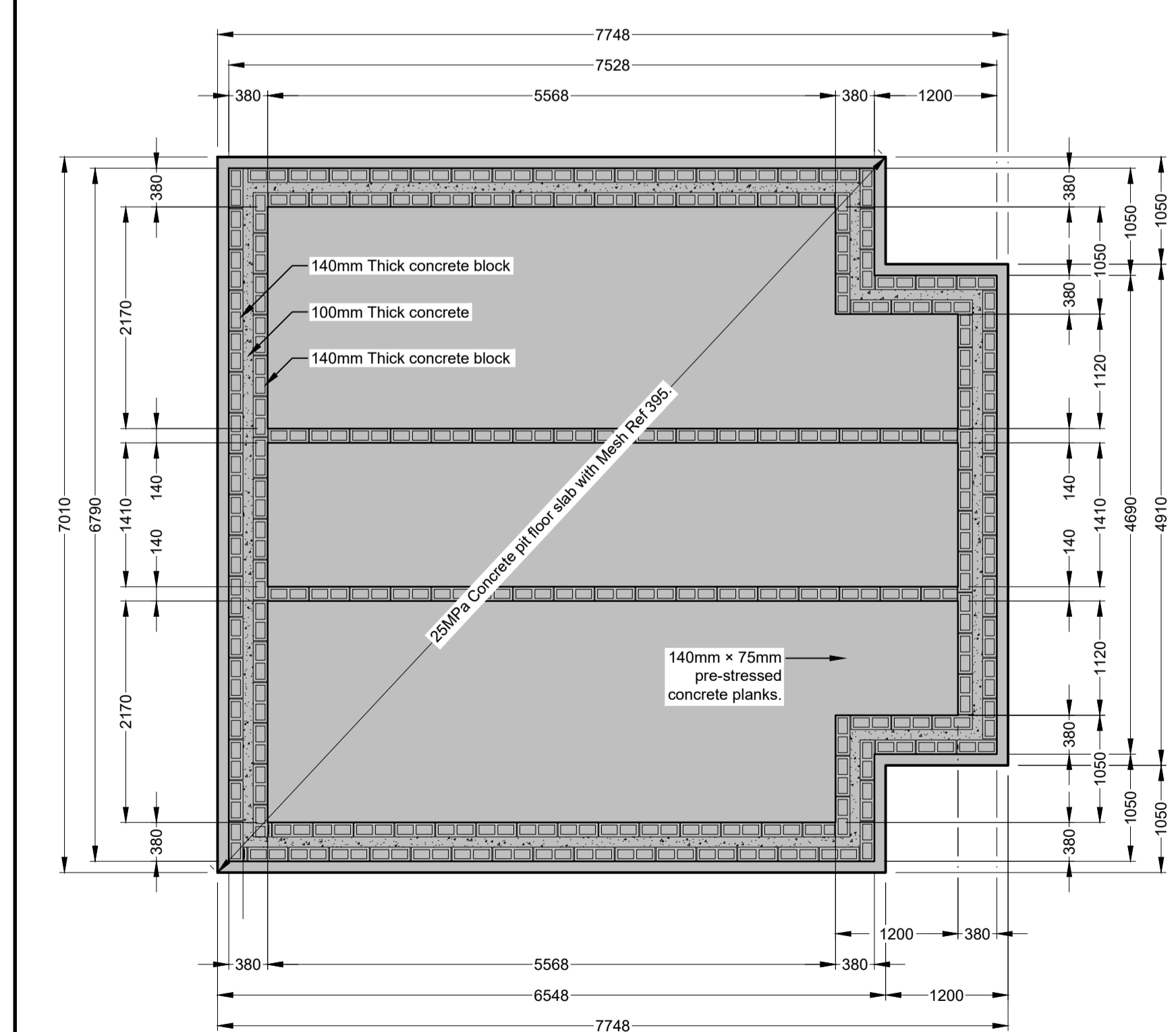


RIGHT ELEVATION
Scale 1:75

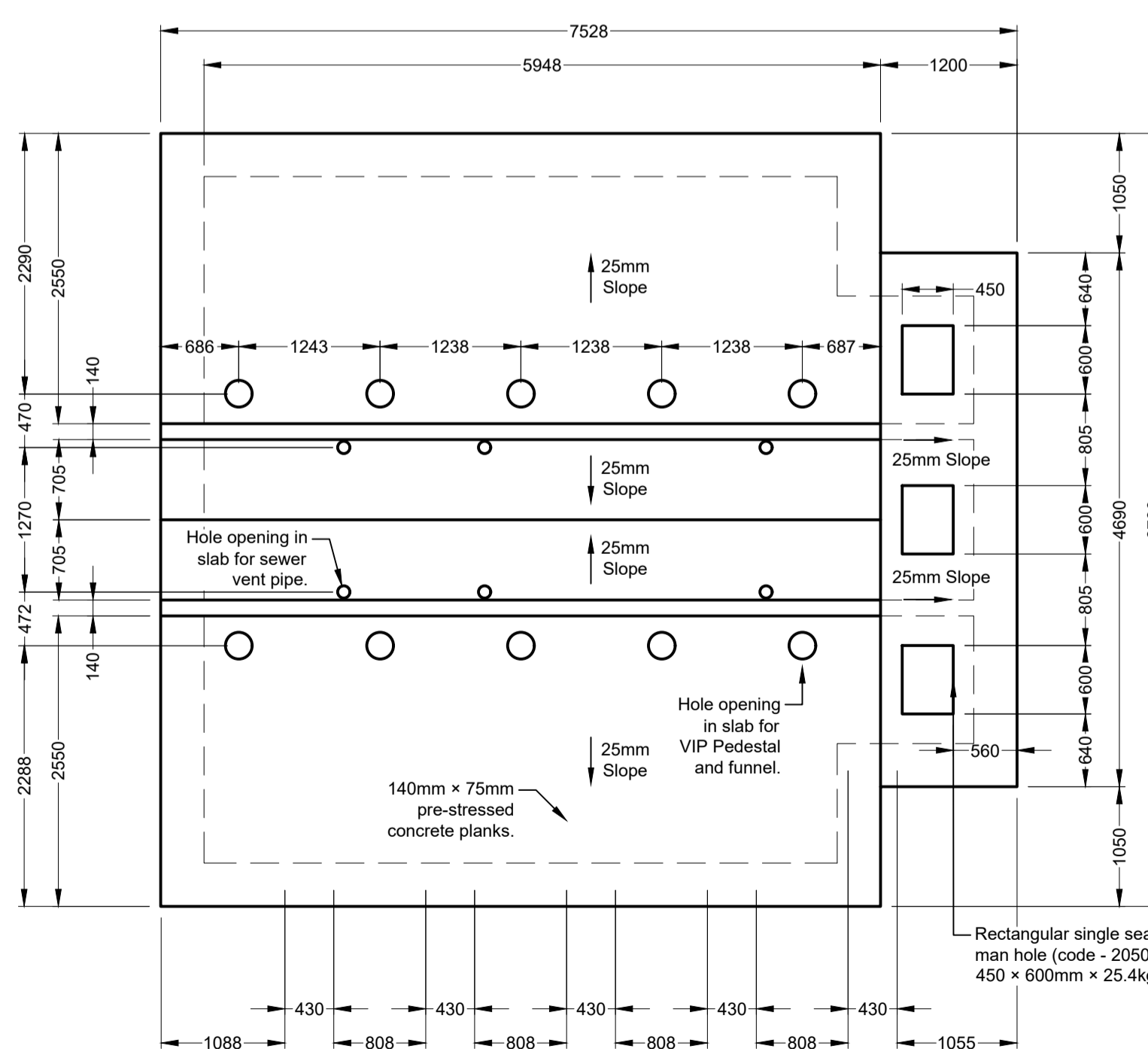
BACK ELEVATION
Scale 1:75



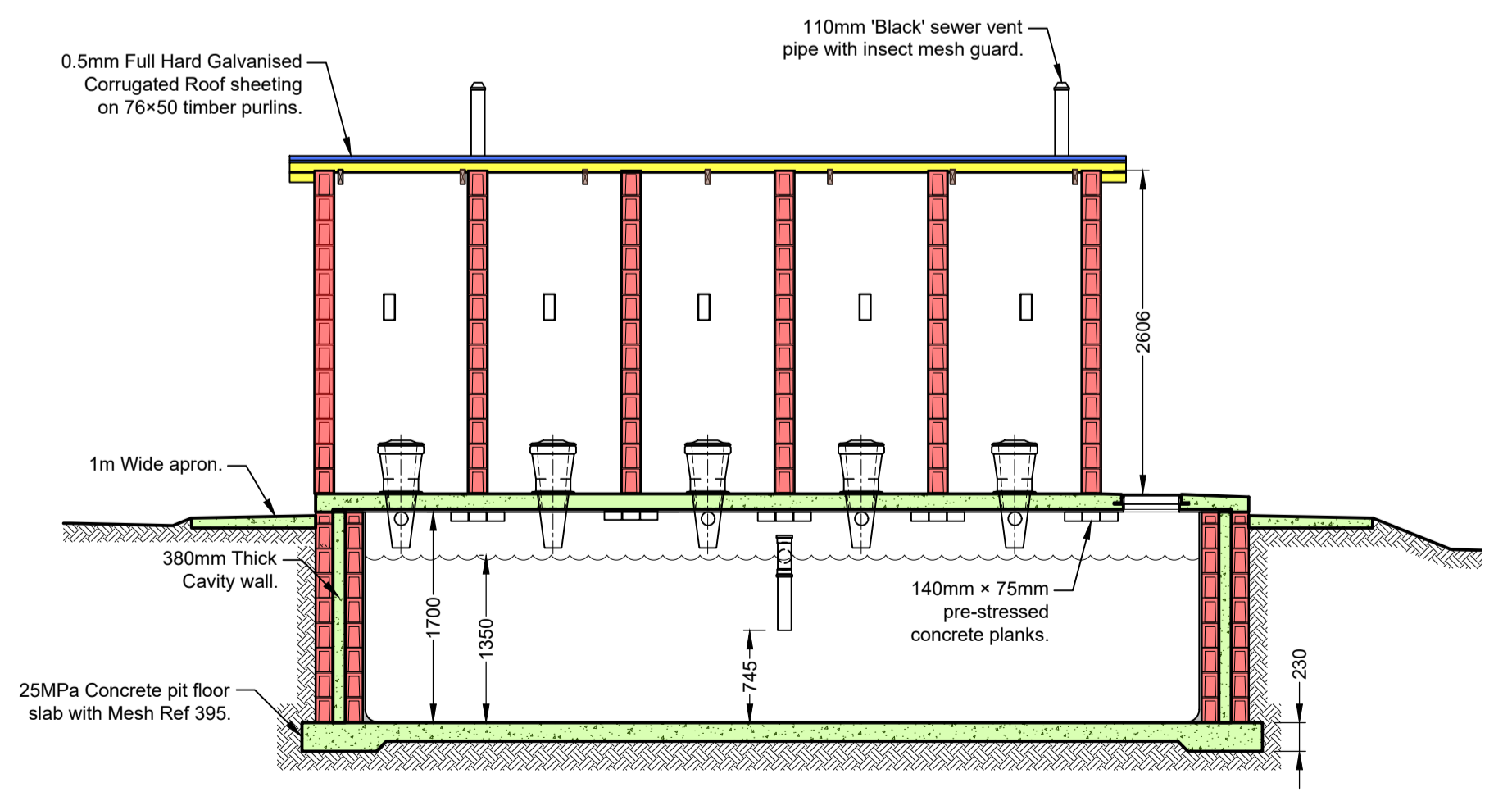
SECTION 4A-4A
Scale 1:50



PIT SLAB COVER PLAN
Scale 1:50



PIT LAYOUT PLAN
Scale 1:50



SECTION 4B-4B
Scale 1:50

READ THIS DRAWING IN CONJUNCTION WITH

Drawing Number	Drawing Description

AMENDMENTS

Rev.	Date	Description	Initials

ECA CONSULTING MBOMBELA OFFICE:
23 Marioth Street | Mbombela | Mpumalanga | RSA
mbombela@ecaconsult.co.za
Tel: +27 (0)13 752 2357
www.ecaconsult.co.za
OTHER OFFICES:
VRYHEID | GAUTENG | PIETERMARITZBURG | LADYSMITH

Approved by Engineer:
Name: J.W. Jansse v Rensburg
Designation: PrTechEng
ECOSA Reg.: 201070143
Date: 10 Dec 2024

Project Funder/ Client:
 **NKOMAZI LOCAL MUNICIPALITY**

Approved by Client:
Name: _____
Signature: _____ Date: _____

Project:
SCHOEMANSDAL SPORTS FACILITY

Drawing description:
MALE/FEMALE PIT TOILETS - BLOCK 04 PLANS, SECTIONS & ELEVATIONS

Drawn: G.D Bezuienhout Checked: J. J v Rensburg

Date: 23 Sep 2024 Date: 02 Dec 2024

Scale/s: As Shown

Drawing number: 23-017-M-12-01 Rev.: 00

FOR TENDER PURPOSES ONLY

Do not scale off drawing - ASK THE ENGINEER IF UNCERTAIN!
Any discrepancies between any drawings must be clarified before work is continued on site.

NOTE

- Foundation notes.
- Cover to all main reinforcing bars shall be 30mm.
 - Concrete strength shall be 20MPa after 28 days.
 - No concrete shall be placed without the engineers approval.
 - Reinforcement shall be maintained in position by means of approved spacers during placing.
 - Concrete shall be properly vibrated during placing.
 - Concrete shall be cured by keeping it wet and covered for 20 days.
 - All splicing shall be a minimum of 45(d).

FOR TENDER PURPOSES ONLY

READ THIS DRAWING IN CONJUNCTION WITH

Drawing Number	Drawing Description

AMENDMENTS

Rev.	Date	Description	Initials

ECA CONSULTING MBOMBELA OFFICE:
23 Marioth Street | Mbombela | Mpumalange | RSA
mbombela@ecaconsult.co.za
Tel: +27 (0)13 752 2357
www.ecaconsult.co.za
Civil and Structural Engineers
Company Reg.: 2004/019299/07
ISO Registered 9001:2015
OTHER OFFICES:
VRYHEID | GAUTENG | PIETERMARITZBURG | LADYSMITH

Approved by Engineer:
Name: J.W. Jansen v Rensburg
Designation: PrTechEng
ECSA Reg.: 201070143
Date: 19 Dec 2024

Project Funder/ Client:
 **NKOMAZI LOCAL MUNICIPALITY**

Approved by Client:
Name: _____
Signature: _____ Date: _____

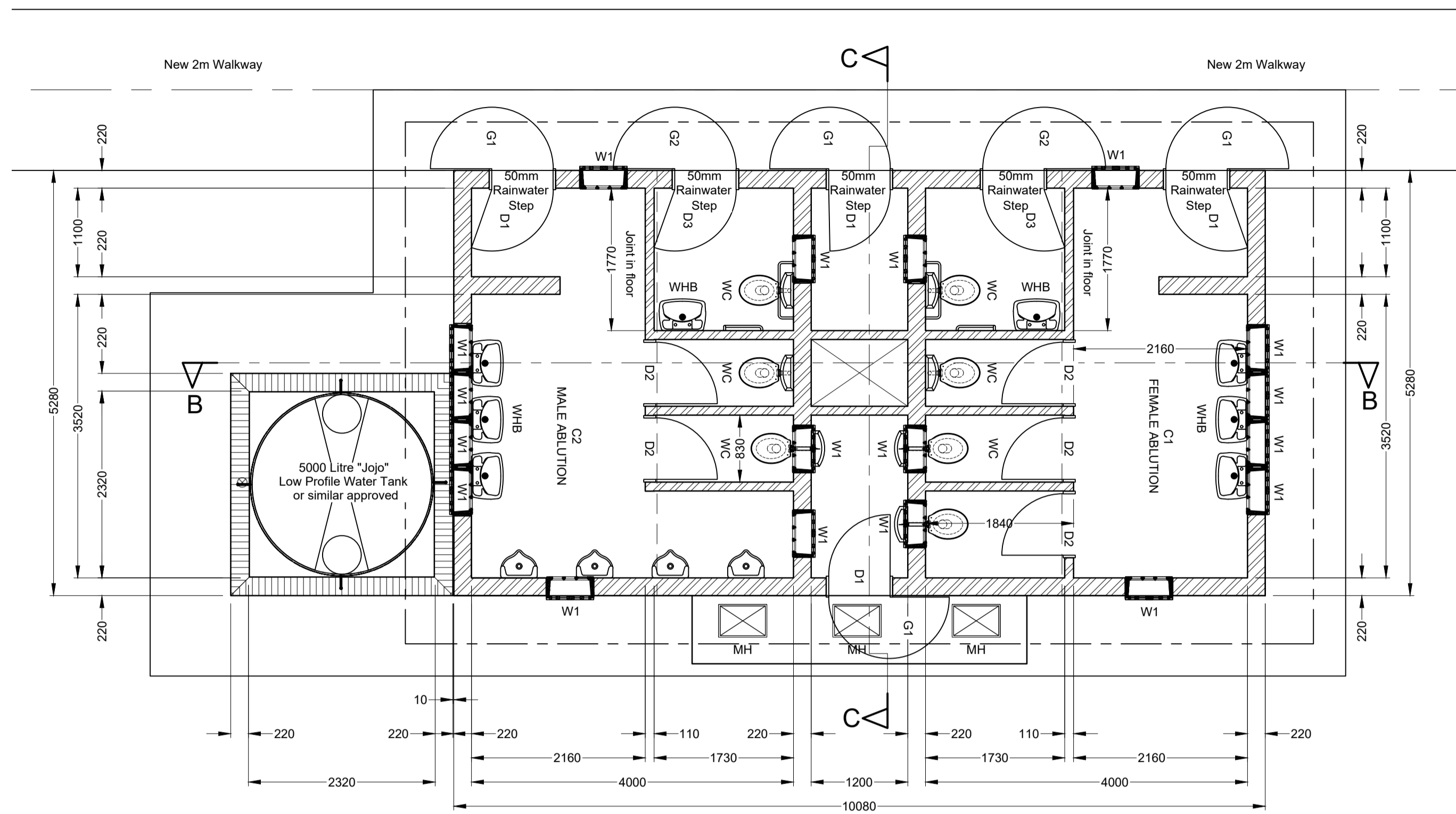
Project:
SCHOEMANSDAL SPORTS FACILITY

Drawing description:
**MALE/FEMALE ABLUTIONS - BLOCK 03
PLAN, ELEVATIONS & SECTIONS**

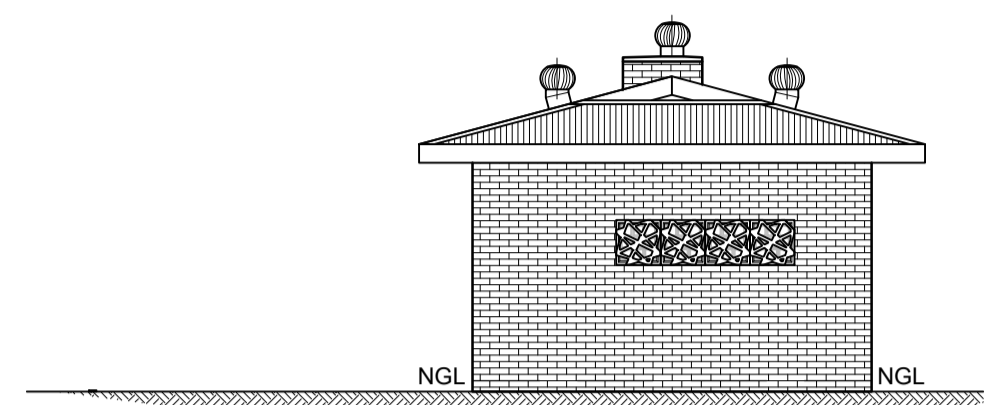
Drawn: P.L Butelezi Checked: J. J v Rensburg
Date: 23 Sep 2024 Date: 02 Dec 2024

Scale/s: As Shown

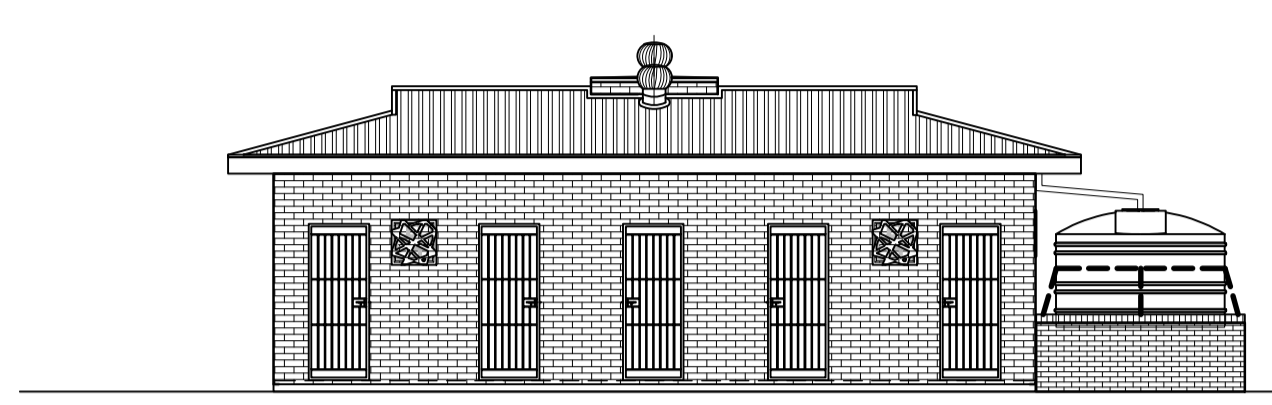
Drawing number: 23-017-M-13-01 Rev.: 00



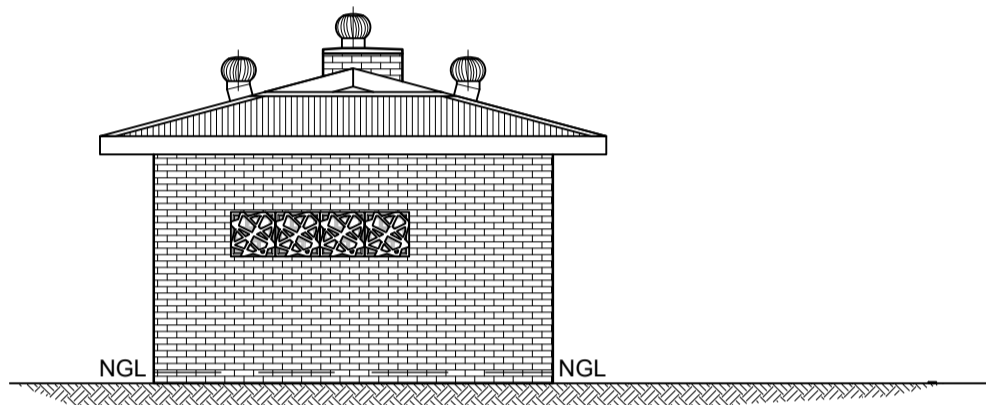
ABLUTION BLOCK PLAN
Scale 1:50



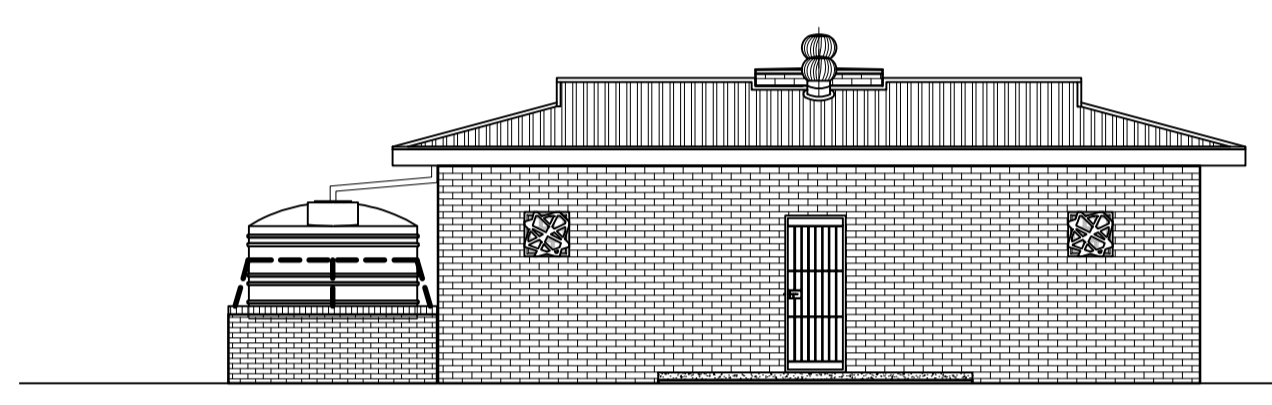
ABLUTION BLOCK SIDE ELEVATION
Scale 1:100



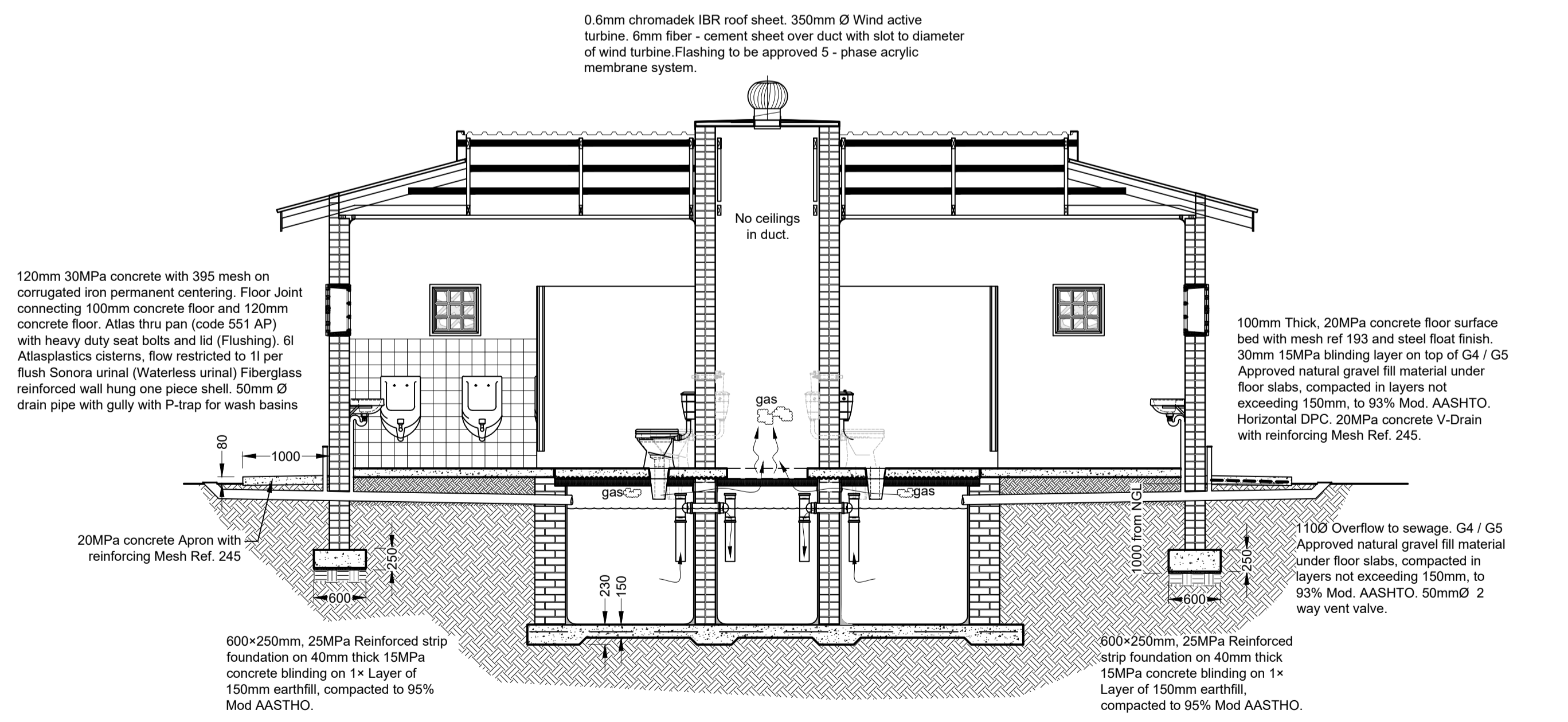
ABLUTION BLOCK FRONT ELEVATION
Scale 1:100



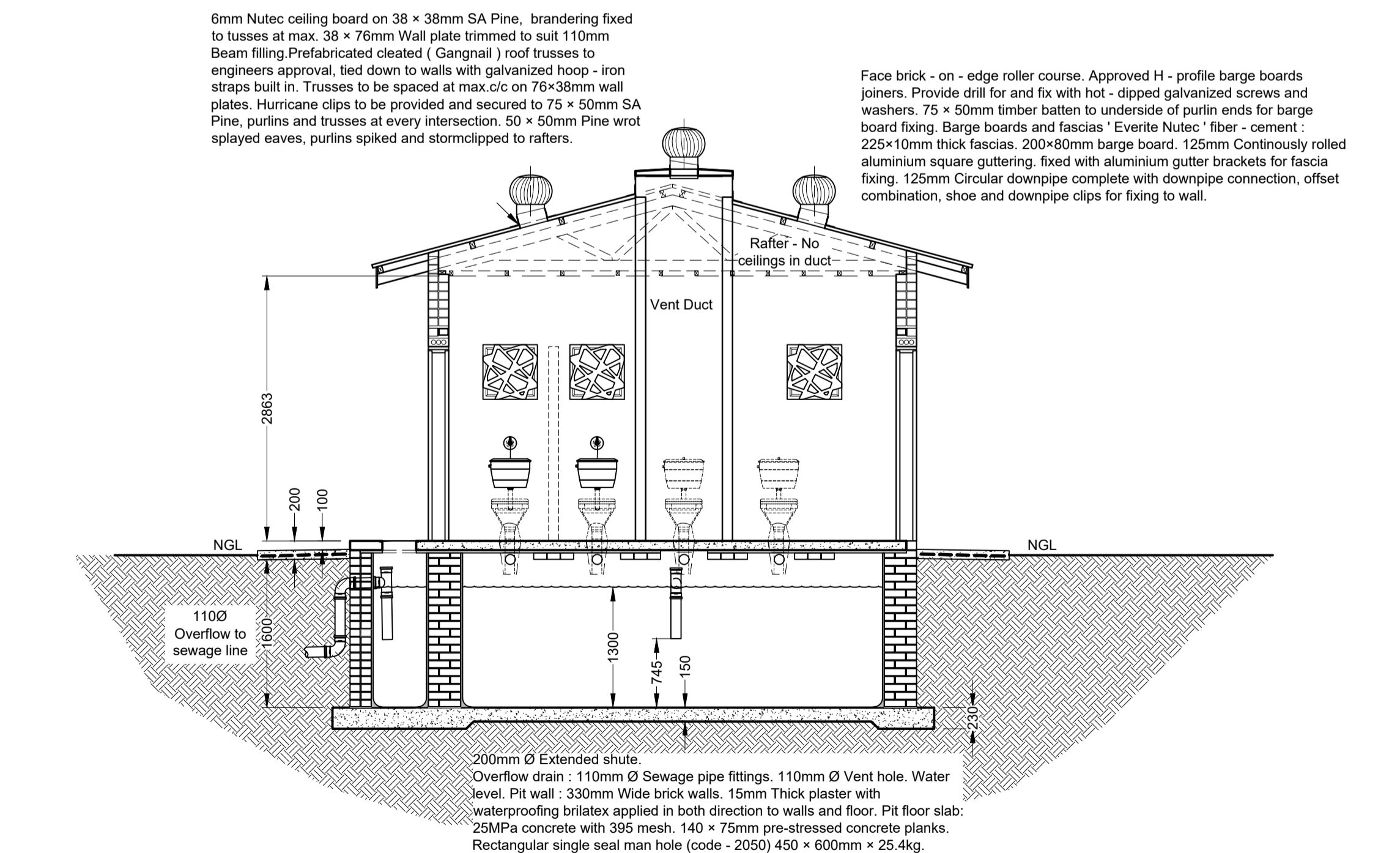
ABLUTION BLOCK SIDE ELEVATION
Scale 1:100



ABLUTION BLOCK REAR ELEVATION
Scale 1:100



SECTION B-B
Scale 1:50



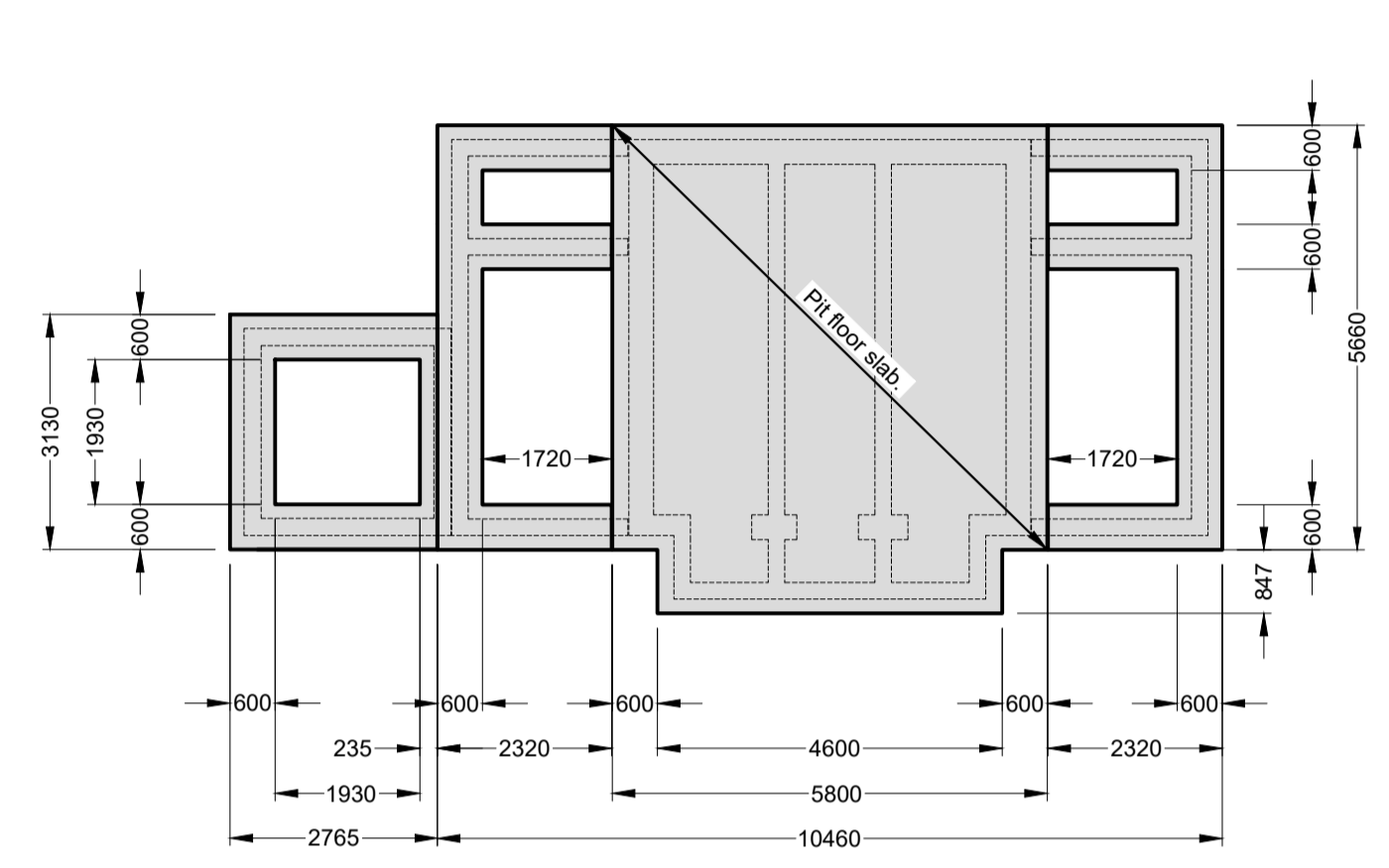
SECTION C-C
Scale 1:50

Do not scale off drawing - ASK THE ENGINEER IF UNCERTAIN!
Any discrepancies between any drawings must be clarified before work is continued on site.

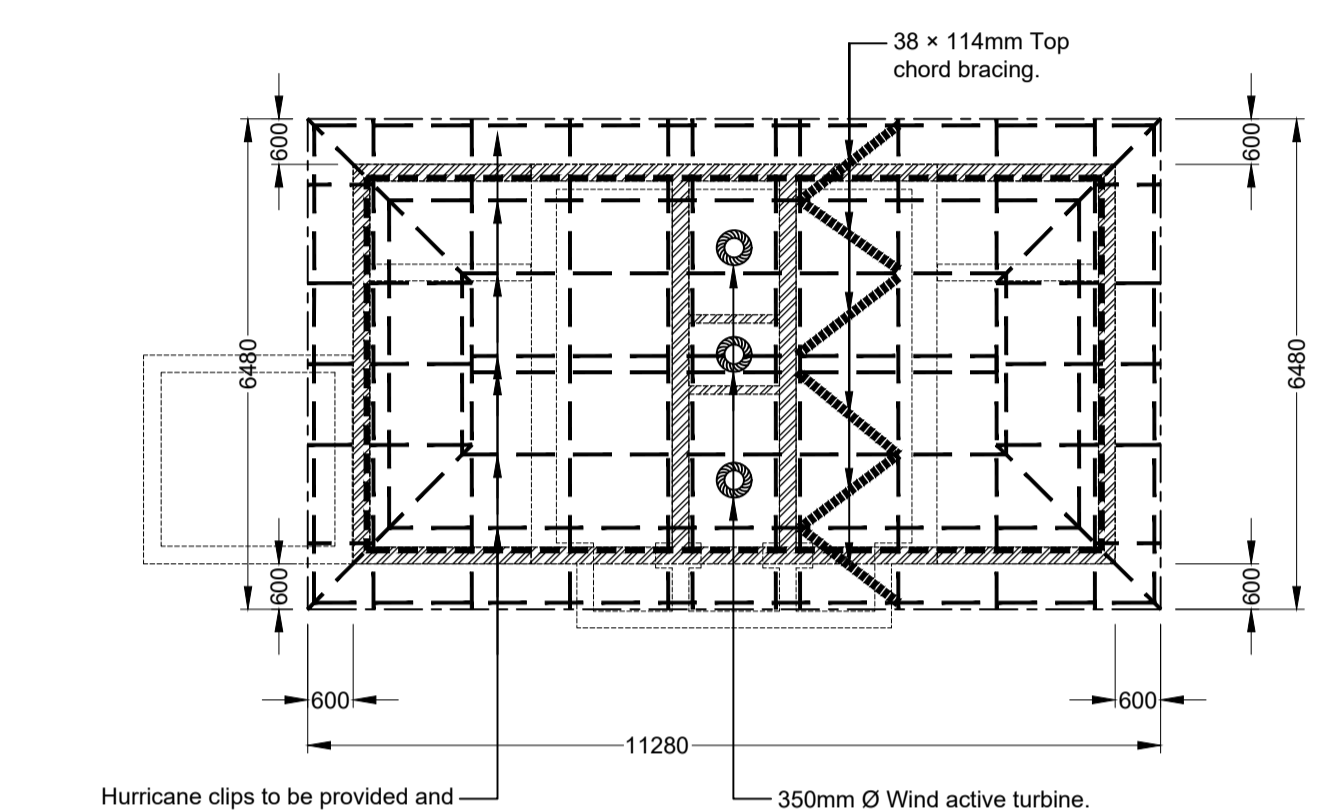
NOTE

- Foundation notes.
1. Cover to all main reinforcing bars shall be 30mm.
 2. Concrete strength shall be 20MPa after 28 days.
 3. No concrete shall be placed without the engineers approval.
 4. Reinforcement shall be maintained in position by means of approved spacers during placing.
 5. Concrete shall be properly vibrated during placing.
 6. Concrete shall be cured by keeping it wet and covered for 20 days.
 7. All splicing shall be a minimum of 45(d).

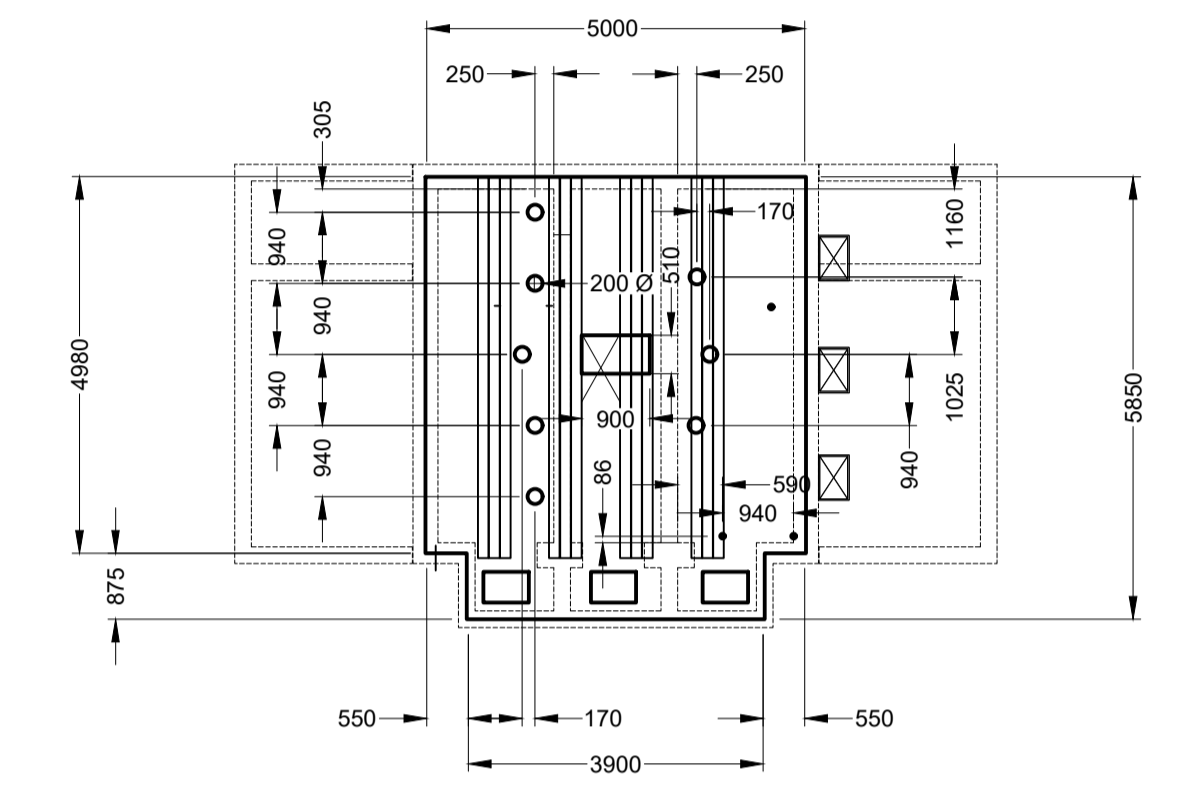
FOR TENDER PURPOSES ONLY



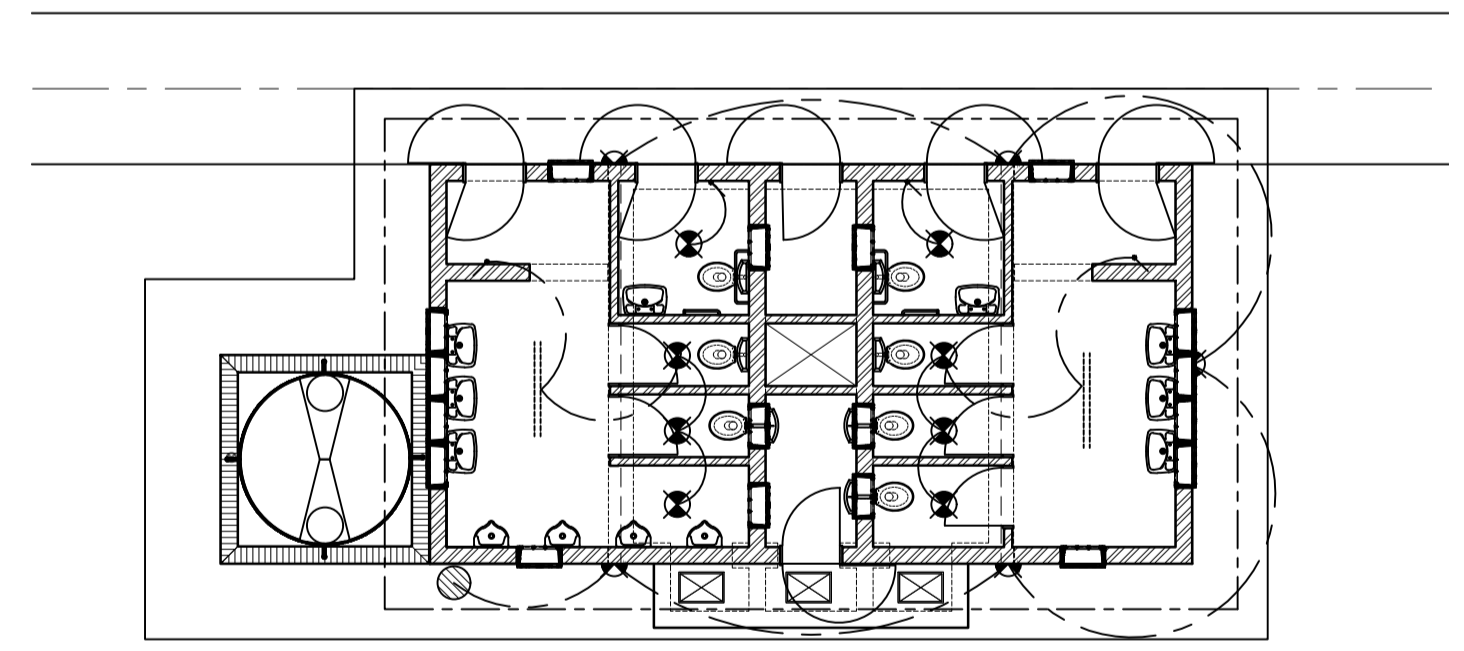
SEPTIC TANK FOUNDATION AND PIT SLAB PLAN
Scale 1:100



ABLUTION BLOCK ROOF PLAN
Scale 1:100



SEPTIC TANK PIT COVER SLAB PLAN
Scale 1:100



ABLUTION ELECTRICAL LAYOUT
Scale 1:100

ELECTRICAL LEGEND	
	Ceiling light point, placed in centre or as shown
	Exterior wall light, height as indicated
	1.5m Double Fluorescent light
	Light Switch 1250 a.f.f.l.
	Double wall plug, 300 a.f.f.l. or as indicated
	Stove plug 1500 a.f.f.l.
	Air Conditioner plug 300mm below ceiling
	Distribution Board top 2100mm A.F.F.L.
	Photo cell sensor

READ THIS DRAWING IN CONJUNCTION WITH

Drawing Number	Drawing Description

AMENDMENTS

Rev.	Date	Description	Initials

ECA CONSULTING MBOMBELA OFFICE:
29 Marioth Street | Mbombela | Mpumalanga | RSA
mbombela@ecaconsult.co.za
Tel: +27 (0)13 752 2357
www.ecaconsult.co.za

Civil and Structural Engineers

Company Reg.: 2004/019299/07
ISO Registered 9001:2015

OTHER OFFICES:
VRYHEID | GAUTENG | PIETERMARITZBURG | LADYSMITH

Approved by Engineer: Signature: _____
Name: J.W. Janse v Rensburg
Designation: PrTechEng
ECSA Reg.: 201070143 Date: 19 Dec 2024

Project Funder/ Client:



NKOMAZI LOCAL MUNICIPALITY

Approved by Client:
Name: _____
Signature: _____ Date: _____

Project:

SCHOEMANSDAL SPORTS FACILITY

Drawing description:
**MALE/FEMALE ABLUTIONS - BLOCK 03
ROOF, FOUNDATION SLAB & ELECTRICAL PLANS**

Drawn: P.L Butelezi Checked: J. J v Rensburg
Date: 23 Sep 2024 Date: 02 Dec 2024

Scale/s: As Shown

Drawing number: **23-017-M-13-02** Rev.: **00**