

1

2

3

4

A

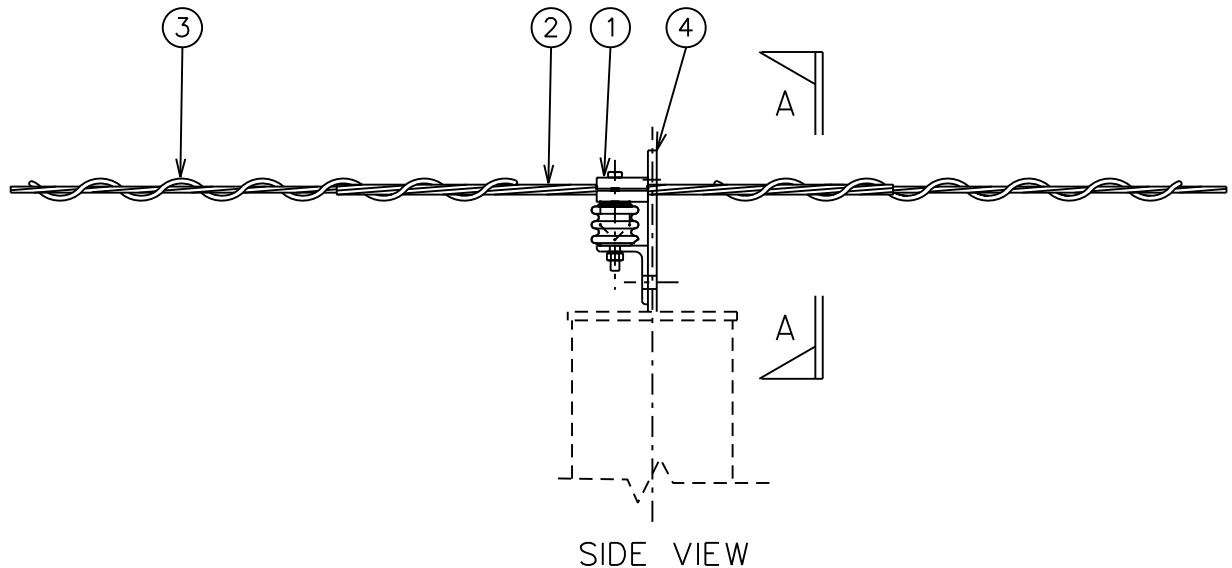
A

B

B

C

C



DETAILS OF INTERMEDIATE POLE TOP ASSEMBLY WITH
SHIELDWIRE BRACKET FOR SINGLE SHIELDWIRE
OR DOUBLE SHIELDWIRE ASSEMBLYS

D

D

REF	DESCRIPTION	DRAWING NO.
1	INSULATION CLAMP	D-DT-7002
2	ARMOUR ROD	D-DT-7006
3	VIBRATION DAMPER	D-DT-3175
4	SHIELDWIRE BRACKET ASSY.	D-DT-7048

5	TITLE BLOCK SHOULD READ INSULATED AND TABLE ITEMS 1-2 CORRECTED	P.A.T.	S. MASHABA	24.10.11		
4	RETIC. REMOVED AND DIST.TECH ADDED TO TITLE BLOCK, EARTHWIRE CHANGED TO SHIELDWIRE AND ARCHING HORN CORRECTED ON VIEW 'A-A'	P.A.T.	S. MASHABA	06.04.09		
3	ARMOUR ROD REFERENCE NO REVISED	SLR	RAB	AB	JULY 2004	
REV	REVISION DESCRIPTION	BY	CHKD	AUTH	DATE	PROJECT NO.

E

E



DISTRIBUTION TECHNOLOGY
SUB-TRANSMISSION LINES
INTERMEDIATE POLE TOP AND
DOUBLE OR SINGLE SHIELDWIRE BRACKET
INSULATED ASSEMBLY (RIDGID)

AUTH: A BEKKER

DATE: JAN 2004

CHKD: RAB

DATE: JAN 2004

DRAWN: LMP

DATE: APRIL 2000

D-DT-7327

SET

SHEET

REVISION

2

1

5

F

F

1

2

3

4 A4L

1

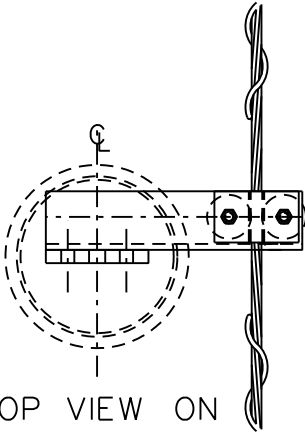
2

3

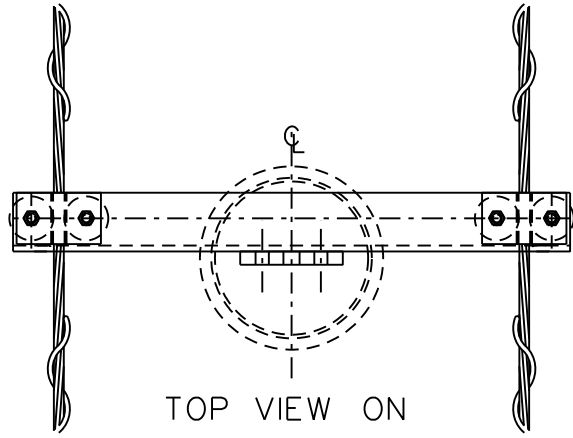
4

A

A



TOP VIEW ON CAP PLATE

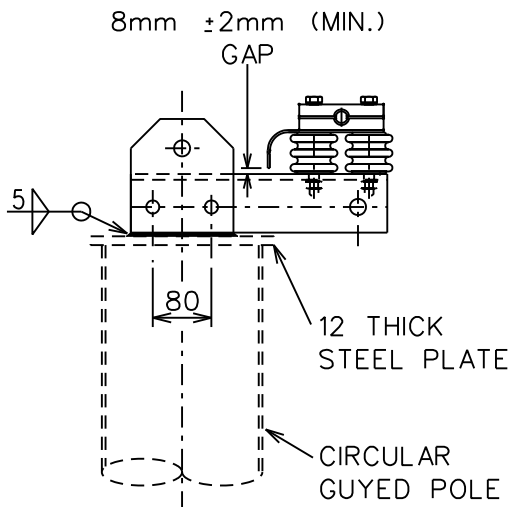


TOP VIEW ON CAP PLATE

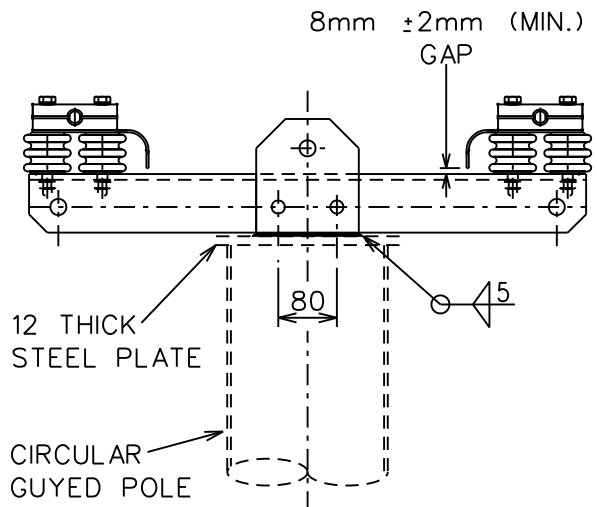
B

B

OR



FRONT VIEW ON SECTION A-A



FRONT VIEW ON SECTION A-A

C

C

D

D

SINGLE SHIELDWIRE BRACKET (SEE D-DT-7048 FOR MANUFACTURING DETAILS)

DOUBLE SHIELDWIRE BRACKET (SEE D-DT-7048 FOR MANUFACTURING DETAILS)

5	TITLE BLOCK SHOULD READ INSULATED AND TABLE ITEMS 1:2 CORRECTED	P.A.T.	S. MASHABA	24.10.11		
4	RETIC. REMOVED AND DIST.TECH ADDED TO TITLE BLOCK, EARTHWIRE CHANGED TO SHIELDWIRE AND ARCHING HORN CORRECTED ON VIEW 'A-A'	P.A.T.	S. MASHABA	06.04.09		
3	ARMOUR ROD REFERENCE NO REVISED	SLR	RAB	AB	JULY 2004	
REV	REVISION DESCRIPTION	BY	CHKD	AUTH	DATE	PROJECT NO.

E

E

AUTH:	A BEKKER
DATE:	JAN 2004
CHKD:	RAB
DATE:	JAN 2004
DRAWN:	LMP
DATE:	APRIL 2000

DISTRIBUTION TECHNOLOGY
 SUB-TRANSMISSION LINES
 INTERMEDIATE POLE TOP AND
 DOUBLE OR SINGLE SHIELDWIRE BRACKET
 INSULATED ASSEMBLY (RIDGID) - DETAILS

D-DT-7327

SET	SHEET	REVISION
2	2	5

F

F

1

2

3

4 A4L