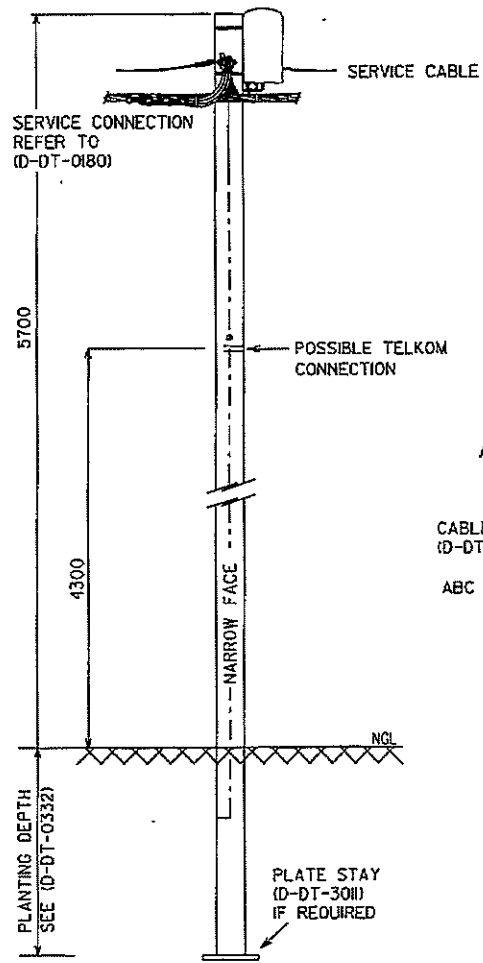
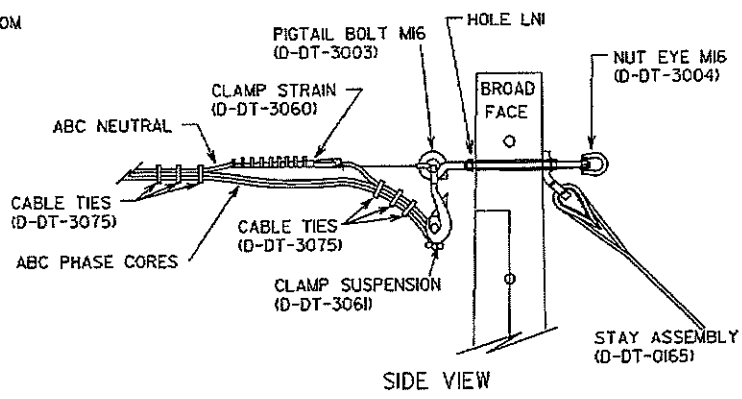


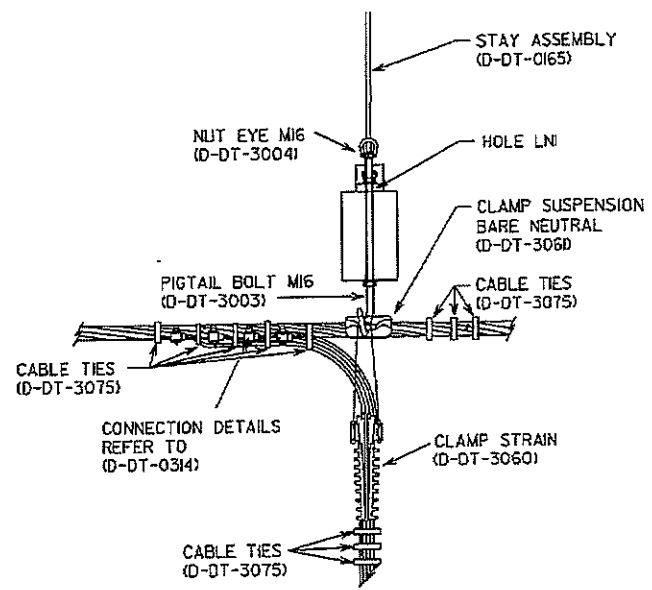
A
B
C
D
E
F



7m POLE T-OFF



SIDE VIEW



PLAN VIEW

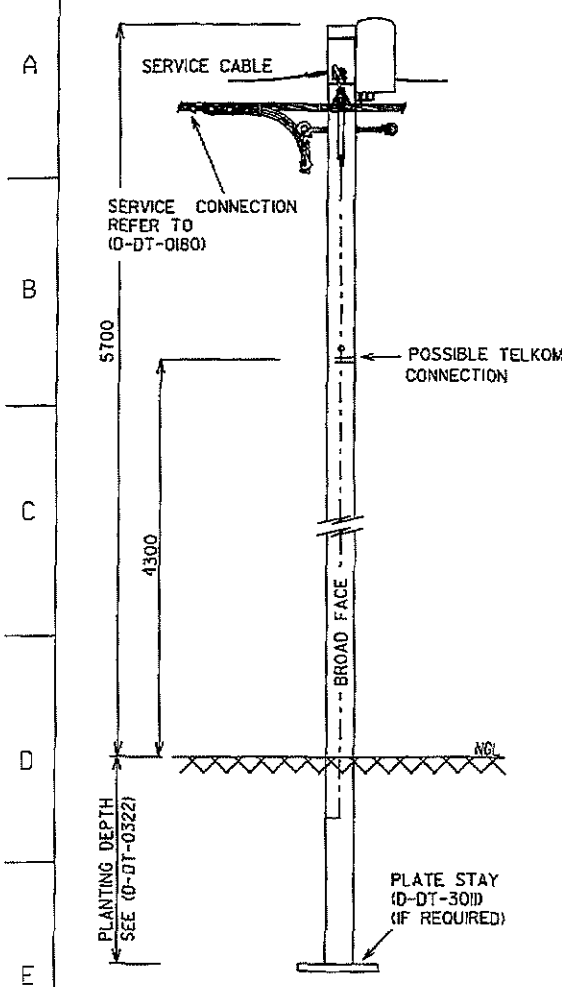
- NOTE :
1. EARTHING REQUIREMENTS SEE PART 2.
 2. IF DOUBLE BUNDLES ARE USED - INSTALL MV STAYS (D-DT-0265)
 3. FOR POLE HOLE POSITIONS REFER TO D-DT-0002

6	LOGO CHANGED AS PER NEW CORPORATE LD.	D.D.N.	P.A.V.	J.SCHOLTZ	29.07.04	
5	TITLE CHANGED	CADNET	I.A.F.	I.FERGUSON	07.07.97	
4	VARIOUS AMMENDMENTS MADE	P.A.V.	J.SWAN	P.CROWDY	20.11.95	
REV	REVISION DESCRIPTION	BY	CHKD	AUTH	DATE	PROJECT NO.

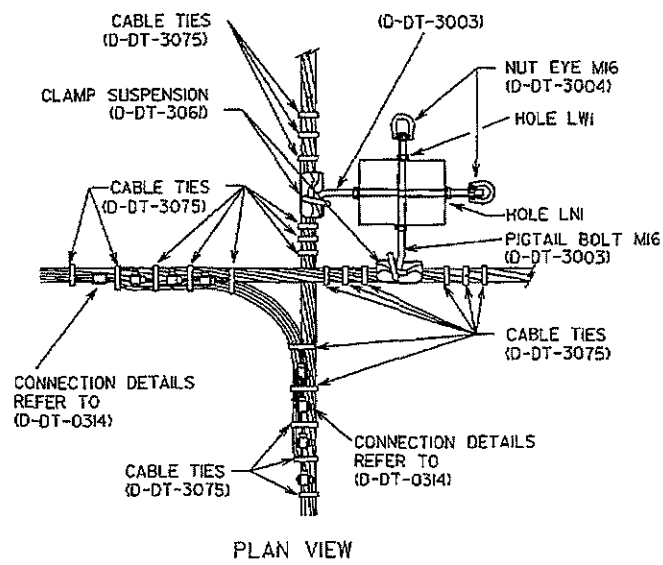
AUTH: S.A.GILLIERS	
DATE: 10.01.94	
CHKD: N.J.V.R.	
DATE: 01.03.93	
DRAWN: E.C.R. S.T.POOK	
DATE: 2.09.91	

ESKOM
 LV RETICULATION
 THREE PHASE BARE NEUTRAL ABC
 T-OFF ASSEMBLY FROM INTERMEDIATE
 CONCRETE POLE

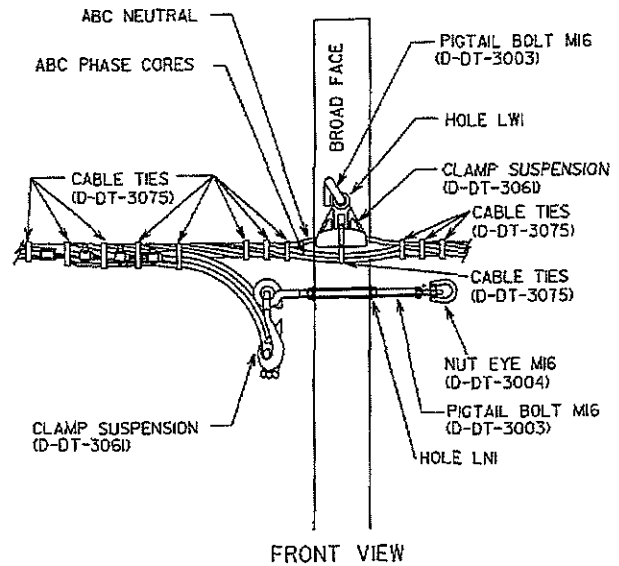
D-DT-0140	SET	SHEET	REVISION
	1	1	6



7m POLE CROSS INTERMEDIATE ASSEMBLY



PLAN VIEW



FRONT VIEW

- NOTE :
1. EARTHING REQUIREMENTS SEE PART 2
 2. IF TWO ABC BUNDLES ARE USED INSTALL MV STAYS (D-DT-0265)
 3. FOR POLE HOLE POSITIONS REFER TO D-DT-0002.

6	LOGO CHANGED AS PER CORPORATE LD.	D.D.N.	P.A.V.	J.SCHOLTZ	29.07.04	
5	TITLE CHANGED		P.A.V.	I.A.F.	I.FERGUSON	07 07.1997
4	VARIOUS AMMENDMENTS MADE		P.A.V.	J.SWAN	P.CROWDY	16 11.1995
REV	REVISION DESCRIPTION	BY	CHKD	AUTH	DATE	PROJECT NO.

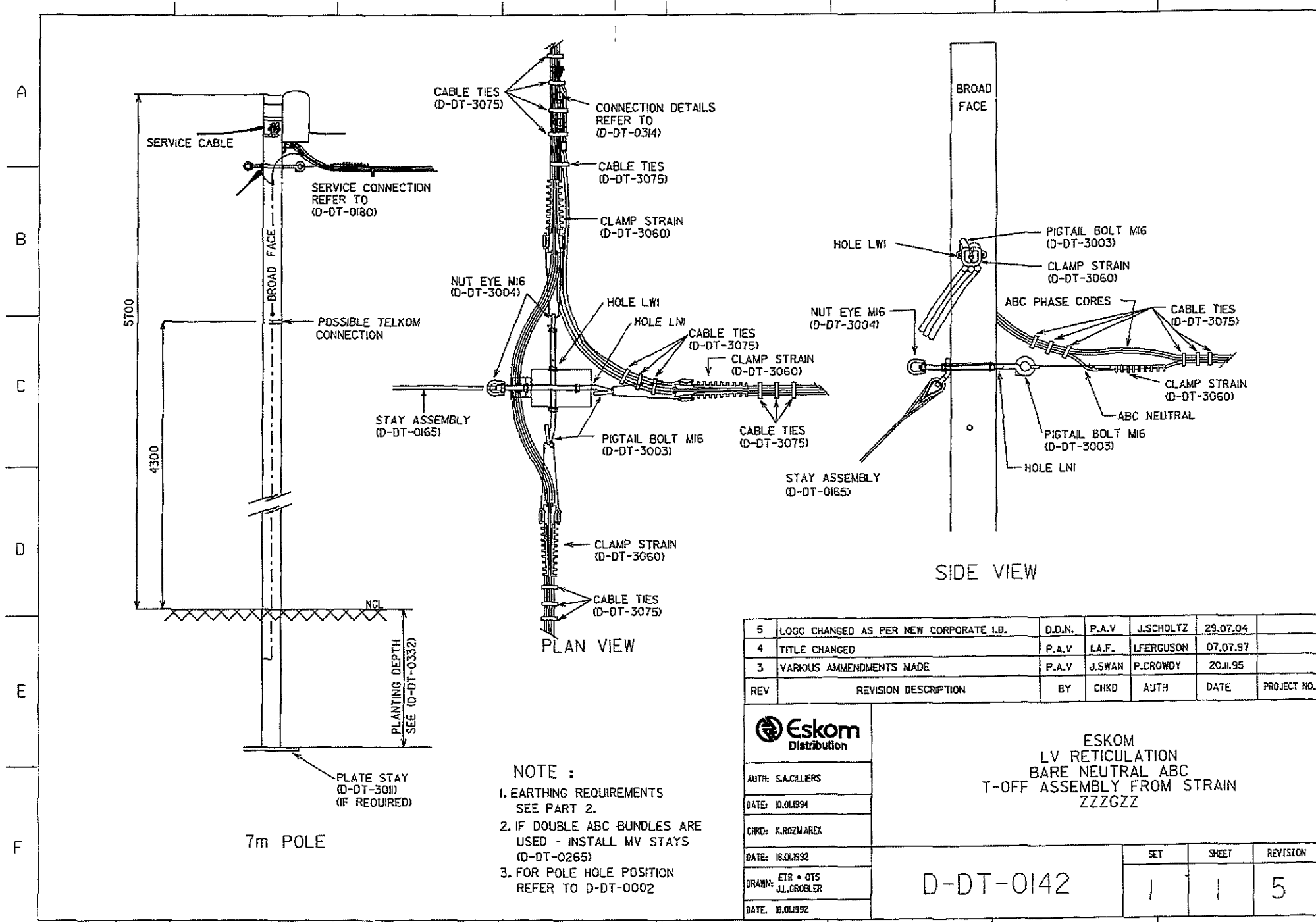


AUTH: S.A.OLLIERIS
 DATE: 10.01.1994
 CHKD: N.J.V.R.
 DATE: 01.03.1993
 DRAWN: E.C.R.
 DATE: 2.09.1991

ESKOM
 LV RETICULATION
 THREE PHASE BARE NEUTRAL ABC
 CROSS INTERMEDIATE ~
 INTERMEDIATE ASSEMBLY
 CONCRETE POLE

D-DT-0141

SET	SHEET	REVISION
1	1	6



5	LOGO CHANGED AS PER NEW CORPORATE I.D.	D.D.N.	P.A.V	J.SCHOLTZ	29.07.04	
4	TITLE CHANGED	P.A.V	I.A.F.	LFERGUSON	07.07.97	
3	VARIOUS AMMENDMENTS MADE	P.A.V	J.SWAN	P.CROWDY	20.11.95	
REV	REVISION DESCRIPTION	BY	CHKD	AUTH	DATE	PROJECT NO.

AUTH: S.A.CILLIERS	
DATE: 10.01.1994	
CHKD: K.ROZMARSK	
DATE: 18.01.1992	
DRAWN: ETR • OTS J.L.GROBLER	
DATE: 18.01.1992	

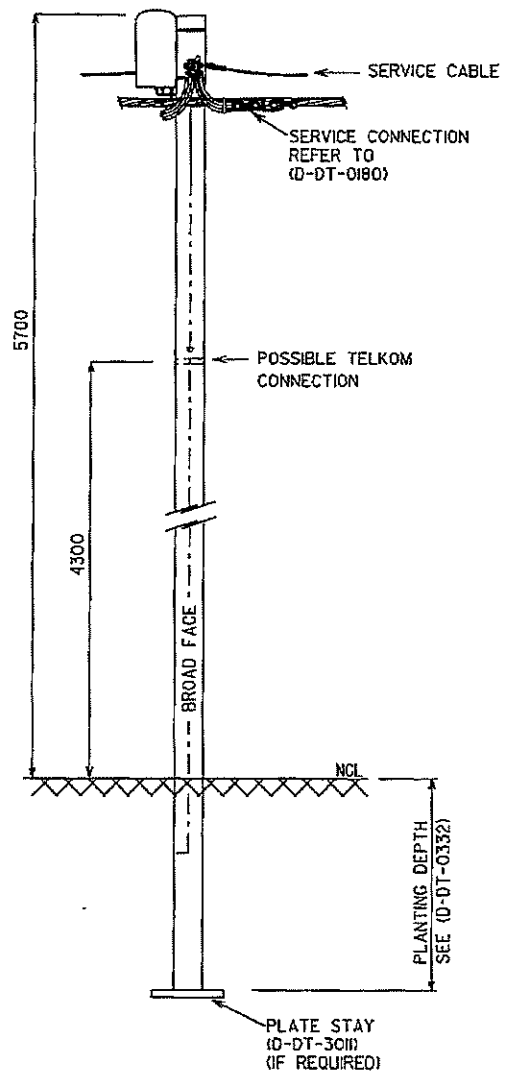
ESKOM
 LV RETICULATION
 BARE NEUTRAL ABC
 T-OFF ASSEMBLY FROM STRAIN
 ZZZZZZ

D-DT-0142	SET	SHEET	REVISION
	1	1	5

- NOTE :**
1. EARTHING REQUIREMENTS SEE PART 2.
 2. IF DOUBLE ABC BUNDLES ARE USED - INSTALL MV STAYS (D-DT-0265)
 3. FOR POLE HOLE POSITION REFER TO D-DT-0002

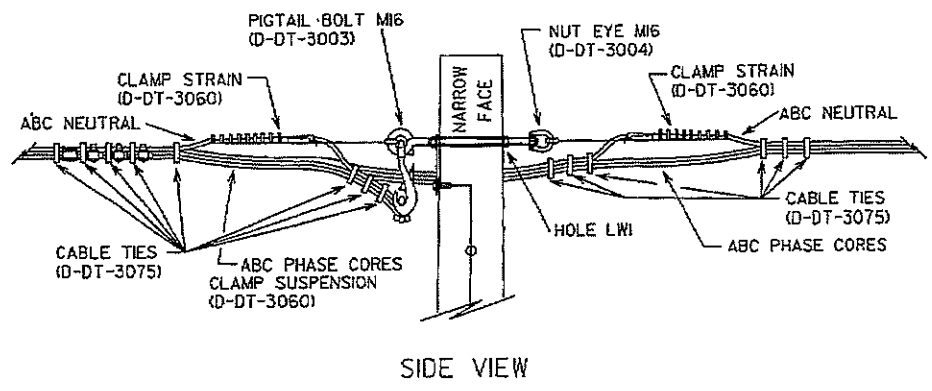
7m POLE

A
B
C
D
E
F

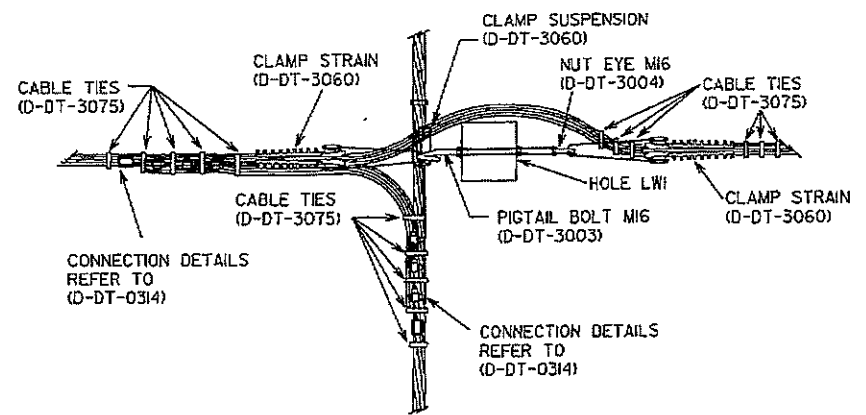


7m POLE T-OFF

- NOTE :**
1. EARTHING REQUIREMENTS SEE PART 2.
 2. IF TWO ABC BUNDLES ARE USED - INSTALL MV STAYS (D-DT-0265)
 3. FOR POLE POSITIONS REFER TO D-DT-0002



SIDE VIEW



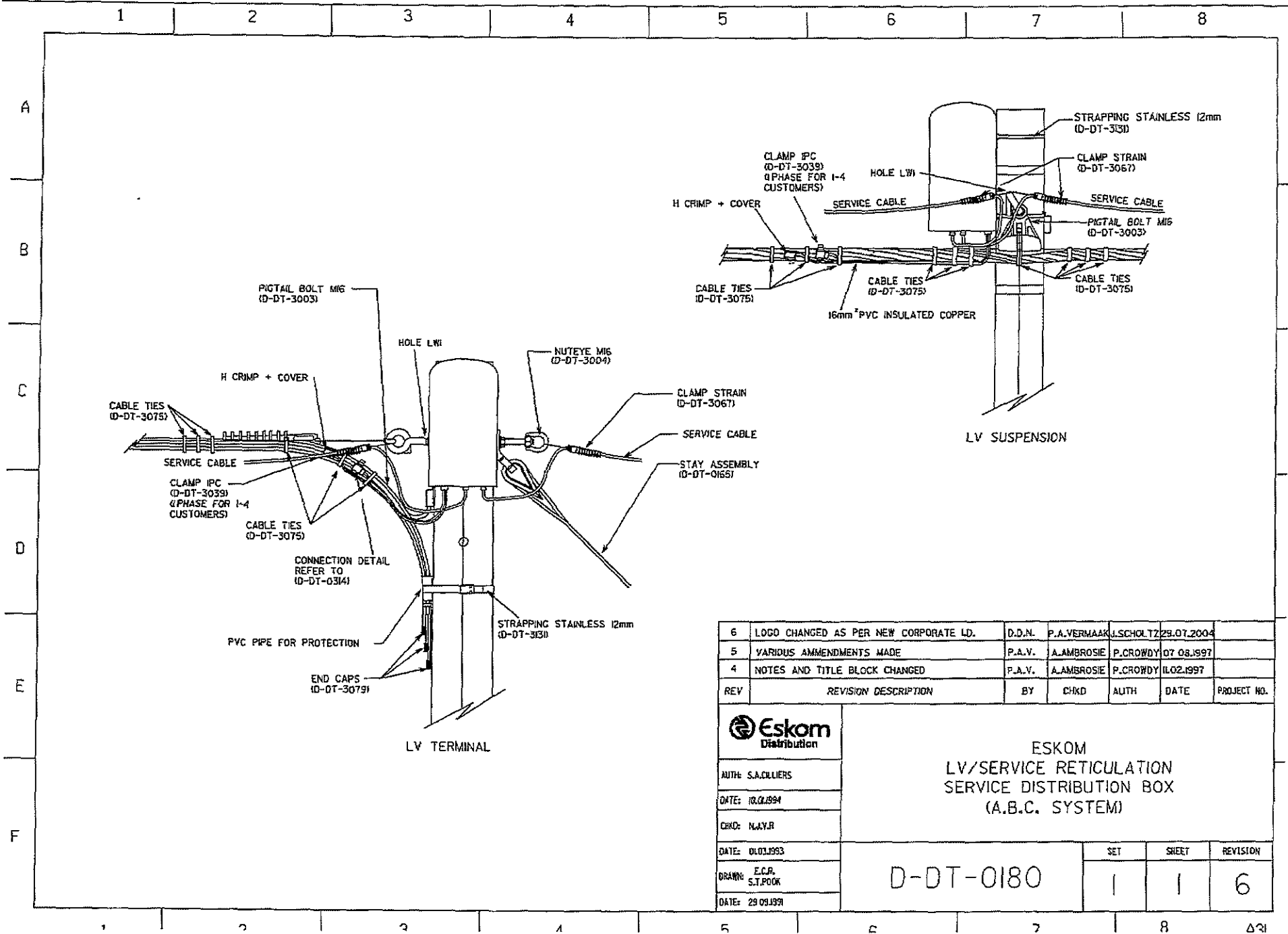
PLAN VIEW

5	LOGO CHANGED AS PER NEW CORPORATE I.D.	D.D.N.	P.A.V.	J.SCHOLTZ	29.07.2004	
4	TITLE CHANGED	CADNET	L.A.F.	I.FERGUSON	07.07.1997	
3	VARIOUS AMMENDMENTS MADE		P.A.V.	J.SWAN	P.CROWDY	20.01.1995
REV	REVISION DESCRIPTION	BY	CHKD	AUTH	DATE	PROJECT NO

AUTH	S.A.COLLERS
DATE	10.01.1994
CHKD:	K.ROZMARAK
DATE:	27.01.1992
DRAWN:	ETR • OTS J.L.GROBLER
DATE:	27.01.1992

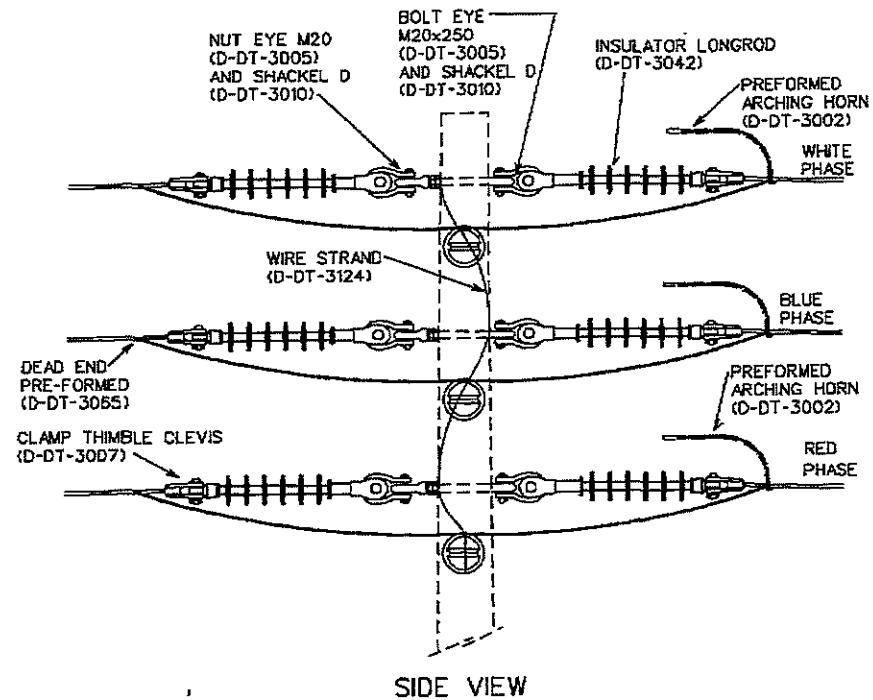
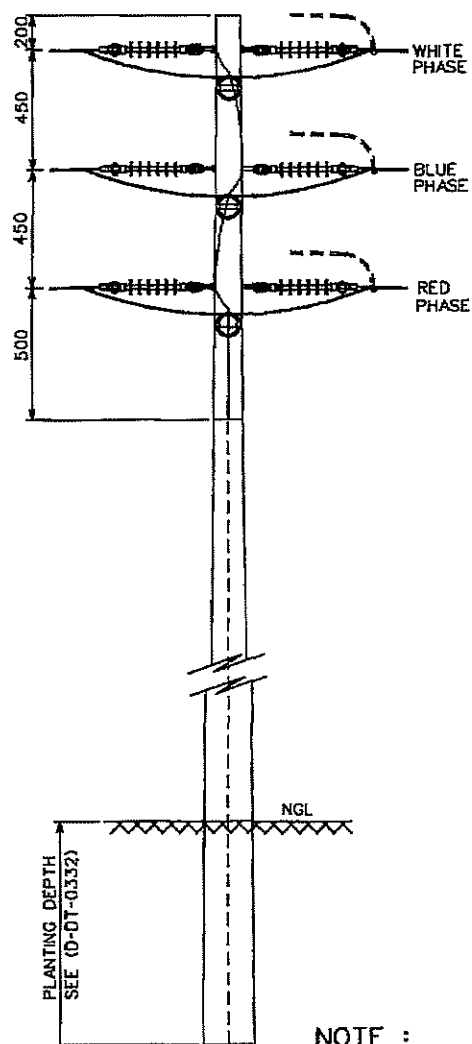
ESKOM
LV RETICULATION
THREE PHASE BARE NEUTRAL ABC
CROSS INTERMEDIATE-STRAIN ASSEMBLY
CONCRETE POLE

D-DT-0143	SET	SHEET	REVISION
	1	1	5



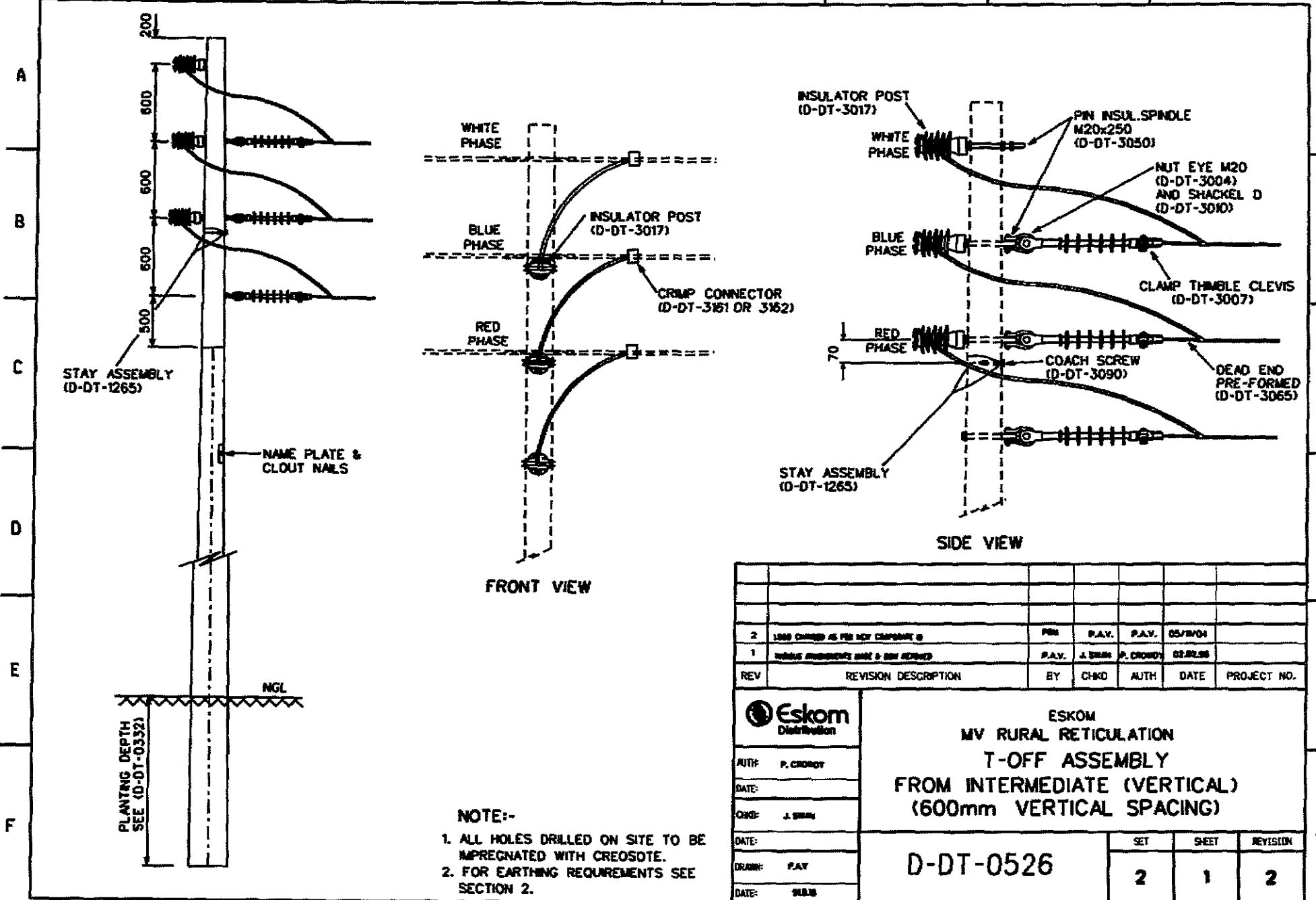
6	LOGO CHANGED AS PER NEW CORPORATE LD.	D.D.N.	P.A.VERMAAK	J.SCHOLTZ	29.07.2004	
5	VARIOUS AMMENDMENTS MADE	P.A.V.	A.AMBROSIE	P.CROWDY	07.08.1997	
4	NOTES AND TITLE BLOCK CHANGED	P.A.V.	A.AMBROSIE	P.CROWDY	11.02.1997	
REV	REVISION DESCRIPTION	BY	CHKD	AUTH	DATE	PROJECT NO.

		ESKOM LV/SERVICE RETICULATION SERVICE DISTRIBUTION BOX (A.B.C. SYSTEM)				
AUTH: S.A.CLIERS						
DATE: 10.02.1994						
CHKD: N.A.Y.R						
DATE: 01.03.1993						
DRAWN: E.C.R. S.T.POOK		D-DT-0180		SET	SHEET	REVISION
DATE: 29.09.1991				1	1	6



- NOTE :**
1. FOR MAX. SPAN LENGTH SEE ANNEX D.
 2. IF STAYS ARE USED THE BIL DOWN-WIRE IS NOT REQUIRED.
 3. ARCHING HORNS AT ROAD CROSSINGS ONLY.

4	96/02/28	FIRST ISSUE, POST INSULATORS ADDED, VARIOUS AMENDMENTS MADE & BOM REVISED	P.A.V.		
3	95/30/2	B.O.M. ALTERED	R.V.R.	N.V.R.	
2	95/01/20	B.O.M. ADDED	N.V.M.	N.V.R.	
1	92/01/20	# 350 PLATE ADDED, TITLE ALTERED	J.L.G.	N.V.R.	
0		FIRST ISSUE / EERSTE UITREKING			
REV	WTH MAG	DATE DATUM	REVISION/WEKSES		BY DEUR
			INDEX REF/TOEKENING	CHD NAGES	REFERENCE DRAWING VERPINSINGTEKENING
ESKOM			ESKOM		
MV RETICULATION			MV RETICULATION		
IN-LINE STRAIN ASSEMBLY			IN-LINE STRAIN ASSEMBLY		
(VERTICAL) (0° - 10°)			(VERTICAL) (0° - 10°)		
(450mm VERTICAL SPACING)			(450mm VERTICAL SPACING)		
APPROVED	P.A.V.	31.01.1996	CAD REF: CHALL/URBAN	D-DT-0510	REV
SCALE: 1:1	N/A		FILE No: 0510	(Sheet 2 of 2)	4

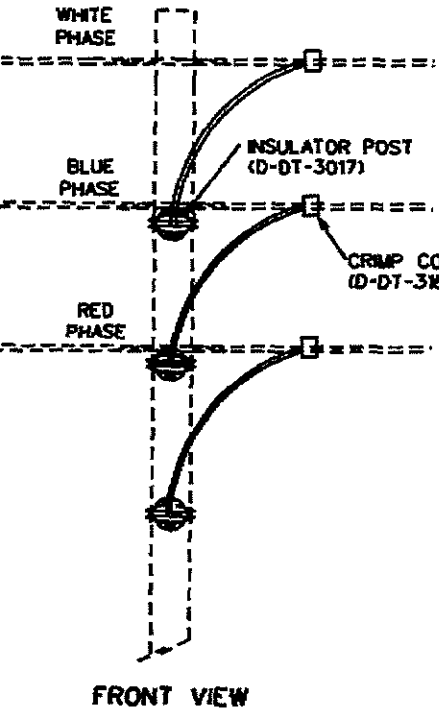


STAY ASSEMBLY (D-DT-1265)

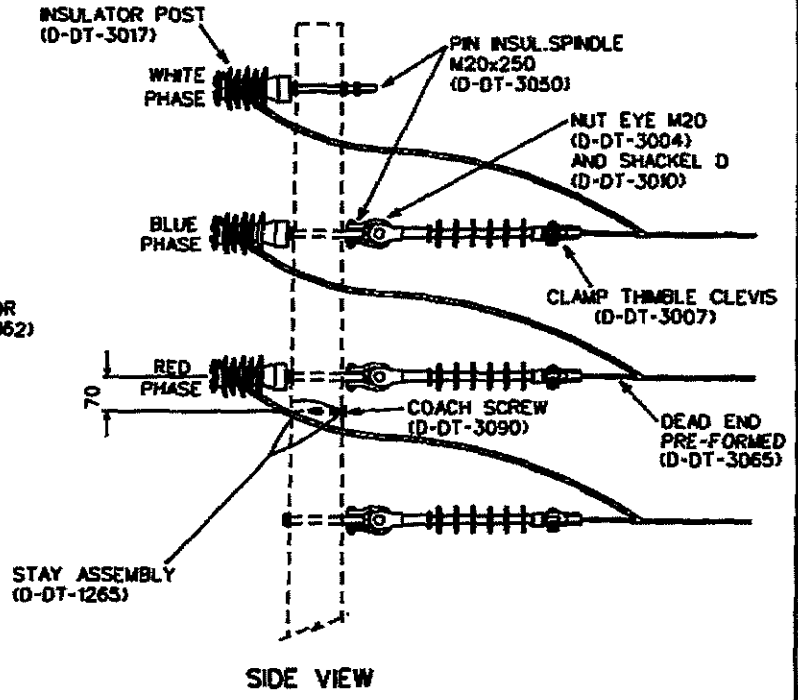
NAME PLATE & CLOUT NAILS

PLANTING DEPTH SEE (D-DT-0332)

NGL



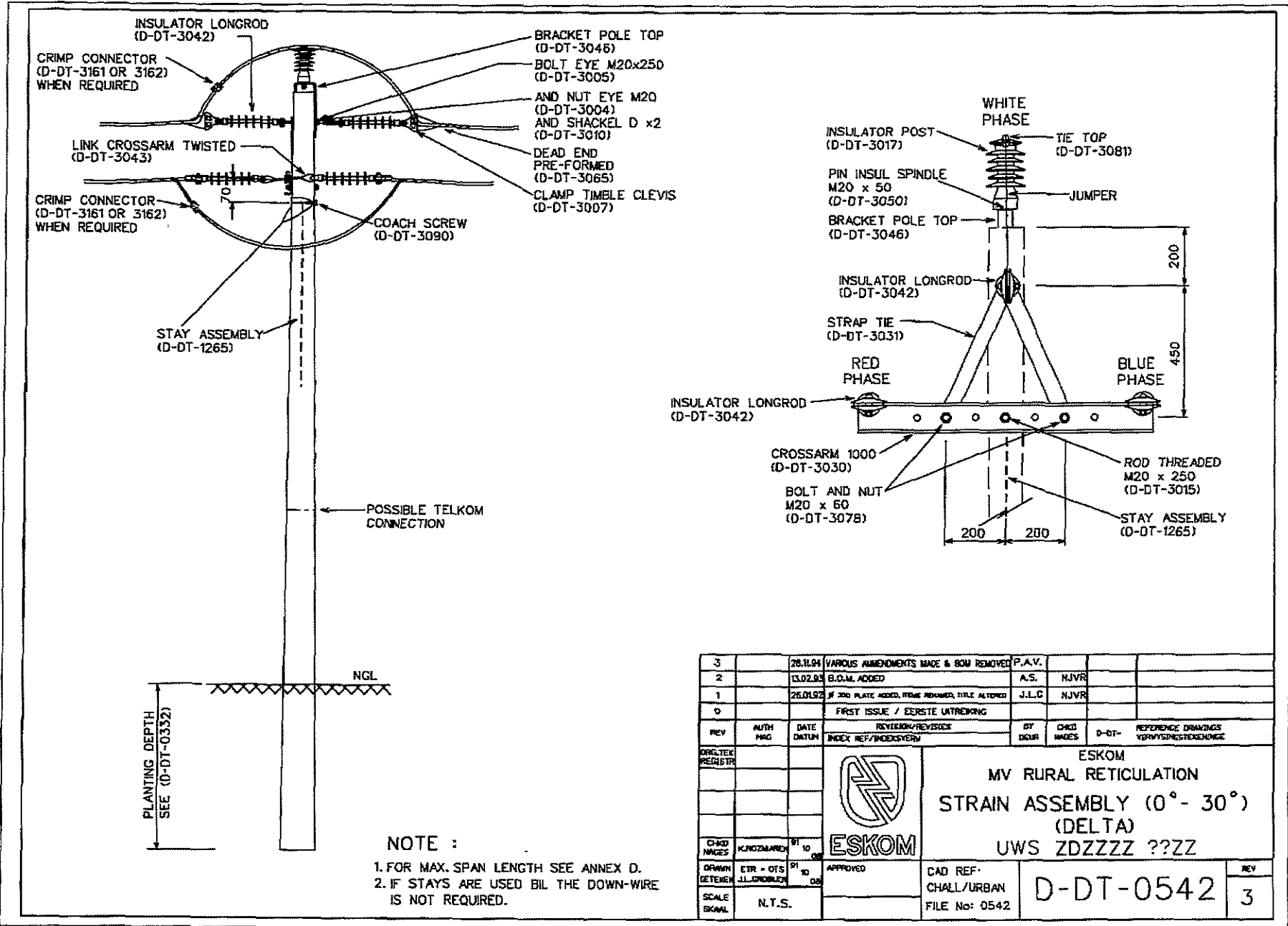
FRONT VIEW



SIDE VIEW


NOTE:-
 1. ALL HOLES DRILLED ON SITE TO BE IMPREGNATED WITH CREOSOTE.
 2. FOR EARTHING REQUIREMENTS SEE SECTION 2.

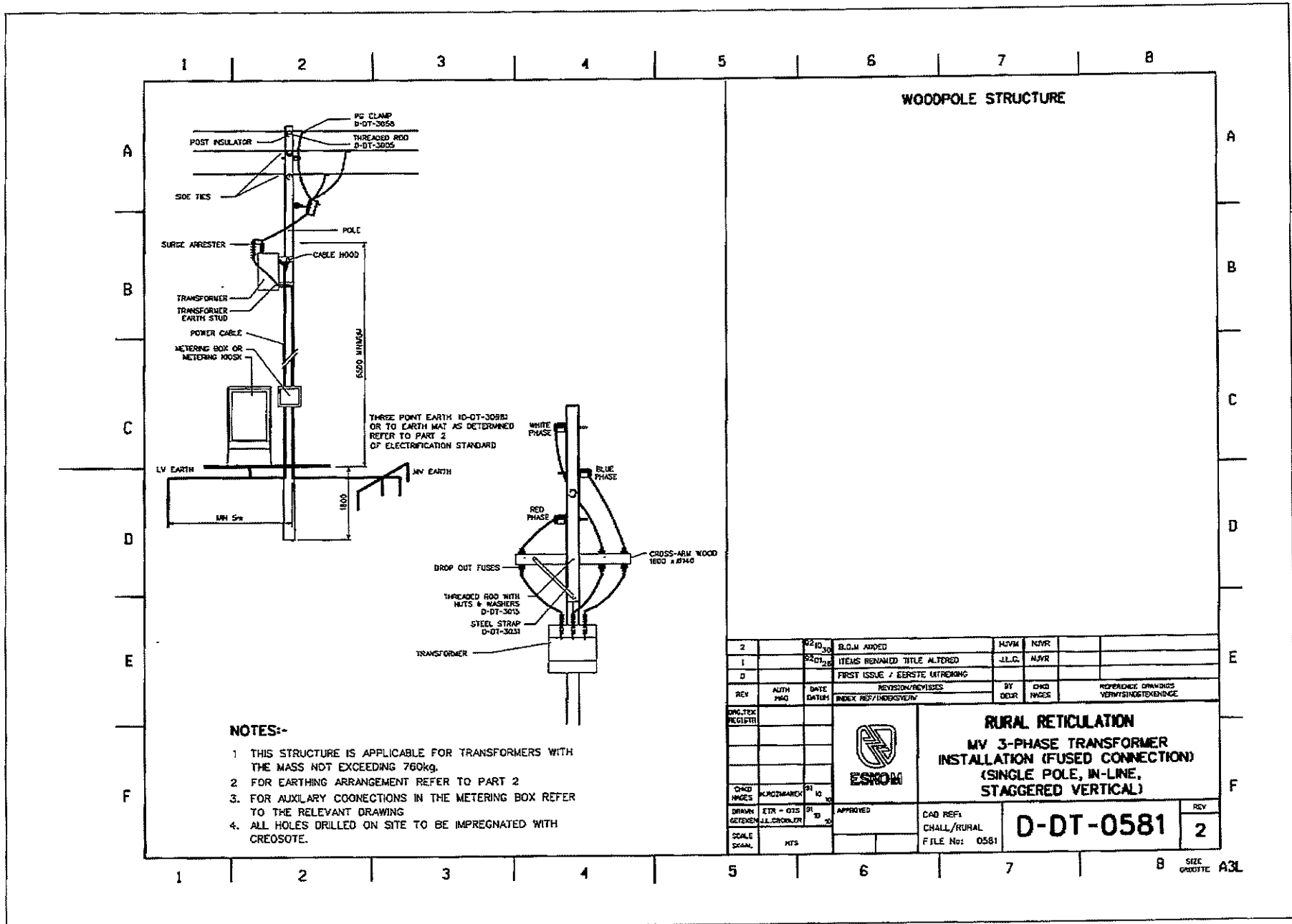
2	LESS CHANGED AS PER NEW COMPONENTS	PN	P.A.V.	P.A.V.	05/11/04	
1	WHOLE ASSEMBLY MADE & NEW REQUIRED	P.A.V.	J. SHAN	P. CRONDY	01.02.98	
REV	REVISION DESCRIPTION	BY	CHKD	AUTH	DATE	PROJECT NO.
		ESKOM MV RURAL RETICULATION T-OFF ASSEMBLY FROM INTERMEDIATE (VERTICAL) (600mm VERTICAL SPACING)				
AUTH: P. CRONDY DATE: CRND: J. SHAN DATE: DRAWN: P.A.V. DATE: 04.03		D-DT-0526		SET 2	SHEET 1	REVISION 2



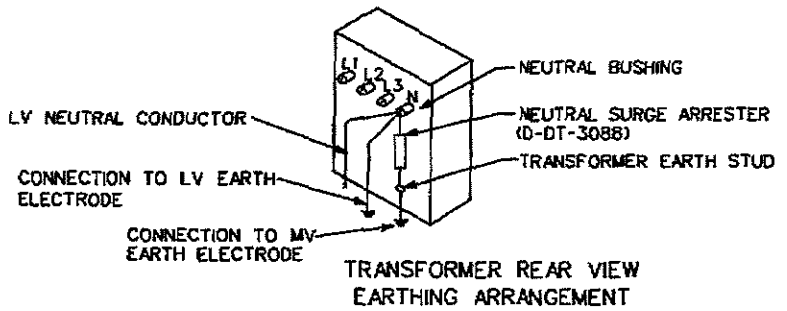
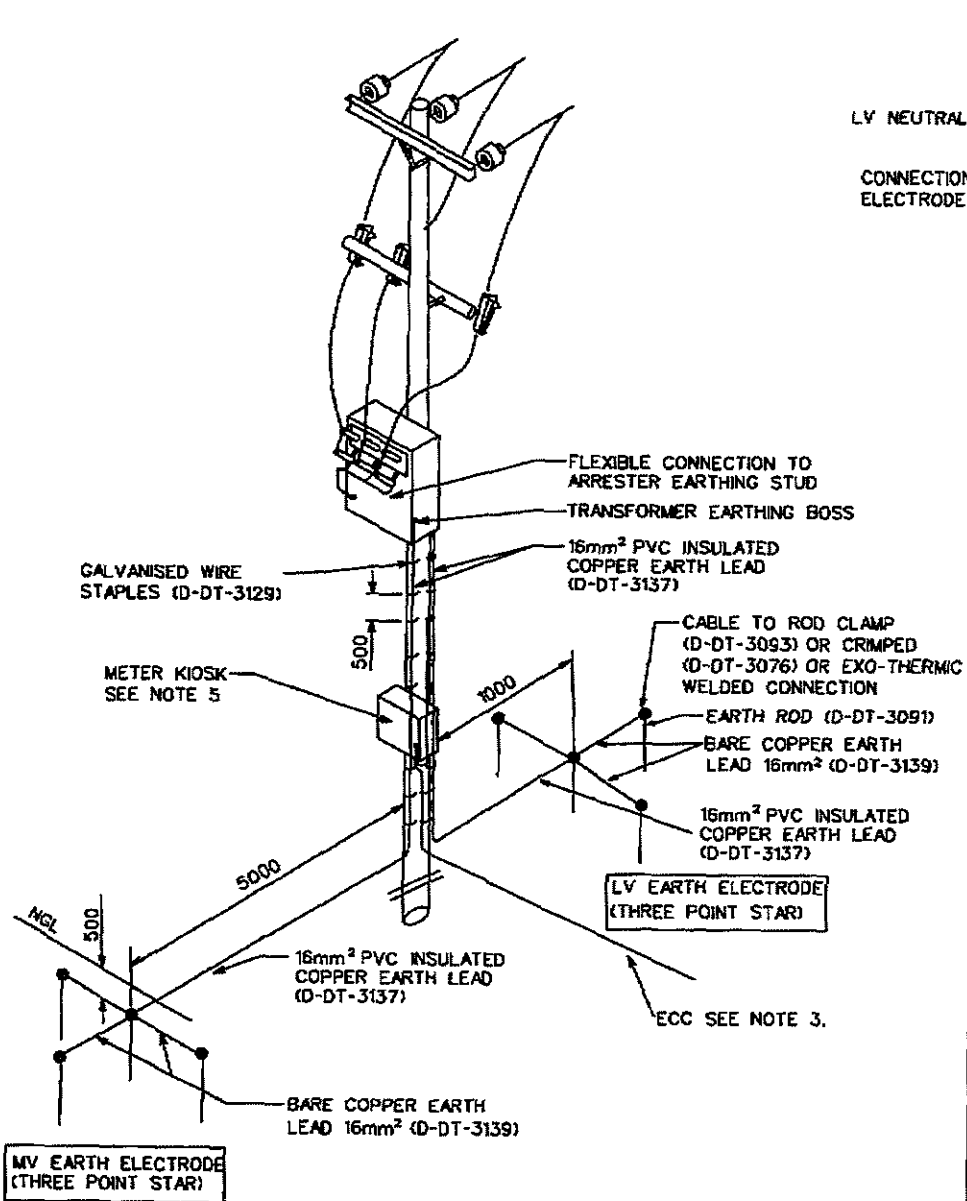
NOTE :

1. FOR MAX. SPAN LENGTH SEE ANNEX D.
2. IF STAYS ARE USED BIL THE DOWN-WIRE IS NOT REQUIRED.

3		28.11.04	VARIOUS AMENDMENTS MADE & BOU REMOVED	P.A.V.			
2		13.02.93	B.O.M. ADDED	A.S.	NJVR		
1		26.01.92	IF 3RD PLATE ADDED, FROM DIMMED, TITLE ALTERED	J.L.C.	NJVR		
0			FIRST ISSUE / EERSTE UITWERKING				
REV	AUTH	DATE	REVISION/REVISED	BY	CHKD	D-DT-	REFERENCE DRAWINGS
			INDEX REF/INDEX/VERW	DOOR	MADES		VERVYSINGSTENOENDE
				ESKOM MV RURAL RETICULATION STRAIN ASSEMBLY (0° - 30°) (DELTA) UWS ZDZZZZ ????			
CHKD	KROZMAREN	01 10 04	APPROVED	CAD REF:		D-DT-0542	3
DRYNN	ETR - OTS	01 10 04		CHALL/URBAN			
SCALE	N.T.S.			FILE No: 0542			



A
B
C
D
E
F



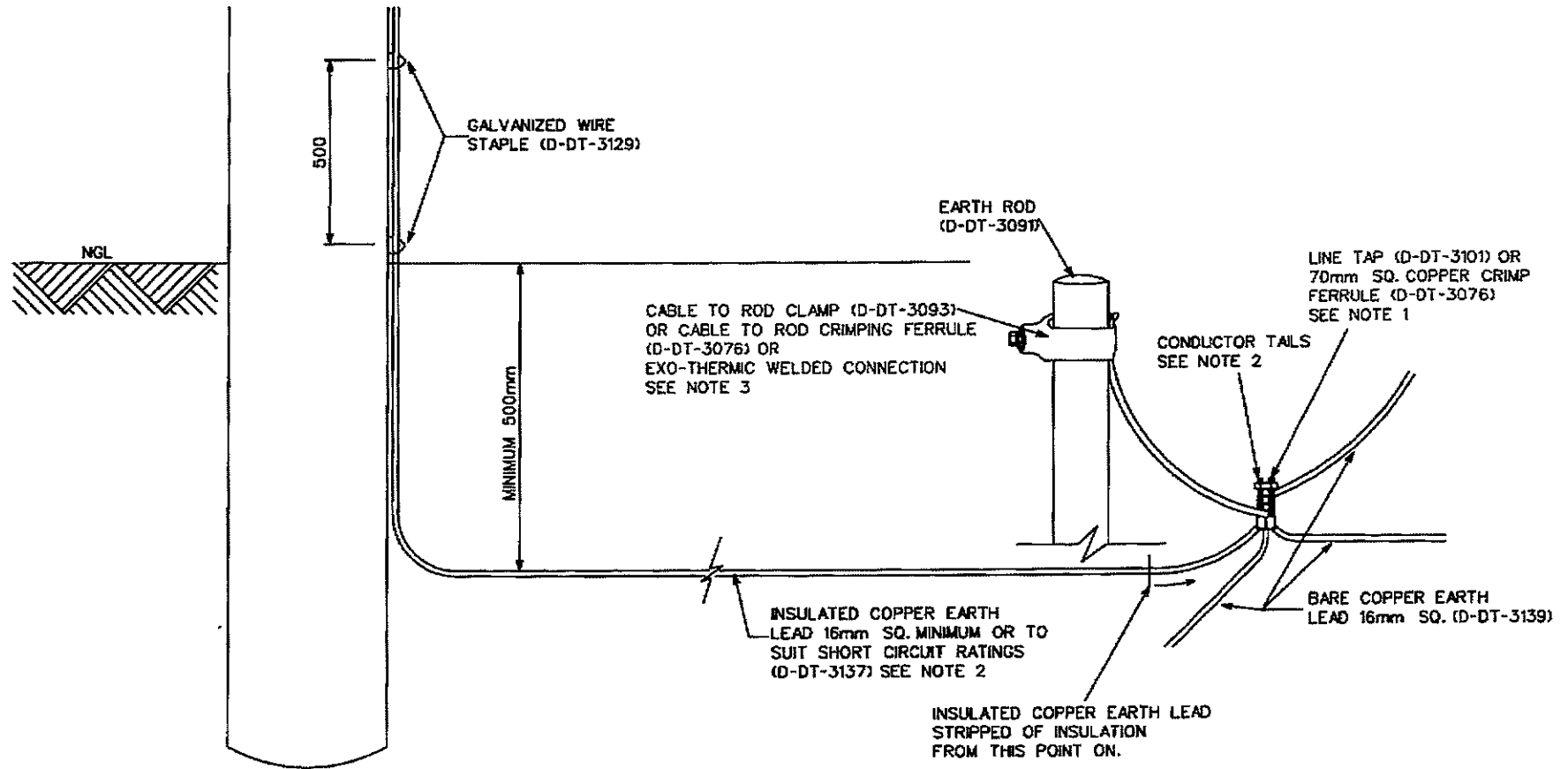
NOTES:-

1. THE STEELWORK, TRANSFORMER TANK AND MV SA'S ARE TO BE BONDED AND CONNECTED TO THE MV EARTH ELECTRODE.
2. THE TRANSFORMER NEUTRAL SA IS TO BE CONNECTED BETWEEN THE LV NEUTRAL BUSHING AND THE TRANSFORMER EARTHING BOSS.
3. THE CUSTOMERS EARTHING CONTINUITY CONDUCTOR (ECC) SHOULD NOT BE SMALLER THAN HALF THE CROSS SECTIONAL AREA OF THE LARGEST CURRENT CARRYING CONDUCTOR OF THE SUPPLY CABLE.
4. A MINIMUM SEPARATION DISTANCE OF 5000mm IS TO BE MAINTAINED BETWEEN THE MV & LV EARTH ELECTRODES & BETWEEN THE UNINSULATED PART OF THE MV EARTH ELECTRODE & THE CUSTOMER'S ECC.
5. REFER TO SERVICES STANDARD PART 8 SECTION 3 FOR DETAILED DRAWINGS OF METER KIOSK BONDING REQUIREMENTS.
6. REFER TO D-DT-0642 FOR DETAIL OF CONNECTIONS WITHIN EARTH ELECTRODES.
7. REFER TO D-DT-0630 FOR THE SCHEMATIC PROTECTION AND EARTHING DIAGRAM.

REV	REVISION DESCRIPTION	BY	CHKD	AUTH	DATE	PROJECT NO
6	LOGO CHANGED AS PER NEW CORPORATE ID	PERM	T. NCAMBELE		30.08.06	
5	REAR VIEW CLARIFIED AND CONNECTIONS SHOWN FOR WOOD POLES	P.A.V.	T.GILLARD	G.WHYTE	13.07.01	
5	VARIOUS AMMENDMENTS MADE	J.F.S.	AMBROSE	P.CROWDY	22.06.99	
4	ELECTRODE DEPTH CHANGED AND NEW DRAWING ADDED WAS D-DT-0627	P.A.V.	AMBROSE	P.CROWDY	01.02.96	

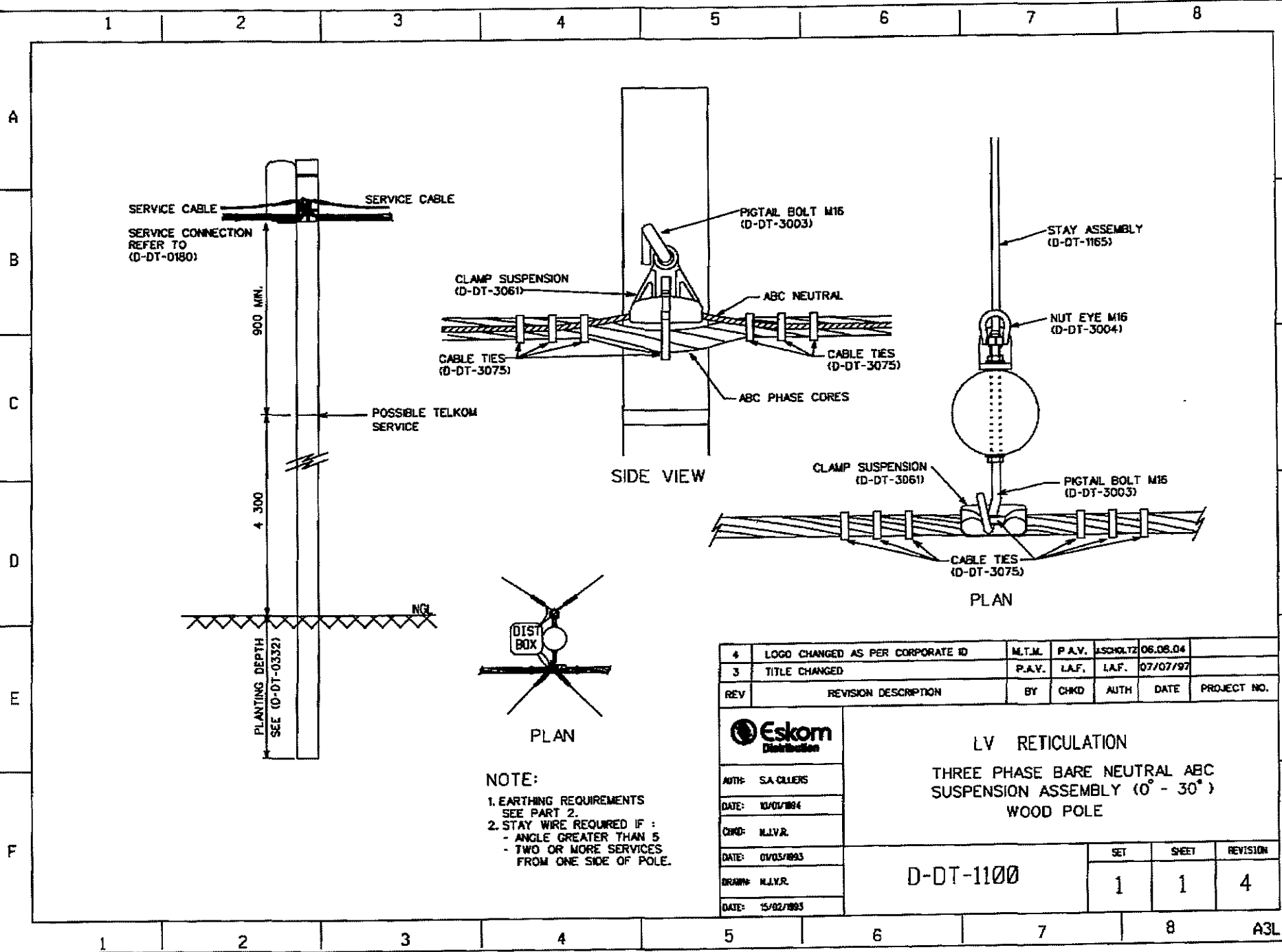
	ESKOM EARTHING TRANSFORMER SINGLE POLE MOUNTING (MV & LV ELECTRODE AT TRANSFORMER)		
	AUTH: S.A. OLLIERS		
	DATE: 10.01.1994		
	CHD: KROZIMAREK		
DATE: 20.10.1991			SET
DRAWN: ETR - GYS J.L. GROBLER	D-DT-0627		SHEET
DATE: 20.10.1991			REVISION
	2	1	7

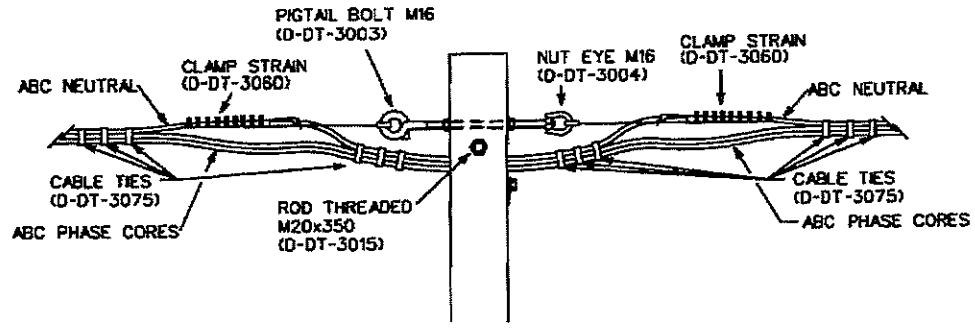
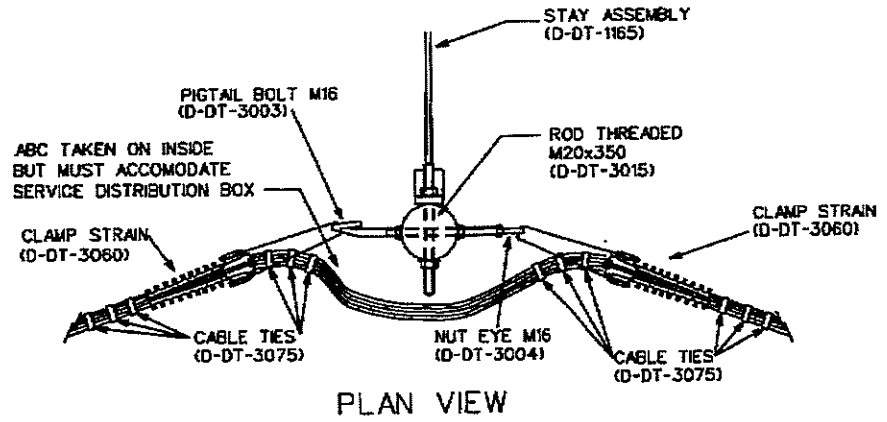
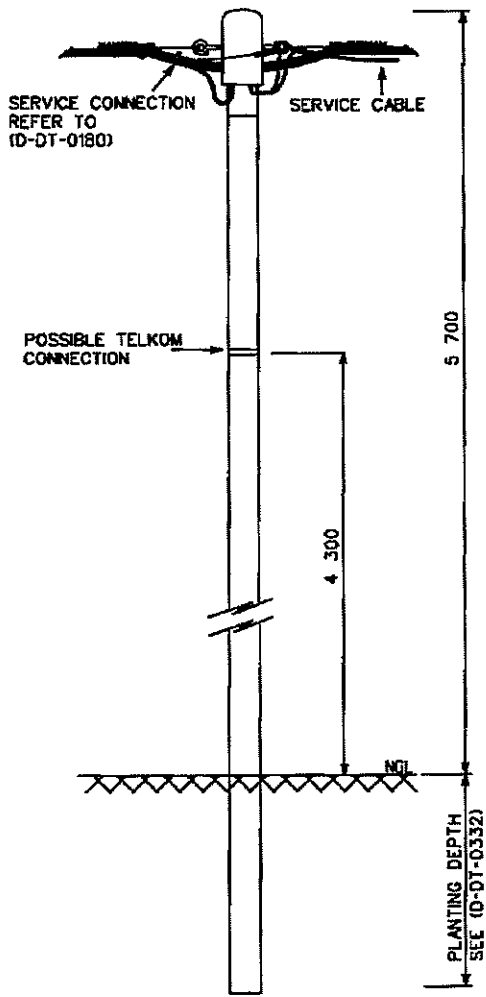
A
B
C
D
E
F



- NOTE :**
1. A DEEP INDENT CRIMP MAY BE USED ON THE 70mm SQ. COPPER FERRULE. THE CONNECTION AT THE MAIN JUNCTION POINT OF A THREE POINT STAR OR ALTERNATIVE ELECTRODE IS CRITICAL. AN EARTH ROD CLAMP (D-DT-3093) IS NOT SUITABLE FOR THIS CONNECTION.
 2. INSULATED 5.19mm DIA. COPPER-CLAD STEEL CONDUCTOR (D-DT-3137) MAY BE USED AS AN EARTH LEAD IN AREAS WHERE COPPER THEFT IS OF CONCERN. WHERE COPPER-CLAD STEEL CONDUCTOR IS USED, THE CONDUCTOR TAILS MUST PROTRUDE FROM THE MAIN JUNCTION POINT CONNECTION BY 100mm.
 3. WHEN USING A CABLE TO ROD CLAMP (D-DT-3093), THE CLAMP BOLT IS TIGHTENED ONTO THE EARTH ROD AND NOT THE COPPER LEAD.
 4. THE INSULATION ON THE 16mm SQ. INSULATED CONDUCTOR FROM THE TRANSFORMER MUST BE STRIPPED BACK TO ENABLE A CONNECTION TO THE FERRULE OR LINE TAP.

2	DESCRIPTION INDICATION CORRECTED	P.A.V.	R. KELLY	24.04.2007		
1	LINE TAP SHOWN INSTEAD OF FERRULE. POSITION OF STRIPPED CONDUCTOR SHOWN & LOGO CHANGED AS PER NEW CORPORATE ID	P.A.V. PBM	I. NKAMBULE	31.07.2006		
REV	REVISION DESCRIPTION	BY	CHKD	AUTH	DATE	PROJECT NO.
		ESKOM EARTHING MV AND LV EARTH ELECTRODES DETAILS				
AUTH: P. CROWDY				SET	SHEET	REVISION
DATE: 19.11.1999				1	1	2
CHKD: A. ABOSIE						
DATE: 19.11.1999						
DRAWN: J.F.S.						
DATE: 29.06.1999						





FRONT VIEW

7m ANGLE STRAIN

NOTE :
 1. EARTHING REQUIREMENTS SEE PART 2.
 2. IF TWO ABC BUNDLES ARE USED - INSTALL MV STAY (D-DT-0265)

5	LOGO CHANGED AS PER CORPORATE ID	M.T.M.	P.A.V.	JSCHULTZ	06.08.04	
4	TITLE CHANGED	CADNET	L.A.F.	L.A.F.	07/07/97	
REV	REVISION DESCRIPTION	BY	CHKD	AUTH	DATE	PROJECT NO.

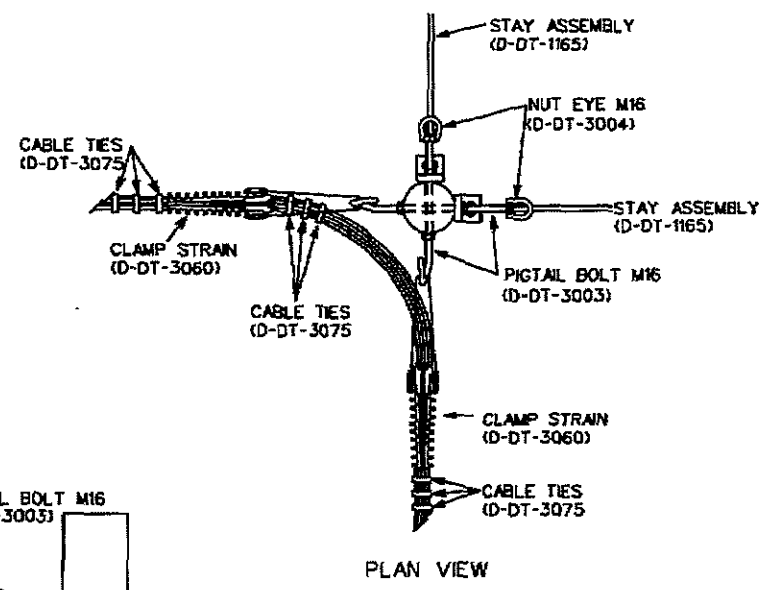
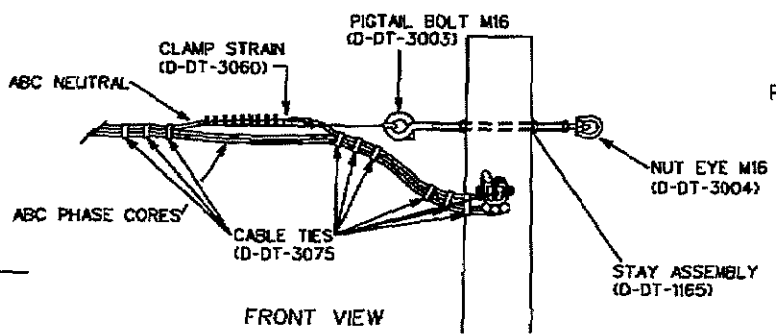
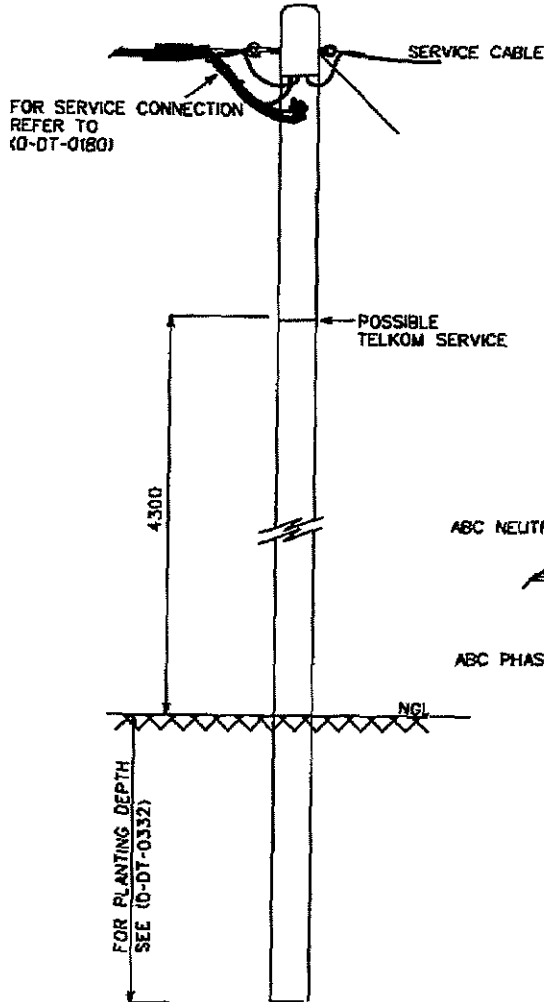


AUTH: SA.OLLERS
 DATE: 10/01/1994
 CHKD: N.J.V.R.
 DATE: 01/03/1993
 DRAWN: ECR
 S.T. POOR
 DATE: 29/08/1991

LV RETICULATION
 THREE PHASE BARE NEUTRAL ABC
 STRAIN ASSEMBLY (0° - 60°)
 WOOD POLE

D-DT-1121

SET	SHEET	REVISION
1	1	5



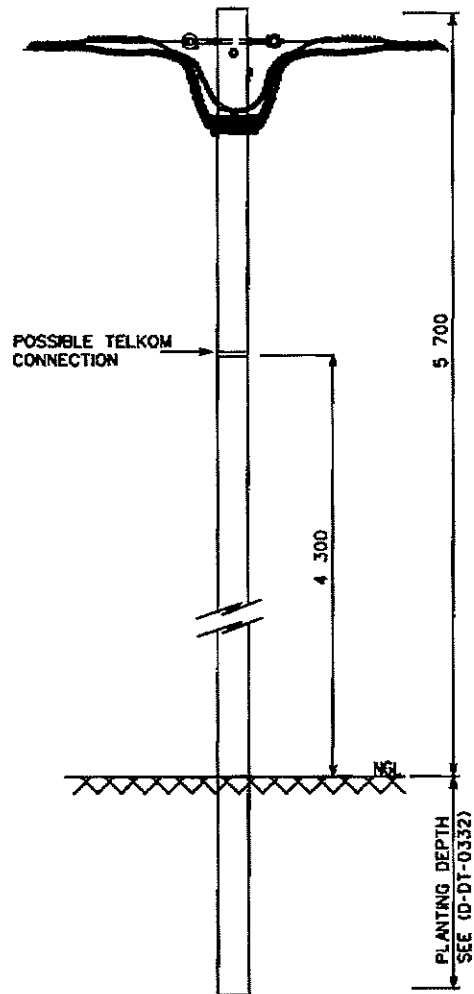
NOTE:

1. EARTHING REQUIREMENTS SEE PART 2.
2. IF DOUBLE ABC BUNDLES ARE USED - INSTALL MV STAYS (D-DT-1265)

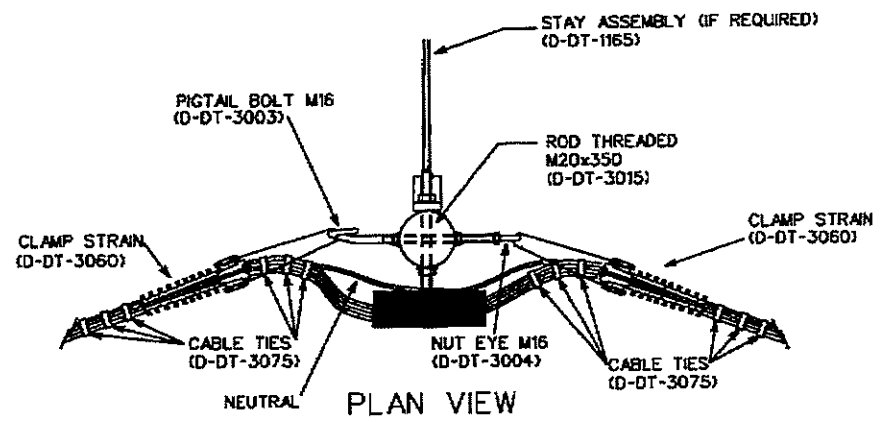
5	LOGO CHANGED AS PER CORPORATE ID	M.T.M.	P.A.V.	LSCHOLZ	06.06.04	
4	TITLE CHANGED	CADNET	I.A.F.	FERROUSON	07.07.97	
REV	REVISION DESCRIPTION	BY	CHKD	AUTH	DATE	PROJECT NO.

	ESKOM LV RETICULATION THREE PHASE BARE NEUTRAL ABC STRAIN ASSEMBLY (60° - 90°) WOOD POLE					
	AUTH: S.A. OLLERS DATE: 10/01/1994 CHKD: NMR DATE: 05/05/1993 DRAWN: DT NRM DATE: 06/02/1993					
	D-DT-1122			SET 1	SHEET 1	REVISION 5

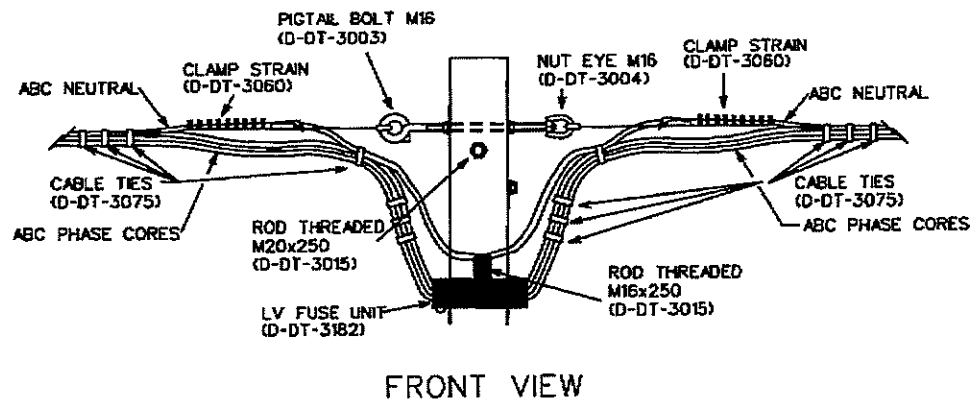
A
B
C
D
E
F



7m ANGLE STRAIN



PLAN VIEW

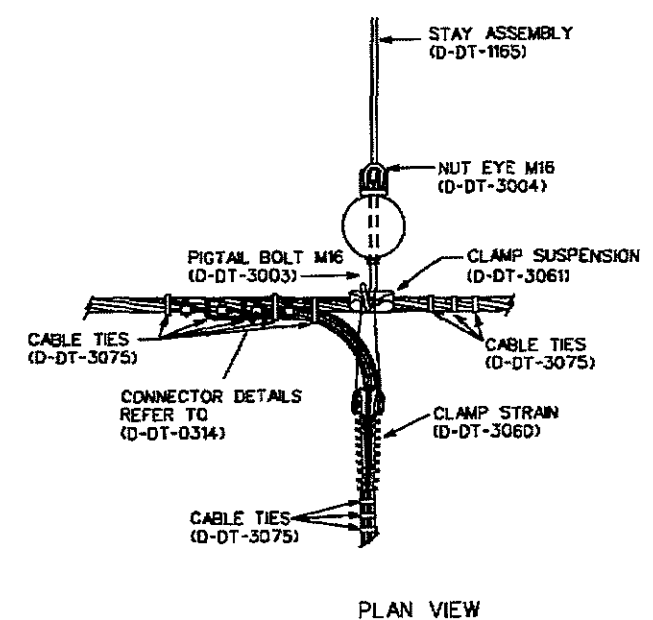
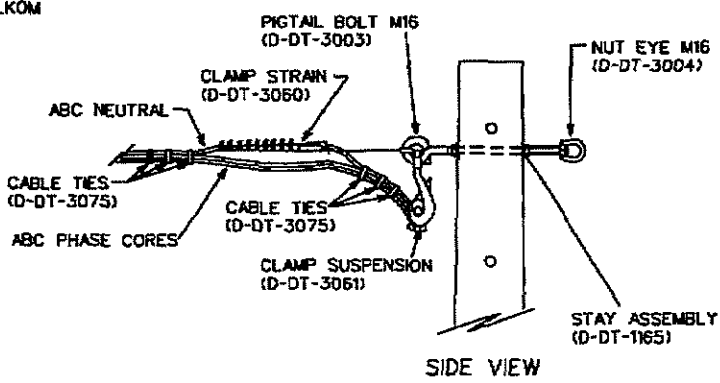
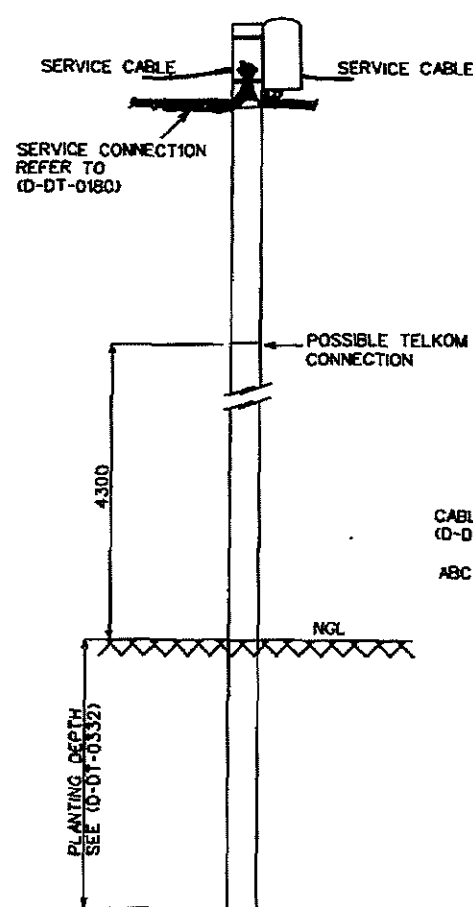


FRONT VIEW

- NOTE :
1. EARTHING REQUIREMENTS SEE PART 2.
 2. IF TWO ABC BUNDLES ARE USED - INSTALL MV STAY (D-DT-0265)
 3. NEUTRAL NOT TO GO THROUGH FUSE UNIT

1	LOGO CHANGED AS PER CORPORATE ID	N.T.M.	P.A.V.	LSCHOLTZ	06.08.04		
0	FIRST ISSUE	CADNET	E.N.	I.A.F.	27/11/97		
REV	REVISION DESCRIPTION	BY	CHKD	AUTH	DATE	PROJECT NO.	
		LV RETICULATION INLINE FUSE UNIT ASSEMBLY WOOD POLE					
D-DT-1139					SET	SHEET	REVISION
					1	1	1

A
B
C
D
E
F

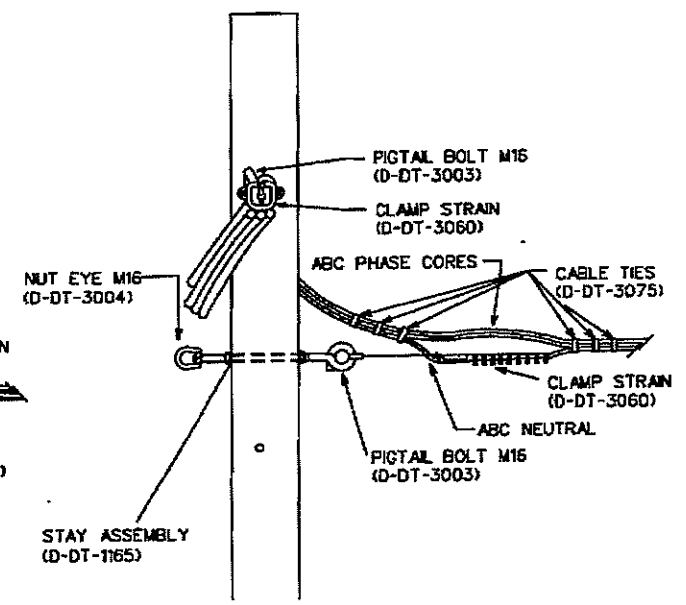
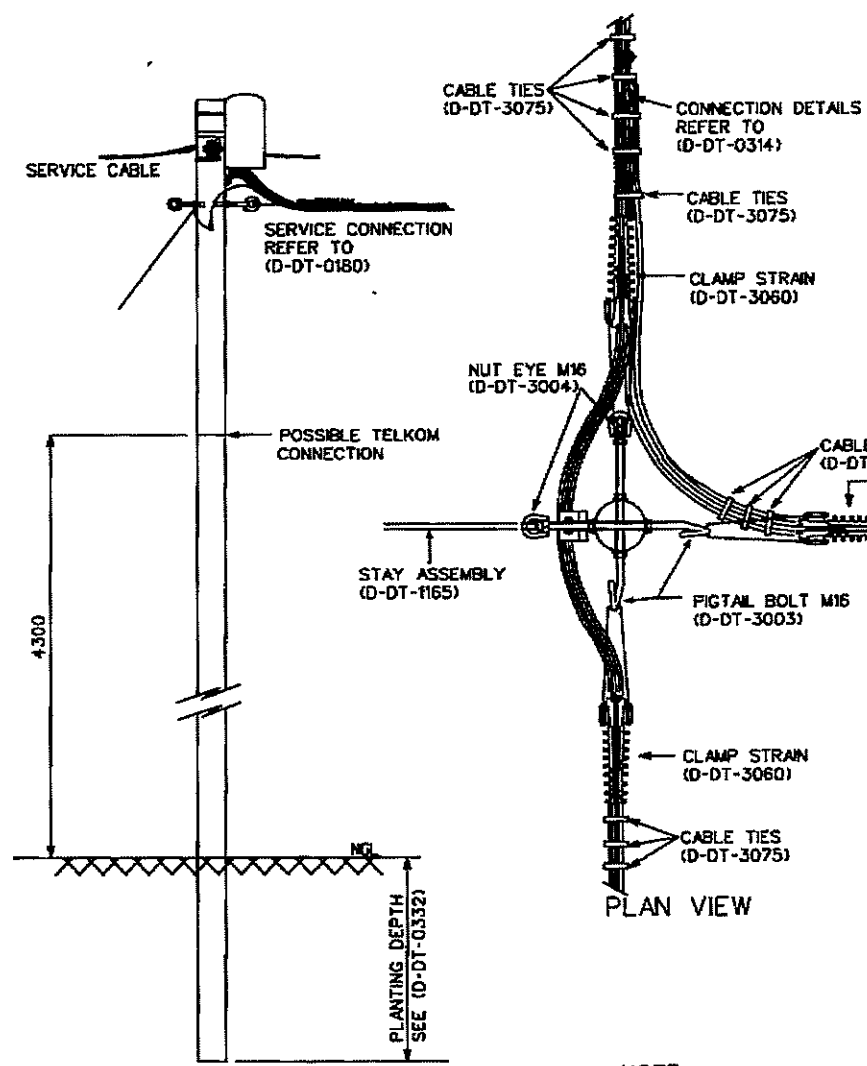


NOTE :
1. EARTHING REQUIREMENTS
SEE PART 2.
2. IF DOUBLE BUNDLES ARE
USED - INSTALL MV STAYS
(D-DT-1265)

5	LOGO CHANGED AS PER CORPORATE ID	M.T.M.	P.A.V.	L.SCHULTZ	06.08.04	
4	TITLE CHANGED	CADNET	L.A.F.	L.A.F.	07/07/97	
REV	REVISION DESCRIPTION	BY	CHKD	AUTH	DATE	PROJECT NO.

	LV RETICULATION THREE PHASE BARE NEUTRAL ABC T-OFF ASSEMBLY FROM INTERMEDIATE WOOD POLE					
	AUTH: S.A. OLIERS					
	DATE: 10/01/1994					
	CHKD: H.L.V.R.					
	DATE: 05/03/1995					
DRAWN: DT H.L.V.R. DATE: 08/02/1993	D-DT-1140			SET	SHEET	REVISION
				1	1	5

A
B
C
D
E
F



SIDE VIEW

PLAN VIEW

NOTE :
1. EARTHING REQUIREMENTS
SEE PART 2.
2. IF DOUBLE ABC BUNDLES ARE
USED - INSTALL MY STAYS
(D-DT-1265)

5	LOGO CHANGED AS PER CORPORATE ID	M.T.M.	P.A.V.	JSCHOLTZ	06.08.04	
4	TITLE CHANGED	CADNET	L.A.F.	L.A.F.	07/07/97	
REV	REVISION DESCRIPTION	BY	CHKD	AUTH	DATE	PROJECT NO.

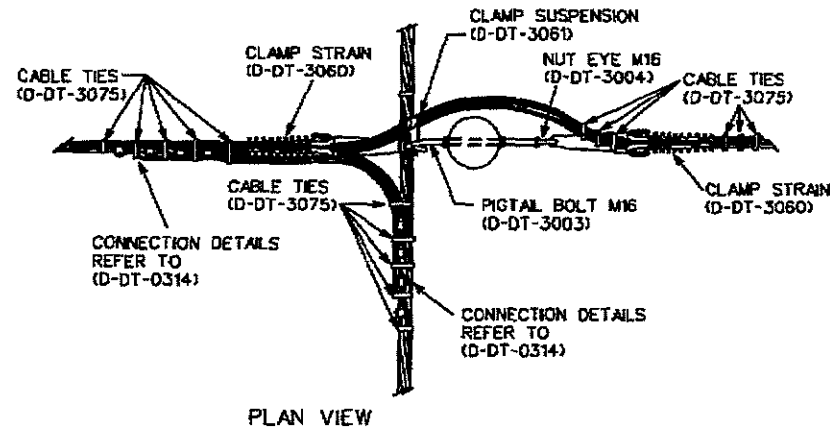
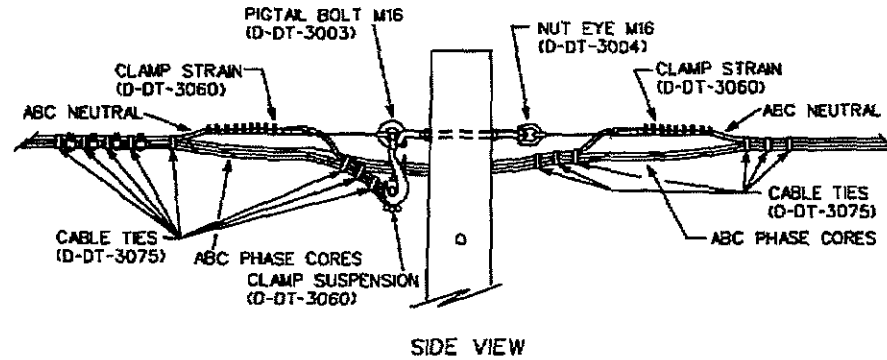
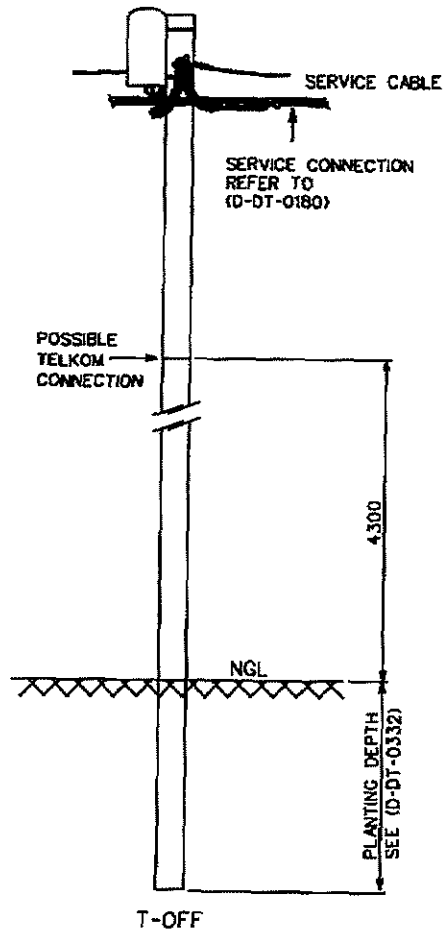


LV RETICULATION
THREE PHASE ABC BARE NEUTRAL
T-OFF ASSEMBLY FROM STRAIN
WOOD POLE

AUTH:	S.A. OLLERS
DATE:	10/01/1994
CHKD:	N.J.V.R.
DATE:	05/03/1993
DRAWN:	DT H.J.V.M.
DATE:	06/02/1993

D-DT-1142

SET	SHEET	REVISION
1	1	5



NOTE :
EARTHING REQUIREMENTS
SEE PART 2.

5	LOGO CHANGED AS PER CORPORATE ID	M.T.M.	P.A.V.	J.SCHOLTZ	06.08.04	
4	TITLE CHANGED	CADNEY	I.A.F.	I.A.F.	07/07/97	
REV	REVISION DESCRIPTION	BY	CHKD	AUTH	DATE	PROJECT NO

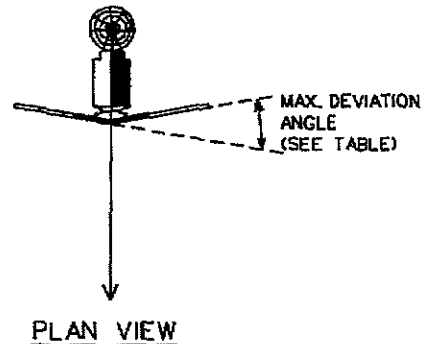
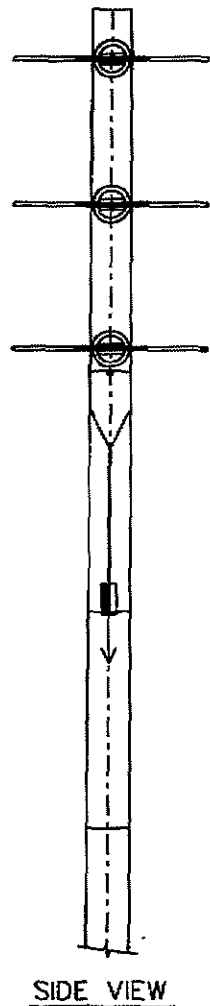
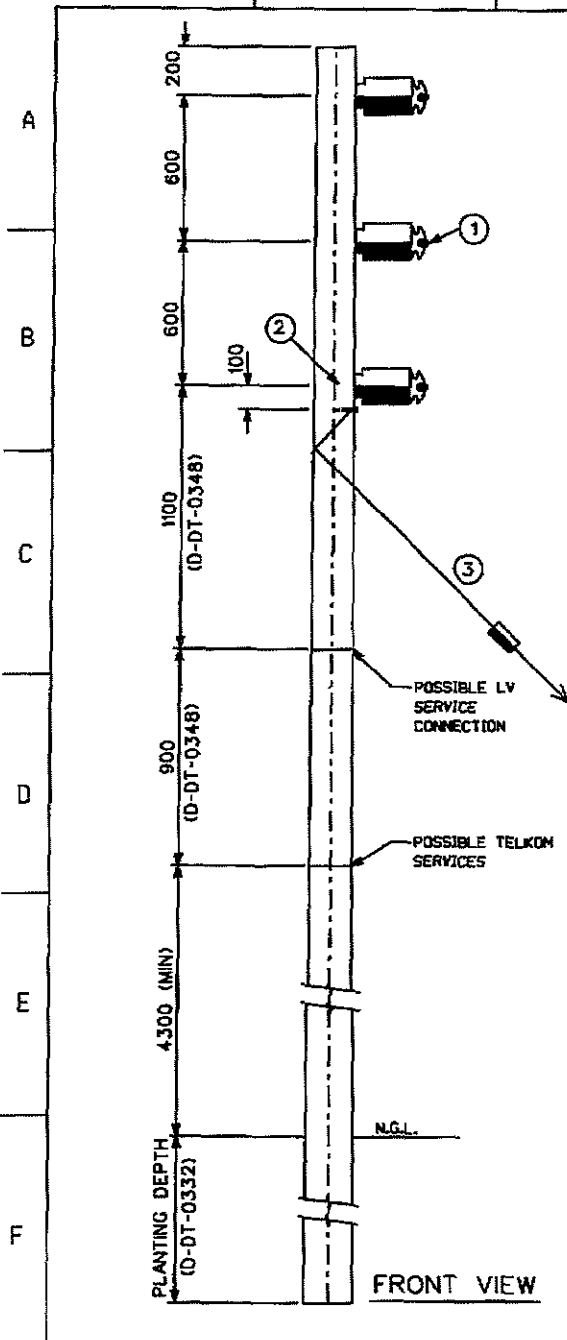


AUTH: S.A. CILLIERS
DATE: 10/01/1994
CHKD: N.J.V.R.
DATE: 05/03/1993
DRAWN: DT
H.J.V.M.
DATE: 08/02/1993

LV RETICULATION
THREE PHASE
BARE NEUTRAL ABC CROSS
INTERMEDIATE-STRAIN ASSEMBLY
WOOD POLE

D-DT-1143

SET	SHEET	REVISION
1	1	5



DEVIATION TABLE		
CONDUCTOR	MIN.	MAX.
SQUIRREL	1	12°
FOX	1	10°
MINK	1	8°
HARE	1	5°

REFERENCE DRAWINGS		
ITEM	DESCRIPTION	DWG NO
CONDUCTOR / INSULATOR ATTACHMENTS		
1	POSTS -TOP GROOVE TIES	D-DT-0256
INSULATOR / STRUCTURE ATTACHMENTS		
2	POSTS -LONG SPINDLE	D-DT-0391
BONDING AND EARTHING		
	INSULATION CO-ORDINATION	D-DT-0310
STAYS		
3	STAY ASSEMBLY STAY ATTACHMENTS	D-DT-0341 D-DT-0312
PHASING		
	PHASE CONFIGURATION	D-DT-0311

2	STAY ASSEMBLY ADDED & REF. No'S CHANGED	PBM	P.A.V.	B. HILL	18.10.05	
1	LOGO CHANGED AS PER NEW CORPORATE ID	M.T.M.	P.A. VERMAAK		10.11.04	
0	FIRST ISSUE	P.A.V.	B. BRANFIELD		11.01.99	
REV	REVISION DESCRIPTION	BY	CHKD	AUTH	DATE	PROJECT NO.

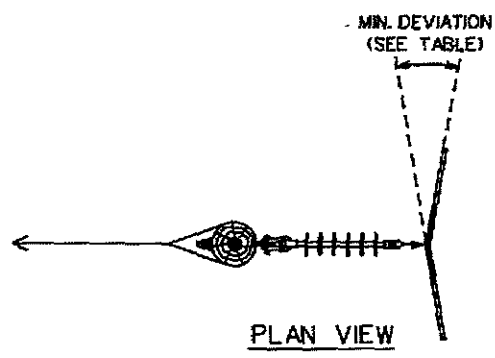
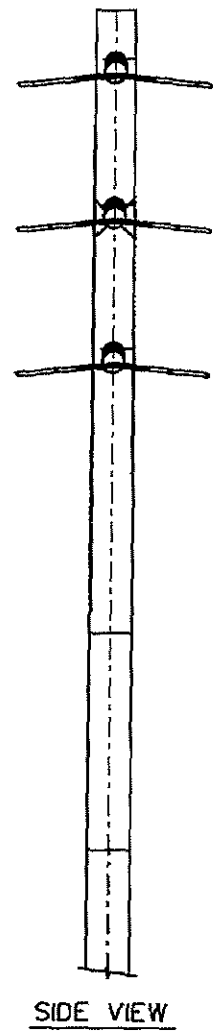
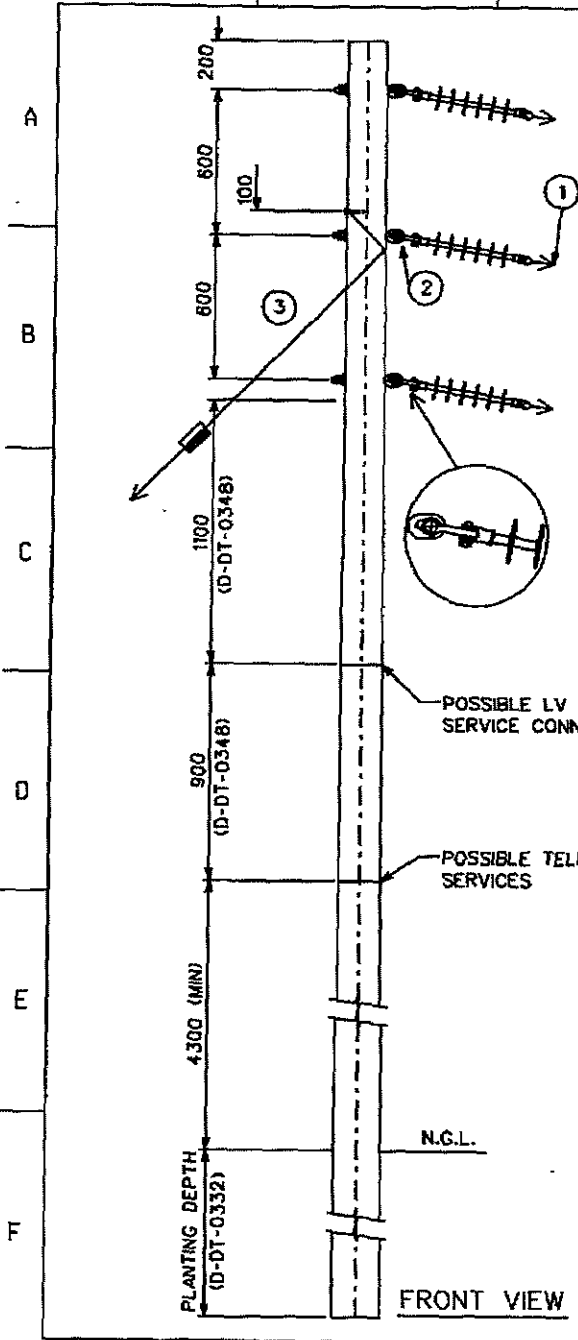
AUTH: B. BRANFIELD
DATE: 11/01/99
CHKD: B. BRANFIELD
DATE: 11/01/99
DRAWN: M.H. S.
DATE: 01/08/99

ESKOM
MV RETICULATION
THREE PHASE
VERTICAL 600 SPACING - INTERMEDIATE
SMALL (1-10) DEG. DEVIATION

D-DT-1711

SET	SHEET	REVISION
1	1	2

NOTE .
NOT SUITABLE FOR ROAD CROSSINGS.

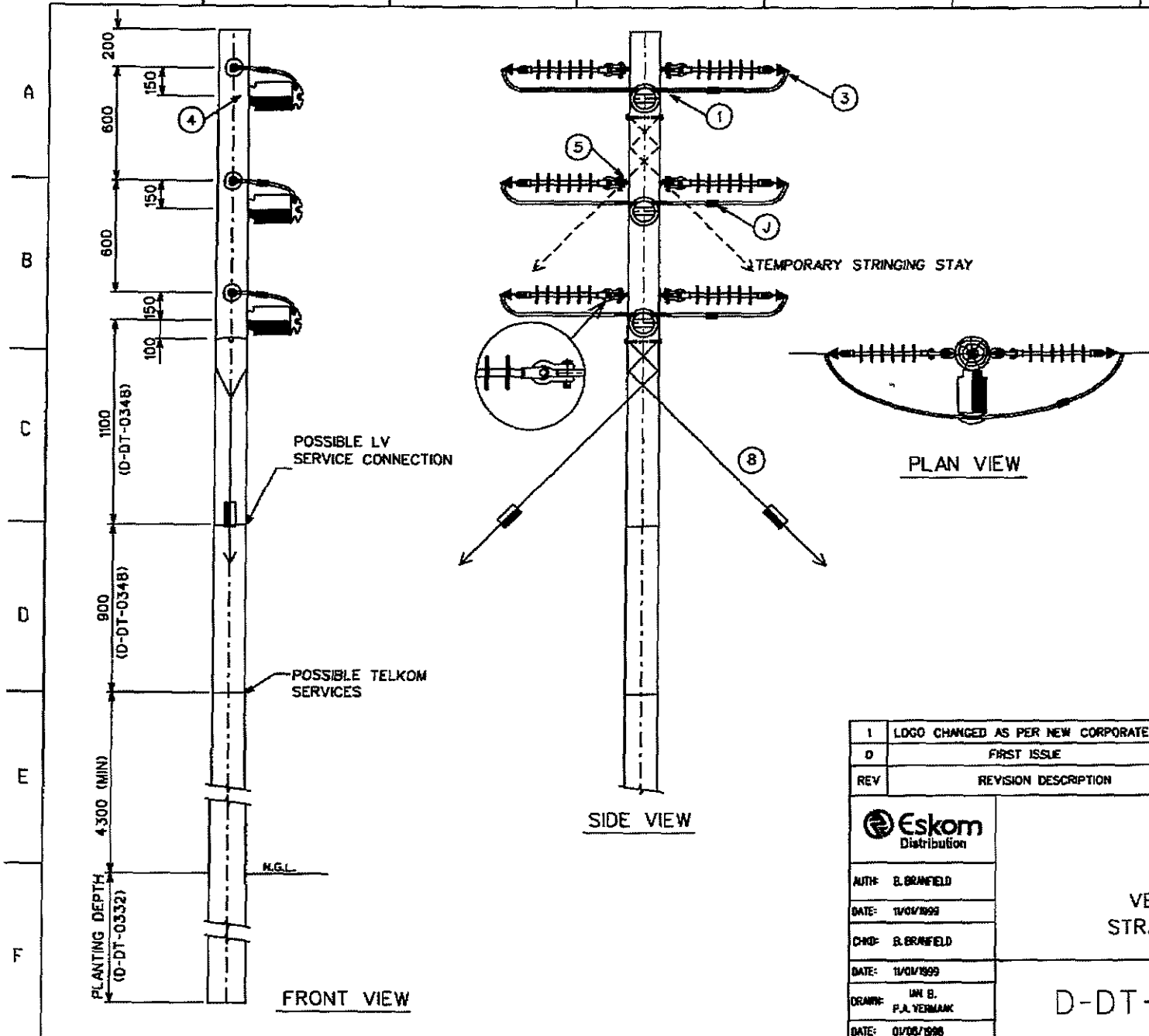


REFERENCE DRAWINGS		
ITEM	DESCRIPTION	DWG NO
CONDUCTOR / INSULATOR ATTACHMENTS		
1	SUSPENSIONS -SUSP. CLAMP/ARMOUR ROD	D-DT-0253
INSULATOR / STRUCTURE ATTACHMENTS		
2	SUSPENSION -EYEBOLT	D-DT-0378
BONDING AND EARTHING		
INSULATION CO-ORDINATION		D-DT-0310
STAYS		
3	STAY ATTACHMENTS STAY ASSEMBLY	D-DT-0312 D-DT-0341
PHASING		
PHASE CONFIGURATION		D-DT-0311

NOTE:
MIN DEVIATION ANGLE 15°
MAX DEVIATION ANGLE 20°

REV	REVISION DESCRIPTION	BY	CHKD	AUTH	DATE	PROJECT NO.
3	STAY ASS. ADDED, REF. No'S CHANGED, NOTE ADDED & TITLE BLOCK DES. CHANGED	PBM	B. HILL	B. HILL	08.12.05	
2	LOGO CHANGED AS PER NEW CORPORATE ID	M.T.M.	P.A. VERMAK		10.11.04	
1	ORIENTATION OF INSULATORS CORRECTED	P.A.V.	B.B.	P.CROWDY	14.04.99	

	ESKOM MV RETICULATION THREE PHASE VERTICAL 600 SPACING - INTERMEDIATE MEDIUM (±15-20) DEG. DEVIATION					
	AUTH: E. BRANFIELD DATE: 11/01/1999 CHD: E. BRANFIELD DATE: 11/01/1999 DRAWN: UH S. P.A. VERMAK DATE: 01/08/1998	D-DT-1712		SET 1	SHEET 1	REVISION 3



REFERENCE DRAWINGS		
ITEM	DESCRIPTION	DWG NO
CONDUCTOR / INSULATOR ATTACHMENTS		
1	POSTS -SIDE GROOVE TIES	D-DT-0259
3	STRAINS -HELICAL DEAD-END -PISTOL GRIPS	D-DT-0250 D-DT-0251
INSULATOR / STRUCTURE ATTACHMENTS		
5	STRAINS -EYEBOLT	D-DT-0373
4	POSTS -LONG SPINDLE	D-DT-0391
BONDING AND EARTHING		
	INSULATION CO-ORDINATION	D-DT-0310
STAYS		
8	STAY ATTACHMENTS	D-DT-0312
PHASING		
	PHASE CONFIGURATION	D-DT-0311
JOINTS		
J	NON-TENSION JOINTS	CHOICE

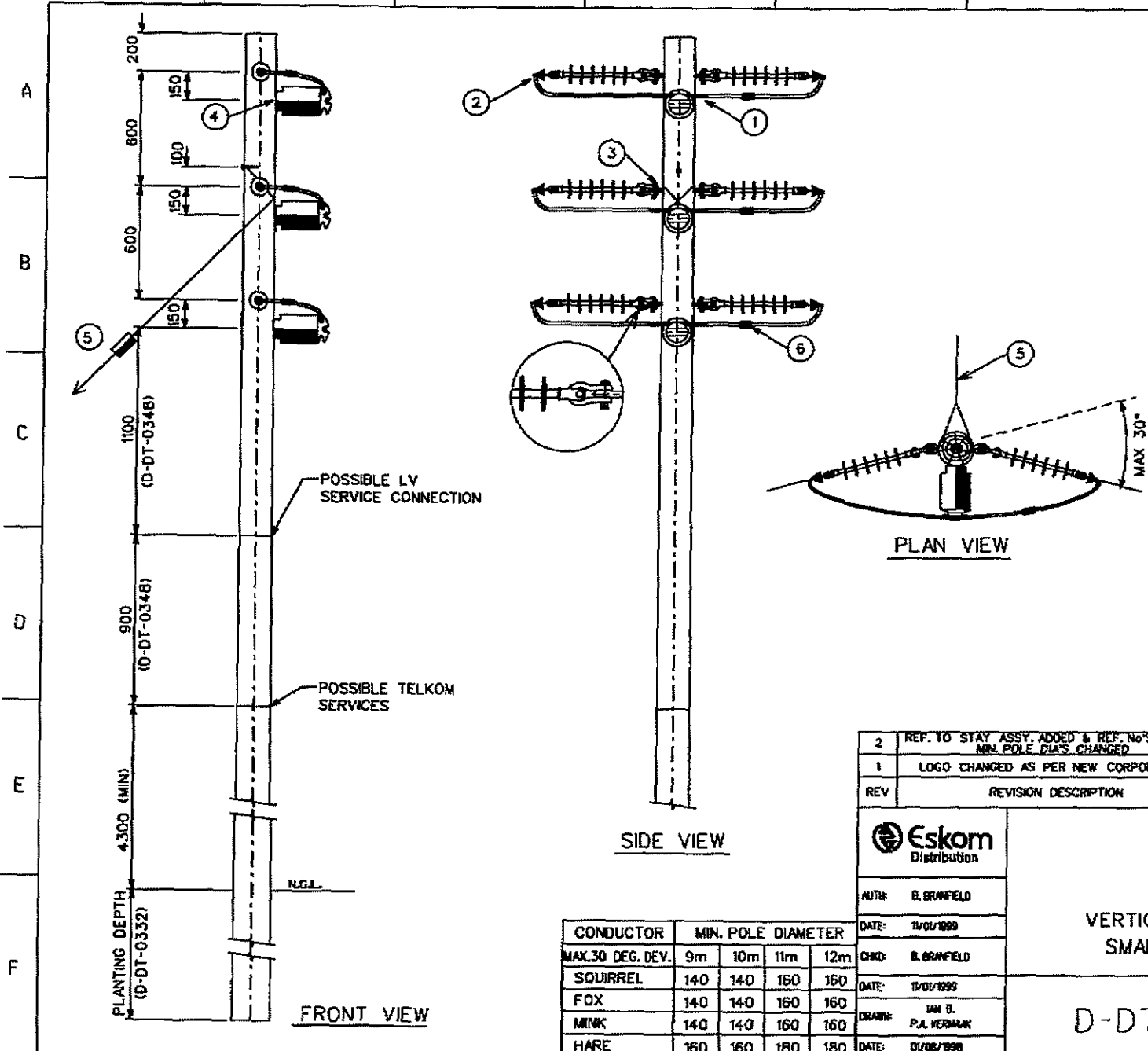
1	LOGO CHANGED AS PER NEW CORPORATE ID	M.T.M.	P.A. VERMAAK	10.11.04	
0	FIRST ISSUE	P.A.V.	B. BRANFIELD	11.01.99	
REV	REVISION DESCRIPTION	BY	CHKD	AUTH	DATE PROJECT NO.

	AUTH: B. BRANFIELD
	DATE: 11/01/1999
	CHKD: B. BRANFIELD
	DATE: 11/01/1999
	DRAWN: IAN B. P.A. VERMAAK DATE: 01/05/1998

ESKOM
 MV RETICULATION
 THREE PHASE
 VERTICAL 600 SPACING
 STRAIN - 0 DEG. DEVIATION

D-DT-1713

SET	SHEET	REVISION
1	1	1



REFERENCE DRAWINGS		
ITEM	DESCRIPTION	DWG NO
CONDUCTOR / INSULATOR ATTACHMENTS		
1	POSTS -SIDE GROOVE TIES	D-DT-0259
2	STRAINS -HELICAL DEAD-END -PISTOL GRIPS	D-DT-0250 D-DT-0251
INSULATOR / STRUCTURE ATTACHMENTS		
3	STRAINS -EYEBOLT	D-DT-0373
4	POSTS -LONG SPINDLE	D-DT-0391
BONDING AND EARTHING		
	INSULATION CO-ORDINATION	D-DT-0310
STAYS		
5	STAY ATTACHMENTS STAY ASSEMBLY	D-DT-0312 D-DT-0341
PHASING		
	PHASE CONFIGURATION	D-DT-0311
JOINTS		
6	NON-TENSION JOINTS	CHOICE

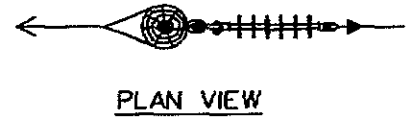
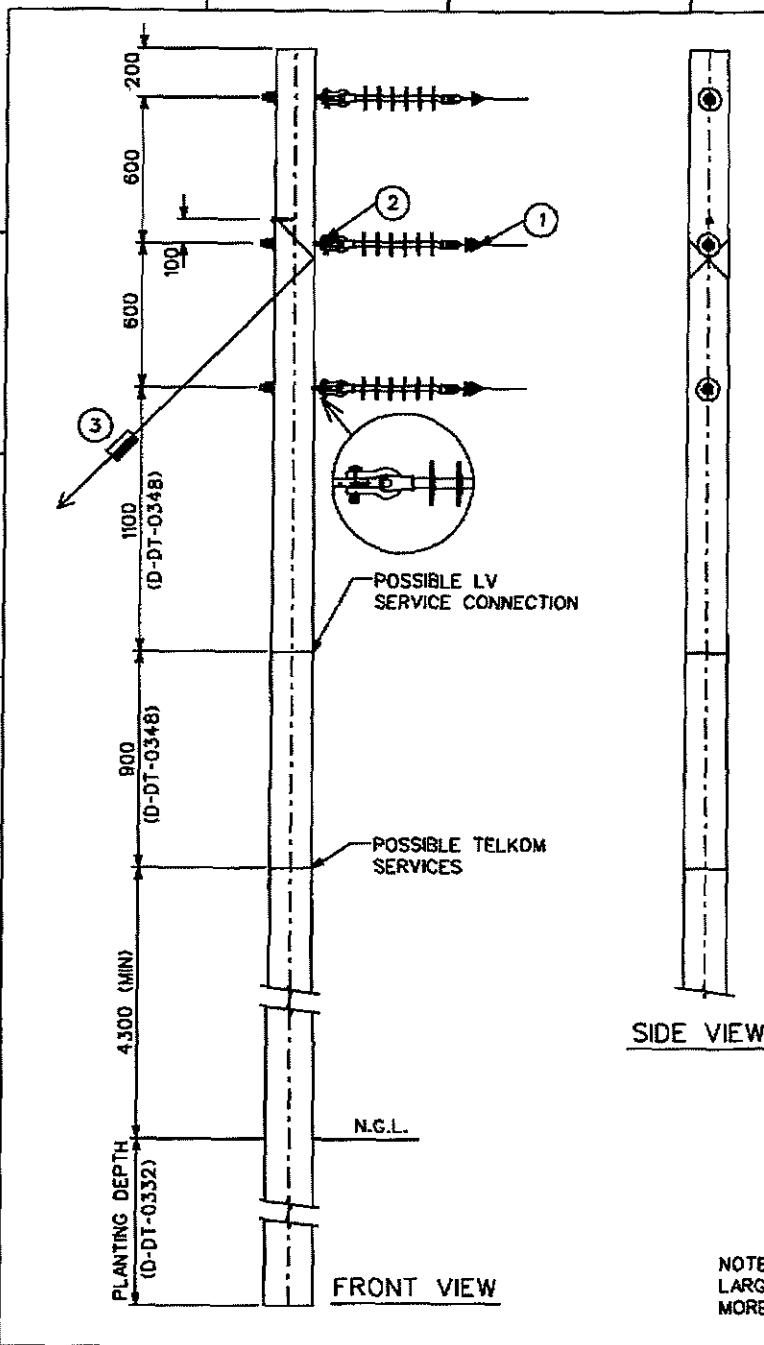
2	REF. TO STAY ASSY. ADDED & REF. No'S AND MIN. POLE DIAS. CHANGED	PDM	B. HILL	08.12.05		
1	LOGO CHANGED AS PER NEW CORPORATE ID	M.T.M.	P.A. VERMAK	10.11.04		
REV	REVISION DESCRIPTION	BY	CHKD	AUTH	DATE	PROJECT NO.

Eskom Distribution	
AUTH: B. BRANFIELD	DATE: 11/01/1999
CHKD: B. BRANFIELD	DATE: 11/01/1999
DRAWN: JAN B. P.A. VERMAK	DATE: 01/08/1998

ESKOM MV RETICULATION THREE PHASE VERTICAL 600 SPACING - STRAIN SMALL (1 - 30) DEG. DEVIATION							
D-DT-1714	<table border="1"> <tr> <th>SET</th> <th>SHEET</th> <th>REVISION</th> </tr> <tr> <td style="text-align: center;">1</td> <td style="text-align: center;">1</td> <td style="text-align: center;">2</td> </tr> </table>	SET	SHEET	REVISION	1	1	2
SET	SHEET	REVISION					
1	1	2					

CONDUCTOR	MIN. POLE DIAMETER			
	9m	10m	11m	12m
MAX. 30 DEG. DEV.	9m	10m	11m	12m
SQUIRREL	140	140	160	160
FOX	140	140	160	160
MINK	140	140	160	160
HARE	160	160	180	180

A
B
C
D
E
F



REFERENCE DRAWINGS		
ITEM	DESCRIPTION	DWG NO
CONDUCTOR / INSULATOR ATTACHMENTS		
1	STRAINS -HELICAL DEAD-END -PISTOL GRIPS	D-DT-0250 D-DT-0251
INSULATOR / STRUCTURE ATTACHMENTS		
2	TERMINAL -EYEBOLT	D-DT-0375
BONDING AND EARTHING		
	INSULATION CO-ORDINATION	D-DT-0310
STAYS		
3	STAY ATTACHMENTS STAY ASSEMBLY	D-DT-0313 D-DT-0341
PHASING		
	PHASE CONFIGURATION	D-DT-0311

CONDUCTOR	MIN. POLE DIAMETER			
	9m	10m	11m	12m
0 DEG. DEV.	140	140	160	160
SQUIRREL	140	160	160	160
FOX	140	160	160	160
MINK	160	180	180	180
HARE	180	200	200	N/A

REV	REVISION DESCRIPTION	BY	CHKD	AUTH	DATE	PROJECT NO.
2	REF. TO STAY ASSY. ADDED & REF. NO'S AND MIN. POLE DIA'S CHANGED	PBM		G. HILL	08.12.05	
1	LOGO CHANGED AS PER NEW CORPORATE ID	M.T.M.		P.A. VERMAAK	10.11.04	

	ESKOM MV RETICULATION THREE PHASE VERTICAL 600 SPACING STRAIN - TERMINAL			
	AUTH: B. BRANFIELD			
	DATE: 11/01/99			
	CHKD: B. BRANFIELD			
DATE: 11/01/99				
DRWN: IAN B. P.A. VERMAAK				
DATE: 01/08/1998				
D-DT-1716		SET	SHEET	REVISION
		1	1	2

NOTE:
LARGE CONDUCTORS REQUIRE
MORE THAN ONE STAY.

A
B
C
D
E
F

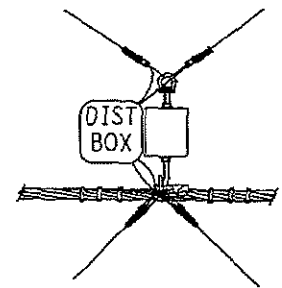
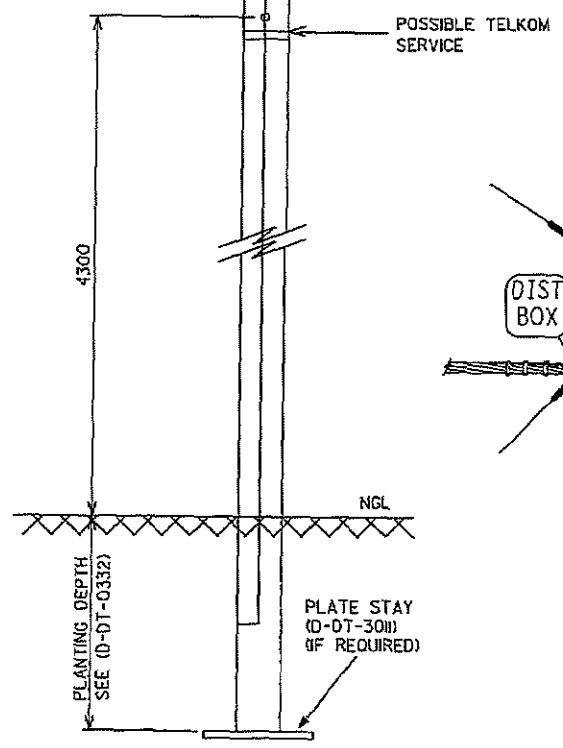
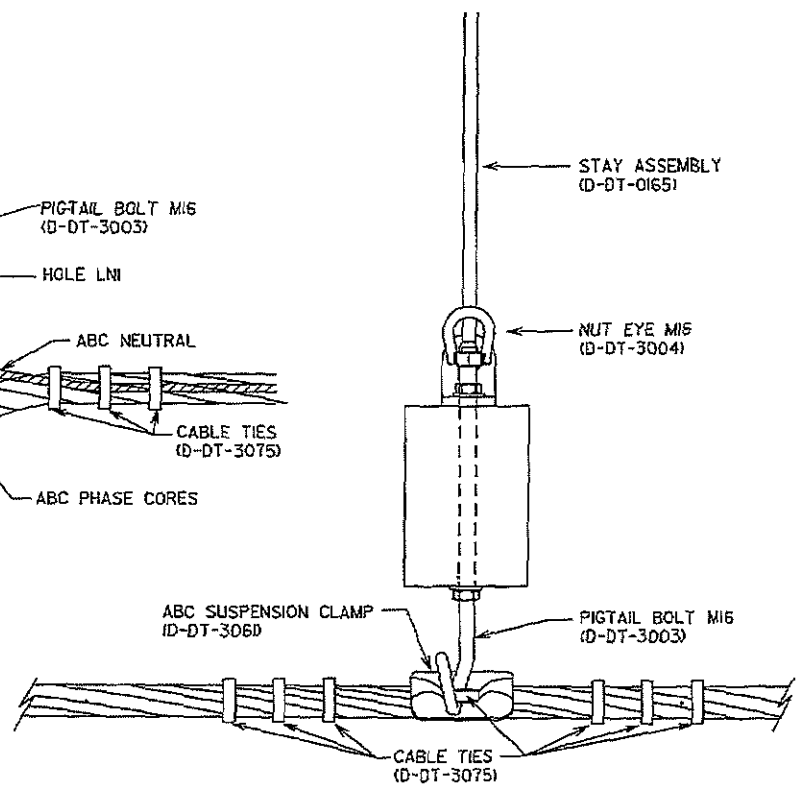
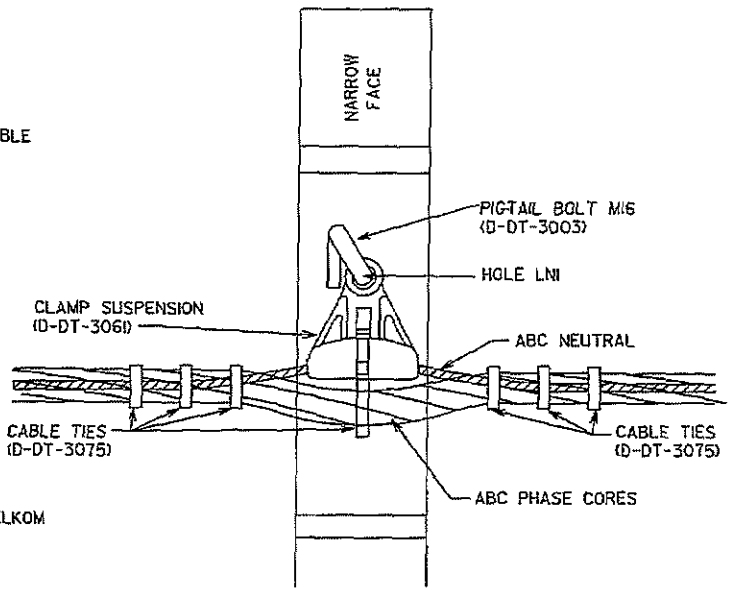
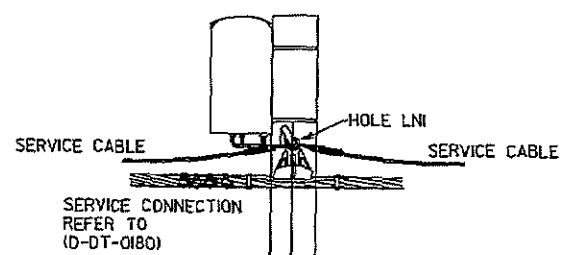


PLATE STAY (D-DT-3011) (IF REQUIRED)

- NOTE :
1. FOR EARTHING REQUIREMENTS SEE PART 2.
 2. STAY WIRE REQUIRED IF:
 - ANGLE GREATER THAN 5 °
 - TWO OR MORE SERVICES FROM ONE SIDE OF POLE.
 3. FOR POLE HOLE POSITIONS REFER TO D-DT-0002

6	LOGO CHANGED AS PER NEW CORPORATE ID.	D.S.M.	P.A.VERMAAK	J.SCHOLTZ	05.08.04	
5	TITLE CHANGED	P.A.V.	GADNET	I.FERGUSON	07.07.97	
4	VARIOUS AMMENDMENTS MADE	P.A.V.	J.SWAN	P.CROWDY	16.11.95	
REV	REVISION DESCRIPTION	BY	CHKD	AUTH	DATE	PROJECT NO.

Eskom
Distribution

AUTH: S.A. CILLIERS

DATE: 10.01.99/4

CHKD: M.A.V.B

DATE: 01.03.93

DRAWN: ECR
S.T.POOK

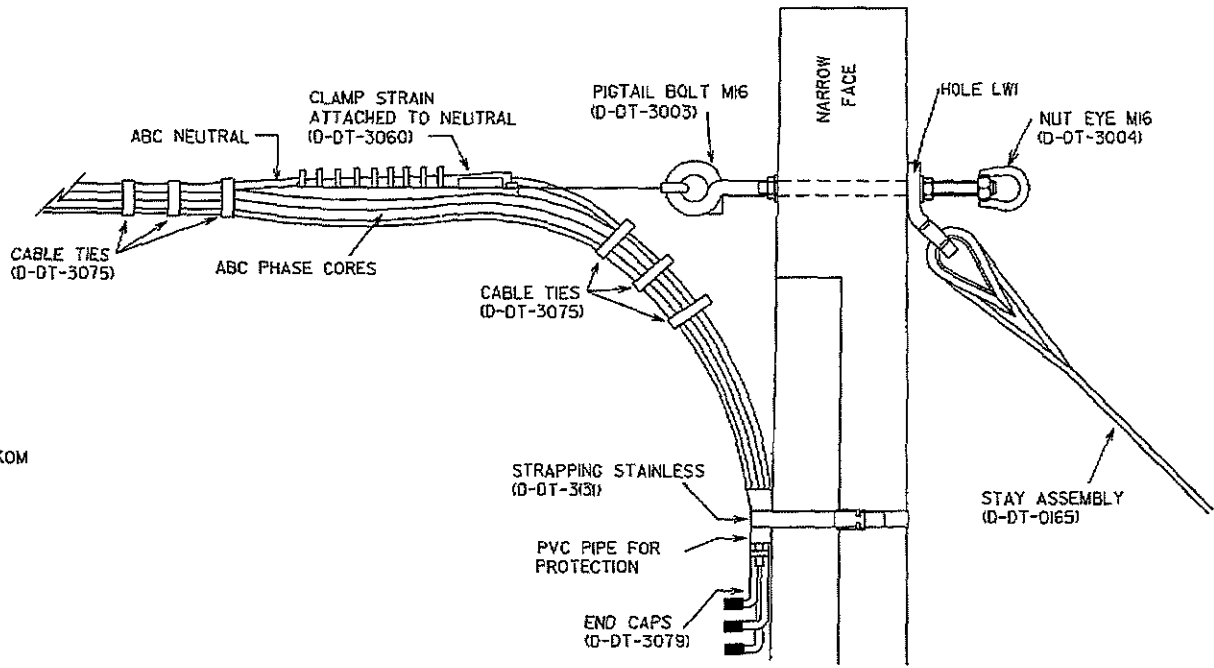
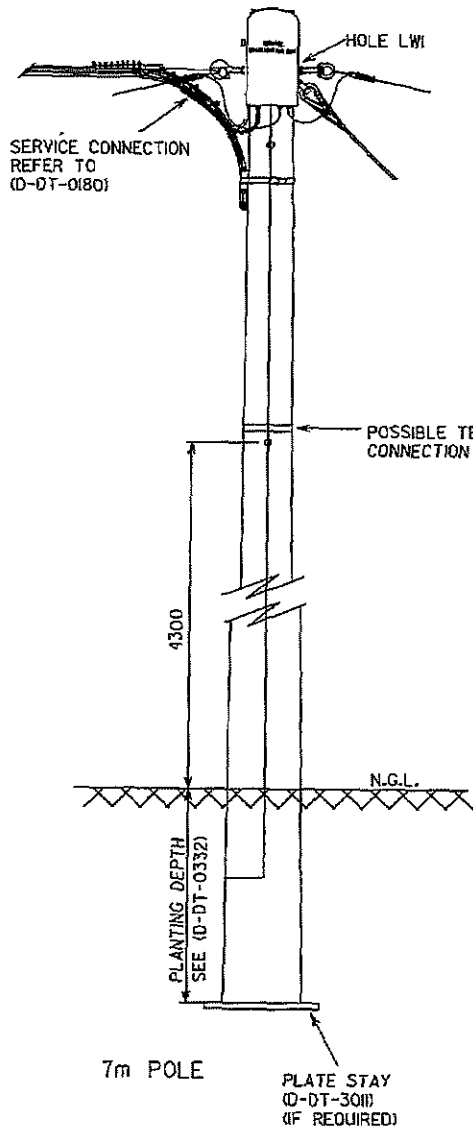
DATE: 28.09.91

ESKOM
LV RETICULATION
THREE PHASE BARE NEUTRAL ABC
SUSPENSION ASSEMBLY (0 - 30)DEG.
CONCRETE POLE

D-DT-0100

SET	SHEET	REVISION
1	1	6

A
B
C
D
E
F



FRONT VIEW

- NOTE :
1. EARTHING REQUIREMENTS SEE PART 2.
 2. IF TWO ABC BUNDLES ARE USED - INSTALL MV STAY (D-DT-0265)
 3. FOR POLE HOLE POSITIONS REFER TO D-DT-0002

5	LOGO CHANGED AS PER NEW CORPORATE I.D.	D.D.N.	P.A.V.	J.SCHOLTZ	29.07.04	
4	TITLE CHANGED	P.A.V.	L.A.F.	I.FERGUSON	07.07.97	
3	VARIOUS AMMENDMENTS MADE	P.A.V.	J.SWAN	P.CROWDY	20.JL.95	
REV	REVISION DESCRIPTION	BY	CHKD	AUTH	DATE	PROJECT NO.

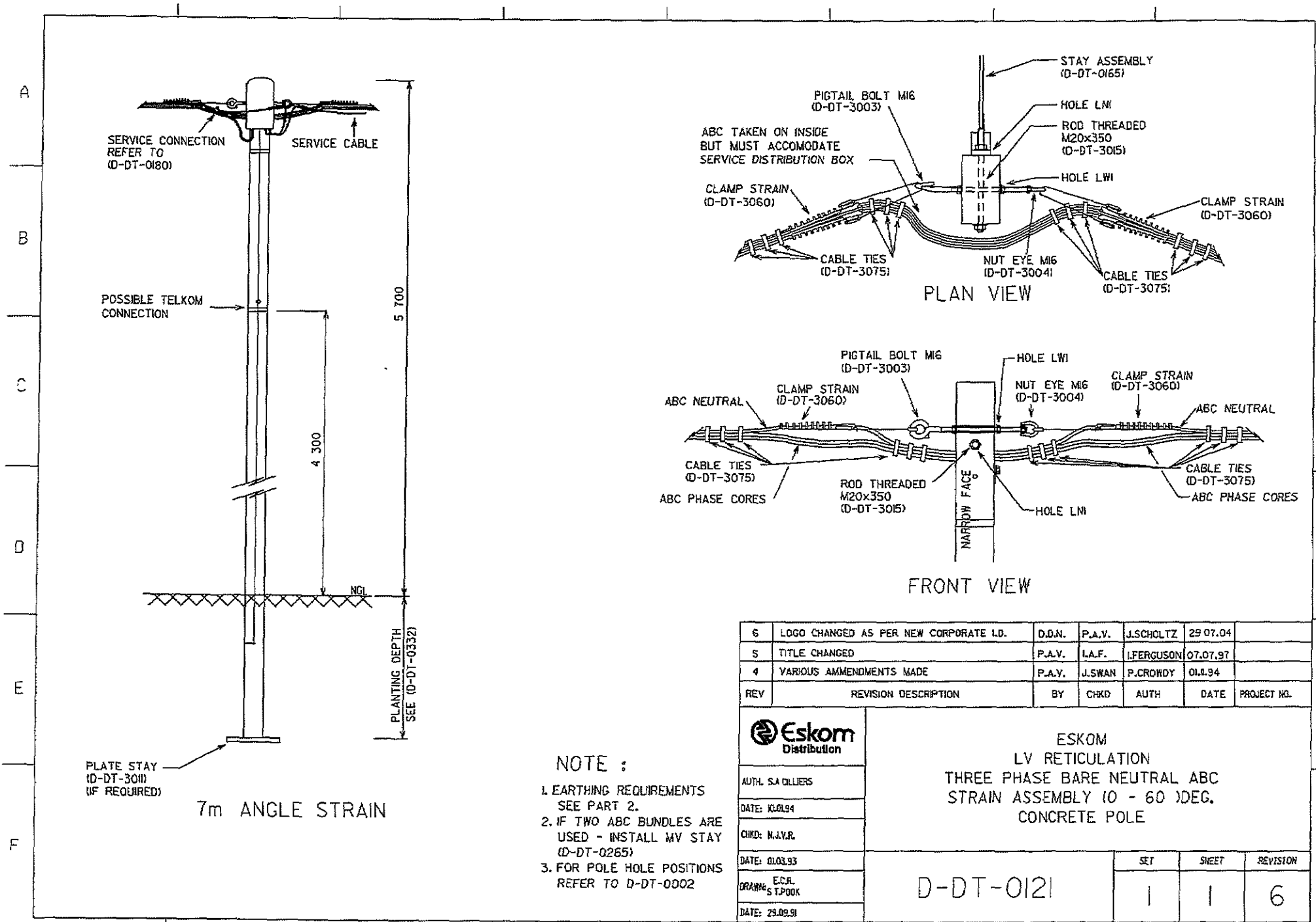


ESKOM
LV RETICULATION
THREE PHASE BARE NEUTRAL ABCB
TERMINAL ASSEMBLY
CONCRETE POLE

AUTH: S.A.OULIERS
DATE: 10 01994
CHKD: N.J.Y.R
DATE: 01.03 1993
DRAWN: ECR S.T.POOK
DATE: 29 09.91

D-DT-0120

SET	SHEET	REVISION
1	1	5



NOTE :

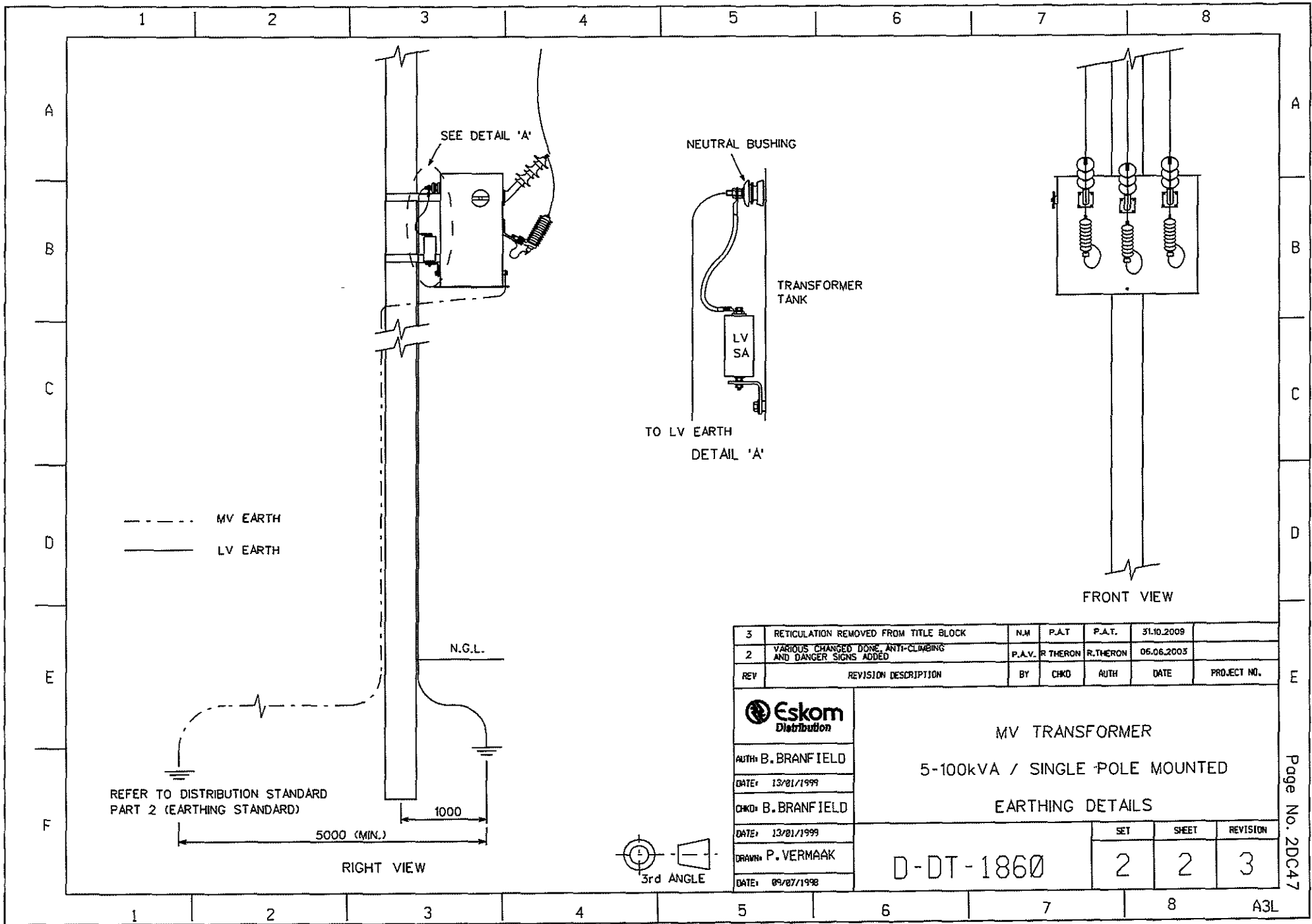
1. EARTHING REQUIREMENTS SEE PART 2.
2. IF TWO ABC BUNDLES ARE USED - INSTALL MV STAY (D-DT-0265)
3. FOR POLE HOLE POSITIONS REFER TO D-DT-0002

6	LOGO CHANGED AS PER NEW CORPORATE LD.	D.D.N.	P.A.V.	J.SCHOLTZ	29.07.04	
5	TITLE CHANGED		P.A.V.	L.A.F.	L.FERGUSON	07.07.97
4	VARIOUS AMMENDMENTS MADE		P.A.V.	J.SWAN	P.CROWDY	01.1.94
REV	REVISION DESCRIPTION	BY	CHKD	AUTH	DATE	PROJECT NO.

Eskom Distribution	
AUTH: S.A. OLLIERS	
DATE: 10.01.94	
CHKD: N.J.V.R.	
DATE: 01.03.93	
DRAWN: E.C.R. CHECKED: T.POOK	
DATE: 29.09.91	

ESKOM
LV RETICULATION
THREE PHASE BARE NEUTRAL ABC
STRAIN ASSEMBLY (0 - 60)DEG.
CONCRETE POLE

D-DT-0121	SET	SHEET	REVISION
	1	1	6

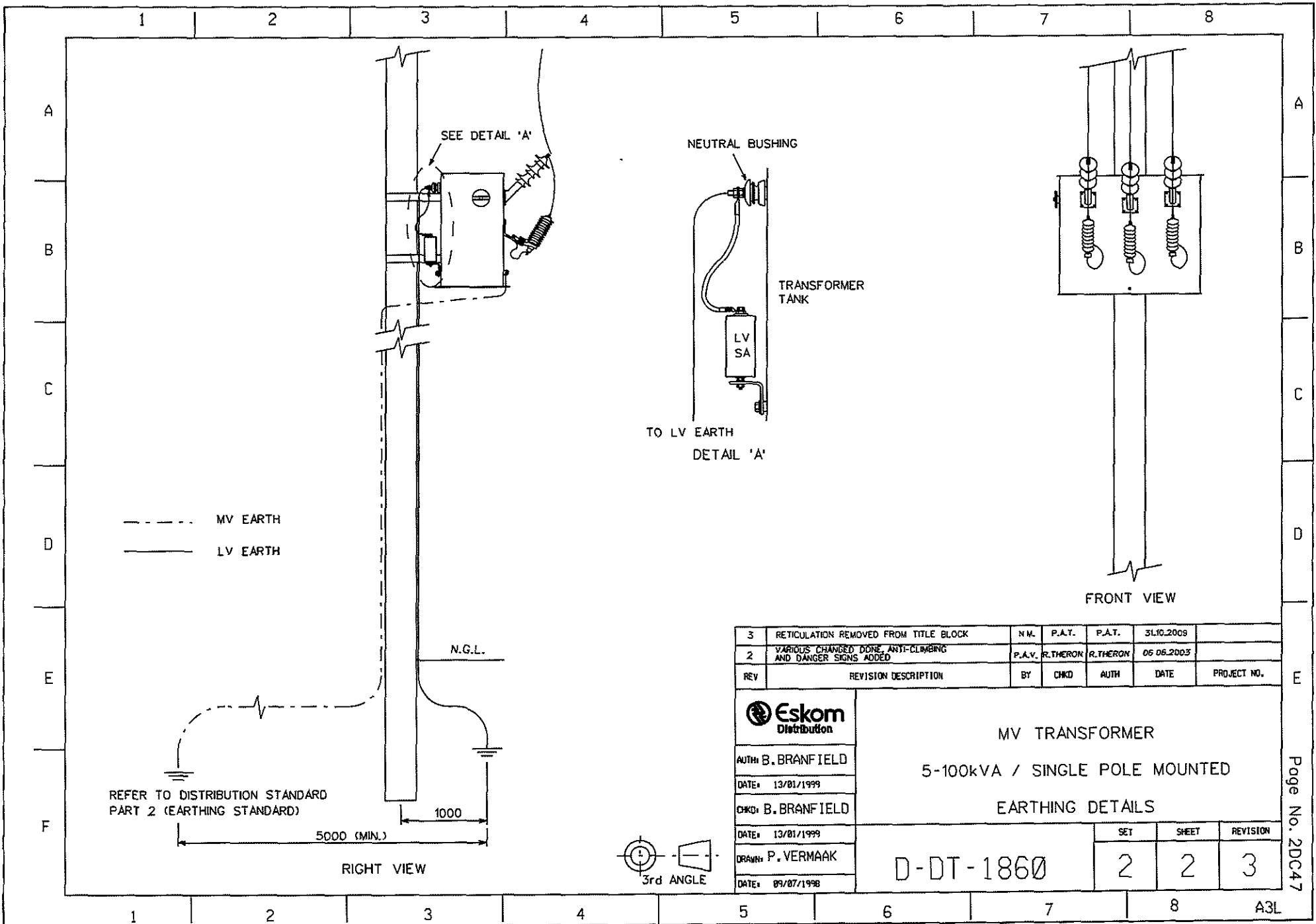


3	RETICULATION REMOVED FROM TITLE BLOCK	N.M	P.A.T	P.A.T.	31.10.2009	
2	VARIOUS CHANGES DONE, ANTI-CLIMBING AND DANGER SIGNS ADDED	P.A.V.	R.THERON	R.THERON	06.06.2003	
REV	REVISION DESCRIPTION	BY	CHKD	AUTH	DATE	PROJECT NO.

	MV TRANSFORMER		
	5-100kVA / SINGLE POLE MOUNTED		
AUTH: B. BRANFIELD	EARTHING DETAILS		
DATE: 13/01/1999	D-DT-1860		
CHKD: B. BRANFIELD			
DATE: 13/01/1999	SET	SHEET	REVISION
DRAWN: P. VERMAAK	2	2	3
DATE: 09/07/1998			

Page No. 2DC47

A3L



3	RETICULATION REMOVED FROM TITLE BLOCK	N.M.	P.A.T.	P.A.T.	31.10.2003	
2	VARIOUS CHANGES DONE, ANY-CRAWLING AND DANGER SIGNS ADDED	P.A.V.	R.THERON	R.THERON	06.06.2003	
REV	REVISION DESCRIPTION	BY	CHKD	AUTH	DATE	PROJECT NO.

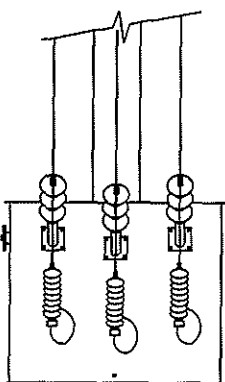
	MV TRANSFORMER 5-100KVA / SINGLE POLE MOUNTED EARTHING DETAILS					
	AUTH: B. BRANFIELD					
	DATE: 13/01/1999					
	CHKD: B. BRANFIELD					
DATE: 13/01/1999					SET	SHEET
DRAWN: P. VERMAAK					2	2
DATE: 09/07/1998					REVISION	
D-DT-1860					3	

Page No. 2DC47

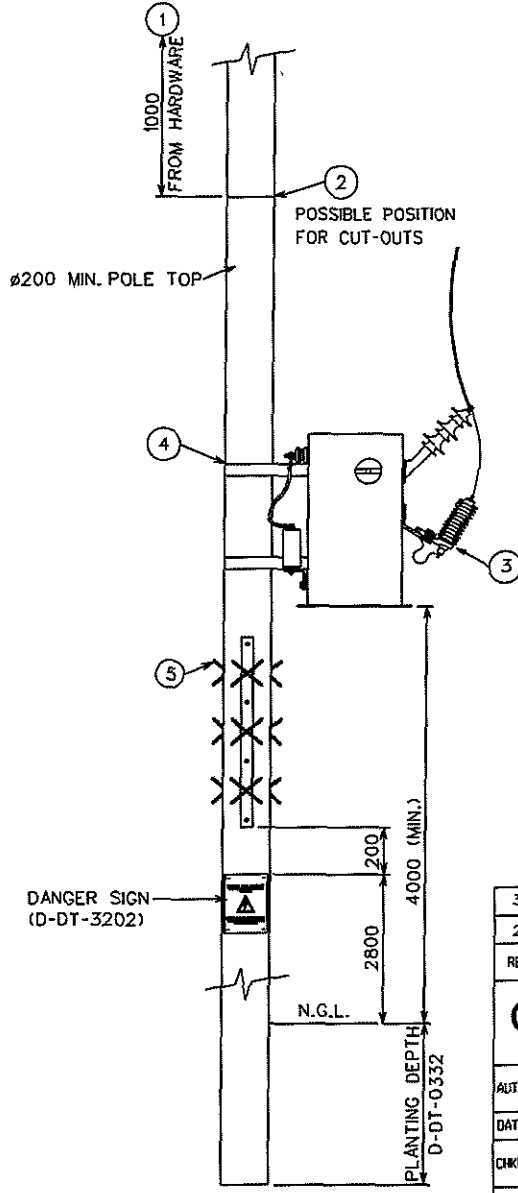
A3L

1 2 3 4 5 6 7 8

A
B
C
D
E
F



FRONT VIEW



RIGHT VIEW

REFERENCE DRAWINGS		
ITEM	DESCRIPTION	DWG NO
STRUCTURES		
1	SINGLE POLES	D-DT-1700 TO D-DT-1749
EQUIPMENT ATTACHMENTS		
2	-EQUIPMENT LINKS	D-DT-1849 D-DT-1850 D-DT-1869
3	-SURGE ARRESTERS	D-DT-0261
4	-TRANSFORMER MOUNTING SINGLE POLE	D-DT-0270
5	-ANTI-CLIMBING DEVICE	D-DT-0399
EQUIPMENT EARTHING		
	-TRANSFORMER SINGLE POLE MOUNTED - EARTHING DETAIL	D-DT-1860 (Sheet 2)

NOTE :
 1. SUITABLE FOR TRANSFORMERS UPTO 100kVA
 2. THREE PHASE TRANSFORMERS MUST NOT BE INSTALLED ON VERTICAL CONFIGURATION STRUCTURES.
 3. JUMPERS TO BE COVERED CONDUCTOR.

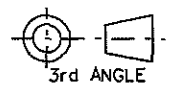
REV	REVISION DESCRIPTION	BY	CHKD	AUTH	DATE	PROJECT NO.
3	RETICULATION REMOVED FROM TITLE BLOCK	N.M.	P.A.T.	P.A.T.	31.10.2009	
2	VARIOUS CHANGES DONE, ANTI-CLIMBING AND DANGER SIGNS ADDED	P.A.V.	R.THERON	R.THERON	06.06.2003	

Eskom Distribution	
AUTH: B. BRANFIELD	
DATE: 13/01/1999	
CHKD: B. BRANFIELD	
DATE: 13/01/1999	
DRAWN: P. VERMAAK	
DATE: 09/07/1998	

MV TRANSFORMER
 5-100kVA / SINGLE POLE MOUNTED
 GENERAL ARRANGEMENT

D-DT-1860

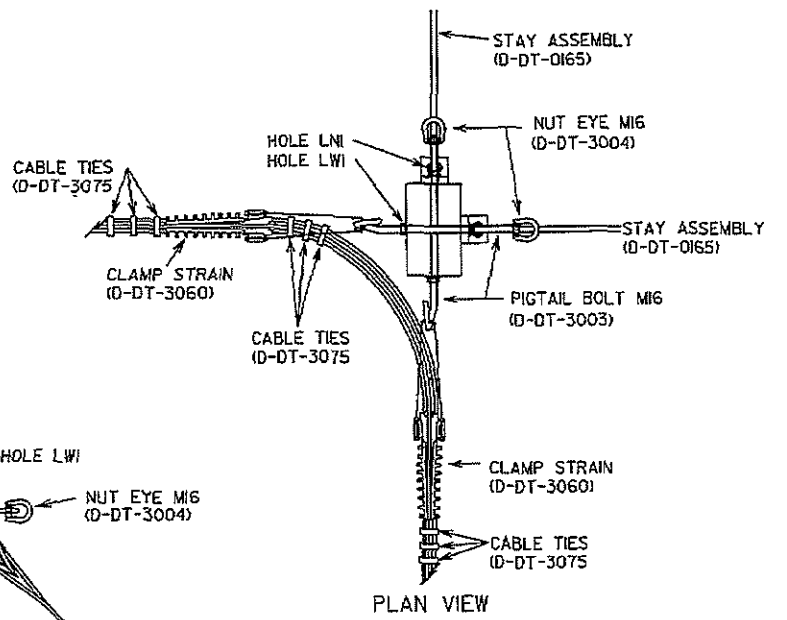
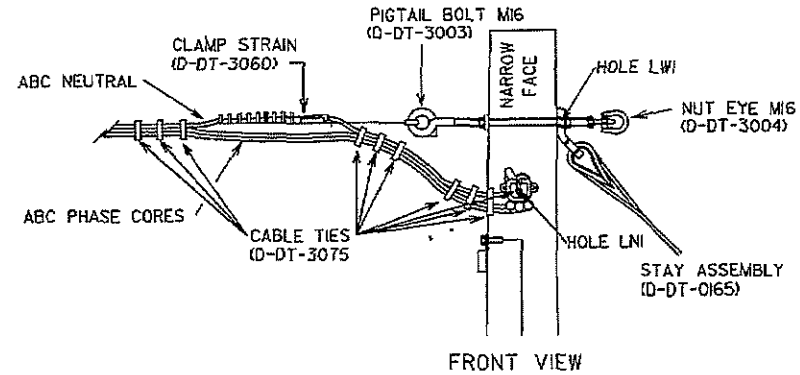
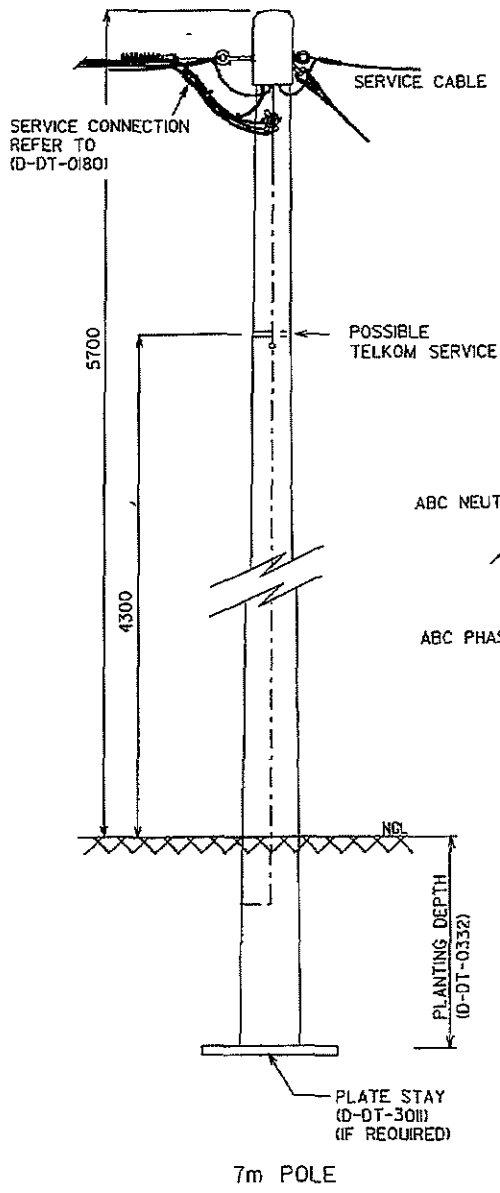
SET	SHEET	REVISION
2	1	3



1 2 3 4 5 6 7 8 A3L

Page No. 2DC46

A
B
C
D
E
F



- NOTE :
1. EARTHING REQUIREMENTS SEE PART 2.
 2. IF DOUBLE ABC BUNDLES ARE USED-INSTALL MV STAYS (D-DT-0265)
 3. FOR POLE HOLE POSITIONS REFER TO D-DT-0002

6	LOGO CHANGED AS PER NEW CORPORATE ID.	D.D.N.	P.A.V.	J.SCHOLTZ	29.07.04	
5	TITLE CHANGED	CADNET	L.A.F.	I.FERGUSON	07.07.97	
4	VARIOUS AMMENDMENTS MADE	P.A.V.	J.SWAN	P.CROWDY	20.11.95	
REV	REVISION DESCRIPTION	BY	CHKD	AUTH	DATE	PROJECT NO.



AUTH: S.A.CILLIERS
DATE: 10.01.94
CHKD: M.J.V.R.
DATE: 01.03.93
DRAWN: E.C.R. S.T.POOK
DATE: 23.03.91

ESKOM
LV RETICULATION
THREE PHASE BARE NEUTRAL ABC
STRAIN ASSEMBLY (60 - 90) DEG.
CONCRETE POLE

D-DT-0122	SET	SHEET	REVISION
	1	1	6