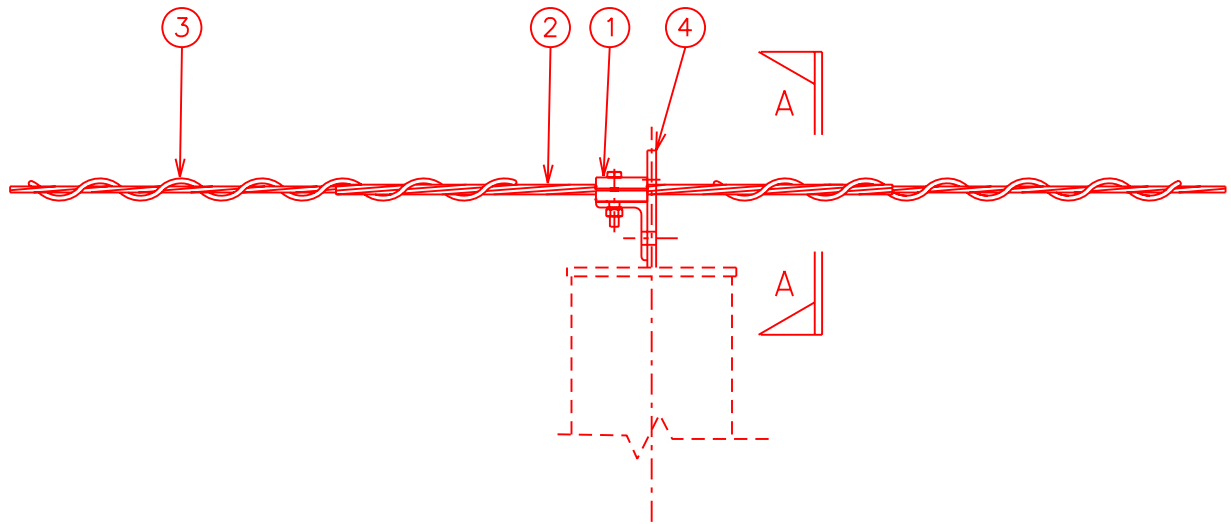


(ALL INFORMATION TAKEN FROM D-DT-7326)



DETAILS OF INTERMEDIATE POLE TOP ASSEMBLY WITH SHIELDWIRE BRACKET FOR SINGLE SHIELDWIRE OR DOUBLE SHIELDWIRE ASSEMBLYS

REF	DESCRIPTION	DRAWING NO.
1	E/WIRE CLAMP	D-DT-7003
2	ARMOUR ROD	D-DT-7006
3	VIBRATION DAMPER	D-DT-3175
4	SHIELDWIRE BRACKET ASSY.	D-DT-7048

2	SH 1 ALL INFO TAKEN FROM D-DT-7326, SH. 2+3 ITEMISED AND NOTES SABS CHANGED TO SANS	P.A.T.	S. MASHABA	06.04.09		
1	DRG SHT UPDATED, SINGLE S/W BRKT REV'D, HOLE DIA IN POLE TOP BRACKET REV'D, DRG SCALED	SLR	RAB	AB	MAY 2004	
REV	REVISION DESCRIPTION	BY	CHKD	AUTH	DATE	PROJECT NO.



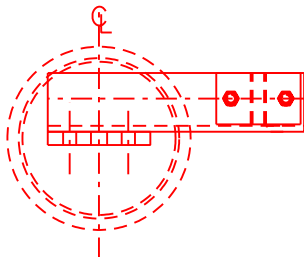
DISTRIBUTION TECHNOLOGY
SUB-TRANSMISSION LINES
INTERMEDIATE POLE TOP AND
SHIELDWIRE BRACKET FOR SINGLE OR
DOUBLE SHIELDWIRE UNINSULATED ASSEMBLY

AUTH:	A BEKKER
DATE:	JAN 2004
CHKD:	RAB
DATE:	JAN 2004
DRAWN:	LMP
DATE:	APRIL 2000

D-DT-7331

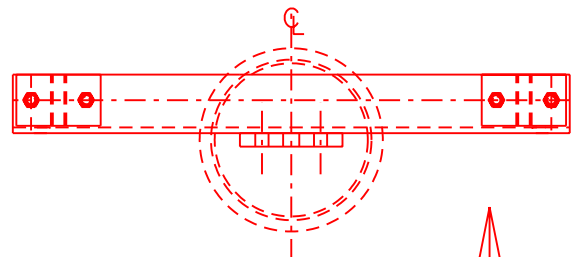
SET	SHEET	REVISION
2	1	2

(ALL INFORMATION TAKEN FROM D-DT-7326)



TOP VIEW ON CAP PLATE

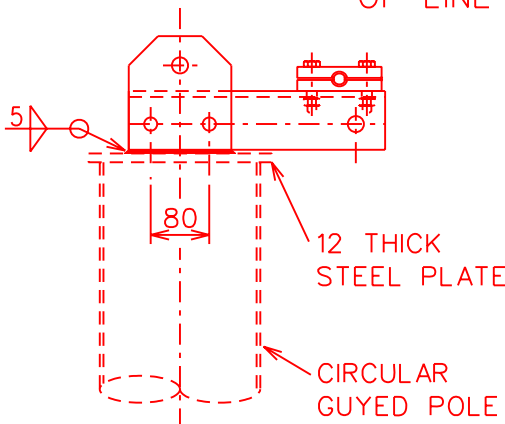
DIRECTION OF LINE



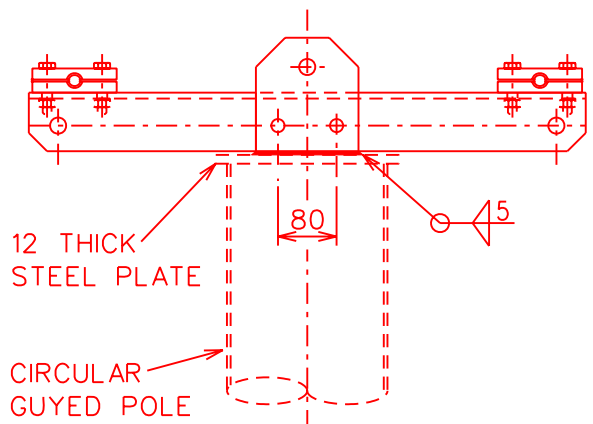
TOP VIEW ON CAP PLATE

DIRECTION OF LINE

OR



FRONT VIEW ON SECTION A-A



FRONT VIEW ON SECTION A-A

SINGLE SHIELDWIRE BRACKET
(SEE D-DT-7048 FOR MANUFACTURING DETAILS)

DOUBLE SHIELDWIRE BRACKET
(SEE D-DT-7048 FOR MANUFACTURING DETAILS)

2	SH 1 ALL INFO TAKEN FROM D-DT-7326, SH. 2+3 ITEMISED AND NOTES SABS CHANGED TO SANS	P.A.T.	S. MASHABA	06.04.09		
1	DRG SHT UPDATED, SINGLE E/W BRKT REV'D, HOLE DIA IN POLE TOP BRACKET REV'D, DRG SCALED	SLR	RAB	AB	MAY 2004	
REV	REVISION DESCRIPTION	BY	CHKD	AUTH	DATE	PROJECT NO.



AUTH: A BEKKER

DATE: JAN 2004

CHKD: RAB

DATE: JAN 2004

DRAWN: LMP

DATE: APRIL 2000

DISTRIBUTION TECHNOLOGY
SUB-TRANSMISSION LINES
ASSEMBLY AND INFORMATION DRAWINGS
POLE TOP AND SHIELDWIRE BRACKET
FOR SINGLE AND DOUBLE SHIELDWIRE

D-DT-7331

SET	SHEET	REVISION
-----	-------	----------

2	2	2
---	---	---