

REQUEST FOR QUOTATION (RFQ)

RFQ NUMBER: 10369364

REQUEST FOR QUOTATION (RFQ) FOR SUPPLY AND DELIVER OF OHTE MATERIAL AND TOOLS FOR GP

**SECTION 1: SBD1
PART A INVITATION TO BID**

YOU ARE HEREBY INVITED TO BID FOR REQUIREMENTS OF PASSENGER RAIL AGENCY (PRASA)

BID NUMBER:	10369364	CLOSING DATE:	30 th MARCH 2026	CLOSING TIME:	12:00
-------------	----------	---------------	-----------------------------	---------------	-------

DESCRIPTION	SUPPLY AND DELIVER OF OHTE MATERIAL AND TOOLS FOR GP
-------------	---

BID RESPONSE DOCUMENTS SHALL BE ADDRESSED AS FOLLOWS:

BID RESPONSE DOCUMENTS MAY BE HAND DELIVERED TO NO 30 WOLMARAANS STREET, BRAAMFONTEIN, JOHANNESBURG ON OR BEFORE CLOSING DATE.

PLEASE ENSURE YOU SIGN SUBMISSION REGISTER

BIDDING PROCEDURE ENQUIRIES MAY BE DIRECTED TO

CONTACT PERSON	Buyie Rose
TELEPHONE NUMBER	011 013 0157
E-MAIL ADDRESS	rose.buyie@prasa.com

SUPPLIER INFORMATION

NAME OF BIDDER					
POSTAL ADDRESS					
STREET ADDRESS					
TELEPHONE NUMBER	CODE		NUMBER		
CELLPHONE NUMBER					
FACSIMILE NUMBER	CODE		NUMBER		
E-MAIL ADDRESS					
VAT REGISTRATION NUMBER					
SUPPLIER COMPLIANCE STATUS	TAX COMPLIANCE SYSTEM PIN:		OR	CENTRAL SUPPLIER DATABASE No:	MAAA.....

2.1 ARE YOU THE ACCREDITED REPRESENTATIVE IN SOUTH AFRICA FOR THE GOODS /SERVICES /WORKS OFFERED?	<input type="checkbox"/> Yes <input type="checkbox"/> No [IF YES ENCLOSE PROOF]	2.2 ARE YOU A FOREIGN BASED SUPPLIER FOR THE GOODS /SERVICES /WORKS OFFERED?	<input type="checkbox"/> Yes <input type="checkbox"/> No [IF YES, ANSWER THE QUESTIONNAIRE BELOW]
---	--	--	---

QUESTIONNAIRE TO BIDDING FOREIGN SUPPLIERS

IS THE ENTITY A RESIDENT OF THE REPUBLIC OF SOUTH AFRICA (RSA)?	<input type="checkbox"/> YES <input type="checkbox"/> NO
---	--

DOES THE ENTITY HAVE A BRANCH IN THE RSA? YES NO

DOES THE ENTITY HAVE A PERMANENT ESTABLISHMENT IN THE RSA? YES NO

DOES THE ENTITY HAVE ANY SOURCE OF INCOME IN THE RSA? YES NO

IS THE ENTITY LIABLE IN THE RSA FOR ANY FORM OF TAXATION? YES NO

IF THE ANSWER IS “NO” TO ALL OF THE ABOVE, THEN IT IS NOT A REQUIREMENT TO REGISTER FOR A TAX COMPLIANCE STATUS SYSTEM PIN CODE FROM THE SOUTH AFRICAN REVENUE SERVICE (SARS) AND IF NOT REGISTER AS PER 2.3 BELOW.

PART B: TERMS AND CONDITIONS FOR BIDDING

1. BID SUBMISSION:

- 1.1. BIDS MUST BE DELIVERED BY THE STIPULATED TIME TO THE CORRECT ADDRESS. LATE BIDS WILL NOT BE ACCEPTED FOR CONSIDERATION.
- 1.2. **ALL BIDS MUST BE SUBMITTED ON THE OFFICIAL FORMS PROVIDED– (NOT TO BE RE-TYPED) OR IN THE MANNER**
- 1.3. **PRESCRIBED IN THE BID DOCUMENT.**
- 1.4. THIS BID IS SUBJECT TO THE PREFERENTIAL PROCUREMENT POLICY FRAMEWORK ACT, 2000 AND THE PREFERENTIAL PROCUREMENT REGULATIONS, 2022, THE GENERAL CONDITIONS OF CONTRACT (GCC) AND, IF APPLICABLE, ANY OTHER SPECIAL CONDITIONS OF CONTRACT.

2. TAX COMPLIANCE REQUIREMENTS

- 2.1 BIDDERS MUST ENSURE COMPLIANCE WITH THEIR TAX OBLIGATIONS.
- 2.2 BIDDERS ARE REQUIRED TO SUBMIT THEIR UNIQUE PERSONAL IDENTIFICATION NUMBER (PIN) ISSUED BY SARS TO ENABLE PRASA TO VERIFY THE TAXPAYER'S PROFILE AND TAX STATUS.
- 2.3 APPLICATION FOR TAX COMPLIANCE STATUS (TCS) PIN MAY BE MADE VIA E-FILING THROUGH THE SARS WEBSITE WWW.SARS.GOV.ZA.
- 2.4 BIDDERS MAY ALSO SUBMIT A PRINTED TCS CERTIFICATE TOGETHER WITH THE BID.
- 2.5 IN BIDS WHERE CONSORTIA / JOINT VENTURES / SUB-CONTRACTORS ARE INVOLVED, EACH PARTY MUST SUBMIT A SEPARATE TCS CERTIFICATE / PIN / CSD NUMBER.
- 2.6 WHERE NO TCS PIN IS AVAILABLE BUT THE BIDDER IS REGISTERED ON THE CENTRAL SUPPLIER DATABASE (CSD), A CSD NUMBER MUST BE PROVIDED.
- 2.7 NO BIDS WILL BE CONSIDERED FROM PERSONS IN THE SERVICE OF THE STATE, COMPANIES WITH DIRECTORS WHO ARE PERSONS IN THE SERVICE OF THE STATE, OR CLOSE CORPORATIONS WITH MEMBERS PERSONS IN THE SERVICE OF THE STATE.

NB: FAILURE TO PROVIDE / OR COMPLY WITH ANY OF THE ABOVE PARTICULARS MAY RENDER THE BID INVALID.

SIGNATURE OF BIDDER:

CAPACITY UNDER WHICH THIS BID IS SIGNED:

(Proof of authority must be submitted e.g. company resolution)

DATE:

NB:

- ***Quotation(s) must be addressed to PRASA before the closing date and time shown above.***
- ***PRASA General Conditions of Purchase shall apply.***

SECTION 2

NOTICE TO BIDDERS

1. RESPONSES TO RFQ

Responses to this RFQ 10369364 must not include documents or reference relating to any other quotation or proposal. Any additional conditions must be embodied in an accompanying letter.

Proposals must reach PRASA before the closing hour on the date shown on SBD1 above and must be enclosed in a sealed envelope.

2 COMMUNICATION

Bidder/s are warned that a response will be liable for disqualification should any attempt be made either directly or indirectly to canvass any SCM Officer(s) or PRASA employee in respect of this RFQ between the closing date and the date of the award of the business.

3 BIDDERS COMPLAINTS PROCESS

3.1 Bidders are advised utilize this email address (Complaints@prasa.com) for lodging of complaints to PRASA in relation to this bid process. The following minimum information about the bidder must be included in the complaint:

3.1.1 Bid/Tender Description;

3.1.2 Bid/Tender Reference Number;

3.1.3 Closing date of Bid/Tender;

3.1.4 Supplier Name;

3.1.5 Supplier Contact details; and

3.1.6 The detailed compliant.

4 LEGAL COMPLIANCE

The successful Bidder shall be in full and complete compliance with any and all applicable national and local laws and regulations.

5 CHANGES TO QUOTATIONS

Changes by the Bidder to its submission will not be considered after the closing date and time.

6 PRICING

All prices must be quoted in South African Rand on a fixed price basis, including all applicable taxes.

7 BINDING OFFER

Any Quotation furnished pursuant to this RFQ shall be deemed to be an offer. Any exceptions to this statement must be clearly and specifically indicated.

8 DISCLAIMERS

PRASA is not committed to any course of action as a result of its issuance of this RFQ and/or its receipt of a Quotation in response to it. Please note that PRASA reserves the right to:

- Modify the RFQ's goods / service(s)/works and request Bidders to re-bid on any changes;
- Reject any Quotation which does not conform to instructions and specifications which are detailed herein; and
- Reject Quotations submitted after the stated submission deadline or at the incorrect venue.

Should a contract be awarded on the strength of information furnished by the bidder, which after conclusion of the contract, is proved to have been incorrect, PRASA reserves the right to cancel the contract.

PRASA reserves the right to award business to the highest scoring bidder/s unless objective criteria justify the award to another bidder.

Should the preferred bidder fail to sign or commence with the contract within a reasonable period after being requested to do so, PRASA reserves the right to award the business to the next highest ranked bidder provided that he/she/it is still prepared to provide the required goods at the quoted price.

9 LEGAL REVIEW

Proposed contractual terms and conditions submitted by a bidder will be subjected to review and acceptance or rejection by PRASA's Legal Counsel, prior to consideration for an award of business.

10 NATIONAL TREASURY'S CENTRAL SUPPLIER DATABASE

Bidders are required to self-register on National Treasury's Central Supplier Database (CSD) which has been established to centrally administer supplier information for all organs of state and facilitate the verification of certain key supplier information. PRASA is required to ensure that price quotations are invited and accepted from prospective bidders listed on the CSD. Business may not be awarded to a bidder who has failed to register on the CSD. Only foreign suppliers with no local registered entity need not register on the CSD. The CSD can be accessed at <https://secure.csd.gov.za/>.

11 PROTECTION OF PERSONAL DATA

In responding to this bid, PRASA acknowledges that it may obtain and have access to personal data of the Bidders. PRASA agrees that it shall only process the information disclosed by Bidders in their response to this bid for the purpose of evaluating and subsequent award of business and in accordance with any applicable law.

Furthermore, PRASA will not otherwise modify, amend or alter any personal data submitted by Bidders or disclose or permit the disclosure of any personal data to any Third Party without the prior written consent from the Bidders. Similarly, PRASA requires Bidders to process any personal information disclosed by PRASA in the bidding process in the same manner.

12 EVALUATION METHODOLOGY

PRASA will utilise the following criteria in choosing a Supplier/Service Provider:

EVALUATION CRITERIA	WEIGHTING
Stage 1 – Compliance	
Stage 1A	Mandatory Requirements
Stage 1B	Other Mandatory Requirements
Stage 2	
Technical/Functional Requirements	Not Applicable
Stage 3	
Price	80
Specific Goals	20
TOTAL	100

13 ADMINISTRATIVE RESPONSIVENESS

The test for administrative responsiveness will include completeness of response and whether all returnable and/or required documents, certificates; verify completeness of warranties and other bid requirements and formalities have been complied with. Incomplete Bids will be disqualified.

14 VALIDITY PERIOD

14.1 PRASA requires a validity period of **60 Working Days** from the closing date.

14.2 Bidders are to note that they may be requested to extend the validity period of their response, on the same terms and conditions, if the internal processes are not finalized within the validity period. However, once the delegated authority has approved the process the validity of the successful bidder(s)' bid will be deemed to remain valid until finalization of the of award.).

15 PUBLICATION OF INFORMATION ON THE NATIONAL TREASURY E-TENDER PORTAL

Bidders are to note that, bid awards, amendments and cancellations will be published on the e-tender portal and or media used to advertise the bid. For the award of business, PRASA is required to publish the prices and preferences claimed of the successful and unsuccessful Bidders *inter alia* on the National Treasury e-Tender Publication Portal, (www.etenders.gov.za), on CIDB website for construction related RFQ's. (*Where applicable*).

16 RETURNABLE DOCUMENTS

Returnable Documents means all the documents, Sections and Annexures, as listed in the tables below. There are three types of returnable documents as indicated below and Bidders are urged to ensure that these documents are returned with the quotation based on the consequences of non-submission as indicated below:

16.1. Mandatory Returnable Documents

Failure to provide Mandatory Returnable Documents at the Closing Date and time of this RFQ will result in a Bidder's disqualification. Bidders are therefore urged to ensure that all documents are returned with their Quotations.

SECTION 3

1 EVALUATION CRITERIA:

Stage 1A – Mandatory Requirements

If you do not submit the following mandatory documents/requirements, your bid will be automatically disqualified.

Only bidders who comply with stage 1A will be evaluated further.

No.	Description of requirement	Yes/No
a)	<p>For all quoted items, bidders must submit descriptive literature consisting of a detailed technical description of the product offered, general constructional details, and principal dimensions, together with clear illustrations of each equipment offered.</p> <p><i>If the standard literature description does not contain this additional information, the bidder must add it.</i></p> <ul style="list-style-type: none"> • The battery requirements of the tester and the expected service life of the batteries at 20 operations per day. • Spare components recommended and availability for local repair. • The mass of the tool. • Experience in the durability of the tester during normal daily use, including weather ability and sustained insulation values. 	
b)	The Bidders must submit a letter from the OEM - Original Equipment Manufacturer /OEM agent authorizing the bidder to supply the equipment to PRASA.	
c)	All equipment offered must come with a guarantee of 24 months, and the guaranteed policy/Warranty document must be submitted at the closing of the RFQ	
d)	<p>Bidders must provide evidence, three (3) signed reference letters confirming successful completion of Supply and delivery of Electrical tools/materials in the past 3 years. Each reference letter must be issued on the client's official letterhead and must include a brief description of the electrical tools/materials supplied, the client's name and contact details, and the delivery period.</p> <p>PRASA reserves the right to verify the submitted reference letters.</p>	

Stage 1B –Other Mandatory Requirements

If you do not submit the following mandatory documents/requirements, PRASA may request the bidder to submit the information within three (3) working days. Should this information not be provided, your bid proposal will be disqualified.

Only bidders who comply with stage 1B will be evaluated further.

No.	Description of requirement	
a)	Joint Venture, Consortium Agreement or Partnering Agreement/ Subcontract Agreement signed by all parties. The agreement should indicate the leading bidder (where applicable).	
b)	Supply of valid SARS Pin	

c)	Completion of ALL RFP documentation (includes ALL declarations)	
d)	CSD supplier registration number	

2.1 Stage 3- Price and Specific Goals

The following formula, shall be used to allocate scores to the interested bidders :

The maximum points for this tender are allocated as follows:

DETAILS	POINTS
PRICE	80
SPECIFIC GOALS	20
TOTAL POINTS FOR PRICE AND SPECIFIC GOALS	100

FORMULAE FOR PROCUREMENT OF GOODS AND SERVICES

POINTS AWARDED FOR PRICE

THE 80/20 PREFERENCE POINT SYSTEMS

A maximum of 80 points is allocated for price on the following basis:

80/20

$$PS = 80 \left(1 - \frac{Pt - Pmin}{Pmin} \right)$$

Where

Ps = Points scored for price of tender under consideration

Pt = Price of tender under consideration

Pmin = Price of lowest acceptable tender

POINTS AWARDED FOR SPECIFIC GOALS

3.1. In terms of Regulation 4(2); 5(2); 6(2) and 7(2) of the Preferential Procurement Regulations, preference points must be awarded for specific goals stated in the tender. For the purposes of this tender the tenderer will be allocated points based on the goals stated in table 1 below as may be supported by proof/ documentation stated in the conditions of this tender:

Table 1: Specific goals for the tender and points claimed are indicated per the table below.

Note to tenderers: The tenderer must indicate how they claim points for each preference point system.)

The specific goals allocated points in terms of this tender	Number of points allocated (80/20 system) (To be completed by the organ of state)	Number of points claimed (80/20 system) (To be completed by the tenderer)	Accepted evidence to be provided by bidder
Level1 or 2 B-BBEE Contributor	4		Sworn Affidavit or BBEE Certificate issued by SANAS approved agency
At least 51% owned by People in the rural areas	4		Municipal/ESKOM bill or letter from Induna/Chief confirming residential address not older than 3 months
At least 51% owned by Black Youth	4		Certified copies of ID Documents of the Owners
At least 51% owned by Black Women	4		Certified copies of ID Documents of the Owners
At least 51% owned by black persons with disabilities	4		Certified copies of ID Documents of the Owners and Doctor's note confirming the disability
TOTAL	20		

- 4.1** Section 2(1)(f) of the PPPFA empowers an organ of state to award a tender to the highest scoring bidder unless there is an objective criteria that justify the award to another tenderer.
- 4.2** PRASA reserves the right to apply the objective criteria for this bid.
- 4.3** PRASA may award a bid to a bidder that did not score the highest points under the following circumstances:
- a) A negative track record of the bidder in other related projects;
 - b) spreading the award to bidders that have not been previously appointed;
 - c) the need to avoid concentrating awards to the previously appointed bidders. Prasa shall take into account the following:
 - i. the number of bid(s) awarded to the highest scoring bidder(s) in the preceding financial years;
 - ii. the capacity of the highest scoring bidder(s) despite the previous appointments;
 - iii. the value and scope of the bid(s) already awarded to the highest scoring bidder(s);
 - iv. the materiality of the price difference between the highest scoring bidder and other bidders; and
 - v. whether the goods, services or works are of a specialised nature.
- 4.4** PRASA reserves the right to split the award of this bid to more than one service provider, provided that the nature of the services or goods or works to be provided are capable of being split to more than one service provider.
- 4.5 APPOINTMENTS OTHER THAN THE SUCCESSFUL BIDDER**
- 4.6** PRASA may appoint a bidder other than the successful bidder under the following instances:

- (i) When a successful bidder, after having been informed of the acceptance of its Bid, fails to sign a contract within a prescribe period of time e.g. 14 (fourteen) days after being called upon to do so;
 - (ii) When a successful bidder has failed to provide the necessary security, bonds or guarantees within the time required to do so by PRASA;
 - (iii) When a successful bidder fails to meet a condition precedent for the award of business (e.g. to obtain the necessary funding); and
 - (iv) When final contract negotiations with a preferred bidder fails and a contract is not agreed upon.
- 4.7** PRASA will only award a bid to a bidder other than the highest scoring bidder provided that such bid is still within the bid validity period.
- 4.8** Only if the second ranked bidder is also unable/unwilling, PRASA may proceed to the third ranked bidder.

SECTION 4

PRICING AND DELIVERY SCHEDULE

Bidders are required to complete the attached Pricing Schedule **Section 7**

- 1 Prices must be quoted in South African Rand, inclusive of all applicable taxes.
- 2 Price offer is firm and clearly indicate the basis thereof.

- 3 Pricing Bill of Quantity is completed in line with schedule if applicable (delete if not applicable).
- 4 Cost breakdown must be indicated.
- 5 Price escalation basis and formula must be indicated.
- 6 To facilitate like-for like comparison bidders must submit pricing strictly in accordance with this price schedule and not utilise a different format. Deviation from this pricing schedule could result in a bid being declared non-responsive.
- 7 Please note that should you have offered a discounted price(s), PRASA will only consider such price discount(s) in the final evaluation stage on an unconditional basis.
- 8 Bidders are to note that if price offered by the highest scoring bidder is not market related, PRASA may not award the contract to the Bidder. PRASA may:
 - 9 Negotiate a market-related price with the Bidder scoring the highest points;
 - 10 If that Bidder does not agree to a market-related price, negotiate a market-related price with the Bidder scoring the second highest points;
 - 11 If the Bidder scoring the second highest points does not agree to a market-related price, negotiate a market-related price with the Bidder scoring the third highest points;
 - 12 If a market-related price is not agreed with the Bidder scoring the third highest points, PRASA must cancel the RFQ.

I / We _____ (Insert Name of Bidding Entity) of

_____ code _____

(Full address) conducting business under the style or title of: _____ represented by:

_____ in my capacity as:

_____ being duly authorised, hereby offer to undertake and complete the above-mentioned work/services at the prices quoted in the bills of quantities / schedule of quantities or, where these do not form part of the contract, at a lumpsum, of _____ R

_____ (amount in numbers);

_____ (amount in words) Incl. VAT.

DELIVERY PERIOD: Suppliers are requested to offer their earliest delivery period possible.

Delivery will be effected within working days from date of order. (To be completed by Service provider)

SECTION 5

PRASA GENERAL CONDITIONS OF PURCHASE

General

PRASA and the Supplier enter into an order/contract on these conditions to supply the items (goods/services/works) as described in the order/contract.

Conditions

These conditions form the basis of the contract between PRASA and the Supplier. Notwithstanding anything to the contrary in any document issued or sent by the Supplier, these conditions apply except as expressly agreed in writing by PRASA.

No servant or agent of PRASA has authority to vary these conditions orally. These general conditions of purchase are subject to such further special conditions as may be prescribed in writing by PRASA in the order/contract.

Price and payment

The price or rates for the items stated in the order/contract may include an amount for price adjustment, which is calculated in accordance with the formula stated in the order/contract.

The Supplier may be paid in one currency other than South African Rand. Only one exchange rate is used to convert from this currency to South African Rand. Payment to the Supplier in this currency other than South African Rand, does not exceed the amounts stated in the order/contract. PRASA pays for the item within 30 days of receipt of the Suppliers correct tax invoice.

Delivery and documents

The Supplier's obligation is to deliver the items on or before the date stated in the order/contract. Late deliveries or late completion of the items may be subject to a penalty if this is imposed in the order/contract. No payment is made if the Supplier does not provide the item as stated in order/contract.

Where items are to be delivered the Supplier:

Clearly marks the outside of each consignment or package with the Supplier's name and full details of the destination in accordance with the order and includes a packing note stating the contents thereof; On dispatch of each consignment, sends to PRASA at the address for delivery of the items, an advice note specifying the means of transport, weight, number of volume as appropriate and the point and date of dispatch; Sends to PRASA a detailed priced invoice as soon as is reasonably practical after dispatch of the items, and states on all communications in respect of the order the order number and code number (if any).

Containers / packing material

Unless otherwise stated in the order/contract, no payment is made for containers or packing materials or return to the Supplier.

Title and risk

Without prejudice to rights of rejection under these conditions, title to and risk in the items passes to PRASA when accepted by PRASA.

Rejection

If the Supplier fails to comply with his obligations under the order/contract, PRASA may reject any part of the items by giving written notice to the Supplier specifying the reason for rejection and whether and within what period replacement of items or re-work are required.

In the case of items delivered, PRASA may return the rejected items to the Supplier at the Supplier's risk and expense. Any money paid to the Supplier in respect of the items not replaced within the time required, together with the costs of returning rejected items to the Supplier and obtaining replacement items from a third party, are paid by the Supplier to PRASA.

In the case of service, the Supplier corrects non-conformances as indicated by PRASA.

Warranty

Without prejudice to any other rights of PRASA under these conditions, the Supplier warrants that the items are in accordance with PRASA's requirements, and fit for the purpose for which they are intended, and will remain free from defects for a period of one year (unless another period is stated in the Order) from acceptance of the items by PRASA.

Indemnity

The Supplier indemnifies PRASA against all actions, suits, claims, demands, costs, charges and expenses arising in connection therewith arising from the negligence, infringement of intellectual or legal rights or breach of statutory duty of the Supplier, his subcontractors, agents or servants, or from the Supplier's defective design, materials or workmanship.

The Supplier indemnifies PRASA against claims, proceedings, compensation and costs payable arising out of infringement by the Supplier of the rights of others, except an infringement which arose out of the use by the Supplier of things provided by PRASA.

Assignment and sub-contracting

The successful Bidder awarded the contract may only enter into a subcontracting arrangement with PRASA's prior approval. The contract will be concluded between the successful Bidder and PRASA, therefore, the successful Bidder and not the sub-contractor will be held liable for performance in terms of its contractual obligations.

Governing law

The order/contract is governed by the law of the Republic of South Africa and the parties hereby submit to the non-exclusive jurisdiction of the South African courts.

SECTION 6
SBD4
BIDDER'S DISCLOSURE

1. PURPOSE OF THE FORM

Any person (natural or juristic) may make an offer or offers in terms of this invitation to bid. In line with the principles of transparency, accountability, impartiality, and ethics as enshrined in the Constitution of the Republic of South Africa and further expressed in various pieces of legislation, it is required for the bidder to make this declaration in respect of the details required hereunder.

Where a person/s are listed in the Register for Tender Defaulters and / or the List of Restricted Suppliers, that person will automatically be disqualified from the bid process.

2. Bidder's declaration

2.1 Is the bidder, or any of its directors / trustees / shareholders / members / partners or any person having a controlling interest¹ in the enterprise, employed by the state? **YES/NO**

2.1.1 If so, furnish particulars of the names, individual identity numbers, and, if applicable, state employee numbers of sole proprietor/ directors / trustees / shareholders / members/ partners or any person having a controlling interest in the enterprise, in table below.

Full Name	Identity Number	Name of State institution

2.2 Do you, or any person connected with the bidder, have a relationship with any person who is employed by the procuring institution? **YES/NO**

2.2.1 If so, furnish particulars:
.....
.....

2.3 Does the bidder or any of its directors / trustees / shareholders / members / partners or any person having a controlling interest in the enterprise have any interest in any other related enterprise whether or not they are bidding for this contract? **YES/NO**

2.3.1 If so, furnish particulars:
.....
.....

3 Bidder's declaration regarding PEPs/PIPs

¹ the power, by one person or a group of persons holding the majority of the equity of an enterprise, alternatively, the person/s having the deciding vote or power to influence or to direct the course and decisions of the enterprise.

PRASA requires bidders to disclose if they have Politically Exposed Persons (“PEP”)² or Prominent Influential Persons (“PIP”)³ and related individuals in their organisation and/or beneficial owners / shareholders who are PEP/PIP.

PRASA reserves the right not to enter into a business relationship with such person, official or entity, provided there are objective factors that justify the conclusion of such business relationship, and the decision is based on achieving the best interest of PRASA.⁴

3.1 Is the bidder a PEP/PIP? **YES/NO**

3.2 Does the bidder have an existing relationship with a PEP/PIP? **YES/NO**

3.3 Where a relationship with a PEP/PIP exists, the bidder is required to furnish particulars of the nature of the exposure, term of the office and description of activities relating to exposure, in table below.

Name of PEP/PIP & Nature of the Exposure/Influence	Term of the office	Description of activities relating to Exposure/Influence

3.4 Declaration:

I/We the undersigned _____ (Name) hereby certify that the PEP/PIP information furnished in this bid document is true and correct. We further certify that we understand that where it is found that we have made a false declaration or statement in this bid, PRASA may disqualify our bid or terminate a contract we may have with PRASA where we are successful in this tender.

Signature

Date

Position

Name of Bidder

² Both foreign and domestic politically exposed person as specified in Schedule 3A and 3B of the Financial Intelligence Centre Act No. 38 of 2001 as amended. (refer to Annexure 2 of the PRASA Code of Conduct for dealing with Politically Exposed Persons, Prominent Influential Persons and Related Parties).

³ As reflected in Schedule 3C of the Financial Intelligence Centre Act No.38 of 2001 (refer to Annexure 2.1.2 of the PRASA Code of Conduct for dealing with Politically Exposed Persons, Prominent Influential Persons and Related Parties).

⁴ Clause 4.5 of the PRASA Code of Conduct for dealing with Politically Exposed Persons, Prominent Influential Persons and Related Parties.

4 DECLARATION

I, the undersigned, (name)..... in submitting the accompanying bid, do hereby make the following statements that I certify to be true and complete in every respect:

- 3.1 I have read and I understand the contents of this disclosure;
- 3.2 I understand that the accompanying bid will be disqualified if this disclosure is found not to be true and complete in every respect;
- 3.3 The bidder has arrived at the accompanying bid independently from, and without consultation, communication, agreement or arrangement with any competitor. However, communication between partners in a joint venture or consortium⁵ will not be construed as collusive bidding.
- 3.4 In addition, there have been no consultations, communications, agreements or arrangements with any competitor regarding the quality, quantity, specifications, prices, including methods, factors or formulas used to calculate prices, market allocation, the intention or decision to submit or not to submit the bid, bidding with the intention not to win the bid and conditions or delivery particulars of the products or services to which this bid invitation relates.
- 3.4 The terms of the accompanying bid have not been, and will not be, disclosed by the bidder, directly or indirectly, to any competitor, prior to the date and time of the official bid opening or of the awarding of the contract.
- 3.5 There have been no consultations, communications, agreements or arrangements made by the bidder with any official of the procuring institution in relation to this procurement process prior to and during the bidding process except to provide clarification on the bid submitted where so required by the institution; and the bidder was not involved in the drafting of the specifications or terms of reference for this bid.
- 3.6 I am aware that, in addition and without prejudice to any other remedy provided to combat any restrictive practices related to bids and contracts, bids that are suspicious will be reported to the Competition Commission for investigation and possible imposition of administrative penalties in terms of section 59 of the Competition Act No 89 of 1998 and or may be reported to the National Prosecuting Authority (NPA) for criminal investigation and or may be restricted from conducting business with the public sector for a period not exceeding ten (10) years in terms of the Prevention and Combating of Corrupt Activities Act No 12 of 2004 or any other applicable legislation.

I CERTIFY THAT THE INFORMATION FURNISHED IN PARAGRAPHS 1, 2, 3 and 4 ABOVE IS CORRECT.
 I ACCEPT THAT THE STATE MAY REJECT THE BID OR ACT AGAINST ME IN TERMS OF PARAGRAPH 6 OF PFMA SCM INSTRUCTION 03 OF 2021/22 ON PREVENTING AND COMBATING ABUSE IN THE SUPPLY CHAIN MANAGEMENT SYSTEM SHOULD THIS DECLARATION PROVE TO BE FALSE.

..... Signature Date
..... Position Name of bidder

SBD 6.1

PREFERENCE POINTS CLAIM FORM IN TERMS OF THE PREFERENTIAL PROCUREMENT REGULATIONS 2022

⁵ Joint venture or Consortium means an association of persons for the purpose of combining their expertise, property, capital, efforts, skill and knowledge in an activity for the execution of a contract.

This preference form must form part of all tenders invited. It contains general information and serves as a claim form for preference points for specific goals.

NB: BEFORE COMPLETING THIS FORM, TENDERERS MUST STUDY THE GENERAL CONDITIONS, DEFINITIONS AND DIRECTIVES APPLICABLE IN RESPECT OF THE TENDER AND PREFERENTIAL PROCUREMENT REGULATIONS, 2022

1. GENERAL CONDITIONS

1.1 The following preference point systems are applicable to invitations to tender:

- the 80/20 system for requirements with a Rand value of up to R50 000 000 (all applicable taxes included); and
- the 90/10 system for requirements with a Rand value above R50 000 000 (all applicable taxes included).

1.2 **To be completed by the organ of state**

- a) The applicable preference point system for this tender is the 80/20 preference point system.
- b) The 80/20 preference point system will be applicable in this tender. The lowest/ highest acceptable tender will be used to determine the accurate system once tenders are received.

1.3 Points for this tender (even in the case of a tender for income-generating contracts) shall be awarded for:

- (a) Price; and
- (b) Specific Goals.
- (c) **To be completed by the organ of state:**

The maximum points for this tender are allocated as follows:

	POINTS
PRICE	
SPECIFIC GOALS	
Total points for Price and Specific Goals	100

1.4 Failure on the part of a tenderer to submit proof or documentation required in terms of this tender to claim points for specific goals with the tender, will be interpreted to mean that preference points for specific goals are not claimed.

1.5 The organ of state reserves the right to require of a tenderer, either before a tender is adjudicated or at any time subsequently, to substantiate any claim in regard to preferences, in any manner required by the organ of state.

2. DEFINITIONS

- (a) **“tender”** means a written offer in the form determined by an organ of state in response to an invitation to provide goods or services through price quotations, competitive tendering process or any other method envisaged in legislation;
- (b) **“price”** means an amount of money tendered for goods or services, and includes all applicable taxes less all unconditional discounts;
- (c) **“rand value”** means the total estimated value of a contract in Rand, calculated at the time of bid invitation, and includes all applicable taxes;
- (d) **“tender for income-generating contracts”** means a written offer in the form determined by an organ of state in response to an invitation for the origination of income-generating contracts through any method envisaged in legislation that will result in a legal agreement between the organ of state and a third party that produces revenue

for the organ of state, and includes, but is not limited to, leasing and disposal of assets and concession contracts, excluding direct sales and disposal of assets through public auctions; and

(e) “the Act” means the Preferential Procurement Policy Framework Act, 2000 (Act No. 5 of 2000).

3. FORMULAE FOR PROCUREMENT OF GOODS AND SERVICES

3.2. POINTS AWARDED FOR PRICE

3.1.1 THE 80/20 PREFERENCE POINT SYSTEMS

A maximum of 80 points is allocated for price on the following basis:

80/20

$$P_s = 80 \left(1 - \frac{P_t - P_{min}}{P_{min}} \right)$$

Where

P_s = Points scored for price of tender under consideration

P_t = Price of tender under consideration

P_{min} = Price of lowest acceptable tender

3.3. FORMULAE FOR DISPOSAL OR LEASING OF STATE ASSETS AND INCOME GENERATING PROCUREMENT

3.3.1. POINTS AWARDED FOR PRICE

A maximum of 80 points is allocated for price on the following basis:

80/20

$$P_s = 80 \left(1 + \frac{P_t - P_{max}}{P_{max}} \right)$$

Where

P_s = Points scored for price of tender under consideration

P_t = Price of tender under consideration

P_{max} = Price of highest acceptable tender

4. POINTS AWARDED FOR SPECIFIC GOALS

4.1. In terms of Regulation 4(2); 5(2); 6(2) and 7(2) of the Preferential Procurement Regulations, preference points must be awarded for specific goals stated in the tender. For the purposes of this tender the tenderer will be allocated points based on the goals stated in table 1 below as may be supported by proof/ documentation stated in the conditions of this tender:

4.2. In cases where organs of state intend to use Regulation 3(2) of the Regulations, which states that, if it is unclear whether the 80/20 or 90/10 preference point system applies, an organ of state must, in the tender documents, stipulate in the case of—

- (a) an invitation for tender for income-generating contracts, that either the 80/20 or 90/10 preference point system will apply and that the highest acceptable tender will be used to determine the applicable preference point system; or
- (b) any other invitation for tender, that either the 80/20 or 90/10 preference point system will apply and that the lowest acceptable tender will be used to determine the applicable preference point system,

then the organ of state must indicate the points allocated for specific goals for both the 90/10 and 80/20 preference point system.

Table 1: Specific goals for the tender and points claimed are indicated per the table below.

(Note to organs of state: Where either the 90/10 or 80/20 preference point system is applicable, corresponding points must also be indicated as such.

Note to tenderers: The tenderer must indicate how they claim points for each preference point system.)

The specific goals allocated points in terms of this tender	Number of points allocated (80/20 system) (To be completed by the organ of state)	Number of points claimed (80/20 system) (To be completed by the tenderer)	Accepted evidence to be provided by bidder
Level1 or 2 B-BBEE Contributor	4		Sworn Affidavit or B-BBEE Certificate issued by a SANAA approved agency
At least 51% owned by People in the rural areas	4		Municipal/ESKOM bill or letter from Induna/Chief confirming residential address not older than 3 months
At least 51% owned by Black Youth	4		Certified copies of ID Documents of the Owners
At least 51% owned by Black Women	4		Certified copies of ID Documents of the Owners
At least 51% owned by black persons with disabilities	4		Certified copies of ID Documents of the Owners and Doctor's note confirming the disability
TOTAL	20		

DECLARATION WITH REGARD TO COMPANY/FIRM

4.3. Name of company/firm.....

4.4. Company registration number:

4.5. TYPE OF COMPANY/ FIRM

- Partnership/Joint Venture / Consortium
- One-person business/sole propriety
- Close corporation
- Public Company
- Personal Liability Company
- (Pty) Limited
- Non-Profit Company
- State Owned Company

[TICK APPLICABLE BOX]

4.6. I, the undersigned, who is duly authorised to do so on behalf of the company/firm, certify that the points claimed, based on the specific goals as advised in the tender, qualifies the company/ firm for the preference(s) shown and I acknowledge that:

- i) The information furnished is true and correct;
- ii) The preference points claimed are in accordance with the General Conditions as indicated in paragraph 1 of this form;
- iii) In the event of a contract being awarded as a result of points claimed as shown in paragraphs 1.4 and 4.2, the contractor may be required to furnish documentary proof to the satisfaction of the organ of state that the claims are correct;
- iv) If the specific goals have been claimed or obtained on a fraudulent basis or any of the conditions of contract have not been fulfilled, the organ of state may, in addition to any other remedy it may have
 - (a) disqualify the person from the tendering process;
 - (b) recover costs, losses or damages it has incurred or suffered as a result of that person’s conduct;
 - (c) cancel the contract and claim any damages which it has suffered as a result of having to make less favourable arrangements due to such cancellation;
 - (d) recommend that the tenderer or contractor, its shareholders and directors, or only the shareholders and directors who acted on a fraudulent basis, be restricted from obtaining business from any organ of state for a period not exceeding 10 years, after the *audi alteram partem* (hear the other side) rule has been applied; and
 - (e) forward the matter for criminal prosecution, if deemed necessary.

 SIGNATURE(S) OF TENDERER(S)
SURNAME AND NAME:
DATE:
ADDRESS:

**SECTION 7
BOQ/ PRICING SCHEDULE**

ITEM NO	DESCRIPTION	Material Number	UNIT	QTY	UNIT PRICE		TOTAL AMOUNT	
					R	C	R	C
01	Inclinometer			6				
02	Pantograph calibration weights			4				
03	Back-to-Back			2				
04	ADD Test Tool			2				
05	Laser Heigh Gauge			2				
06	Leather strip wrench			2				
07	Test Bars			5				
08	RIC key			50				
09	EMU Pannel keys			50				
10	Rechargeable Headlight LED Torch			50				
11	Rechargeable LED Torch			50				
12	Old oil disposal tank.			1				
13	Leaf chain wear gauge.			5				
14	Engineering EMU download tools			6				
15	Inter car walkway bridge			20				
16	Inclinometer ERTMS			6				
07	24-month guarantee	N/A	All items on BOQ	1				
TOTAL								
VAT 15%								
GRAND TOTAL								

1. Scope

- 1.1. The scope covers the procurement of EMU Maintenance Instruments.

2. Definitions.

- 2.1. **Metrorail:** Suburban commuter rail transport.
- 2.2. **EMU:** Electrical Multiple Units
- 2.3. **PRASA:** Passenger Rail Agency of South Africa.
- 2.4. **"Supply"** includes fabrication, installation, testing and commissioning and Certification of the equipment/Instruments/Tools.

3. Scope of the Supply.

The scope of a supplier is for providing PRASA Engineering with tools/Instruments as prescribed in the EMU Manual Instruction for proper and standard maintenance of EMU sets in line with Prasa requirements for Maintenance Best Practices, this includes and is not limited to the following:

Tool/Equipment Supply:

3.1. Quality Assurance:

3.1.1. **Standards Compliance:** Ensuring all tools and equipment meet relevant industry standards and specifications.

3.1.2. **Inspection and Testing:** Pre-delivery inspection and testing of tools and equipment to ensure they are in proper working condition.

3.2. **After Sale Support:** Warrantee, Spares, Technical service.

3.3. Technical Documentation:

3.3.1. **User Manuals:** Detailed manuals for all supplied tools and equipment.

3.3.2. **Standards Compliance:** Provide compliance certification

4. Requirements.

Suppliers are hereby invited to supply the following services to Prasa Braamfontein Metrorail Depot;

- 4.1. To supply and deliver tools and instruments for performing preventative and corrective maintenance on EMU fleet at the Wolmerton Maintenance Depot.

5. Technical Requirements.

Guarantee and Inherent Defects:

- 5.1. Until such time that equipment warrantee has expired (eg. 12 months), the approved supplier shall be entirely responsible for repairing all defects occurring within stipulated warrantee period.
- 5.2. Quality of work must be as set by Prasa requirements and relevant standards.
- 5.3. The approved supplier shall guarantee that when the equipment fails it will be repaired and returned to service within 10 (ten) working days, from the date of being notified of the defect.

5.4. Document Management.

- 5.4.1. Standard certificate of compliance, calibration and guarantee should be submitted during the delivery.
- 5.4.2. Technical and Service manuals should be submitted during the delivery.

6. Pricing and delivery




schedule Definitions

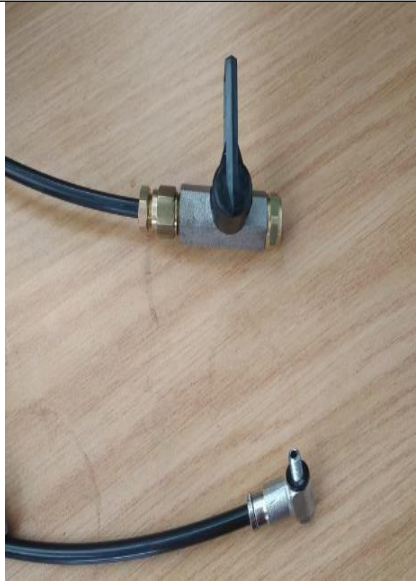
SANS – South African National
Standard ISO – International standard
organization





	DESCRIPTION	QTY	UNIT OF PRICE	TOTAL (Including VAT)
1	Inclinometer	6	R	R
2	Pantograph calibration weights	4	R	R
3	Back-to-Back	2	R	R
4	ADD Test Tool	2	R	R
5	Laser Heigh Gauge	2	R	R
6	Leather strip wrench	2	R	R
7	Test Bars	5	R	R
8	RIC key	50	R	R
9	EMU Pannel keys	50	R	R
10	Rechargeable Headlight LED Torch	50	R	R
11	Rechargeable LED Torch	50	R	R
12	Old oil disposal tank.	1	R	R
13	Leaf chain wear gauge.	5	R	R
14	Engineering EMU download tools	6	R	R
15	Inter car walkway bridge	20	R	R
16	Inclinometer ERTMS	6	R	R
TOTAL				R





7. Specification

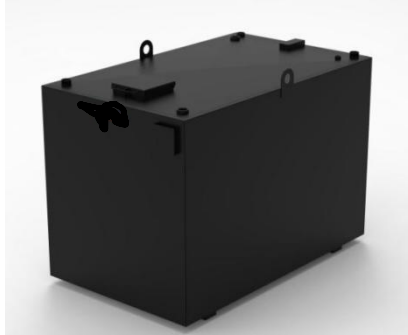

	Name	Application	Description	Image
--	------	-------------	-------------	-------

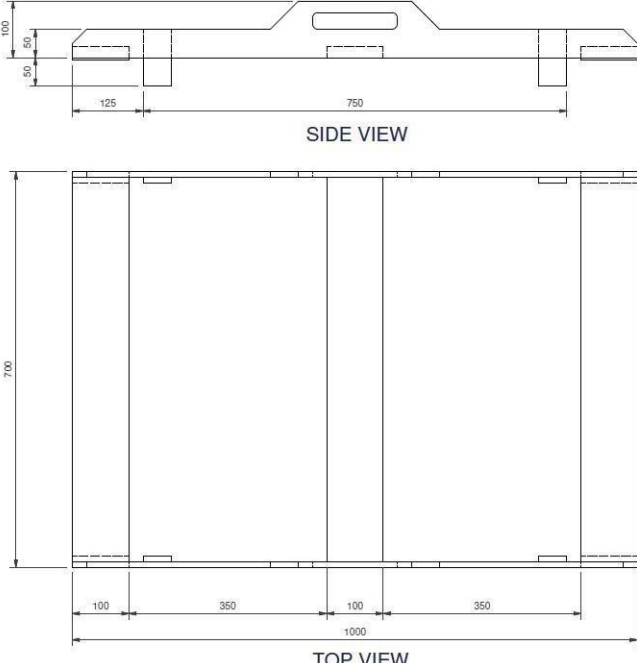
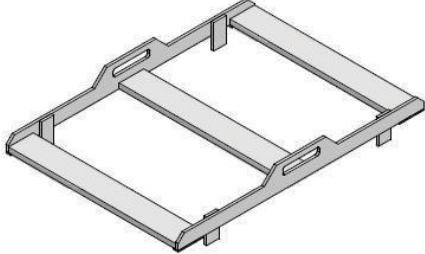

	Name	Application	Description	Image				
1	Inclinometer	Inclinometer digital XUNTOP USB Charging Digital Level Box Angle Finder with Electronic Laser, 4-Side Strong Magnetic Angle Gauge IP54 Waterproof Inclinometer Level.	<ul style="list-style-type: none"> • Measuring Range: 4 x 90° • Resolution: 0.1° • Repeatability: ±0.2° • Operating Temperature: 0 ~ 40 °C • Operating Humidity: 40 ~ 80% • Dimensions: 55*16*55mm • 4 Magnetic sides • Or Equivalent 					
2	Pantograph calibration weights	Measuring the contact force, raising & lowering of a pantograph	<p>For testing pantographs.</p> <p>Features Stainless steel round weights with hooks and eyebolt.</p> <p>Technical data: 35 Newtons = 3.569 Kg (x2) 50 Newtons =5.098 Kg (x2)</p>					
	Back-to-Back	Electronic gauge is designed for measuring back-to-back distance of railway, metro and tram wheels in the course of checkup, examination, repair and formation of wheel sets. Measurements are made directly on rolling stock without wheel set roll-out.	<table border="1"> <tr> <td data-bbox="641 1606 828 1732">Measurement range, mm</td> <td data-bbox="828 1606 1068 1732">L±25 (L — nominal distance)</td> </tr> <tr> <td data-bbox="641 1732 828 1848">Measurement error, mm</td> <td data-bbox="828 1732 1068 1848">±0.1</td> </tr> </table>	Measurement range, mm	L±25 (L — nominal distance)	Measurement error, mm	±0.1	
Measurement range, mm	L±25 (L — nominal distance)							
Measurement error, mm	±0.1							

	Name	Application	Description		Image	
3			Indication discreteness	0.1mm, or 0.01 inch **		
			Display	build-in, LED		
			Operating temperature, °C	-5...+40		
			Weigh, kg	1		
			Dimensions, mm	(L+137)x124x22		
			Power supply	rechargeable batteries 4xAA, 1.2V		
4	ADD Test Tool					

	Name	Application	Description	Image																				
5	Laser Height Gauge	Used to measure distance, calculate area and volume, it has Pythagoras functions and a built-in angle slope meter.	<table border="1"> <thead> <tr> <th data-bbox="646 373 732 394">Features</th> <th data-bbox="906 373 1029 394">Specification</th> </tr> </thead> <tbody> <tr> <td data-bbox="662 401 769 422">Working range :</td> <td data-bbox="922 401 1008 422">0.05 to 100 m</td> </tr> <tr> <td data-bbox="662 426 732 447">Accuracy :</td> <td data-bbox="922 426 976 447">±1.5 mm</td> </tr> <tr> <td data-bbox="662 451 862 472">Minimum unit of measurement :</td> <td data-bbox="922 451 959 472">1 mm</td> </tr> <tr> <td data-bbox="662 476 743 497">Laser class :</td> <td data-bbox="922 476 932 497">2</td> </tr> <tr> <td data-bbox="662 501 743 522">Laser type :</td> <td data-bbox="922 501 1052 522">620-690 nm, < 1 mW</td> </tr> <tr> <td data-bbox="662 527 792 548">Automatic shut-off :</td> <td data-bbox="922 527 971 548">180 sec</td> </tr> <tr> <td data-bbox="662 552 727 573">Battery :</td> <td data-bbox="922 552 997 573">2x AAA /1.5</td> </tr> <tr> <td data-bbox="662 577 748 598">Dimensions :</td> <td data-bbox="922 577 1008 598">113x47x25mm</td> </tr> <tr> <td data-bbox="662 602 727 623">Weight :</td> <td data-bbox="922 602 976 623">±105 g</td> </tr> </tbody> </table> <ul style="list-style-type: none"> <li data-bbox="634 646 846 667">● Or Equivalent 	Features	Specification	Working range :	0.05 to 100 m	Accuracy :	±1.5 mm	Minimum unit of measurement :	1 mm	Laser class :	2	Laser type :	620-690 nm, < 1 mW	Automatic shut-off :	180 sec	Battery :	2x AAA /1.5	Dimensions :	113x47x25mm	Weight :	±105 g	
Features	Specification																							
Working range :	0.05 to 100 m																							
Accuracy :	±1.5 mm																							
Minimum unit of measurement :	1 mm																							
Laser class :	2																							
Laser type :	620-690 nm, < 1 mW																							
Automatic shut-off :	180 sec																							
Battery :	2x AAA /1.5																							
Dimensions :	113x47x25mm																							
Weight :	±105 g																							
6	Leather strip wrench	Filter removal MASU (Main air supply unit).	<table border="1"> <thead> <tr> <th colspan="2" data-bbox="651 743 954 764">Technica Data Specification</th> </tr> <tr> <th data-bbox="688 772 813 793">Capacity inch</th> <th data-bbox="867 772 1013 793">Strap width inch</th> </tr> </thead> <tbody> <tr> <td data-bbox="727 800 797 821">1/8~2</td> <td data-bbox="922 800 971 821">2-Jan</td> </tr> <tr> <td data-bbox="727 827 797 848">1/8~2</td> <td data-bbox="922 827 971 848">1~1/8</td> </tr> <tr> <td data-bbox="727 854 769 875">1~5</td> <td data-bbox="922 854 971 875">1~3/4</td> </tr> </tbody> </table>	Technica Data Specification		Capacity inch	Strap width inch	1/8~2	2-Jan	1/8~2	1~1/8	1~5	1~3/4											
Technica Data Specification																								
Capacity inch	Strap width inch																							
1/8~2	2-Jan																							
1/8~2	1~1/8																							
1~5	1~3/4																							
7	Test Bars		<p data-bbox="646 1142 932 1163">Test bar 30 mm x 60 mm</p> <p data-bbox="646 1178 932 1199">Test bar 10 mm x 50 mm</p>																					
8	RIC Key	Driver's key	Sample will be provided will be provided to the appointed supplier																					

	Name	Application	Description	Image																										
9	EMU Pannel keys	Multifunctional Twin Square Key for opening and closing of panels	<ul style="list-style-type: none"> Capacity, square: 5 / 6 - 7 / 8 - 9 / 10 - 11 mm Capacity, triangular: 7 - 8 / 9 - 10 / 11 - 12 mm Capacity, two-way key bit: 3-5 mm Capacity, half-moon: 6 mm Step-like square: 6 - 9 mm 																											
10	Rechargeable Headlamp LED (With USB charging cable)	ENG, QA, PM and CM Maintainers	<table border="1"> <thead> <tr> <th>Feature</th> <th>Specification</th> </tr> </thead> <tbody> <tr> <td>Luminance</td> <td>NA</td> </tr> <tr> <td>Torch Type</td> <td>LED</td> </tr> <tr> <td>LED Sources</td> <td>1 PCS</td> </tr> <tr> <td>Life Span</td> <td>NA</td> </tr> <tr> <td>Lens Diameter</td> <td>38 MM</td> </tr> <tr> <td>Settings</td> <td>Zoom</td> </tr> <tr> <td>Battery Life</td> <td>4 Hours</td> </tr> <tr> <td>Charge Time</td> <td>NA</td> </tr> <tr> <td>Voltage</td> <td>3.7 V @ 2 200â€“3 800 M</td> </tr> <tr> <td>Rated Wattage</td> <td>NA</td> </tr> <tr> <td>Rated Current</td> <td>500 MA</td> </tr> <tr> <td>Recharable Battery:</td> <td>Lithium-ion or nickel-metal hydride Battery– 2000mAh (3xAAA Batterie</td> </tr> </tbody> </table>	Feature	Specification	Luminance	NA	Torch Type	LED	LED Sources	1 PCS	Life Span	NA	Lens Diameter	38 MM	Settings	Zoom	Battery Life	4 Hours	Charge Time	NA	Voltage	3.7 V @ 2 200â€“3 800 M	Rated Wattage	NA	Rated Current	500 MA	Recharable Battery:	Lithium-ion or nickel-metal hydride Battery– 2000mAh (3xAAA Batterie	
Feature	Specification																													
Luminance	NA																													
Torch Type	LED																													
LED Sources	1 PCS																													
Life Span	NA																													
Lens Diameter	38 MM																													
Settings	Zoom																													
Battery Life	4 Hours																													
Charge Time	NA																													
Voltage	3.7 V @ 2 200â€“3 800 M																													
Rated Wattage	NA																													
Rated Current	500 MA																													
Recharable Battery:	Lithium-ion or nickel-metal hydride Battery– 2000mAh (3xAAA Batterie																													
11	Rechargeable LED torch (With USB charging cable)	<p>ENG, QA, PM and CM Maintainers</p> <p>Magnesium alloy casing: Hard & Tough, waterproof and corrosion resistant. LED mini semiconductor light-emitting, energy-efficient light source. Extended lifetime. Excellent range up to 800 m. Ideal for emergency use such as SOS signals. CREE super high-power LED lamp chip, DC/DC control technology. Casing fitted with rubber gaskets, waterproof</p>	<table border="1"> <thead> <tr> <th>Feature</th> <th>Specification</th> </tr> </thead> <tbody> <tr> <td>Colour:</td> <td>Black</td> </tr> <tr> <td>Fitting Material:</td> <td>Plastic</td> </tr> <tr> <td>Shade Lens Color:</td> <td>Clear</td> </tr> <tr> <td>Shade Lens Material:</td> <td>Plastic</td> </tr> <tr> <td>Lamp Type:</td> <td>INCL 1 LED INTEGRATED</td> </tr> <tr> <td>IP Rating:</td> <td>20</td> </tr> <tr> <td>Wattage:</td> <td>3w</td> </tr> <tr> <td>Voltage:</td> <td>220 – 240V</td> </tr> <tr> <td>Lumens:</td> <td>130lm</td> </tr> <tr> <td>Recharable Battery:</td> <td>Lithium-ion or nickel-metal hydride Battery– 2000mAh (3xAAA Batteries)</td> </tr> </tbody> </table>	Feature	Specification	Colour:	Black	Fitting Material:	Plastic	Shade Lens Color:	Clear	Shade Lens Material:	Plastic	Lamp Type:	INCL 1 LED INTEGRATED	IP Rating:	20	Wattage:	3w	Voltage:	220 – 240V	Lumens:	130lm	Recharable Battery:	Lithium-ion or nickel-metal hydride Battery– 2000mAh (3xAAA Batteries)					
Feature	Specification																													
Colour:	Black																													
Fitting Material:	Plastic																													
Shade Lens Color:	Clear																													
Shade Lens Material:	Plastic																													
Lamp Type:	INCL 1 LED INTEGRATED																													
IP Rating:	20																													
Wattage:	3w																													
Voltage:	220 – 240V																													
Lumens:	130lm																													
Recharable Battery:	Lithium-ion or nickel-metal hydride Battery– 2000mAh (3xAAA Batteries)																													
12	Leaf chain wear gauge.	The gauge is used to measure the wear rate of a chain	The basic structure is shown on the picture on the right-hand side of the table.																											

	Name	Application	Description	Image
13	Steel Bunded Waste Oil Tank	It is a tank that is specifically used to contain or store used oil after maintenance activities.	<p>Designed for the safe storage of waste oil our Steel Bunded Waste Oil Tanks meet with the Oil Storage Regulations.</p> <ul style="list-style-type: none"> • The tanks must be all steel fabrication with a total bund capacity of 110%. • Bulk storage of waste oil • Ideally suited for the food processing, vehicle servicing and engineering industries. • A safe, strong and secure bunded tank. • Capacities 2000 liters. • It must be vented, weather resistant, double wall tank design and • It must have a drain coupling and debris strainer basket • Or Equivalent 	
14	Engineering EMU download tools	CCTV Footage download	<ul style="list-style-type: none"> • Intel® Core™ Ultra 5 125U (12 cores, up to 4.3 GHz, 15 W) • Windows 11 Pro • Intel® Core™ Ultra 5 125U (12 MB cache, 12 cores, up to 4.30 GHz, 15W), Intel Integrated Graphics • 8GB: 1 X 8 GB, DDR5, 5600, Non-ECC, SoDIMM • 256 GB, M.2 2230, PCIe NVMe, SSD 	

Name	Application	Description	Image
<p>15</p> <p>Intercar walkway bridge</p>			 <ul style="list-style-type: none"> ➤ Alluminum frame with fibreglass grating ➤ Top part to be cotted with anti-slip rubber material ➤ Bottom part for maximum grip, it must have a rubber material for it not to slip.
<p>16</p> <p>Inclinometer ERTMS</p>		<ul style="list-style-type: none"> • Max. error 1' + 1 digit at 15" / 1.5' + 1 digit at 30" / 2' + 1 digit at 45" • Resolution: 0.02mm/m • Power supply: 1 AA 1.5V battery • Operating time 130 hours • Anodised aluminium case 100x30xH75mm • Weight: 485g • Operating temperature 0 + 40°C • 4 Magnetic sides • Or Equivalent 	

END OF DOCUMENT