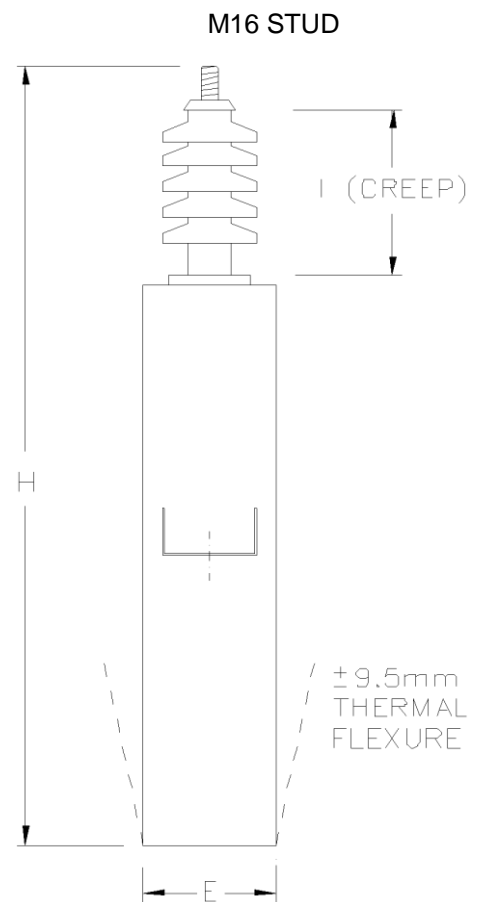
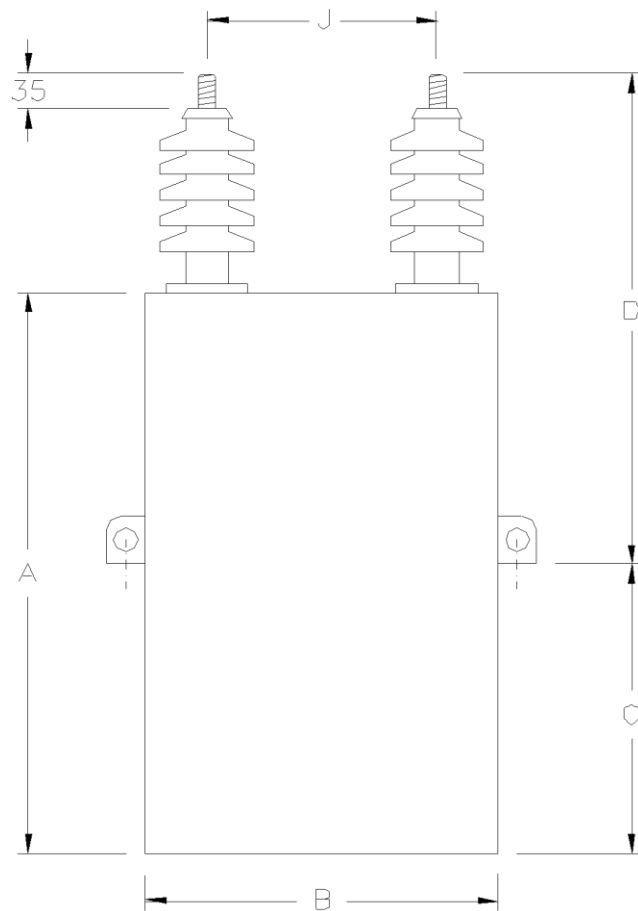
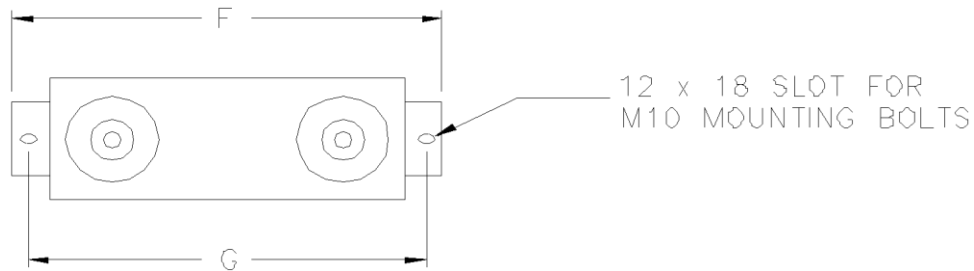


WORKS ORDER	03ZF	CAPACITANCE	19.7 μ F	TEMP CAT	-25/+50
CUSTOMER	ESKOM-TR	RATED VOLTAGE	6351 V	A =	580
ORDER NUMBER	MERAPI SUBSTATION	RATED OUTPUT	250 kVAr	B =	343
ORDER DATE	24-Jul-89	UNIT WEIGHT	54 kG	C =	245
DELIVERY DATE	31-May-91	INSULATION	22 / 125 kV	D =	556
QUANTITY	144	PHASES	1	E =	181
SPARES	5	BUSHINGS	2	F =	433
STYLE NUMBER	UMA582S	INTERNAL CONN.	1 (1 PHASE)	G =	397
TOLERANCE	-3.0/+5.0 %	DISCHARGE RES.	2.5 MOHM	H =	801
IMPREGNANT	NON PCB	SERIES GROUPS	4	I =	457
DIELECTRIC	ALL FILM	PARALLEL GROUPS	4	J =	220
FUSES	NONE	SPECIFICATION	IEC 871-1	K =	- / -



CAPACITOR DATA SHEET AND OUTLINE DRAWING No: 03ZF