

1

2

3

4

A

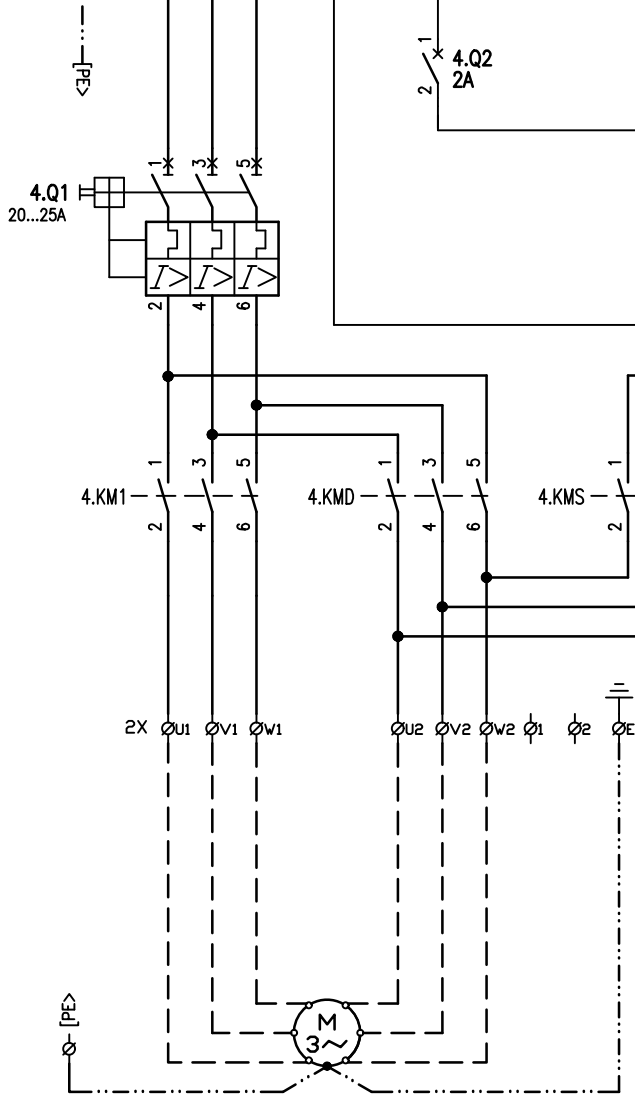
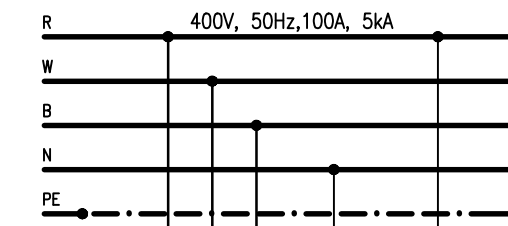
A

B

B

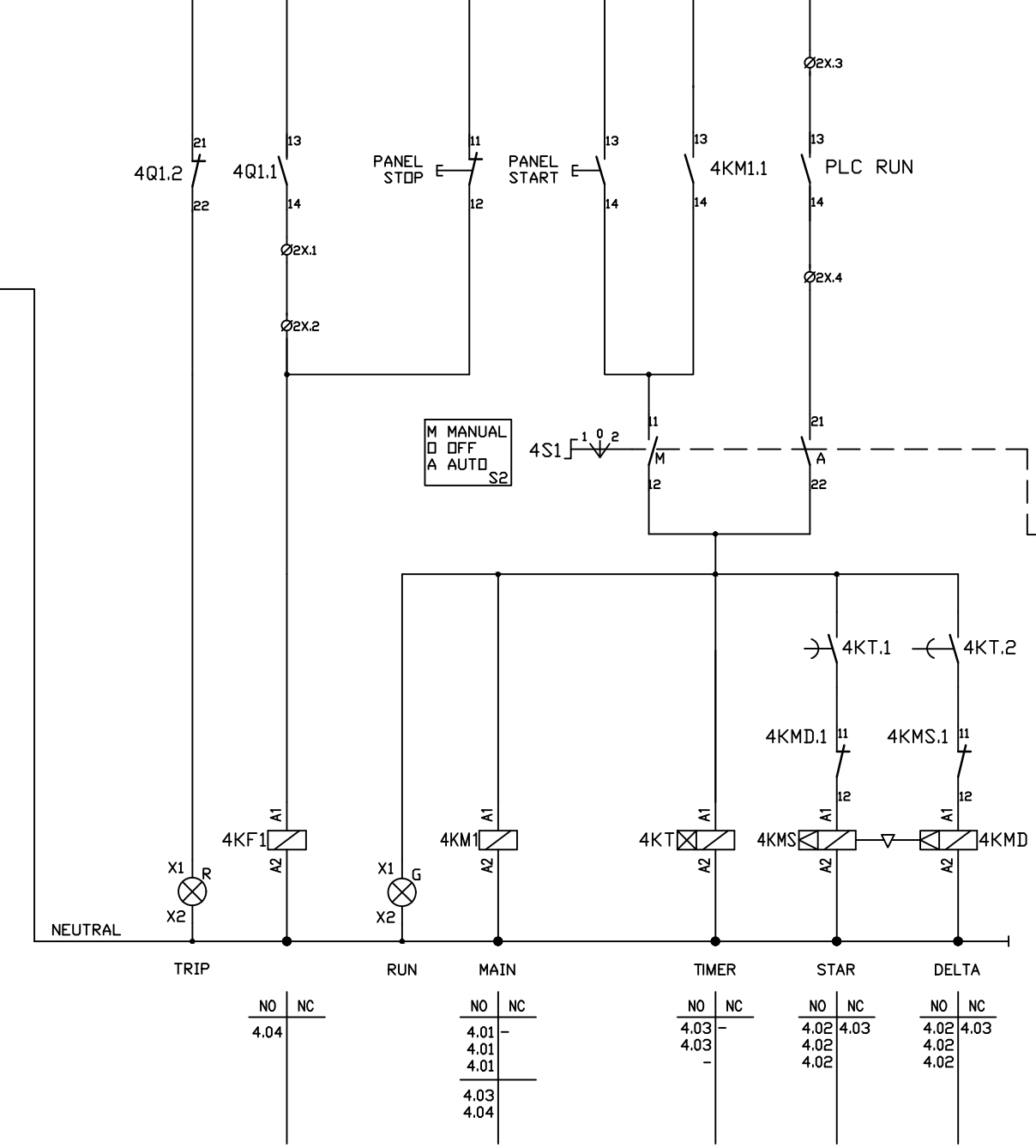
C

C



JOCKEY PUMP 2 (STANDBY)
11kW
20A

230Vac (L)



NO	NC
4.04	
4.01	
4.01	
4.01	
4.03	
4.04	
4.03	
4.03	
4.02	4.03
4.02	4.03
4.02	4.02
4.02	4.02

4X.	
U1	MAIN POWER SUPPLY TO MOTOR
V1	
W1	
U2	PLC RUN I/P
V2	
W2	
E1	+24VDC HEALTHY I/P
1	
2	
3	RUNNING I/P
4	
5	
6	AUTO I/P
7	
8	



NOTES
1. DO NOT SCALE DRAWING - ONLY DIMENSIONS SHOWN TO BE USED.
2. THE CONTRACTOR SHALL VERIFY ALL CONDITIONS, DIMENSIONS AND LEVELS ON THE SITE AND NOTIFY THE NEC SUPERVISOR OF ANY VARIATIONS BEFORE CONSTRUCTION.

DRAWING NO.	REFERENCE
2123421-1-000-E-CS-0003-01	CABLE SCHEDULE
2123421-1-000-E-SL-0004-01	JOCKEY MCC SINGLE LINE DIAGRAM
2123421-1-000-E-SD-0004-02	JOCKEY PUMP 1 STARTER SCHEMATIC
2123421-1-000-E-SK-0003-01	JOCKEY & BOOSTER ROOM ELECTRICAL LAYOUT
2123421-1-000-E-GA-0005-01	JOCKEY PUMP MCC GENERAL ARRANGEMENT

REVISIONS					
NO.	DESCRIPTION	BY	CHKD	APPD	DATE
00	ISSUED FOR TENDER	TMD	KD	GT	17/01/2020

CONTRACTOR / CONSULTANT				TRANSNET CAPITAL PROJECTS			
TITLE	NAME	SIGN	DATE	TITLE	NAME	SIGN	DATE
				DRAWN			
				CHECKED			
				DESIGNED			
				CHECKED			

OPERATING DIVISIONS			
TITLE	NAME	SIGN	DATE

PR.ENG. / PR.TECH./PR. ARCH	
NAME	DATE
TIM DUNNELL	17 01 20

Transnet Capital Projects
TRANSNET LTD (TRADING AS TRANSNET CAPITAL PROJECTS) : REG. NO. 1990/000900/30
237 MAHATMA GANDHI ROAD
DURBAN
P.O. BOX 31683, DURBAN
TEL: 031 361 1696
FAX: 0866 770815

PORT OF DURBAN
CFI ISLAND VIEW UPGRADE
JOCKEY AND BOOSTER PUMP STATION -
JOCKEY PUMP 2 SCHEMATIC DIAGRAM

PROJECT NUMBER	OD	FBS	DIS	TYPE	DRAWING NO.	SHEET	REV	ID
2	1	2	3	4	2	1	1	0 0 0
				E	S	D	0	0 0 4
								0 4
								0 0

1

2

3

4

This Document including all design and information therein is Confidential Intellectual Property of Transnet. Copyright and all other rights are reserved by Transnet. This Document may only be used for its intended purpose.