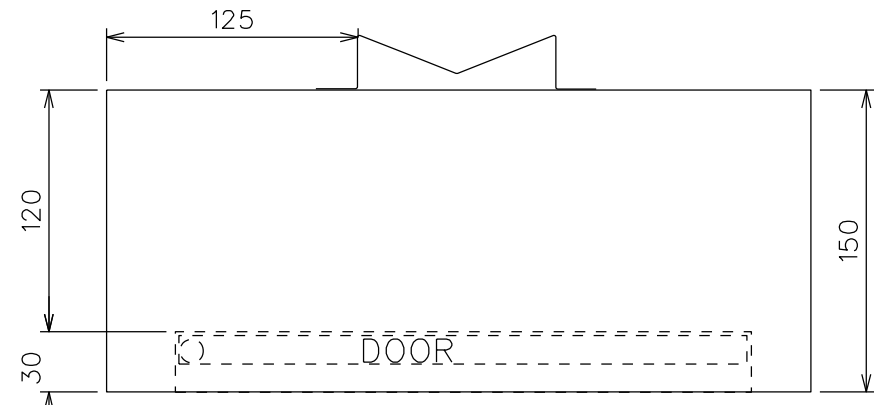


1 2 3 4 5 6 7 8

A

A

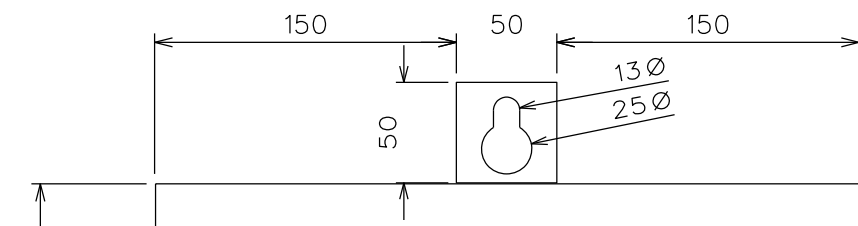


TOP VIEW

- NOTES:
1. THE ENTIRE KIOSK SHALL BE MANUFACTURED FROM 2mm 3CR12.
 2. THE DOOR SURROUNDS SHALL INCORPORATE A SPLASH PROOF 15mm LIP AROUND THE ENTIRE PERIMETER.
 3. THE DOORS SHALL BE MOUNTED FLUSH TO THE SPLASH-PROOF LIP.
 4. THE HINGES OF THE DOOR SHALL BE AT LEAST 12mm IN DIAMETER. THE TOP HINGE SHALL CONSIST OF AN 12mm STAINLESS STEEL NUT OR THREADED SLEEVE WELDED INTO THE TOP OF THE DOOR AND A 20mm M12 SET SCREW WHICH SHALL BE SCREWED THROUGH THE HINGE HOLE IN THE FRAME INTO THE NUT OR SLEEVE IN THE DOOR.
 5. THE EARTH STUD SHALL BE A M8 35mm STAINLESS STEEL SET SCREW, NUT AND SPRINGWASHER. THE SET SCREW SHALL BE WELDED ONTO THE BOTTOM OF THE KIOSK
 6. A 22mm DIAMETER HOLE SHALL BE FITTED TO THE LEFT SIDE OF THE KIOSK TO ALLOW FOR THE INSTALLATION OF EXTERNAL ANTENNAS WHEN REQUIRED. A BOXED COVER WITH 20mm OPENINGS ON THE SIDES SHALL BE WELDED ON THE INSIDE OVER THE HOLE TO PROTECT ENTRY TO THE KIOSK. A PLASTIC / RUBBER COVER SHALL ALSO BE INSTALLED TO THE HOLE.
 7. THREE MOUNTING BRACKETS FOR STAINLESS STEEL STRAPPING SHALL BE WELDED TO THE BACK OF THE KIOSK. THE EDGES OF THE SLOTTED HOLES SHALL BE ROUNDED OFF TO PREVENT DAMAGE TO THE STAINLESS STEEL STRAPPING.
 8. THE KIOSK SHALL BE POWDER COATED WITH LIGHT NAVY GREY POLYESTER POWDER (SANS COLOUR CODE G35).

B

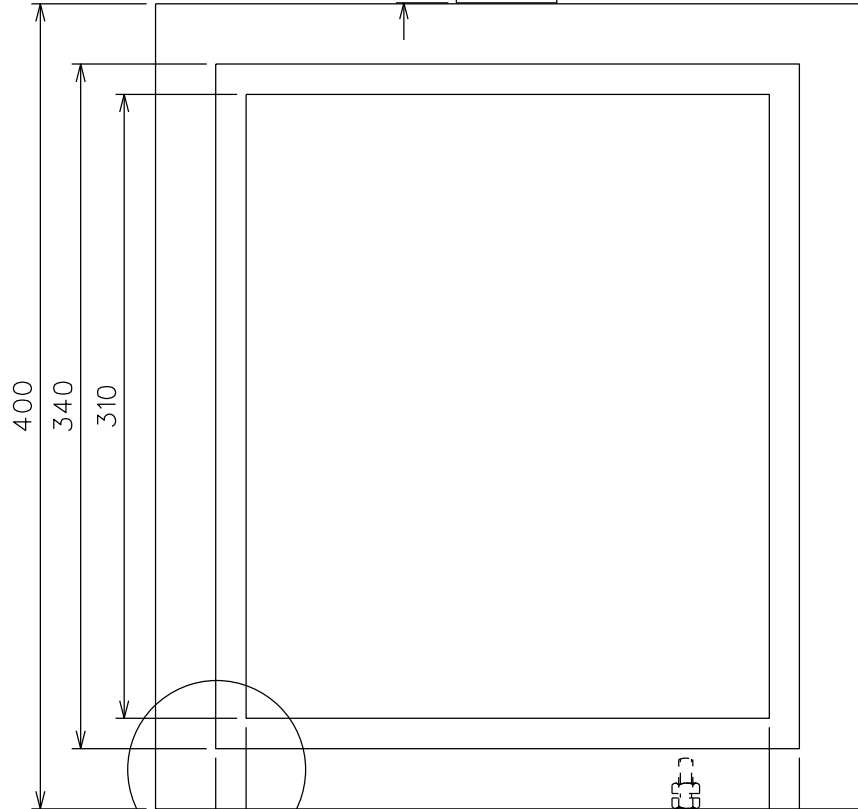
B



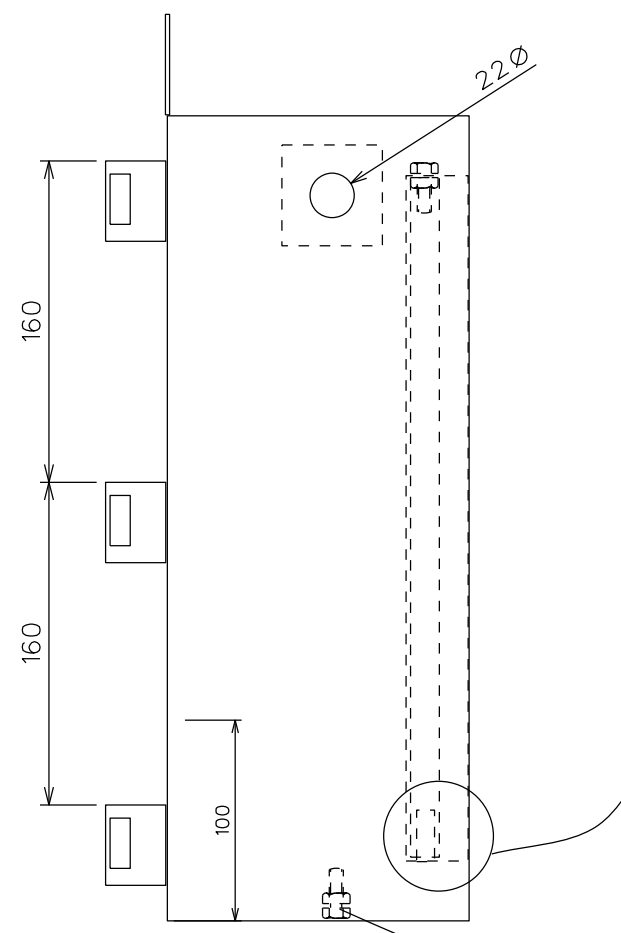
DETAILS OF FIXING BRACKET

C

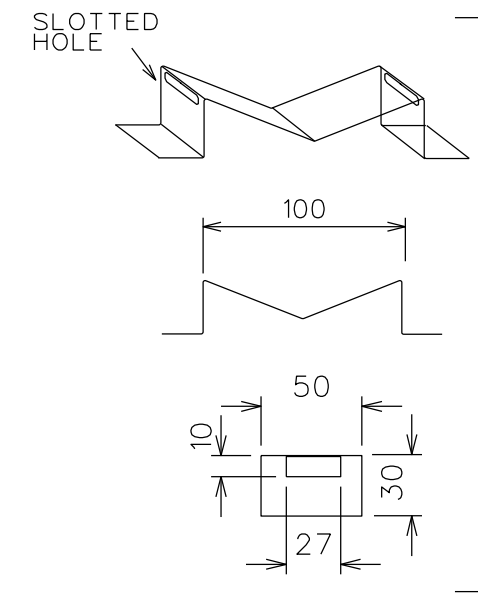
C



FRONT VIEW



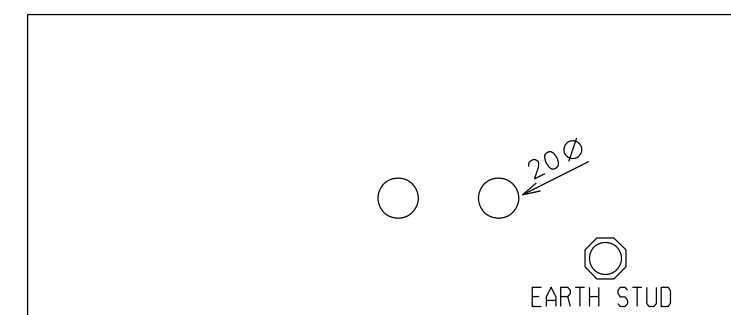
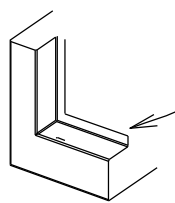
LEFT SIDE VIEW



HINGE: 20mm LONG x 12mm DIAMETER STUD & WASHER WELDED ONTO FRAME FOR THE FITMENT OF THE DOOR

E

E



BOTTOM VIEW

- NOTES:
1. THE HOLES SHALL BE SUITABLE FOR THE FITMENT OF NO 1 COMPRESSION GLANDS
 2. ONE HOLE SHALL BE COVERED BY A SQUARE KNOCK-OUT WELDED ON ONE CORNER

F

F

3	CHANGED MCB'S, CABLE, CABLE GLAND, BOX OVER ANTENNA HOLE	HPD G	HPD GROENEWALD	01/10/2023	<i>Ally</i>
2	CHANGED TO DATA CONCENTRATOR, REMOVED DOOR LIMIT SWITCH CIRCUIT	HPD G	HPD GROENEWALD	01/03/2023	
1	ADDED DETAILS FOR SECURING HOOK, BOTTOM, GLANDS	HPD G	HPD GROENEWALD	01/04/2015	
0	ORIGINAL	HPD G	HPD G, M. OMAR	24/06/2013	
REV	REVISION DESCRIPTION	BY	CHKD	AUTH	DATE
					PROJECT NO.

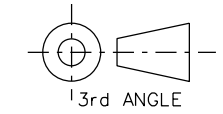


DATA CONCENTRATOR KIOSK
SECURE POLE TOP
MANUFACTURING DETAIL:
BOX

AUTH: M. OMAR
DATE: 24/06/2013
CHKD: HPD GROENEWALD
DATE: 24/06/2013
DRAWN: HPD GROENEWALD
P. VERMAAK
DATE: 24/06/2013

D-DT-1034

SET	SHEET	REVISION
3	1	3



1 2 3 4 5 6 7 8

SIZE GROOTTE A3L

1

2

3

4

5

6

7

8

A

B

C

D

E

F

A

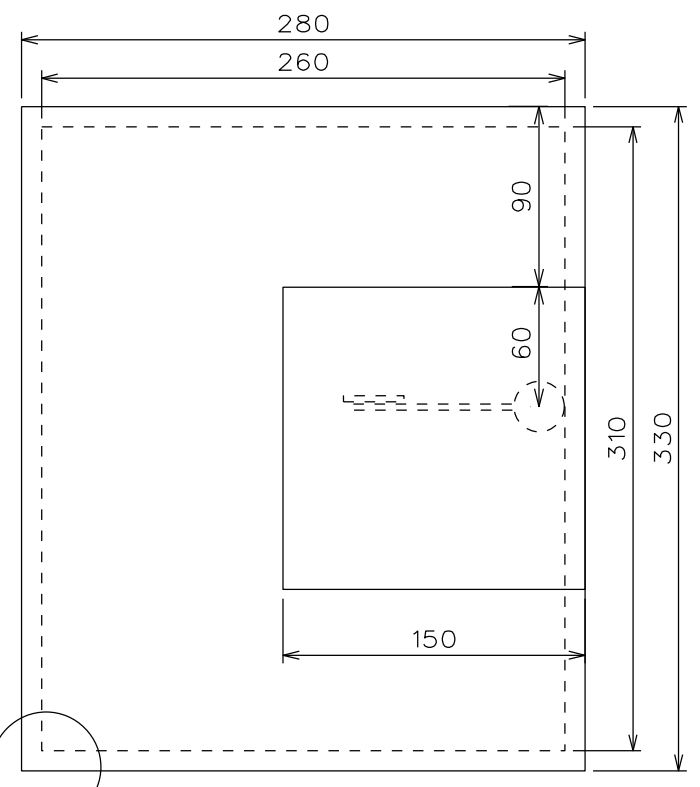
B

C

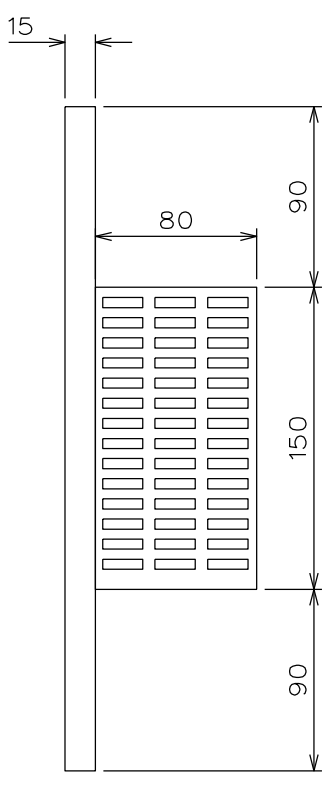
D

E

F



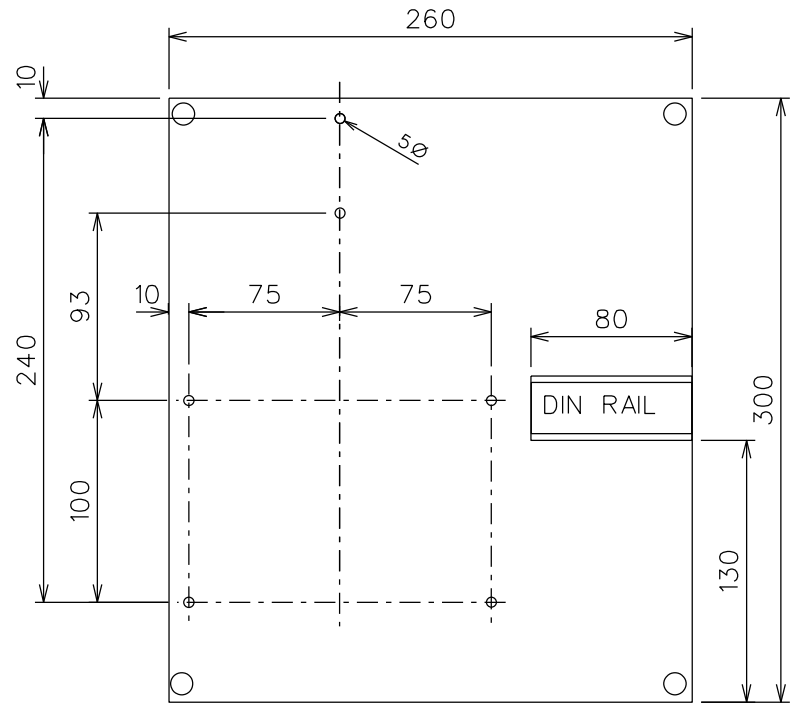
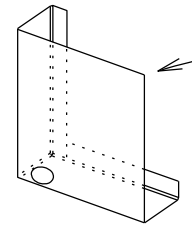
FRONT VIEW



LEFT SIDE VIEW

NOTES:

- 1. THE DOOR SHALL BE MANUFACTURED FROM 2mm 3CR12.
- 2. A 3-WAY STAINLESS STEEL LEVER LOCK SHALL BE FITTED HORIZONTALLY TO THE DOOR.
- 3. A BOX SHALL BE FITTED ONTO THE DOOR TO CLOSE-OFF THE LEVER LOCK AND LOCK. THE BOX SHALL BE OPEN ONLY ON THE BOTTOM. THE BOX SHALL HAVE 5 x 20mm SLOTTED HOLES OVER THE ENTIRE SURFACE AREA (TOP AND SIDES) SPACED NOT MORE THAN 10mm APART. THE BOX SHALL BE MANUFACTURED FROM 2mm 3CR12
- 4. DRAIN HOLES OF 5mm DIAMETER SHALL BE PROVIDED ON THE BOTTOM SILL OF THE DOOR.
- 5. THE KIOSK SHALL BE POWDER COATED WITH LIGHT NAVY GREY POLYESTER POWDER (SANS COLOUR CODE G35).
- 6. A STANDARD DANGER SIGN SHALL BE FITTED ON THE DOOR'S LOCK BOX.



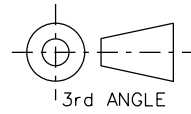
INNER PLATE

NOTES:

- 1. THE INNER PLATE SHALL BE USED FOR THE FITMENT OF THE EQUIPMENT AND SHALL BE MANUFACTURED FROM 1.5mm 3CR12. THERE SHALL BE 90 DEGREE 10mm BENDS ON ALL SIDES.
- 2. THE INNER PLATE SHALL BE FITTED BY 4 STAINLESS STEEL SET SCREWS OR STUDS AND NUTS ONTO THE BACK OF THE KIOSK 50mm FROM THE TOP OF THE KIOSK. THE SET SCREWS OR STUDS SHALL BE WELDED ONTO THE BACK OF THE KIOSK.
- 3. THE DIN-RAIL SHALL BE FITTED BY STAINLESS STEEL BOLTS, NUTS AND SPRING WASHERS, SCREWS AND SPRING WASHERS, RIVETS OR SPOT WELDED.
- 4. STAINLESS STEEL OR BRASS SELF CLINCHING NUTS OR RIVET NUTS WITH A M5 THREAD SIZE SHALL BE INSTALLED ON ALL THE HOLES USED FOR THE FITMENT OF THE DATA CONCENTRATOR.
- 5. THREE 20mm M5 BRASS SET SCREWS SHALL BE INSTALLED INTO THREE OF THE SELF CLINCHING NUTS OR RIVET NUTS.
- 6. THE INNER PLATE SHALL BE POWDER COATED WITH WHITE EPOXY POLYESTER POWDER (SABS COLOUR CODE 69-0135).

3	CHANGED MCB'S, CABLE, CABLE GLAND, BOX OVER ANTENNA HOLE	HPD G	HPD GROENEWALD	01/10/2023	
2	CHANGED TO DATA CONCENTRATOR, REMOVED DOOR LIMIT SWITCH CIRCUIT	HPD G	HPD GROENEWALD	01/03/2023	
1	ADDED DETAILS FOR SECURING HOOK, BOTTOM, GLANDS	HPD G	HPD GROENEWALD	01/04/2015	
0	ORIGINAL	HPD G	HPD G, M. OMAR	24/06/2013	
REV	REVISION DESCRIPTION	BY	CHKD	AUTH	DATE
					PROJECT NO.

	DATA CONCENTRATOR KIOSK SECURE POLE TOP MANUFACTURING DETAIL: DOOR AND INNER PLATE			
	AUTH: M. OMAR			
	DATE: 24/06/2013			
	CHKD: HPD GROENEWALD			
DATE: 24/06/2013	D-DT-1034	SET	SHEET	REVISION
DRAWN: HPD GROENEWALD P. VERMAAK		3	2	3
DATE: 24/06/2013				



3rd ANGLE

1

2

3

4

5

6

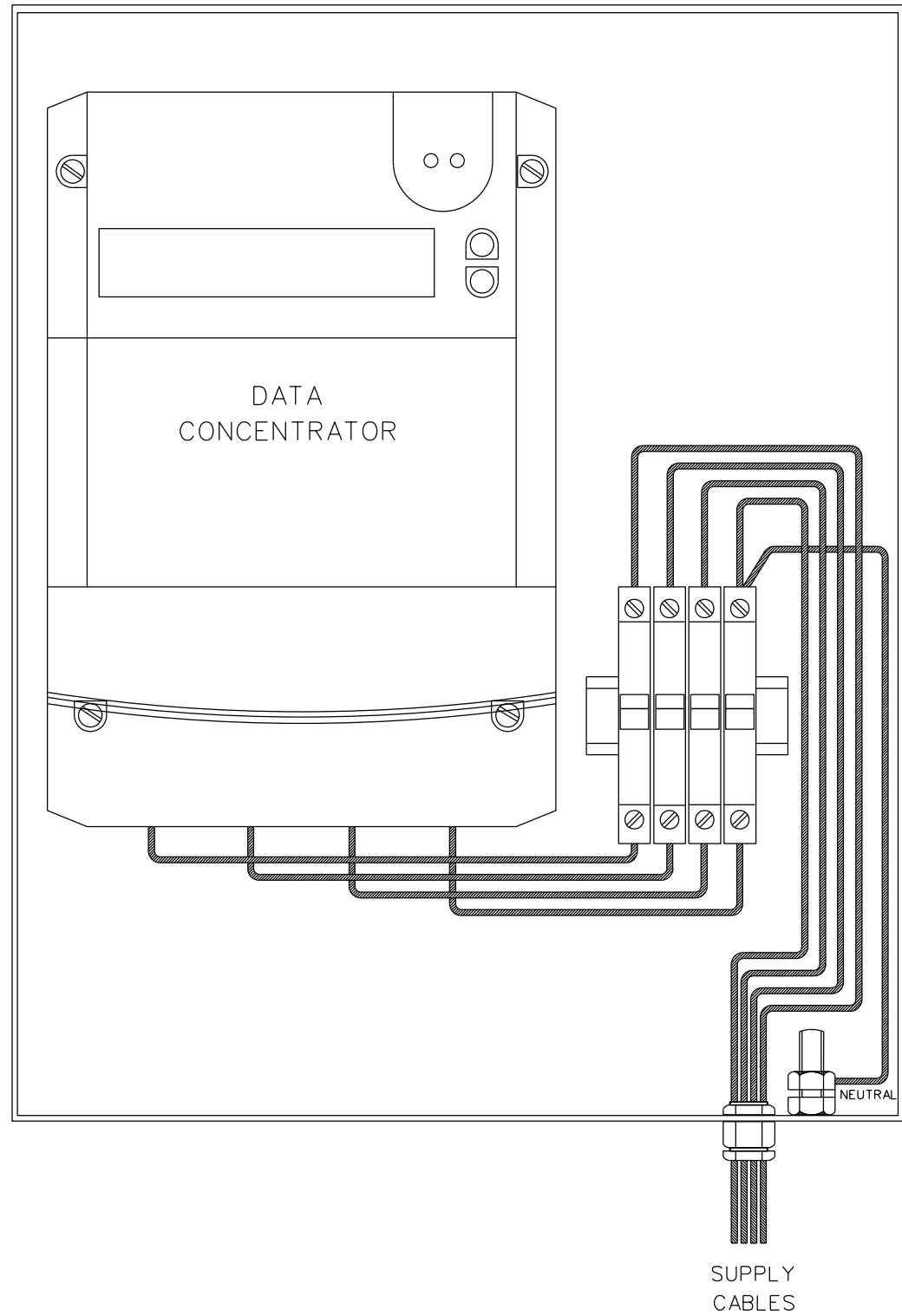
7





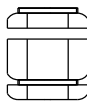
8

1 2 3 4 5 6 7 8

A
B
C
D
E
F

A
B
C
D
E
F




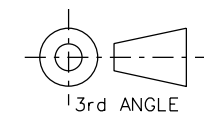
LEGEND	DESCRIPTION	EQUIPMENT
	DATA CONCENTRATOR	ESKOM APPROVED DC
	CIRCUIT BREAKER 230V, 10A, 5kA SINGLE PHASE NRCS APPROVED	CBI: HY-MAG 10A TYPE QF1-13D, QF1-18D or SIMILAR, DIN RAIL MOUNTED
	WIRING (MCB'S TO DC)	2.5mm SQUARE COLOUR CODED UV STABILISED PVC INSULATED WIRE, RATED VOLTAGE 600/1000V, SABS 1507, 250mm LONG
	SUPPLY CABLE	4mm SQUARE 4 CORE ARMoured CABLE, 2 METERS LONG
	CABLE GLAND ADJUSTABLE NO 1	SAP 0168367, D-DT-3070

NOTES:

1. THE SUPPLY CABLE SHALL BE A 4mm SQUARE 4 CORE ARMoured COPPER CABLE AND 2m LONG.
2. AN ADJUSTABLE CABLE GLAND SHALL BE PROVIDED.
3. THE MCB'S SHALL BE FITTED ONTO A DIN-RAIL.
4. THE NEUTRAL SHALL BE EARTHED TO THE EARTH STUD VIA A GREEN/YELLOW EARTH WIRE

REV	REVISION DESCRIPTION	BY	CHKD	AUTH	DATE	PROJECT NO.
3	CHANGED MCB'S, CABLE, CABLE GLAND, BOX OVER ANTENNA HOLE	HPD G	HPD GROENEWALD		01/10/2023	
2	CHANGED TO DATA CONCENTRATOR, REMOVED DOOR LIMIT SWITCH CIRCUIT	HPD G	HPD GROENEWALD		01/03/2023	
1	ADDED DETAILS FOR SECURING HOOK, BOTTOM, GLANDS	HPD G	HPD GROENEWALD		01/04/2015	
0	ORIGINAL	HPD G	HPD G, M. OMAR		24/06/2013	

		DATA CONCENTRATOR KIOSK SECURE POLE TOP MANUFACTURING DETAIL: EQUIPMENT LAYOUT				
AUTH: M. OMAR						
DATE: 24/06/2013						
CHKD: HPD GROENEWALD						
DATE: 24/06/2013		D-DT-1034	SET	SHEET	REVISION	
DRAWN: HPD GROENEWALD P. VERMARK			3	3	3	
DATE: 24/06/2013						



1 2 3 4 5 6 7 8 SIZE GROOTTE A3L