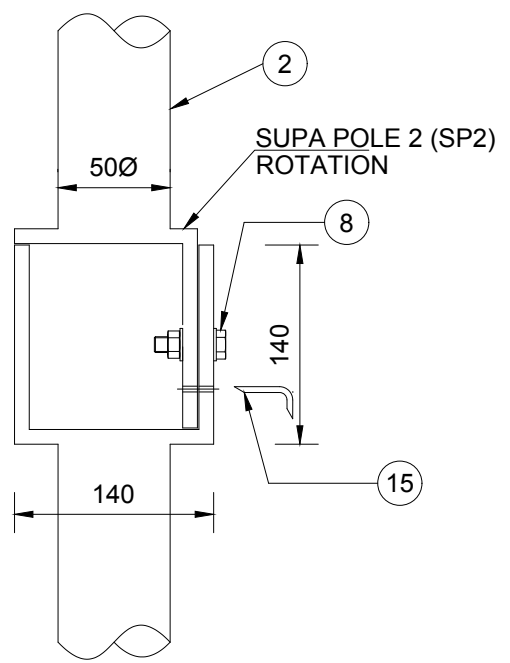


DETAIL B
SCALE 1:5



DETAIL A
SCALE 1:5

ITEM #	QTY	MATERIAL SUPPLIED	SIZE	DESCRIPTION
1	1	PURCHASE		SUITABLE POLE MOUNTED LUMINAIRE
2	1	FREE ISSUE	2400mm	GALVANISED SUPA POLE - SP2 ROTATION 50mm OD
3	1	PURCHASE		SUITABLE POLE MOUNTING BRACKET
4	1	FREE ISSUE		JUNCTION BOX MOUNTING PLATE
5	1	FREE ISSUE		JUNCTION BOX, 3-WAY, CCG EX
6	6	FREE ISSUE	M16 x 30	GALVANISED STEEL NUT, BOLT, SPRING WASHER & FLAT WASHER
7	12	FREE ISSUE	M12	GALVANISED STEEL U BOLTS - SUPPLIED WITH ITEMS 4 & 6
8	1	FREE ISSUE		GALVANISED STEEL NUT, BOLT, SPRING WASHER & FLAT WASHER
9	2	FREE ISSUE		GROMMET
10	2	FREE ISSUE	M5 x 30	GALVANISED STEEL HEX HEAD BOLT
11	2	FREE ISSUE	M5	GALVANISED STEEL LOCK WASHER
12	2	FREE ISSUE	M5	GALVANISED STEEL HEX HEAD NUTS
13	2	FREE ISSUE	M5	GALVANISED STEEL FLAT WASHER
14	3	FREE ISSUE	250x100x10	GALVANISED FLAT STEEL PLATE
15	1	FREE ISSUE		GALVANISED STEEL SAFETY PIN - SUPPLIED WITH ITEM 2

GENERAL NOTES

1. ALL DIMENSIONS ARE IN MILLIMETERS.
2. ALL WELDS TO BE CLEANED AND APPROVED PRIMER APPLIED THEN PAINTED TO FULL OUTDOOR SPECIFICATION.
3. ALL UNUSED CABLE ENTRIES TO BE PLUGGED.
4. LIGHTING POLE AND ACCESSORIES TO BE HOT DIP GALVANISED TO SANS 121
5. LUMINAIRE IS A STANDARD FITTING IN HAZARDOUS AREA USE FLAME PROOF JUNCTION BOX, SUITABLE FOR ZONE 1 AND ZONE II.
6. LUMINAIRE TO BE SUITABLY INSULATED FROM LIGHT POLE.

-01/ CHANGED THE MOUNTING BRACKET
T.N 2022/07/28

REVISIONS			
PROJECT NAME			
DRAWN	W.D	REF.	
TRACED	CAD	DATE	25/05/2021
CHECKED	K.N	APPROVED	Z.M
SCALE	N.T.S		
DRAWING No.	PL -121590		
REV	01		

PROPOSAL

TYPICAL RAIL MOUNT LIGHT POLE
(MANIFOLD & TANK LIGHT POLE)