

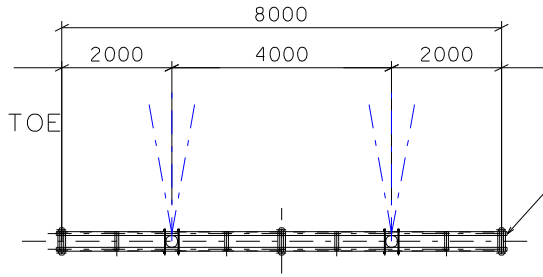
1

2

3

4

200 x 75 PFC CHANNELS TOE TO TOE FOR DETAILS SEE SHEET 2

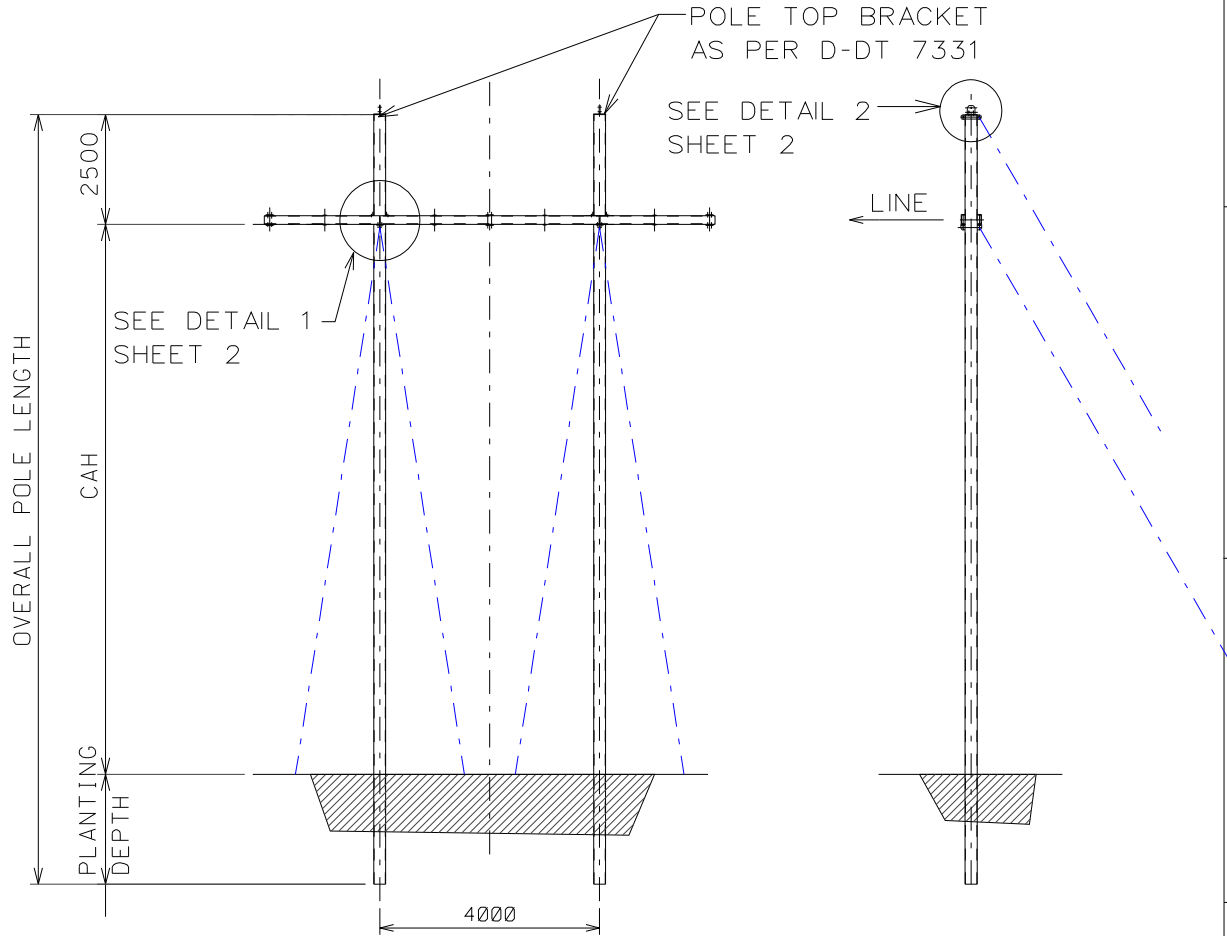


120 kN CROSS ARM CAPACITY

SEE DETAIL 3 SHEET 2

2 SHIELD WIRE STAYS
4 CROSS ARM STAYS SPLAYED

PLAN ON CROSS ARM



DETAILS OF TERMINAL STRUCTURE

1	RETICULATION REMOVED FROM TITLE BLOCK	N.M.	P.A.T.	P.A.T.	31.01.2010	
0	ISSUED FOR PUBLICATION	SLR	RAB	AB	FEB 2005	
REV	REVISION DESCRIPTION	BY	CHKD	AUTH	DATE	PROJECT NO.



DISTRIBUTION TECHNOLOGY
SUB-TRANSMISSION LINES

AUTH:	A BEKKER
DATE:	SEPT 2004
CHKD:	RAB
DATE:	SEPT 2004
DRAWN:	SLR
DATE:	SEPT 2004

132kV H-POLE STRUCTURES - 8m XARM
TERMINAL STRUCTURE 70-120kN RANGE

D-DT 7808

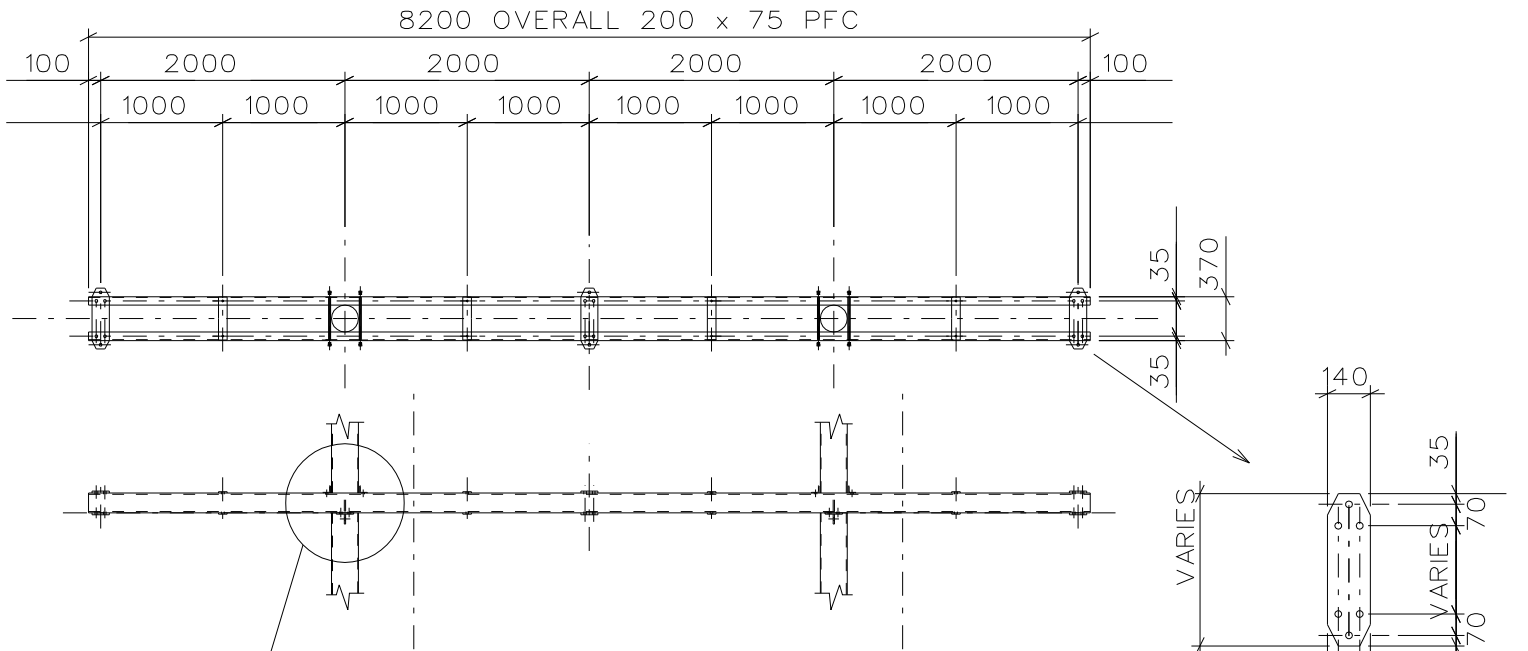
SET	SHEET	REVISION
3	1	1

1

2

3

4 A4L

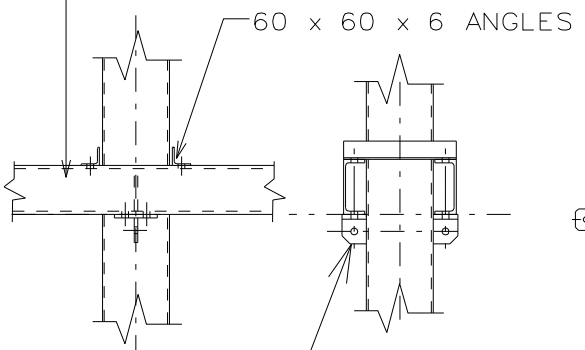


DETAILS OF CROSS ARM

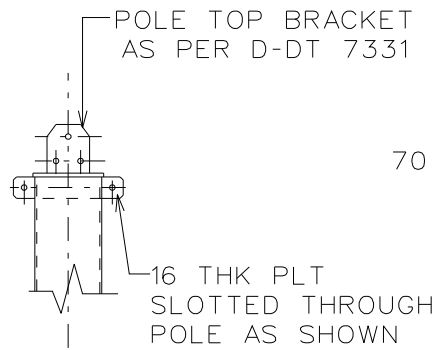
200 x 75 PFC WITH 8THK STIFFS

16 THK PLT 4@35

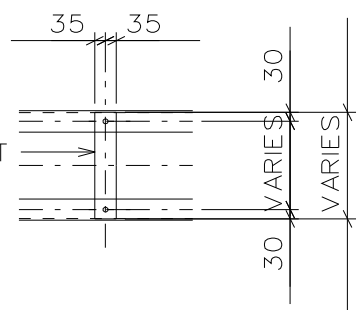
DETAIL 3



DETAIL 1



DETAIL 2



DETAIL OF TIE PLATES

1	RETICULATION REMOVED FROM TITLE BLOCK	N.M.	P.A.T.	P.A.T.	31.01.2010	
0	ISSUED FOR PUBLICATION	SLR	RAB	AB	FEB 2005	
REV	REVISION DESCRIPTION	BY	CHKD	AUTH	DATE	PROJECT NO.



DISTRIBUTION TECHNOLOGY
SUB-TRANSMISSION LINES

AUTH: A BEKKER
DATE: SEPT 2004

CHKD: RAB

DATE: SEPT 2004

DRAWN: SLR

DATE: SEPT 2004

132KV H-POLE STRUCTURES - 8m XARM

TERMINAL STRUCTURE 70-120KN RANGE

D-DT 7808

SET	SHEET	REVISION
3	2	1

1 2 3 4 A4L

DESIGN CRITERIA:

ALL STEEL GRADE 300W
 ALL BOLTS GRADE 8.8 BOLTS
 POLES AND CROSS ARMS TO BE SUPPLIED WITH FIXING BOLTS

POLES USED FOR H-POLE	OVERALL HEIGHT	PLANTING DEPTH	CROSS ARM ATT HEIGHT AGL	SHIELD WIRE ATT HEIGHT AGL	CONDUCTOR ATT HEIGHT AGL
219 x 4,5 THK CHS	15.1	2.0	10.6	13.1	10.6
219 x 4,5 THK CHS	16.1	2.0	11.6	14.1	11.6
219 x 4,5 THK CHS	17.1	2.0	12.6	15.1	12.6
219 x 6,0 THK CHS	18.2	2.0	13.7	16.2	13.7
219 x 6,0 THK CHS	19.2	2.0	14.7	17.2	14.7
324 x 4,5 THK CHS	20.1	2.0	15.6	18.1	15.6

70 TO 120kN UTS CONDUCTORS

POLES USED FOR H-POLE	WIND SPAN	WEIGHT SPAN	ELECTRICAL SPAN
15.1	350	455	460
16.1	350	455	460
17.1	350	455	460
18.2	350	455	460
19.2	350	455	460
20.1	350	455	460

1	RETICULATION REMOVED FROM TITLE BLOCK	N.M.	P.A.T.	P.A.T.	31.01.2010	
0	ISSUED FOR PUBLICATION	SLR	RAB	AB	FEB 2005	
REV	REVISION DESCRIPTION	BY	CHKD	AUTH	DATE	PROJECT NO.



DISTRIBUTION TECHNOLOGY
 SUB-TRANSMISSION LINES

132kV H-POLE STRUCTURES - 8m XARM

TERMINAL STRUCTURE 70-120kN RANGE

AUTH:	A BEKKER
DATE:	SEPT 2004
CHKD:	RAB
DATE:	SEPT 2004
DRAWN:	SLR
DATE:	SEPT 2004

D-OT 7808	SET	SHEET	REVISION
	3	3	1

1

2

3

4 A4L