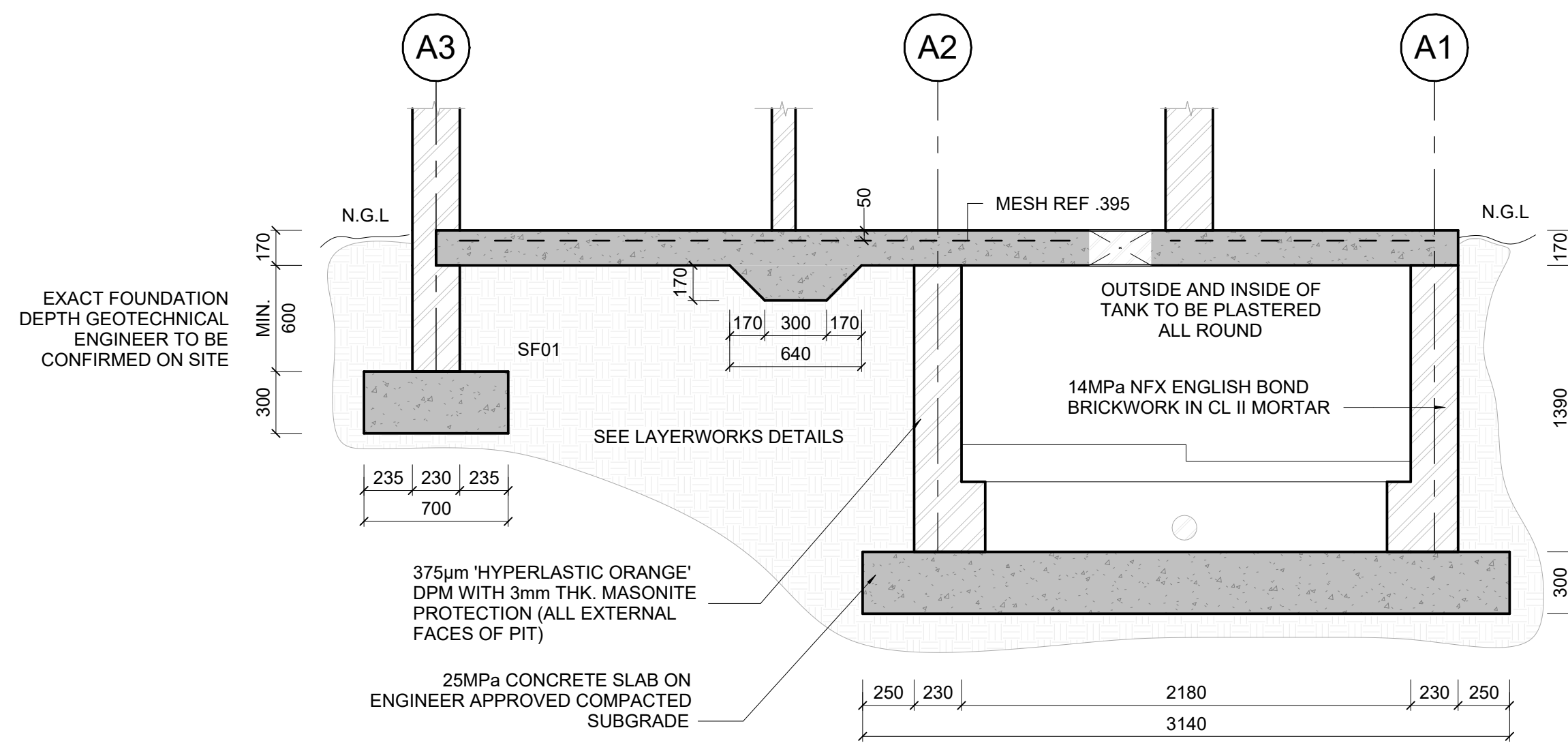
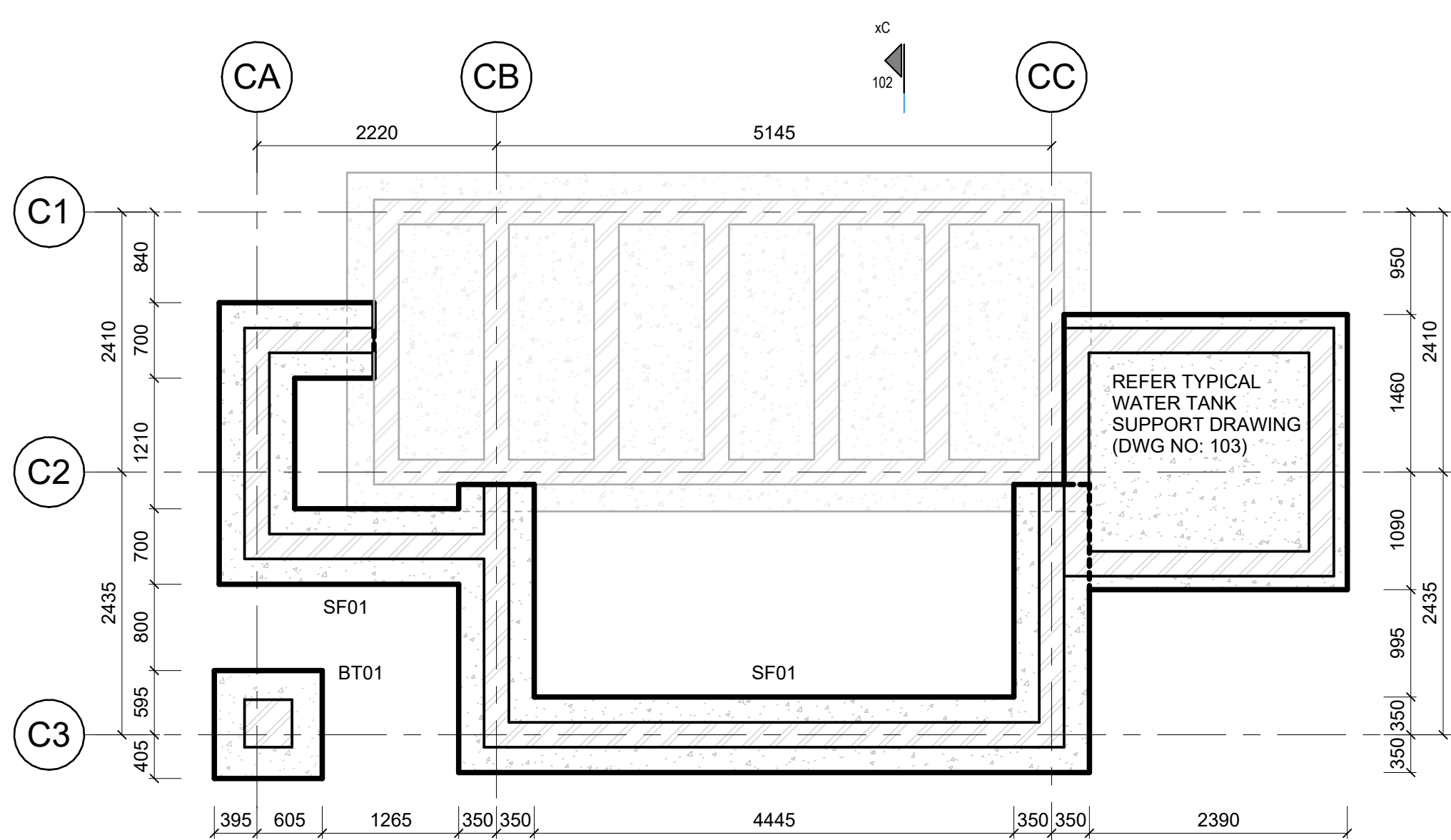


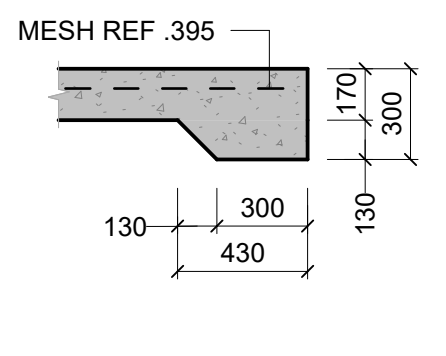
BLOCK B PIT FOUNDATION LAYOUT
Scale 1:50



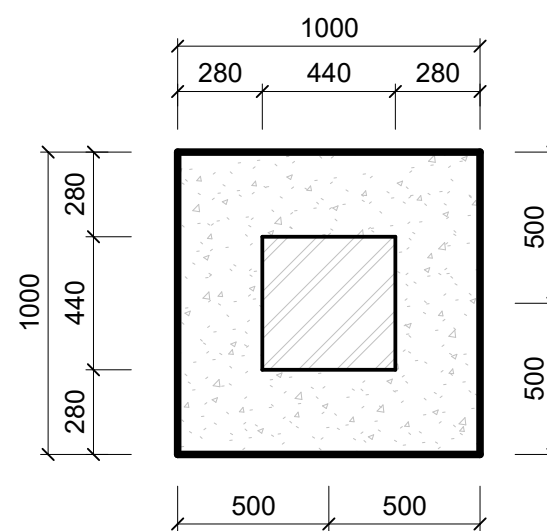
SECTION xC-xC
Scale 1:25



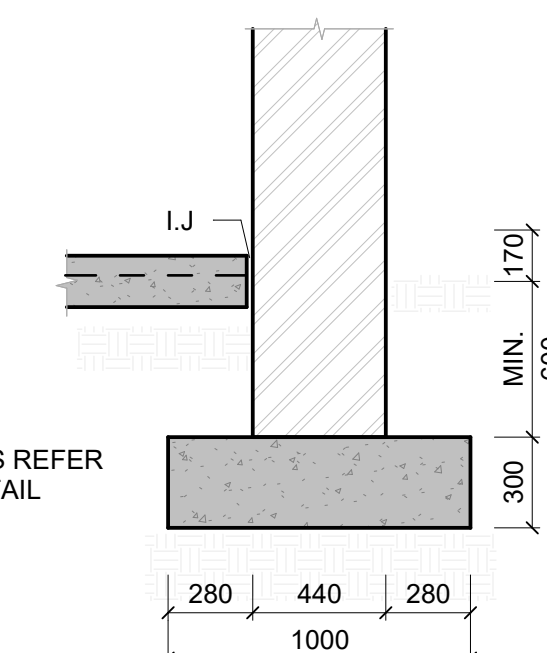
BLOCK B FOUNDATION LAYOUT
Scale 1:50



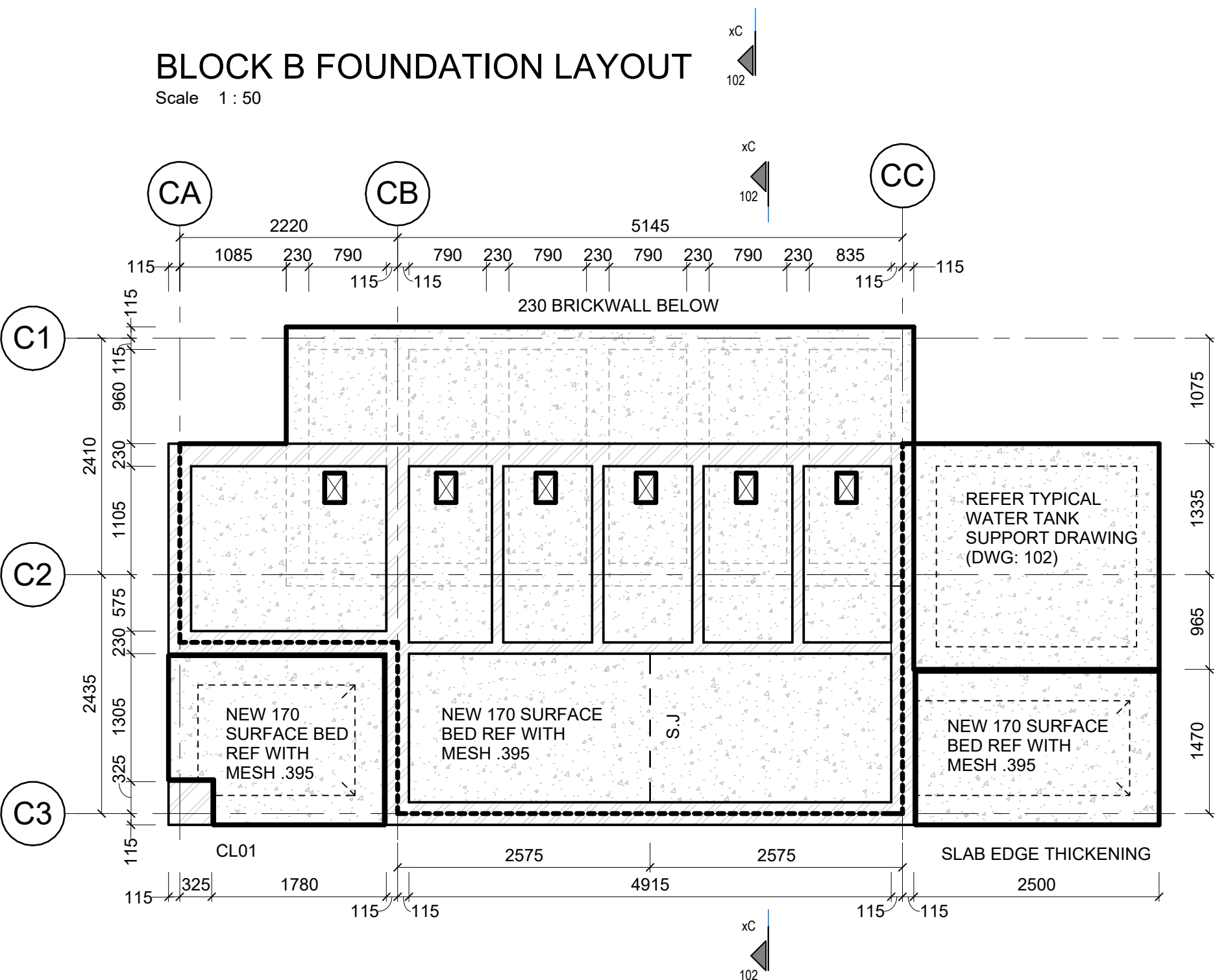
SLAB EDGE THICKENING DETAIL
Scale 1:25



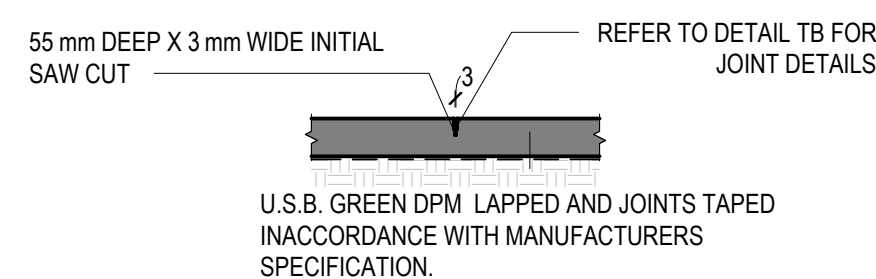
BASE TYPE BT01 (PLAN)
Scale 1:25



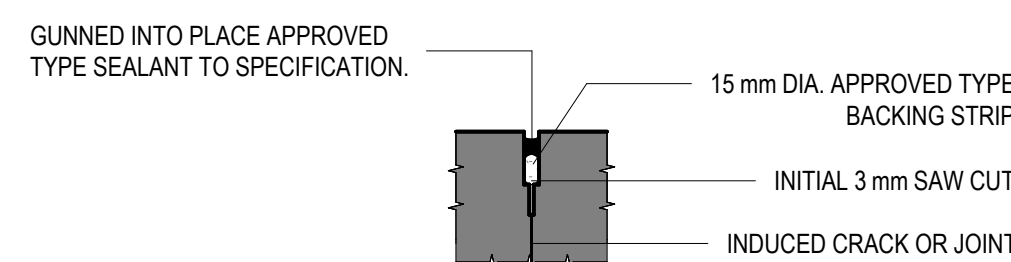
BASE TYPE BT01 (SECTION)
Scale 1:25



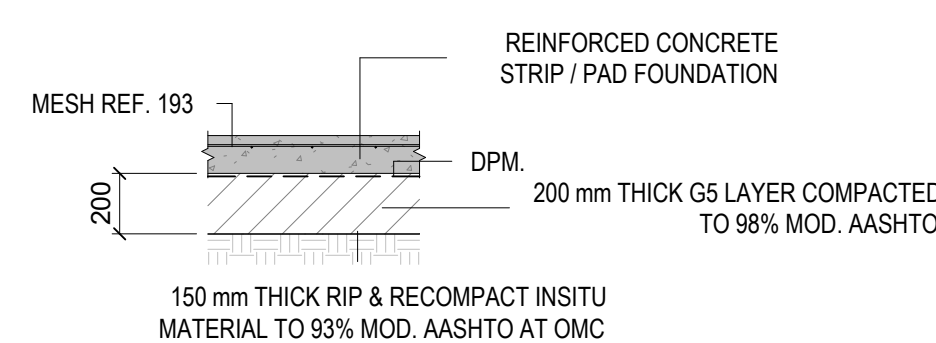
BLOCK B GROUND FLOOR LAYOUT
Scale 1:50



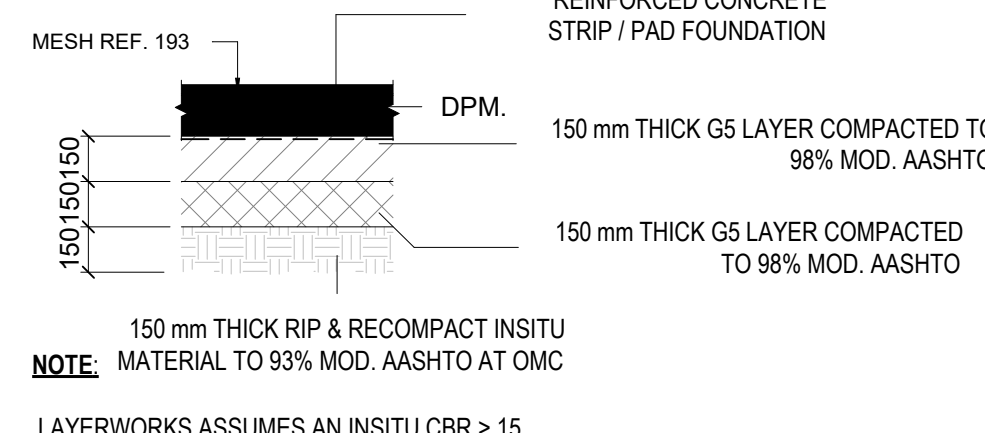
SAW CUT JOINT (S.J.)
Scale 1:25



DETAIL TB
Scale 1:5



LAYERWORKS DETAILS: FOUNDATIONS
Scale 1:25



LAYERWORKS DETAIL: SURFACEBED
Scale 1:25

COLUMN SCHEDULE

TYPE	DESCRIPTION
CL01	440x440 BRICK PIER

BASE FOUNDATION SCHEDULE

TYPE	DESCRIPTION
BT01	1000x1000x300 RC BASE

STRIP FOOTING FOUNDATION SCHEDULE

TYPE	DESCRIPTION
SF01	700x300 S.F

LEGEND

TOC	TOP OF CONCRETE	CJ	CONSTRUCTION JOINT
TOW	TOP OF WALL	SJ	SAW CUT JOINT
DIS	DOWNSTAND CONCRETE	MJ	MOVEMENT JOINT
UIS	UPSTAND CONCRETE	IJ	ISOLATION JOINT
RWP	RAINWATER PIPE	FB	FULL BORE OUTLET

KEY:

(Diagonal lines /)	NEW WALL
(Diagonal lines \)	EXISTING WALL TO REMAIN
(Dotted pattern)	EXISTING WALL TO BE DEMOLISHED

ALL DIMENSIONS TO BE CHECKED ON SITE PRIOR TO THE COMMENCEMENT OF ANY WORK. ANY DISCREPANCIES TO BE REPORTED TO THE AUTHOR IMMEDIATELY. THIS DRAWING IS TO BE READ IN CONJUNCTION WITH ALL ARCHITECTURAL AND STRUCTURAL DRAWINGS.

NOTES

- FOR GENERAL NOTES; REFER TO DRAWING.
- DRAWINGS ARE NOT TO BE SCALED. ALL LEVELS AND DIMENSIONS TO BE VERIFIED ON SITE PRIOR TO COMMENCEMENT OF WORKS. ANY DISCREPANCIES TO BE BROUGHT TO THE ENGINEER / ARCHITECT'S ATTENTION IMMEDIATELY.
- THIS DRAWING IS TO BE READ IN CONJUNCTION WITH ALL OTHER DRAWINGS, SCHEDULES AND SPECIFICATIONS RELATED TO THIS PROJECT.
- ALL BUILDING WORK AND MATERIALS ARE TO COMPLY WITH LOCAL AUTHORITY'S REQUIREMENTS AND ARE TO BE IN ACCORDANCE WITH SANS 10400 NATIONAL BUILDING REGULATIONS.

ISSUE / REVISION

NO	DESCRIPTION	DATE
A	ISSUED FOR TENDER	2022/11/11

CLIENT LDOE / THE MVULA TRUST



CONSULTANT SIST ENGINEERS

SIST ENGINEERS
SIMPLE INNOVATIVE SOLUTIONS ON TIME
22 SMISO NKWANYANA/GOBLE ROAD,
P.O BOX DURBAN, 3630
KWAZULU-NATAL, SOUTH AFRICA
TEL. +27 31 065 1039
www.sistengineers.co.za
Email : talu@sistengineers.co.za

PROJECT PROPOSED PERMANENT SANITATION FACILITIES FOR MUKULA SECONDARY SCHOOL

DRAWING TITLE BLOCK C GIRLS ENVIRO-LOO VIP ABLUTIONS

DRAWING CHECKS

DESIGNED	DRAWN	CHECKED BY	DATE
T.MUDAU	S.KHOMO	T.MUDAU	2022/11/10

PROFESSIONAL APPROVAL
ENGINEER: T.MUDAU PR REG. No.: 201430310
SIGNATURE: _____ DATE: 2022-11-10

DISCIPLINE STRUCTURES
DRAWING NUMBER
PROJECT: _____ SOLE: _____ DRAWING NO: _____ STAT: _____ REV: _____
SIST221101 SE - 102 - T - A

P: PRELIMINARY / C: CONSTRUCTION / D: DRAFT / T: TENDER / A: AS-BUILT

FOR TENDER

SCALE As Indicated **A1**