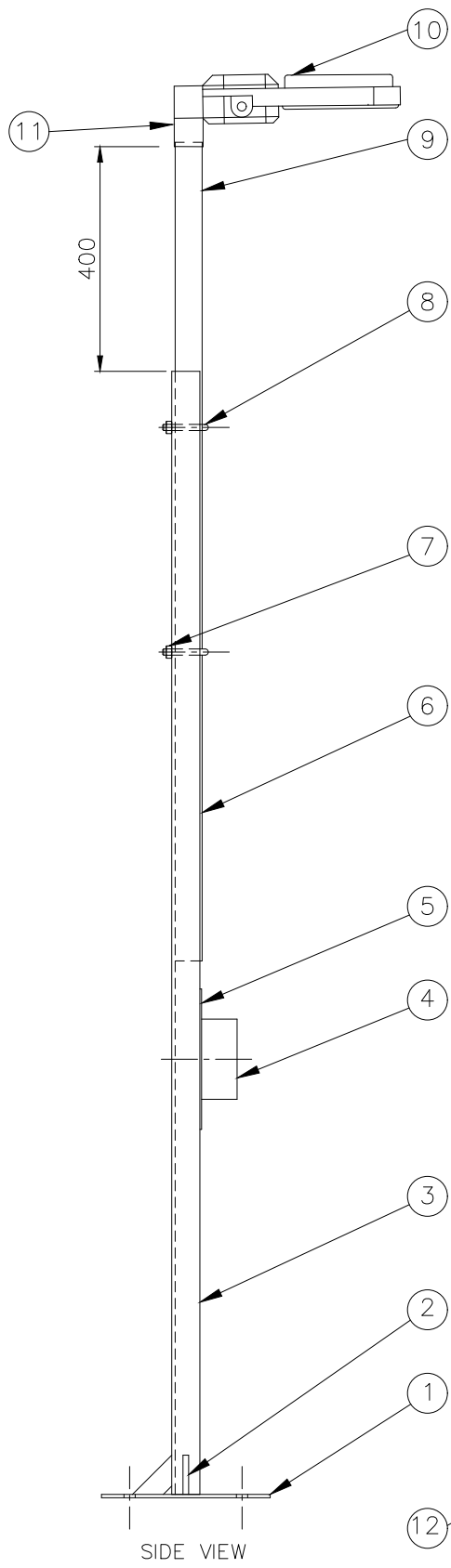
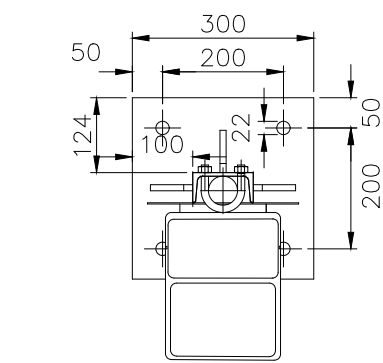


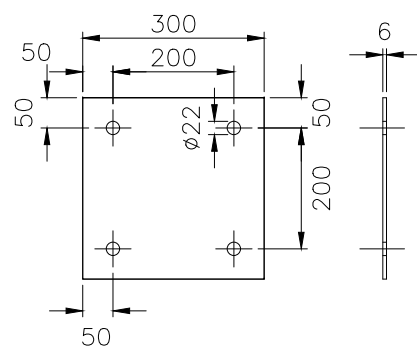
FRONT VIEW



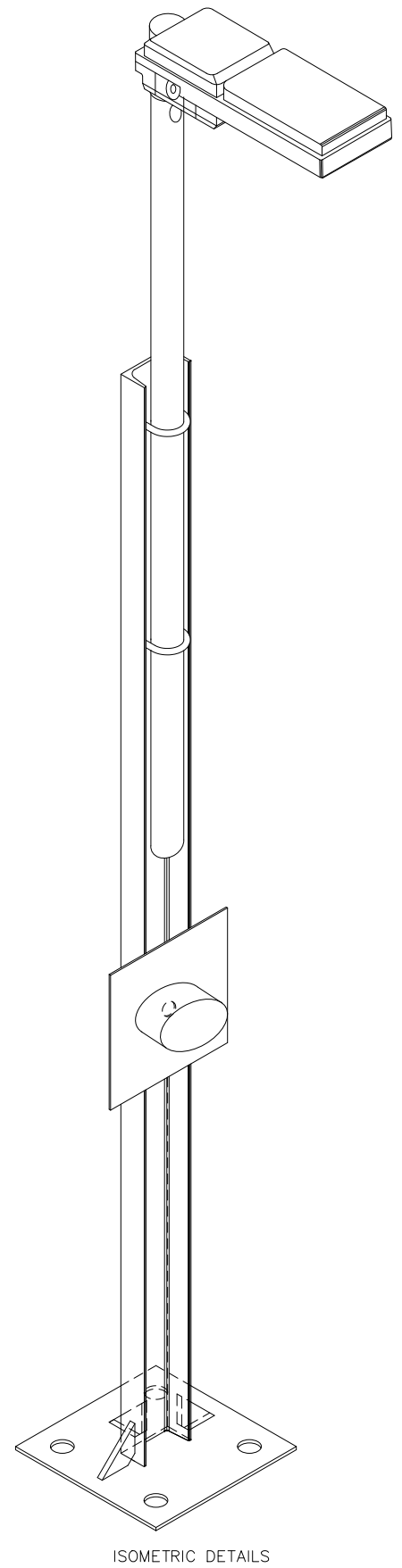
SIDE VIEW



TOP VIEW



BOTTOM BASE PLATE



ISOMETRIC DETAILS

GENERAL NOTES:

1. ALL WELDS TO BE 6mm FILLET WELDS ALL ROUND U.O.S.
2. SMOOTH ALL SHARP EDGES.
3. THE WHOLE STRUCTURE TO BE GALVANIZED TO SABS 1461.
4. M20 "RAWL" BOLTS TO SECURE THE FLOOR AND GROUT TO FILL FLOOR GAB.
5. ALL BOLTS TO BE GRADE 4.8 SABS 135 SPEC (GALV WITH WASHERS & NUTS).
6. APPROXIMATE LENGTHS PROVIDED, EXACT LENGTH TO BE DETERMINED ON SITE.
7. MATERIAL GRADE 350WA SABS 1431.

ITEM	DESCRIPTION	NO PER ASSEMBLY	DRG NO STORES ITEM SPEC NO	REMARKS
12	RAWL BOLT TO SUIT M20 POLE MOUNTING HOLES	4		PURCHASE
11	SUITABLE POLE MOUNTING BRACKET	1		PURCHASE
10	SUITABLE POLE MOUNTED LUMINAIRE	1		PURCHASE
9	GROMMET	1		PURCHASE
8	M12 "U" BOLT	1		PURCHASE
7	M12 WASHERS AND NUTS	1		PURCHASE
6	SUPA POLE - 50mm OD	1		PURCHASE
5	JUNCTION BOX MOUNTING PLATE FOR EX.	1		FREE ISSUE
4	3-WAY JUNCTION BOX TYPE EX WITH GLANDS	1		FREE ISSUE
3	CHANNEL SUPPORT 100X50X10.73Kg/m	1		PURCHASE
2	GUSSET SUPPORT 10mm THICK MILD STEEL	3		PURCHASE
1	BASE PLATE 6mm THICK MILD STEEL	1		PURCHASE

-01/ ADDED RAWL BOLTS, AMENDED DRAWINGS T.N 2022/07/28

REVISIONS PROJECT NAME

ITEM	DESCRIPTION	NO PER ASSEMBLY	DRG NO STORES ITEM SPEC NO	REMARKS
------	-------------	-----------------	----------------------------	---------



TYPICAL FREE STANDING LIGHT POLE (FOR MANIFOLD LIGHTING POLES)

DRAWN	BDN	REF.	
TRACED	CAD	DATE	13/05/2021
CHECKED	K.N	APPROVED	

SCALE N.T.S

DRAWING No. PL -121580 REV 01

PROPOSAL