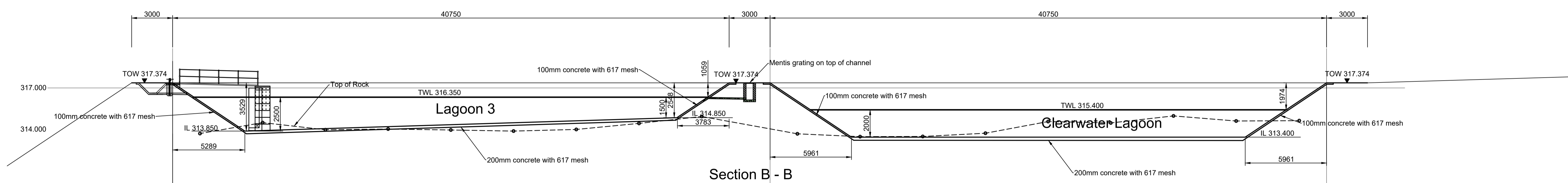
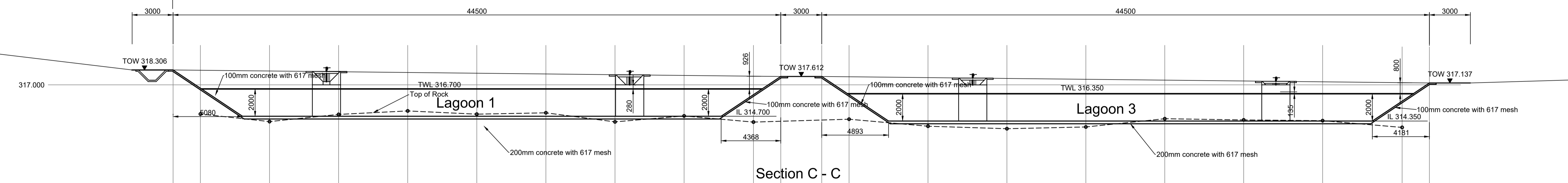


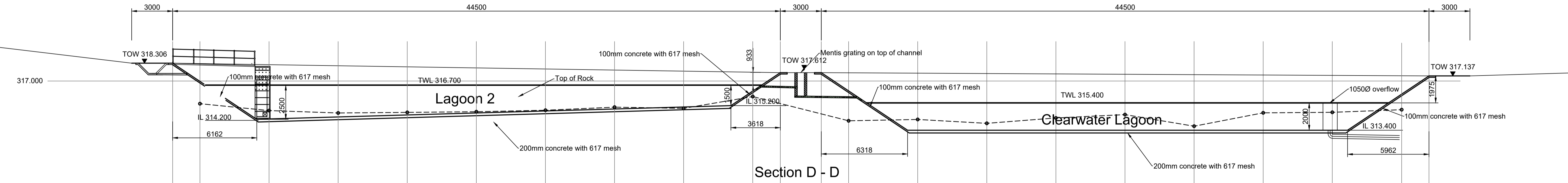
Section A - A



Section B - B

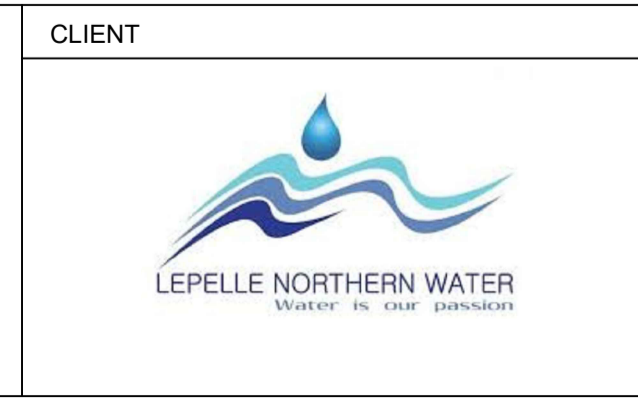


Section C - C



Section D - D

REV	DATE	CHK	APP	DESCRIPTION



39 GROBLER STREET  
 POLOKWANE 0699  
 P.O. BOX 6196  
 POLOKWANE NORTH  
 0750  
 TEL : (015) 291 4065  
 FAX : (015) 291 4043  
 website: [www.muteo.co.za](http://www.muteo.co.za)

PROJECT APPR	DATE	BY	SIGNATURE
DESIGNED		K. NKWADA Pr-Eng.	
CHECKED		H. MAKWARELA Pr-Eng.	
DRAWN		K. WOOLLEY	
PROJECT MNG.			
APPROVED		H. MAKWARELA Pr-Eng.	
CLIENT			

SCALE	TITLE
DO NOT SCALE IF IN DOUBT ASK.	CONSTRUCTION OF SLUDGE LAGOON, PUMPSTATION AND PIPELINE
PROJECT No.	DRAWING No.
DRG SIZE A1	MC/LNW-XX/12-03

ALL DIMENSION IN mm UNLESS SPECIFIED OTHERWISE