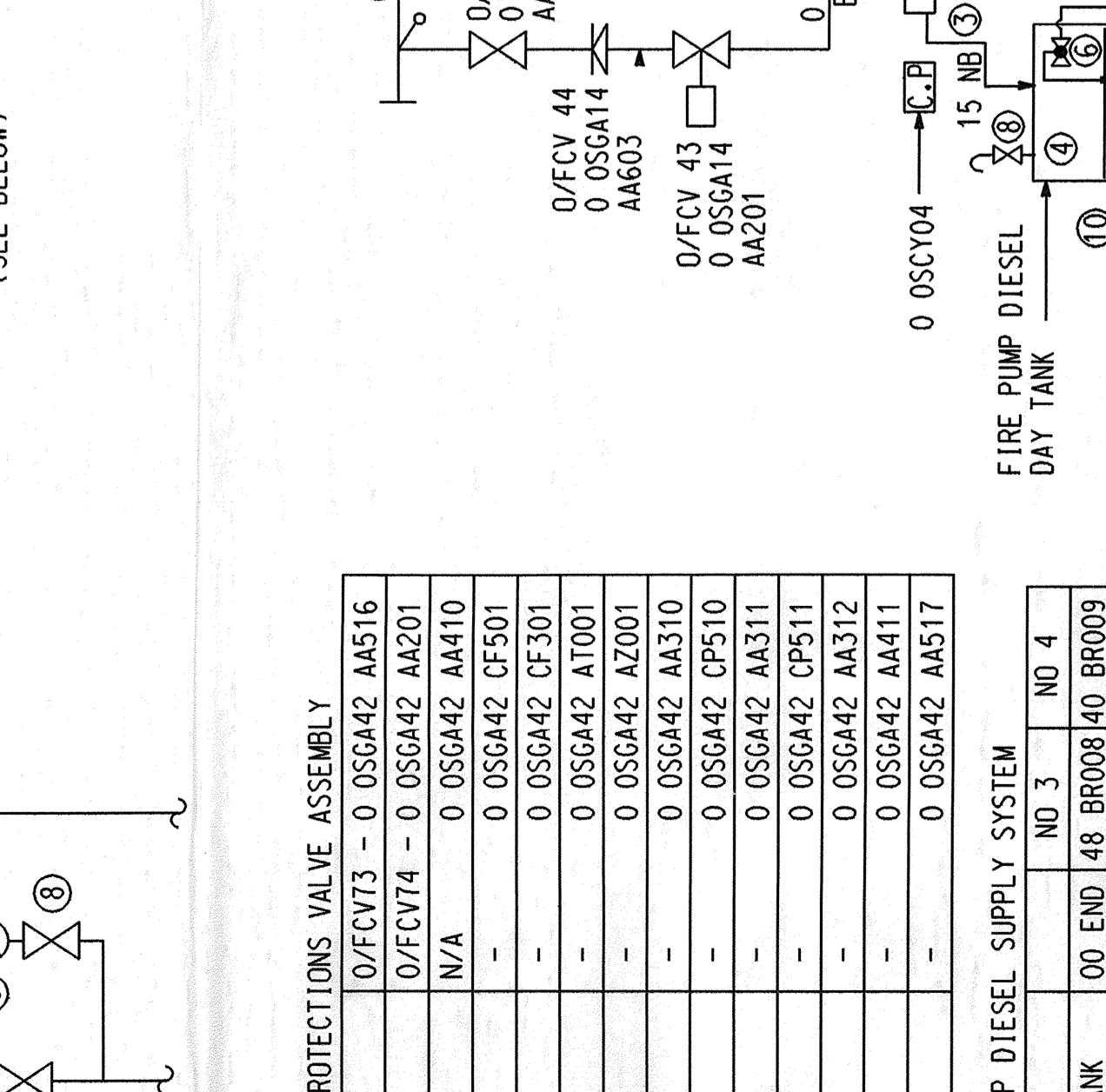
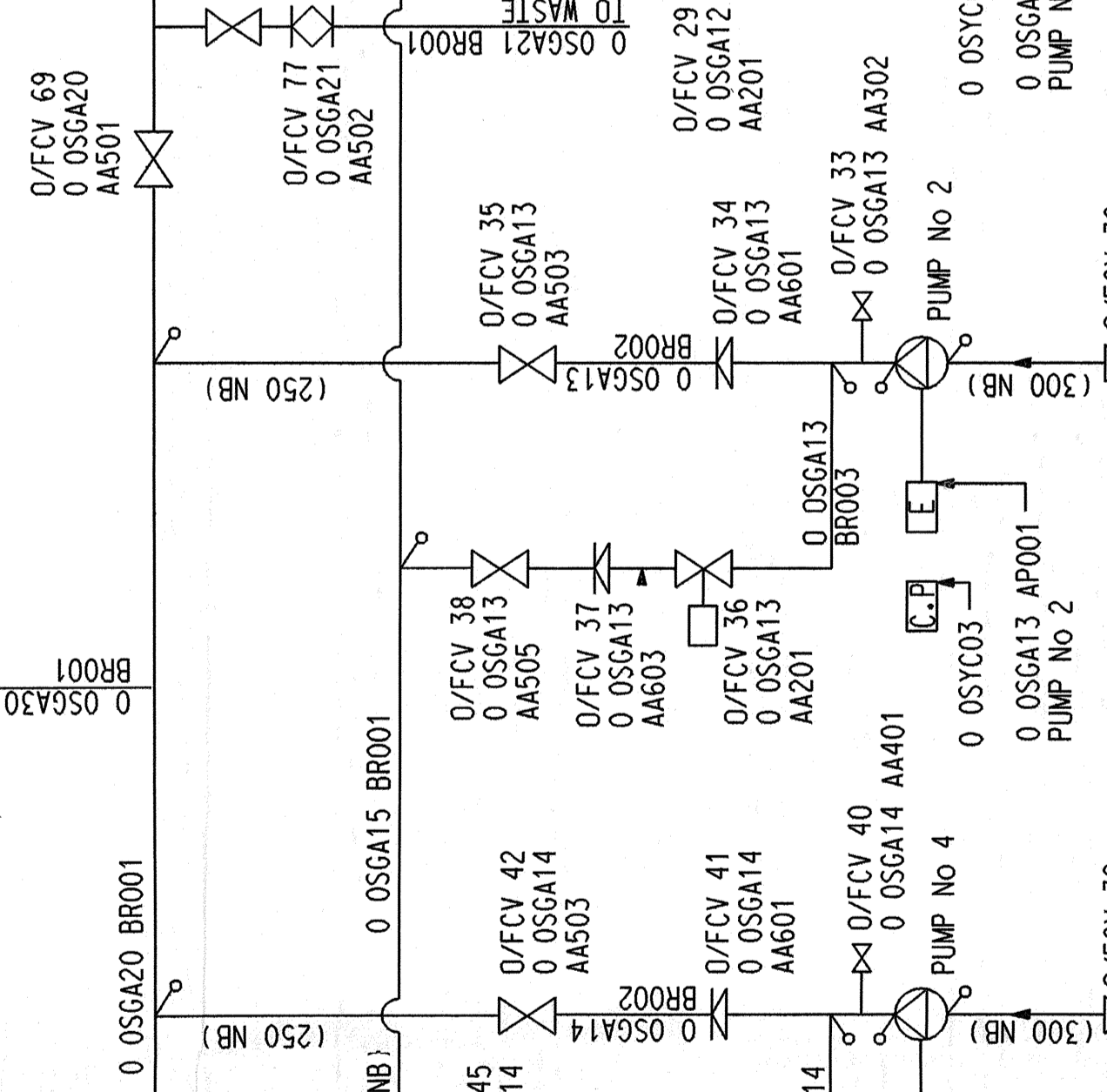
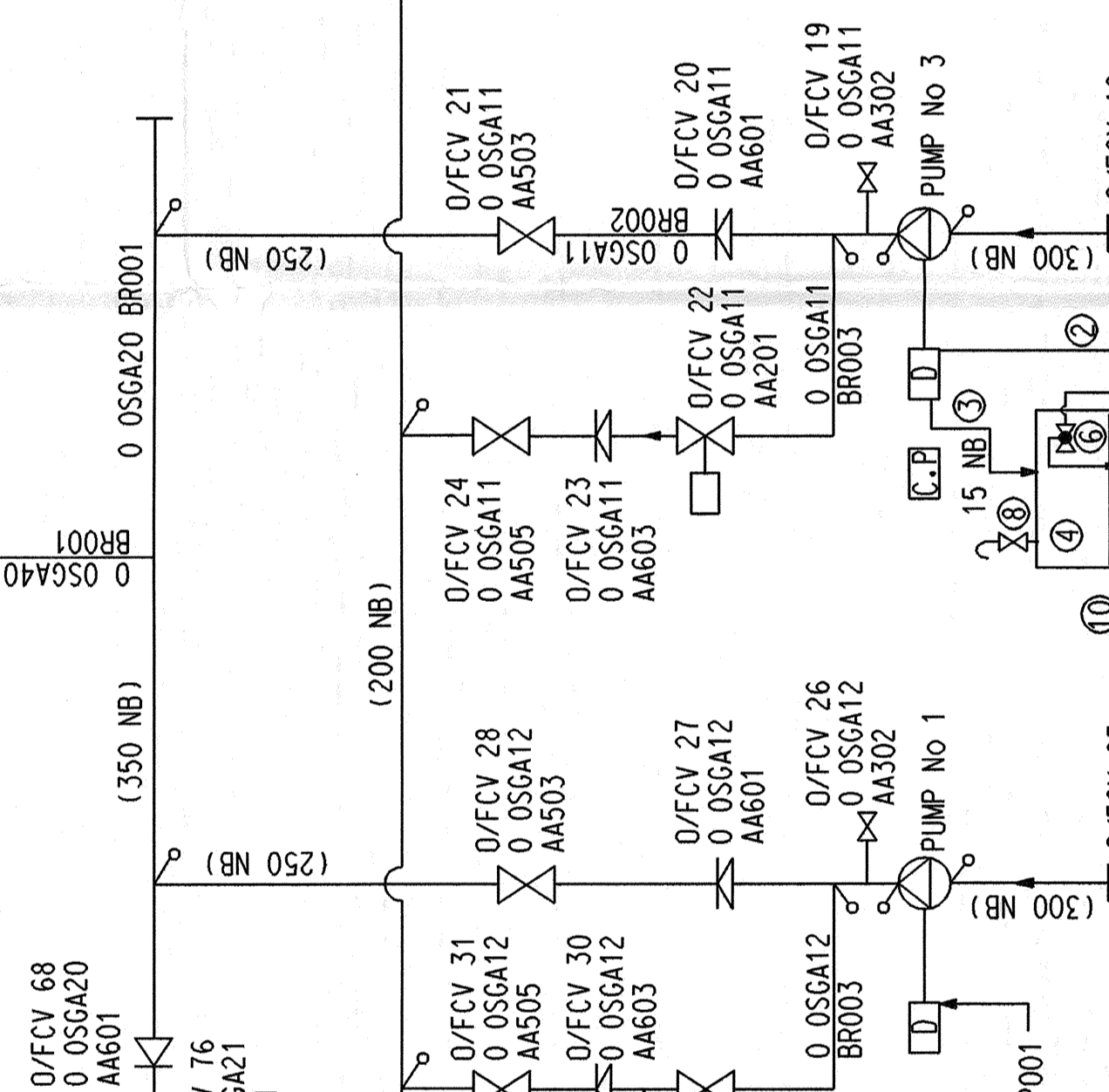
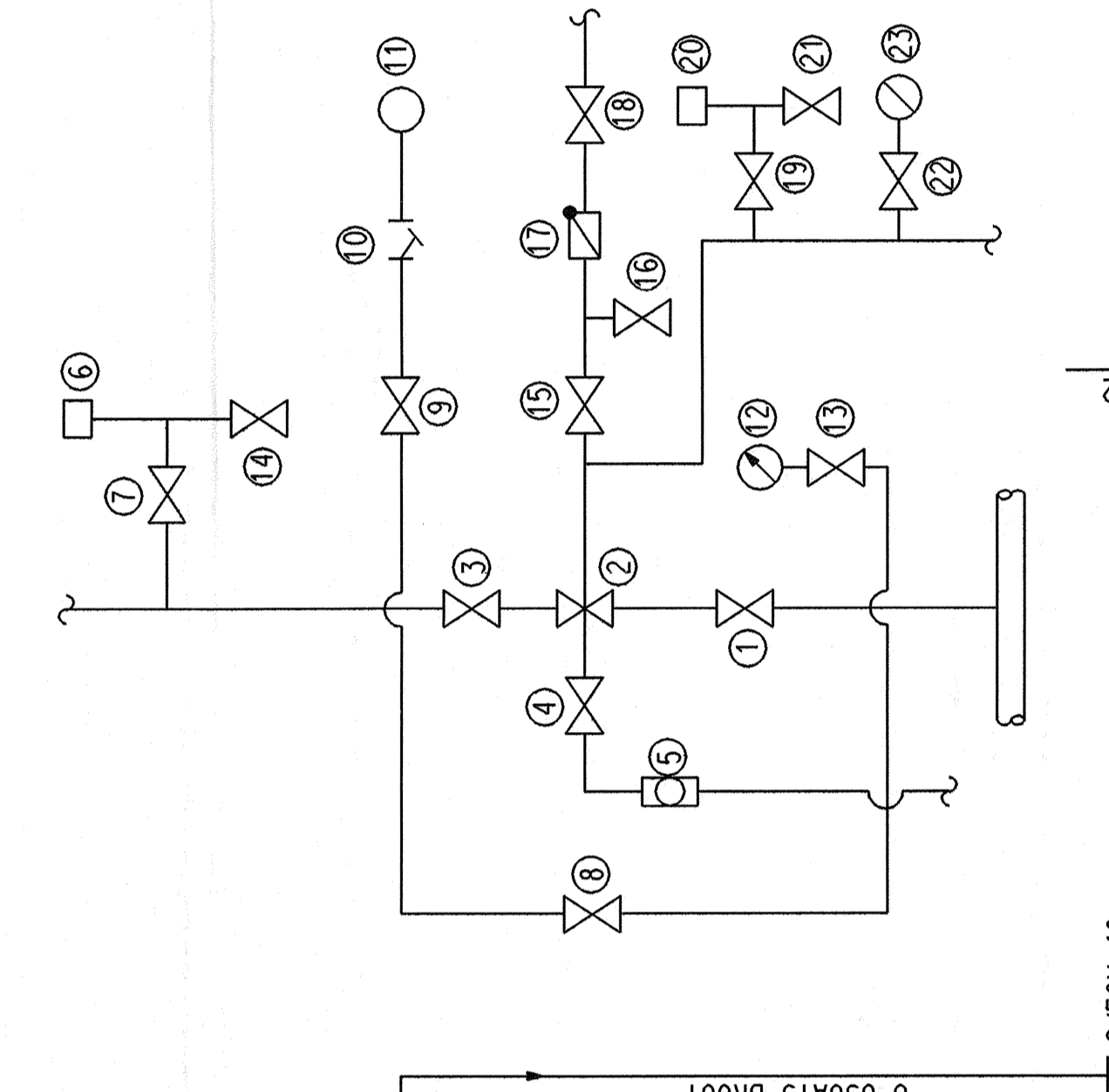


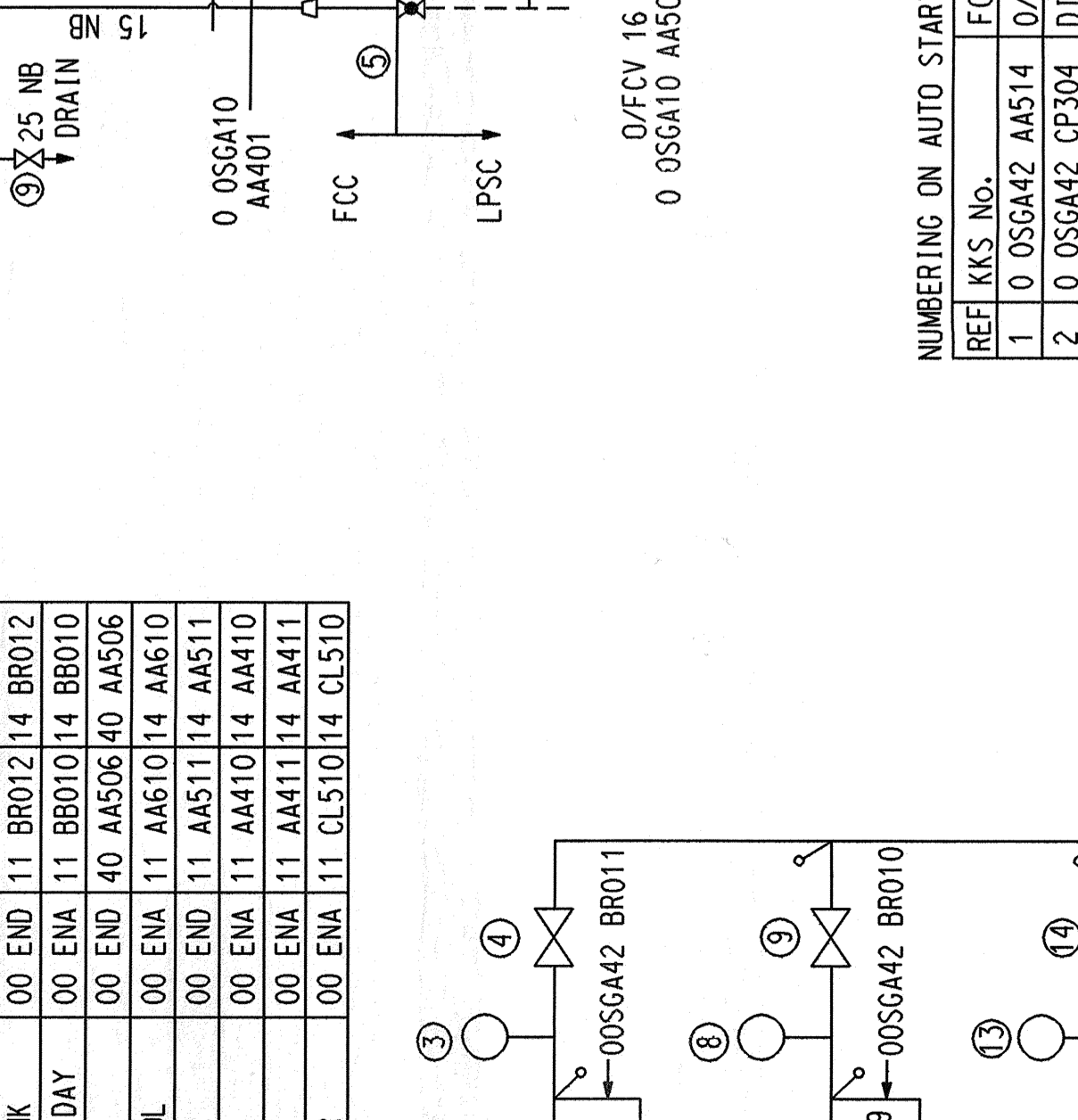
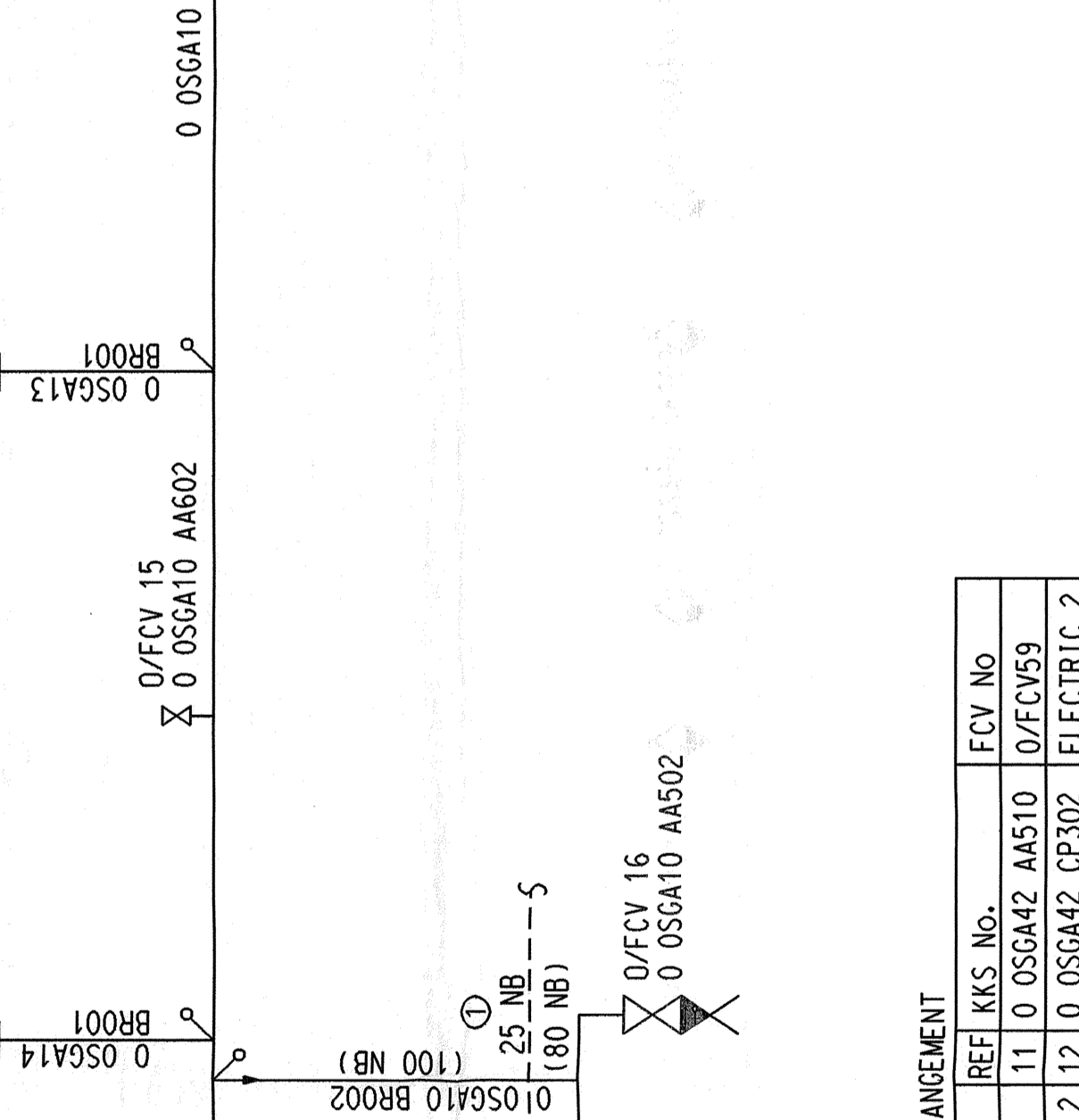
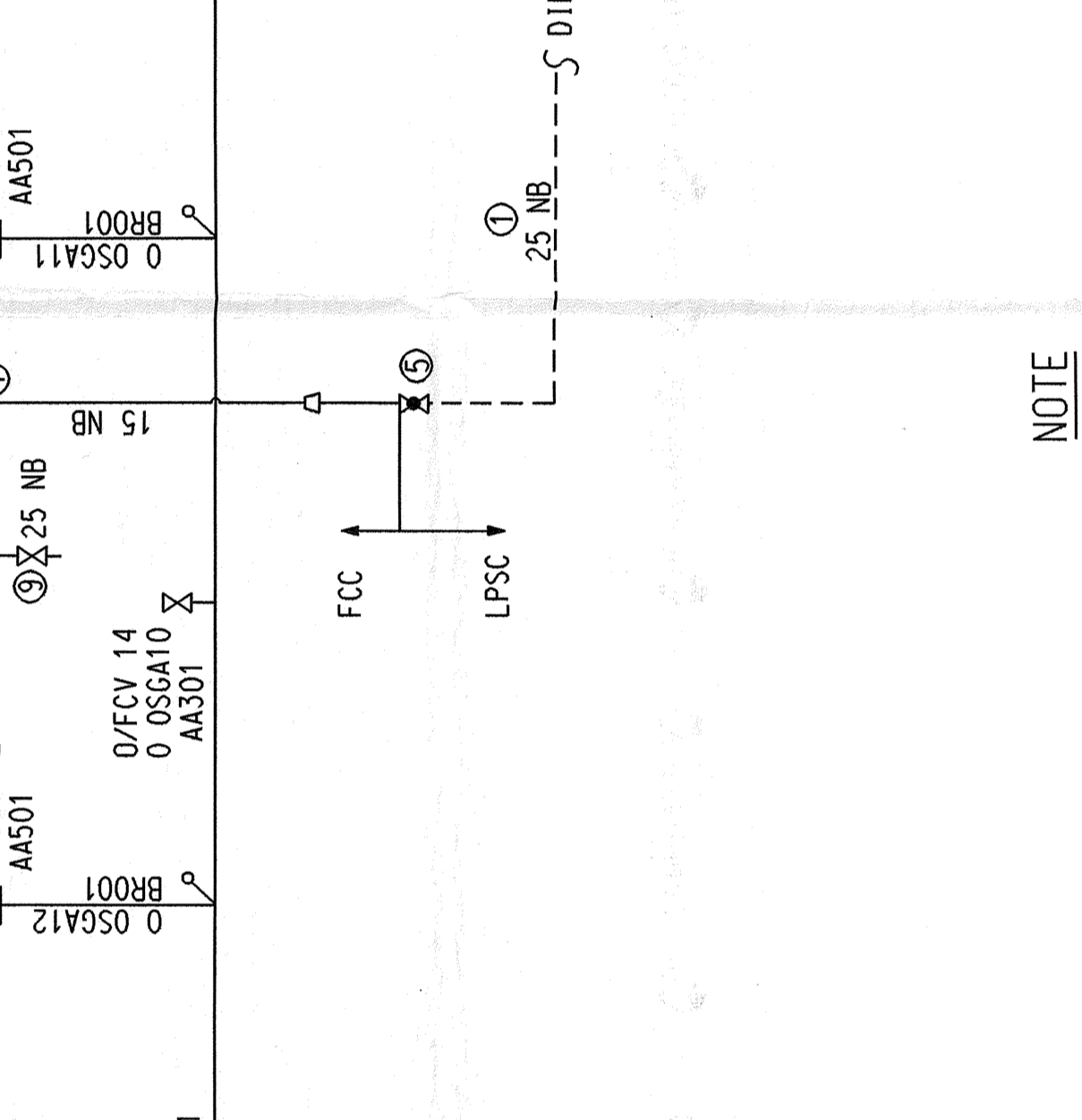
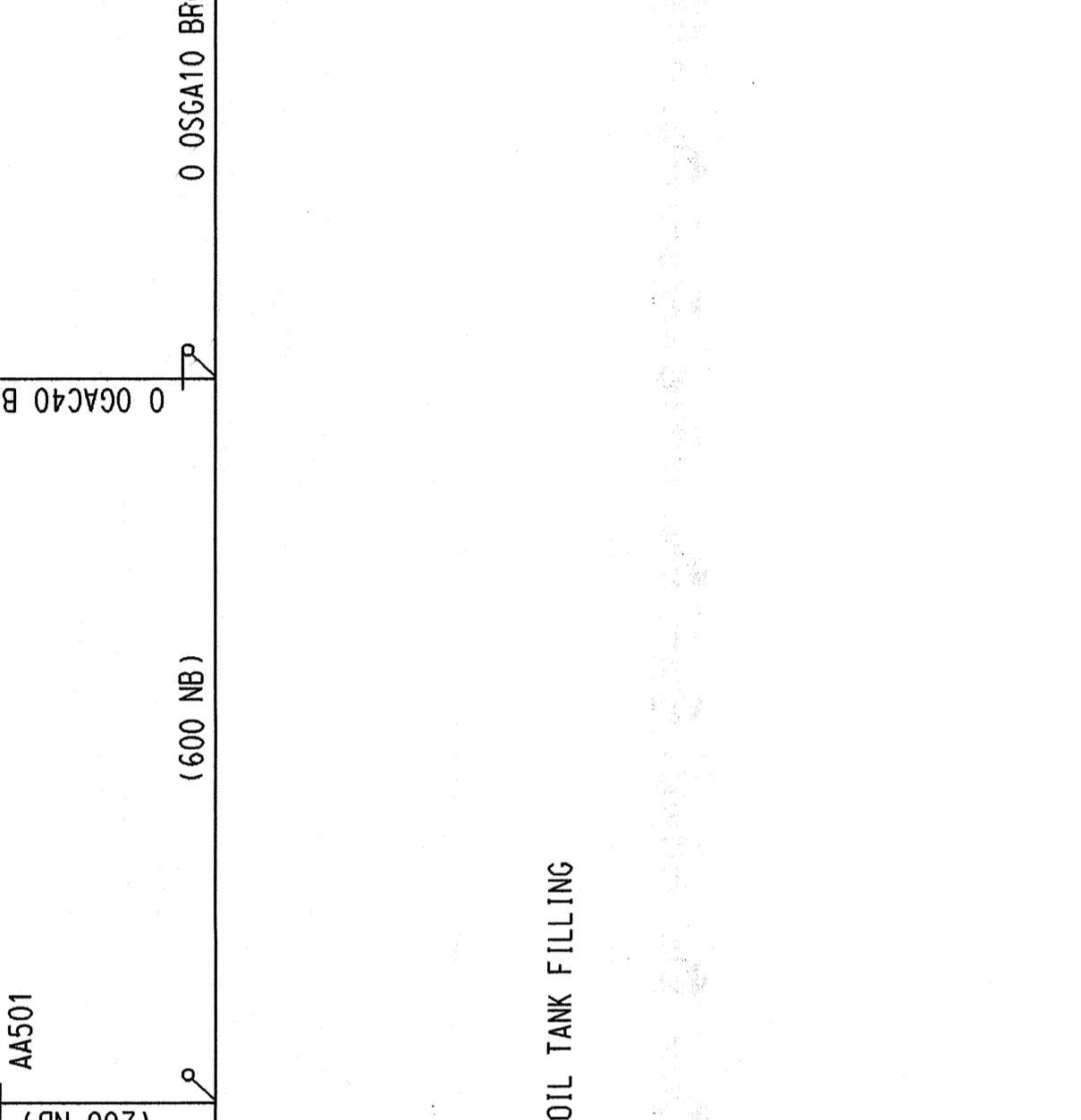
**NUMBERING ON STATION TRANSFORMER VALVE ASSEMBLY**

1 ISOLATING VALVE	O/FCV50 - 0 OSGA41 AA503
2 DELUGE CONTROL VALVE	O/FCV51 - 0 OSGA41 AA502
3 TEST VALVE	O/FCV52 - 0 OSGA41 AA504
4 DRAIN VALVE	N/A
5 SIGHT GLASS	0 OSGA41 AA401
6 PRESSURE SWITCH	0 OSGA41 CP301
7 ISOLATING VALVE	0 OSGA41 AA302
8	0 OSGA41 AA505
9 ISOLATING VALVE	0 OSGA41 AA506
10 STRAINER	0 OSGA41 AT001
11 ALARM GONG	0 OSGA41 AZ001
12 GAUGE	0 OSGA41 CP501
13 GAUGE COCK	0 OSGA41 AA301
14 DRAIN VALVE	0 OSGA41 AA512
15 GAUGE COCK	0 OSGA41 AA301
16 ISOLATING VALVE	0 OSGA41 AA301
17	0 OSGA41 AA301
18	0 OSGA41 AA511
19	0 OSGA41 AA301
20	0 OSGA41 CP301
21	0 OSGA41 AA502
22	0 OSGA41 AA502
23	0 OSGA41 CP502



**NUMBERING ON DIESEL PROTECTIONS VALVE ASSEMBLY**

1 ISOLATING VALVE	O/FCV73 - 0 OSGA42 AA516
2 ALARM VALVE	O/FCV74 - 0 OSGA42 AA201
3 DRAIN VALVE	N/A
4 SIGHT GLASS	0 OSGA42 CP501
5 FLOW SWITCH	0 OSGA42 CP301
6 STRAINER	0 OSGA42 AT001
7 ALARM GONG	0 OSGA42 AZ001
8 GAUGE COCK	0 OSGA42 AA310
9 GAUGE	0 OSGA42 CP510
10 GAUGE COCK	0 OSGA42 AA311
11 GAUGE	0 OSGA42 CP511
12	0 OSGA42 AA312
13	0 OSGA42 AA511
14	0 OSGA42 AA517



RECEIVED  
28 MAR 2018  
Documentation Centre  
Department of Water and Sanitation

**MATIMBA POWER STATION  
FIRE PROTECTION  
P & ID SYSTEM**

NO	11
SCALE	20:58 / 10429
DATE	20
BY	DM
CHECKED BY	DM
APPROVED BY	DM
DESIGNED BY	DM
DRAWN BY	DM
DATE	20
NO	11

PROJECT: MATIMBA POWER STATION FIRE PROTECTION P & ID SYSTEM  
DRAWN BY: DM  
DATE: 20  
NO: 11