

REQUEST FOR INFORMATION



The purpose of this **Request for Information (RFI)** is to identify possible suppliers with the specialized capabilities, requiring the software development and supply of the Scenario Generator (SG) software element of the Mobile Air Defence System (MobADS).

RFI Reference Number	10478-60020-502006
Denel Dynamics, a division of Denel SOC Ltd	Address: Nellmapius Drive, Centurion, Pretoria Websites: www.deneldynamics.co.za / www.denel.co.za
Description of RFI:	Software development and supply of the Scenario Generator (SG) for the Mobile Air Defence System (MobADS).
Issue date of RFI:	27 February 2023
RFI supporting documents (If applicable):	Nil
Compulsory onsite briefing:	Not applicable to this RFI
RFI closing date and time:	10th March 2023 @ 16H00
<i>Suppliers should ensure that information is delivered timeously and to the correct email address (reflected on the cover page of this RFI document). If the information is late, it will not be considered for evaluation.</i>	
<i>Denel Dynamics may seek clarification from and enter into discussions with any or all of the Suppliers in relation to their RFI response provided. Denel Dynamics may use the information obtained when clarification is sought or discussions are held in interpreting the RFI information and evaluating the cost and risk of accepting the RFI information. Failure to supply clarification to the satisfaction of Denel Dynamics may render the RFI information liable to disqualification.</i>	
RFI delivery e-mail address:	Gerrit.Visagie@deneldynamics.co.za
RFI enquiry email address:	
ALL RFI RESPONSES MUST BE COMPLETED USING THE ENGLISH LANGUAGE	

CONTENTS

SECTION 1: DEFINITIONS	3
SECTION 2: OVERVIEW OF REQUIREMENT	3
SECTION 3: INFORMATION REQUESTED	11
SECTION 4: RESPONSE EXPECTATIONS	11

ANNEXURES

ANNEXURE A: SUPPLIER DETAILS	12
ANNEXURE B: SUPPLIER REFERENCES	13
ANNEXURE C: COMPULSORY AND SUPPLIER SUPPORTING DOCUMENTS	14
ANNEXURE D: SUPPLIER DECLARATION	15
ANNEXURE E: RFI IMPORTANT INFORMATION	16

SECTION 1: DEFINITIONS

- 1.1 SOC means State Owned Company, as defined by the Companies Act;
- 1.2 Compulsory documents means the list of compulsory schedules and documents set out in Annexure C;
- 1.3 SARS means the South African Revenue Service;
- 1.4 GCU means Ground Control Unit.
- 1.5 RFI means Request for information.

SECTION 2: OVERVIEW OF REQUIREMENT

The purpose of this RFI document is to identify potential suppliers that possess the relevant knowledge and previous experience to undertake software development and the supply of the Scenario Generator (SG) for the Mobile Air Defence System (MobADS).

Potential Respondents cannot be given access to any further technical documents relating to this RFI as referenced herein, unless a valid and up to date Confidential Facility Security Clearance Certificate (FSC) issued by Armscor's Security Division (ASD) is provided. As soon as the FSC is provided, the referenced technical documents will be shared.

Experience in development of Tactical Command and Control software development contracts for the South African Air Defence Artillery is essential and is a pre-requisite.

1. TECHNICAL OVERVIEW

1.1 SUBSYSTEM OVERVIEW – SCENARIO GENERATOR (SG)

- a. The Prime Mission Equipment (PME) to be established is a Mobile Air Defence System (MobADS).
- b. The primary function of the Scenario Generator (SG) software is to provide coordinated inter-node Middleware (MW) objects on each Command and Control, Communications, Computers and Information (C4I) node so as to emulate a user-defined ground deployment and threat scenario.
- c. The SG will be based on the source code from existing tools such as Radar Simulator (RadSim), Communication Network Load Tester (CNLT) and the MobADS-Sim, the MobADS simulation system. However, unlike these existing tools, the SG will be a fully compatible MW application and will interface directly to the MWS.
- d. Development of the SG will follow an iterative process. A basic SG, based on the Air Scenario Generator of MobADS-Sim, will be developed in the first iteration and used by Denel Integrated System Solutions (ISS) in the Integration Test Bed (ITB) for pre-integration testing. The basic SG will be configured using two user-defined human-readable setup files, namely the deployment scenario file and the threat scenario file.

- e. The deployment scenario setup file defines the MobADS deployment configuration in terms of physical elements, equipment IDs and deployed positions. The threat scenario setup file defines the air threat in terms of target types, quantities and flight profiles. The ITB Scenario Generator (ISG) contains an air scenario generator module and multiple radar simulation modules. Each radar simulation module emulates a RadSim External Interface Unit (EIU) combination for a single C4I sensor node. These simulation modules are used by the ISG to output synchronised air tracks from multiple sensor C4I nodes as per the deployment and threat scenario setup files.
- f. The second iteration of the SG will include a GUI interface to allow an operator to configure the ground deployment and threat scenario using the HMI. For the third and final iteration the SG will be updated to the extent required to address all the operational requirements for the On-Equipment Training (OET) Scenario Generator and MobADS Training System (MTS) Scenario Generator.

2. APPLICABLE DOCUMENTATION

2.1 SPECIFICATIONS (TO BE SUPPLIED UPON RECEIPT OF FSC)

- 2.1.1** Software Requirement Specification (SRS) for the Scenario GENERATOR, document number 10530-44560-422001, Issue 1. To be supplied on receipt of the FSC.

2.2 DESCRIPTION OF STANDARDS/ CONDITIONS OF CONTRACT

- 2.2.1** Denel SOC (Ltd) General Conditions of Purchase, Issue 3.
- 2.2.2** ARMSCOR General Conditions of Contract, A STD 0020, Issue 1 dated 20 April 2009.

DETAILED STATEMENT OF WORK

.1 OVERVIEW OF SG

The primary function of the SG is to provide coordinated inter-node MW objects on each C4I node so as to emulate a user-defined ground deployment and threat scenario.

The SG will be based on the source code from existing tools such as RadSim, CNLT and the MobADS-Sim, the MobADS simulation system. However, unlike these existing tools, the SG will be a fully compatible Middleware (MW) application and will interface directly to the MWS.

Development of the SG will follow an iterative process. A basic ISG, based on the Air Scenario Generator of MobADS-Sim, will be developed in the first iteration and used by Denel ISS in the ITB. The basic ISG will be configured using two user-defined human-readable setup files, namely the deployment scenario file and the threat scenario file.

The deployment scenario setup file defines the MobADS deployment configuration in terms of physical elements, equipment IDs and deployed positions. The threat scenario setup file defines the air threat in terms of target types, quantities and flight profiles. The ISG contains an air scenario generator module and multiple radar simulation modules. Each radar simulation module emulates a RadSim-EIU combination for a single C4I sensor node. These simulation modules are used by the ISG to output synchronised air tracks from multiple sensor C4I nodes as per the deployment and threat scenario setup files.

The second iteration of the SG will include a GUI interface to allow an operator to configure the ground deployment and threat scenario using the HMI. For the third and final iteration the SG will be updated to the extent required to address all the operational requirements for the OET Scenario Generator and MobADS Training System (MTS) Scenario Generator.

The block diagram in Figure 1 shows the protocols used by the SG to communicate to the nodes.

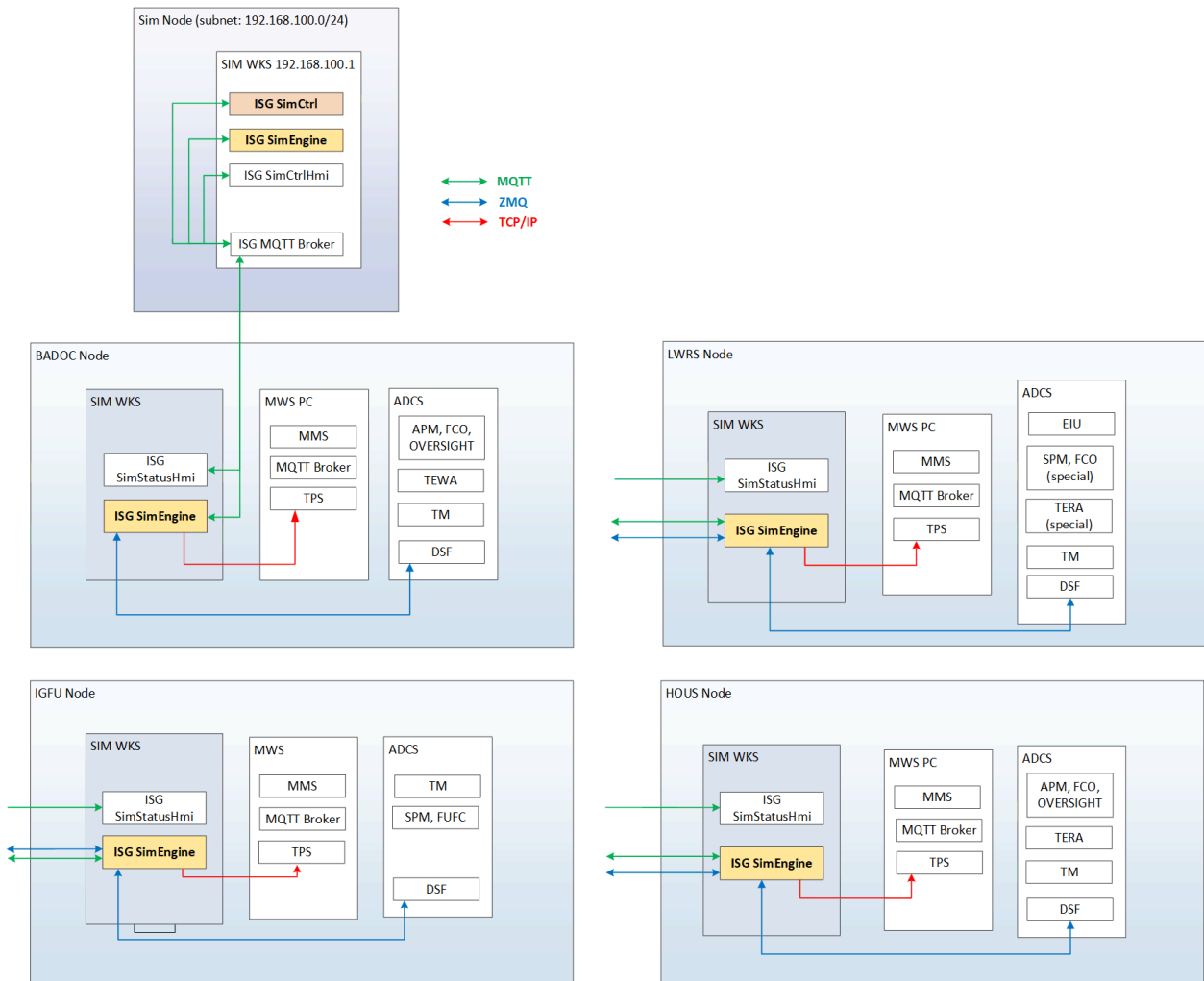


FIGURE 1: ISG BLOCK DIAGRAM

.1.1 Usage in the ITB

The ISG will be used in the ITB to provide coordinated inter-node MW objects on each C4I node so as to emulate a user-defined ground deployment and threat scenario. To achieve coordinated stimulation across multiple nodes, the ISG will be a distributed simulation system, comprising a single ISG master and several ISG slaves (or clients).

In the ITB Environment there is a single ISG master. The ground deployment and threat scenario is defined by the user on the ISG master (interface ITBE IF-04 in Figure 2). Each ITB C4I node will have an instance of the ISG slave. The ISG master will control and coordinate the ISG slaves (interface ITBE IF-06 in Figure 2) so as to provide a coordinated stimulation across all nodes as per the ground deployment and threat scenario setup.

Note: This will not be required for the OET Scenario Generator or the MobADS Training System (MTS) Scenario Generator as only a single central ISG is required for that purpose.

On each ITB C4I node, the ISG slave will:

- a. Configure the GPS position of the C4I node:
 - i. The ISG slave will control the Middleware Time Position Server (TPS) on each C4I node (interface TPS IF-01) in order to emulate (spooF) the required position of the C4I node as per the deployment scenario setup file (interface ITBE IF-04).
 - ii. The TPS will provide the spoofed position to all applications on the C4I node (interface TPS IF-02).
 - iii. The ISG will publish the corresponding outgoing inter-node MW objects for the Link-ZA L06 (physical element positions) and C02 (equipment positions) messages for the C4I node (interface ITBE IF-09).
 - iv. If the ITB environment comprises multiple C4I nodes, the ISG-TPS combination on each node will emulate (spooF) the required position for the nodes in a coordinated manner as per the deployment scenario setup file.

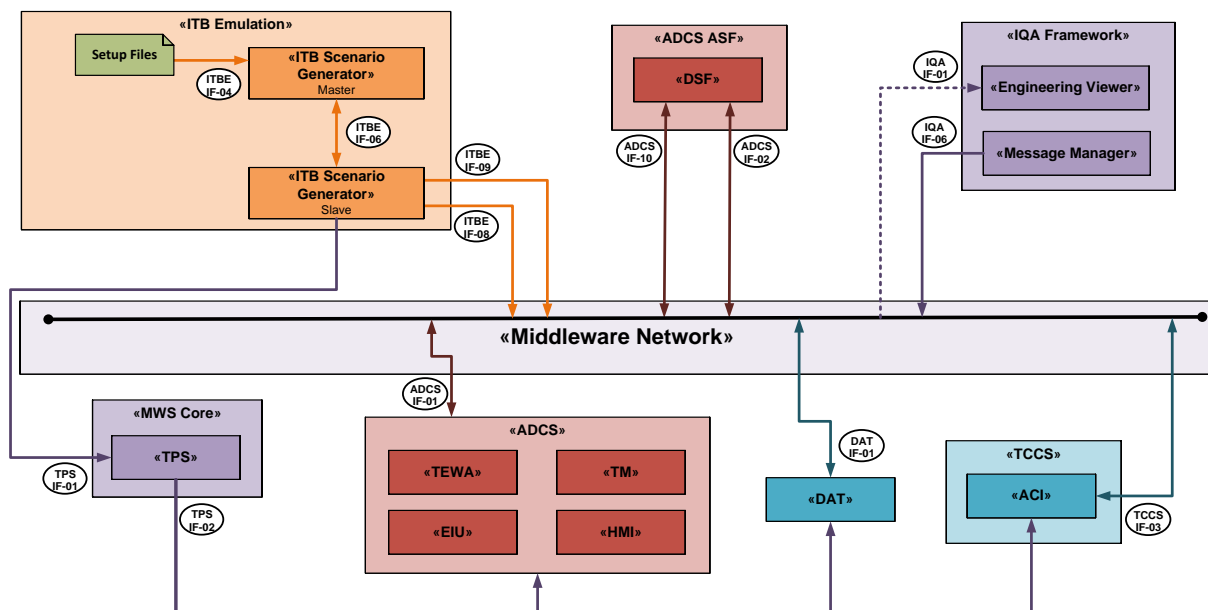


FIGURE 2: ISG EMPLOYMENT IN THE ITB

- b. Emulate the incoming deployment-related inter-node MW objects for all other nodes (that are required but not present) as per the ground deployment scenario;
 - i. The ISG will publish the incoming inter-node MW objects for the Link-ZA L06 and C02 messages (interface ITBE IF-09) as if they have originated from external C4I nodes (that are required but not present) so as to emulate the required deployment scenario.
- c. Emulate the local sensor tracks if the C4I node is a sensor node;
 - i. For sensor nodes, the ISG will emulate the RadSim-EIU combination for local sensor.

- ii. The ISG will publish the intra-node MW sensor tracks on the MWS system (interface ITBE IF-08) as if they have originated from the RadSim-EIU combination for the node.
- d. Emulate the incoming sensor-related inter-node MW objects for all other nodes (that are required but not present) as per the ground deployment scenario.

The ISG will publish the incoming inter-node MW objects for the Link-ZA C01 (air track) and C04 (bearing track) (interface ITBE IF-09) as if they have originated from external C4I sensor nodes so as to emulate synchronised air tracks from multiple sensor C4I nodes as per the deployment and threat scenario setup files.

.2 FU EMULATOR

.2.1 Overview of the FU Emulator

The FU Emulator is a new stimulation tool originating from the MobADS simulation system.

The primary function of the FU Emulator is to provide coordinated inter-node MW objects on each C4I node so as to emulate the AD control inter-node messages (related to the Link-ZA T61I, T63A, T63B, T63D T63H, T63L and T63S messages) of the Gun FU, VSHORAD FU and SHORAD FU C4I nodes (that are required but not present) as per user-defined ground deployment setup. The synchronised AD control from multiple FU C4I nodes is needed to exercise the fire control functions at the BADOC element.

Development of the FU Emulator will follow an iterative process. A basic FU Emulator will be developed in the first iteration and used by DLS ISS in the ITB and by RRS for pre-integration testing. The basic FU Emulator will be configured using user-defined human-readable setup files for each FU type (Guns, VSHORADS and SHORADS). The FU setup files will define the setup parameters for each FU, such as the ammunition type and quantity and the no fire arcs.

The FU Emulator will be developed by DLS ISS based on the source code from existing tools such as SimFrame and the MobADS-Sim, the MobADS simulation system. However, unlike these existing tools, the FU Emulator will be a fully compatible MW application and will interface directly to the MWS.

The deployment scenario setup defines the MobADS deployment configuration in terms of physical elements, equipment IDs and deployed positions. The ISG Master will synchronise the deployment scenario setup with the FU Emulator. The FU Emulator contains multiple FU simulation modules, each emulating a single C4I FU node. These simulation modules are used by the FU Emulator to output AD control inter-node messages (related to the Link-ZA T61I, T63A, T63B, T63D T63H, T63L and T63S messages) as per the deployment and threat scenario and FU setup files.

The second and final iteration of the FU Emulator will include a GUI interface to allow a classroom trainer instructor to configure the FU scenario using the HMI. The FU Emulator will also be updated to the extent required to address all the operational requirements for the MobADS Training System (MTS) FU Emulator.

.2.2 Usage in the ITB

In the ITB Environment there is a single ISG master and one or more FU Emulators. The FU Emulator can be configured to emulate one or more FU C4I nodes. The ISG master will coordinate the FU Emulator (interface ITBE IF-10 in Figure 3) so as to provide a coordinated stimulation across all nodes as per the ground deployment and threat scenario setup.

On each ITB C4I node, the FU Emulator will:

- a. Emulate the incoming AD control-related inter-node MW objects for the nodes (that are required but not present) as per the ground deployment scenario, threat scenario and FU setup;
 - i. The FU Emulator will publish the incoming inter-node MW objects for the Link-ZA T611, T63A, T63B, T63D T63H, T63L and T63S messages (interface ITBE IF-11 in Figure 3) as if they have originated from external C4I FU nodes (that are required but not present) so as to emulate the required deployment scenario.
- b. Provide feedback to the ISG Master to remove targets/threats from the threat scenario that have been eliminated/killed by FUs.

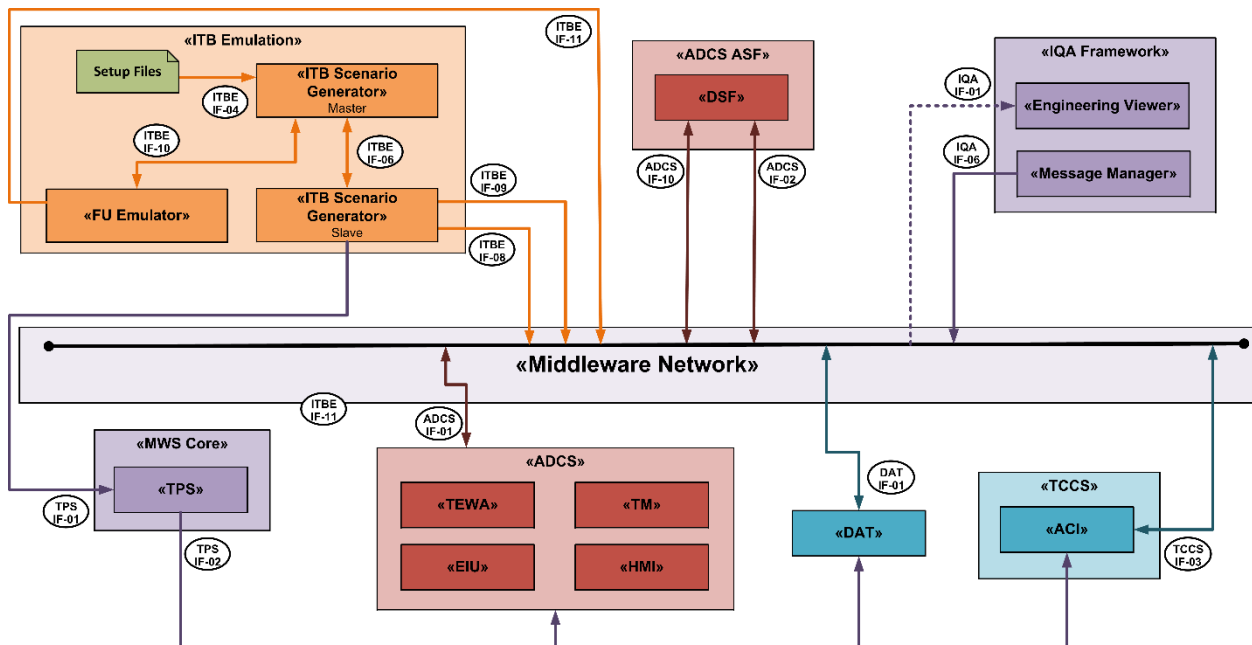


FIGURE 3: FU EMPLOYMENT IN THE ITB

.3 USAGE IN THE MOBADS TRAINING SYSTEM

The SG will also form the basis of the stimulation tools to be used in the Instructor Work Station (IWS) software of the MobADS Training System (MTS). The following IWS need to be developed:

- a. Battery Team Trainer (BTT) IWS.
- b. TCCS Proficiency Trainer (TPT) IWS.
- c. Higher Order User System (HOUS) IWS.

For the final iteration the SG will be updated to the extent required to address all the operational requirements for the OET Scenario Generator and MobADS Training System (MTS) Scenario Generator.

The final iteration of the FU Emulator will include a GUI interface to allow a classroom trainer instructor to configure the FU scenario using the HMI. The FU Emulator will also be updated to the extent required to address all the operational requirements for the MobADS Training System (MTS) FU Emulator.

.3.1 BTT IWS

The BTT IWS shall provide the following functions:

- a. Ability to plan and play air track scenarios to be sent to the BTT (simulating multiple sensor tracks from multiple sensors).
- b. Allow Instructor to set Air Defence control Measures (ADCM).
- c. Allow instructor to set Early Warning (EW) and (LW).

.3.2 TPT IWS

ISG and FU Emulator not required for the TPT IWS.

.3.3 HOUS IWS (To be confirmed)

The HOUS IWS shall provide the following functions:

- a. Ability to plan and play air track scenarios to be sent to the BTT (simulating tracks sent from the Sector Control Centre (SCC)).
- b. Allow Instructor to set high level Air Defence Control Measures (ADCM).
- c. Allow instructor to set EW, LW.

SECTION 3: INFORMATION REQUESTED

ACCESS TO CONFIDENTIAL INFORMATION

Potential Respondents cannot be given access to any further technical documents relating to this RFI as referenced herein, unless a valid and up to date Confidential Facility Security Clearance Certificate (FSC) issued by Armscor's Security Division (ASD) is provided. As soon as the FSC is provided, the referenced technical documents as mentioned in Section2, will be shared.

EXPERIENCE IN TCCS

Experience in development of Tactical Command and Control software (TCCS) development contracts for the South African Air Defence Artillery is essential and is a pre-requisite. Proof thereof must be submitted.

STATEMENT OF COMPLIANCE

- a. A Statement of Compliance (SoC) per paragraph of each statement in this RFI shall be provided.
- b. A-STD-0020 2.2.2 applies to this RFI. A Compliance Statement thereto shall be provided. Any deviation shall be motivated via a SoC, supported by sound motivation for consideration by Integrated Systems Solutions.
- c. The Respondent shall comply with prescribed Industrial Participation and Broad-based Black Economic Empowerment (B-BBEE) requirements.
- d. Denel SOC (Ltd) General Conditions of Purchase 2.2.1 is applicable and a compliance statement thereto is required.

SECTION 4: RESPONSE EXPECTATIONS

- a. The Respondent shall supply an Organogram of his/ her company demonstrating in-house capability to do software development. The Organogram and associated wording shall illustrate the number of software development resources and capability.
- b. The Respondent shall supply proof of having executed such software development contracts including traceable references of companies where such work was done and applicable contacts.

REQUEST FOR INFORMATION



ANNEXURE A: SUPPLIER DETAILS

The following particulars must be furnished and where required supplier must provide supporting documentations. **Failure to do so may result in supplier RFI being disqualified.**

COMPANY NAME:	
POSTAL ADDRESS:	
STREET ADDRESS:	
CONTACT PERSON (FULL NAME):	
E-MAIL ADDRESS:	
TELEPHONE NUMBER:	
FAX NUMBER:	
WEBSITE / COMPANY PROFILE: <i>Supplier must submit website address and if no website company profile detailing core business.</i>	Compulsory – submitted with this RFI
TAX CLEARANCE STATUS: <i>Supplier must submit tax reference number and SARS good standing tax pin for verification. Supplier must be tax compliant when submitting RFI proposal.</i>	Compulsory – submitted with this RFI
B-BBEE STATUS: <i>Supplier to submit Affidavit or B-BBEE certificate that is still valid.</i>	Compulsory – submitted with this RFI
REGISTERED WITH THE NATIONAL TREASURY CENTRAL SUPPLIER DATABASE (CSD). <i>Supplier to submit detailed CSD report that includes verified banking details.</i>	Compulsory – submitted with this RFI
HOW LONG IN BUSINESS:	
HOW MANY EMPLOYEES:	
FULL NAME OF AUTHORISED REPRESENTATIVE:	
CAPACITY IN WHICH AUTHORISED REPRESENTATIVE SIGNS:	
SIGNATURE OF AUTHORISED REPRESENTATIVE:	
DATE OF SIGNATURE	
Does supplier have a valid National Conventional Arms Control (NCAC) permit in place?	YES <input type="checkbox"/> NO <input type="checkbox"/>

REQUEST FOR INFORMATION



ANNEXURE B: SUPPLIER REFERENCES

Supplier to provide references (maximum 3) for same or similar work already executed.

Failure to do so may result in your RFI being disqualified.

NAME OF SUPPLIER (1):	
CONTACT PERSON (FULL NAME):	
STREET ADDRESS:	
EMAIL ADDRESS:	
TELEPHONE / CELL NUMBER:	
NAME OF SUPPLIER (2):	
CONTACT PERSON (FULL NAME):	
STREET ADDRESS:	
EMAIL ADDRESS:	
TELEPHONE / CELL NUMBER:	
NAME OF SUPPLIER (3):	
CONTACT PERSON (FULL NAME):	
STREET ADDRESS:	
EMAIL ADDRESS:	
TELEPHONE / CELL NUMBER:	

ANNEXURE C: COMPULSORY AND SUPPLIER SUPPORTING DOCUMENTS

Supplier to submit compulsory documents and list all other supporting documents submitted with this RFI for evaluation.

COMPULSORY DOCUMENTS TO BE SUBMITTED BY SUPPLIER		
Should all of these documents not be included, the RFI may be disqualified on the basis of non-compliance.		
1	Denel Dynamics RFI document completed	<input type="checkbox"/>
2	B-BBEE Affidavit or Certificate that has not expired.	<input type="checkbox"/>
3	SARS Tax document listing supplier's [1] tax reference number and valid [2] Good Standing pin for online verification.	<input type="checkbox"/>
4	Central Supplier Data (CSD) summary report that must show verified banking details.	<input type="checkbox"/>
5	Supplier website or company profile clearly stating core business.	<input type="checkbox"/>
SUPPLIER SUPPORTING INFORMATION / DOCUMENTS		
6	Suppliers Conditions of Sale if in place	<input type="checkbox"/>
7		<input type="checkbox"/>
8		<input type="checkbox"/>
9		<input type="checkbox"/>
10		<input type="checkbox"/>
11		<input type="checkbox"/>
12		<input type="checkbox"/>
13		<input type="checkbox"/>
14		<input type="checkbox"/>

ANNEXURE D: SUPPLIER DECLARATION

1. Does the enterprise/duly authorized representative, and/or any of its employees, management, partners, members, directors, shareholders, trustees and/or beneficiaries have any relationship (family, friend, business or financial interest) with a person(s) in the employ of Denel SOC Ltd and/or in the employ of any entity acting on behalf of Denel SOC Ltd, who may directly or indirectly be involved in or may be in a position to influence the awarding of any future contracts or tender(s)/bid(s)?

Yes No

If 'Yes', state the full particulars of the person(s) with whom the relationship exists, the nature of the relationship and the current position/status of such employee(s) of Denel SOC Ltd and/or the entity acting on behalf of Denel SOC Ltd herein. *(If insufficient space, please attach signed supporting documentation on a company letterhead.)*

2. Can the above relationship potentially give the enterprise or its representative(s) access to information emanating from Denel SOC Ltd business units(s) who may be the custodian of any future contracts or bids?

Yes No

Company Name: _____

Company Address: _____

I, THE UNDERSIGNED (FULL NAME)

_____ CERTIFY THAT THE INFORMATION FURNISHED ON THIS DECLARATION FORM IS COMPLETE, TRUE AND CORRECT.

Managing Director or duly authorized representative

Date

ANNEXURE E: RFI IMPORTANT INFORMATION

E1: STATUS OF REQUEST FOR INFORMATION

This RFI is an invitation for person(s) to submit information for the provision of the services as set out in this RFI. Accordingly, this RFI must not be construed, interpreted, or relied upon, whether expressly or implicitly, as an offer capable of acceptance by any person(s), or as creating any form of contractual, promissory, or other rights. No binding contract or other understanding for the supply of products/services will exist between Denel Dynamics and any Supplier unless and until Denel Dynamics has executed a formal written contract with the successful Supplier.

E2: ACCURACY OF THE RFI

Whilst all due care has been taken in connection with the preparation of this RFI, Denel makes no representations or warranties that the content in this RFI or any information communicated to or provided to Suppliers during the RFI Process is, or will be, accurate, current or complete. Denel Dynamics, and its officers, employees and advisors will not be liable with respect to any information communicated which is not accurate, current or complete.

If a Supplier finds or reasonably believes it has found any discrepancy, ambiguity, error or inconsistency in this RFI or any other information provided by Denel Dynamics (other than minor clerical matters), the Supplier must promptly notify Denel Dynamics in writing of such discrepancy, ambiguity, error or inconsistency in order to afford Denel Dynamics an opportunity to consider what corrective action is necessary (if any).

Any actual discrepancy, ambiguity, error or inconsistency in this RFI or any other information provided by Denel Dynamics will, if possible, be corrected and provided to all Suppliers without attribution to the Supplier who provided the written notice.

E3: ADDITIONS AND AMENDMENTS TO THE RFI

Denel Dynamics reserves the right to change any information in, or to issue any addendum to this RFI before the Closing Date and Time. Denel Dynamics and its officers, employees and advisors will not be liable in connection with either the exercise of, or failure to exercise this right.

If Denel Dynamics exercises its right to change information, it may seek amended RFI from all Suppliers.

E4: CONFIDENTIALITY

All persons (including all Suppliers) obtaining or receiving this and any other information about this RFI must keep the contents of the RFI and other such information confidential, and not disclose or use the information except as required for the purpose of developing feedback in response to this RFI.

E5: UNAUTHORISED COMMUNICATIONS

Communication (including promotional or advertising activities) with staff of Denel Dynamics or their staff assisting with the RFI Process is not permitted during the RFI Process. Nothing in this Clause 11 is intended to prevent communications with staff of, or advisors to, Denel Dynamics to the extent that such communication is not related to this RFI Process.

Suppliers must not otherwise engage in any activities that may be perceived as, or that may have the effect of, influencing the outcomes of the RFI in any way.

E6: IMPROPER ASSISTANCE, FRAUD AND CORRUPTION

Suppliers may not seek or obtain the assistance of employees of Denel Dynamics in the preparation of their RFI responses.

Denel Dynamics may in its absolute discretion, immediately disqualify a Supplier that it believes has sought or obtained such improper assistance.

Suppliers are to be familiar with the implications of contravening the Prevention and Combating of Corrupt Activities Act, 2004 and any other relevant legislation.

Any improper communication, canvassing, or engagement with any Denel Dynamics people/person/representative will result in immediate disqualification from the RFI process.

E7: COMPLAINTS ABOUT THE RFI PROCESS

Any complaint about the RFI or the Information Gathering Process must be submitted to the Tender Office via the RFI Response email address, by email only, immediately upon the cause of the complaint arising or becoming known to the Supplier.

- The written complaint must set out:
- the basis for the complaint, specifying the issues involved;
- how the subject of the complaint affects the organisation or person making the complaint;
- any relevant background information; and
- the outcome desired by the person or organisation making the complaint.

If the matter relates to the conduct of an employee of Denel Dynamics, the complaint should be addressed in writing marked for the attention of the Chief Executive Officer of Denel Dynamics, and delivered to the physical address of Denel Dynamics, as notified.

E8: CONFLICT OF INTEREST

A Supplier must ensure that its officers, employees, agents and advisors do not place themselves in a position that may give rise to actual, potential or perceived conflict of interest between the interests of Denel Dynamics and the Supplier's interests during the RFI Process.

The Supplier is required to provide details of any interests, relationships or clients which may or do give rise to a conflict of interest in relation to the supply of the products/services under any contract that may result from this RFI.

- **Supplier to complete annexure D Supplier Declaration.**

If the Supplier submits its RFI and a subsequent conflict of interest arises, or is likely to arise, which was not disclosed in the RFI, the Supplier must notify Denel Dynamics immediately in writing of that conflict.

Denel Dynamics may immediately disqualify a Supplier from the RFI Process if the Supplier fails to notify Denel Dynamics of the conflict of interest as required.

E9: LATE SUBMISSION OF INFORMATION

Information must be delivered by the Closing Date and Time. The Closing date and time may be extended by Denel Dynamics in its absolute discretion by providing written notice to Suppliers.

Information delivered after the Closing date and Time or lodged at a location or in a manner that is contrary to that specified in this RFI will be disqualified from the Information Gathering Process and will be ineligible for consideration. No Late submissions will be accepted.

The determination by Denel Dynamics as to the actual date and time that the information is submitted is final.

E10: SUPPLIER'S RESPONSIBILITIES

Suppliers are responsible for:

- examining this RFI and any documents referenced or attached to this RFI and any other information made or to be made available by Denel Dynamics to Suppliers in connection with this RFI;
- fully informing themselves in relation to all matters arising from this RFI, including all matters regarding Denel Dynamics requirements for the provision of the Services;
- ensuring that their Submitted information are accurate and complete;
- making their own enquiries and assessing all risks regarding this RFI, and fully considering and incorporating the impact of any known and unknown risks into their submitted information;
- submitting all Compulsory Documents.

E11: ILLEGIBLE CONTENT, ALTERATION AND ERASURES

Denel Dynamics may disregard any content in a RFI response that is illegible and will be under no obligation whatsoever to seek clarification from the Supplier.

Denel Dynamics may permit a Supplier to correct an unintentional error in its RFI response where that error becomes known or apparent after the closing time, but in no event, will any correction be permitted if Denel Dynamics reasonably considers that correction would materially alter the substance of the RFI response or affect the fairness of the RFI process.

E12: OBLIGATION TO NOTIFY ERRORS

If, after a Supplier's Response has been submitted, the Supplier becomes aware of an error in its Response (including an error in pricing, but excluding clerical errors which would have no bearing on the evaluation of the RFI), the Supplier must promptly notify Denel of such error before closing date and time of the RFI.

E13: RESPONSIBILITY FOR RFI COSTS

The Suppliers participation or involvement in any stage of the RFI Process is at the Suppliers sole risk, cost and expense. Denel Dynamics will not be held responsible for, or pay for, any expense or loss that may be incurred by Suppliers in relation to the preparation or lodgement of their RFI information.

Denel Dynamics is not liable to the Supplier for any costs on the basis of any contractual, promissory or restitution grounds whatsoever as a consequence of any matter relating to the Supplier's participation in the RFI Process, including without limitation, instances where:

- the Supplier is not engaged to perform under any contract; or
- Denel Dynamics exercises any right under this RFI or at law.

E14: DISCLOSURE OF RFI CONTENTS AND RFI INFORMATION

All the RFI information received by Denel Dynamics will be treated as confidential. Denel Dynamics will not disclose contents of any RFI and any RFI information, except:

- as required by law;
- for the purpose of investigations by other government authorities having relevant jurisdiction;
- to external consultants and advisors of Denel Dynamics engaged to assist with the RFI Process; or for the general information of Suppliers required to be disclosed as per National Treasury Regulations, Guidelines, Instruction Notes or Practice Notes.

E15: USE OF RFI INFORMATION

Upon submission in accordance with the requirements relating to the submission of RFIs, all RFI information submitted become the property of Denel. Suppliers will retain all ownership rights in any intellectual property contained in the RFI information.

Each Supplier, by submission of their RFI information, is deemed to have licensed Denel to reproduce the whole, or any portion, of their RFI information for the sole purposes of enabling Denel to evaluate the RFI feedback.

E16: RFI INFORMATION ACCEPTANCE

All RFI information received must remain open for acceptance for a minimum period of 30 (thirty) days from the Closing Time. This period may be extended by written mutual agreement between Denel Dynamics and the Supplier.

E17: CLARIFICATION OF RFI INFORMATION

Denel Dynamics may seek clarification from and enter into discussions with any or all of the Suppliers in relation to their RFI information.

Denel Dynamics may use the information obtained when clarification is sought or discussions are held in interpreting the RFI information and evaluating the cost and risk of accepting the RFI information.

Failure to supply clarification to the satisfaction of Denel Dynamics may render the RFI information liable to disqualification.

Denel Dynamics is under no obligation to seek clarification of anything in a RFI information and reserves the right to disregard any clarification that Denel Dynamics considers to be unsolicited or otherwise impermissible or irrelevant in accordance with the rules set out in this RFI.

E18: DISCUSSION WITH SUPPLIERS

Denel Dynamics is under no obligation to discuss the outcome of the RFI process with any of the Suppliers.