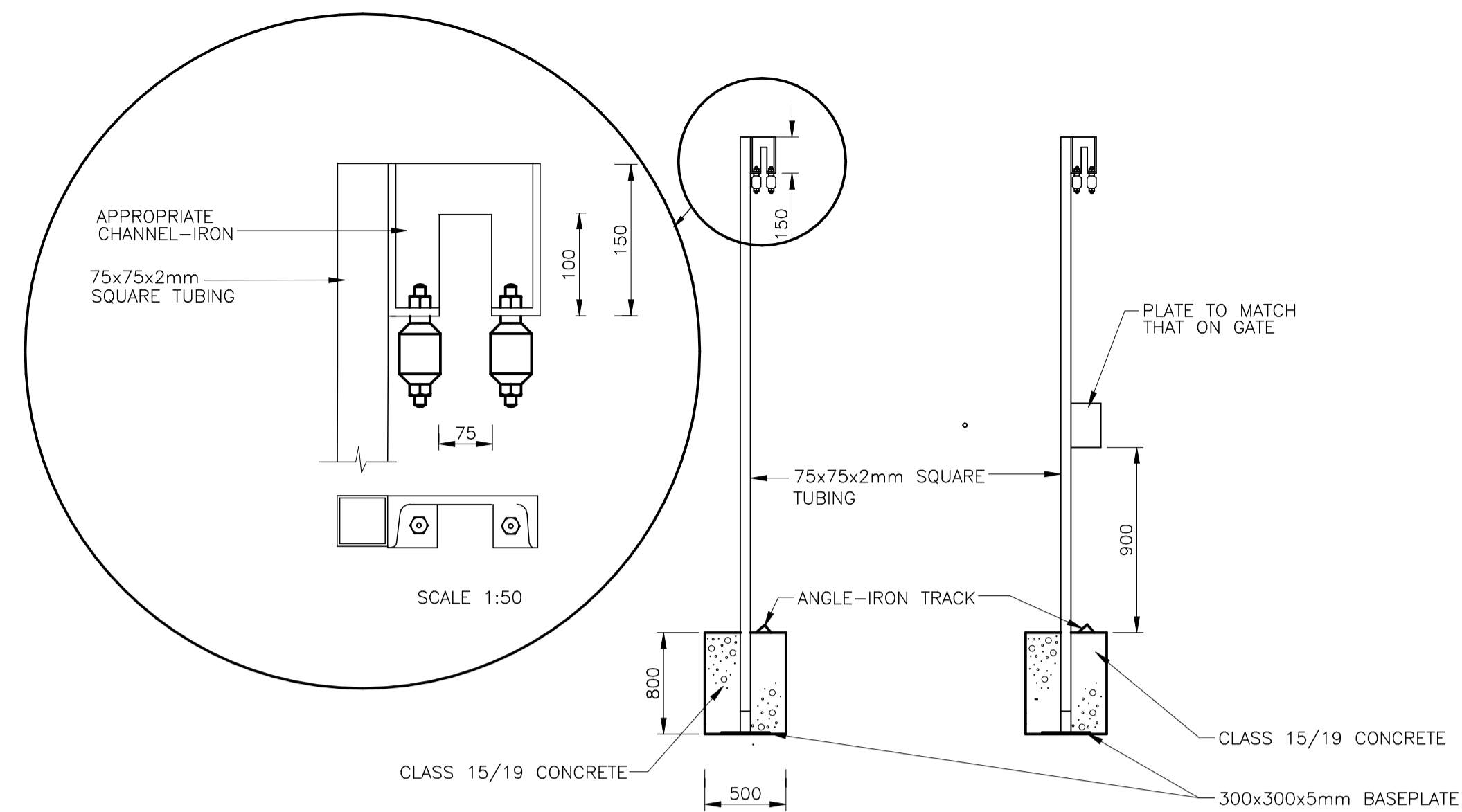
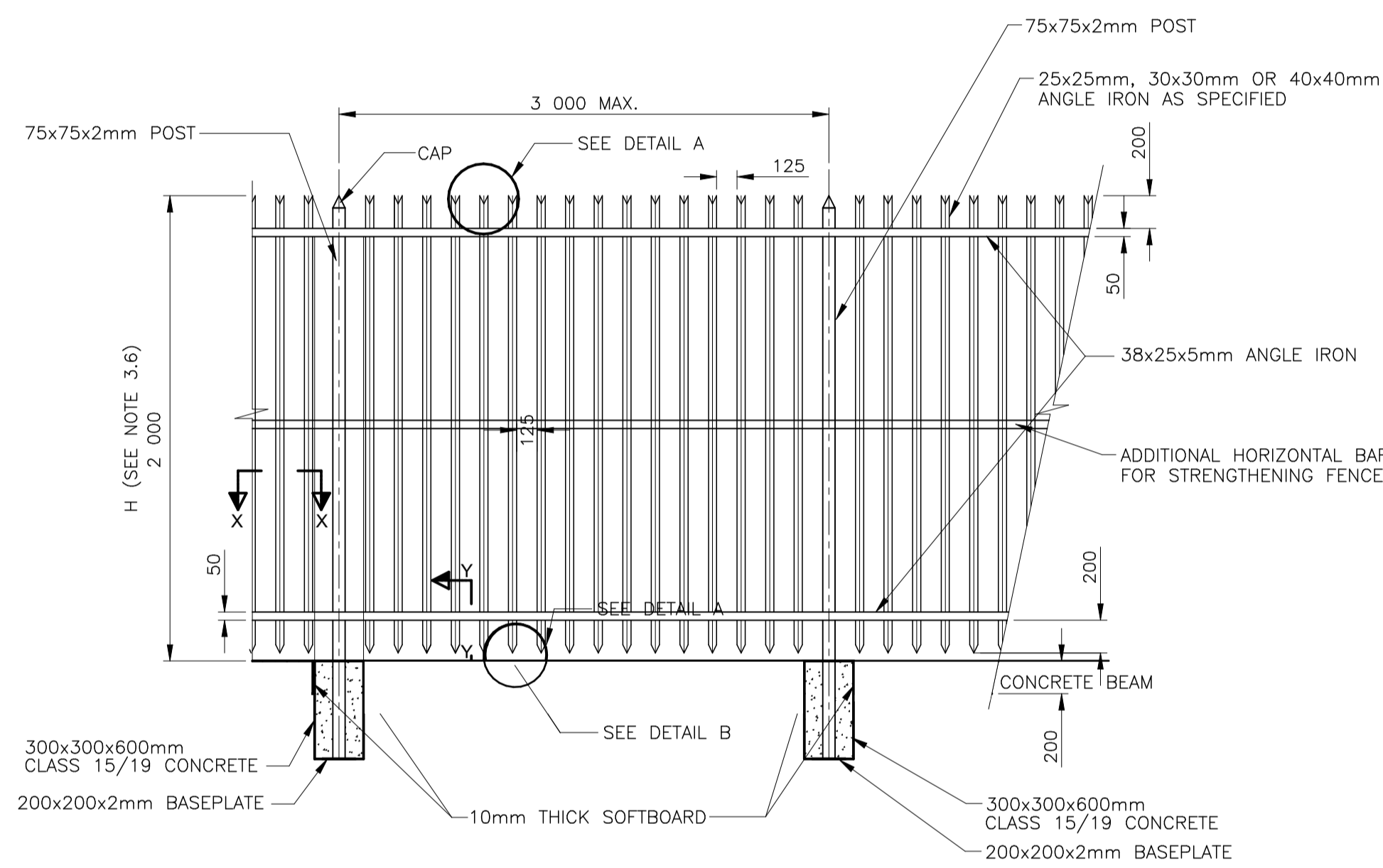


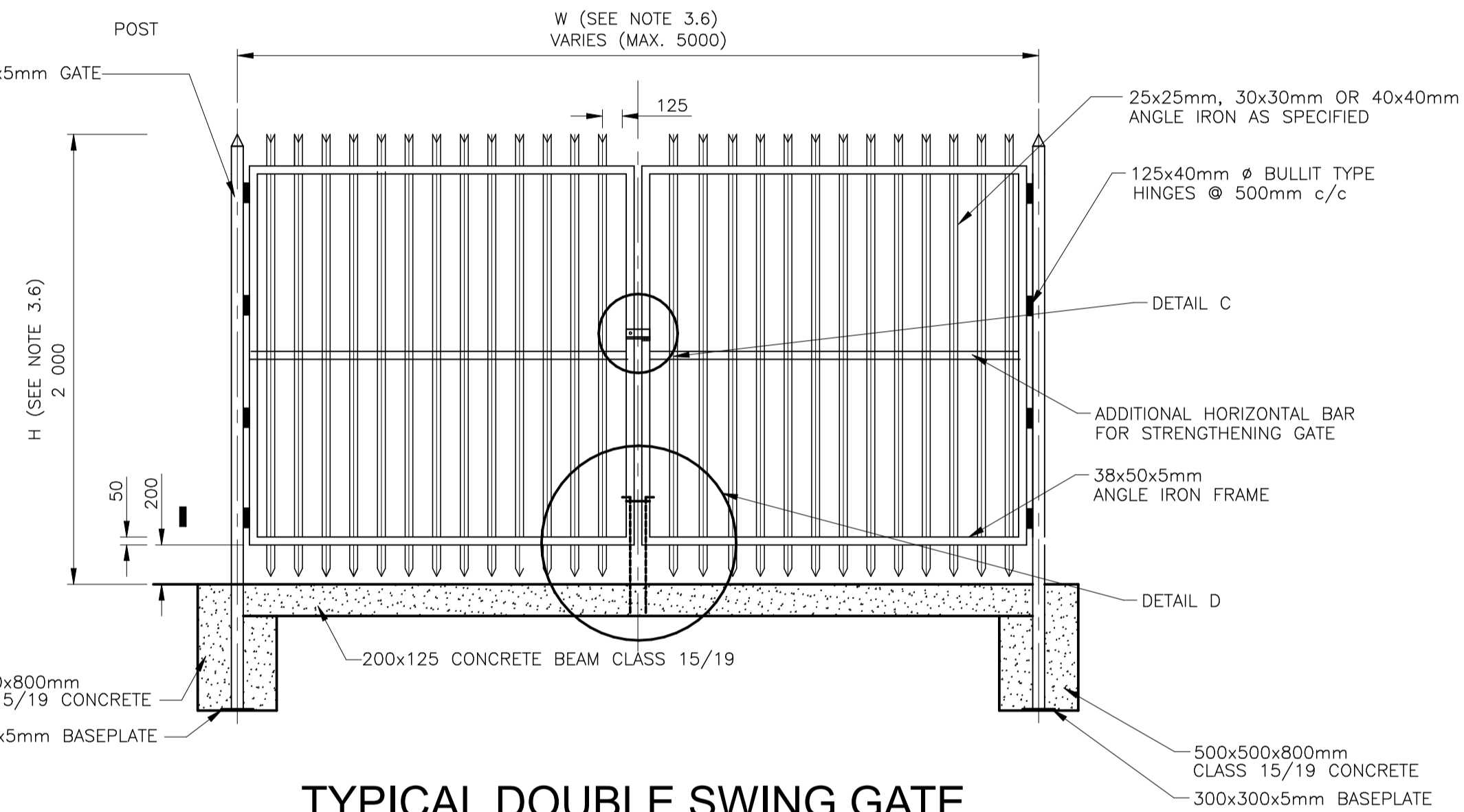
SLIDING GATE DETAIL



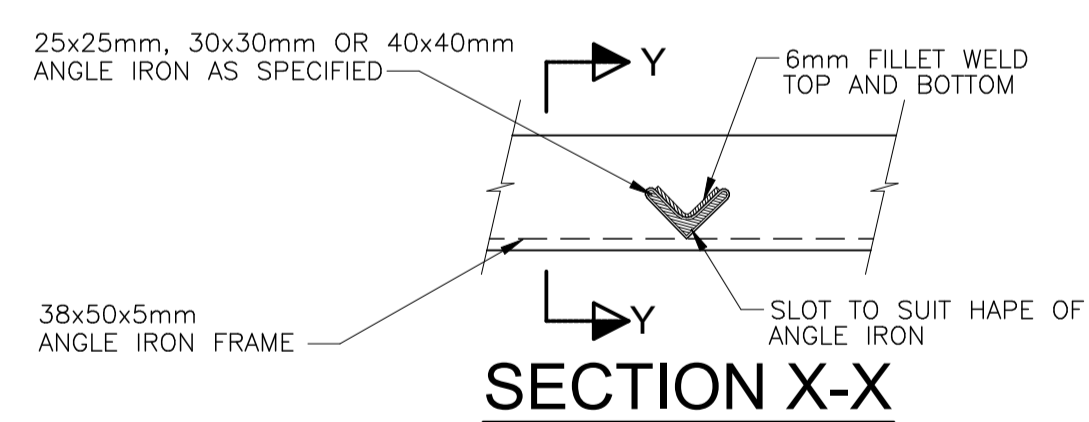
GATEPOSTS FOR SLIDING GATE DETAIL



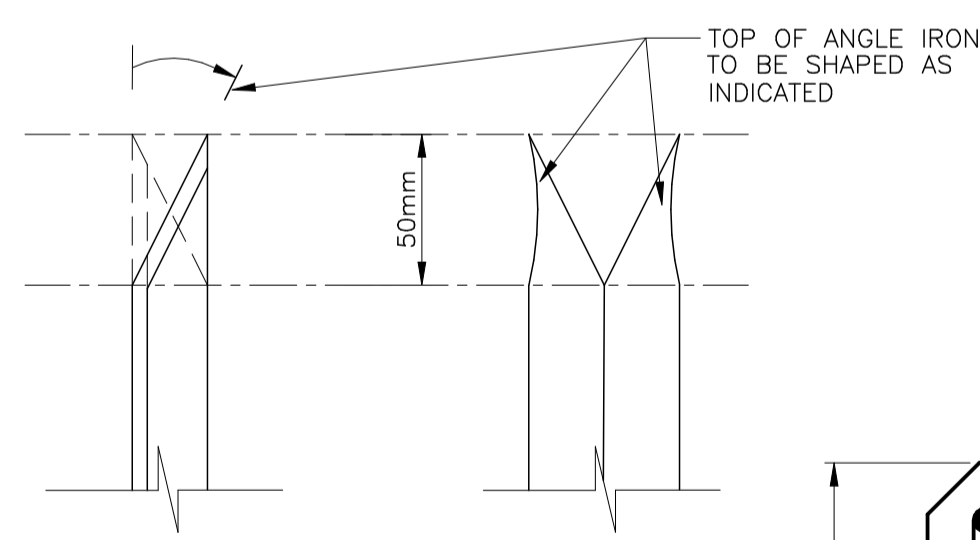
FRONT ELEVATION



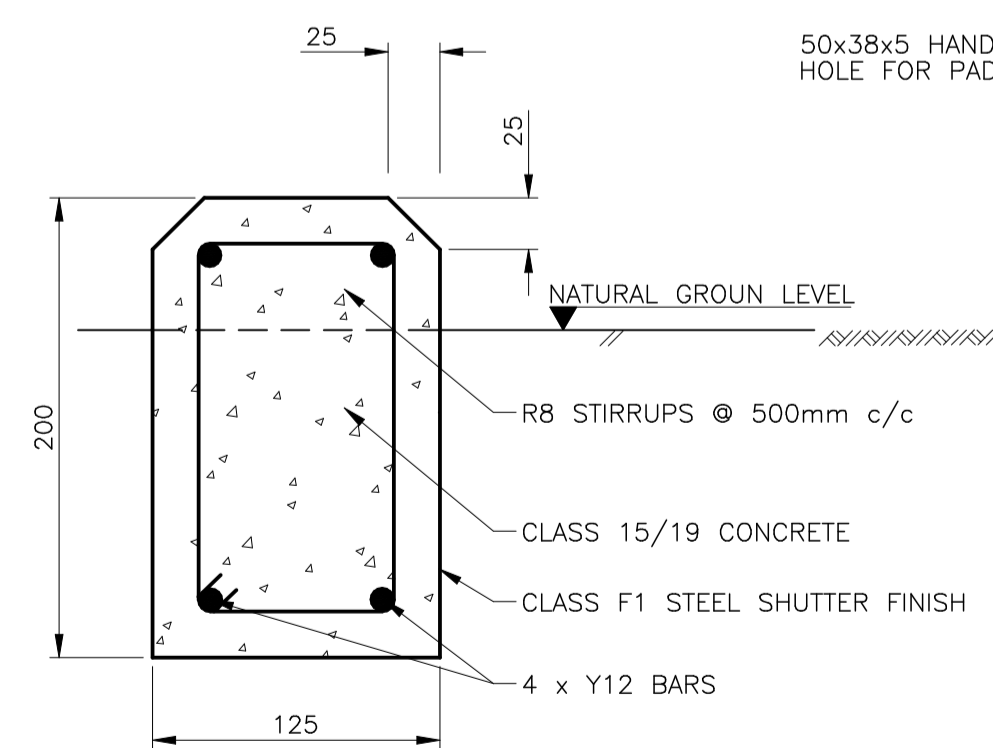
TYPICAL DOUBLE SWING GATE



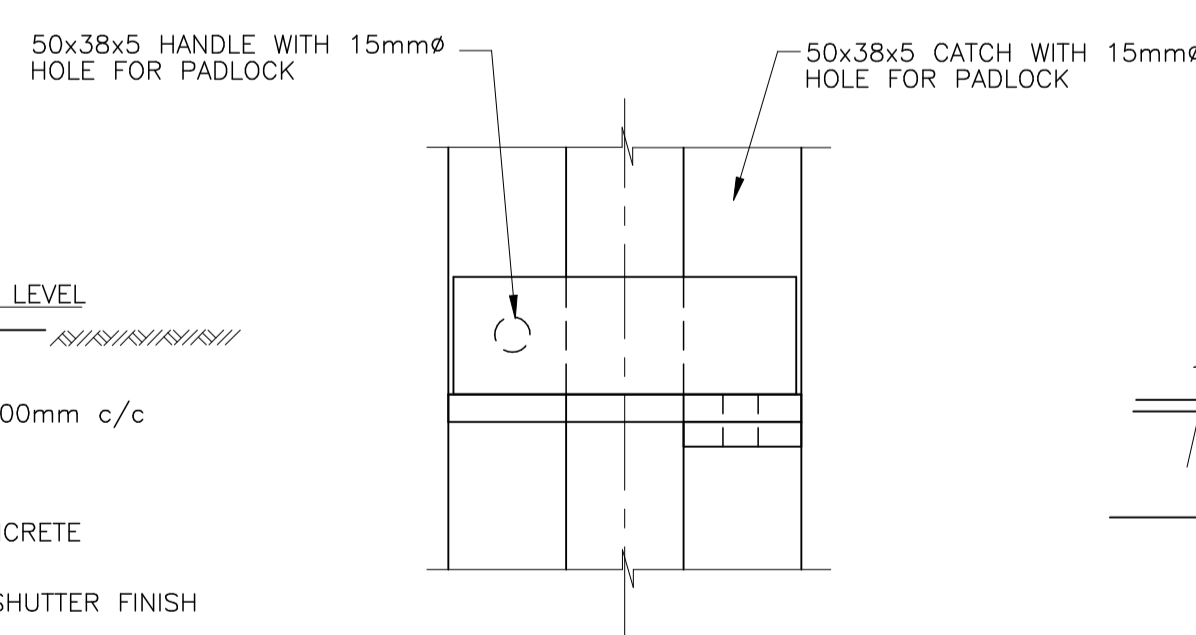
SECTION X-X



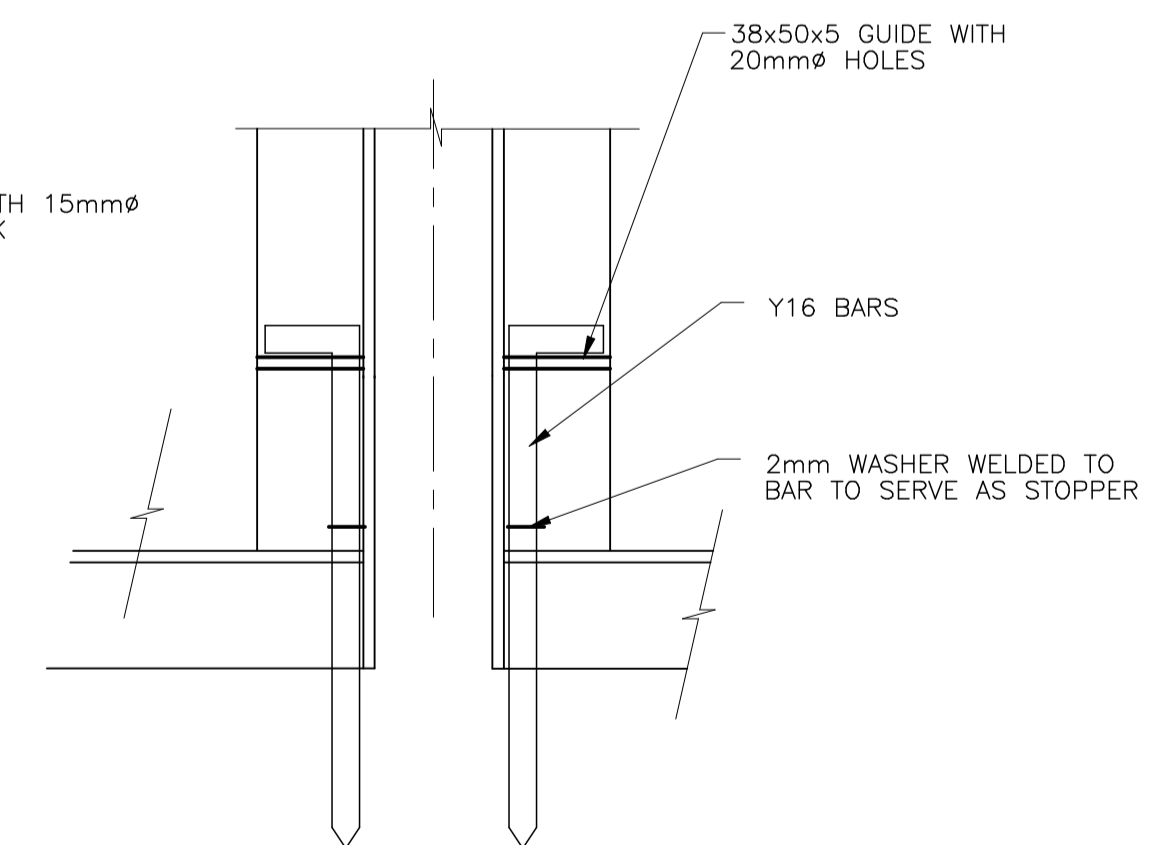
DETAIL A



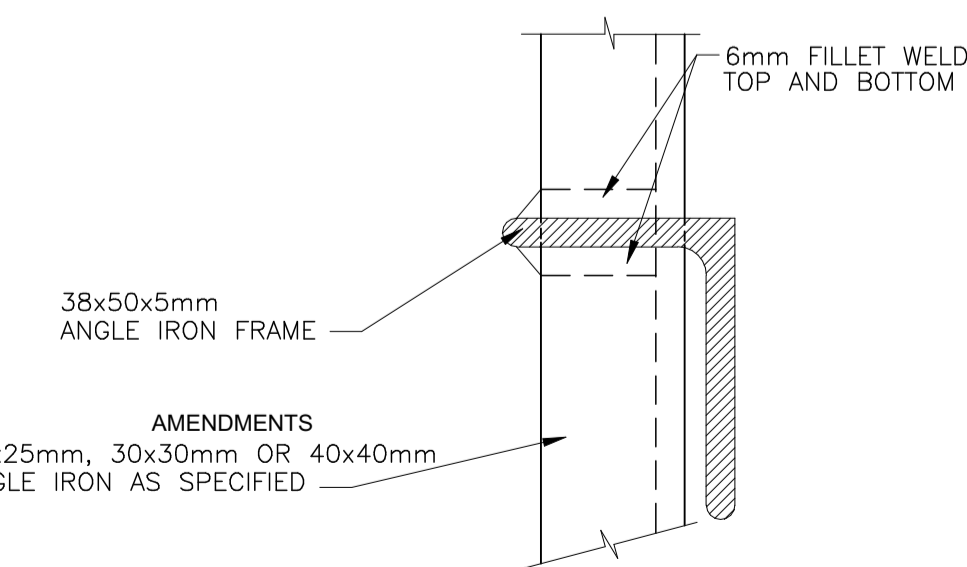
TYPICAL SECTION THROUGH CONCRETE BEAM



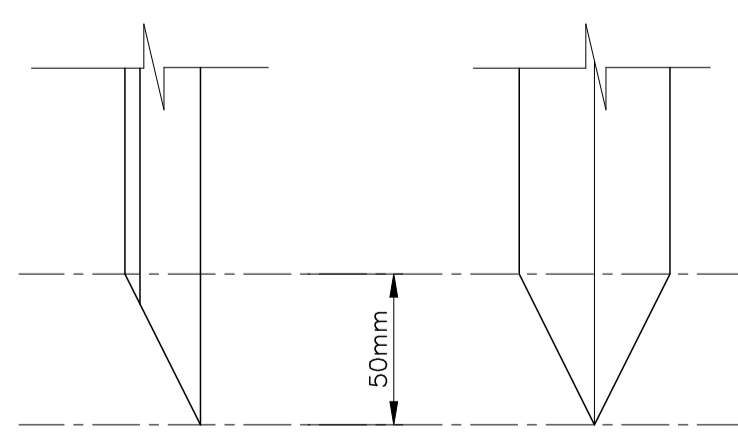
DETAIL C (FRONT ELEVATION)



DETAIL D (BACK ELEVATION)



SECTION Y-Y



DETAIL B

FOR TENDER

THIS DRAWING IS TO BE READ IN CONJUNCTION WITH ALL RELEVANT ARCHITECT'S AND ENGINEER'S DRAWING. ALL DIMENSIONS, LEVELS, ETC ARE TO BE CHECKED BEFORE ANY WORK IS COMMENCED AND ANY DISCREPANCIES NOTED TO BE BROUGHT TO THE ARCHITECT'S ATTENTION. ONLY FIGURED DIMENSIONS TO BE USED. SCALING OF DRAWINGS IS NOT ADVISABLE. ALL RIGHTS RESERVED. NO PART OF THIS DESIGN SHALL BE REPRODUCED, USED ELSEWHERE AND/OR IN ANY WAY WITHOUT PRIOR PERMISSION FROM THE ARCHITECT/ENGINEER.

GEOTECH INFORMATION

SOIL TYPE:
ASSUMED SOIL BEARING CAPACITY:
RECOMMENDED FOUNDATION TYPE:
RECOMMENDED FOUNDATION DEPTH:

REVISION INFORMATION

REV. NO	DATE	DESCRIPTION

THE MVULA TRUST APPROVAL

Name:.....
Signature:..... Date:.....

LIMPOPO DEPT EDUCATION APPROVAL

Name:.....
Signature:..... Date:.....

PRINCIPAL AGENT APPROVAL

Name:.....
Signature:..... Date:.....

ARCHITECTURE

BUILDING CLASSIFICATION
C3 : PLACE OF INSTRUCTION (SCHOOL)

CLIENT:

Physical: Cor 113 Biscard & 24 Excelior Street Potokwane, 0700
Tel: 015 290 9301 / 7800
Postal: Private Bag X9489, Potokwane, 0700

PRINCIPAL AGENT : SIST CONSORTIUM

PHYSICAL: Farm Pal 081 Porton 45 Potokwane, 0699
TEL: 031 965 1099
EMAIL: Tatu@sistengineers.co.za

NAME OF COMPETENT PERSON:.....
CONT NO:.....
FIRM REG NO:.....

IMPLEMENTING AGENT:

718 James Crescent, Half House, Midrand, 1685, South Africa
Send Us Mail info@themvulatrust.org.za
A leading developmental NGO Call Us +27 11 403 3425

PROJECT NAME
PROPOSED PERMANENT SANITATION FACILITIES FOR MUKULA SECONDARY SCHOOL EMIS 930351302

DRAWING DESCRIPTION
GENERAL
PALISADE FENCE DETAIL

PROJECT STATUS

STAGE 1-3	STAGE 4	STAGE 5-6
CONCEPT	TENDER	CONSTRUCTION

DESCRIPTION: WATER AND SANITATION PROGRAMME SCALE: AS SHOWN

DRAWN:	CHECKED:
NAME OF COMPETENT PERSON: MPENDULO SHANGASE	NAME OF COMPETENT PERSON: SIYABONGA MANYONI
REG NO: PrArchST 24751103	REG NO: PrArch 49324416
SIGNATURE:	SIGNATURE:

PROJECT NUMBER: ADD17-BATCH06/TMT/LDOE/21/16 CLUSTER 01	DATE: 02-11-2022
OCCUPANCY CLASSIFICATION: C3	DWG NO: MUKHS-ARCH-600 REV NO: 1