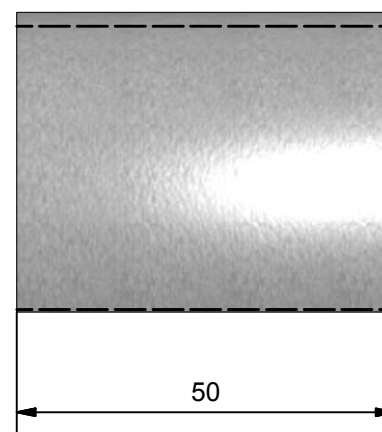
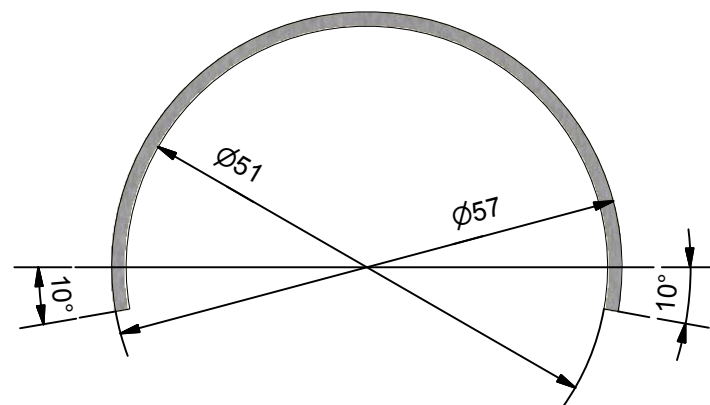


# PLAIN BANGLE

## 51mm ID



ESKOM DWG REF:

N/A

**THIS DRAWING IS NOT TO BE USED FOR MANUFACTURING**

ELEMENT#  
N/A

TUBE#  
N/A

LATEST REV:  
A

THIS DRAWING IS THE PROPERTY OF ESKOM. IT MAY ONLY BE ALTERED BY THE CARAB TEKNIVA GROUP. CONTROLLED REVISIONS ARE ADMINISTERED BY CARAB TEKNIVA GROUP.

A3

DRAWN BY: MB PRETORIUS

28/08/2013

TITLE:  
51mm SHIELD BANGLE

CHECKED BY: CPJ ROOS

28/07/2014

TUTUKA POWER STATION

APPROVED BY: JO MEKGWE

SCALE:  
NTS

CARAB DWG NO:  
TUT-PP-GEN-111



CARAB TEKNIVA GROUP

MAT FLOW	STOCK NO	MATERIAL	O/D	WT	MIN'T	DESCRIPTION
N/A	N/A	310 STAINLESS STEEL	57	3	N/A	SHIELD BANGLE