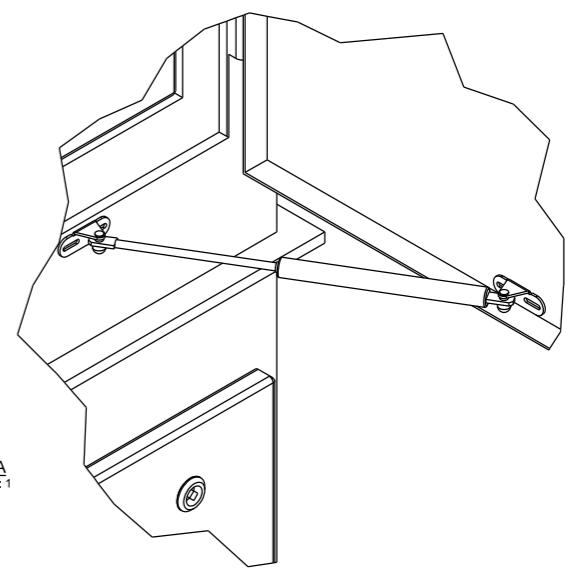
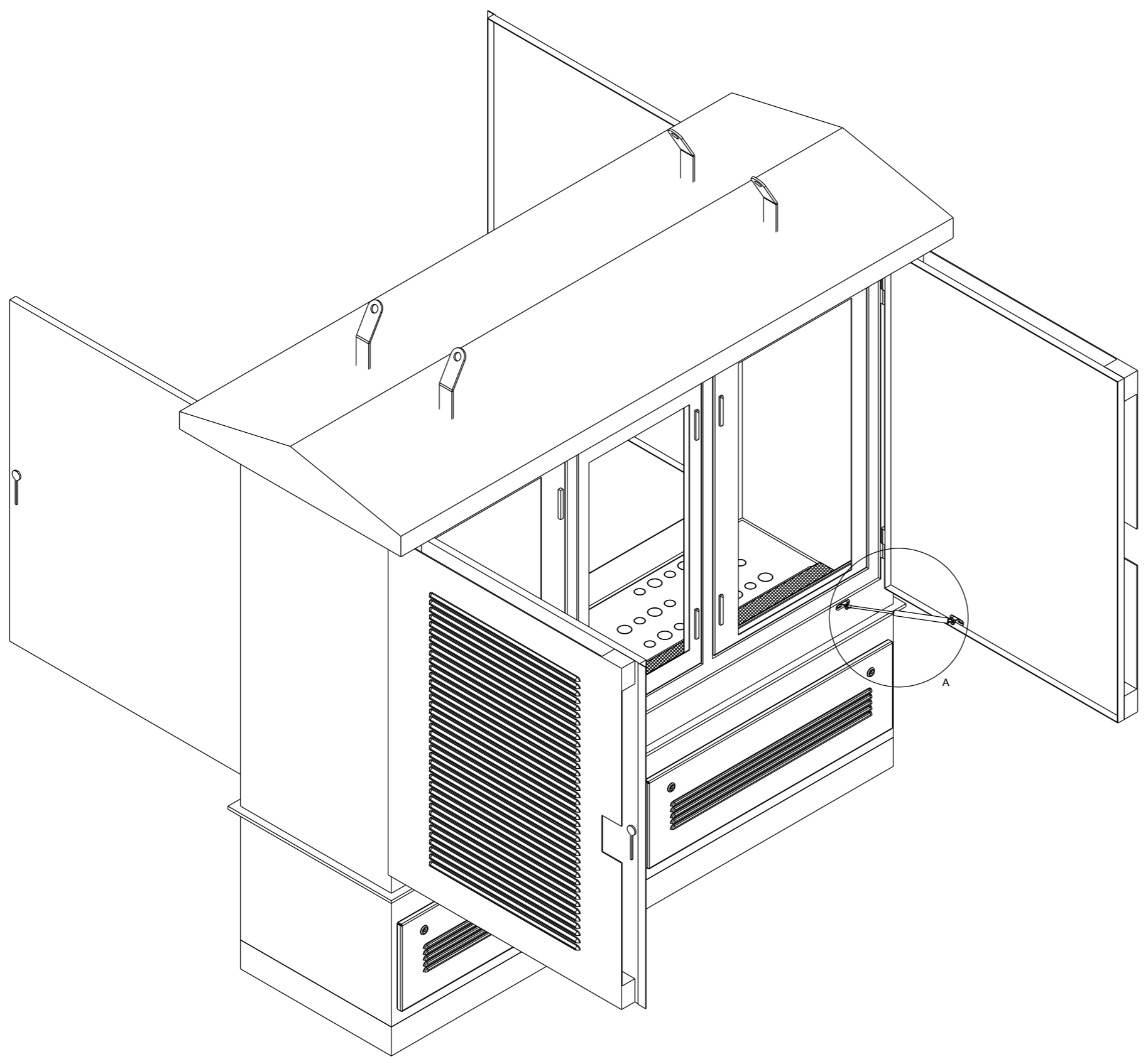


1 2 3 4 5 6 7 8 9 10 11 12 13 14 15 16

A
B
C
D
E
F
G
H
J
K
L
M

A
B
C
D
E
F
G
H
J
K
L
M



DETAILA
SCALE 0,40:1

REV	DESCRIPTION	BY	CHKD	APP	DATE
1	NEW SHEETS ADDED	M.M	V.KP		FEB 2021
	REVISION TO MASTER				

SIVTEK / VITHALE

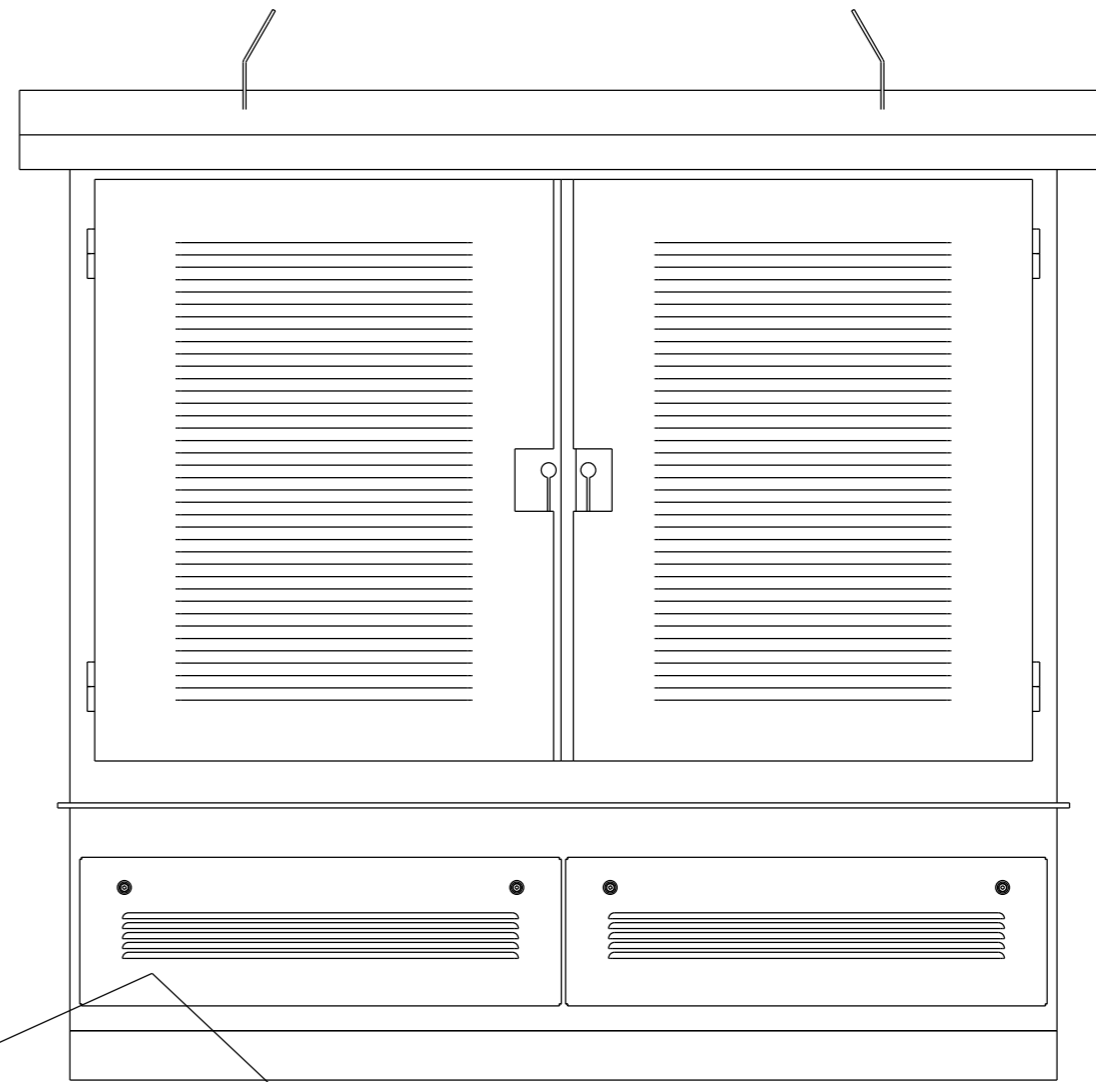
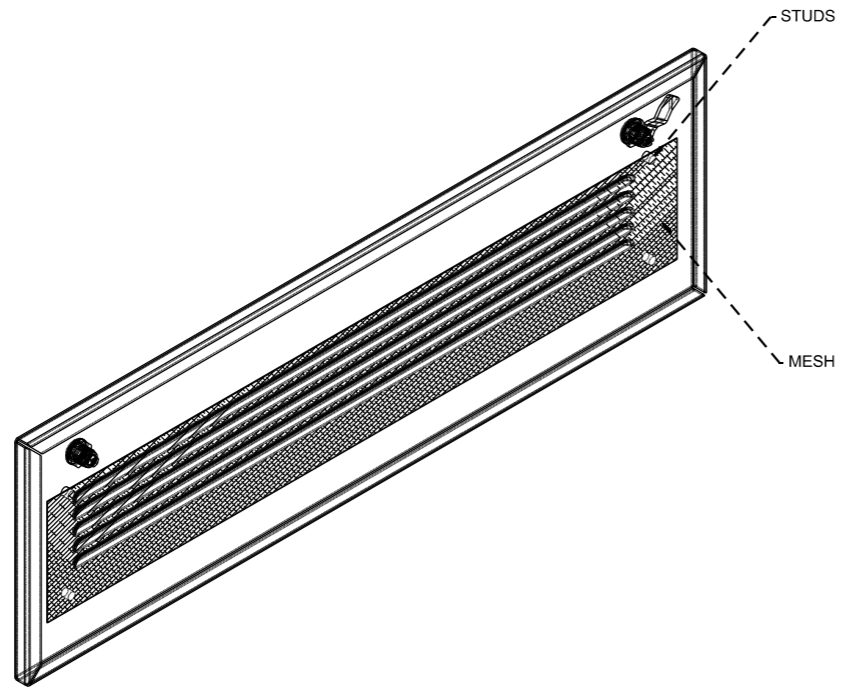
REV	REVISION DESCRIPTION	BY	CHKD	APP	DATE	
	PROJECT APPROVED BY: DESIGN ACCEPTED BY: S.J. VAN ZYL					
	DATE: 30/10/2017			Eskom Holdings SOC Ltd Reg No 2002/015527/30		
	PROJECT CHECKED BY: DESIGN APPROVED BY:					
	DATE:					
	PROJECT DRAWN BY: DESIGN CHECKED BY:					
	DATE:					
	SCALE: 1:10					
	DATE: 30/10/2017					
© JB ARRANGEMENT					SHEET NUMBER	REVISION
					1	0

LEVELS 1 2

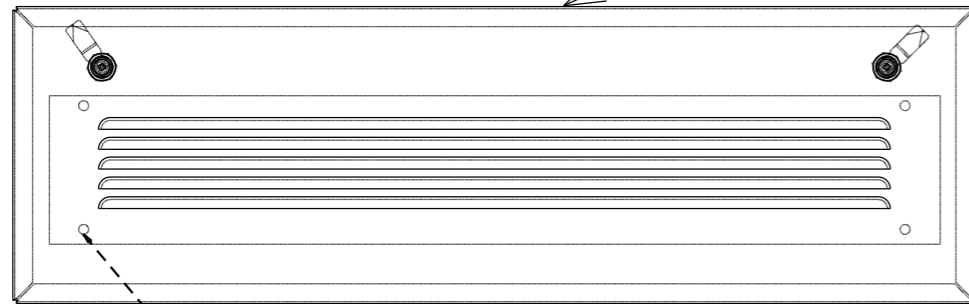
PANEL TYPE DESIGNATION LARGE JB

SIZE GROOTTE A11

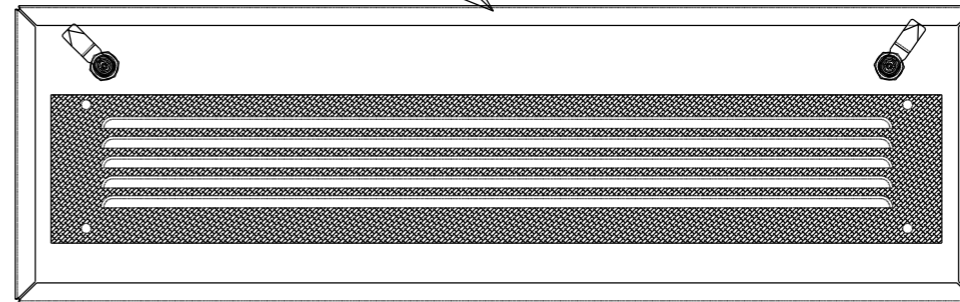
REVISION 0
SHEET 1 OF 6
MASTER FILED UNDER 0.52/30549



FRONT VIEW
SCALE 1:6



FRONT VIEW
SCALE 1:3



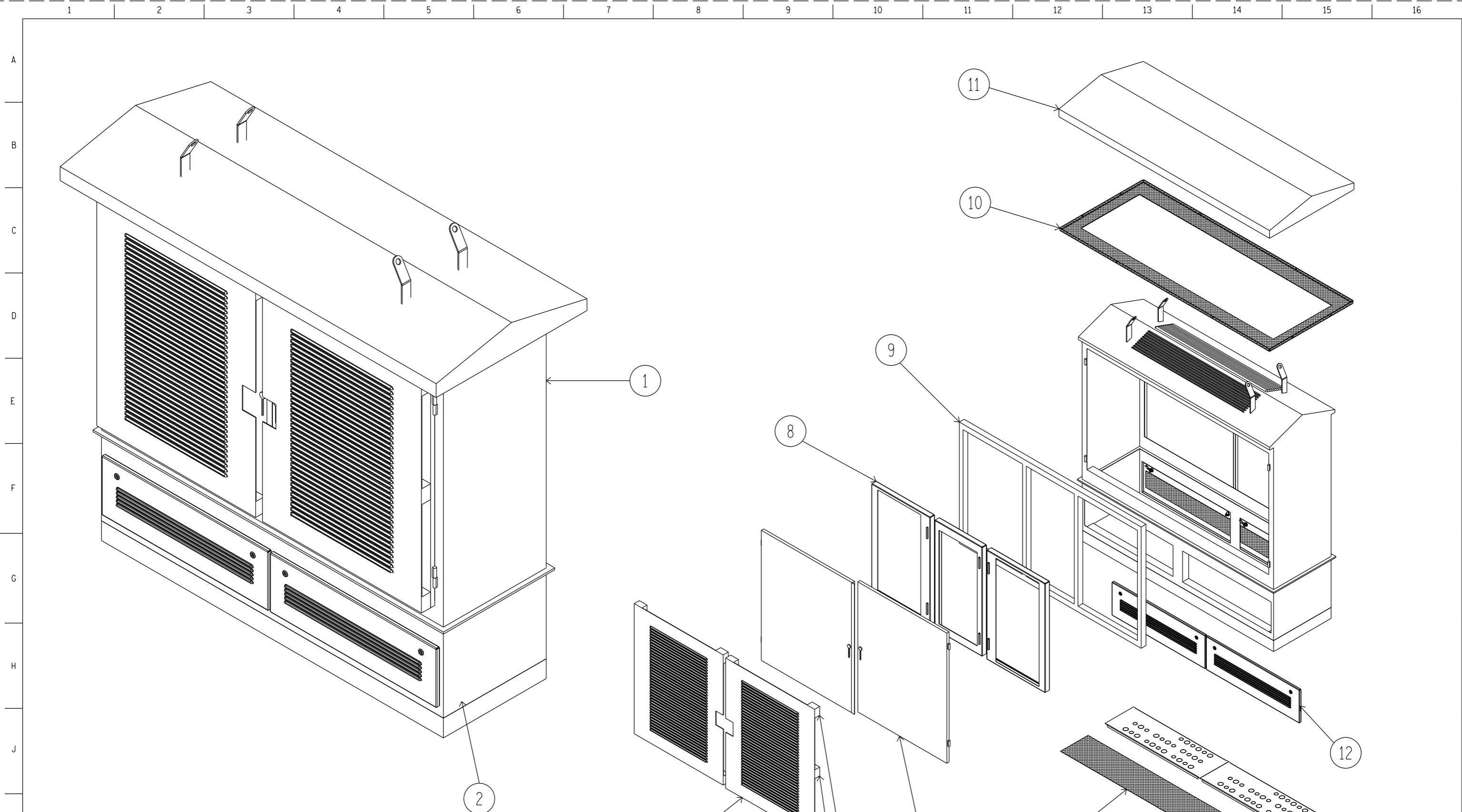
REAR VIEW
SCALE 1:3

REV	DESCRIPTION	BY	CHKD	APP	DATE
1	NEW SHEETS ADDED	M.M	V.KP		FEB 2021
	REVISION TO MASTER				

SIVTEK / VITHALE

REV	REVISION DESCRIPTION	BY	CHKD	APP	DATE	
	PROJECT APPROVED BY	DESIGN ACCEPTED BY		DATE		
	DATE	DATE		DATE		
	PROJECT CHECKED BY	DESIGN APPROVED BY		DATE		
	DATE	DATE		DATE		
	PROJECT DRAWN BY	DESIGN CHECKED BY		DATE		
	DATE	DATE		DATE		
	SCALE	DESIGN DRAWN BY		DATE		
	1:10	M. MURALI		DATE 30/10/2017		
					SHEET NUMBER	REVISION
					2	0

FRONT VIEW



BILL OF MATERIAL

ITEM	QTY	DESCRIPTION
1	1	JUNCTION BOX - MAIN COMPARTMENT
2	1	JUNCTION BOX - CABLE COMPARTMENT
3	1	JUNCTION BOX - GLAND PLATE MESH
4	1	JUNCTION BOX - GLAND PLATE
5	2	JUNCTION BOX - OUTER DOOR WITH LOUVRES
6	2	STAND OFF
7	2	OUTER DOORS
8	2	JUNCTION BOX - INNER DOORS
9	1	JUNCTION BOX - INNER DOOR FRAME
10	1	JUNCTION BOX - TOP ROOF VERMIN PROOF MESH
11	1	JUNCTION BOX - TOP ROOF
12	2	JUNCTION BOX - CABLE COMPARTMENT DOORS WITH LOUVRES

REV	DESCRIPTION	BY	CHKD	APP	DATE
1	NEW SHEETS ADDED	MJB	VFP		FEB 2021
	REVISION TO MASTER				

SIVTEK / VITHALE

REV	REVISION DESCRIPTION	BY	CHKD	APP	DATE
	PROJECT APPROVED BY: DESIGN ACCEPTED BY: S J VAN ZYL				
	DATE: 30/10/2017				
	PROJECT CHECKED BY: DESIGN APPROVED BY:				
	DATE: DATE:				
	PROJECT DRAWN BY: DESIGN CHECKED BY:				
	DATE: DATE:				
	SCALE: 1:10				
	DESIGN DRAWN BY: M MURALI				
	DATE: 30/10/2017				

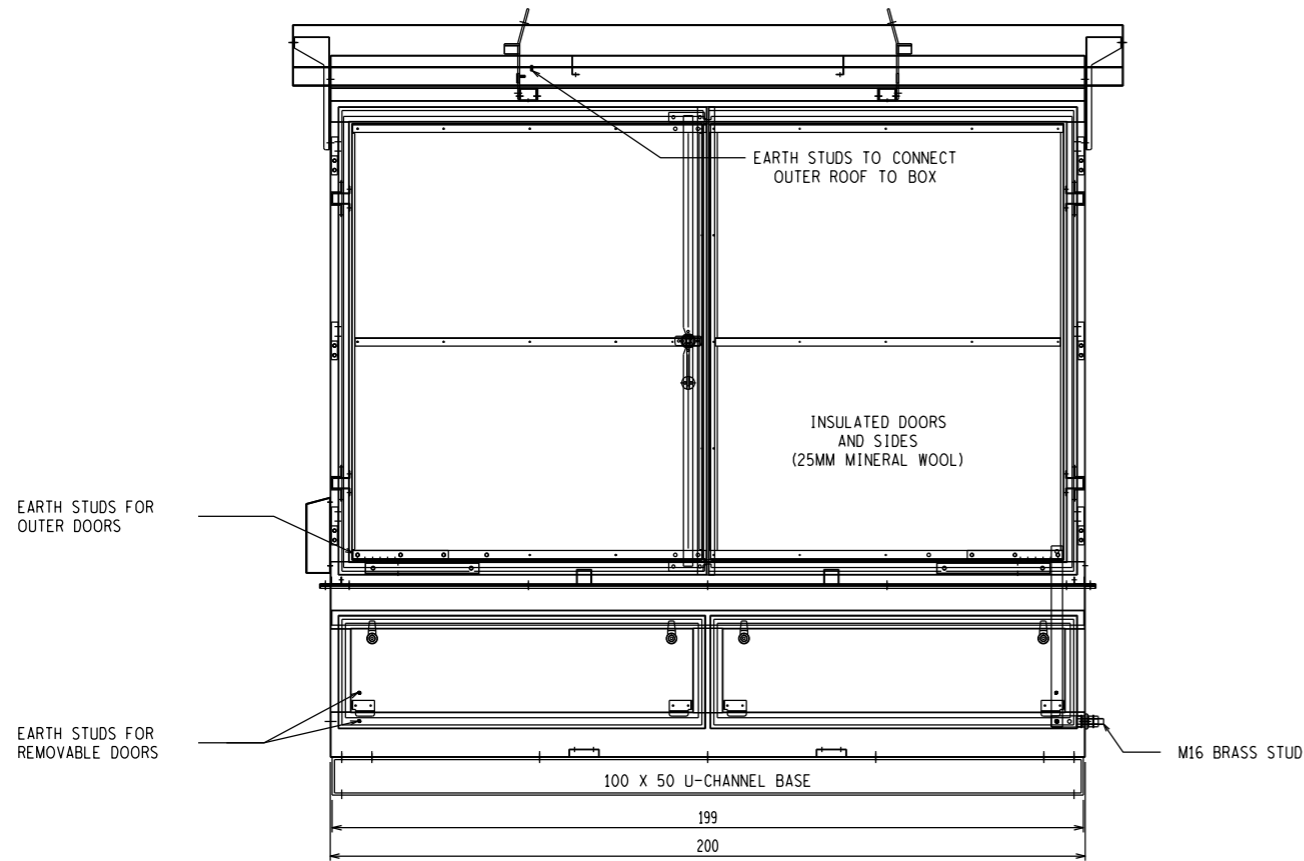
Eskom Holdings SOC Ltd
Reg No 2002/015527/30

© DETAILED VIEW

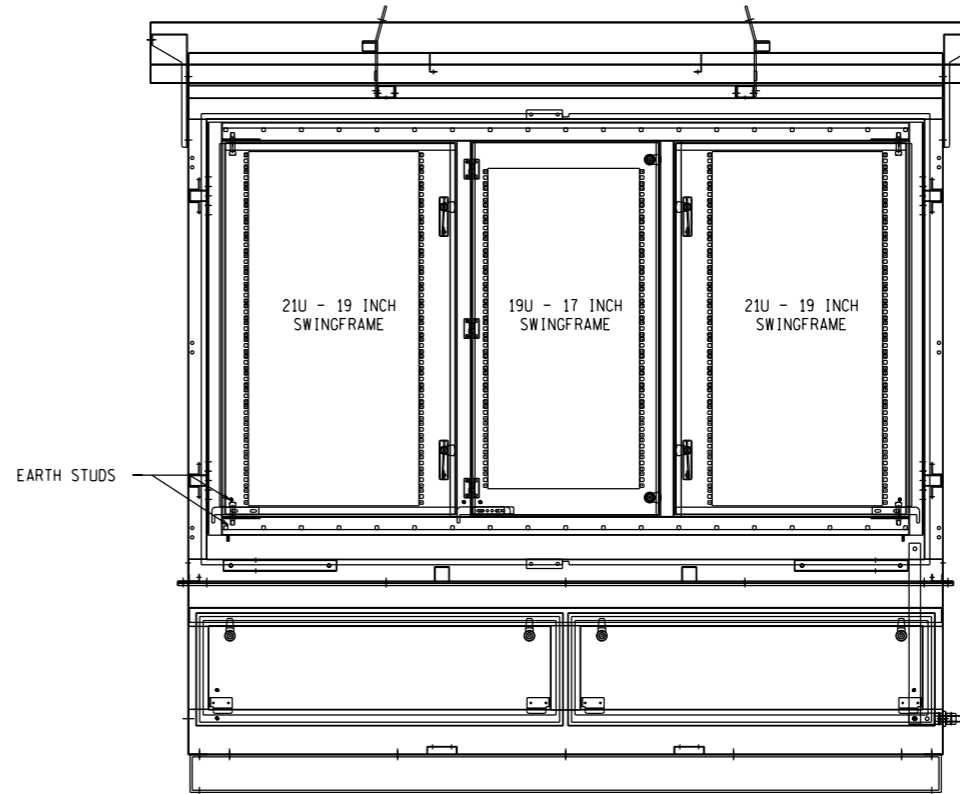
SHEET NUMBER	REVISION
3	0

SHEET 3 OF 6 REVISION 0 MASTER FILED UNDER 0.52/30549

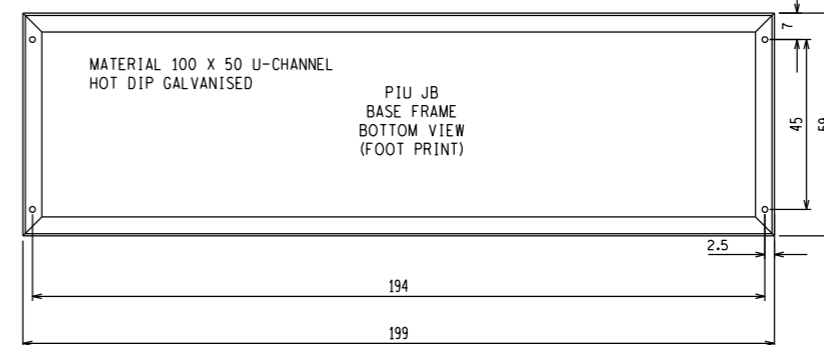
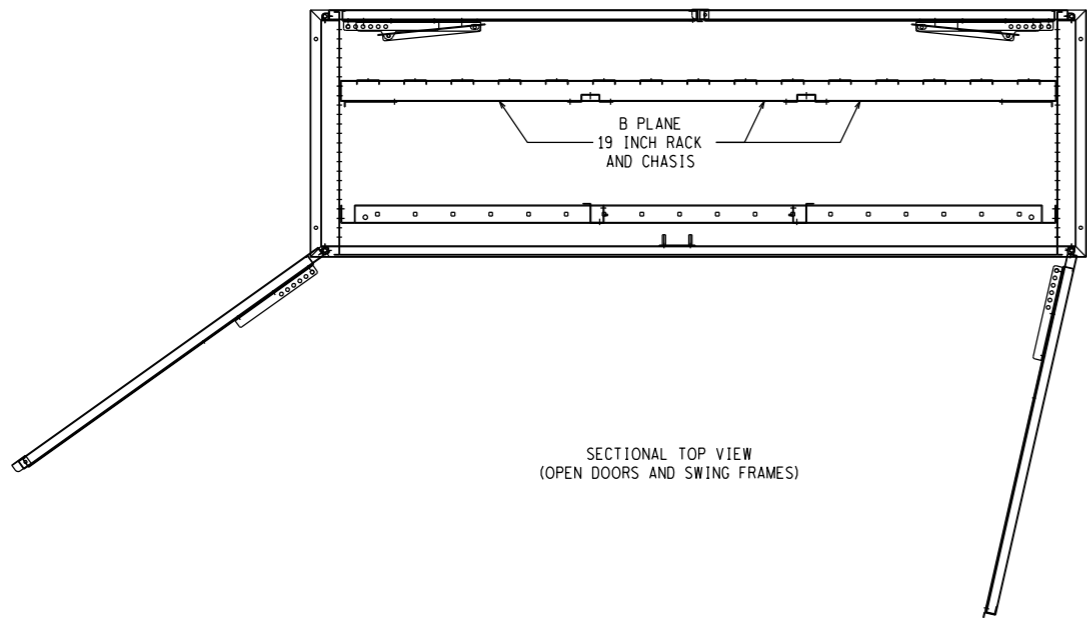
FRONT VIEW



FRONT VIEW OUTER DOORS REMOVED
21U SWINGFRAME



SECTIONAL TOP VIEW
(OPEN DOORS AND SWING FRAMES)

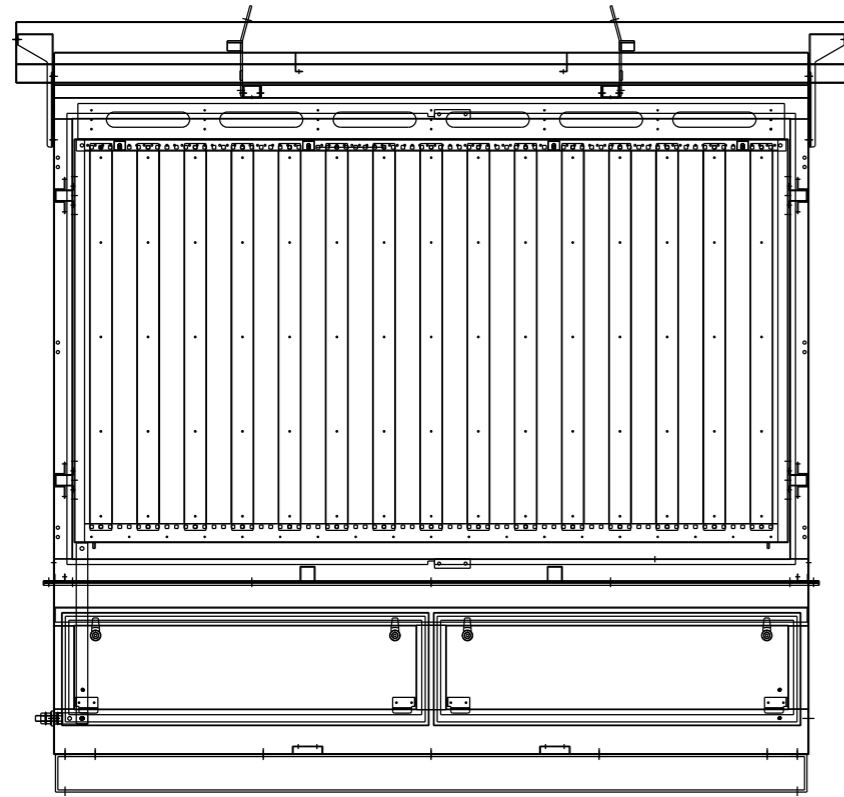


1. LEFT HAND SIDE DOORS TO FEATURE EXTERNAL BRACKETS FOR MOUNTING OF AN ENAMEL LABEL (APPROX 500 X 300MM).

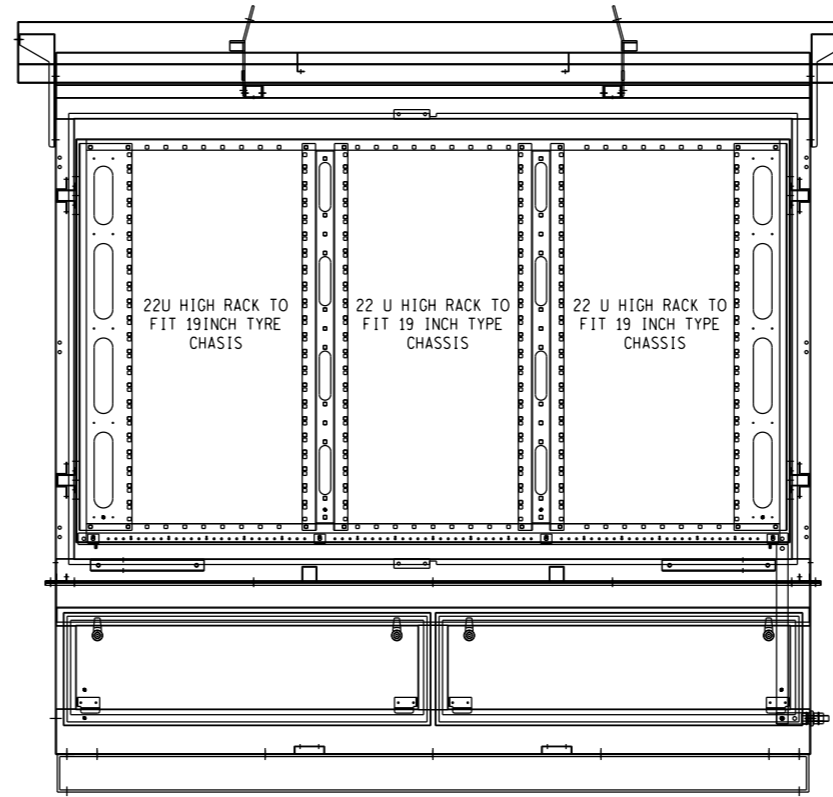
REV	REVISION DESCRIPTION	BY	CHKD	APP	DATE
1	NEW SHEETS ADDED	M.W	V.K.P		FEB 2021
	REVISION TO MASTER	BY	CHKD	APP	DATE

PROJECT APPROVED BY	DESIGN ACCEPTED BY		Eskom Holdings SOC Ltd Reg No 2002/015527/30
DATE	DATE		
PROJECT CHECKED BY	DESIGN APPROVED BY	GENERAL ARRANGEMENTS	
DATE	DATE		
PROJECT DRAWN BY	DESIGN CHECKED BY		
DATE	DATE	SCALE	DESIGN DRAWN BY
		1:10	M. MURALI
			DATE
			30/10/2017
			SHEET NUMBER
			4
			REVISION
			0

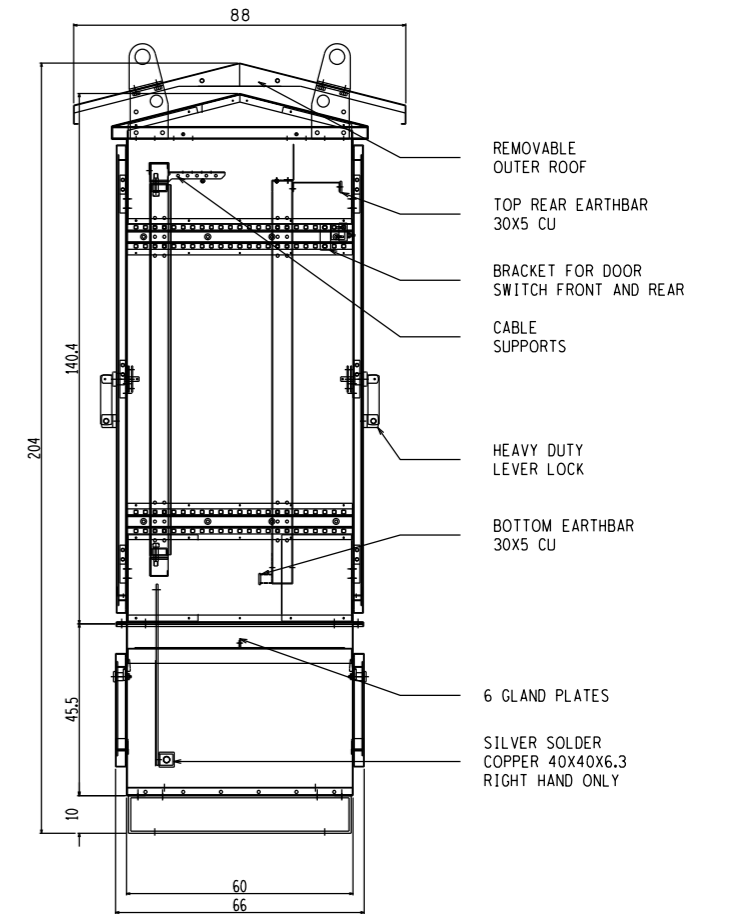
REAR VIEW OUTER DOORS REMOVED



FRONT VIEW OUTER DOORS AND SWING FRAMES REMOVED



RIGHT HAND SIDE VIEW



EARTHING DETAILS: -

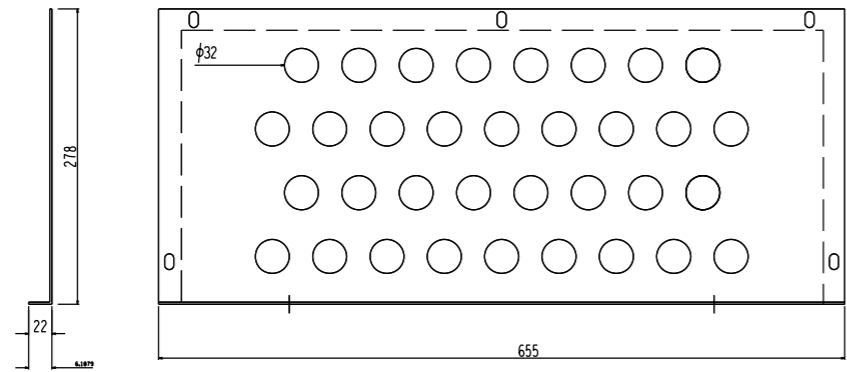
1. JUNCTION BOX TO INCLUDE HORIZONTAL 30 X 5MM CU EARTHING BARS ACROSS THE FULL LENGTH, BOTTOM FRONT OF THE 19 INCH RACK ASSEMBLY AND AT THE TOP OF THE REAR TERMINAL STRIPS.
2. EARTHING BARS ARE TO BE TAPPED AT 20MM INTERVALS AND FITTED WITH M6 STAINLESS STEEL BOLTS, FITTED WITH A WASHER AND A LOCK WASHER.
3. TOP AND BOTTOM EARTHING BARS TO BE CONNECTED USING 2 X 16SQMM STRANDED CU CONDUCTOR.
4. BOTTOM BAR TO BE CONNECTED TO CHASSIS EARTHING STUD VIA 30 X 5MM CU BAR.

REV	REVISION DESCRIPTION	BY	CHKD	APP	DATE
1	NEW SHEETS ADDED	M.W	V.K.P		FEB 2021
	REVISION TO MASTER	BY	CHKD	APP	DATE

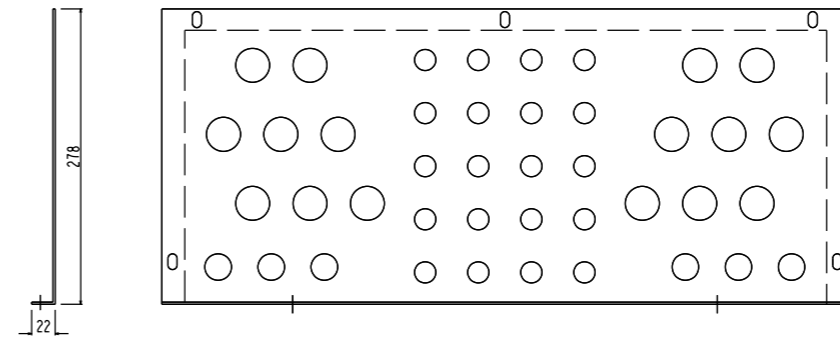
REV	REVISION DESCRIPTION	BY	CHKD	APP	DATE
	PROJECT APPROVED BY	DESIGN ACCEPTED BY	Eskom Holdings SOC Ltd Reg No 2002/015527/30		
	DATE	DATE			
	PROJECT CHECKED BY	DESIGN APPROVED BY			
	DATE	DATE			
	PROJECT DRAWN BY	DESIGN CHECKED BY	SECTION VIEWS		
	DATE	DATE			
	SCALE	DESIGN DRAWN BY	SHEET NUMBER	REVISION	
	1:10	M. MURALI	5	0	

GLAND PLATES & WIRE MESH FOR AIRFLOW

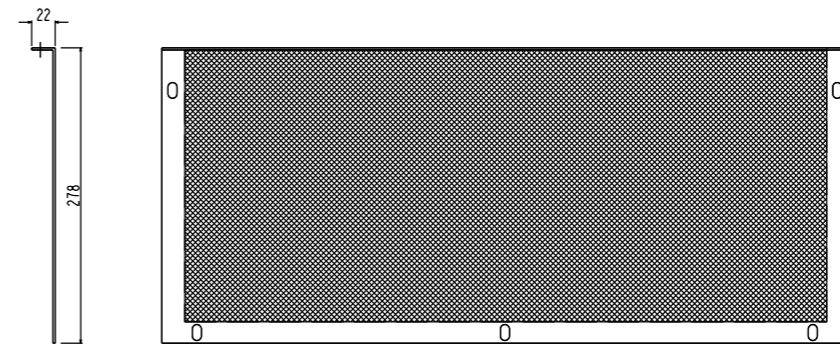
BACK PLATE



BACK PLATE COMMON



FRONT PLATE



REV	DESCRIPTION	BY	CHKD	APP	DATE
1	NEW SHEETS ADDED	M.W	V.K.P		FEB 2021
	REVISION TO MASTER				

REV	REVISION DESCRIPTION	BY	CHKD	APP	DATE
	PROJECT APPROVED BY	DESIGN ACCEPTED BY		DATE	
	DATE	DATE		DATE	
	PROJECT CHECKED BY	DESIGN APPROVED BY		DATE	
	DATE	DATE		DATE	
	PROJECT DRAWN BY	DESIGN CHECKED BY		DATE	
	DATE	DATE		DATE	
	SCALE	DESIGN DRAWN BY		DATE	
		M. MURALI		DATE 30/10/2017	
				SHEET NUMBER	REVISION
				6	0



Eskom Holdings SOC Ltd
Reg No 2002/015527/30

GLAND PLATES