

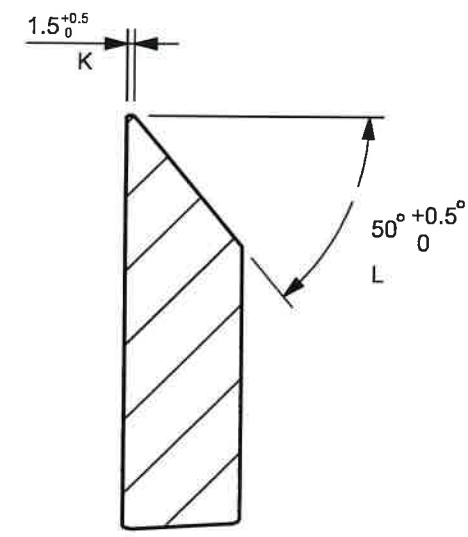
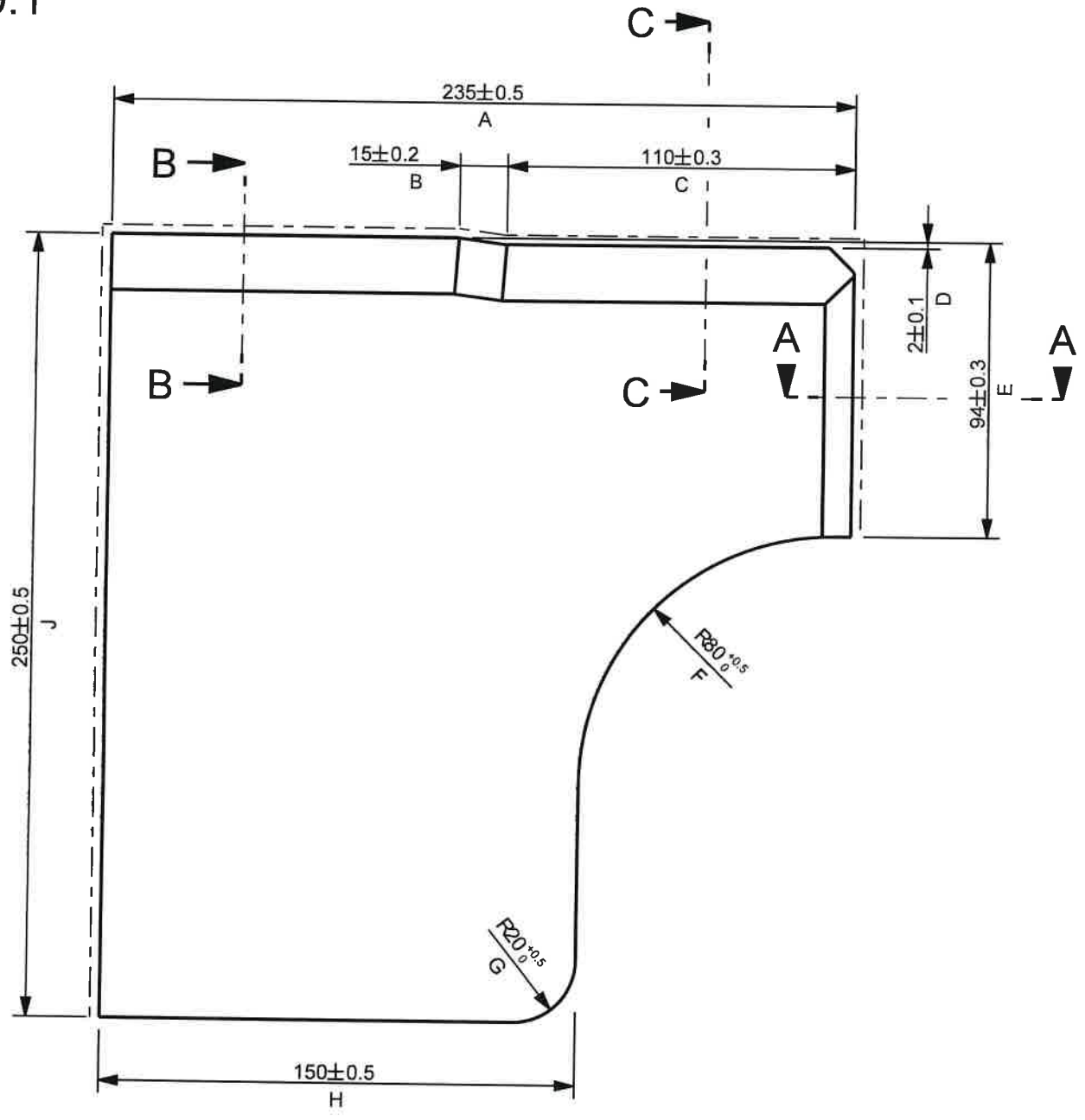
ITEM NO.
BT DRW. REV_A

FOR UNTOLERANCED DIMENSIONS SEE ISO 2768-1: DESIGNATION
FOR GENERAL TOLERANCE ON WELDED CONSTRUCTIONS SEE ISO 13920: CLASS

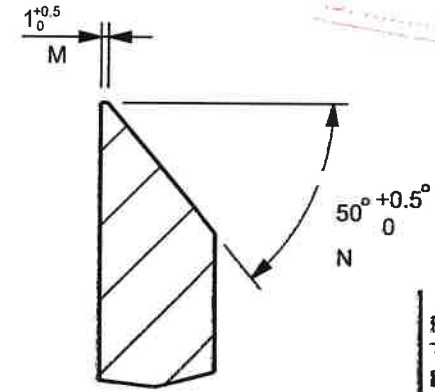
M
A E

2D STATUS IN WORK

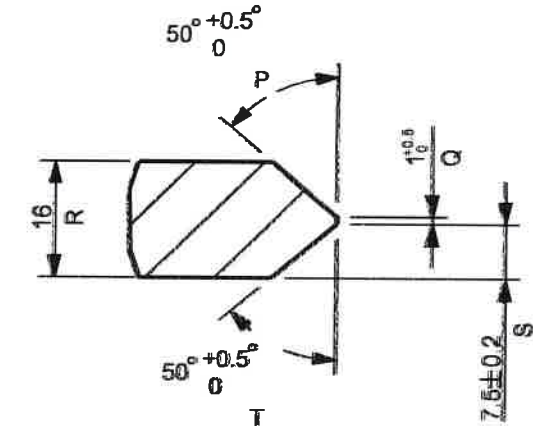
GROUP 9.1



SECTION B-B
SCALE 1:1



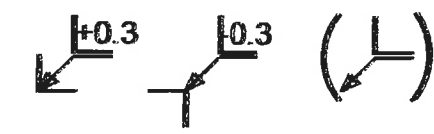
SECTION C-C
SCALE 1:1



SECTION A-A
SCALE 1:1



12.5 ✓



PART EDGES ISO 13715

- REV 5
TOLERANCES ALTERED
PD_PEL_KLP_DRW_23E
2015-10-10 M.J.M.
- REV 4
TOLERANCES ALTERED
PD_PEL_KLP_DRW_23E
2015-09-04 M.J.M.
- REV 3
LETTERS ADDED FOR
SOP.
PD_PEL_KLP_DRW_23E.
2015-08-07 M.J.M.
- REV 2
DESIGN CHANGE
PD_PEL_KLP_DRW_23E
2015-07-07 M.N.N.
- REV.1
MACHINING SKETCH
ADDED
PD_PEL_KLP_DRW_23E
23-06-2015 M.J.M.

NOTE:
FOR CUTTING, REFER TO DRAWING NO: CUT_22A0701

<p>COPYRIGHT THIS DRAWING TOGETHER WITH THE COPYRIGHT IS THE PROPERTY OF TRANSNET THIS DRAWING OR ANY PART THEREOF IS NOT TO BE COPIED OR OTHERWISE REPRODUCED OR USED FOR MANUFACTURE OR ANY OTHER PURPOSE WITHOUT THE WRITTEN PERMISSION FROM CHIEF EXECUTIVE, TRANSNET ENGINEERING</p>	ASSEMBLY DRG No.	DRAWN	M.J.M.	<p>KILNER PARK LOCOMOTIVES</p> <p>RIB</p>	<p>MATERIAL</p> <p>STEEL SANS 50025 GRADE S355 J2+N PLATE 16 235 x 250</p>
	CLASS 23E	CHECKED	M.N.N.		
	TYPE ELECTRIC LOCOMOTIVE	APPROVED	B.E.D.		
	SCALE 1:2	DATE			
A-3 PROJECTION	DOCUMENT REFERENCE No.	PD_PEL_KLP_DRW_23E		SHEET 1 OF 1	No.
				TRANSNET ENGINEERING	MAC 22A0701 REV. -5

AMENDMENTS
MASS 5.55 Kg

Group 9

ITEM NO. _____

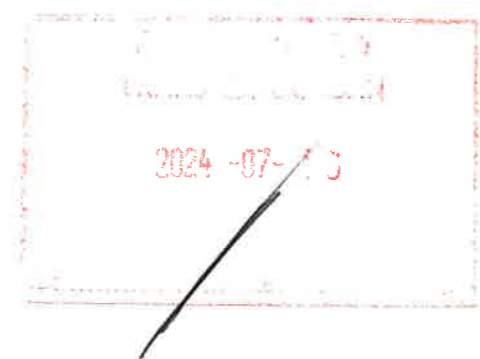
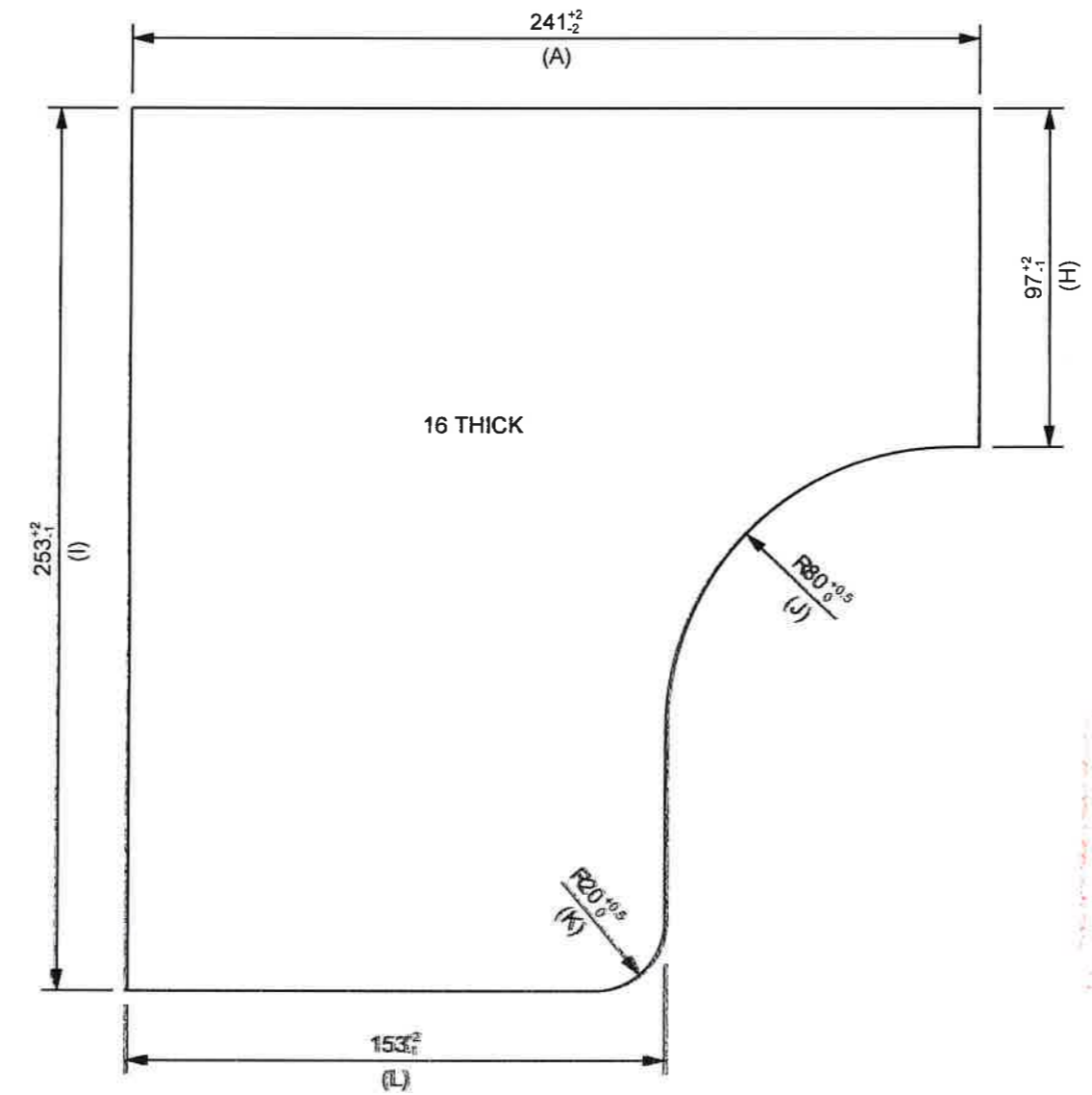
BT DRW. REV_A

FOR UNTOLERANCED DIMENSIONS SEE ISO 2768-1: DESIGNATION **M**
 FOR GENERAL TOLERANCE ON WELDED CONSTRUCTIONS SEE ISO 13920: CLASS **A E**

2D STATUS **IN WORK**

GROUP 9.1

GENERAL TOLERANCES	
ISO 14405-1 DIMENSIONAL TOLERANCING	ISO 13920-B F WELDMENTS
ISO 8015 TOLERANCING	EN 10243-F FORGING
ISO 2768-mK-E LINEAR DIMENSIONS, SYMMETRY	DIN 6935 COLD BENDING
ISO 9013-422 THERMAL CUTTING	DIN 6930-m STAMPING
ISO 8062 CASTING	



PART EDGES ISO 13715

- REV_5
BT DRW UPDATED
PD_PEL_KLP_DRW_23E
2016-07-11 S.W.S.
- REV_4
TOLERANCE ALTERED AND
2mm CUT OUT REMOVED.
PD_PEL_KLP_DRW_23E
2015-09-03 M.J.M.
- REV_3
DESIGN CHANGE
PD_PEL_KLP_DRW_23E
2015-07-07 M.N.N.
- REV_2
TOLERANCE HAS BEEN
AMENDED
PD_PEL_KLP_DRW_23E
2015-05-18 M.P.T.
- REV_1
CUTTING MARGINS ADDED
PD_PEL_KLP_DRW_23E
2015-05-04 M.J.M.

AMENDMENTS	
MASS	6.10 Kg

COPYRIGHT
 THIS DRAWING TOGETHER WITH THE COPYRIGHT
 IS THE PROPERTY OF
TRANSNET
 THIS DRAWING OR ANY PART THEREOF IS NOT
 TO BE COPIED OR OTHERWISE REPRODUCED
 OR USED FOR MANUFACTURE OR ANY OTHER
 PURPOSE WITHOUT THE WRITTEN PERMISSION
 FROM
 CHIEF EXECUTIVE,
 TRANSNET ENGINEERING

ASSEMBLY DRG No.	DRAWN	M.J.M.
	CHECKED	M.N.N.
CLASS 23E	APPROVED	B.E.D.
TYPE ELECTRIC LOCOMOTIVE	DATE	
	SCALE	1:2

KILNER PARK LOCOMOTIVES
RIB
 LATERAL STOP RIGHT
 SHEET 1 OF 1

MATERIAL
 STEEL
 SANS 50025 GRADE S355 J2+N
 PLATE 16
 253 x 241

A-3 PROJECTION

DOCUMENT REFERENCE No. PD_PEL_KLP_DRW_23E

TRANSNET ENGINEERING

No. **CUT 22A0701** REV. -5

ITEM NO. _____

BT DRW. REV_A

FOR UNTOLERANCED DIMENSIONS SEE ISO 2768-1: DESIGNATION **M**
 FOR GENERAL TOLERANCE ON WELDED CONSTRUCTIONS SEE ISO 13920: CLASS **A E**

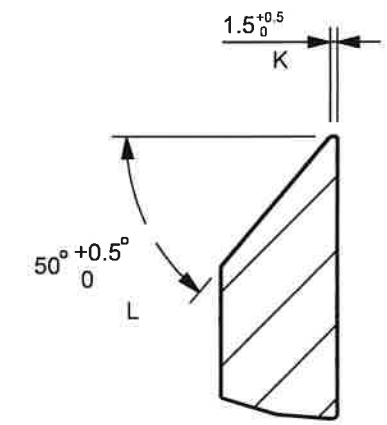
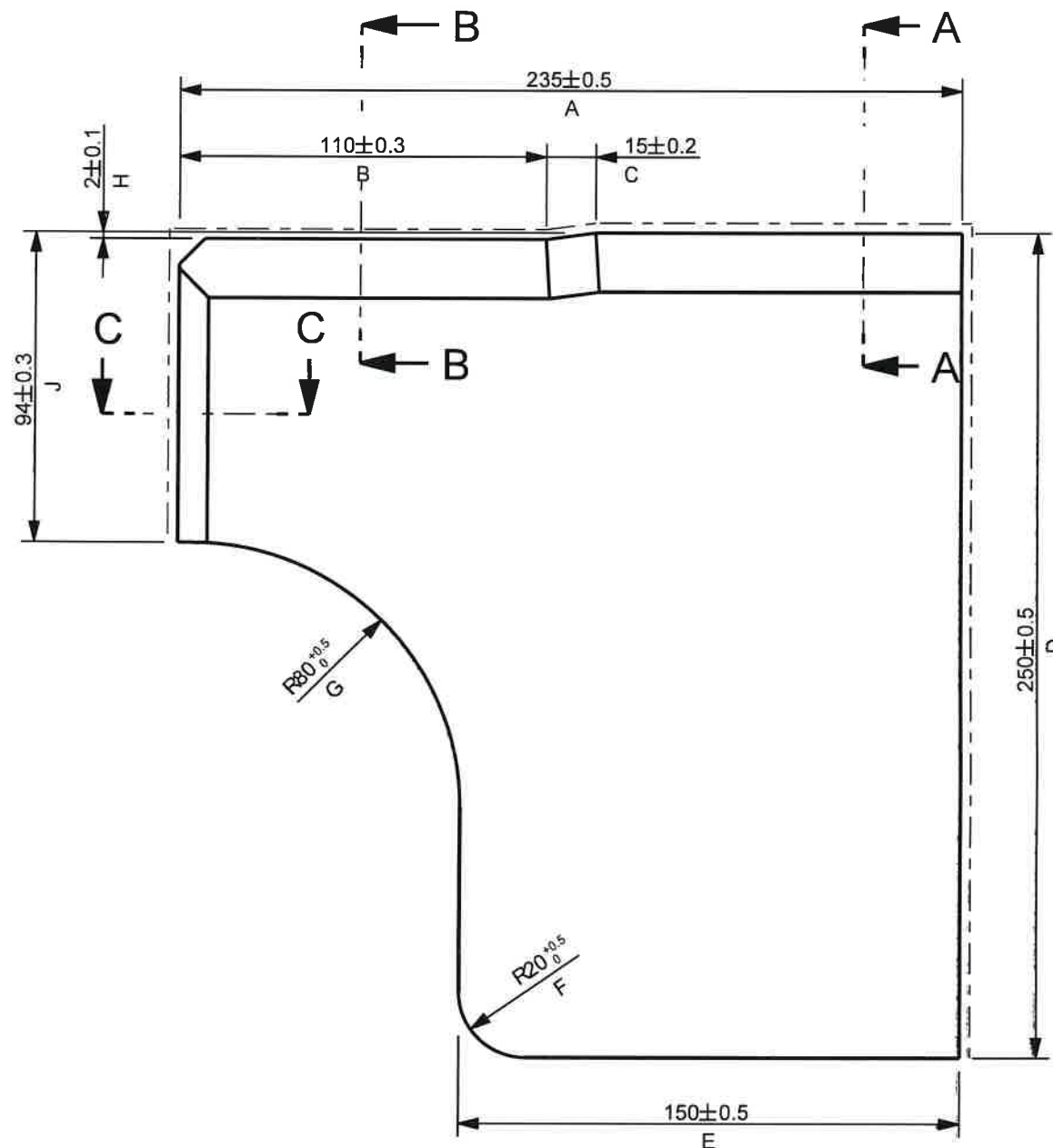
M
A E

2D STATUS

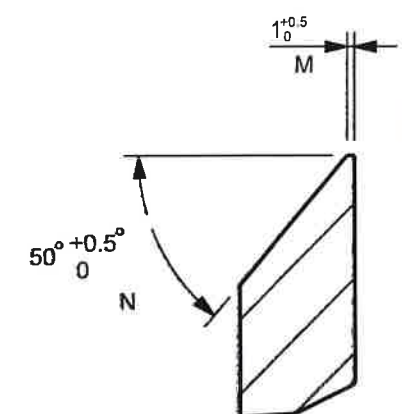
IN WORK

GROUP 9.2

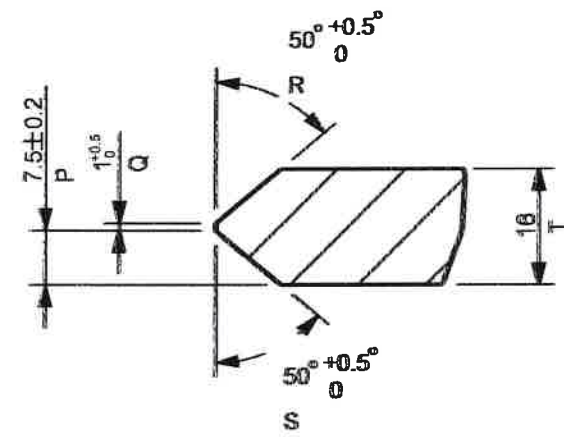
GENERAL TOLERANCES	
ISO 14405-1 DIMENSIONAL TOLERANCING	ISO 13920-B F WELDMENTS
ISO 8015 TOLERANCING	EN 10243-F FORGING
ISO 2768-mK-E LINEAR DIMENSIONS, SYMMETRY	DIN 6935 COLD BENDING
ISO 9013-422 THERMAL CUTTING	DIN 6930-m STAMPING
ISO 8062 CASTING	



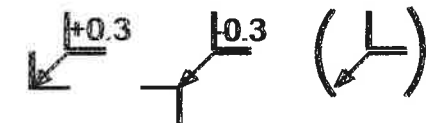
SECTION A-A
SCALE 1:1



SECTION B-B
SCALE 1:1



SECTION C-C
SCALE 1:1



PART EDGES ISO 13715



REV 5
TOLERANCES ALTERED
PD_PEL_KLP_DRW_23E
2015-10-10 M.J.M.

REV 4
TOLERANCES ALTERED
PD_PEL_KLP_DRW_23E
2015-09-04 M.J.M.

REV 3
LETTERS ADDED FOR
SOP.
PD_PEL_KLP_DRW_23E.
2015-08-11 M.J.M.

REV 2
DESIGN CHANGE
PD_PEL_KLP_DRW_23E
2015-07-07 M.N.N.

REV 1
MACHINING SKETCH
ADDED
PD_PEL_KLP_DRW_23E
23-06-2015 M.J.M.

AMENDMENTS
MASS 5.55 Kg

12.5

NOTE:
FOR CUTTING, REFER TO DRAWING NO: CUT_22A0702

COPYRIGHT THIS DRAWING TOGETHER WITH THE COPYRIGHT IS THE PROPERTY OF TRANSNET THIS DRAWING OR ANY PART THEREOF IS NOT TO BE COPIED OR OTHERWISE REPRODUCED OR USED FOR MANUFACTURE OR ANY OTHER PURPOSE WITHOUT THE WRITTEN PERMISSION FROM CHIEF EXECUTIVE, TRANSNET ENGINEERING	ASSEMBLY DRG No.	DRAWN	M.J.M.	KILNER PARK LOCOMOTIVES RIB	MATERIAL STEEL SANS 50025 GRADE S355 J2+N PLATE 16 235 x 250
	CLASS 23E	CHECKED	M.N.N.		
	TYPE ELECTRIC LOCOMOTIVE	APPROVED	B.E.D.		
	DATE	SCALE	1:2		
DOCUMENT REFERENCE No.	PD_PEL_KLP_DRW_23E	TRANSNET ENGINEERING		SHEET 1 OF 1	No. MAC 22A0702 REV. -5



ITEM NO.

BT DRW. REV_A

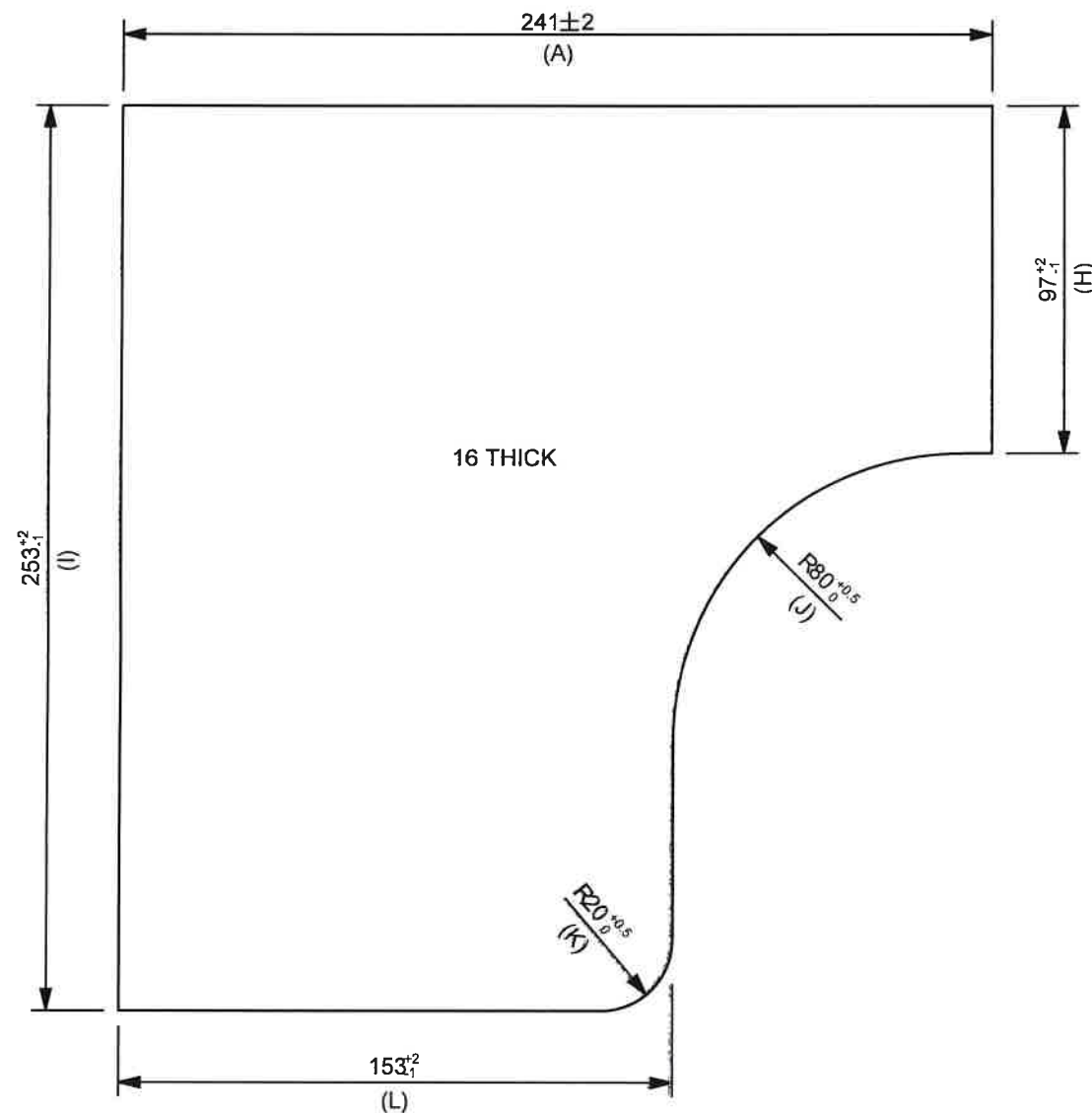
GROUP 9.2

FOR UNTOLERANCED DIMENSIONS SEE ISO 2768-1: DESIGNATION
FOR GENERAL TOLERANCE ON WELDED CONSTRUCTIONS SEE ISO 13920: CLASS

M
A E

2D STATUS IN WORK

GENERAL TOLERANCES	
ISO 14405-1 DIMENSIONAL TOLERANCING	ISO 13920-B F WELDMENTS
ISO 8015 TOLERANCING	EN 10243-F FORGING
ISO 2768-mK-E LINEAR DIMENSIONS, SYMMETRY	DIN 6935 COLD BENDING
ISO 9013-422 THERMAL CUTTING	DIN 6930-m STAMPING
ISO 8062 CASTING	



REV 5
TOLERANCES ALTERED
PD_PEL_KLP_DRW_23E
2015-10-16 M.J.M.

REV 4
TOLERANCE ALTERED AND
2mm CUT OUT REMOVED.
PD_PEL_KLP_DRW_23E
2015-09-03 M.J.M.

REV 3
DESIGN CHANGE
BT DRW. REV_A
PD_PEL_KLP_DRW_23E
2015-07-07 M.N.N.

REV 2
TOLERANCE HAS BEEN
AMENDED
PD_PEL_KLP_DRW_23E
2015-05-18 M.P.T.

REV 1
CUTTING MARGINS ADDED
PD_PEL_KLP_DRW_23E
2015-05-04 M.J.M.



PART EDGES ISO 13715

AMENDMENTS
MASS 6.07 Kg

COPYRIGHT
THIS DRAWING TOGETHER WITH THE COPYRIGHT
IS THE PROPERTY OF
TRANSNET
THIS DRAWING OR ANY PART THEREOF IS NOT
TO BE COPIED OR OTHERWISE REPRODUCED
OR USED FOR MANUFACTURE OR ANY OTHER
PURPOSE WITHOUT THE WRITTEN PERMISSION
FROM
CHIEF EXECUTIVE,
TRANSNET ENGINEERING

ASSEMBLY DRG No.	DRAWN	M.J.M.
	CHECKED	M.N.N.
CLASS 23E	APPROVED	B.E.D.
TYPE ELECTRIC LOCOMOTIVE	DATE	
	SCALE	1:2

KILNER PARK LOCOMOTIVES
RIB
LATERAL STOP RIGHT
SHEET 1 OF 1

MATERIAL
STEEL
SANS 50025 GRADE S355 J2+N
PLATE 16
253 x 241

A-3 PROJECTION

DOCUMENT REFERENCE No. PD_PEL_KLP_DRW_23E

TRANSNET ENGINEERING

No. **CUT 22A0702** REV. -5

ITEM NO. _____

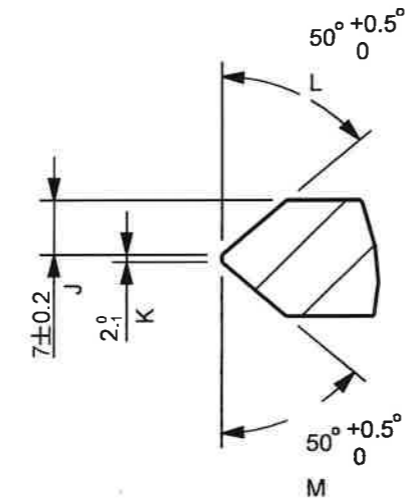
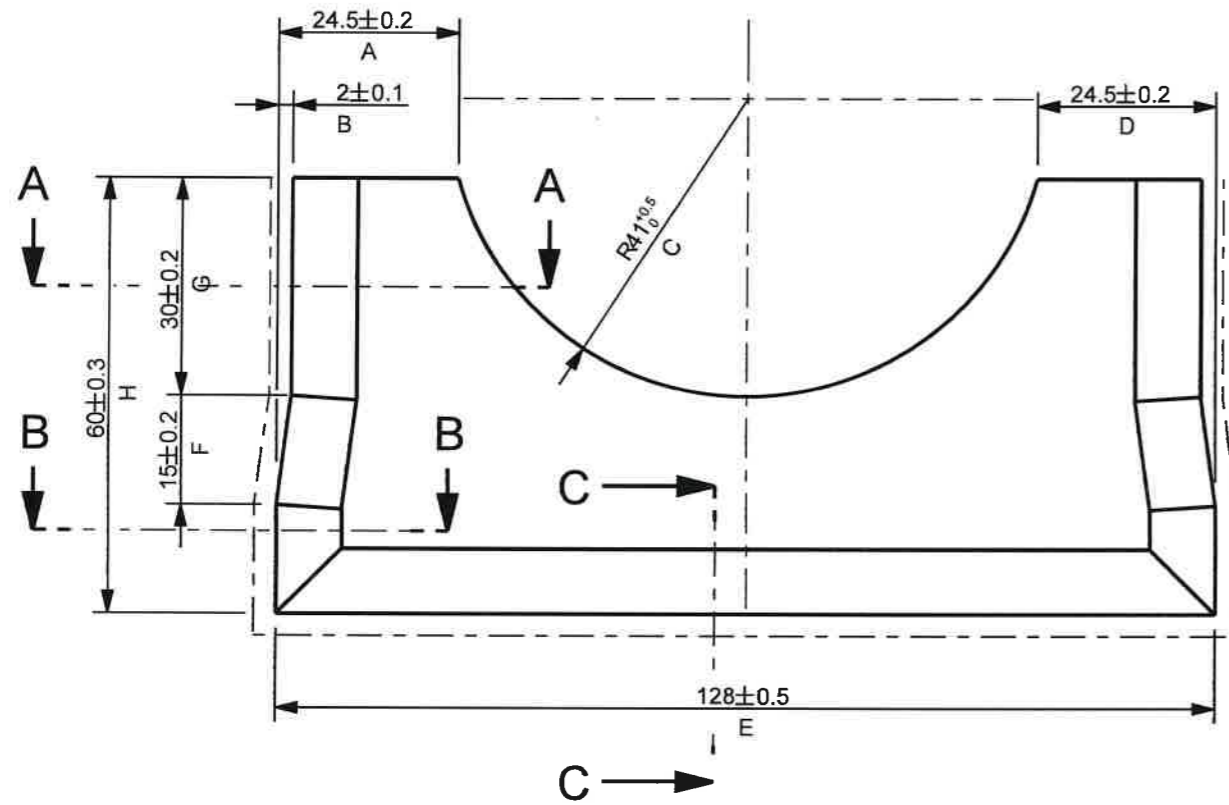
BT DRW. REV_A

FOR UNTOLERANCED DIMENSIONS SEE ISO 2768-1: DESIGNATION M
 FOR GENERAL TOLERANCE ON WELDED CONSTRUCTIONS SEE ISO 13920: CLASS A E

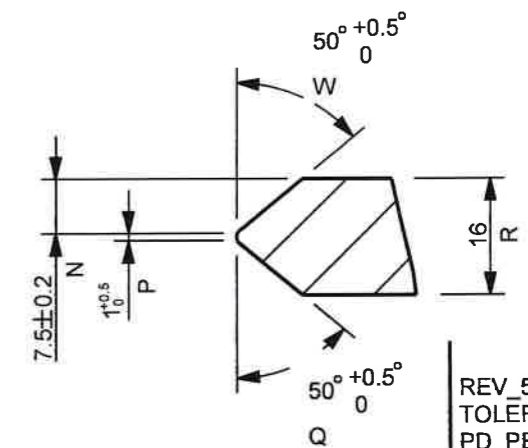
2D STATUS IN WORK

GROUP 9.3

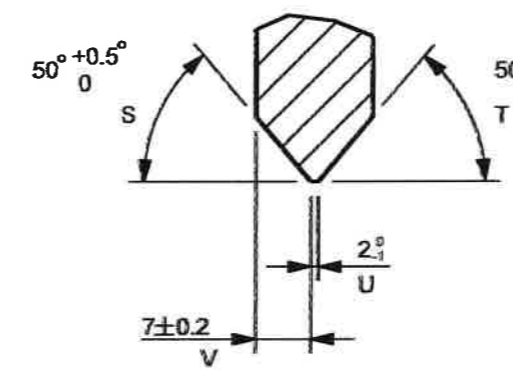
GENERAL TOLERANCES	
ISO 14405-1 DIMENSIONAL TOLERANCING	ISO 13920-B F WELDMENTS
ISO 8015 TOLERANCING	EN 10243-F FORGING
ISO 2768-mK-E LINEAR DIMENSIONS, SYMMETRY	DIN 6935 COLD BENDING
ISO 9013-422 THERMAL CUTTING	DIN 6930-m STAMPING
ISO 8062 CASTING	



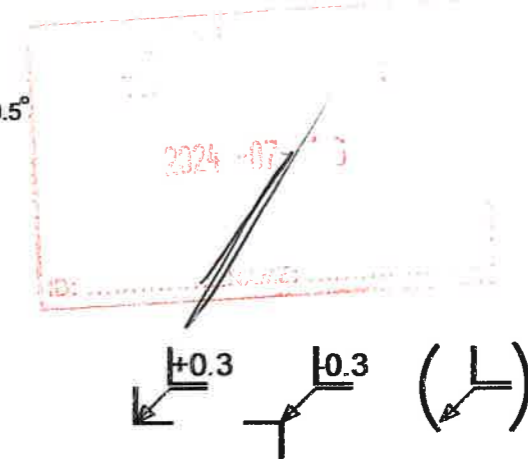
SECTION B-B
SCALE 1:1



SECTION A-A
SCALE 1:1



SECTION C-C
SCALE 1:1



PART EDGES ISO 13715

- REV_5
TOLERANCES ALTERED
PD_PEL_KLP_DRW_23E
2015-10-10 M.J.M.
- REV_4
TOLERANCES ALTERED
PD_PEL_KLP_DRW_23E
2015-09-04 M.J.M.
- REV_3
LETTERS ADDED FOR
SOP.
PD_PEL_KLP_DRW_23E.
2015-08-11 M.J.M.
- REV_2
DESIGN CHANGE
PD_PEL_KLP_DRW_23E
2015-07-07 M.N.N.
- REV_1
MACHINING SKETCH
ADDED
PD_PEL_KLP_DRW_23E
23-06-2015 M.J.M.

AMENDMENTS	
MASS	0.60 Kg

12.5

NOTE:
FOR CUTTING, REFER TO DRAWING NO: CUT_22A0703

COPYRIGHT THIS DRAWING TOGETHER WITH THE COPYRIGHT IS THE PROPERTY OF TRANSNET THIS DRAWING OR ANY PART THEREOF IS NOT TO BE COPIED OR OTHERWISE REPRODUCED OR USED FOR MANUFACTURE OR ANY OTHER PURPOSE WITHOUT THE WRITTEN PERMISSION FROM CHIEF EXECUTIVE, TRANSNET ENGINEERING	ASSEMBLY DRG No.	DRAWN	M.J.M.	KILNER PARK LOCOMOTIVES RIB	MATERIAL STEEL SANS 50025 GRADE S355 J2+N PLATE 16 128 x 60 SHEET 1 OF 1
		CHECKED	M.N.N.		
	CLASS 23E	APPROVED	B.E.D.		
	TYPE ELECTRIC LOCOMOTIVE	DATE			
	SCALE	1:1		TRANSNET ENGINEERING	No.
A-3 PROJECTION	DOCUMENT REFERENCE No.	PD_PEL_KLP_DRW_23E		MAC 22A0703	REV. -5

ITEM NO. _____

BT DRW. REV_A

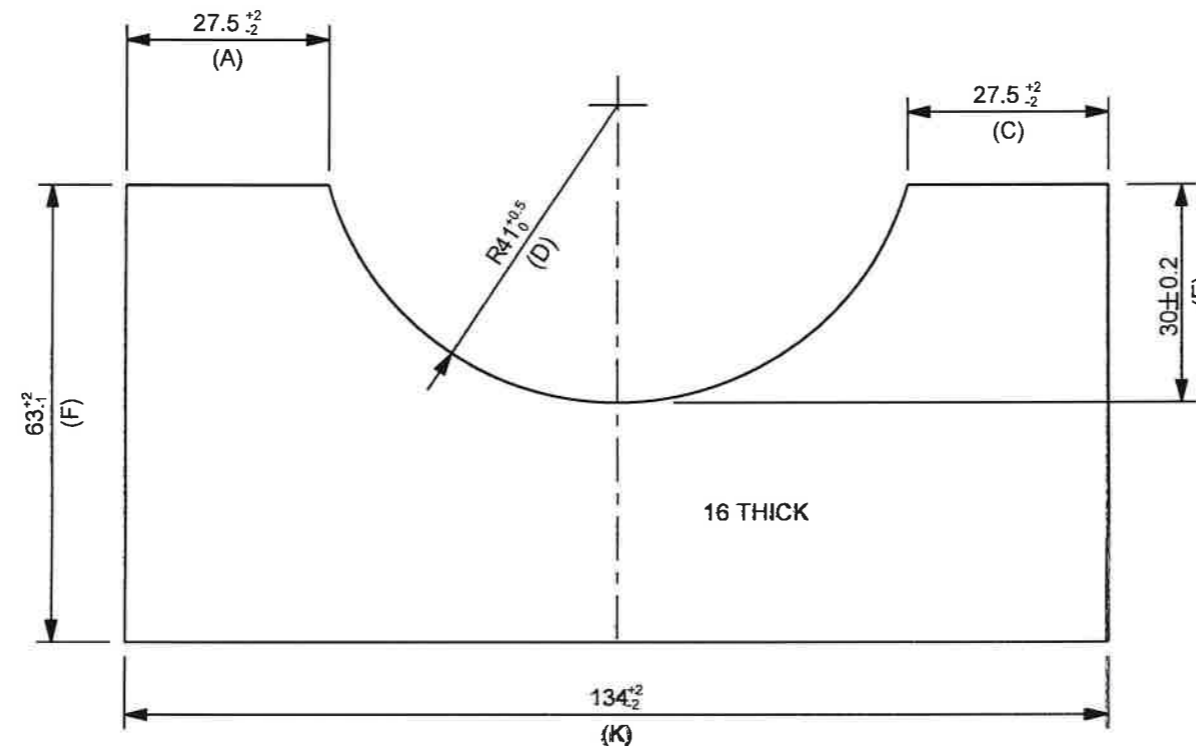
FOR UNTOLERANCED DIMENSIONS SEE ISO 2768-1: DESIGNATION M
 FOR GENERAL TOLERANCE ON WELDED CONSTRUCTIONS SEE ISO 13920: CLASS A E

M
A E

2D STATUS | IN WORK

GROUP 9.3

GENERAL TOLERANCES	
ISO 14405-1 DIMENSIONAL TOLERANCING	ISO 13920-B F WELDMENTS
ISO 8015 TOLERANCING	EN 10243-F FORGING
ISO 2768-mK-E LINEAR DIMENSIONS, SYMMETRY	DIN 6935 COLD BENDING
ISO 9013-422 THERMAL CUTTING	DIN 6930-m STAMPING
ISO 8062 CASTING	



REV_5
TOLERANCES ALTERED
PD_PEL_KLP_DRW_23E
2015-10-16 M.J.M.

REV_4
TOLERANCE ALTERED
PD_PEL_KLP_DRW_23E
2015-08-31 M.J.M.

REV_3
DESIGN CHANGE
BT DRW. REV_A
PD_PEL_KLP_DRW_23E
2015-07-07 M.N.N.

REV_2
TOLERANCE HAS BEEN
AMENDED
PD_PEL_KLP_DRW_23E
2015-05-18 M.P.T.

REV_1
CUTTING MARGINS ADDED
PD_PEL_KLP_DRW_23E
2015-05-04 M.J.M.



PART EDGES ISO 13715

AMENDMENTS

MASS | 0.84 Kg

COPYRIGHT
 THIS DRAWING TOGETHER WITH THE COPYRIGHT
 IS THE PROPERTY OF
TRANSNET
 THIS DRAWING OR ANY PART THEREOF IS NOT
 TO BE COPIED OR OTHERWISE REPRODUCED
 OR USED FOR MANUFACTURE OR ANY OTHER
 PURPOSE WITHOUT THE WRITTEN PERMISSION
 FROM
 CHIEF EXECUTIVE,
 TRANSNET ENGINEERING

ASSEMBLY DRG No.	DRAWN	M.J.M.
	CHECKED	M.N.N.
CLASS 23E	APPROVED	B.E.D.
TYPE ELECTRIC LOCOMOTIVE	DATE	
	SCALE	1:1

KILNER PARK LOCOMOTIVES
RIB
 LATERAL STOP RIGHT
 SHEET 1 OF 1

MATERIAL
 STEEL
 SANS 50025 GRADE S355 J2+N
 PLATE 16
 134 x 63

A-3 PROJECTION

DOCUMENT REFERENCE No. PD_PEL_KLP_DRW_23E

TRANSNET ENGINEERING

No. **CUT 22A0703** REV. -5

ITEM NO. _____

FOR UNTOLERANCED DIMENSIONS SEE ISO 2768-1: DESIGNATION
 FOR GENERAL TOLERANCE ON WELDED CONSTRUCTIONS SEE ISO 13920: CLASS

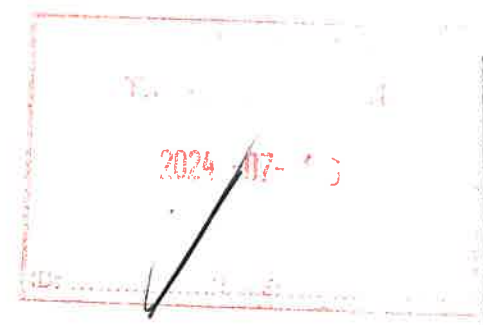
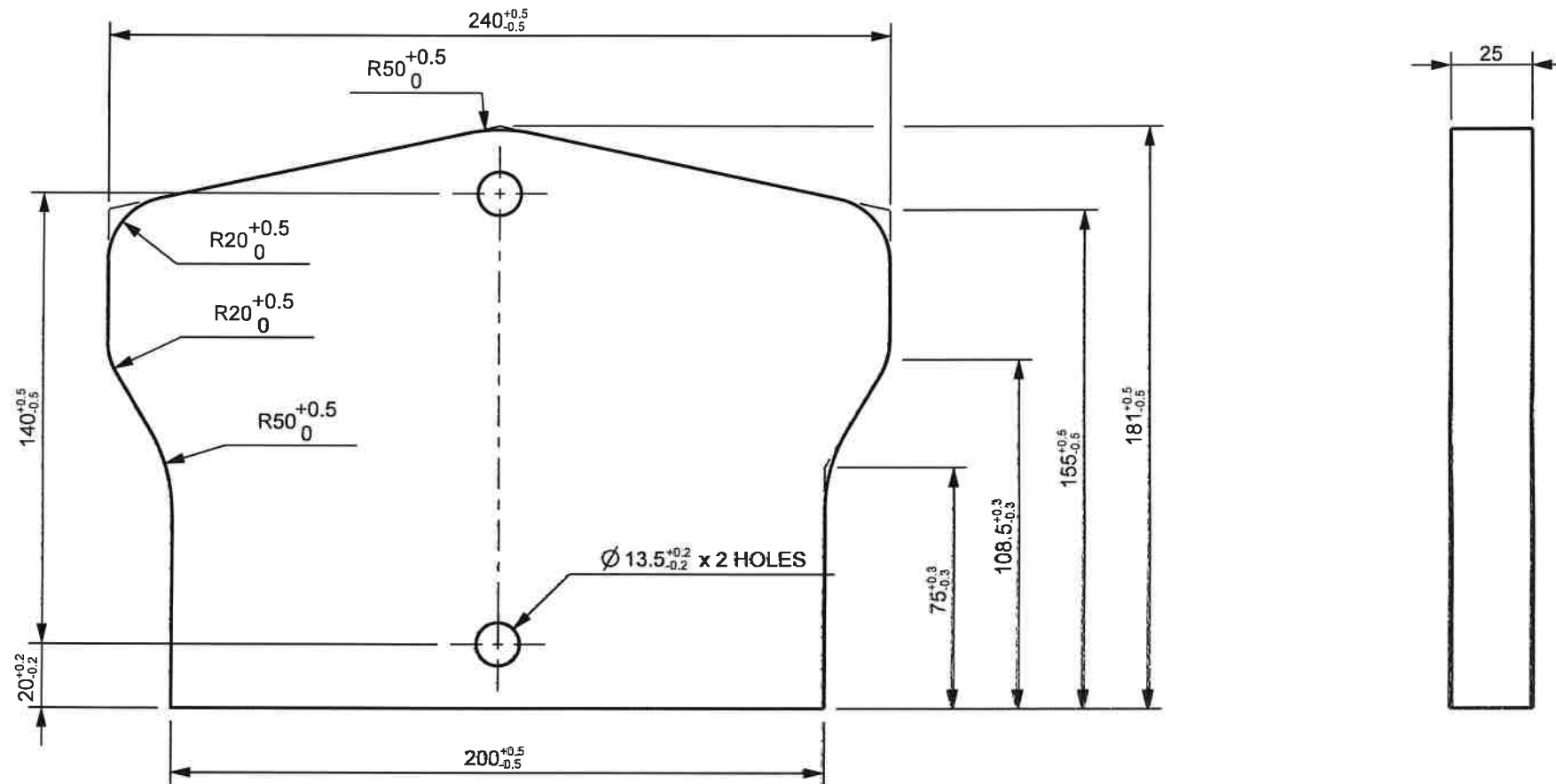
M
A E

2D STATUS IN WORK

BT DRW. REV_0

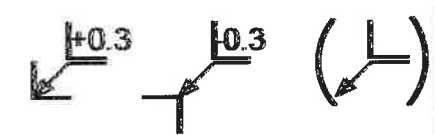
GROUP 9.4

GENERAL TOLERANCES	
ISO 14405-1 DIMENSIONAL TOLERANCING	ISO 13920-B F WELDMENTS
ISO 8015 TOLERANCING	EN 10243-F FORGING
ISO 2768-mK-E LINEAR DIMENSIONS, SYMMETRY	DIN 6935 COLD BENDING
ISO 9013-422 THERMAL CUTTING	DIN 6930-m STAMPING
ISO 8062 CASTING	



- REV_5 THICKNESS CHANGED.. PD_PEL_KLP_DRW_23E 2017-04-21 S.W.S.
- REV_4 TOLERANCE REMOVED FROM PLATE THICKNESS PD_PEL_KLP_DRW_23E 2016-07-21 S.W.S
- REV_3 TOLERANCES ALTERED PD_PEL_KLP_DRW_23E 2015-11-11 M.J.M.
- REV_2 LETTERS ADDED FOR SOP. PD_PEL_KLP_DRW_23E. 2015-08-12 M.J.M.
- REV_1 NOTE HAS BEEN ADDED. PD_PEL_KLP_DRW_23E 2015-06-23. M.N.N.

12.5 ✓ 3.2 ✓



PART EDGES ISO 13715

NOTE:
 FOR CUTTING, REFER TO DRAWING NO: CUT_28A0118

COPYRIGHT THIS DRAWING TOGETHER WITH THE COPYRIGHT IS THE PROPERTY OF TRANSNET THIS DRAWING OR ANY PART THEREOF IS NOT TO BE COPIED OR OTHERWISE REPRODUCED OR USED FOR MANUFACTURE OR ANY OTHER PURPOSE WITHOUT THE WRITTEN PERMISSION FROM CHIEF EXECUTIVE, TRANSNET ENGINEERING	ASSEMBLY DRG No.	DRAWN	M.J.M.	KILNER PARK LOCOMOTIVES PLATE	MATERIAL STEEL SANS 50025 GR S355 J2+N PLATE 25 240 x 181
	CLASS 23E	CHECKED	M.N.N.		
	TYPE ELECTRIC LOCOMOTIVE	APPROVED	B.E.D.		
	DATE	SCALE	1:2		
A-3	PROJECTION	DOCUMENT REFERENCE No.	PD_PEL_KLP_DRW_23E	TRANSNET ENGINEERING	SHEET 1 OF 1 No. MAC 28A0118 REV. -5

ITEM NO.

BT DRW. REV_0

FOR UNTOLERANCED DIMENSIONS SEE ISO 2768-1:
 FOR GENERAL TOLERANCE ON WELDED CONSTRUCTIONS SEE ISO 13920: CLASS

DESIGNATION

M

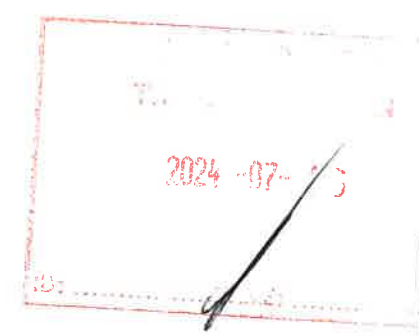
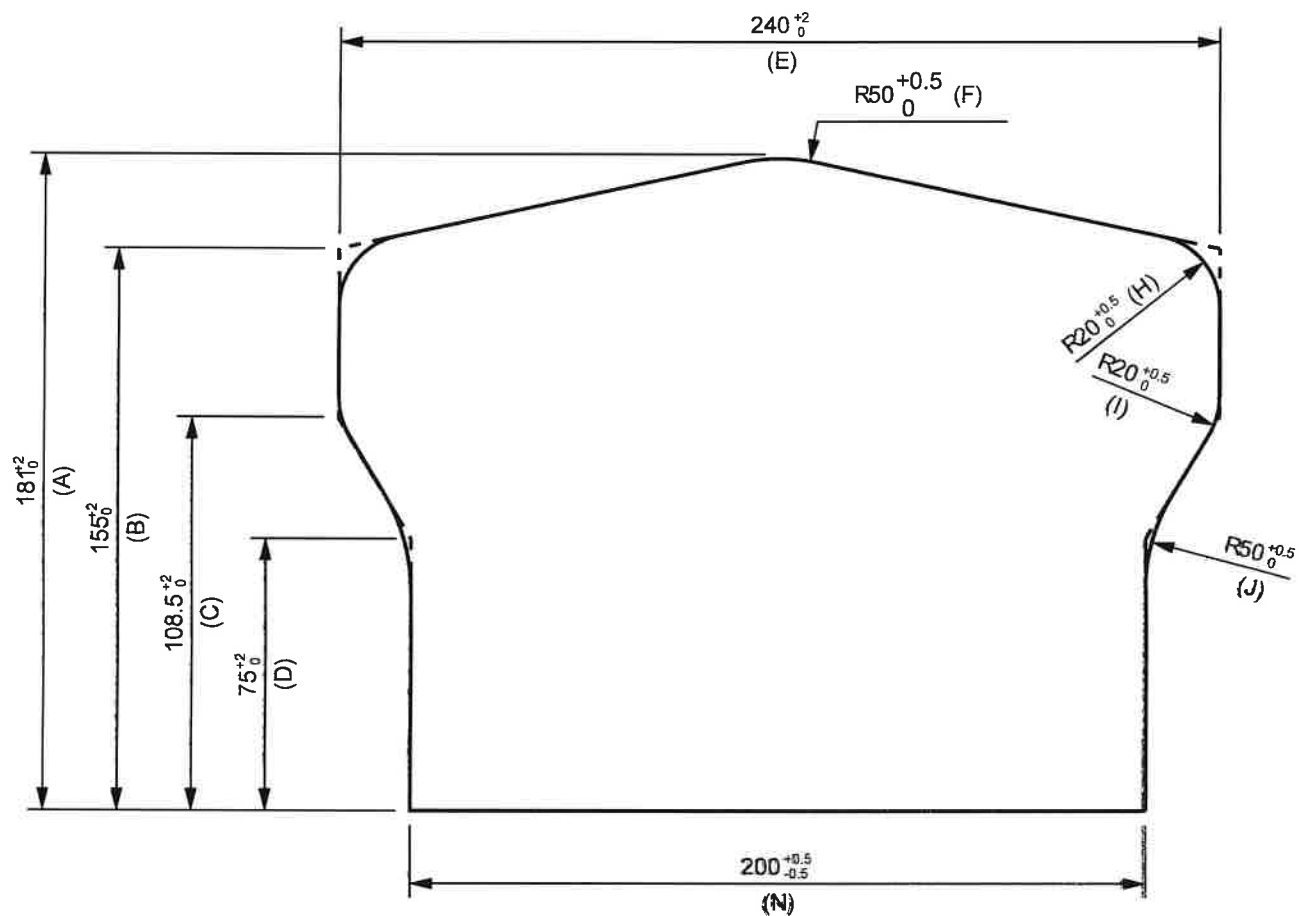
A E

2D STATUS

IN WORK

GROUP 9.4

GENERAL TOLERANCES	
ISO 14405-1 DIMENSIONAL TOLERANCING	ISO 13920-B F WELDMENTS
ISO 8015 TOLERANCING	EN 10243-F FORGING
ISO 2768-mK-E LINEAR DIMENSIONS, SYMMETRY	DIN 6935 COLD BENDING
ISO 9013-422 THERMAL CUTTING	DIN 6930-m STAMPING
ISO 8062 CASTING	



REV_3
 DIMENSIONS ALTERED
 PD_PEL_KLP_DRW_23E
 2017-04-21 S.W.S.

REV_2
 TOLERANCES ALTERED
 PD_PEL_KLP_DRW_23E
 2015-10-20 M.J.M.

REV_1
 TOLERANCE ALTERED
 PD_PEL_KLP_DRW_23E
 2015-08-31 M.J.M.



PART EDGES ISO 13715

AMENDMENTS
 MASS 7.18 Kg

COPYRIGHT
 THIS DRAWING TOGETHER WITH THE COPYRIGHT IS THE PROPERTY OF
TRANSNET
 THIS DRAWING OR ANY PART THEREOF IS NOT TO BE COPIED OR OTHERWISE REPRODUCED OR USED FOR MANUFACTURE OR ANY OTHER PURPOSE WITHOUT THE WRITTEN PERMISSION FROM
 CHIEF EXECUTIVE,
 TRANSNET ENGINEERING

ASSEMBLY DRG No.	DRAWN	M.J.M.
	CHECKED	M.N.N.
CLASS 23E	APPROVED	B.E.D.
TYPE ELECTRIC LOCOMOTIVE	DATE	18/03/2015
	SCALE	1:2

KILNER PARK LOCOMOTIVES
PLATE
 SHEET 1 OF 1

MATERIAL
 STEEL
 SANS 50025 GR S355 J2+N
 PLATE 20
 240 x 181

A-3 PROJECTION

DOCUMENT REFERENCE No. PD_PEL_KLP_DRW_23E

TRANSNET ENGINEERING

No. **CUT 28A0118** REV. -3