

DESIGN BRANCH

SUB CONSULTANT

DESIGN CONSULTANT

**VUVAMU** (Pty) Ltd  
 Project Management and Engineering Consultants  
 ADDRESS : 62 Old Main Road KLOOF 3610  
 Email : info@vuvamu.co.za  
 Contact Details : TEL : (031) 003 4270 FAX : (031) 003 4271

FUNCTION	NAME	SIGNATURE
DESIGNED BY	A.XOZWA	
DRAWN BY	M.MTHEMBU	
DESIGN CHECKED BY	S.MBUTHUMA	
DRAWING CHECKED BY	A.XOZWA	
<b>APPROVAL - CONSULTANT</b>		
NAME	S.MBUTHUMA	
DATE	PROF REG No.	2018300301
SCALE	AS SHOWN	SHEET SIZE A0

CONSTRUCTION INFORMATION		
START DATE		
FINISH DATE		
W/O NUMBER		
LEVEL OF SERVICE		
SUPERVISOR NAME		
CONTACT NUMBER		
DATE SENT TO GIS		
GIS INFORMATION		
DATE RECEIVED		
NAME		

Rev. No	Date	Description	Drawn
NOTE: No construction work to commence until land and servitude acquisitions have been completed			
Acquisitions completed:			

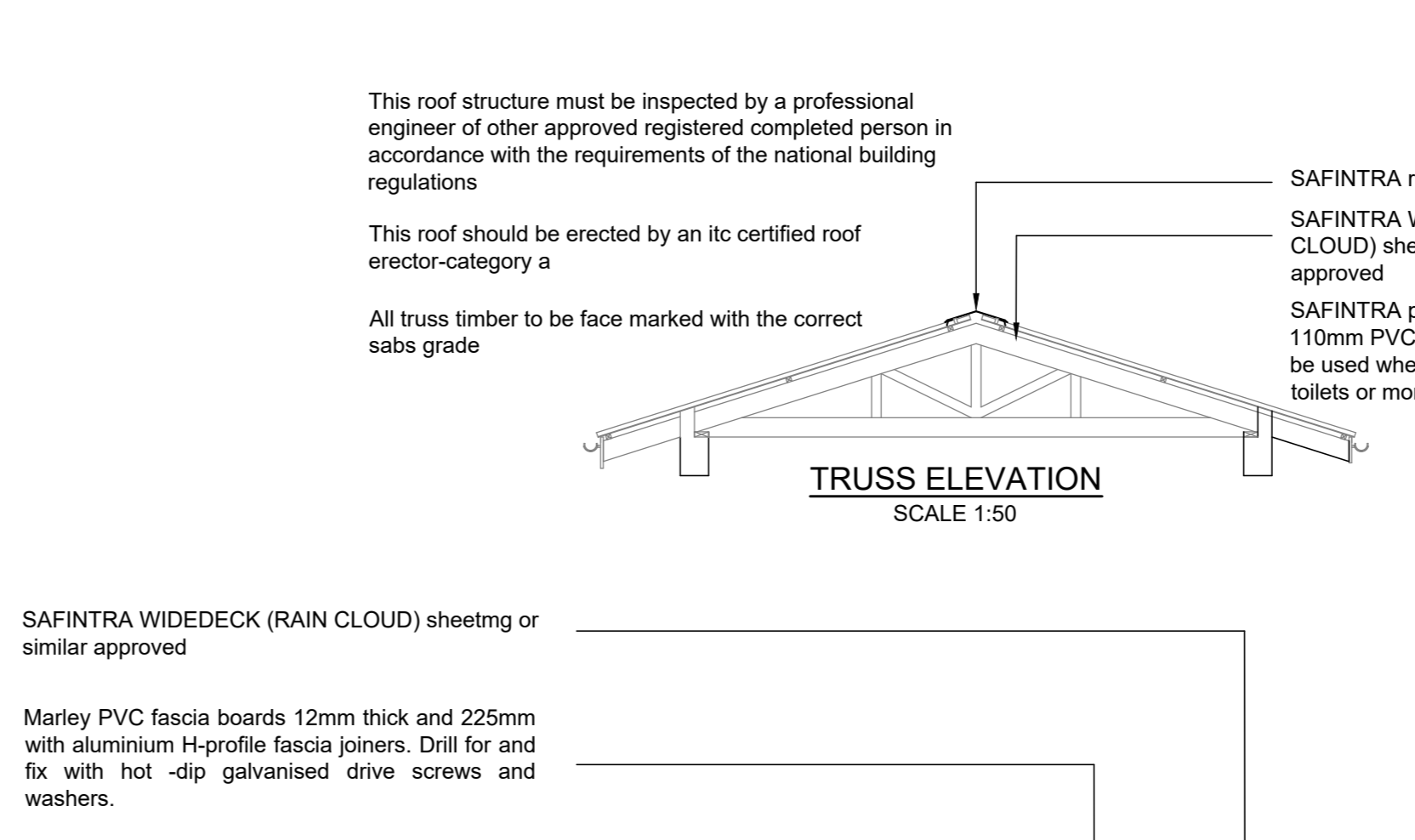
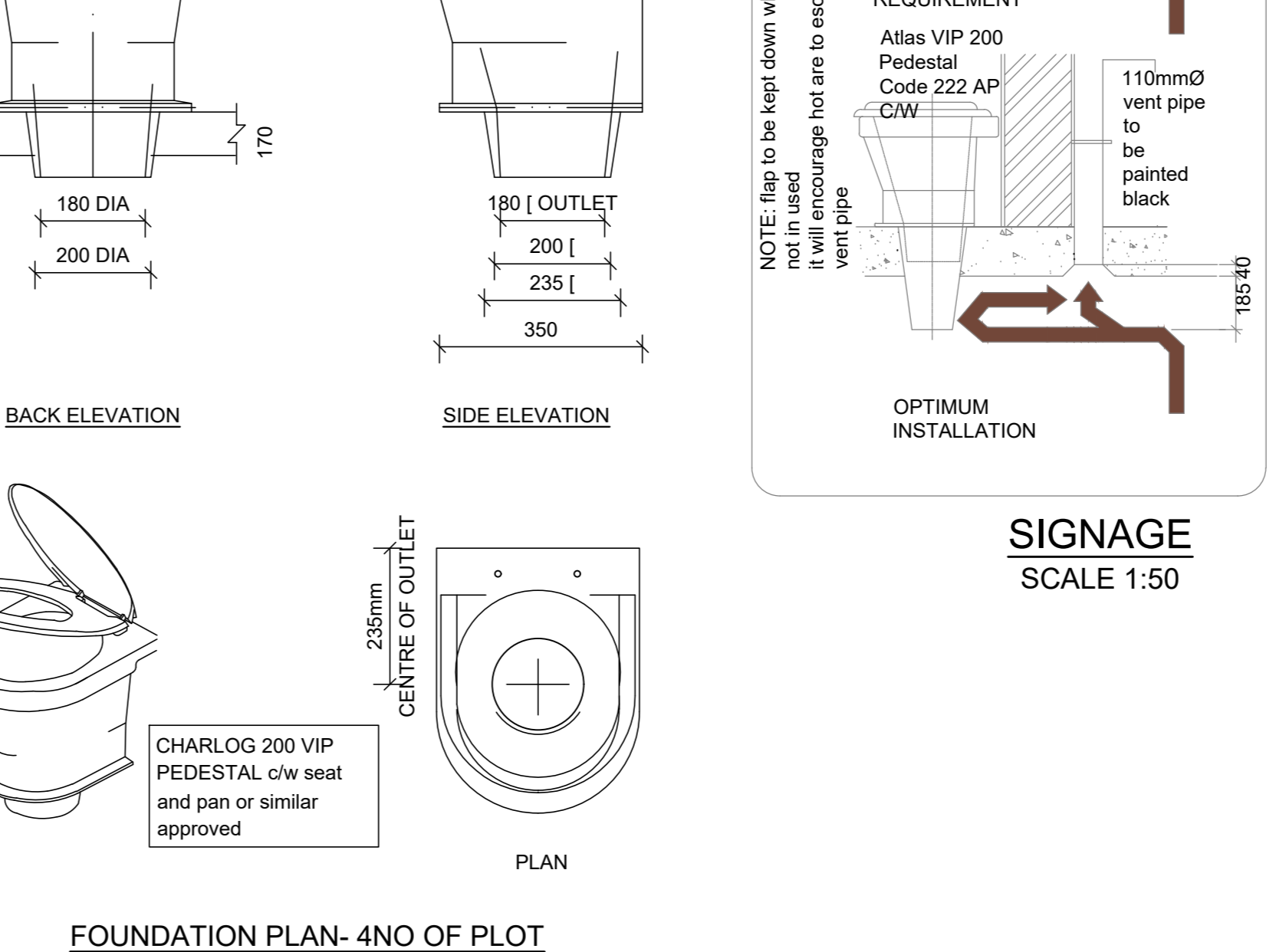
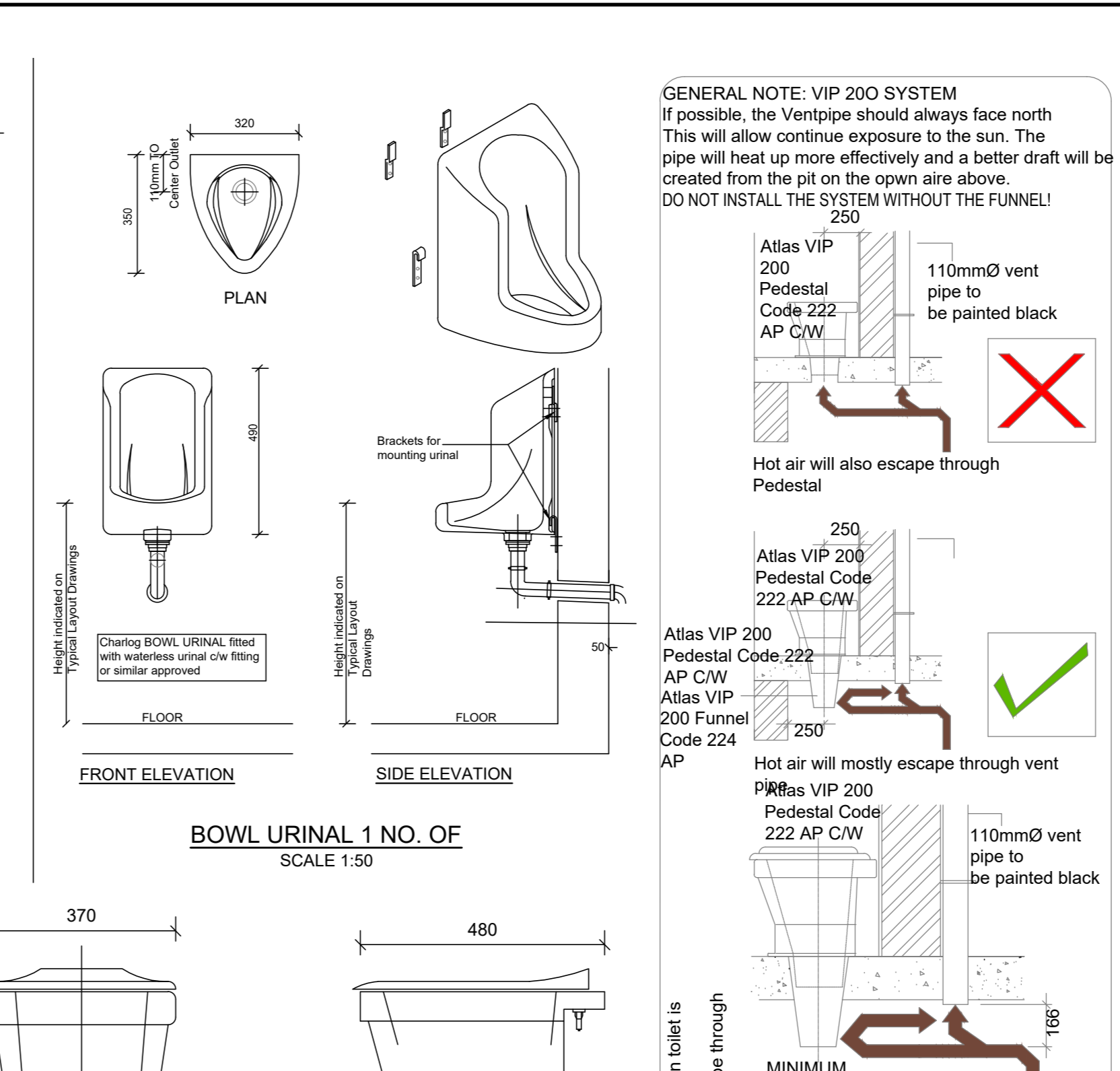
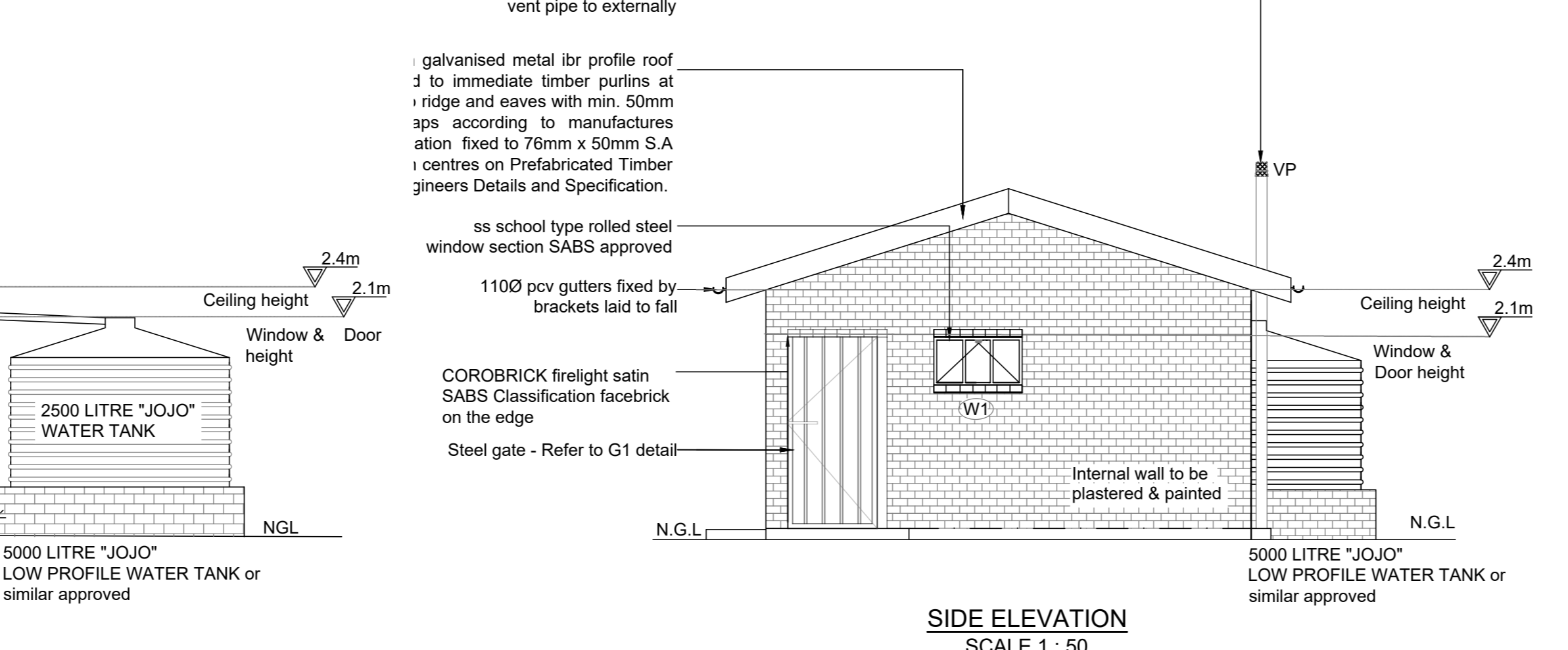
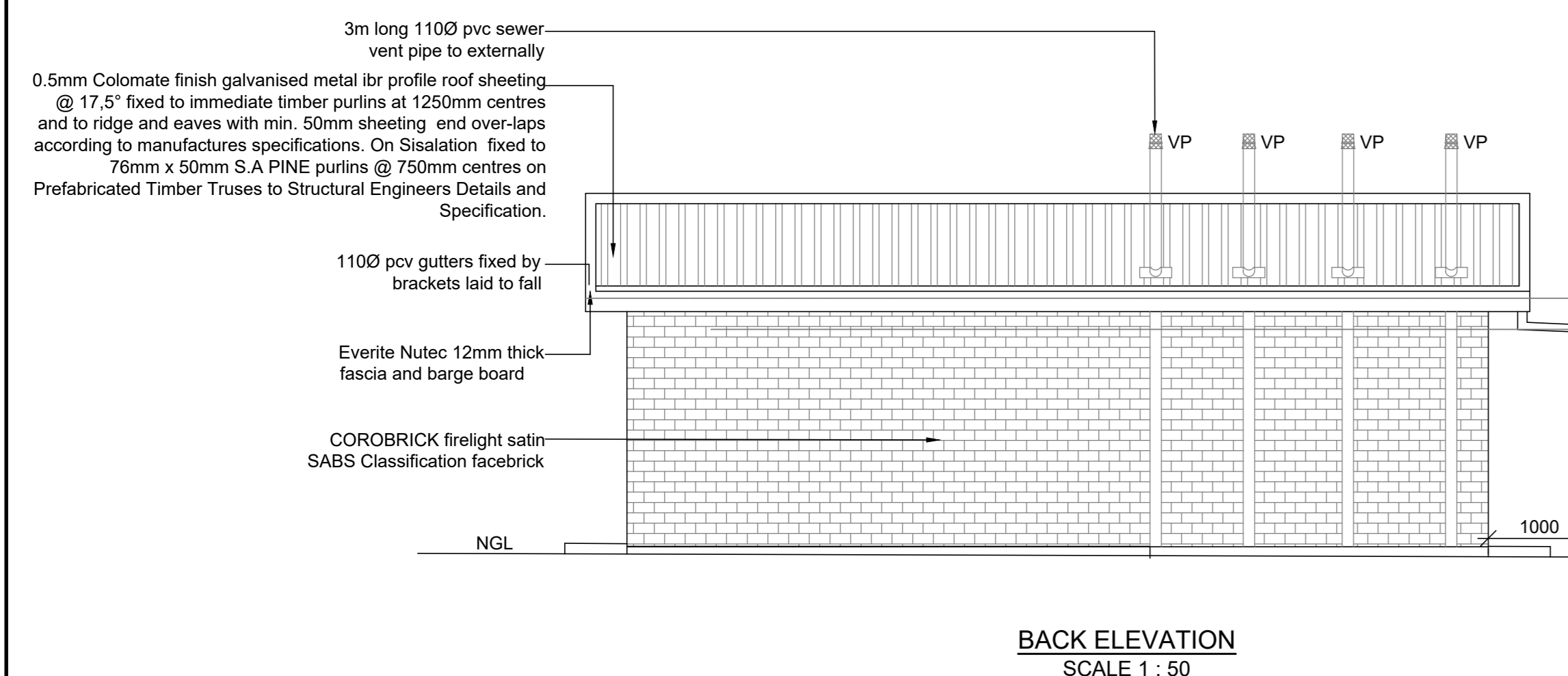
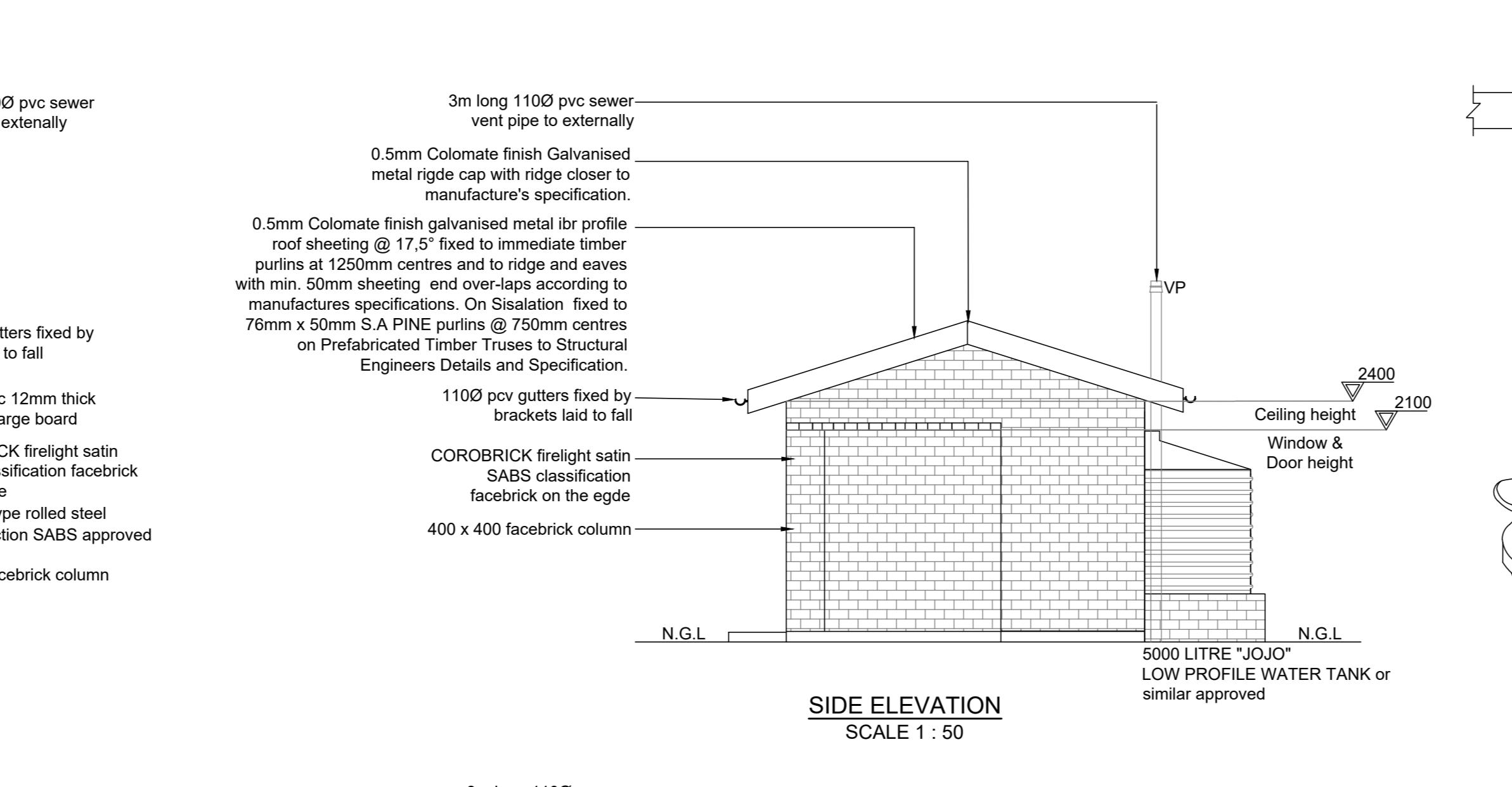
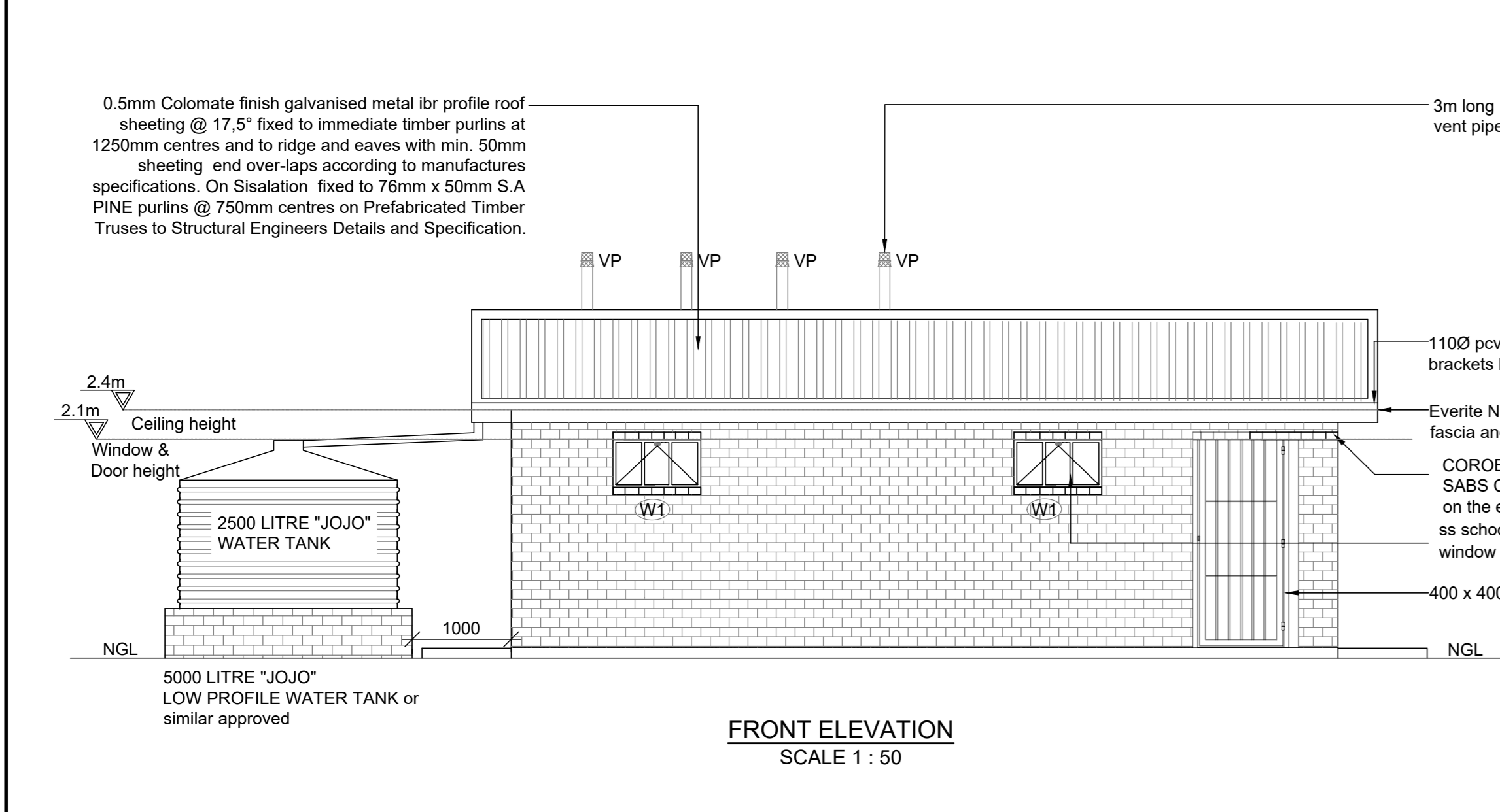
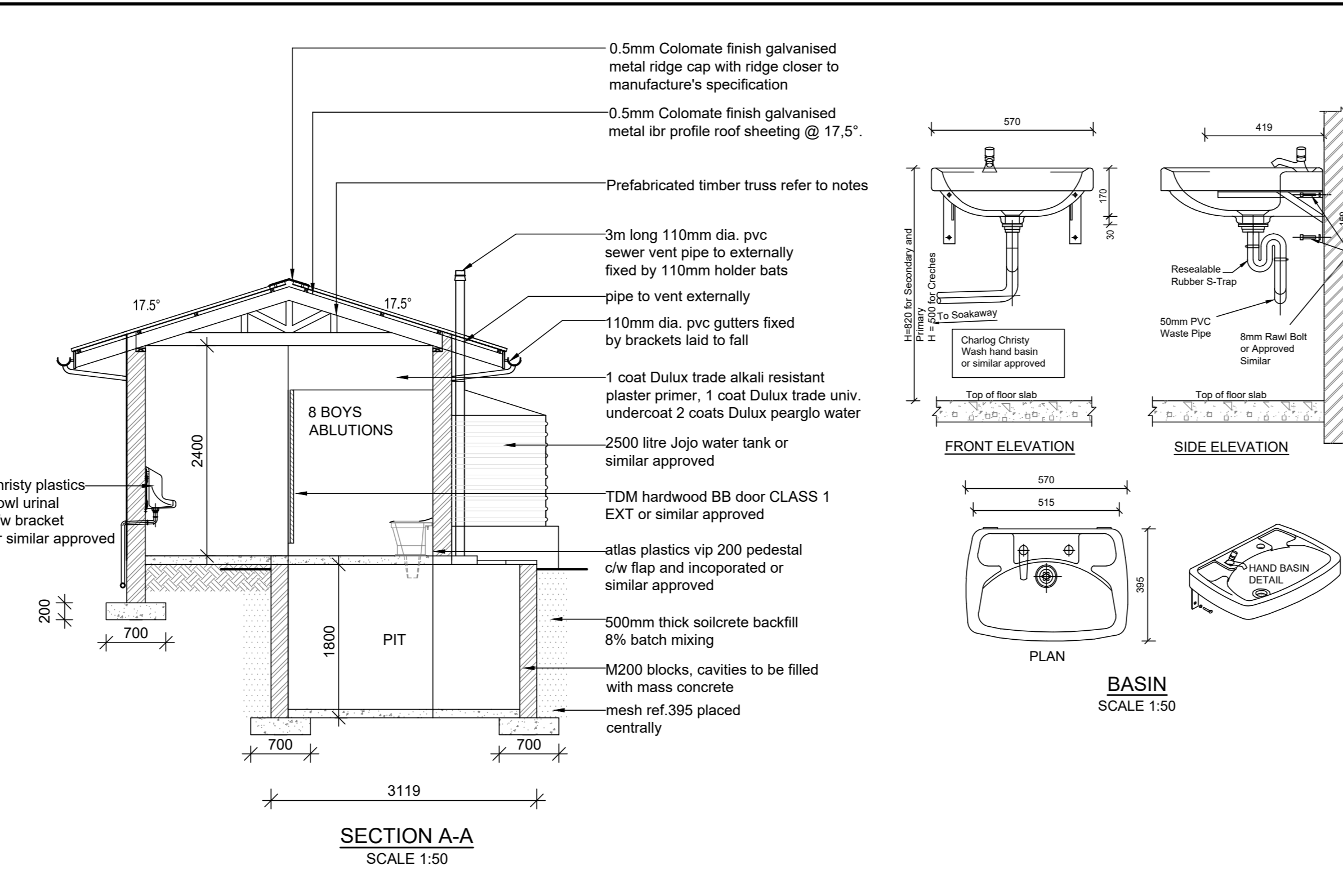
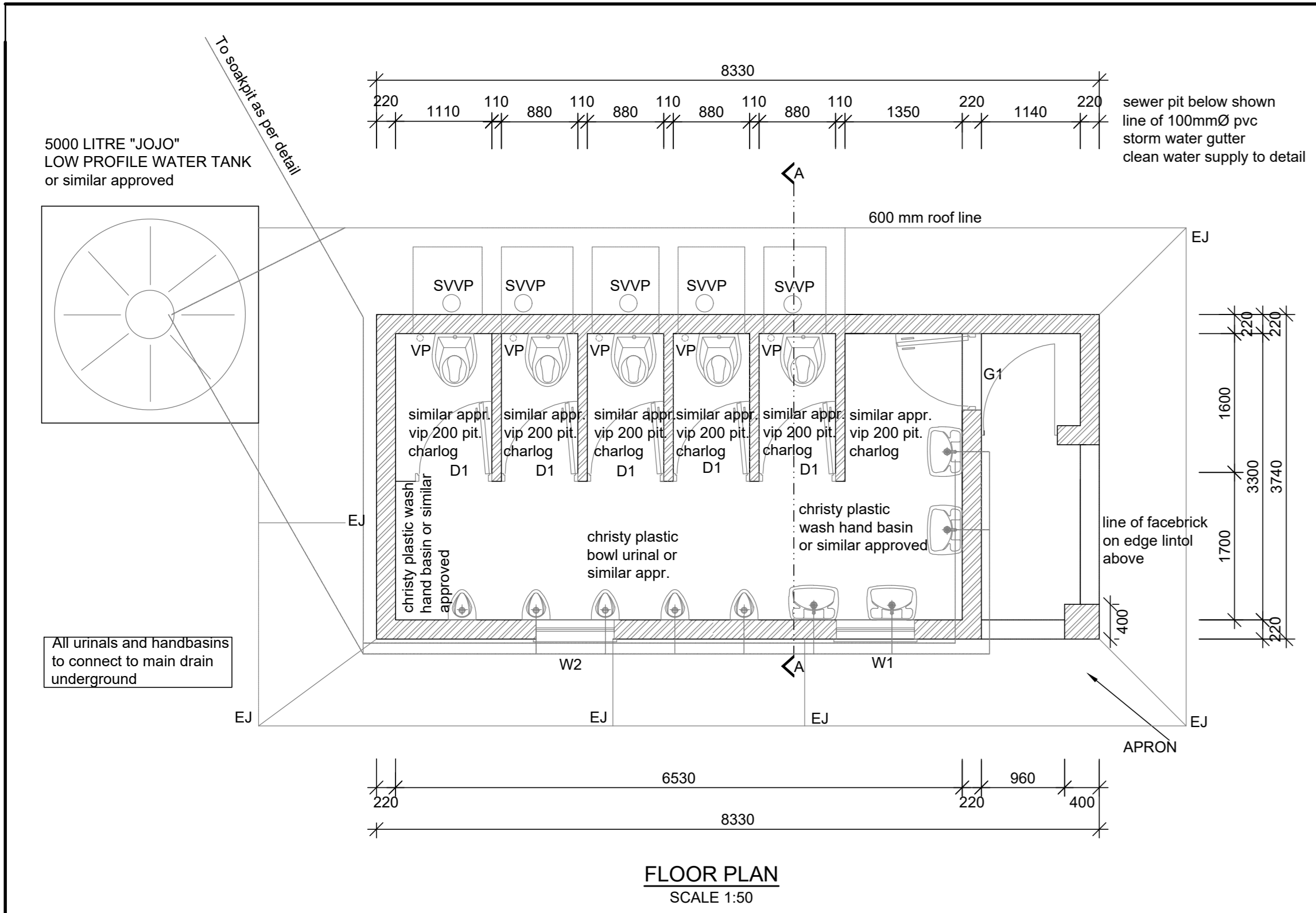
Date : ..... Engineer : .....

UNDERGROUND SERVICES CHECKED -		
SERVICE	DATE	SIGNATURE
S.W DRAINS		
SEWERS		
WATERMANS		
TELECOM CABLES		
ELECTRIC CABLES		
S.A.R CABLES		
E.S.C CABLES		
O.I PIPE LINE		

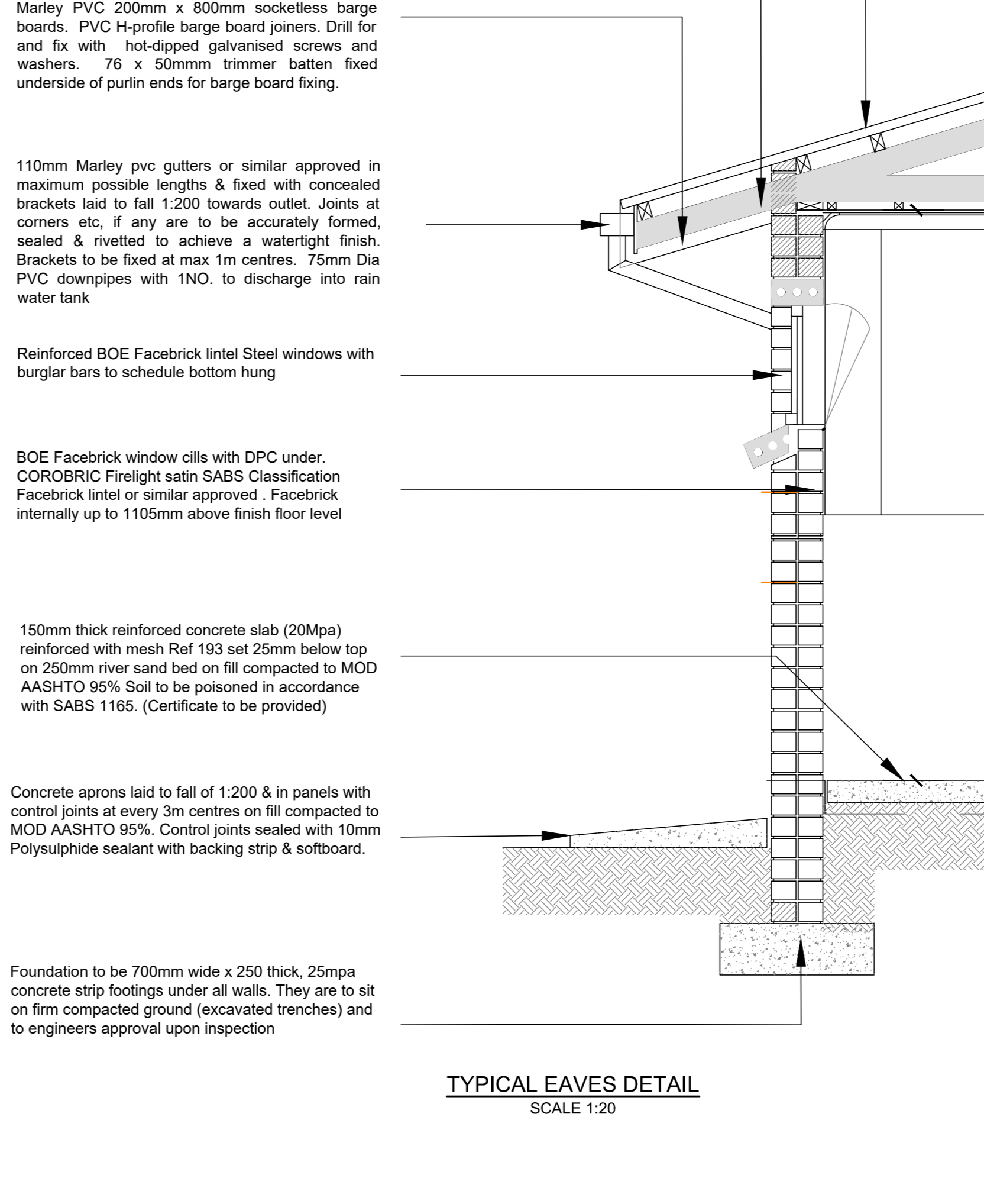
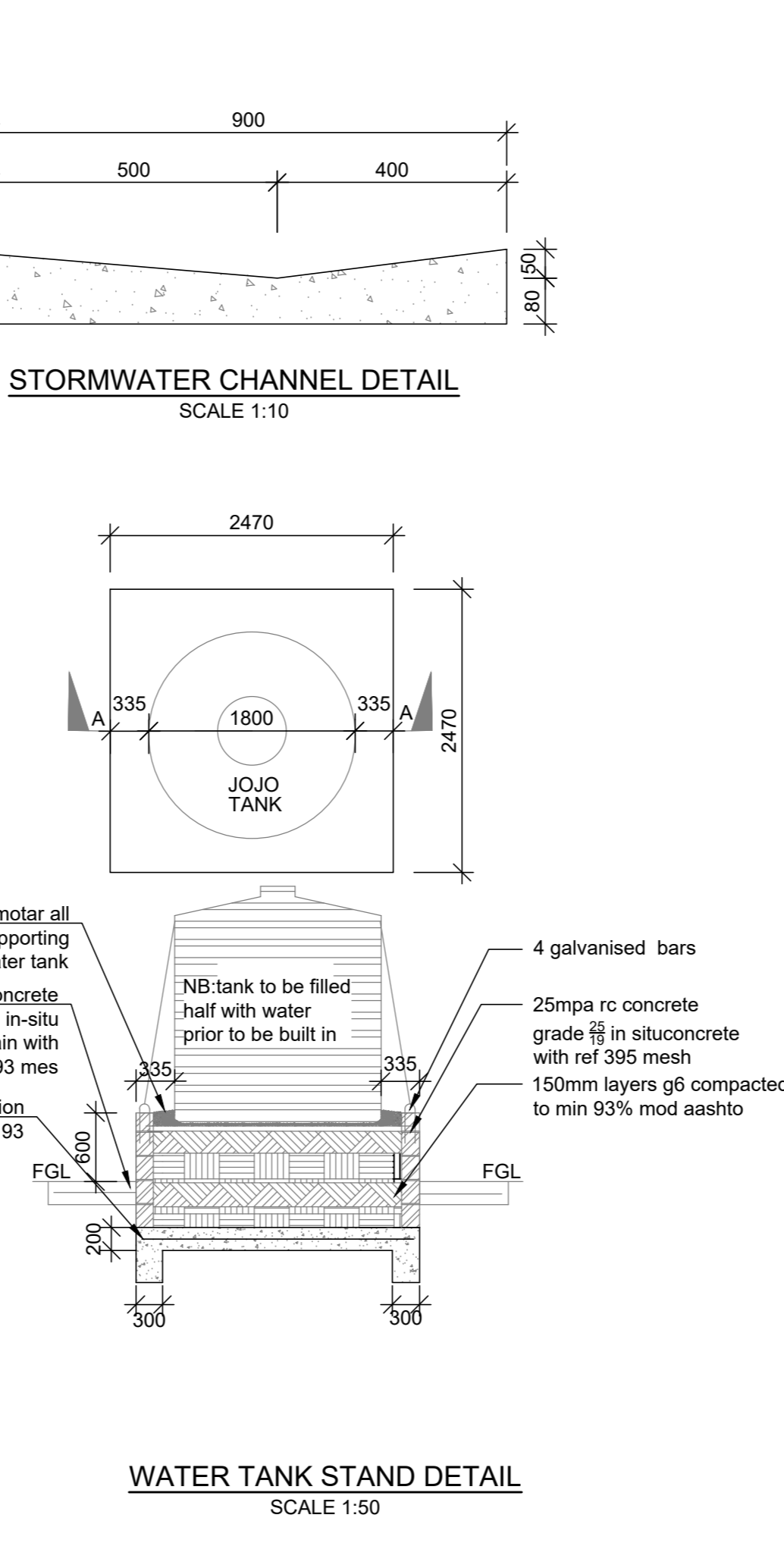
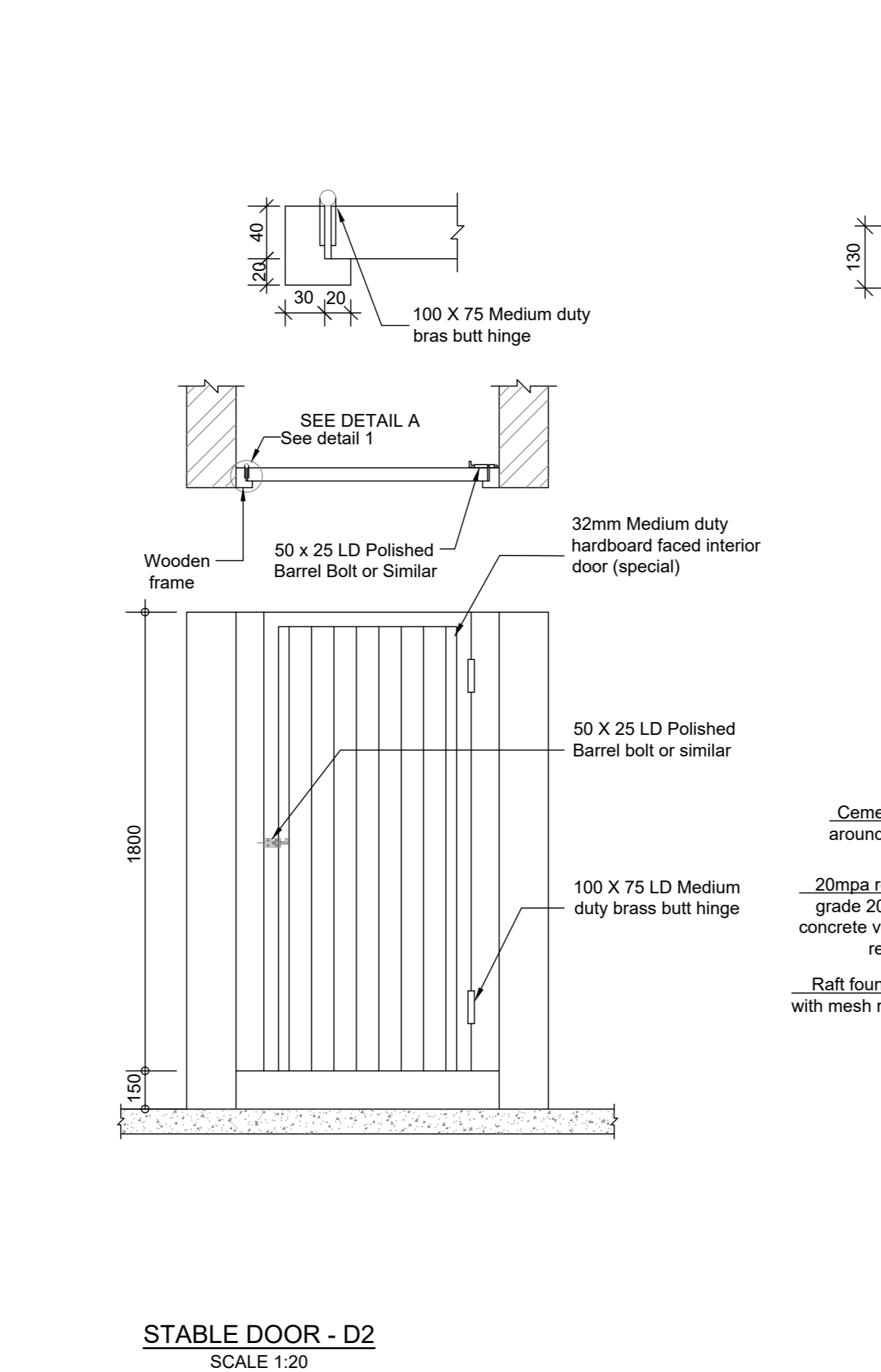
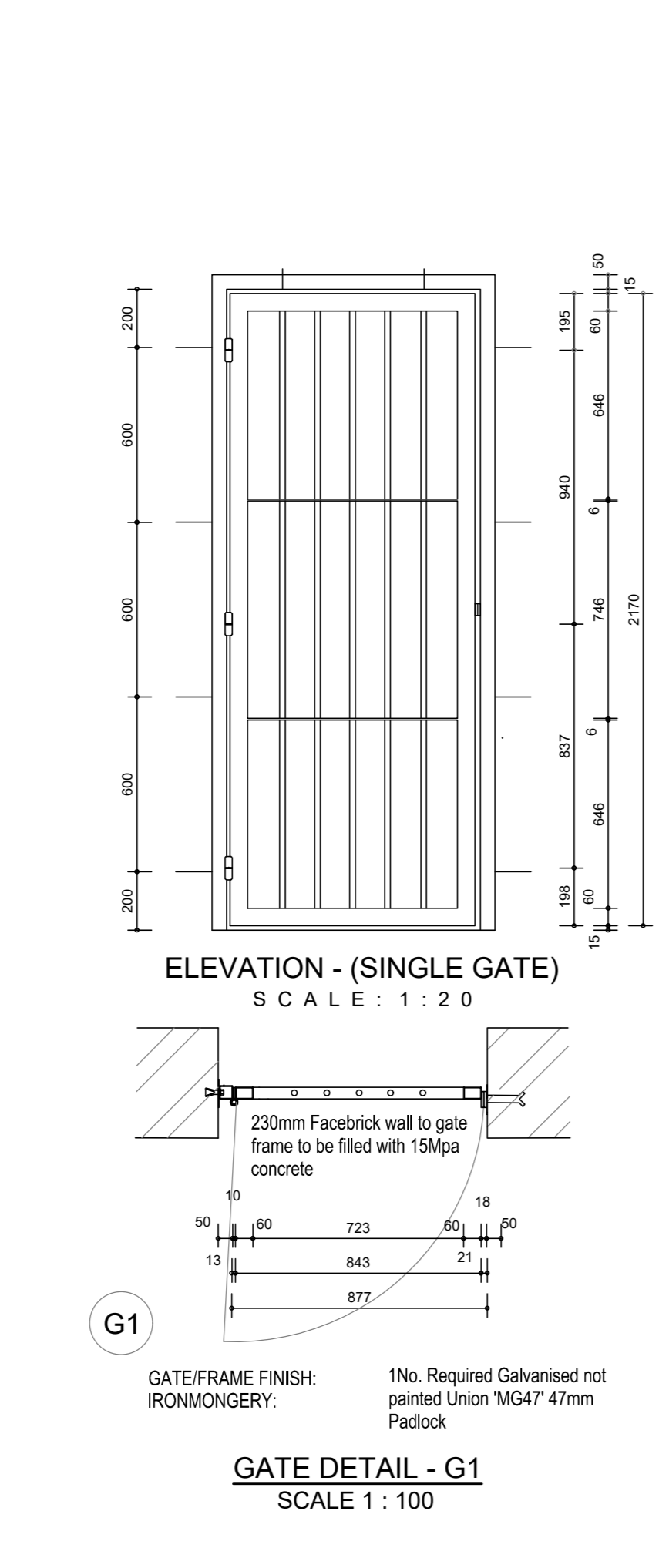
NOTE: Only underground services affected by new construction are shown. Care must be taken during excavations for road foundations, trenches etc. to avoid damage to underground services such as sewers, drains, cables, watermains and connections. Wherever possible these must be located before work begins.

Contract No. WS670  
 Project No. S\_0265\_001  
 Planning Unit  
 Ward No.  
 Project Title  
**ETHEKWINI WATER & SANITATION  
 PROVISION OF WATER & SANITATION  
 SERVICES TO INFORMAL SETTLEMENTS  
 IN ETHEKWINI - PHASE 3**  
 Drawing Title  
**LAMBOTHI SECONDARY SCHOOL  
 TYPE:10B NEW BOYS ABLUTIONS  
 BLOCK LAYOUT SECTION AND  
 DETAILS**

Drawing No.	Sheet	Rev.
S-0265-001-VUV_A-010-002	1 of 1	T0



TYPE:	D2	W1	W2
Refer to plan for handling			
FRAME:	1.2mm galvanized pressed metal 1 No. frame suitable for 230mm wall		
F FINISH:	Galvanized. Not painted.		
DOOR:	2032x2134x10mm TDM hardwood BB doors. SA Pine sub frame with double top and bottom rails, tongue and groove boarding in v. joint rail, 20 x 150mm middle ledge, 20 x 225mm bottom ledge and 20 x 110mm braces.		
D FINISH:	Wood prime, one coat undercoat and two coats glass		
IRONMONGERY:	LOCKS: DORMA D06S Euro-profile cylinder ash lock SS HANDLE: DORMA C630 Lever handle on rectangular Euro-cylinder backplate 61mm centre.		
u/s Lintel:			
TYPE:	No Required: 2	No Required: 10	
FRAME:	Bottom HS school sandblasted glass puttied window sections. SABS approved.		
GLASS:	4mm sandblasted glass puttied in with steel window putty.		
FITTING:	Approved standard brass fittings completed with window.		
B. BARS:	8mmØ bars	8mmØ bars	
FINISH:	Galvanized. No Painting required.		
NOTES:	Courses adjacent to window jambs are to have caulk filled allowing fixing lugs to be built-in		



**GENERAL NOTE: VIP 200 SYSTEM**  
 If possible, the Ventipipe should always face north. This will allow condensation to run down the pipe. The pipe will heat up more effectively and a better draft will be created from the pit on the open air above.  
**DO NOT INSTALL THE SYSTEM WITHOUT THE FUNNEL!**

Atlas VIP 200 Pedestal Code 222 AP C/W  
 Atlas VIP 200 Pedestal Code 222 AP C/W  
 Atlas VIP 200 Pedestal Code 222 AP C/W  
 Atlas VIP 200 Pedestal Code 224 AP

Hot air will also escape through Pedestal  
 Hot air will mostly escape through vent  
 Hot air will mostly escape through vent

**SIGNAGE SCALE 1:50**

MINIMUM REQUIREMENT  
 Atlas VIP 200 Pedestal Code 222 AP C/W  
 Atlas VIP 200 Pedestal Code 224 AP

NOTE: Plan to be kept down when toilet is not in use. Vent pipe to be kept down when toilet is not in use. Vent pipe to be kept down when toilet is not in use.

**CONSTRUCTION NOTES**

- FOUNDATIONS**
  - Foundation to be 700mm wide x 200mm deep concrete strip footing under all walls.
  - They are to sit on firm compacted ground (excavated trenches) to engineers approval upon inspection.
- BACKFILL**
  - Fill & reported fill to be approved clean earth, well watered & rammed in layers not exceeding 150mm in depth and thoroughly consolidated to a density of 95% mod aashto.
- FLOORS**
  - All floors to be in accordance with the National Building Regulations.
- WALLS**
  - All walls are to comply with "Part K" of the National Building Regulations.
  - COROBRIK COMMONS to be used where to receive plaster. COROBRIK ENGINEERING Bricks to be used below ground level. Intermediate steel purins at 1500mm centres and to ridge and eaves purins at 1300mm centres. On Saisilation fixed to 76mm x 50mm S.A PINE purins @ 750mm centres on Prefabricated Timber Trusses to Structural Engineers Details and Specification.
  - Brickwork to every 3rd course up to window head height & masonry all courses from window head to underside of wallplate. Galvanized crimp wire wall ties (7 per square metre - laid staggered).
  - External face of inner skin to be painted bitumen pebble 375 micron embossed damp-proof membrane stepped below all window sills.
  - Where plaster is required internally (13 - 16mm thick) ratio must be 1:2 cement:sand mix. Beam fixing to underside of roofing sheets.
  - Control joints to be provided in accordance with engineers specifications & must be sealed with 12mm deep polysulfide sealant with backing rods and impregnated softfoam.
  - All internal brickwork to have brickdorm at every third course of brickwork.
  - Plaster and / or retaining wall to Structural Engineers details.
  - P.C. Slabs to be installed over all new openings whereas walls to be plastered and painted.
- ROOF**
  - Safintra 0.5mm thick A2152Dral Widesek profile roof sheeting. Need to intermediate steel purins at 1500mm centres and to ridge and eaves purins at 1300mm centres. The profile shall be reinforced with trapezoidal ribs at 19mm centres with a nail cover of 760mm.
  - The height shall be 20mm and shall be fixed in accordance with the manufacturer's recommendations.
  - Widesek sheeting the recommended minimum pitch for slopes in excess of 15m is 10° and for slopes less than 15m is 5°.
  - Widesek sheeting can be ordered in any length, subject to transport limitations up to 13.2m. Longer lengths require special transport arrangements.
  - Purins spacings are dependent on both downward loading and negative suction loading caused by wind. The engineer should be consulted to calculate the load (kNm/m) for particular application.
  - Refer to Civil drawings for water and sewer pipes internal walls to be plastered and painted.