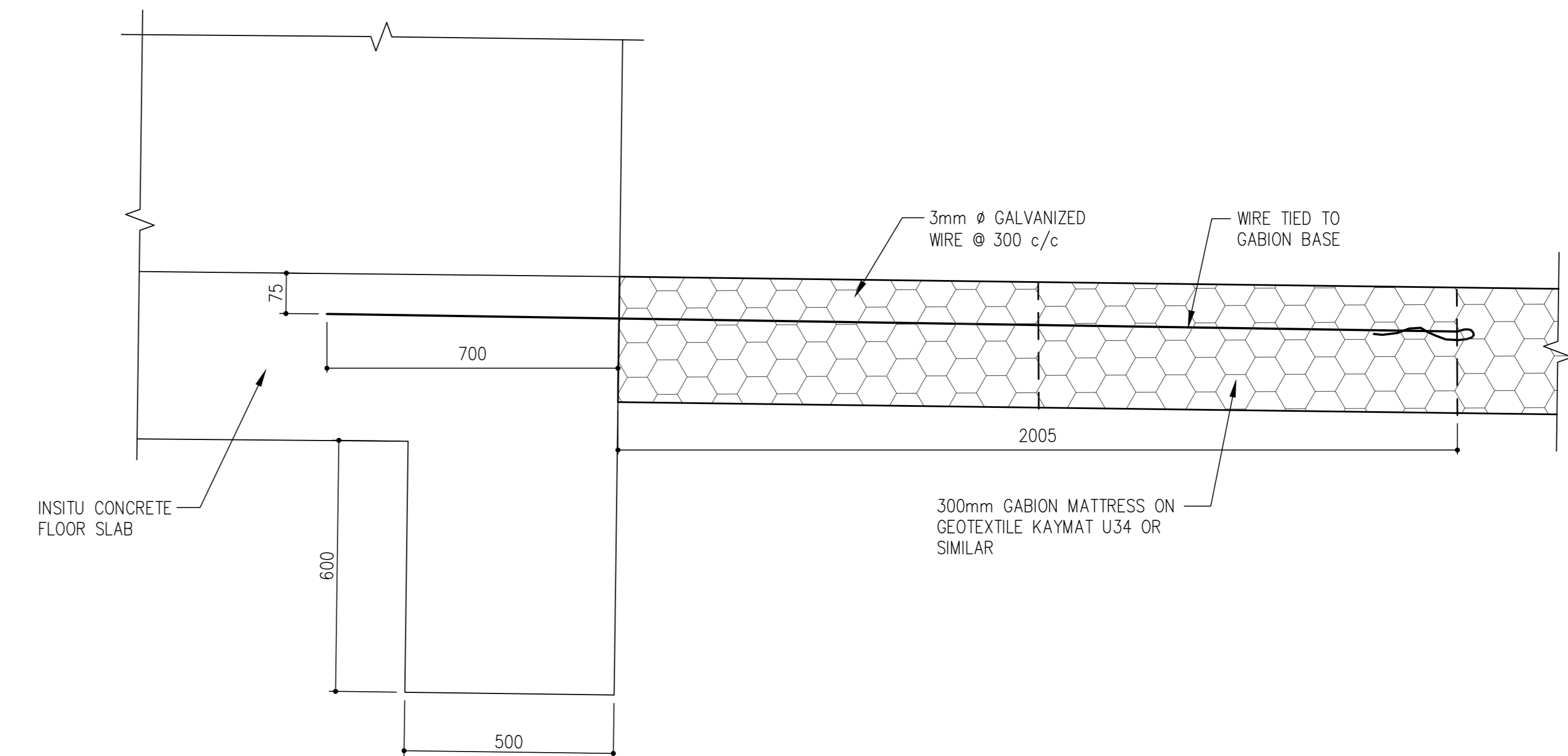
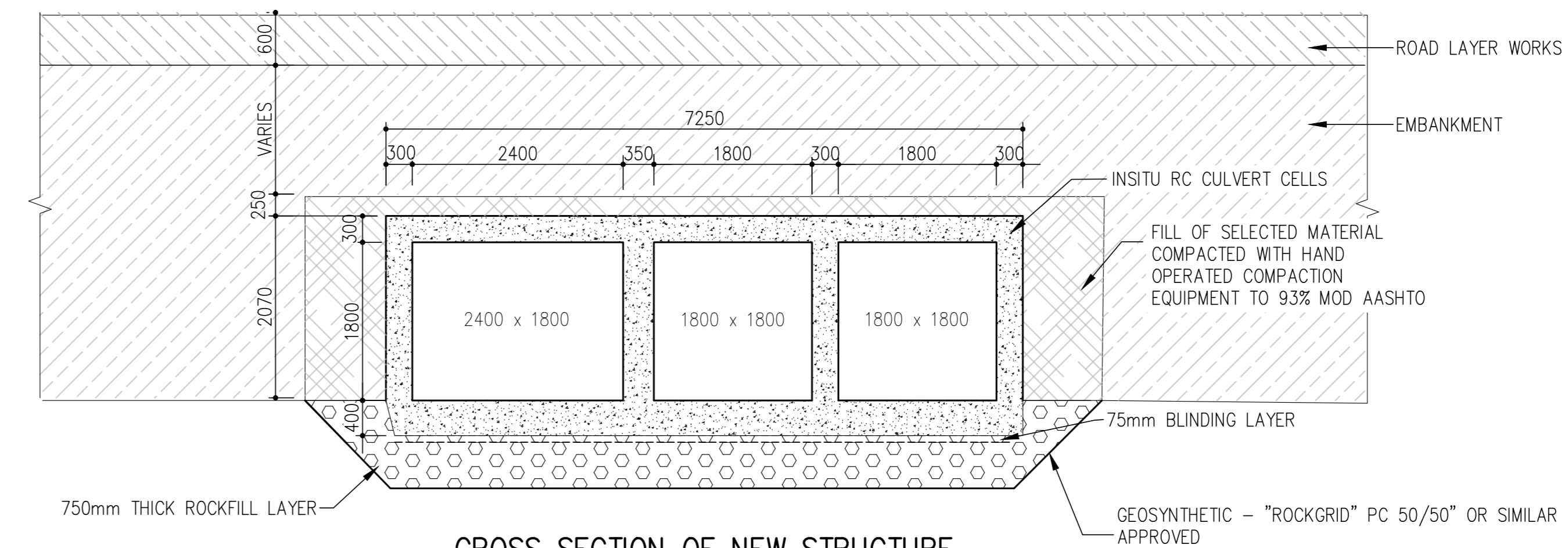


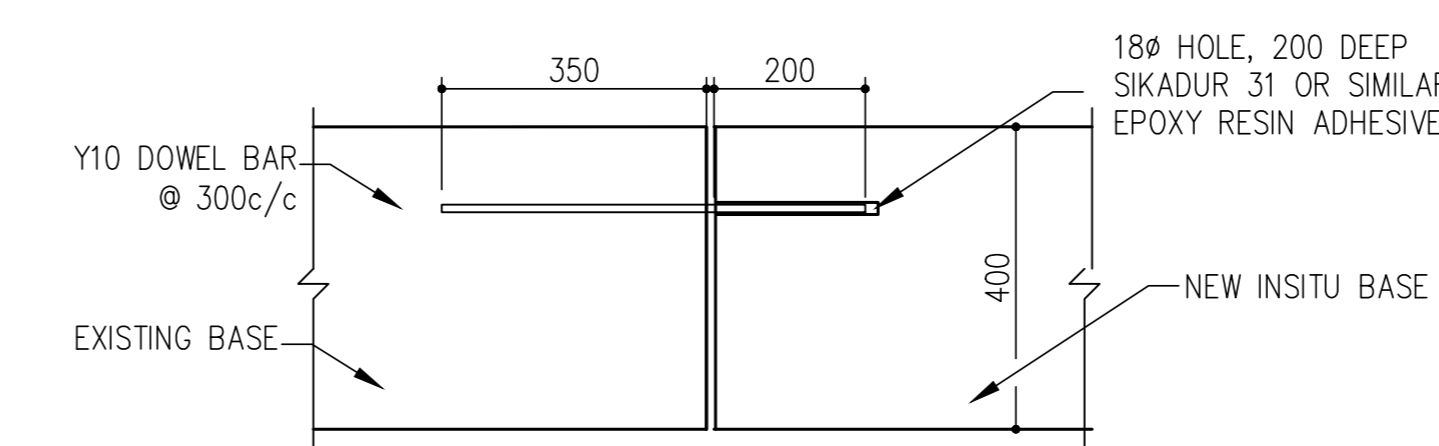
PLAN OF STRUCTURE  
SCALE 1:100



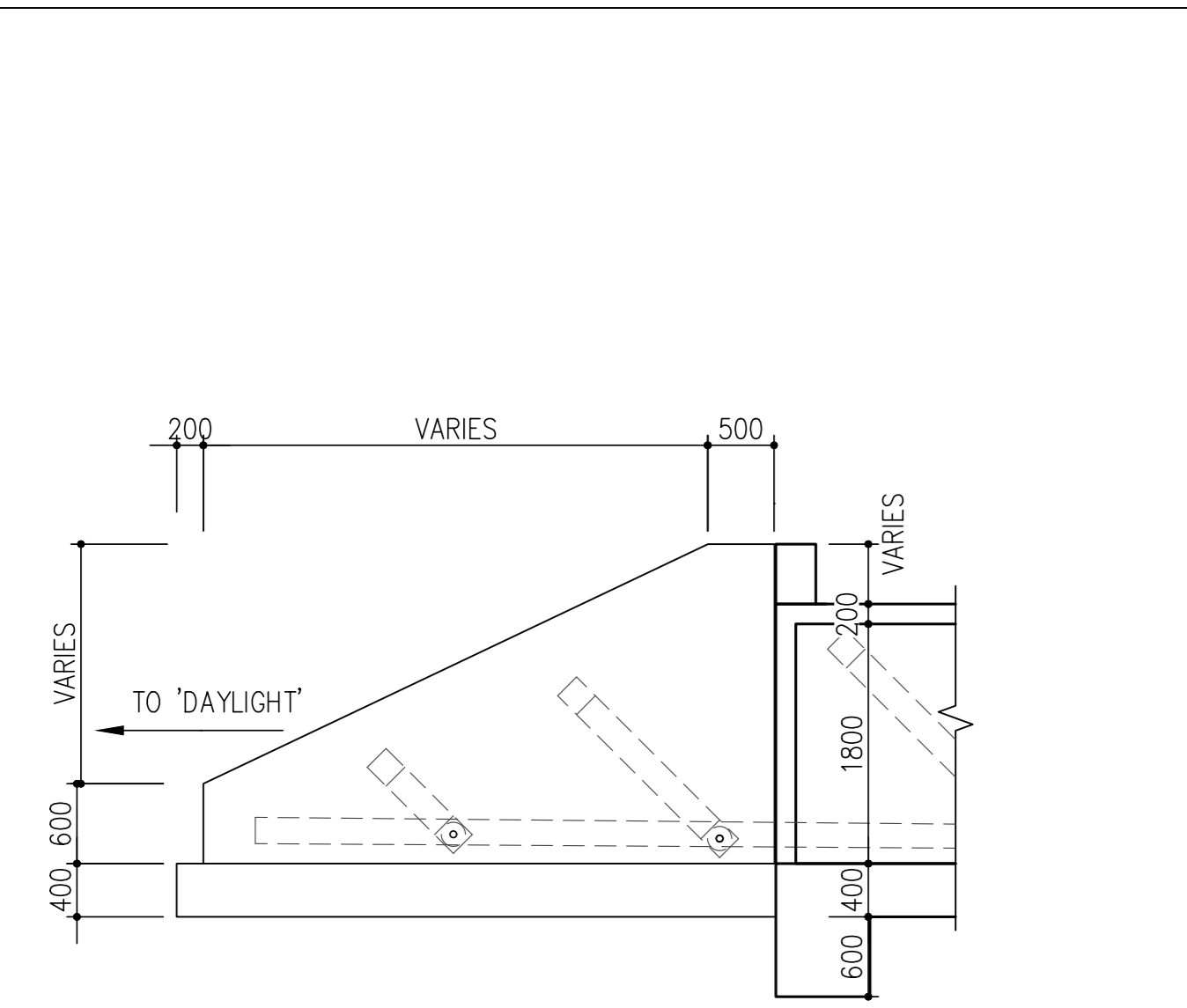
ANCHORAGE OF GABIONS TO OUTLET STRUCTURE  
SCALE 1:10



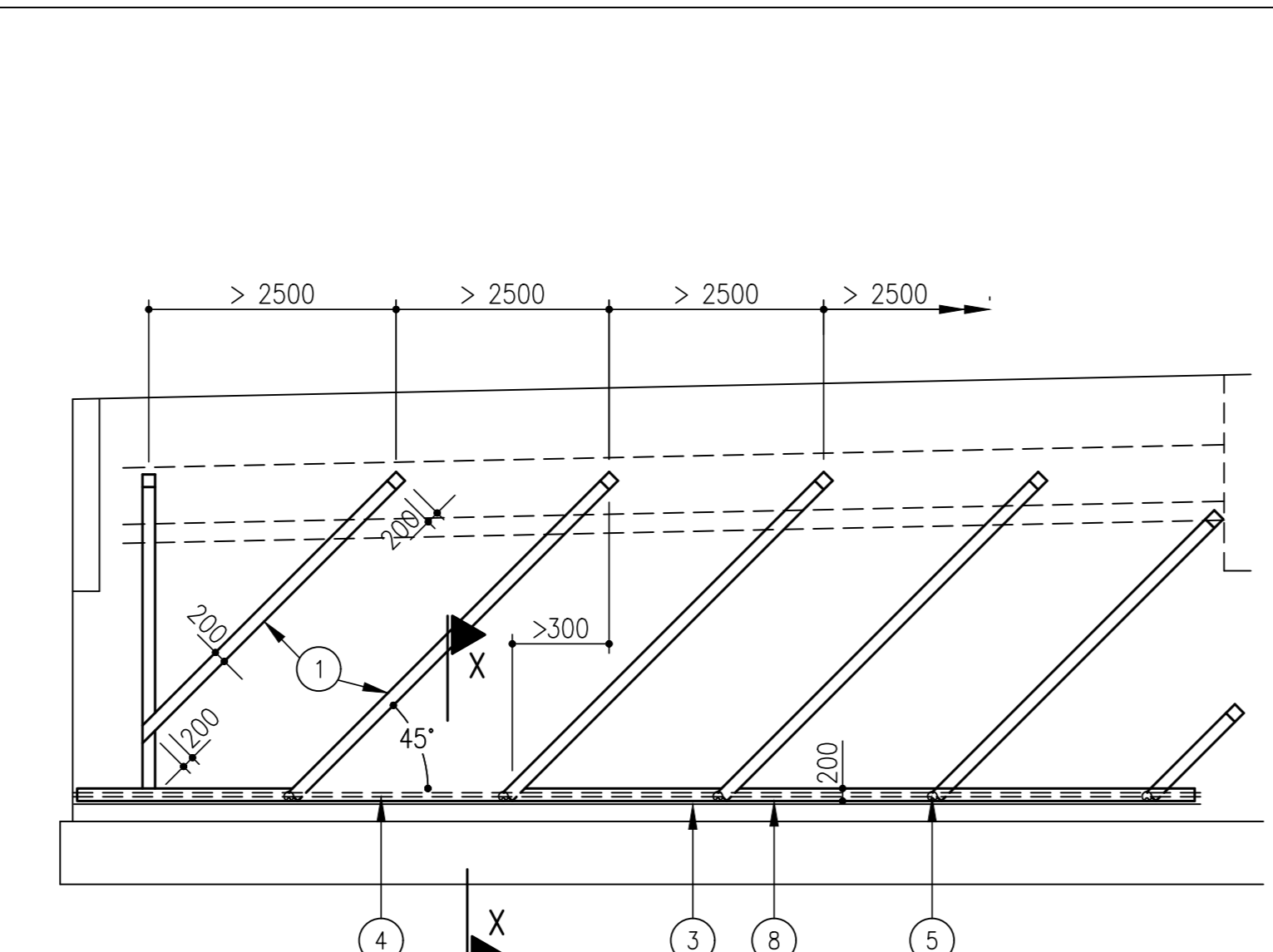
CROSS SECTION OF NEW STRUCTURE  
TYPICAL BOX CULVERT  
SCALE 1:50



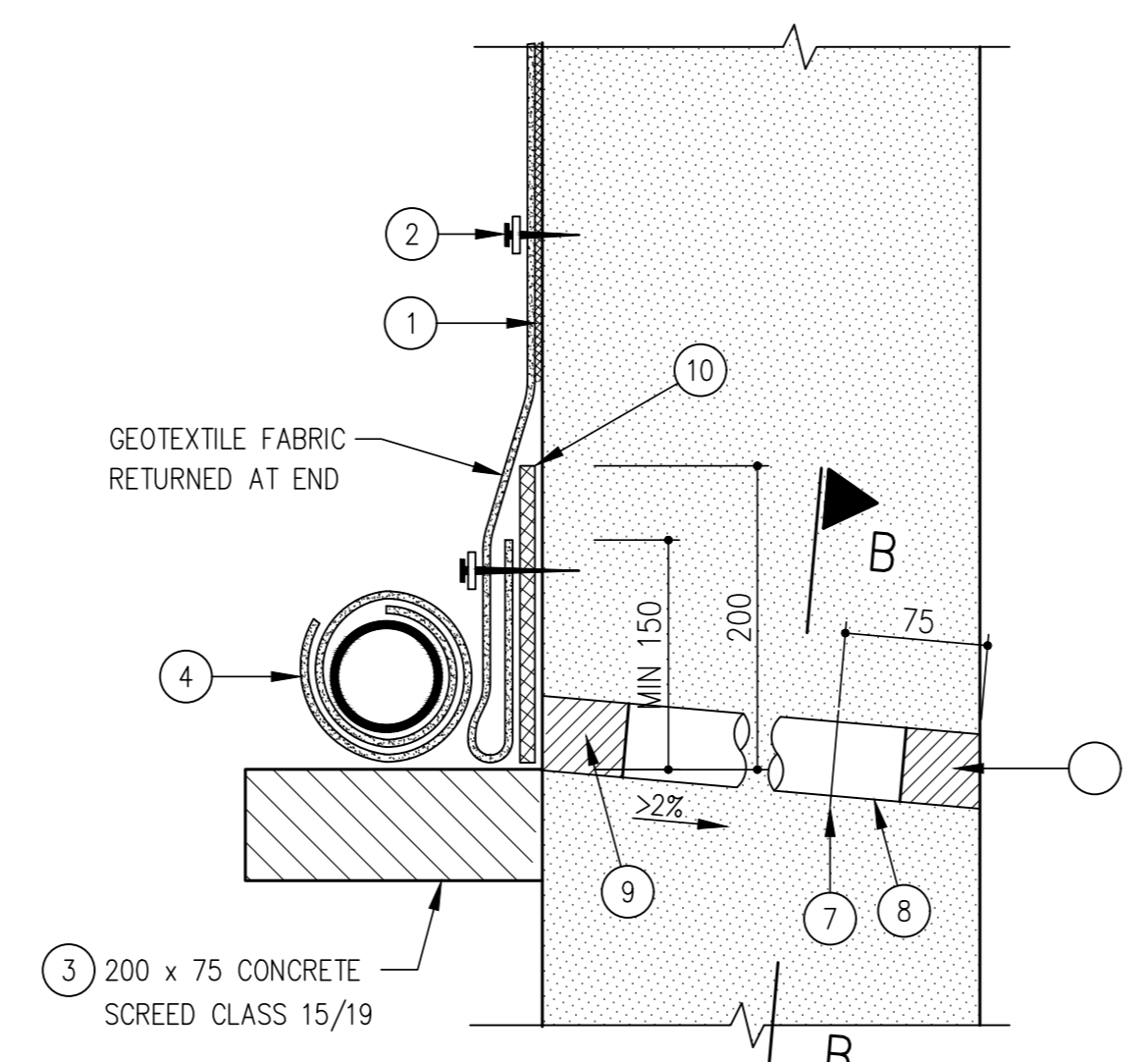
BASE DOWEL BAR DETAIL  
SCALE 1:10



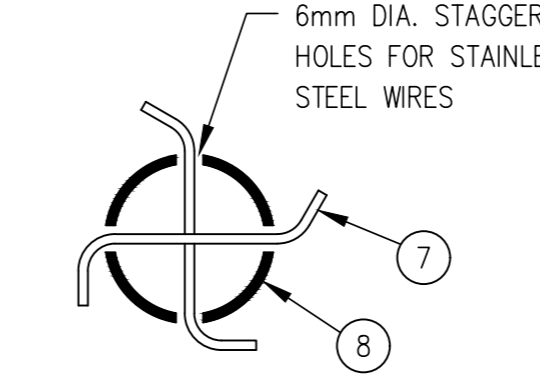
TYPICAL SECTION OF FILTER ELEMENTS IN RETAINING WALL  
SCALE 1:50



REAR ELEVATION - TYPICAL ARRANGEMENT OF  
FILTER ELEMENTS AND DRAINAGE PIPES  
SCALE 1:100



SECTION X-X  
SCALE 1:5



SECTION B-B  
SCALE 1:2.5

- LEGEND:**
- 1 - 200mm WIDE FILTER ELEMENTS SECURED TO BACK FACE OF STRUCTURE AT 45° SLOPE. (NETLON DN1 WRAPPED IN KAYMAT U34)
  - 2 - CONCRETE NAILS WITH 25 x 25mm HOOP IRON WASHERS TO SECURE FILTER ELEMENTS TO STRUCTURE AT ± 1 000mm CENTRES.
  - 3 - CONCRETE SCREED TO GRADE AND LEVEL OF DRAINAGE PIPES PRIOR TO PLACING OF DRAINAGE PIPES.
  - 4 - 65mm dia PERFORATED DRAINAGE PIPES WRAPPED IN GEOTEXTILE. THE GEOTEXTILE SHALL HAVE AN OVERLAP OF NOT LESS THAN 150mm AND BE TIED AT CENTRES NOT GREATER THAN 200mm.
  - 5 - EXTENSION TO PERFORATED DRAINAGE PIPE DISCHARGING AT TOE OF ROAD EMBANKMENT OR INTO ROAD DRAINAGE. (ALTERNATIVE FOR 50mm dia WEEPHOLES - ITEM 8)
  - 6 - ± 150mm dia OPENING FORMED IN STRUCTURE FOR ALTERNATIVE ITEM 5.
  - 7 - 3,15mm dia STAINLESS STEEL WIRE BARRIER.
  - 8 - 50mm dia uPVC WEEPHOLES AT CENTRES NOT GREATER THAN 5,0m. THE CONTRACTOR SHALL ENSURE THAT THE WEEPHOLES ARE CLEAR AND APPROVED BY THE ENGINEER BEFORE THE FILTER ELEMENTS ARE INSTALLED.
  - 9 - TEMPORARY POLYSTYRENE PLUG TO PREVENT INGRESS OF GROUT DURING PLACING OF THE CONCRETE.
  - 10 - 200mm WIDE FILTER ELEMENT SECURED TO BACK FACE OF STRUCTURE AT SAME GRADE AS WEEPHOLES (ITEM 8).

<p>CONSTRUCTION RECORD (AS-BUILT) WORKS CONTRACT ENGINEER</p> <p>Name: _____ Prof. Reg. No.: _____ Date: _____</p> <p>SANRAL PROJECT MANAGER</p> <p>Name: _____ Date: _____</p>		<p><b>ilifa</b> AFRICA ENGINEERS</p> <p>35A Piet Retief Street PO Box 802 Harrismith 9880 Tel: 058 623 1297 Fax: 058 623 0827 E-mail: harrismith@ilifa.biz</p>		<p><b>TEP (PTY) LTD.</b> 6 DRAVENY STREET LYNWOOD MANOR 0081 RSA TEL : 072 648 2961 EMAIL : ulrich@tep.co.za</p>		<p>DESIGNED BY NAME: U DROTSKY Prof. Reg. No.: 2078941 CHECKED BY NAME: U DROTSKY Prof. Reg. No.: 2078941 DRAWN BY NAME: NN SAMUELS</p>		<p>CONSULTANT APPROVAL</p> <p>Name: _____ Prof. Reg. No.: _____ Date: _____</p>		<p>HEAD OFFICE 48 Tambotie Avenue Val de Grace Pretoria 0184 PO Box 415 Pretoria 0001 South Africa Tel: (012) 844 8000</p>		<p><b>SANRAL</b> BUILDING SOUTH AFRICA THROUGH BETTER ROADS</p>		<p>NORTHERN REGION 38 Ida Street Menlo Park Pretoria 0081 Private Bag X17 Lynnwood Ridge 0040 Tel: (012) 426 6200</p>		<p>ACCEPTANCE</p> <p>THIS ACCEPTANCE IS FOR PROCEDURAL AND ADMINISTRATIVE REVIEW PURPOSES ONLY AND DOES NOT ATTRACT LEGAL LIABILITY OR LIABILITY OF ANY KIND FROM WHATSOEVER CAUSE OR HOWEVER ARISING</p> <p>for the SA NATIONAL ROADS AGENCY SOC LTD. Date: _____</p>		<p>PROJECT DESCRIPTION DILPS : IMPROVEMENT ON NATIONAL ROAD R52 SECTION 3 FROM KOSTER (KM 0.00) TO N4 RUSTENBURG (KM 38.70)</p> <p>CULVERT C4606 AT KM 5.075 GENERAL ARRANGEMENTS</p>		<p>PROJECT NUMBER R.052-030-2020/1</p>		<p>DRAWING LOCATION DATA</p> <table border="1"> <tr> <th>ROUTE</th> <th>START</th> <th>END</th> </tr> <tr> <td>R.052</td> <td>03</td> <td>R.052 03</td> </tr> <tr> <td>DRAWING km DISTANCE</td> <td>0</td> <td>38.7</td> </tr> <tr> <td>DRAWING TYPE</td> <td colspan="2">STRUCTURES - BRIDGES</td> </tr> <tr> <td>BRIDGE/STRUCTURE No.</td> <td colspan="2">-</td> </tr> <tr> <td>CONSULTANT DRAWING No.</td> <td>BWS-001</td> <td>VER V1</td> </tr> <tr> <td>SANRAL DOCUMENT #</td> <td colspan="2">-</td> </tr> </table>		ROUTE	START	END	R.052	03	R.052 03	DRAWING km DISTANCE	0	38.7	DRAWING TYPE	STRUCTURES - BRIDGES		BRIDGE/STRUCTURE No.	-		CONSULTANT DRAWING No.	BWS-001	VER V1	SANRAL DOCUMENT #	-		<p>SCALE : AS</p> <p>SHEET 1 OF 1</p>	
ROUTE	START	END																																												
R.052	03	R.052 03																																												
DRAWING km DISTANCE	0	38.7																																												
DRAWING TYPE	STRUCTURES - BRIDGES																																													
BRIDGE/STRUCTURE No.	-																																													
CONSULTANT DRAWING No.	BWS-001	VER V1																																												
SANRAL DOCUMENT #	-																																													