

CAPRICORN DISTRICT MUNICIPALITY

CAPRICORN
DISTRICT MUNICIPALITY



BLOUBERG
NORTH CLUSTER-PHASE 3

GROOTPAN, SIAS, GA-RAMASWIKANA, LONGDEN AND
GA-MMAMOLEKA RURAL WATER SUPPLY,(SOUTH CLUSTER), IN
THE BLOUBERG LOCAL MUNICIPALITY OF CAPRICORN DISTRICT
MUNICIPALITY - LIMPOPO PROVINCE

ISSUED FOR TENDER

MARCH 2025

PREPARED BY :



CHIEFTON KITSO CONSULTING

UNIT 5, SOLA FIDE FORUM,
79A BICCARD STREET,
POLOKWANE 0699
PO BOX 67078,
HIGHVELD,
CENTURION 0169
TEL : 087 700 2654
FAX : 086 520 7096

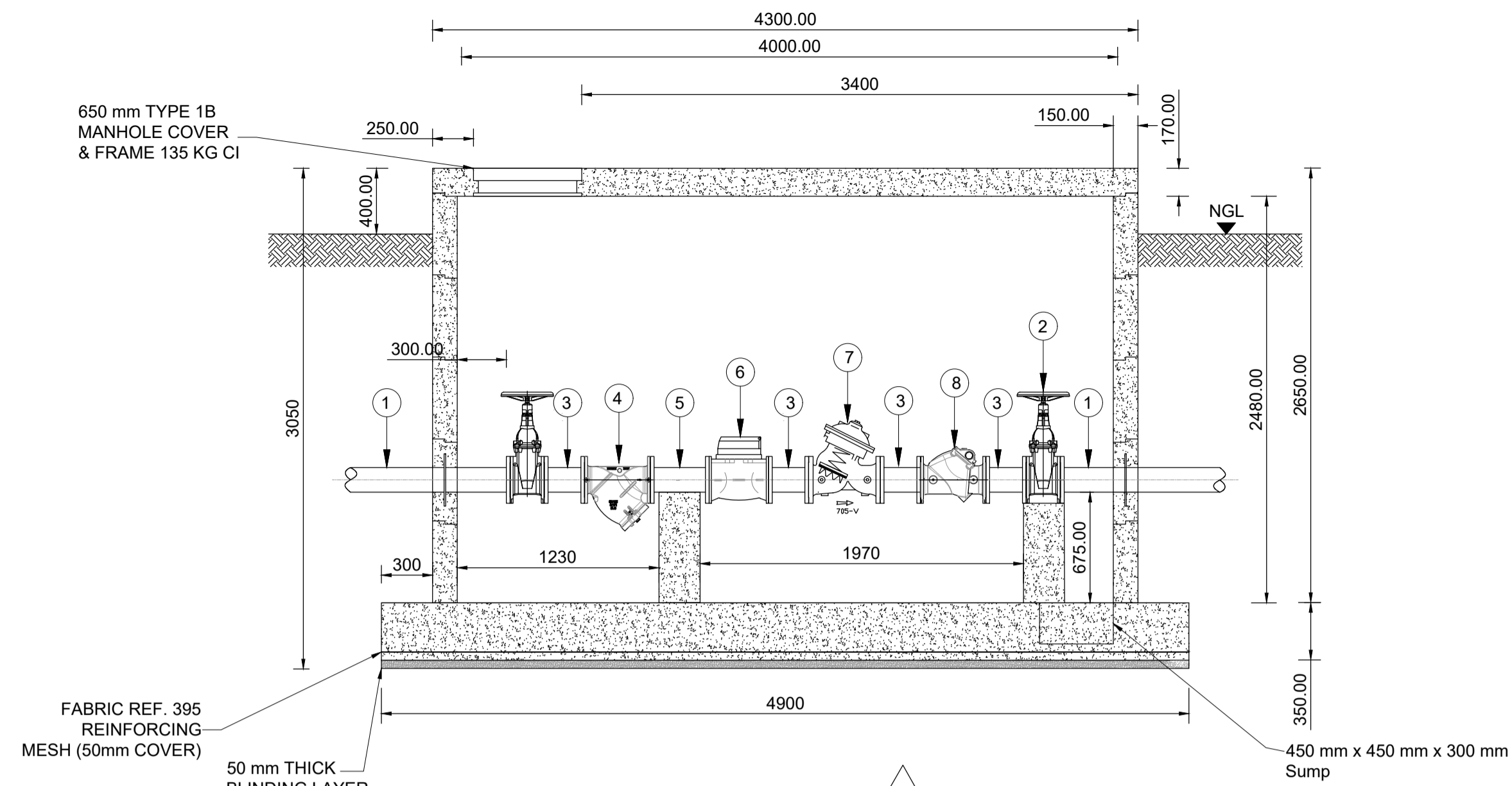
PREPARED FOR :

CAPRICORN
DISTRICT MUNICIPALITY

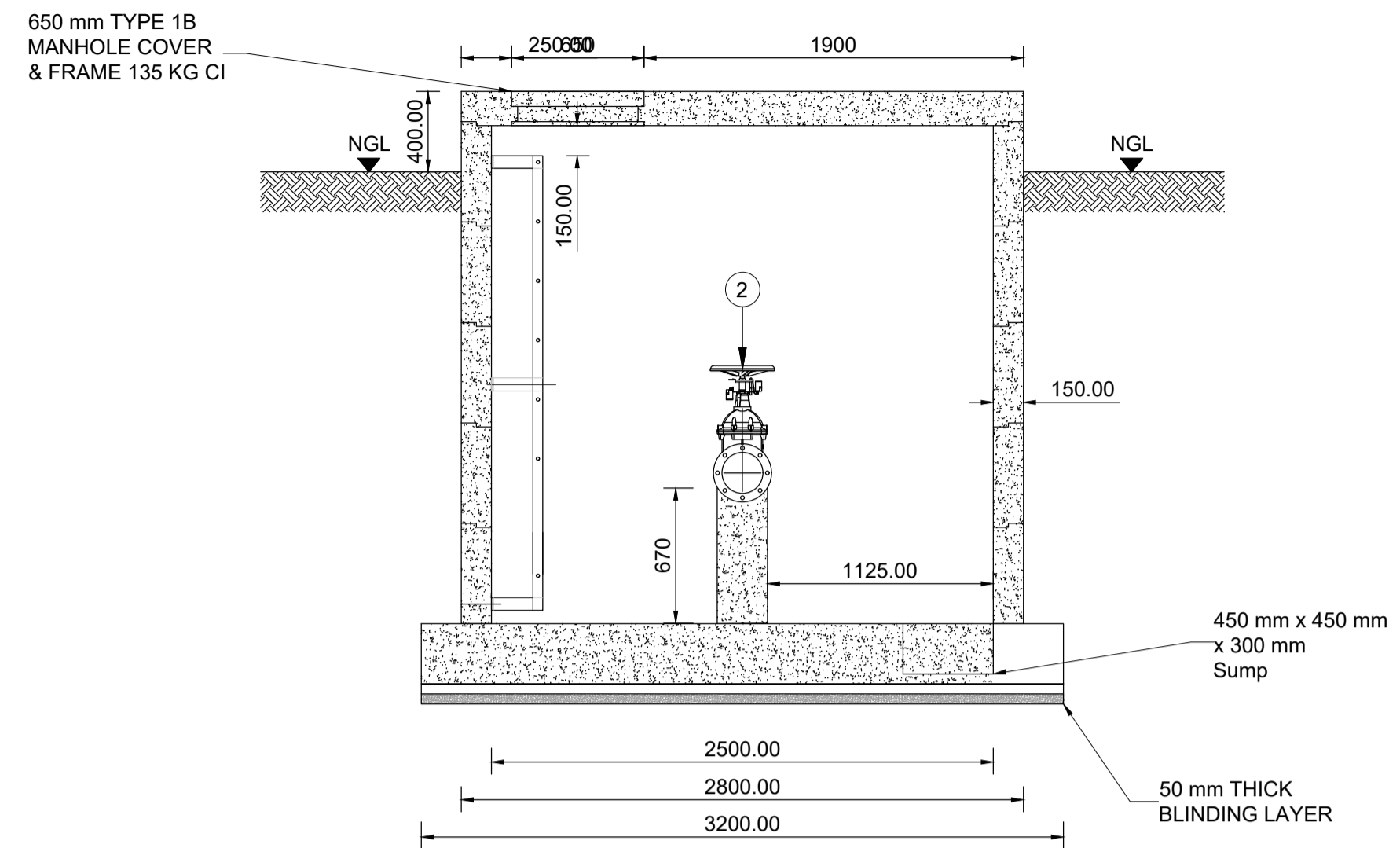


CAPRICORN DISTRICT MUNICIPALITY

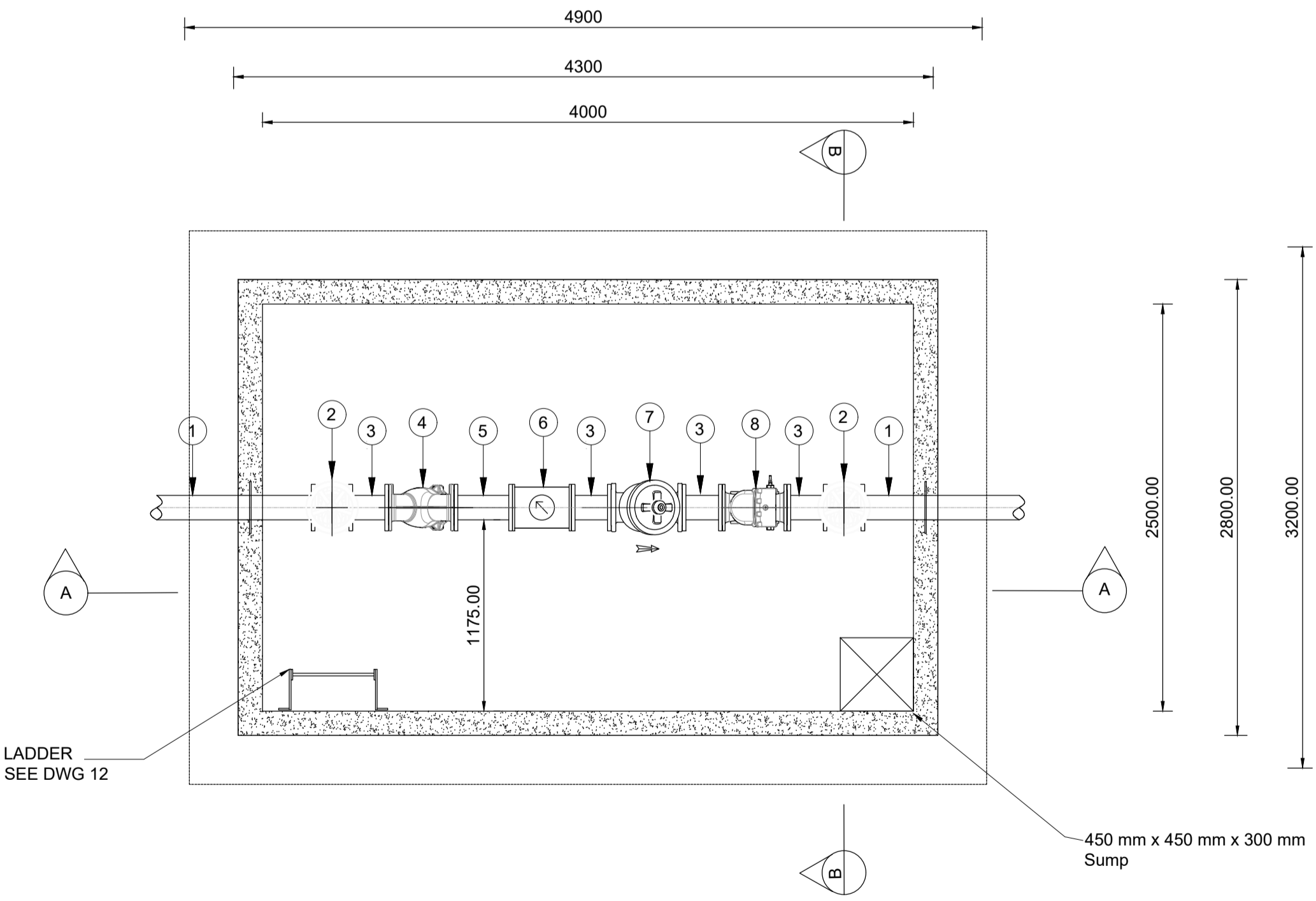
41 BICCARD STREET
POLOKWANE, LIMPOPO, RMA
0700
TEL : +27 (0)15 294 1000
FAX : +27 (0)15 296 4010
EMAIL : info@cdm.co.za



SECTION A
Scale 1:50



SECTION B
Scale 1:50



PLAN VIEW
Scale 1:50

NORTH CLUSTER INLET VALVE CHAMBER SCHEDULE					
ITEM NO.	MATERIAL	NOM. DIA (mm)	DESCRIPTION	SKETCH	NO. OFF
1	MS EPOXY COATED	100	1000 x 650 mm LONG STEEL PIPE 4 mm THICK WITH FLANGED FLANGES BOTH ENDS FLANGED TO SANS 1123 - 20005		4
2	MS EPOXY COATED	150	150 mm sluice valve, flange		6
3	MS EPOXY COATED	150	1500 x 45 mm THICK x 200 mm LONG STEEL PL ANGLE BOTTLENECK TO SANS 1123 - 20005		8
4	MS EPOXY COATED	150	150 mm sluice valve, flange		8
5	MS EPOXY COATED	150	1500 x 45 mm THICK x 175 mm LONG STEEL PL ANGLE BOTTLENECK TO SANS 1123 - 20005		2
6	MS EPOXY COATED	150	150 mm water meter, flange		2
7	MS EPOXY COATED	150	150 mm offset level control valve flange		7
8	MS EPOXY COATED	150	150 mm non return valve, flange		2

NOTE:
- ALL PIPE LENGTH AND SIZES TO BE CONFIRMED ON SITE
- NOT PRICE AT THE FUTURE EMERGENCY CONNECTION

LEGEND	
	PROPOSED 160mm Ø WATER PIPE
	PROPOSED 110mm Ø WATER PIPE
	PROPOSED 90mm Ø WATER PIPE
	PROPOSED 75mm Ø WATER PIPE
	GATE VALVE
	PIPE BEND REFERENCE MARKER
	FENCE
	BULK WATER PIPE

- NOTES:**
- ALL PEGS ARE 12mm ROUND IRON PEGS ON CENTRE LINE OF PIPELINE.
 - HORIZONTAL BENDS ARE SQUARE PEGS
 - OVER HEAD ELECTRICAL PYLONS - BEWARE OF UNDERGROUND EARTH STRAPS AND CABLES BETWEEN PYLONS
 - ENSURE ACCESS TO PROPERTIES ARE AVAILABLE WHERE DRIVEWAYS ARE AFFECTED
 - FOR CONCRETE ENCASUREMENT REFER TO CIVIL DRAWINGS
 - ALL ATTEMPTS ARE UNDERTAKEN BY THE SURVEYOR TO LOCATE ALL AFFECTED SERVICES ABOVE AND BELOW GROUND. SURFACE. IT IS OF UTMOST IMPORTANCE THAT THE CONTRACTOR TAKE THE NECESSARY PRECAUTIONS WHEN EXCAVATING IN THE VICINITY OF SERVICES.

REVISIONS				REFERENCE DRAWINGS	
No.	Date	Checked	Approved	Description	Number
1	25-03-2025	AM	AM	ISSUED FOR TENDER	

CLIENT:

CAPRICORN DISTRICT MUNICIPALITY
41 BICCARD STREET
POLOKWANE, LIMPOPO, RSA
0700
TEL: +27 (0)15 294 1000
FAX: +27 (0)15 291 4297
EMAIL: info@cdm.co.za

CONSULTANT:

CHIEFTON FACILITIES MANAGEMENT
CHIEFTON KITSO CONSULTING
UNIT 5, SOLA FIDE FORUM, 79A
BICCARD STREET, POLOKWANE 0699
PO BOX 47078, HIGHVELD,
CENTURION
0169
Tel: 087 700 2654
Fax: 086 520 7096

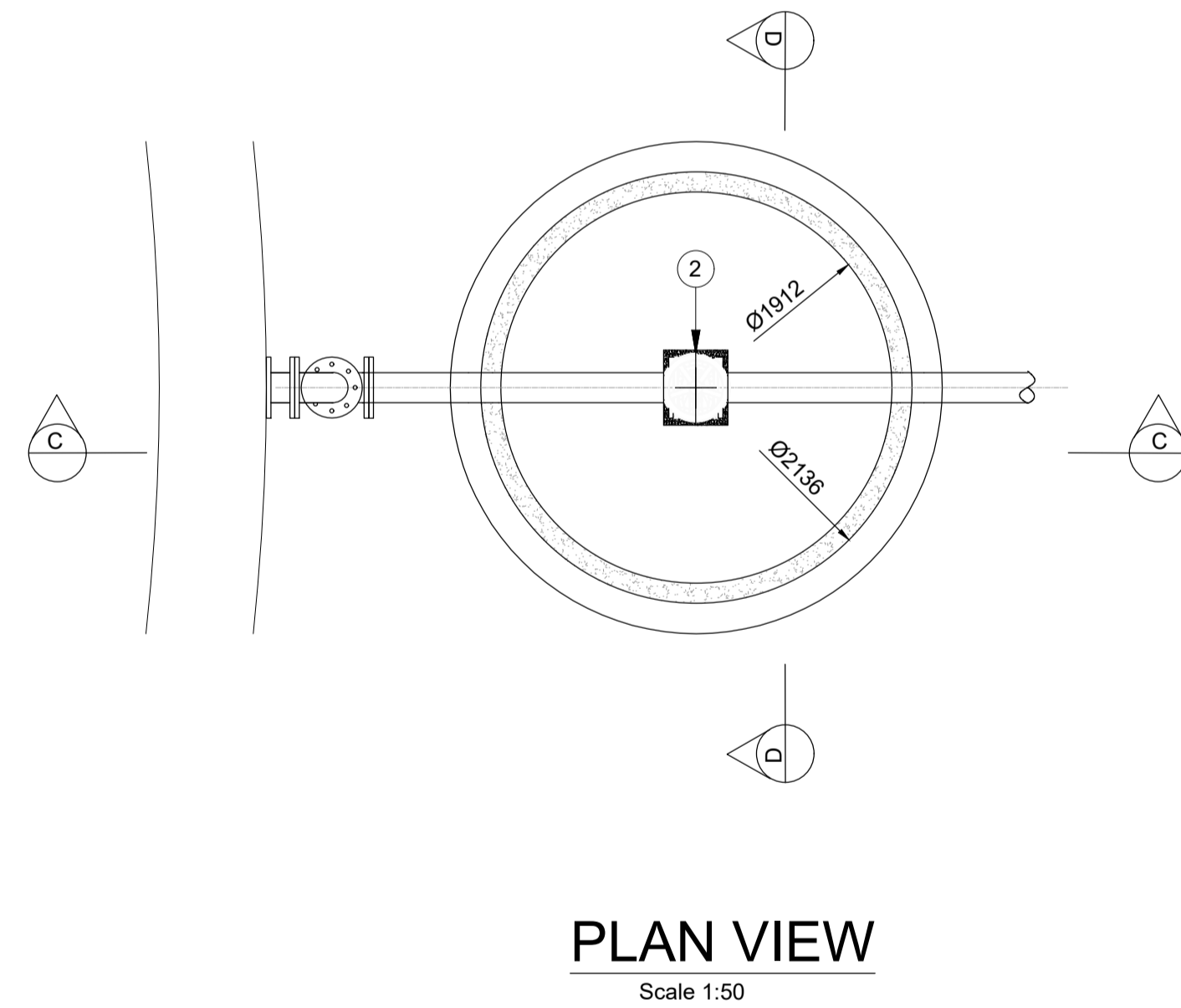
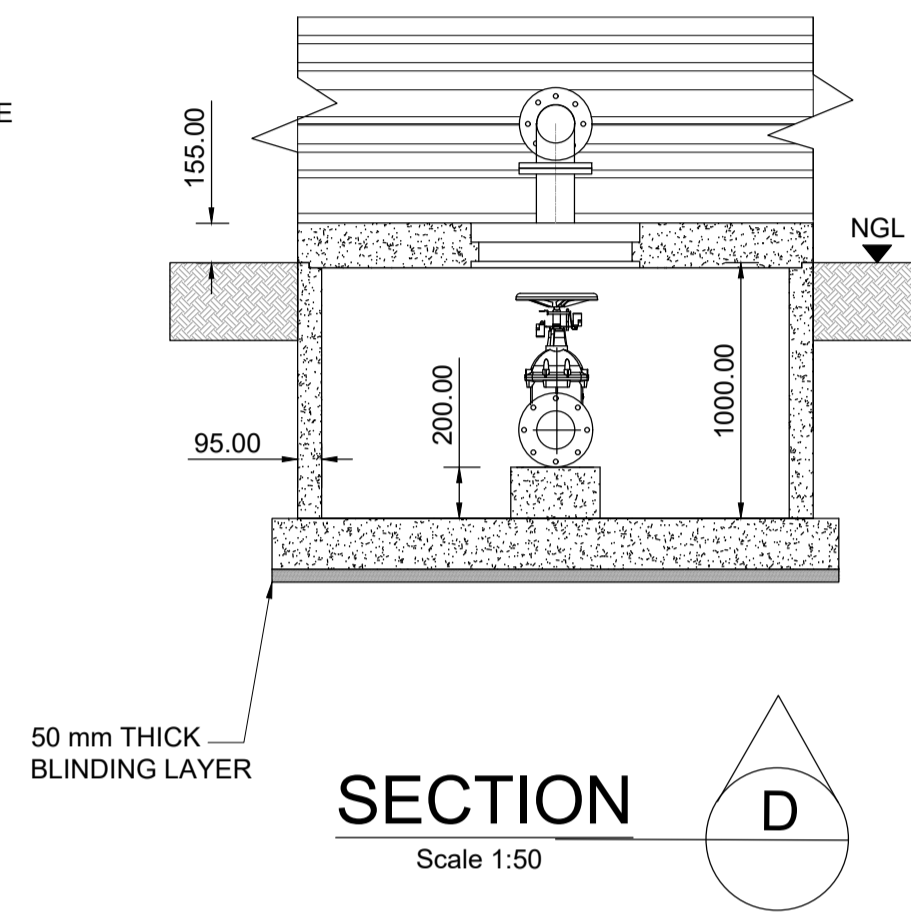
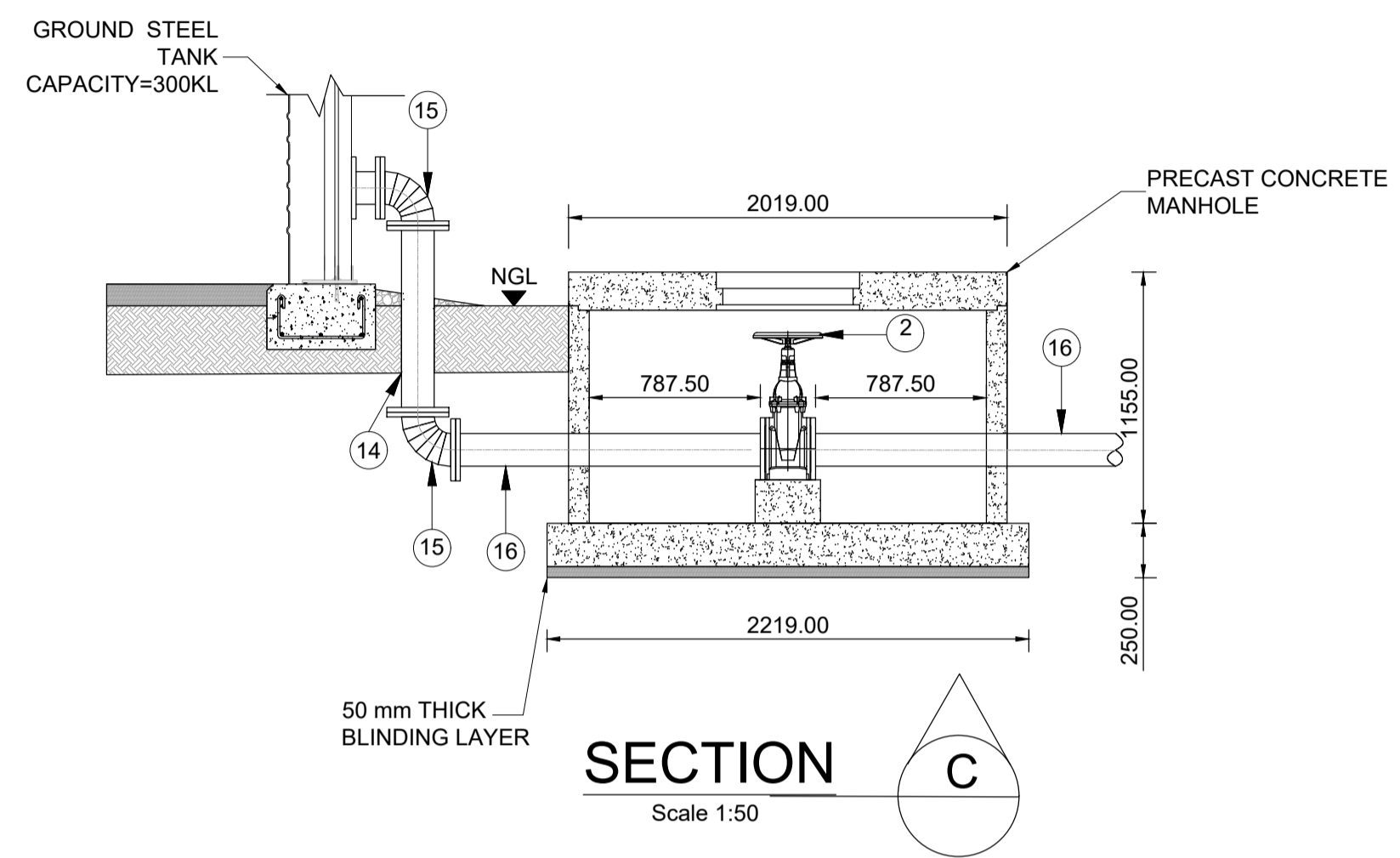
GROOTPAN, SIAS, RAMASWIKANA, LONGDEN, AND GA-MMAMOLEKA WATER SUPPLY

PRE-CAST REINFORCED CONCRETE INLET CHAMBER DETAILS

Station: _____ W/S: _____ doc type: _____ S: _____

SCALE: AS SHOWN

DRW No: W74-20/21-PH3-W-0001



NORTH CLUSTER OUTLET 150 mm DIA VALVE CHAMBER SCHEDULE					
ITEM NO.	MATERIAL	NOM. DIA (mm)	DESCRIPTION	SKETCH	NO. OFF
2	MS EPOXY COATED	150	150 mm valve, flange		6
14	MS EPOXY COATED	150	1000 H 8mm THICK x 110mm LONG STEEL FLANGES BOTH ENDS TO SANG 1123 - 20003		2
15	MS EPOXY COATED	200	2000 H 8mm THICK x 55mm LONG STEEL FLANGES BOTH ENDS TO SANG 1123 - 20003		6
16	MS EPOXY COATED	150	1000 H 8mm THICK x 100mm LONG STEEL FLANGES BOTH ENDS TO SANG 1123 - 20003		2

NOTE:
 1. ALL PIPE LENGTH AND SIZES TO BE CONFIRMED ON SITE AND CHECKED AT THE FUTURE EMERGENCY CONNECTION

LEGEND	
	PROPOSED 160mm Ø WATER PIPE
	PROPOSED 110mm Ø WATER PIPE
	PROPOSED 90mm Ø WATER PIPE
	PROPOSED 75mm Ø WATER PIPE
	GATE VALVE
	PIPE BEND REFERENCE MARKER
	FENCE
	BULK WATER PIPE

- NOTES:
- ALL PEGS ARE 12mm ROUND IRON PEGS ON CENTRE LINE OF PIPELINE.
 - HORIZONTAL BENDS ARE SQUARE PEGS
 - OVER HEAD ELECTRICAL PYLONS - BEWARE OF UNDERGROUND EARTH STRAPS AND CABLES BETWEEN PYLONS
 - ENSURE ACCESS TO PROPERTIES ARE AVAILABLE WHERE DRIVEWAYS ARE AFFECTED
 - FOR CONCRETE ENCASEMENT REFER TO CIVIL DRAWINGS
 - ALL ATTEMPTS ARE UNDERTAKEN BY THE SURVEYOR TO LOCATE ALL AFFECTED SERVICES ABOVE AND BELOW GROUND. SURFACE. IT IS OF UTMOST IMPORTANCE THAT THE CONTRACTOR TAKE THE NECESSARY PRECAUTIONS WHEN EXCAVATING IN THE VICINITY OF SERVICES.

REVISIONS					REFERENCE DRAWINGS	
No.	Date	Checked	Approved	Description	Number	Title
1	25-03-2025	AM	AM	ISSUED FOR TENDER		

CLIENT:

CAPRICORN DISTRICT MUNICIPALITY
 41 BICCARD STREET
 POLOKWANE, LIMPOPO, RSA
 0700
 TEL: +27 (0)15 294 1000
 FAX: +27 (0)15 291 4297
 EMAIL: info@cdm.co.za

CONSULTANT:

CHIEFTON KITSO CONSULTING
 UNIT 5, SOLA FIDE FORUM, 79A
 BICCARD STREET, POLOKWANE 0699
 PO BOX 67078, HIGHVELD,
 CENTURION
 0169
 Tel: 087 700 2654
 Fax: 086 520 7096

GROOTPAN, SIAS, RAMASWIKANA, LONGDEN,
 AND GA-MMAMOLEKA WATER SUPPLY

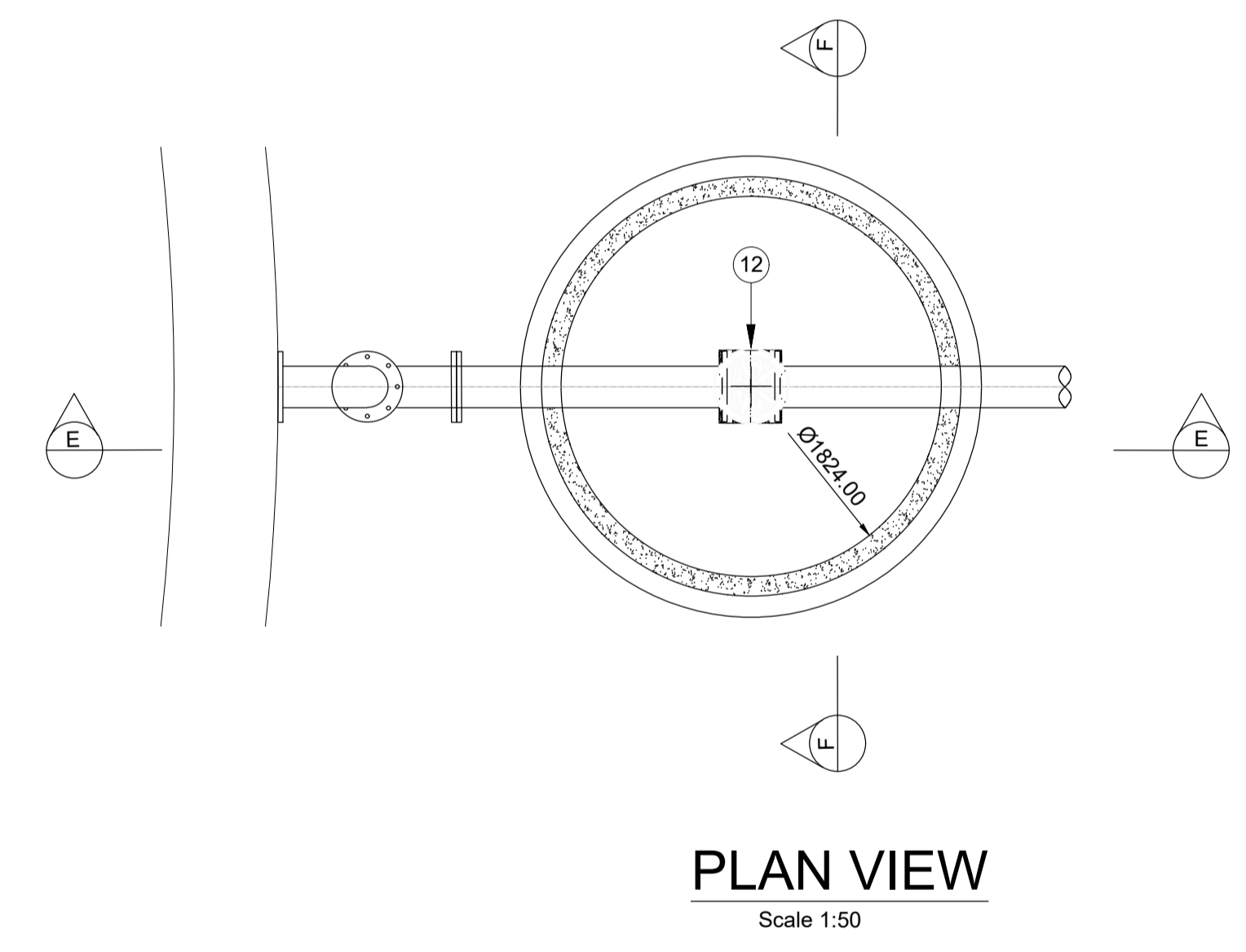
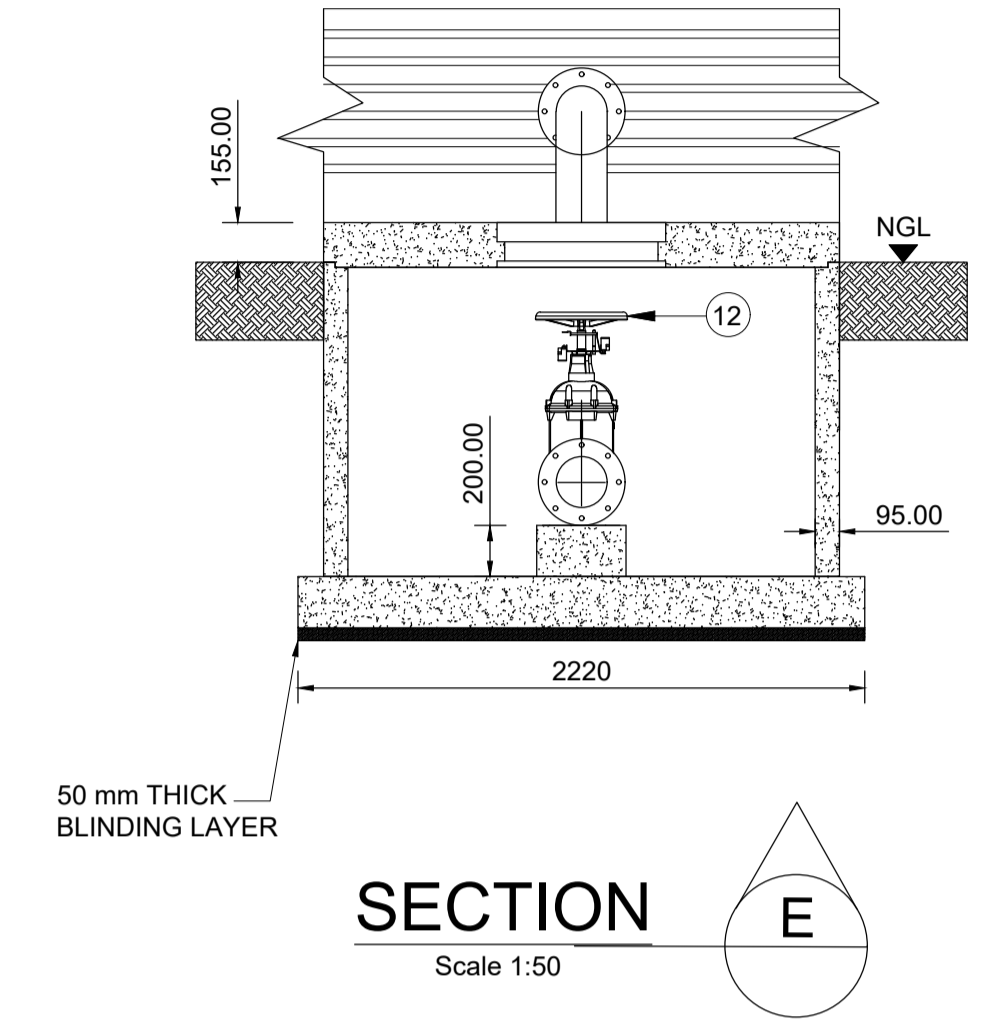
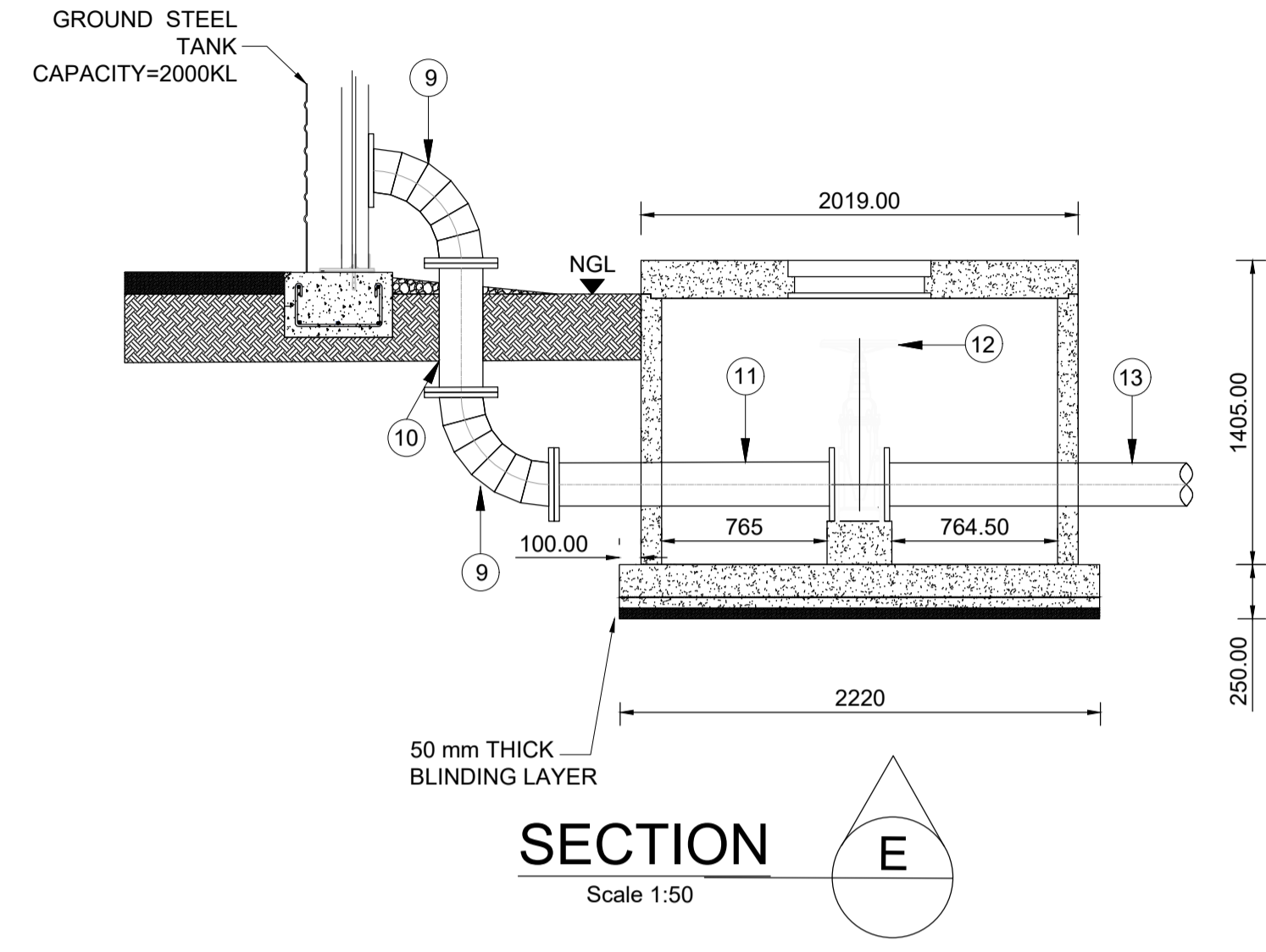
PRE-CAST REINFORCED CONCRETE OUTLET
 (150mm Ø) CHAMBER DETAILS (SHEET 1 OF 2)

Station: _____ W/S: _____ doc type: _____ S: _____

SCALE: AS SHOWN

DRW No: W74-20/21-PH3-W-D002

SAP No	Checked	Drawn By	Approved
Contract No	Accepted	A.M.	[Signature]
Originator	Date	Checked By	Registration No. 20120172
		A.M.	Date: 25-03-2025



NORTH CLUSTER VALVE OUTLET 200 mm DIA CHAMBER SCHEDULE					
ITEM NO.	MATERIAL	NOM. DIA (mm)	DESCRIPTION	SKETCH	NO. OFF
9	MS EPOXY COATED	200	2000 # 8mm THICK SF PLATED FLANGED PIPE ENDS TO SAND 1121-2803		4
10	MS EPOXY COATED	200	2000 # 8mm THICK SF PLATED CONG STEEL FLANGED PIPE ENDS TO SAND 1121-2803		3
11	MS EPOXY COATED	200	2000 # 8mm THICK SF PLATED CONG STEEL FLANGED PIPE ENDS TO SAND 1121-2803		1
12	MS EPOXY COATED	200	200 mm valve, target		2
13	MS EPOXY COATED	200	2000 # 8mm THICK SF PLATED CONG STEEL FLANGED PIPE ENDS TO SAND 1121-2803		2

NOTE:
ALL PIPE LENGTH AND SIZE TO BE CONFIRMED ON SITE NOTIFIED AT THE FUTURE EMERGENCY CONNECTION

LEGEND	
	PROPOSED 160mm Ø WATER PIPE
	PROPOSED 110mm Ø WATER PIPE
	PROPOSED 90mm Ø WATER PIPE
	PROPOSED 75mm Ø WATER PIPE
	GATE VALVE
	PIPE BEND REFERENCE MARKER
	FENCE
	BULK WATER PIPE

- NOTES:
- ALL PEGS ARE 12mm ROUND IRON PEGS ON CENTRE LINE OF PIPELINE.
 - HORIZONTAL BENDS ARE SQUARE PEGS
 - OVER HEAD ELECTRICAL PYLONS - BEWARE OF UNDERGROUND EARTH STRAPS AND CABLES BETWEEN PYLONS
 - ENSURE ACCESS TO PROPERTIES ARE AVAILABLE WHERE DRIVEWAYS ARE AFFECTED
 - FOR CONCRETE ENCASUREMENT REFER TO CIVIL DRAWINGS
 - ALL ATTEMPTS ARE UNDERTAKEN BY THE SURVEYOR TO LOCATE ALL AFFECTED SERVICES ABOVE AND BELOW GROUND. SURFACE. IT IS OF UTMOST IMPORTANCE THAT THE CONTRACTOR TAKE THE NECESSARY PRECAUTIONS WHEN EXCAVATING IN THE VICINITY OF SERVICES.

REVISIONS				REFERENCE DRAWINGS	
No.	Date	Checked	Approved	Description	Number
1	25-03-2025	AM	AM	ISSUED FOR TENDER	

CLIENT:

CAPRICORN DISTRICT MUNICIPALITY
41 BICCARD STREET
POLOKWANE, LIMPOPO, RSA
0700
TEL: +27 (0)15 294 1000
FAX: +27 (0)15 291 4297
EMAIL: info@cdm.co.za

SAP No: _____
Contract No: _____
Originator: _____

Checked: _____
Accepted: _____
Date: _____

CONSULTANT:

CHIEFTON FACILITIES MANAGEMENT
CHIEFTON KITSO CONSULTING
UNIT 5, SOLA FIDE FORUM, 79A
BICCARD STREET, POLOKWANE 0699
PO BOX 67078, HIGHVELD, CENTURION
0169
Tel: 087 700 2654
Fax: 086 520 7096

Drawn By: **A.M.**
Checked By: **A.M.**
Date: _____

Approved: *[Signature]* **J.P.Eng**
Registration No. 20120172
Date: 25-03-2025

GROOTPAN, SIAS, RAMASWIKANA, LONGDEN, AND GA-MMAMOLEKA WATER SUPPLY

PRE-CAST REINFORCED CONCRETE OUTLET (200mm Ø) CHAMBER DETAILS (SHEET 2 OF 2)

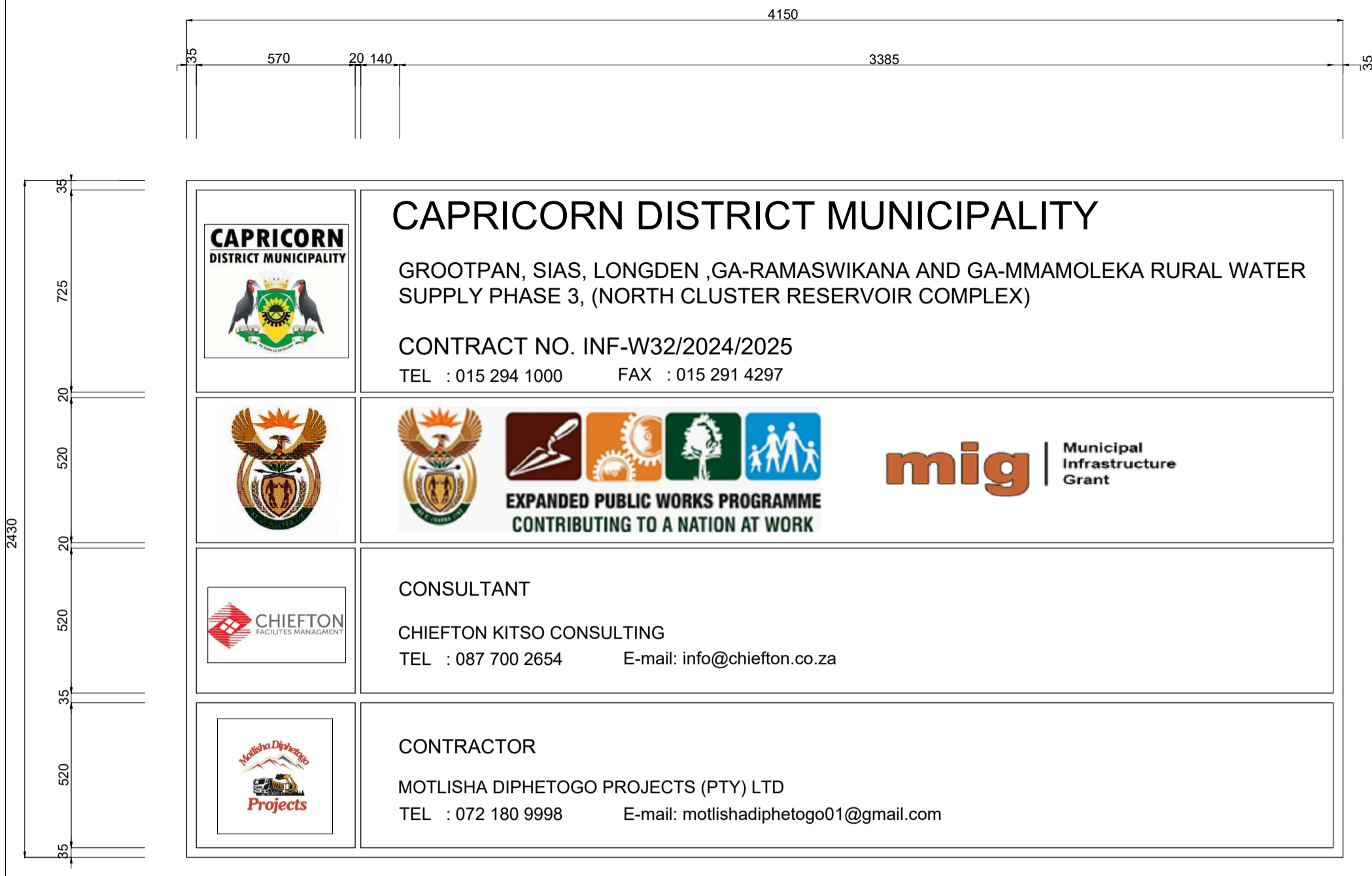
station: _____ w/s: _____ doc type: _____ s: _____

SCALE: AS SHOWN

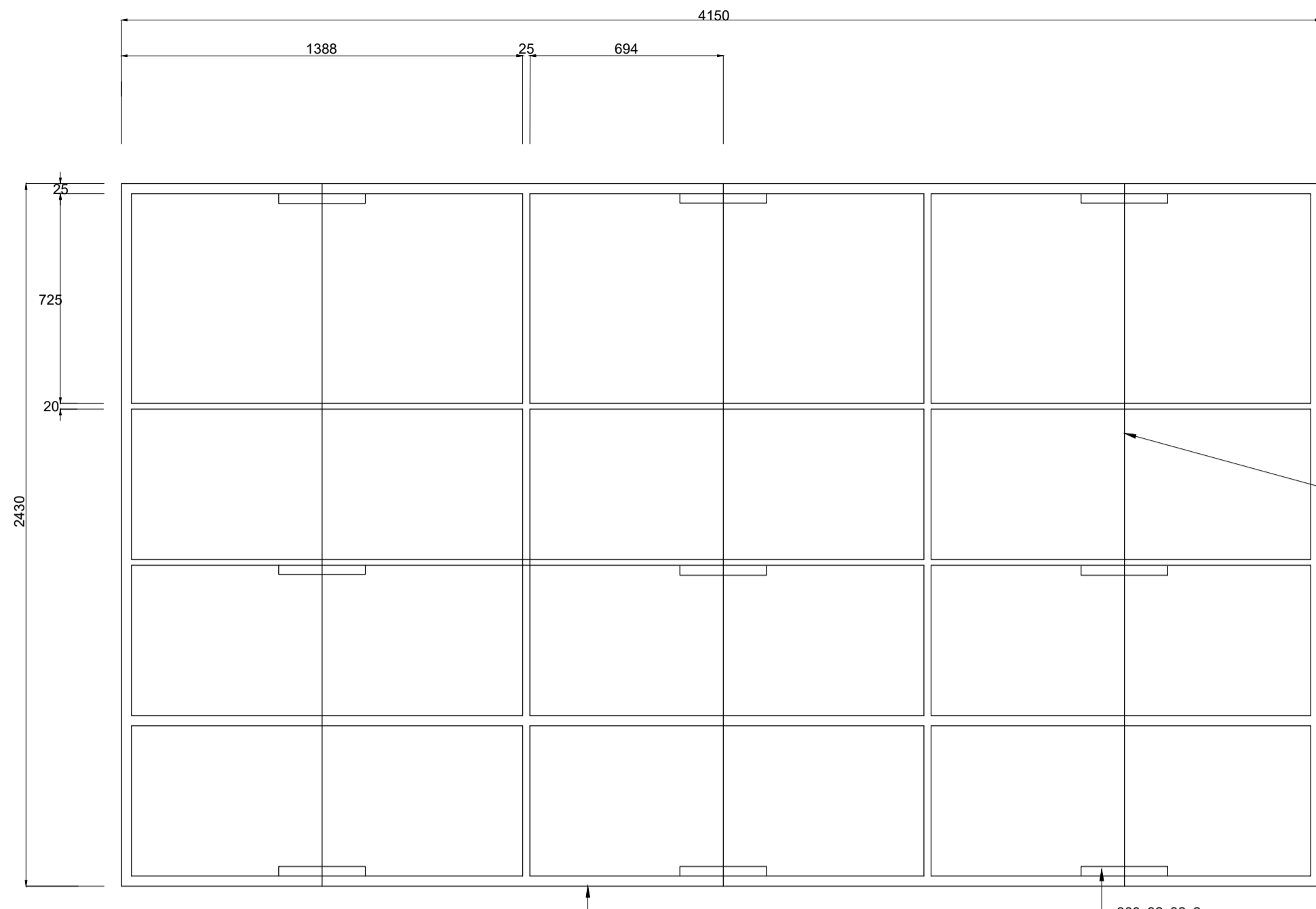
DRW No: W74-20/21-PH3-W-D003

Revision:

--	--	--	--	--



FRONT ELEVATION
SCALE 1:8



REAR SIDE BRACING
SCALE 1:8

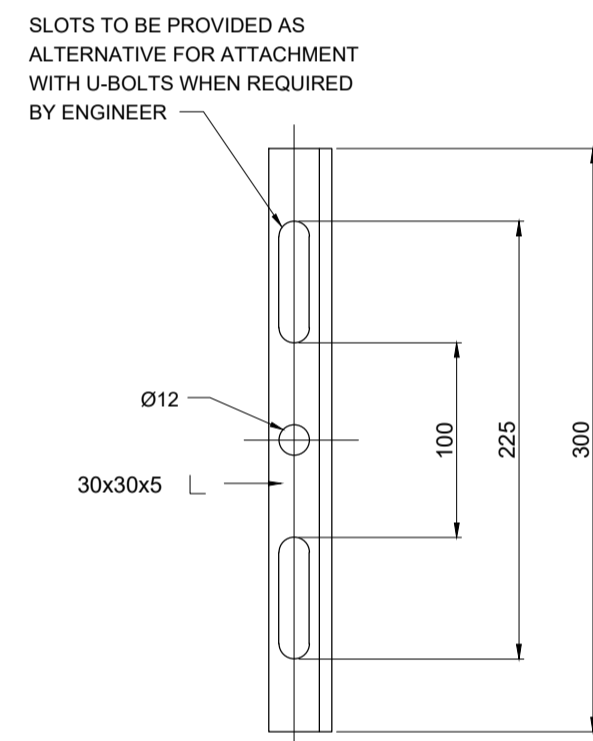
NOTES:

- EMBLEME:
1. ALL EMBLEMS TO BE DISPLAYED IN FULL COLOUR ON A SEMI-MATT BACKGROUND.
LETTERS AND NUMBERS:
2. DESCRIPTION : MATT-BLACK, SERIES DIN B LETTERS AND NUMBERS ON A SEMI-MATT SMOKE- GREY BACKGROUND.
BORDERS:
3. BORDER : GREEN NON-REFLECTORIZED.
QUANTITY:
4. TWO SIGN BOARDS, SHALL BE ERECTED AT POSITIONS AS DETERMINED BY THE ENGINEER.
DESCRIPTION:
5. DESCRIPTION OF WORK (NUMBER OF KILOMETRES AND TYPE OF WORK, eg '13.5km RECONSTRUCTION OF ROAD 1974.' DESCRIPTION STARTS CENTERED ON THE LEFT-HAND SIDE AND THE FIRST 105mm

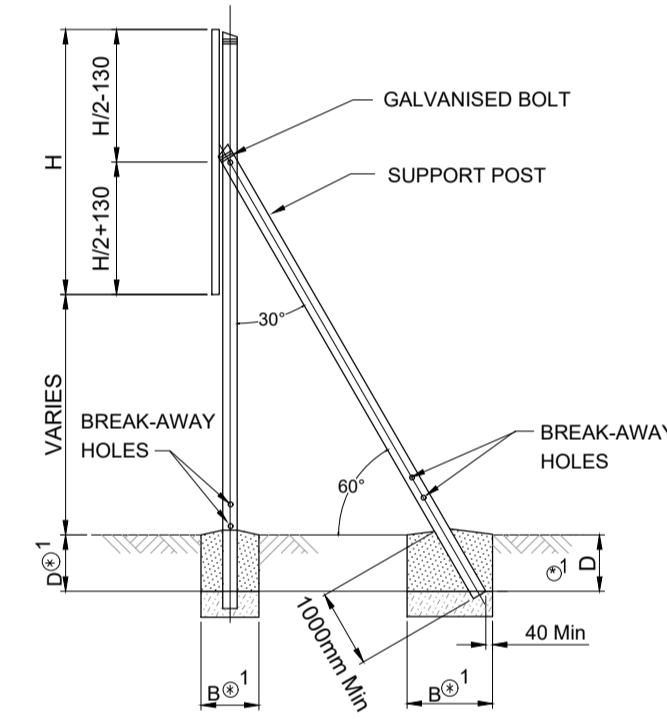
POSITION OF SUPPORTS

TABLE 1: DETERMINATION OF POSTS & FOOTINGS				
TYPE OF POST	ERECTION DETAILS			
	UPRIGHT	STAY	D	B(DIA)
TIMBER POST AND STAY	100mm	80mm	600mm	850mm
TIMBER POST	180mm	-	1000mm	1450mm
D SECTION STEEL POST	100mm x 4mm	-	1000mm	1450mm

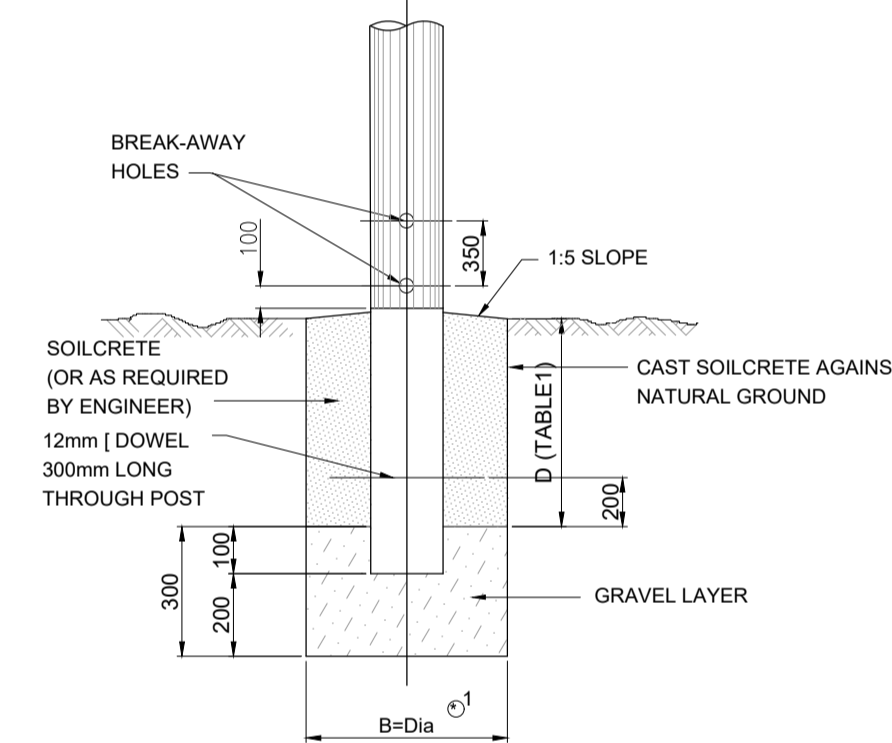
DETERMINATION OF BREAK-AWAY HOLES	
POLE DIA (mm)	HOLE DIA (mm)
< 140	NONE
141 - 170	40
171 - 200	50
201 - 225	65



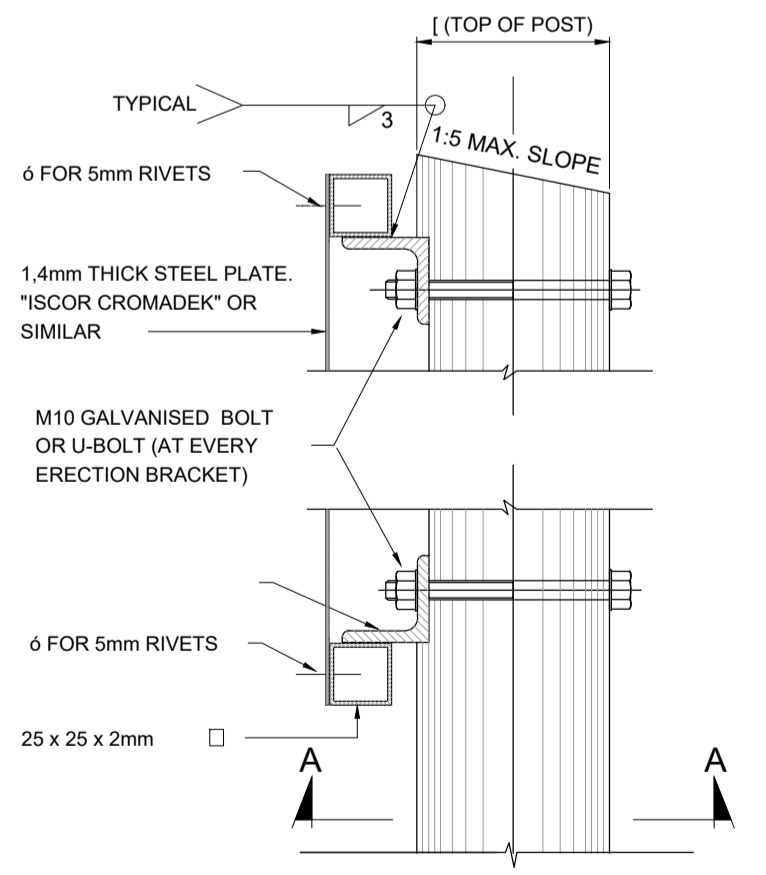
ELEVATION OF ERECTION BRACKET
N.T.S



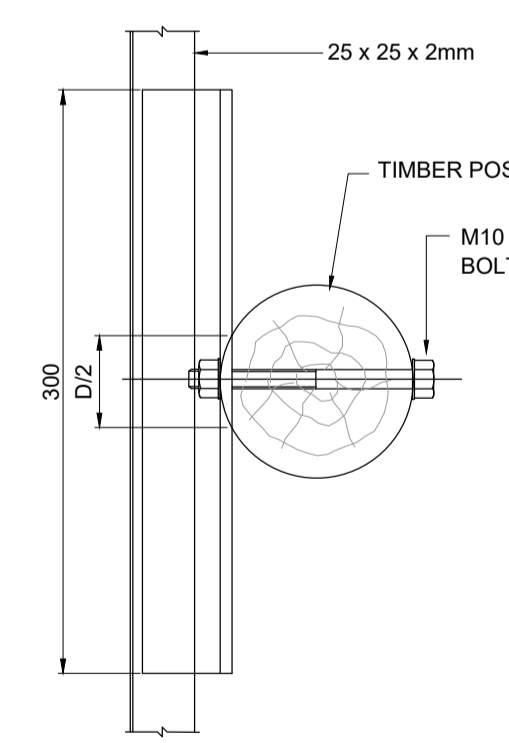
SIDE ELEVATION OF ROAD SIGN
N.T.S



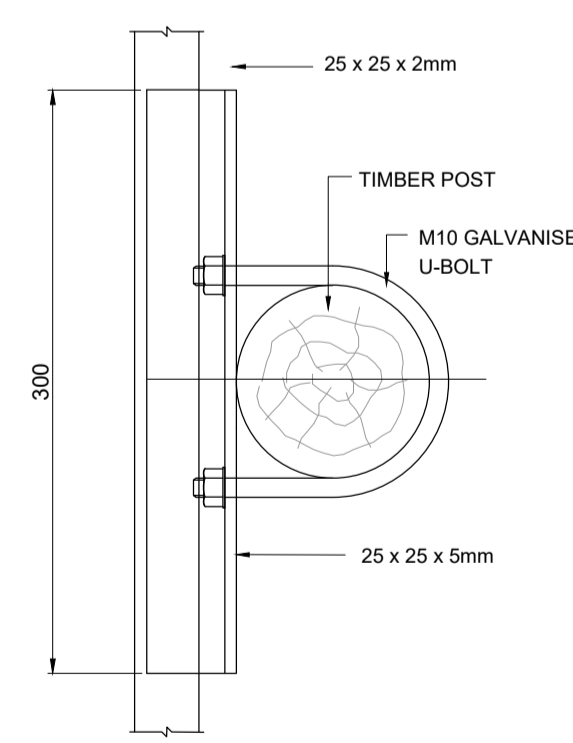
FOUNDATION DETAIL
N.T.S



SIDE ELEVATION
N.T.S



SECTION A-A
N.T.S



SECTION A-A (WITH U-BOLT)
N.T.S

SEE NOTES.

REVISIONS					REFERENCE DRAWINGS	
No.	Date	Checked	Approved	Description	Number	Title
CD	07-08-2025	AM	AM	ISSUED FOR CONSTRUCTION		

CLIENT:
CAPRICORN DISTRICT MUNICIPALITY
41 BICCARD STREET
POLOKWANE, LIMPOPO, RMA
0700
TEL: +27 (0)15 294 1000
FAX: +27 (0)15 291 4297
EMAIL: info@cdm.co.za

CONSULTANT:
CHIEFTON FACILITIES MANAGEMENT
Chiefton Kitso Consulting
Unit 5, Solo Ride Forum, 79A Biccard Street, Polokwane 0699
PO Box 67078, Highveld, Centurion 0149
Tel: 087 700 2654
Fax: 086 520 7096

GROOTPAN, SIAS, RAMASWIKANA, LONGDEN, AND GA-MMAMOLEKA WATER SUPPLY
NAME BOARD DETAILS

SCALE AS SHOWN
DRW No W32-24_25-PH3-G-D-004

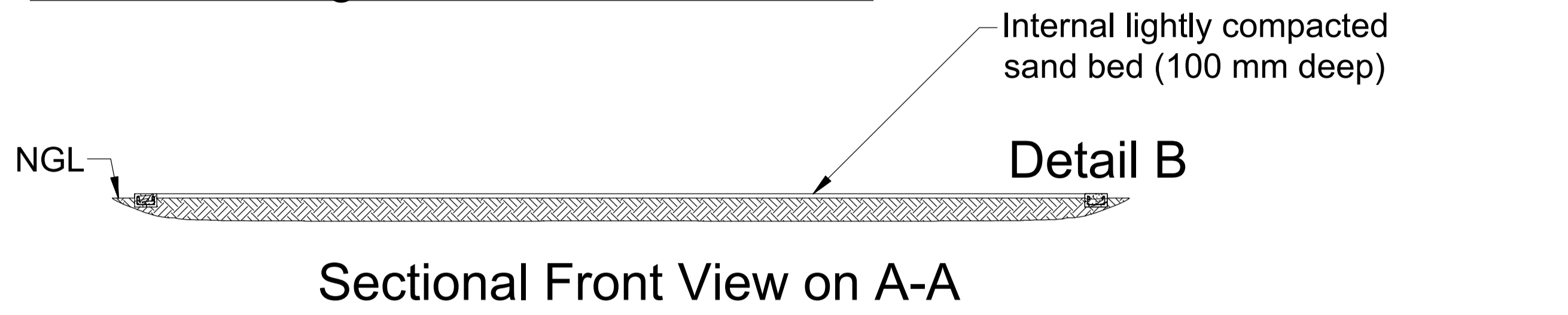
SAP No _____
Contract No _____
Originator _____

Checked _____
Accepted _____
Date _____

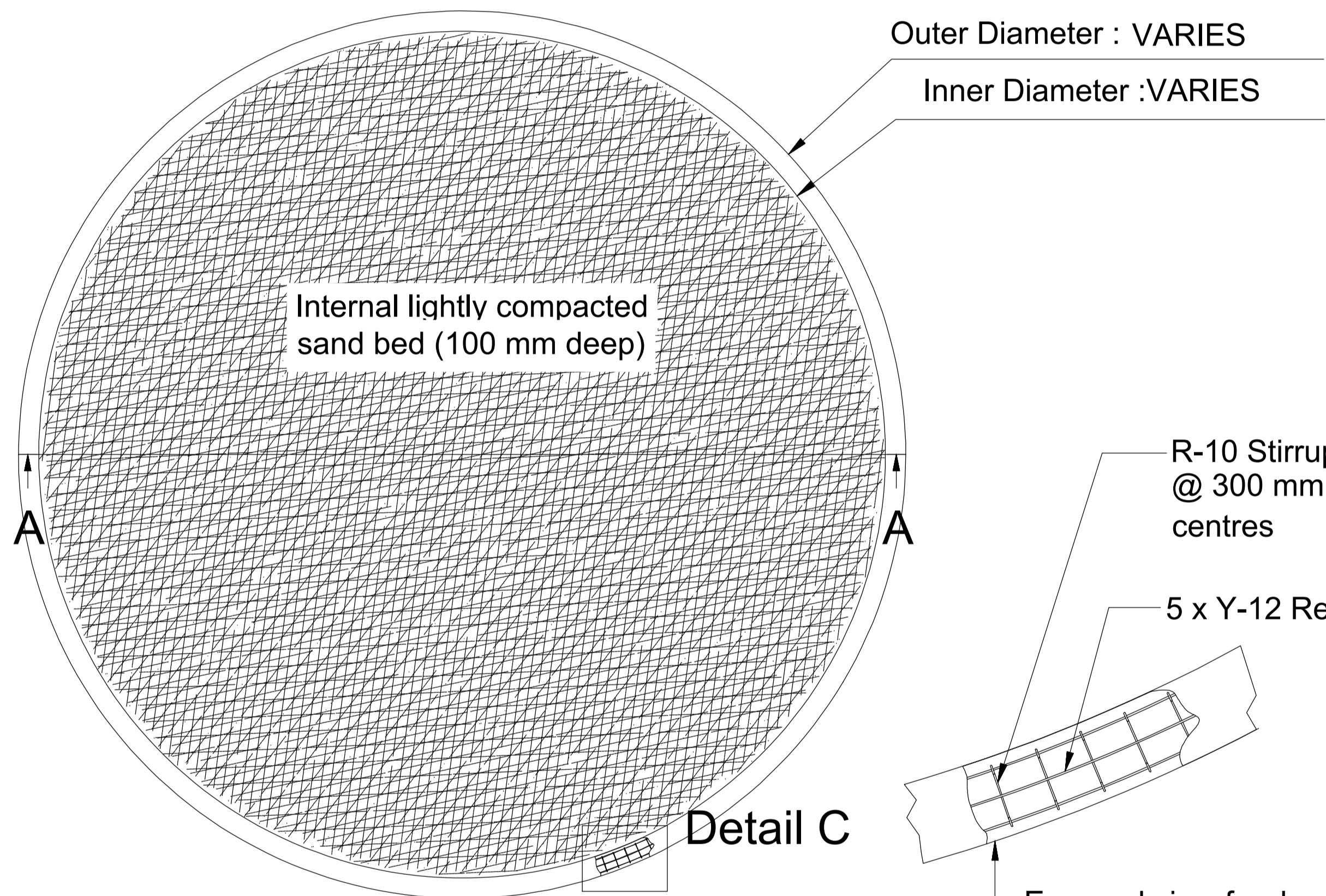
Drawn By **M.M.**
Checked By **A.M.**
Date _____

Approved _____
Registration No. 20120172
Date: 07-08-2025

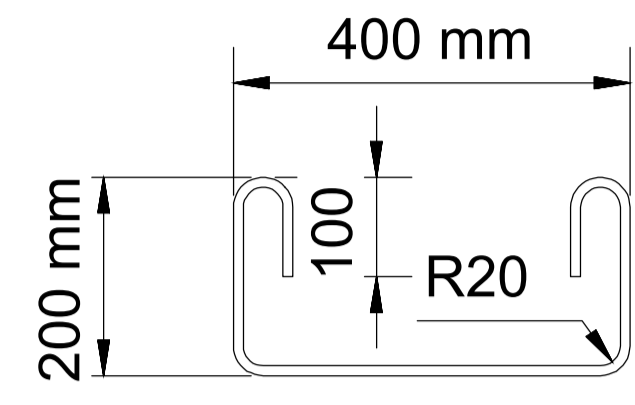
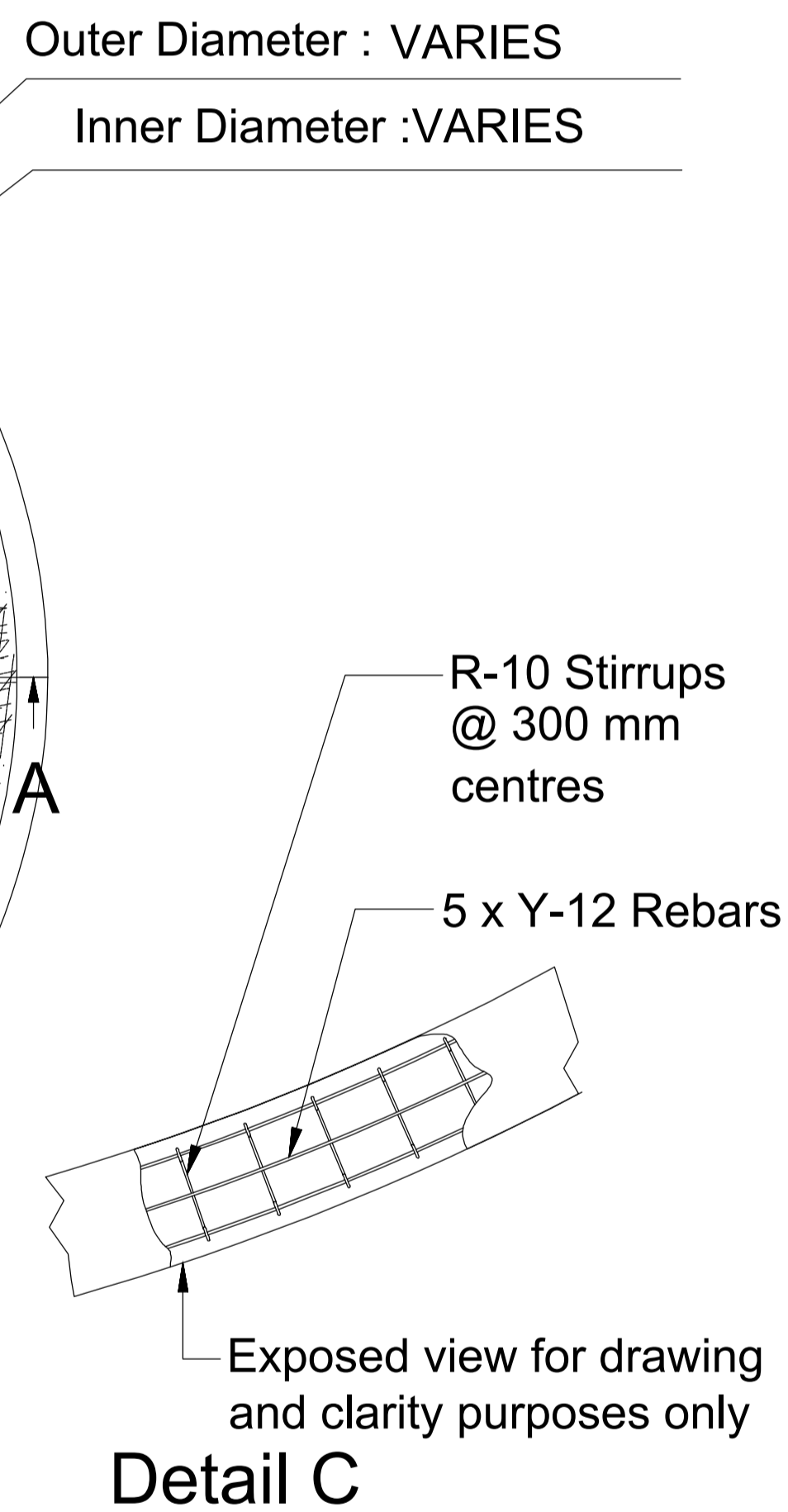
Concrete Ring Beam-Not to Scale



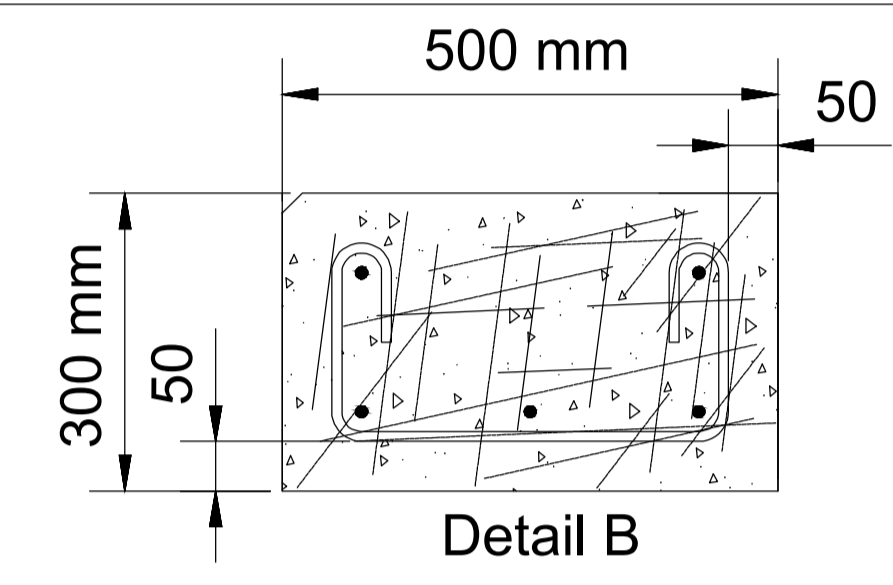
Sectional Front View on A-A



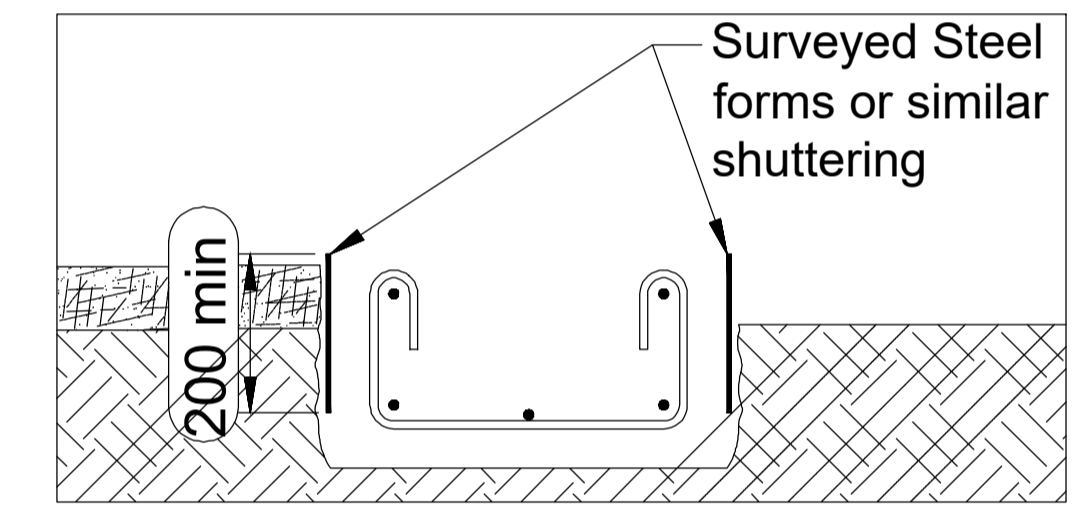
Plan View



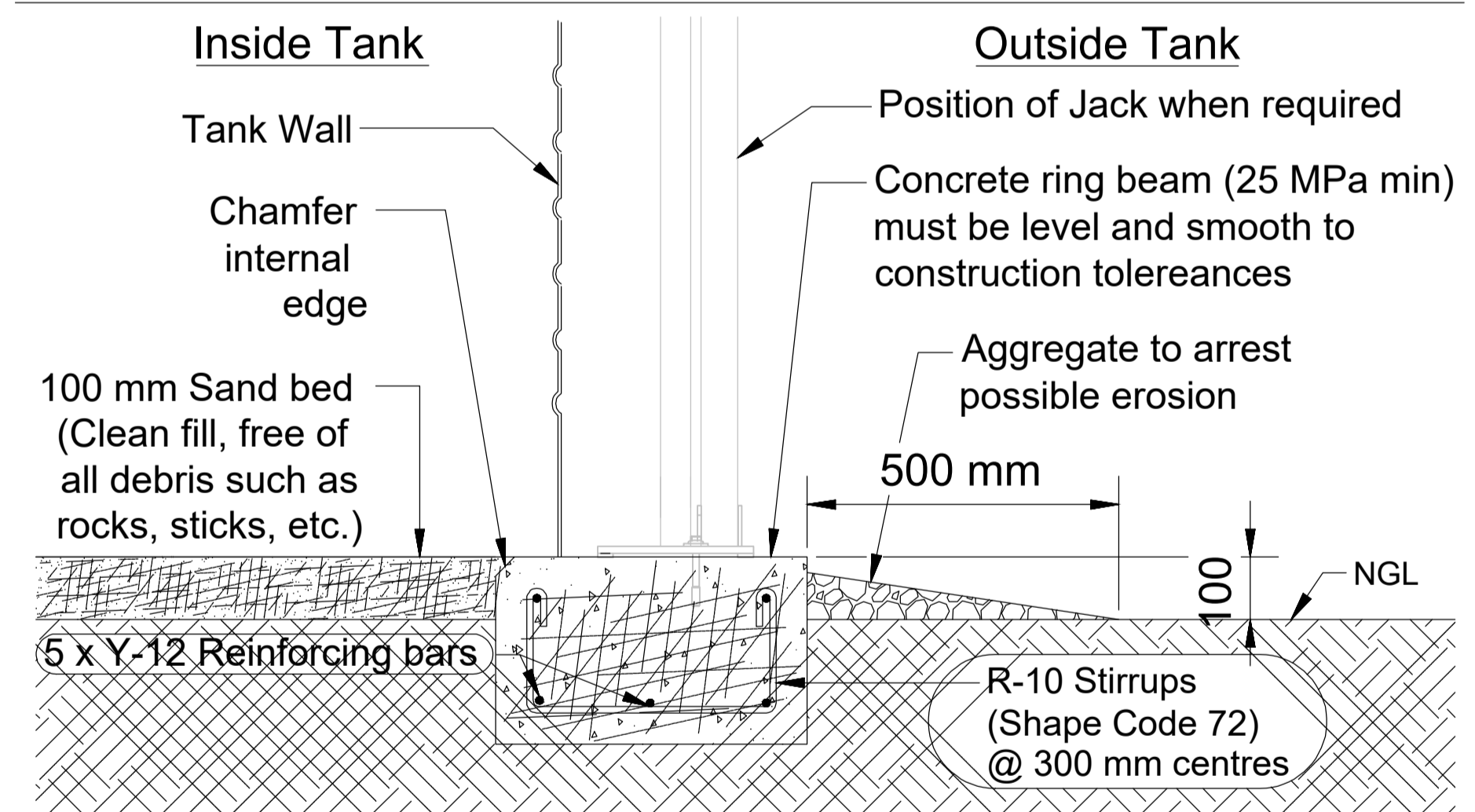
R-10 Stirrup Dimensions (SANS 282: 2011, Shape code 72)



Concrete Ring Beam Width & Depth



Formed Surfaces



Finished Ring Beam Detail

LEGEND

- PROPOSED 160mm Ø WATER PIPE
- PROPOSED 110mm Ø WATER PIPE
- PROPOSED 90mm Ø WATER PIPE
- PROPOSED 75mm Ø WATER PIPE
- GATE VALVE
- PIPE BEND REFERENCE MARKER
- FENCE
- BULK WATER PIPE

- NOTES:**
- ALL PEGS ARE 12mm ROUND IRON PEGS ON CENTRE LINE OF PIPELINE.
 - HORIZONTAL BENDS ARE SQUARE PEGS
 - OVER HEAD ELECTRICAL PYLONS - BEWARE OF UNDERGROUND EARTH STRAPS AND CABLES BETWEEN PYLONS
 - ENSURE ACCESS TO PROPERTIES ARE AVAILABLE WHERE DRIVEWAYS ARE AFFECTED
 - FOR CONCRETE ENCASEMENT REFER TO CIVIL DRAWINGS
 - ALL ATTEMPTS ARE UNDERTAKEN BY THE SURVEYOR TO LOCATE ALL AFFECTED SERVICES ABOVE AND BELOW GROUND. SURFACE. IT IS OF UTMOST IMPORTANCE THAT THE CONTRACTOR TAKE THE NECESSARY PRECAUTIONS WHEN EXCAVATING IN THE VICINITY OF SERVICES.

REVISIONS					REFERENCE DRAWINGS	
No.	Date	Checked	Approved	Description	Number	Title
1	25-03-2025	AM	AM	ISSUED FOR TENDER		

CLIENT:

CAPRICORN DISTRICT MUNICIPALITY
 41 BIC CARD STREET
 POLOKWANE, LIMPOPO, RSA
 0700
 TEL: +27 (0)15 294 1000
 FAX: +27 (0)15 291 4297
 EMAIL: info@cdm.co.za

CONSULTANT:

CHIEFTON FACILITIES MANAGEMENT
 CHIEFTON KITSO CONSULTING
 UNIT 5, SOLA FIDE FORUM, 79A
 BIC CARD STREET, POLOKWANE 0699
 PO BOX 67078, HIGHVELD,
 CENTURION
 0169
 Tel: 087 700 2654
 Fax: 086 520 7096

GROOTPAN, SIAS, RAMASWIKANA, LONGDEN, AND GA-MMAMOLEKA WATER SUPPLY

TYPICAL REINFORCED CONCRETE RING BEAM DETAIL FOR STEEL TANK

station: _____ ves: _____ doc type: _____ s: _____

SCALE: AS SHOWN

DRW No: W74-20/21-PH3-W-005