

1

2

3

4

A

B

C

D

E

F

A

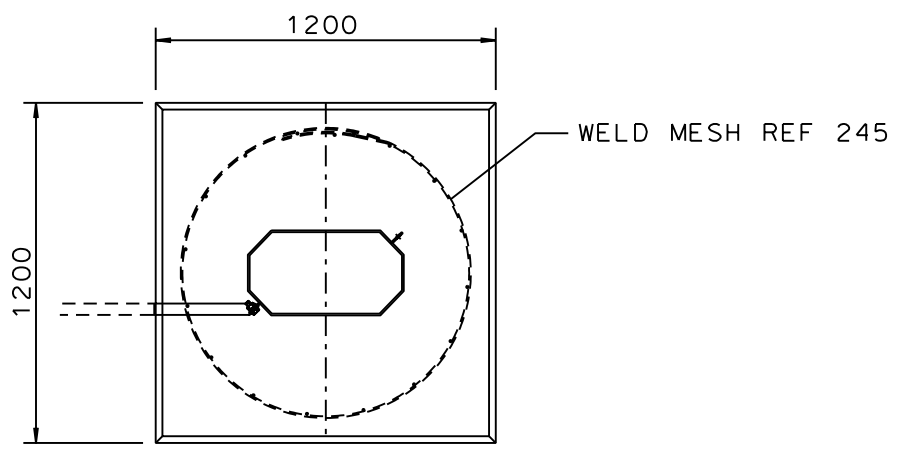
B

C

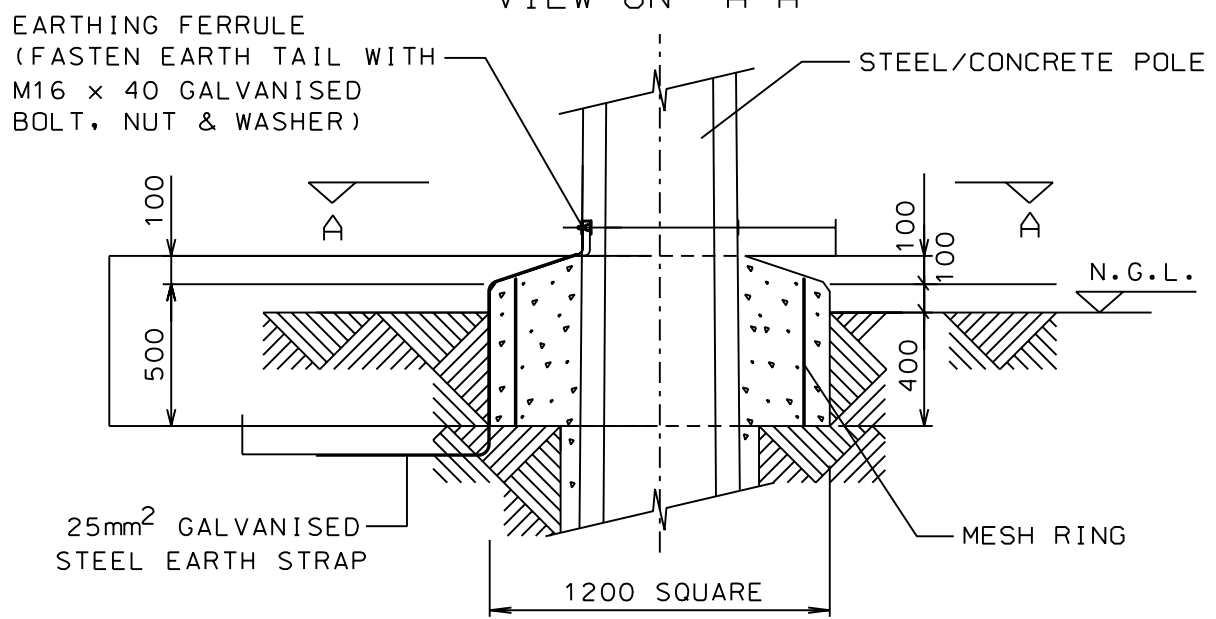
D

E

F



VIEW ON "A-A"



SECTION THROUGH CONCRETE CAP
REQUIRED FOR ALL HV PLANTED
POLE FOUNDATIONS

- NOTE :
- 1. ALL CONCRETE 25MPa
 - 2. 25mm CHAMFER AROUND EXPOSED EDGES
 - 3. VOLUME OF CONCRETE = 0.9m SQ
 - 4. CONCRETE SHALL BE WELL VIBRATED WITH WOOD FLOAT FINISH

2	REFERENCE TO RETICULATION REMOVED FROM TITLE BLOCK & ON REV 1 REFERED TO STREET POLE & SHOULD READ STEEL POLE	N.M.	B.BRANFIELD	28.01.09		
1	STREET POLE CHANGED TO STEEL/CONCRETE POLE	N.M.	B.HILL	B.HILL	05.08.08	
0	ISSUED FOR COMMENTS	SLR	RAB	AB	JAN 2006	
REV	REVISION DESCRIPTION	BY	CHKD	AUTH	DATE	PROJECT NO.

Eskom
Distribution

AUTH: A BEKKER

DATE: JAN 2006

CHKD: RAB

DATE: JAN 2006

DRAWN: SLR

DATE: JAN 2006

DISTRIBUTION TECHNOLOGY
SUB-TRANSMISSION LINES
MONOPOLE FOUNDATION CAP &
EARTHING DETAILS FOR PLANTED POLES

D-DT 7857

SET	SHEET	REVISION
1	1	2

1

2

3

4 A4L